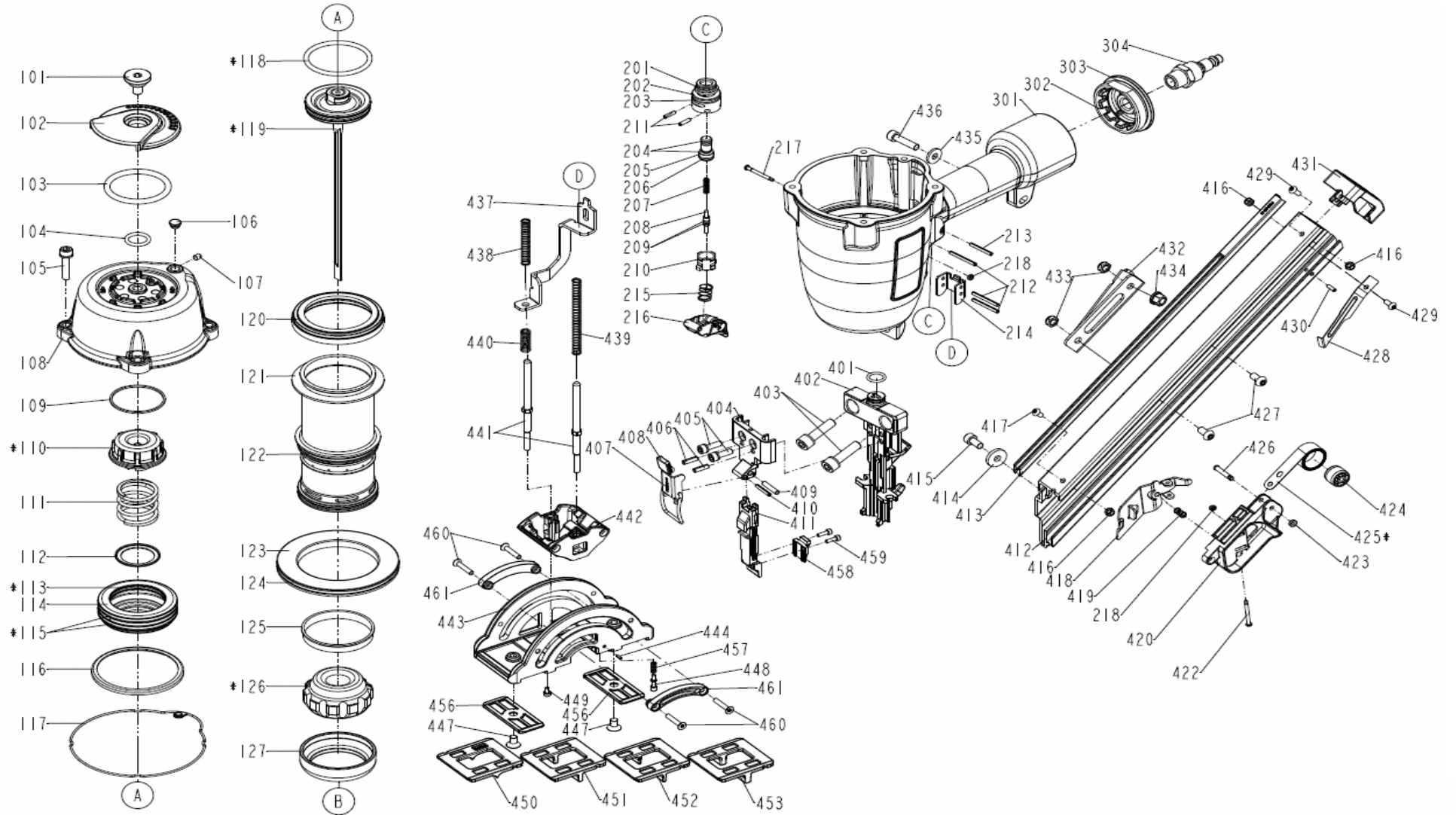


ESSVE EdgeFast

Art No: 713065



ESSVE EdgeFast

Pos	Art. Nr.	Name	Pos	Art. Nr.	Name	Pos	Art. Nr.	Name	Extras:
101	1136B03747021	DEFLECTOR PAD	212		SPRING PIN	429		HALF ROUND HD.HEX.BOLT	
102	1137103747041	DEFLECTOR	213		SPRING PIN	430		SPRING PIN	
103	1132P03700021	MUFFLER ASSY	214		SAFETY GUIDE	431	1139018947011	PROTECTING HOOD COVER	
104	2041106020100	O - RING	215	1137603700011	SPRING	432		POSITIONING SHEET	
105		BOLT ASSY	216	1122407647011	TRIGGER UNIT	433		LOCK NUT	
106		GROMMET	217	1131803747011	TRIGGER PIVOT PIN	434		BOLT CAP	
107		HEX.SOC.HD.SCREW	218	1131D04600011	RETAINER	435		FLAT WASHER	
108		CAP	301		GUN BODY UNIT	436		HEX.SOC.HD.BOLT	
109	1138003747021	GASKET	302	1134603713121	END CAP	437	1133218947011	SAFETY B	
110	1137003700032	SEAL	303	2041108050400	O - RING	438	1133718947021	SAFETY SPRING	
111	1136003700012	COMPRESSION SPRING	304	901147	Swivel AIR PLUG EURO	439	1133718947031	COMPRESSION SPRING 5	
112	1138103700031	WASHER	401		O - RING	440	1133718947011	SAFETY SPRING	
113	2041108050500	O - RING	402		DRIVER GUIDE	441	1133518947011	SAFETY	
114	1136803700051	HD.VALVE PISTON	403		BOLT ASSY	442	1131J18947011	POSITIONING SHEET	
115	2041108070400	O - RING	404	1135218947011	DRIVER GUIDE COVER A	443	1136H18947011	IT3125-D2	
116	1136D03747011	PRESS RING	405	2040100030102	BOLT ASSY	444	2040400030300	SPRING PIN	
117	1130203747051	CYLINDER CAP SEAL	406	2040400070700	SPRING PIN	447	2040103040303	COUNTER SUNK SCREW	
118	2041107060100	O-RING	407	1124418947011	LOCK HANDLE UNIT	448	113CK18947011	POSITIONING SHAFT	
119	1120418900011	DRIVER UNIT	408	1135F10447011	PUSHER CUSHION	449	2040100010302	BOLT ASSY	
120	1139903700021	COLLAR	409	1132900400012	PIN	450	1132618900011	BASE A 0 mm (0 Zero)	
121	1132003700161	CYLINDER	410	2040400051000	SPRING PIN	451	1132618900021	BASE B 3 mm (3/16")	
122	2041106070200	O - RING	411	1135118947011	DRIVER GUIDE COVER	452	1132618900031	BASE C 5 mm (1/8")	
123	1132103700062	CYLINDER SPACER	412	1138918947011	MAGAZINE A	453	1132618900041	BASE D 6 mm (1/4")	
124	2041108100100	O - RING	413	1139618947011	STEEL CHANNEL	456	113BV18900011	LOCATION BLOCK	
125	1132203700021	CYLINDER RING	414		FLAT WASHER	457	1131L03500011	POSITIONING SPRING	
126	1132703700014	BUMPER	415		HEX.SOC.HD.BOLT	458	1135318947011	DRIVER GUIDE COVER B	
127	1138103700021	WASHER	416		LOCK NUT	459	2040101010502	HEX.SOC.HD.BOLT	
201		O - RING	417		HALF ROUND HD.HEX.BOLT	460	2040103021005	COUNTER SUNK SCREW	
202		PLUNGER CAP	418	1136318947012	PUSHER	461	113EA18947011	TRACK	
203		O - RING	419	1136F03747011	SPRING				
204		O - RING	420	1136E08347012	PROTECTING HOOD COVER				
205		VALVE PLUNGER	422	1131804647011	TRIGGER PIVOT PIN				
206		O - RING	423	1135H07900011	PU RETAINER				
207		SPRING	424	1138603700021	ROLLING ELEMENT				
208		PLUNGER	425	1137208300011	SPRING				
209		O - RING	426	1138508347012	ROLL PIN				
210	1137300847011	TRIGGER VALVE HEAD	427		HALF ROUND HD.HEX.BOLT				
211		SPRING PIN	428		STOP NAIL PLATE				

