

RYOBI®

RMT300

ORIGINAL INSTRUCTIONS
TRADUCTION DES INSTRUCTIONS ORIGINALES
ÜBERSETZUNG DER ORIGINALANLEITUNG
TRADUCCIÓN DE LAS INSTRUCCIONES ORIGINALES
TRADUZIONE DELLE ISTRUZIONI ORIGINALI
VERTALING VAN DE ORIGINELE INSTRUCTIES
TRADUÇÃO DAS INSTRUÇÕES ORIGINAIS
OVERSETTELSE AF DE ORIGINALE INSTRUKTIONER
ÖVERSÄTTNING AV DE URSPRUNGLIGA INSTRUKTIONERNA
ALKUPERÄISTEN OHJEIDEN SUOMENNO
OVERSETTELSE AV DE ORIGINALE INSTRUKSJONENE
ПЕРЕВОД ОРИГИНАЛЬНЫХ ИНСТРУКЦИЙ
TŁUMACZENIE INSTRUKCJI ORYGINALNEJ
PŘEKLAD ORIGINÁLNÍCH POKYNŮ
AZ EREDETI ÚTMUTATÓ FORDÍTÁSA
TRADUCEREA INSTRUCȚIUNILOR ORIGINALE
TULKOTS NO ORIGINĀLĀS INSTRUKCIJAS
ORIGINALIŲ INSTRUKCIJŲ VERTIMAS
ORIGINAALJUHENDI TÕLGE
PRIJEVOD ORIGINALNIH UPUTA
PREVOD ORIGINALNIH NAVODIL
PREKLAD ORIGINÁLNYCH POKYNOV
ПРЕВОД ОТ ОРИГИНАЛНИТЕ ИНСТРУКЦИИ
PEREKŁAD ORYGINALNYCH INSTRUKCJI
ORIJ NAL TALIMATLARIN TERCÜMESI
ΜΕΤΑΦΡΑΣΗ ΤΩΝ ΠΡΩΤΟΤΥΠΩΝ ΟΔΗΓΙΩΝ



EN
FR
DE
ES
IT
NL
PT
DA
SV
FI
NO
RU
PL
CS
HU
RO
LV
LT
ET
HR
SL
SK
BG
UK
TR
EL





Important!	It is essential that you read the instructions in this manual before assembling, maintaining and operating the product.
Attention!	Il est essentiel que vous lisiez les instructions contenues dans ce manuel avant d'assembler, d'entretenir et d'utiliser le produit.
Achtung!	Es ist wichtig, dass Sie vor Zusammenbau, Wartung und Benutzung des Produktes die Anweisungen in dieser Anleitung lesen.
¡Atención!	Resulta fundamental que lea este manual de instrucciones antes de realizar el montaje, el mantenimiento y de utilizar este producto
Attenzione!	E' importante leggere le istruzioni contenute nel presente manuale prima di montare il prodotto, svolgere le operazioni di manutenzione sullo stesso e metterlo in funzione.
Let op!	Het is van essentieel belang dat u de instructies in deze gebruiksaanwijzing leest voor u het product monteert, onderhoudt en gebruikt.
Atenção!	É fundamental que leia as instruções deste manual antes da montagem, manutenção e operação do aparelho.
OBS!	Det er vigtigt, at man læser instrukserne i denne brugsanvisning, inden man samler, vedligeholder og betjener produktet.
Observera!	Det är viktigt att du läser instruktionerna i manualen före montering, användning och underhåll av produkten.
Huomio!	On tärkeää, että luet tämän käsikirjan ohjeet ennen tuotteen kokoamista, huoltoa ja käyttöä.
Advarsel!	Det er vigtigt at du leser instruksjonene i denne manualen før sammensetning, vedlikehold og bruk av produktet
Внимание!	Необходимо прочитать инструкции в данном руководстве перед сборкой, обслуживанием и эксплуатацией этого изделия.
Uwaga!	KoniecznIE naleŹy przeczytać instrukcje zawarte w tym podręczniku przed montażem, obsługą oraz konserwacją produktu.
Důležitě upozornění!	Neinstalujte, neprovádějte údržbu ani nepoužívejte tento výrobek dřive, než si přečtete pokyny uvedené v tomto návodu.
Figyelem!	Fontos, hogy a termék összeszerelése, karbantartása és használatá elött elolvassa a kézikönyvben található utasításokat.
Atenție!	Este esențial să citiți instrucțiunile din acest manual înainte de asamblare, efectuarea întreinerii și operarea produsului.
Uzmanību!	Ir svarīgi izlasīt šīs rokasgrāmatas instrukcijas pirms uzstādīšanas, apkopes un preces darbināšanas.
Dėmesio!	Prieš surenkant, prižiūrint ir naudojant gaminį, būtina perskaityti šiam vadove pateiktus nurodymus.
Tähtis!	Enne masina kokkupanekut, hooldamist ja kasutama hakkamist tuleb käesolevas juhendis esitatud juhised kindlasti läbi lugeda.
Upozorenje!	Vrlo je važno da ste prije sklapanja, održavanja i rada s ovim proizvodom pročitali upute u ovom priručniku.
Pomembno!	Pomembno je da pred montažo vzdrževanjem in uporabo tega izdelka preberete navodila v tem priručniku.
Upzornenie!	Je dôležité, aby ste si pred montážou, údržbou a obsluhou produktu prečítali pokyny v tomto návode.
Важно!	Исключительно важно е да прочетете инструкциите в настоящото ръководство, преди да преминете към сглобяване, поддръжка или работа с продукта.
Важливо!	Дуже важливо, щоб ви прочитали інструкції в цьому керівництві перед складанням, обслуговуванням та експлуатацією цієї машини.
Dikkat!	Ürünün montajını, bakımını yapmadan ve ürünün çalıştırmadan önce bu kılavuzda yer alan talimatları okumanız önemlidir.
Προσοχή!	Είναι πολύ σημαντικό να διαβάσετε τις οδηγίες στο παρόν εγχειρίδιο πριν συναρμολογήσετε, συντηρήσετε ή λειτουργήσετε το προϊόν.

Subject to technical modification | Sous réserve de modifications techniques | Technische Änderungen vorbehalten | Bajo reserva de modificaciones técnicas | Con riserva di eventuali modifiche tecniche | Technische wijzigingen voorbehouden | Com reserva de modificações técnicas | Med forbehold for tekniske ændringer | Med förbehåll för tekniska ändringar | Tekniset muutokset varataan | Med forbehold om tekniske endringer | могут быть внесены технические изменения | Z zastrzeżeniem modyfikacji technicznych | Změny technických údajů vyhrazeny | A műszaki módosítás jogát fenntartjuk | Sub rezerva modifiцаiilor tehnice | Paturam tiesības mainīt tehnisko raksturlielumus | Pasiilikant teise daryti techninius pakeitimus | Tehnilised muudatused võimalikud | Podloženo tehničkim promjenama | Tehnične spremembe dopuščene | Právo na technické zmeny je vyhradené | Подлежи на технически модификации | Є об'єктом для технічних змін | Teknik deęişiklik hakkı saklıdır | Υπό την επιφύλαξη τεχνικών τροποποιήσεων



Safety, performance, and dependability have been given top priority in the design of your multi-tool.

INTENDED USE

The multi-tool is intended to be used only by adults who have read and understood the instructions and warnings in this manual and can be considered responsible for their actions.

The multi-tool is intended to be used:

- for sanding and finishing metal, wood, plastic, or similar materials using the sanding pad with the shaped abrasive sheets provided
- for scraping and plunge-cutting into non-ferrous metal, wood, plastic, plasterboard, etc. using the provided metallic cutting blades
- for cutting holes in walls to accommodate switches or power sockets
- for removing grouting from between ceramic tiles

The multi-tool is intended to be operated indoors in dry, well illuminated and adequately ventilated conditions.

The multi-tool is not intended to be used on wet materials or surfaces.

Do not use the product in any way other than those stated for intended use.

⚠ WARNING

Read all safety warnings, instructions, illustrations and specifications provided with this power tool.

Failure to follow all instructions listed below may result in electric shock, fire and/or serious injury.

Save all warnings and instructions for future reference.

The term "power tool" in the warnings refers to your mains-operated (corded) power tool or battery-operated (cordless) power tool.

MULTI-TOOL SAFETY WARNINGS

- Always hold power tools by insulated gripping surfaces only. The cutting accessory may contact hidden wiring or its own cord. Cutting accessory contacting a "live" wire may make exposed metal parts of the power tool "live" and could give the operator an electric shock.
- Always wear safety goggles while operating the tool. Wear a dust mask when dust is produced.
- The product will restart automatically if stalled.

⚠ WARNING

Dust from certain paints, coatings, and materials may cause irritation or allergic reactions. Dust from wood such as oak, beech, MDF, and others are carcinogenic. Only qualified specialists should be allowed to use the product on materials containing asbestos.

⚠ WARNING

The product should never be connected to a power supply when assembling parts, making adjustments, cleaning, performing maintenance, or when not using it. Disconnecting the product from the power supply will prevent accidental starting that could cause serious injury.

- Keep mains lead clear from the working range of the power tool. Always lead the cable away and behind you.
- When working in walls, ceilings or floors, take care to avoid electric cables and gas or water pipes.

⚠ WARNING

Metallic accessories will become hot during use and could result in skin burns if contacted by the operator. Wear gloves when changing accessories. Take care when setting down the tool between operations to prevent damage or injury.

- Do not use cutting accessories which are damaged, cracked or do not fit securely to the product.
- Whenever possible, fit the dust collection accessory provided and connect it to a vacuum device to remove dust from the work area and help prevent potential respiratory irritation and damage to the tool.
- The multi-tool creates vibrations which move the accessory. The vibrations may cause discomfort if the product is operated for long periods of time. Take a rest often, especially if you feel discomfort in the arm, wrist, or fingers. Choose a speed setting which will get the work completed efficiently. Read the Residual Risks and Risk Reduction sections for more information on vibration-related injury.

ADDITIONAL SAFETY WARNINGS

- Switch the device off immediately if the insertion tool stalls! Do not switch the device on again while the insertion tool is stalled, as doing so could trigger a sudden recoil with a high reactive force. Determine why the insertion tool stalled and rectify this, paying heed to the safety instructions.
 - The possible causes may be:
 - it is tilted in the workpiece to be machined
 - it has pierced through the material to be machined
 - the power tool is overloaded

RESIDUAL RISKS

Even when the product is used as prescribed, it is still impossible to completely eliminate certain residual risk factors. The following hazards may arise and the operator should pay special attention to avoid the following:

- Injury caused by dust
 - While using the product, considerable dust and fine particles will be produced. Use the dust collection device and connect a dust extraction vacuum during use.

- Wear eye protection at all times.
- Wear respiratory protection masks containing filters appropriate to the materials being worked. Ensure adequate workplace ventilation.
- Do not eat, drink or smoke in the work area.
- Injury caused by noise and vibration
 - Wear ear protection.
 - Do not operate the product for long periods of time. See “Risk reduction”.
- Risk of electrocution if electric cables are cut
 - Always hold the product by designated handles. Do not touch the cutting blades or metal parts of the product.

RISK REDUCTION

It has been reported that vibrations from handheld tools may contribute to a condition called Raynaud’s Syndrome in certain individuals. Symptoms may include tingling, numbness and blanching of the fingers, usually apparent upon exposure to cold. Hereditary factors, exposure to cold and dampness, diet, smoking, and work practices are all thought to contribute to the development of these symptoms. There are measures that can be taken by the operator to possibly reduce the effects of vibration:

- Keep your body warm in cold weather. When operating the product, wear gloves to keep the hands and wrists warm. It is reported that cold weather is a major factor contributing to Raynaud’s Syndrome.
- After each period of operation, exercise to increase blood circulation.
- Take frequent work breaks. Limit the amount of exposure per day.

If you experience any of the symptoms of this condition, immediately discontinue use and see your doctor about these symptoms.

⚠ WARNING

Injuries may be caused, or aggravated, by prolonged use of a tool. When using any tool for prolonged periods, ensure you take regular breaks.

KNOW YOUR PRODUCT

See page 109.

1. Blade clamp
2. Blade lock/ release lever
3. Head angle adjusting release button
4. Plunge cut blade
5. Scraper blade
6. Grout blade
7. Flush cut blade/ metal blade
8. Sanding pad
9. Sandpaper
10. Dust port
11. Depth/ height gauge
12. Adaptor */ **
13. Speed control
14. On/ off switch
15. Handle, insulated gripping surface

R&F side

*Compatible with earlier generations of RYOBI, RIDGID, or AEG accessories. RYOBI is a trademark used under license from RYOBI Limited. RIDGID is a trademark of Emerson Electric Co. AEG is a registered trademark used under license from AB Electrolux (publ).

**Compatible with FEIN accessories. FEIN is a registered trademark of C. & E. Fein GmbH.

D side

**Compatible with DREMEL accessories. DREMEL is a trademark of Robert Bosch Tool Corporation.

OPERATION

The product is supplied with an extra adapter for use with other brands of cutting, scraping, and sanding accessories. Do not use the adapter with the latest generation of RYOBI accessories supplied with your tool. For example, use the adapter with the letters “R&F” facing outwards if you wish to use earlier generation RYOBI, RIDGID or AEG accessories. The adapter may be turned over for use with other brands of accessories.

- Secure workpieces that can move with a clamp to prevent movement during sanding or cutting operations. Do not hold the workpiece by hand. An inadvertent slip while operating the product may cause serious personal injury.
- When making a plunge cut into soft materials like wood and plasterboard using the cutting accessory, gradually bring the vibrating blade to the workpiece. Do not push the vibrating blade hard into the material to be cut. Let the product do the work and concentrate on keeping the product and the cutting accessory stable in the position you wish to make the cut.
- Use the depth/ height gauge to help set your depth of cut or prevent cutting too deeply into the material.
- Take extra care when cutting non-ferrous metals. The vibrating cutting accessory may skip around before beginning the cut. If necessary, drill some holes along the line to be cut before you start cutting.
- If the cutting accessories become jammed in the workpiece, switch off the product and disconnect from the power supply. If the cutting accessory cannot be removed easily, allow the cutting accessories to adequately cool before releasing the cutting accessory from the product. Wear gloves and use hand tools, such as pliers or wrench, to remove the cutting accessory from the workpiece.

MAINTENANCE

⚠ WARNING

The product should never be connected to a power supply when assembling parts, making adjustments, cleaning, performing maintenance, or when the product is not in use. Disconnecting the product will prevent accidental starting that could cause serious injury.

⚠ WARNING

When servicing, use only original manufacturer's replacement parts. Use of any other parts may create a hazard or cause product damage.

If the power supply cord is damaged, it must be replaced only by the manufacturer or by an authorised service centre to avoid a safety hazard. Contact authorised service centre.

⚠ WARNING

For greater safety and reliability, all repairs should be performed by an authorised RYOBI service centre.

GENERAL

Avoid using solvents when cleaning plastic parts. Most plastics are susceptible to various types of commercial solvents and may be damaged by their use. Use clean cloths to remove dirt, carbon dust, etc.

⚠ WARNING

Do not, at any time, let brake fluids, gasoline, petroleum-based products, and penetrating oils, come in contact with plastic parts. They contain chemicals that can damage, weaken, or destroy plastic.

The dust from plaster and wall board is abrasive and may cause premature failure of the product if it is allowed to enter the motor area. Always use the dust extraction accessory connected to a vacuum. Thoroughly clean the product after use by using a brush and a vacuum. Take care not to push dirt into the ventilation openings. Beware of using compressed air to clean the product because dust and grit can cause serious eye injury.

LUBRICATION

All of the bearings in the product are lubricated with a sufficient amount of high grade lubricant for the life span of the product under normal operating conditions. Therefore, no further lubrication is required.

ENVIRONMENTAL PROTECTION



Recycle raw materials instead of disposing of as waste. The machine, accessories, and packaging should be sorted for environment-friendly recycling.

SYMBOLS ON THE PRODUCT



Safety Alert

V Volts

Hz Hertz

~ Alternating current

W Watts

n_o No-load speed

min⁻¹ Revolutions or reciprocations per minute



CE Conformity



EurAsian Conformity Mark



Ukrainian mark of conformity



Class II tool
Double insulation



Wood – Plunge and flush cuts



Non-ferrous metal – Plunge and flush cuts



Plastic – Plunge and flush cuts



Drywall – Plunge and flush cuts



Concrete – Tile grout removal



Tile adhesive removal



Please read the instructions carefully before starting the product.



Wear eye, hearing and respiratory protection.



Waste electrical products should not be disposed of with household waste. Please recycle where facilities exist. Check with your local authority or retailer for recycling advice.

SYMBOLS IN THIS MANUAL



Note



Connect to the power supply.



Disconnect from the power supply.



Parts or accessories sold separately



Lock



Unlock



Speed, minimum



Speed, maximum

The following signal words and meanings are intended to explain the levels of risk associated with this product:

 **DANGER**

Indicates an imminently hazardous situation, which, if not avoided, will result in death or serious injury.

 **WARNING**

Indicates a potentially hazardous situation, which, if not avoided, could result in death or serious injury.

 **CAUTION**

Indicates a potentially hazardous situation, which, if not avoided, may result in minor or moderate injury.

CAUTION

(Without Safety Alert Symbol) Indicates a situation that may result in property damage.

Votre outil multifonctions a été conçu en donnant priorité à la sécurité, à la performance et à la fiabilité.

UTILISATION PRÉVUE

L'outil multifonctions est destiné à n'être utilisé que par des adultes ayant lu et compris les instructions et avertissements présents dans ce manuel, et pouvant être considérés responsables de leurs actions.

L'outil multifonctions est conçu pour être utilisé:

- pour le ponçage et le polissage du métal, du bois, du plastique, ou matériaux similaires à l'aide des tampons abrasifs fournis
- pour le décapage et la coupe plongeante des métaux non-ferreux, du bois, du plastique, des plaques de plâtre, etc. à l'aide des lames de coupe en métal fournies
- pour la découpe de trous dans les murs destinés à recevoir des prises ou des interrupteurs
- pour retirer les joints de carrelage

L'outil multifonctions est destiné à être utilisé à l'intérieur en conditions sèches, avec un bon éclairage et une bonne ventilation.

Ce produit n'est pas conçu pour être utilisé sur des matériaux et surfaces humides.

Ne vous servez pas de ce produit pour d'autres utilisations que celles décrites au chapitre des utilisations prévues.

⚠ AVERTISSEMENT

Lisez tous les avertissements de sécurité, les instructions, les illustrations et les spécifications fournis avec cet outil électrique. Ne pas suivre les instructions énumérées ci-dessous peut provoquer une décharge électrique, un incendie et/ou une blessure sérieuse.

Conservez tous les avertissements et toutes les instructions pour pouvoir vous'y reporter ultérieurement.

AVERTISSEMENTS DE SÉCURITÉ RELATIFS À L'OUTIL MULTIFONCTIONS

- Maintenez l'outil électrique uniquement par ses surfaces de préhension isolées. L'accessoire de coupe est susceptible d'entrer en contact avec des fils électriques cachés ou avec son propre câble d'alimentation. Un accessoire de coupe qui entre en contact avec un câble « sous tension » est susceptible de véhiculer le courant électrique vers les parties métalliques de l'outil et exposer l'opérateur à une décharge électrique.
- Portez toujours des lunettes de sécurité lorsque vous utilisez l'outil. Portez un masque antipoussière lorsque de la poussière est produite.
- Le produit redémarrera automatiquement s'il a calé.

⚠ AVERTISSEMENT

La sciure en provenance de certaines peintures, vernis et matériaux est susceptible de provoquer des irritations ou des réactions allergiques au système respiratoire. La sciure de bois tels que le chêne, le hêtre, l'aggloméré et autres est cancérigène. Seuls des spécialistes qualifiés sont autorisés à utiliser le produit sur des matériaux contenant de l'amiante.

⚠ AVERTISSEMENT

Le produit ne doit jamais être branché à une source de courant lorsque vous-y montez des pièces, lorsque vous effectuez des réglages, lorsque vous le nettoyez, lorsque vous l'entretenez, ou lorsque vous ne l'utilisez pas. Le fait de débrancher le produit évitera toute mise en marche accidentelle susceptible de provoquer de graves blessures.

- Le câble d'alimentation doit toujours se trouver en dehors du champ d'action de la machine. Faites toujours cheminer le câble derrière vous.
- Lorsque vous travaillez sur des murs, des plafonds ou des sols, prenez garde de ne pas entrer en contact avec des câbles électriques ou des tuyaux d'eau ou de gaz.

⚠ AVERTISSEMENT

Les accessoires métalliques deviennent chauds en cours d'utilisation, ce qui constitue un risque de brûlure pour l'opérateur en cas de contact. Portez des gants lorsque vous changez d'accessoire. Prenez garde lorsque vous posez l'outil entre deux opérations de ne pas causer de dommages ou de blessures.

- N'utilisez pas d'accessoires de coupe qui seraient endommagés, fêlés ou qui ne seraient pas fermement mis en place sur le produit.
- Chaque fois que cela est possible, mettez en place l'accessoire de collecte des poussières fourni et reliez-le à un aspirateur afin de recueillir la poussière de la zone de travail et ainsi aider à éviter les éventuelles irritations respiratoires et les dommages subis par l'outil.
- Le produit vibre beaucoup en cours d'utilisation et peut créer une gêne s'il est utilisé pendant de longues périodes de temps. Pour diminuer la gêne et éviter toute blessure, notamment au niveau des bras, des poignées et des doigts, faites des pauses fréquentes. Choisissez un réglage de vitesse qui permette de mener la tâche à bien de façon efficace. Lisez les chapitres « Risques résiduels » et « Réduction des risques » pour plus d'informations concernant les blessures causées par les vibrations.

INSTRUCTIONS DE SÉCURITÉ ADDITIONNELLES

- En cas de blocage de l'outil d'insertion, arrêtez immédiatement l'appareil. Ne réactivez pas l'appareil tant que l'outil d'insertion est bloqué. Ceci risquerait de déclencher un recul soudain, avec une force

réactive élevée. Identifiez la raison du blocage de l'outil d'insertion et corrigez le problème, en tenant compte des instructions de sécurité.

- Les causes possibles peuvent être:
 - il est en biais dans la pièce à travailler
 - il a traversé la pièce à travailler
 - le produit est en surcharge

RISQUES RÉSIDUELS

Même lorsque le produit est utilisé selon les prescriptions, il reste impossible d'éliminer totalement certains facteurs de risque résiduels. Les dangers suivants risquent de se présenter en cours d'utilisation et l'utilisateur doit prêter particulièrement garde aux points suivants:

- Blessures dues à la poussière
 - Lors de l'utilisation du produit, une quantité considérable de poussière et de particules fines sera produite. Utilisez le dispositif de collecte des poussières ou raccordez un aspirateur d'extraction des poussières lorsque vous utilisez le produit.
 - Portez en permanence une protection oculaire.
 - Portez un masque de protection respiratoire adapté aux matériaux coupés. Assurez une ventilation correcte à l'espace de travail.
 - Ne mangez pas, ne buvez pas et ne fumez pas dans l'espace de travail.
- Blessures causées par le bruit et les vibrations
 - Portez une protection auditive
 - N'utilisez pas le produit de façon prolongée. Voir «Réduction Des Risques».
- Risque d'électrocution en cas de section de câbles électriques

Tenez toujours le produit par les poignées destinées à cet usage. Ne touchez pas les lames de coupe ou les parties métalliques du produit.

RÉDUCTION DES RISQUES

Il a été reporté que les vibrations engendrées par les outils tenus à la main peuvent contribuer à l'apparition d'un état appelé le syndrome de Raynaud chez certaines personnes. Les symptômes peuvent comprendre des fourmillements, un engourdissement et un blanchiment des doigts, généralement par temps froid. Des facteurs héréditaires, l'exposition au froid et à l'humidité, le régime alimentaire, le tabagisme et les habitudes de travail peuvent contribuer au développement de ces symptômes. Certaines mesures peuvent être prises par l'utilisateur pour aider à réduire les effets des vibrations:

- Gardez votre corps au chaud par temps froid. Lorsque vous utilisez l'appareil, portez des gants afin de garder vos mains et vos poignets au chaud. Le temps froid est considéré comme un facteur contribuant très largement à l'apparition du syndrome de Raynaud.
- Après chaque session de travail, pratiquez des exercices qui favorisent la circulation sanguine.
- Faites des pauses fréquentes. Limitez la quantité d'exposition journalière.

Si vous ressentez l'un des symptômes associés à ce

syndrome, arrêtez immédiatement le travail et consultez votre médecin pour lui en faire part.

AVERTISSEMENT

L'utilisation prolongée d'un outil est susceptible de provoquer ou d'aggraver des blessures. Assurez-vous de faire des pauses de façon régulière lorsque vous utilisez tout outil de façon prolongée.

APPRENEZ À CONNAÎTRE VOTRE PRODUIT

Voir page 109.

1. Bride de lame
2. Levier de verrouillage / libération de lame
3. Bouton de réglage de l'angle de la tête
4. Lame pour coupe plongeante
5. Lame grattoir
6. Lame de descellement
7. Lame de coupe à fleur / lame métallique
8. Patin
9. Papier de verre
10. Sortie de poussière
11. Jauge de profondeur/hauteur
12. Adaptateur */ **
13. Contrôle de la vitesse
14. Interrupteur marche/arrêt
15. Poignée, surface de préhension isolée

Côté R&F

Compatible avec les générations précédentes d'accessoires RYOBI, RIDGID ou AEG. RYOBI est une marque commerciale, utilisée sous licence de RYOBI Limited. RIDGID est une marque commerciale d'Emerson Electric Co. AEG est une marque déposée, utilisée sous licence d'AB Electrolux (publ).

*Compatible avec les accessoires FEIN. FEIN est une marque déposée de C. & E. Fein GmbH.

Côté D

**Compatible avec les accessoires DREMEL. DREMEL est une marque commerciale de Robert Bosch Tool Corporation.

UTILISATION

Le produit est fourni avec un adaptateur supplémentaire permettant d'utiliser les accessoires de coupe, de décapage et de ponçage d'autres fabricants. N'utilisez pas l'adaptateur avec les accessoires RYOBI de dernière génération fournis avec votre outil. Par exemple, utilisez l'adaptateur avec les lettres «R&F» dirigées vers l'extérieur si vous désirez utiliser des accessoires RYOBI, RIDGID ou AEG d'ancienne génération. L'adaptateur peut être retourné pour être utilisé avec d'autres marques d'accessoires.

- Bloquez les pièces à usiner avec un serre-joint pour éviter qu'elles ne bougent en cours de ponçage ou de coupe. Ne tenez jamais une pièce à la main. Un mouvement involontaire en cours d'opération peut entraîner de graves blessures.
- Lorsque vous effectuez une coupe plongeante dans un matériau tendre comme du bois ou une plaque de plâtre avec l'accessoire de coupe, approchez



progressivement la lame vibrante de la pièce à couper. Ne poussez pas la lame vibrante trop fort dans le matériau à couper. Laissez le produit faire le travail et concentrez-vous sur la stabilité du produit et de la lame de coupe dans la direction que vous désirez donner à la coupe.

- Utilisez la jauge de profondeur/hauteur de coupe pour aider à obtenir votre profondeur de coupe ou pour aider à éviter de pénétrer trop profondément dans le matériau.
- Redoublez d'attention lorsque vous coupez des matériaux non-ferreux. La lame de coupe vibrante est susceptible de déraiper avant que le coupe ne soit entamée. Si nécessaire, percez quelques trous le long de la ligne de coupe désirée afin d'aider le travail de la lame de coupe.
- Si l'accessoire de coupe se coince dans la pièce à couper, arrêtez le produit et débranchez-le de la source de courant. Si l'accessoire de coupe ne peut pas être retiré facilement, laissez-le refroidir suffisamment avant de le retirer du produit. Portez des gants et utilisez des outils à main, tels que des pinces et des clés, pour retirer l'accessoire de coupe de la pièce à couper.

ENTRETIEN

⚠ AVERTISSEMENT

Le produit ne doit jamais être branché à une source de courant lorsque vous y montez des pièces, lorsque vous effectuez des réglages, lorsque vous le nettoyez, lorsque vous l'entretenez, ou lorsque vous ne l'utilisez pas. Le fait de débrancher le produit évitera toute mise en marche accidentelle susceptible de provoquer de graves blessures.

⚠ AVERTISSEMENT

N'effectuez les opérations de réparation et d'entretien qu'avec des pièces détachées d'origine constructeur. L'utilisation de toute autre pièce est susceptible de présenter un danger ou d'endommager votre outil.

Si le câble d'alimentation est endommagé, il ne doit être remplacé que par le fabricant ou par un service après-vente agréé, afin d'éviter tout danger. Contactez un service après-vente agréé.

⚠ AVERTISSEMENT

Pour plus de sécurité et de fiabilité, toutes les réparations doivent être effectuées par un service après-vente agréé RYOBI.

GÉNÉRALITÉS

Évitez d'utiliser des solvants pour nettoyer les parties en plastique. La plupart des plastiques sont susceptibles d'être endommagés par les solvants disponibles dans le commerce. Utilisez un chiffon propre pour essuyer les impuretés, la poussière, etc.

⚠ AVERTISSEMENT

Les éléments en plastique ne doivent jamais entrer en contact avec du liquide de frein, de l'essence, des produits à base de pétrole, des huiles pénétrantes, etc. Ces produits chimiques contiennent des substances qui peuvent endommager, fragiliser ou détruire le plastique.

La poussière de plâtre et des panneaux muraux est abrasive et peut entraîner un dysfonctionnement prématuré du produit si elle pénètre dans le moteur. Utilisez toujours l'accessoire d'extraction des poussières relié à un aspirateur. Nettoyez soigneusement le produit après utilisation à l'aide d'un pinceau et d'un aspirateur. Prenez garde de ne pas pousser la poussière dans les ouvertures de ventilation. N'utilisez pas d'air comprimé pour retirer la poussière du produit; la saleté et la poussière soufflées par de l'air comprimé peuvent causer de graves blessures oculaires.

LUBRIFICATION

Tous les roulements de ce produit sont lubrifiés avec une quantité suffisante d'huile de haute qualité pour toute sa durée de vie sous conditions d'utilisation normales. Par conséquent, aucune lubrification supplémentaire n'est nécessaire.

PROTECTION DE L'ENVIRONNEMENT



Recyclez les matières premières au lieu de les jeter avec les ordures ménagères. Pour protéger l'environnement, l'outil, les accessoires et les emballages doivent être triés.

SYMBOLES APPLIQUÉS SUR LE PRODUIT



Alerte de Sécurité

V

Volts

Hz

Hertz

~

Courant alternatif

W

Watts

n°

Vitesse à vide

min⁻¹

Nombre de tours ou de mouvements par minute



Conformité CE



Marque de qualité EurAsian

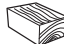




Marque de conformité ukrainienne



Équipement à isolation de classe II
Double isolation



-  Bois -- Coupes plongeantes et à fleur
-  Métaux non-ferreux -- Coupes plongeantes et à fleur
-  Plastique -- Coupes plongeantes et à fleur
-  Cloison de plâtre -- Coupes plongeantes et à fleur
-  Béton -- Retrait de joint de carrelage
-  Retrait de colle à carrelage
-  Veuillez lire attentivement les instructions avant de mettre l'appareil en marche.
-  Portez une protection oculaire, auditive et respiratoire.
-  Les produits électriques hors d'usage ne doivent pas être jetés avec les ordures ménagères. Recyclez-les par l'intermédiaire des structures disponibles. Contactez les autorités locales ou votre distributeur pour vous renseigner sur les conditions de recyclage.

⚠ DANGER

Imminence d'un danger qui, si l'on n'y prend garde, peut entraîner la mort ou de graves blessures.

⚠ AVERTISSEMENT

Situation potentiellement dangereuse qui, si l'on n'y prend garde, peut entraîner la mort ou des blessures graves.

⚠ ATTENTION

Situation potentiellement dangereuse qui, si l'on n'y prend garde, peut entraîner des blessures moyennes ou légères.

ATTENTION

(Sans symbole de sécurité) Indique une situation pouvant provoquer des dommages matériels.

ICÔNES DE CE MANUEL



Remarque



Brancher au secteur.



Débrancher du secteur.



Pièces détachées et accessoires vendus séparément



Verrouillage



Déverrouillage



Vitesse, minimum



Vitesse, maximum

Les symboles suivants, et les noms qui leur sont associés, permettent d'expliquer les différents niveaux de risques liés à l'utilisation de cet outil.

Sicherheit, Leistung und Zuverlässigkeit hatten oberste Priorität bei der Entwicklung Ihres Multitools.

BESTIMMUNGSGEMÄSSE VERWENDUNG

Dieses Multitool ist nur für den Gebrauch durch Erwachsene vorgesehen, die die Bedienungsanleitung gelesen und verstanden haben und als verantwortlich für ihre Handlungen erachtet werden können.

Das Multitool ist vorgesehen zum:

- Schleifen und Bearbeiten von Metall, Holz, Kunststoff oder ähnliche Materialien mit dem Schleifpad und den mitgelieferten, geformten Schleifpapieren.
- Schaben und Tauchschneiden in Buntmetalle, Holz, Kunststoff, Gipskarton usw. mit den mitgelieferten Schneidklingen.
- Schneiden von Löchern für Schalter oder Steckdosen in Wänden
- Entfernen von Fugen zwischen Keramikfliesen

Das Multitool ist für den Innengebrauch bei trockener, gut beleuchtete und ausreichend belüfteter Umgebung vorgesehen

Das Produkt ist nicht für den Einsatz an nassen Materialien oder Flächen geeignet.

Benutzen Sie das Produkt nicht für andere Aufgaben, als die genannten bestimmungsgemäßen Verwendungen.

MULTITOOL SICHERHEITSWARNUNGEN

- Halten Sie das Produkt nur an isolierten Flächen. Das Schneidwerkzeug kann versteckte Kabel oder das eigene Stromkabel berühren. Der Kontakt des Einsatzwerkzeugs mit einer spannungsführenden Leitung kann auch metallene Geräteteile unter Spannung setzen und zu einem elektrischen Schlag führen.
- Tragen Sie immer eine Sicherheitsbrille, wenn Sie das Werkzeug benutzen. Tragen Sie eine Staubmaske, wenn Staub entsteht.
- Das Produkt läuft automatisch wieder an nachdem es abgewürgt wurde.

⚠ WARNUNG

Staub von bestimmten Farben, Beschichtungen und Materialien können Irritationen oder allergische Reaktionen der Atemwege verursachen. Staub von Holz wie Eiche, Buche, Faserstoffplatten und ähnlichen Materialien kann krebserregend sein. Arbeiten die asbesthaltige Materialien umfassen sollten nur von qualifizierten Spezialisten durchgeführt werden.

⚠ WARNUNG

Das Produkt sollte niemals an das Stromnetz angeschlossen sein, wenn Sie Teile zusammenbauen, Einstellungen vornehmen, Reinigen, Wartungsarbeiten durchführen, oder wenn das Produkt nicht benutzt wird. Trennen des Produktes verhindert ein unbeabsichtigtes Einschalten, das schwere Verletzungen verursachen könnte.

- Halten Sie das Kabel stets vom Wirkungsbereich der Maschine fern. Führen Sie das Kabel immer von sich und hinter Ihnen weg.
- Achten Sie beim Arbeiten an Wänden, Decken oder Böden darauf, keine elektrischen Kabel oder Gas- oder Wasserleitungen zu treffen.

⚠ WARNUNG

Zubehörteile aus Metall werden bei der Benutzung heiß und können zu Hautverbrennungen führen, wenn der Benutzer sie berührt. Tragen Sie Handschuhe beim Wechseln von Zubehörteilen.

Seien Sie vorsichtig, wenn Sie das Werkzeug zwischendurch ablegen, um Schäden und Verletzungen zu verhindern.

- Verwenden Sie kein beschädigtes, gerissenes Schneid-Zubehör oder Zubehör das nicht sicher an das Produkt passt.
- Wann immer möglich, montieren Sie die Staubabsaugung und schließen sie an einen Staubsauger an, um den Staub aus dem Arbeitsbereich zu entfernen und mögliche Atem-Irritationen und Schäden des Werkzeugs zu vermeiden.
- Das Multitool erzeugt Schwingungen die das Einsatzwerkzeug bewegen. Die Vibrationen können Unwohlsein verursachen, wenn das Produkt für längere Zeit benutzt wird. Machen Sie öfters eine Pause, besonders, wenn Sie Unbehagen in Armen, Handgelenken oder Fingern verspüren. Wählen Sie eine Geschwindigkeit, die ausreicht, um die Arbeit effizient zu erledigen. Lesen Sie den Abschnitt Restrisiken und Risikovermeidung für weitere Informationen über vibrationsbedingte Verletzungen.

ZUSÄTZLICHE SICHERHEITSWARNUNGEN

- Schalten Sie das Gerät sofort ab, wenn das Einsatzwerkzeug blockiert. Schalten Sie das Gerät nicht erneut ein, während das Einsatzwerkzeug blockiert, um einen plötzlichen Rückstoß mit hoher Reaktionskraft zu verhindern. Stellen Sie die Ursache des Blockierens des Einsatzwerkzeugs fest und beheben Sie das Problem unter Beachtung der Sicherheitshinweise.
- Die möglichen Ursachen können sein:
 - Es ist im zu bearbeitenden Werkstück verkantet;
 - es hat das zu bearbeitende Werkstück durchdrungen;
 - das elektrisch betriebene Werkzeug ist überlastet.

RESTRISIKEN

Sogar wenn das Produkt wie vorgeschrieben benutzt wird, ist es unmöglich ein gewisses Restrisiko vollständig auszuschließen. Die folgenden Gefahren können bei der Benutzung entstehen, und der Benutzer sollte besonders auf folgende Punkte achten:

- Durch Staub verursachte Verletzungen.
 - Bei der Benutzung des Produktes entstehen beträchtliche Mengen Staub und feiner Teilchen. Verwenden Sie die Staubsammelvorrichtung oder schließen eine Staubabsaugung an, wenn Sie das Produkt bedienen.
 - Tragen Sie immer einen Augenschutz.
 - Tragen Sie eine für das zu bearbeitende Material geeignete Atemschutzmaske mit Filter. Sorgen Sie für ausreichende Belüftung des Arbeitsbereichs.
 - Essen, trinken oder rauchen Sie nicht in dem Arbeitsbereich.
- Verletzungen durch Lärm und Vibration
 - Gehörschutz tragen
 - Benutzen Sie das Produkt nicht für lange Zeiträume. Siehe "Risikoverringerung".
- Gefahr von Stromschlag, wenn Stromkabel zertrennt werden.

Halten Sie das Produkt immer an den vorgesehenen Griffen. Berühren Sie nicht die Schneidklingen oder Metallteile des Produktes.

RISIKOVERRINGERUNG

Vibrationen von in der Hand gehaltenen Werkzeugen können bei einigen Personen zu einem Zustand, der Raynaud-Syndrom genannt wird, führen. Symptome sind u.a. Kribbeln, Taubheitsgefühl und episodische Weißfärbung der Finger und treten normalerweise bei Kälte auf. Man geht davon aus, dass ererbte Faktoren, Kälte und Feuchtigkeit, Essgewohnheiten, Rauchen und Arbeitsweise zur Entwicklung dieser Symptome beitragen. Der Anwender kann Maßnahmen ergreifen, um die Auswirkungen der Vibrationen möglicherweise zu verringern:

- Halten Sie den Körper bei Kälte warm. Tragen Sie beim Betrieb des Geräts Handschuhe, um Hände und Handgelenke warm zu halten. Berichten zu Folge ist kaltes Wetter ein wesentlicher Faktor, der zum Raynaud Syndrom beiträgt.
- Betätigen Sie sich nach jedem Einsatz körperlich, um den Blutkreislauf zu steigern.
- Machen Sie regelmäßig Pausen. Beschränken Sie die Beanspruchung pro Tag.

Sollten bei Ihnen eines der zuvor beschriebenen Symptome / Zustände auftreten, stellen Sie unverzüglich den Betrieb ein und suchen Sie bezüglich der Symptome einen Arzt auf.

⚠️ WARNUNG

Verletzungen können durch lange Benutzung eines Werkzeugs entstehen oder verschlimmert werden. Machen Sie regelmäßig Pause, wenn Sie ein Werkzeug für lange Zeit benutzen.

MACHEN SIE SICH MIT IHREM PRODUKT VERTRAUT

Siehe Seite 109.

1. Werkzeugklemmung
2. Werkzeugverriegelung- / Entriegungshebel
3. Entriegelungsknopf für die Winkerverstellung
4. Sägeblatt für Tauchschnitt
5. Schaber
6. Fugenklinge
7. Sägeblatt für bündiges sägen / Metallsägeblatt
8. Schleifplatte
9. Sandpapier
10. Absaugadapter
11. Tiefen-/Höhenanschlag
12. Adapter * / **
13. Drehzahlregelung
14. Ein-/Ausschalter
15. Handgriff, isolierte Grifffläche

R&F Seite

*Mit den früheren Zubehörreihen der Firmen RYOBI, RIDGID und AEG kompatibel. RYOBI ist eine von Ryobi Limited lizenzierte Handelsmarke. RIDGID ist eine Handelsmarke von Emerson Electric Co. AEG ist eine registrierte von AB Electrolux (publ) lizenzierte Handelsmarke.

**Kompatibel mit Zubehör von FEIN. FEIN ist eine Handelsmarke der C. & E. Fein GmbH.

D Seite

**Kompatibel mit Zubehör von DREMEL. DREMEL ist eine Handelsmarke der Robert Bosch Tool Corporation.

BETRIEB

Das Produkt wird mit einem zusätzlichen Adapter geliefert, um Zubehör zum Schneiden, Schaben und Schleifen anderer Marken einsetzen zu können. Benutzen Sie den Adapter nicht mit der neuesten Generation von RYOBI Zubehör, das mit Ihrem Werkzeug geliefert wurde. Zum Beispiel, benutzen Sie den Adapter mit den Buchstaben "R&F" nach außen gerichtet, wenn Sie frühere Generationen von RYOBI, RIDGID oder AEG Zubehör benutzen. Der Adapter kann zur Benutzung mit anderen Zubehörmarken umgedreht werden.

- Befestigen Sie das Werkstück mit einer Klemme, um Bewegung beim Schleifen oder Sägen zu verhindern. Halten Sie ein Werkstück niemals mit der Hand. Ein versehentlicher Ausrutscher während Sie das Produkt benutzen kann schwere Verletzungen verursachen.
- Wenn Sie einen Tauchschnitt in weichem Material wie Holz und Gipskarton mit den Sägezubehör durchführen, führen Sie das vibrierende Sägeblatt

langsam an das Werkstück heran. Drücken Sie das vibrierende Sägeblatt nicht fest in das zu schneidende Material. Lassen Sie das Produkt die Arbeit machen und konzentrieren Sie sich darauf das Produkt und das Sägeblatt dort stabil zu halten, wo Sie den Schnitt machen möchten.

- Benutzen Sie den Tiefen-/Höhenanschlag, um die Schnitttiefe einzustellen oder zu verhindern, dass Sie zu tief in das Material schneiden.
- Seien Sie besonders vorsichtig, wenn Sie in Buntmetall sägen. Die vibrierende Klinge kann hin und her springen, bevor Sie anfangen zu sägen. Wenn erforderlich, bohren Sie einige Löcher entlang der Linie, die Sie sägen wollen.
- Wenn das Schneidewerkzeug in dem Werkstück verklemmt ist, schalten Sie das Produkt aus und trennen es von der Stromversorgung. Wenn das Schneidewerkzeug nicht einfach entfernt werden kann, lassen Sie das Schneidewerkzeug ausreichend abkühlen, bevor Sie das Schneidewerkzeug von dem Produkt lösen. Tragen Sie Handschuhe und benutzen Handwerkzeug, wie Zange oder Schraubenschlüssel, um das Schneidewerkzeug aus dem Werkstück zu entfernen.

WARTUNG UND PFLEGE

⚠ WARNUNG

Das Produkt sollte niemals an das Stromnetz angeschlossen sein, wenn Sie Teile zusammenbauen, Einstellungen vornehmen, Reinigen, Wartungsarbeiten durchführen, oder wenn das Produkt nicht benutzt wird. Trennen des Produktes verhindert ein unbeabsichtigtes Einschalten, das schwere Verletzungen verursachen könnte.

⚠ WARNUNG

Verwenden Sie zur Wartung ausschließlich Original-Ersatzteile des Herstellers. Der Einsatz von anderen Teilen kann eine Gefahr verursachen oder das Produkt beschädigen.

Falls das Stromkabel beschädigt sein sollte, darf es, um jegliche Risiken zu vermeiden, ausschließlich durch den Hersteller oder ein autorisiertes Kundendienstzentrum ausgetauscht werden. Kontaktieren Sie Ihren autorisierten Kundendienst.

⚠ WARNUNG

Für eine höhere Sicherheit und Zuverlässigkeit müssen alle Reparaturen von einem autorisierten RYOBI-Kundendienst durchgeführt werden.

ALLGEMEIN

Vermeiden Sie beim Reinigen der Plastikteile den Einsatz von Lösungsmitteln. Die meisten Kunststoffe können durch im Handel erhältliche Lösungsmittel beschädigt werden.

Verwenden Sie einen sauberen Lappen für die Reinigung von Verschmutzungen, Karbonstaub usw.

⚠ WARNUNG

Die Kunststoffelemente dürfen niemals mit Bremsflüssigkeit, Benzin, Produkten auf Petroleumbasis, eindringende Öle usw. in Kontakt kommen. Diese chemischen Produkte enthalten Substanzen, die den Kunststoff beschädigen, schwächen oder zerstören können.

Der Staub von Gipskarton oder Wandtafeln ist aggressiv und kann vorzeitiges Versagen des Produktes verursachen, wenn er in den Motorbereich eindringen kann. Benutzen Sie immer die an einen Staubsauger angeschlossene Staubabsaugung. Reinigen Sie das Produkt gründlich mit Bürste und Staubsauger nach der Benutzung. Achten Sie darauf keinen Schmutz in die Belüftungsöffnungen zu drücken. Benutzen Sie keine Druckluft, um Staub von dem Produkt zu entfernen; Schmutz und Ablagerungen, die mit Druckluft weggeblasen werden können schwere Augenverletzungen verursachen.

ÖLEN

Alle Lager Elemente in dem Produkt sind mit genug qualitativ hochwertigem Schmiermittel für die gesamte Lebensdauer des Produktes unter normalen Betriebsbedingungen geölt. Es ist daher keine zusätzliche Schmierung erforderlich.

UMWELTSCHUTZ



Recyceln Sie die Rohstoffe, anstatt sie im Haushaltsabfall zu entsorgen. Zum Schutz der Umwelt müssen das Gerät, die Zubehörteile und die Verpackungen getrennt entsorgt werden.

SYMBOLS AUF DEM PRODUKT



Sicherheitswarnung

V

Volt

Hz

Hertz

~

Wechselstrom

W

Watt

n_o

Leerlaufdrehzahl

min⁻¹

Anzahl Umdrehungen oder Bewegungen pro Minute



CE-Konformität



EurAsian Konformitätszeichen



Ukrainisches Prüfzeichen

001



Klasse II
Doppelisolierung



Holz -- Tauchschnitte und bündige Schnitte



Nichteisenmetallen -- Tauchschnitte und
bündige Schnitte



Kunststoff -- Tauchschnitte und bündige
Schnitte



Trockenwand -- Tauchschnitte und bündige
Schnitte



Beton -- Entfernen von Fliesenfugen



Entfernen von Fliesenkleber



Bitte lesen Sie die Anweisungen sorgfältig
durch, bevor Sie das Produkt einschalten.



Tragen Sie Augen- Gehör- und Atemschutz.



Elektrische Geräte sollten nicht mit dem
übrigen Müll entsorgt werden. Bitte
entsorgen Sie diese an den entsprechenden
Entsorgungsstellen. Wenden Sie sich an
die örtliche Behörde oder Ihren Händler, um
Auskunft über die Entsorgung zu erhalten.

einhergehen, dargestellt.

GEFAHR

Bezeichnet eine unmittelbare Gefahrensituation, die, falls nicht vermieden, zum Tode oder schweren Verletzungen führen kann.

WARNUNG

Bezeichnet eine mögliche Gefahrensituation, die, falls nicht vermieden, zum Tode oder schweren Verletzungen führen kann.

ACHTUNG

Bezeichnet eine mögliche Gefahrensituation, die, falls nicht vermieden, zu kleineren und mittleren Verletzungen führen kann.

ACHTUNG

(Ohne Warnsymbol) weist auf eine Situation hin, die zu Sachschaden führen kann.

SYMBOL IN DIESER BEDIENUNGSANLEITUNG



An das Stromnetz anschließen.



Von dem Stromnetz trennen.



Teile oder Zubehör getrennt erhältlich



Sperren



Öffnen



Minimum-Geschwindigkeit



Maximum-Geschwindigkeit



Bitte Beachten

Mit den folgenden Symbolen wird die Bedeutung der verschiedenen Risikostufen, die mit dem Produkt

Seguridad, desempeño y fiabilidad han sido las prioridades en el diseño de su multiherramienta.

USO PREVISTO

Esta multiherramienta está diseñada para ser utilizada por adultos que hayan leído y comprendido las instrucciones y advertencias recogidas en este manual y que puedan ser considerados responsables de sus acciones.

La multi-herramienta está destinada a utilizarse:

- para el lijado y acabado de metal, madera, plástico o materiales similares utilizando la almohadilla de lijado con las hojas abrasivas moldadas suministradas
- para raspar y puntear en metales no ferrosos, madera, plástico, cartón-yeso, etc., utilizando las hojas de corte metálicas suministradas
- para el corte de agujeros en las paredes para dar cabida a interruptores o tomas de corriente
- para la eliminación de la argamasa entre las baldosas de cerámica

La multi-herramienta está destinada a utilizarse en interiores en condiciones secas, bien iluminados y ventilados adecuadamente.

El producto no está destinado a ser utilizado sobre materiales y superficies mojadas.

Utilice el producto exclusivamente para el uso para el que fue diseñado.

⚠ ADVERTENCIA

Lea atentamente todas las advertencias, instrucciones y especificaciones suministradas con la herramienta, y consulte las ilustraciones. No seguir las instrucciones que se detallan a continuación podría provocar una descarga eléctrica, fuego y/o lesiones graves.

Guarde estas advertencias e instrucciones para poder consultarlas posteriormente.

ADVERTENCIAS DE SEGURIDAD DE LA MULTI-HERRAMIENTA

- Sujete el aparato únicamente por las superficies aislantes. El accesorio de corte puede entrar en contacto con cables ocultos o con su propio cable. El accesorio de corte que esté en contacto con un cable "vivo" puede transmitir corriente a las piezas metálicas de la herramienta que estén expuestas y el operador podría sufrir una descarga eléctrica.
- Use siempre gafas de seguridad mientras opera la herramienta. Use una máscara anti polvo cuando se produce polvo.
- El producto se reiniciará automáticamente si se atasca.

⚠ ADVERTENCIA

El polvo de ciertas pinturas, revestimientos y materiales puede causar irritación o reacciones alérgicas en el sistema respiratorio. El polvo de madera como el roble, la haya, el MDF y otros es cancerígeno. Solo especialistas cualificados deben utilizar el producto sobre materiales que contengan amianto.

⚠ ADVERTENCIA

El aparato nunca debe estar conectado a una fuente eléctrica mientras se estén montando las piezas, realizando ajustes, limpiando, llevando a cabo el mantenimiento o cuando no esté en uso. Apagar el aparato evitará que se ponga en marcha accidentalmente y cause lesiones graves.

- Mantener siempre el cable separado del radio de acción de la máquina. Coloque el cable de modo que quede detrás de Ud.
- Cuando se trabaja en paredes, techos o pisos, tenga cuidado para evitar los cables eléctricos y tuberías de gas o agua.

⚠ ADVERTENCIA

Los accesorios metálicos se calientan durante el uso y puede resultar en quemaduras en la piel si entra en contacto con el operador. Use guantes cuando cambie accesorios. Tenga cuidado al ajustar por la herramienta entre las operaciones para evitar daños o lesiones.

- No utilice accesorios que estén dañados, agrietados o no encajan de forma segura al producto del corte.
- Siempre que sea posible, coloque el accesorio de recogida de polvo suministrado y conéctelo a un dispositivo de vacío para eliminar el polvo del área de trabajo y ayudar a prevenir la potencial irritación respiratoria y daños a la herramienta.
- El producto vibra excesivamente durante el uso y puede causar molestias en caso de operar durante largos períodos de tiempo. Para aliviar el malestar y evitar lesiones, haga descansos frecuentes. Elija un ajuste de velocidad que terminará el trabajo de manera eficiente. Lea las secciones de riesgos residuales y de reducción de riesgo para más información sobre lesiones relacionadas con las vibraciones.

AVISOS DE SEGURIDAD ADICIONALES

- Apague el dispositivo inmediatamente si se produce un atasco en la herramienta de inserción. No vuelva a encender el dispositivo mientras la herramienta de inserción esté atascada, ya que podría generar un retroceso repentino con una elevada fuerza reactiva. Analice por qué se ha atascado la herramienta de inserción y solucione este problema, prestando atención a las instrucciones de seguridad.
 - Las posibles causas pueden ser:
 - está inclinada/o en la pieza de trabajo
 - ha perforado la pieza de trabajo

- el producto se ha sobrecargado

RIESGOS RESIDUALES

Incluso cuando se utiliza el producto según las instrucciones, sigue siendo imposible eliminar por completo ciertos factores de riesgo residuales. Pueden surgir los siguientes riesgos durante el uso y el operador debe prestar especial atención para evitar lo siguiente:

- Lesiones causadas por el polvo
 - Mientras se utiliza el producto, se producirán considerables cantidades de polvo y partículas finas. Use el dispositivo de recogida de polvo o conecte un aspirador para extracción de polvo al utilizar el producto.
 - Utilice siempre gafas de protección.
 - Use mascarillas protectoras con filtros adecuados para los materiales con los que va a trabajar. Asegure una ventilación adecuada del lugar de trabajo.
 - No comer, beber o fumar en el área de trabajo.
- Lesiones causadas por el ruido y la vibración
 - Utilice dispositivos de protección para los oídos
 - No utilice el producto durante largos periodos de tiempo. Consulte el apartado "Reducción De Riesgos".
- Riesgo de electrocución si se cortan los cables eléctricos
 - Sujete siempre el producto por tiradores designados. No toque las cuchillas de corte o partes metálicas del producto.

REDUCCIÓN DEL RIESGO

Se ha informado de que las vibraciones de las herramientas de mano puede contribuir a una condición llamada síndrome de Raynaud en ciertos individuos. Los síntomas pueden incluir hormigueo, entorpecimiento y decoloración de los dedos, generalmente aparentes cuando tiene lugar una exposición al frío. Se considera que los factores hereditarios, exposición al frío y a la humedad, dieta, tabaquismo y prácticas de trabajo contribuyen al desarrollo de estos síntomas. Existen medidas que pueden ser tomadas por el operador para reducir los efectos de vibración:

- Mantenga su cuerpo caliente durante el tiempo frío. Al manipular la unidad, utilice guantes para mantener las manos y las muñecas calientes. Hay informes que indican que el tiempo frío es un gran factor que contribuye al síndrome de Raynaud.
- Después de cada período de funcionamiento, realice ejercicios para aumentar la circulación sanguínea.
- Haga pausas de trabajo frecuentes. Limite la cantidad de exposición por día.

Si siente alguno de los síntomas de esta enfermedad, interrumpa inmediatamente el uso y consulte a su médico estos síntomas.

ADVERTENCIA

El uso prolongado de la herramienta puede provocar o agravar lesiones. Al utilizar cualquier herramienta durante períodos prolongados asegúrese de tomar descansos regulares.

CONOZCA EL PRODUCTO

Ver página 109.

1. Abrazadera de la hoja
2. Bloqueo de la hoja / liberación de palanca
3. Ángulo de la cabeza de ajuste botón de liberación
4. Hoja para incisiones
5. Cuchilla raspadora
6. Hoja argamasa
7. Hoja de corte al ras / hoja metal
8. Patín
9. Papel de lija
10. Boquilla de aspiración
11. Calibre de profundidad / altura
12. Adaptador */ **
13. Control de la velocidad
14. Interruptor de encendido/apagado
15. Asa, superficie de agarre aislada

Lado R&F

Compatible con generaciones anteriores de accesorios de RYOBI, RIDGID o AEG. RYOBI es una marca comercial utilizada bajo licencia de RYOBI Limited. RIDGID es una marca comercial de Emerson Electric Co. AEG es una marca comercial registrada utilizada bajo licencia de AB Electrolux (publ).

*Compatible con los accesorios FEIN. FEIN es una marca comercial de C. & E. Fein GmbH.

Lado D

**Compatible con los accesorios DREMEL. DREMEL es una marca comercial de Robert Bosch Tool Corporation.

FUNCIONAMIENTO

El producto se suministra con un adaptador adicional para su uso con otras marcas de corte, raspado, lijado y accesorios. No utilice el adaptador con la última generación de accesorios RYOBI suministrados con la herramienta. Por ejemplo, utilice el adaptador con las letras "R & F" mirando hacia fuera si desea utilizar RYOBI, RIDGID o accesorios de AEG de generación anterior. El adaptador puede ser entregado para su uso con otras marcas de accesorios.

- Proteja las piezas de trabajo con una abrazadera para evitar el movimiento durante el lijado o las operaciones de corte. No sujete con la mano una pieza de trabajo. Un deslizamiento accidental durante el funcionamiento del producto puede causar lesiones personales graves.
- Al hacer un corte por penetración en materiales blandos como la madera y placa de yeso utilizando el accesorio de corte, lleve gradualmente la cuchilla que vibra a la pieza de trabajo. No empuje la cuchilla que vibra con fuerza en el material a cortar. Deje que el producto haga el trabajo y concéntrese en mantener el producto y la hoja de corte estables en la posición que

se desea hacer el corte.

- Utilice el medidor de profundidad / altura para ayudar a establecer su profundidad de corte o prevenir el corte demasiado profundamente en el material.
- Tenga mucho cuidado al cortar los metales no ferrosos. La cuchilla de corte vibrante puede saltar antes de empezar a cortar. Si es necesario, perforo algunos agujeros a lo largo de la línea que desea cortar para ayudar a la cuchilla de corte.
- Si los accesorios de corte se atascan en la pieza de trabajo, apague el producto y desconecte de la red eléctrica. Si el accesorio de corte no se puede quitar fácilmente, permita que los accesorios de corte se enfríen adecuadamente antes de soltar el accesorio de corte del producto. Use guantes y use herramientas de mano, tales como alicates y llave, para quitar el accesorio de corte de la pieza de trabajo.

MANTENIMIENTO

⚠ ADVERTENCIA

No conecte el producto a la toma de corriente cuando esté realizando operaciones de montaje de piezas, limpieza y mantenimiento, o cuando el producto no esté en uso. Apagar el aparato evitará que se ponga en marcha accidentalmente y cause lesiones graves.

⚠ ADVERTENCIA

En las operaciones de reparación, utilice solo piezas de repuesto originales del fabricante. El uso de otras piezas puede ocasionar riesgos o daños en el producto.

Si el cable de alimentación está dañado, debería ser reemplazado únicamente por el fabricante o por un centro de servicio autorizado para evitar peligro. Póngase en contacto con el centro de servicio autorizado.

⚠ ADVERTENCIA

Para más seguridad y fiabilidad, todas las reparaciones deben ser efectuadas por un Centro de Servicio Habilitado RYOBI.

GENERAL

Evite el uso de disolventes para limpiar las piezas de plástico. La mayor parte de los plásticos pueden resultar dañados con los disolventes que se venden en el mercado. Utilice un paño limpio para quitar las impurezas, el polvo, etc.

⚠ ADVERTENCIA

Los elementos de plástico nunca deben estar en contacto con líquido de frenos, gasolina, productos derivados de petróleo, aceites penetrantes, etc. Estos productos químicos contienen sustancias que pueden deteriorar, debilitar o destruir el plástico.

El polvo del yeso y de la pared es abrasivo y puede causar un fallo prematuro del producto si se le permite entrar en la zona del motor. Utilice siempre el accesorio de extracción de polvo conectado a un vacío. Limpie a fondo el producto después de su uso mediante el uso de un cepillo y una aspiradora. Tenga cuidado para no empujar la suciedad en las aberturas de ventilación. No use aire comprimido para eliminar el polvo del producto. La suciedad y las partículas eliminadas mediante aire comprimido pueden causar lesiones oculares graves.

LUBRICACIÓN

Todos los cojinetes de este producto están lubricados con una cantidad suficiente de lubricante de alta calidad para la vida del producto en condiciones normales de funcionamiento. Por lo tanto, no es menester prevenir ninguna lubricación adicional.

PROTECCIÓN DEL MEDIO AMBIENTE



Recicle las materias primas en lugar de tirarlas a la basura doméstica. Para proteger el medio ambiente, debe separar el producto, los accesorios y los embalajes.

SÍMBOLOS EN EL PRODUCTO



Atención

V

Voltios

Hz

Hertzios

~

Corriente alterna

W

Vatios

n°

Velocidad sin carga

min⁻¹

Número de revoluciones o movimientos por minuto



Conformidad con CE



Certificado EAC de conformidad



Marca de conformidad ucraniana



Equipamiento de Clase II
Doble aislamiento



Madera –
Punteado y cortes nivelados



Metales no ferrosos –
Punteado y cortes nivelados



Plástico –
Punteado y cortes nivelados



Panel de yeso –
Punteado y cortes nivelados



Hormigón –
Remoción de argamasa del azulejo



Eliminación adhesiva del azulejo



Por favor, lea atentamente las instrucciones
antes de encender el producto.



Proteja los ojos, los oídos y la nariz.



Los productos eléctricos de desperdicio no
deben desecharse con desperdicios caseros.
Por favor recíclelos donde existan dichas
instalaciones. Compruebe con su autoridad
local o minorista para reciclar.

PRECAUCIÓN

(Sin símbolo de seguridad) Indica una situación que
podría ocasionar daños materiales.

SÍMBOLOS EN ESTE MANUAL



Nota:



Conectarse a la red eléctrica.



Desconectar de la red eléctrica.



Las piezas o accesorios se venden por
separado



Bloquear



Desbloquear



Velocidad, mínimo



Velocidad, máxima

Los siguientes símbolos y palabras detallan los niveles de
cuidado necesarios para usar este producto.

PELIGRO

Indica una situación inminente de peligro que, si no se
evita, provocará la muerte o lesiones graves.

ADVERTENCIA

Indica una situación potencialmente peligrosa que, si no
se evita, podría causar la muerte o lesiones graves.

PRECAUCIÓN

Indica una situación potencialmente peligrosa que, si no
se evita, puede provocar lesiones leves o moderadas.



E' stata data massima priorità a sicurezza, prestazioni e affidabilità nel design di questo multi-utensile.

UTILIZZO

Questo multi-utensile è adatto per essere utilizzato da adulti che hanno letto e compreso le istruzioni e gli avvertimenti nel presente manuale e che possono quindi essere considerati responsabili delle loro azioni.

Questo multi-utensile è stato progettato per essere utilizzato:

- per operazioni di levigatura e rifinitura metalli, legno, plastica o altri materiali simili utilizzando il cuscinetto per la levigatura con i fogli abrasivi forniti
- per operazioni di raschiatura e tagli a tuffo in metalli non ferrosi, legno, plastica, cartongesso, ecc. utilizzando le lame di taglio metalliche fornite
- per forare muri in modo da montare interruttori o prese dell'alimentazione
- per rimuovere lo sporco nelle fughe e nei canali delle mattonelle in ceramica

Il multi-utensile è indicato per funzionare in interni, in condizioni asciutte, ben illuminate e adeguatamente ventilate.

Prodotto non adatto ad essere utilizzato su materiali e superfici bagnate.

Non utilizzare il prodotto in modi diversi da quelli indicati.

AVVERTENZA

Leggere attentamente tutte le avvertenze, le istruzioni e le specifiche fornite con l'apparecchio e fare riferimento alle illustrazioni. La mancata osservanza delle istruzioni elencate sotto può causare folgorazione, incendio e/o lesioni gravi.

Conservare le presenti avvertenze ed istruzioni per poterle consultare in seguito.

AVVERTENZE DI SICUREZZA MULTI-UTENSILE

- Reggere il prodotto solo dalle superfici isolate. L'accessorio di taglio potrà entrare in contatto con cavi nascosti o con il suo stesso cavo. Se la lama taglia un cavo "vivo" le parti esposte dell'elettro-utensile potrebbero fare da conduttore e causare scosse elettriche.
- Indossare sempre occhiali di sicurezza mentre si mette in funzione l'utensile. Indossare una maschera anti-polvere se si prevede di lavorare in ambienti dove si produce polvere.
- In caso di stallo il prodotto si riavvierà automaticamente.

AVVERTENZE

La polvere di alcune vernici, rivestimenti e materiali potrà causare irritazioni o reazioni allergiche al sistema respiratorio. La polvere prodotta da legno come quercia, betulla, pannelli di fibra a media densità (MDF) e altri tipi di legname è cancerogena. Lasciare che solo professionisti qualificati utilizzino il prodotto su materiali che contengono amianto.

AVVERTENZE

Questo prodotto non dovrà mai essere collegato all'alimentazione mentre si montano le sue parti, svolgono regolazioni, operazioni di pulizia e manutenzione o quando il prodotto non viene utilizzato. Scollegare il prodotto per prevenire l'avvio accidentale che potrà causare gravi lesioni.

- Tenere sempre lontano il cavo di collegamento dall'area di lavoro dell'attrezzo. Il cavo dovrà essere sempre situato dietro l'operatore.
- Quando si lavora su pareti, soffitti o pavimenti, evitare cavi elettrici o tubi del gas o dell'acqua.

AVVERTENZE

Gli accessori metallici potranno surriscaldarsi durante l'utilizzo causando scottature se entrano in contatto con l'operatore. Indossare guanti quando si cambiano gli accessori. Fare attenzione quando si appoggia l'utensile tra un'operazione e l'altra per prevenire danni o lesioni.

- Non utilizzare accessori di taglio danneggiati, rotti o non assicurati correttamente al prodotto.
- Quando possibile, montare l'accessorio per la raccolta polvere fornito e collegarlo a un dispositivo aspiratore per rimuovere la polvere dall'area di lavoro e aiutare a prevenire potenziali irritazioni all'apparato respiratorio e danni all'utensile.
- Il prodotto vibra eccessivamente durante l'utilizzo e può causare fastidi se tenuto in funzione per lunghi periodi di tempo. Per alleggerire il fastidio ed evitare lesioni, fare frequenti pause. Scegliere una impostazione di velocità che permetterà di completare il lavoro efficientemente. Leggere le sezioni Rischi Residui e Riduzione del Rischio per ulteriori informazioni su lesioni legate alle vibrazioni.

ULTERIORI AVVERTENZE DI SICUREZZA

- Se l'utensile di inserimento va in stallo, spegnere il dispositivo immediatamente. Non riaccendere il dispositivo mentre l'utensile è ancora in stallo, in quanto si potrebbe produrre un improvviso contraccolpo con un'elevata forza reattiva. Determinare la causa dello stallo e correggerla, prestando attenzione alle istruzioni di sicurezza.
 - Le cause possibili possono essere:
 - è inclinato/a nel pezzo sul quale si sta lavorando
 - ha attraversato il pezzo sul quale si sta lavorando
 - il trapano è in sovraccarico

RISCHI RESIDUI

Anche quando il prodotto viene utilizzato come indicato, sarà ancora impossibile eliminare completamente alcuni fattori di rischio residuo. Si potranno verificare i seguenti rischi e l'operatore dovrà prestare particolare attenzione per evitare quanto segue:

- Lesioni causate dalla polvere
 - Durante l'utilizzo l'utensile produce una

EN
FR
DE
ES
IT
NL
PT
DA
SV
FI
NO
RU
RO
PL
CS
HU
RO
LV
LT
ET
HR
SL
SK
BG
UK
TR
EL



considerevole quantità di polvere e particelle. Utilizzare il dispositivo di raccolta o collegare un aspiratore per l'estrazione della polvere quando si mette in funzione il prodotto.

- Indossare sempre protezioni per gli occhi.
- Indossare maschere di protezione contenenti filtri adeguati ai materiali che si stanno manipolando. Assicurarsi una adeguata ventilazione del luogo di lavoro.
- Non mangiare, bere, né fumare nell'area di lavoro.
- lesioni causate da rumore e vibrazioni
 - Indossare cuffie di protezione
 - Non mettere in funzione il prodotto per lunghi periodi di tempo. Vedere "Riduzione Rischio".
- Rischio di scosse elettriche nel caso in cui i cavi elettrici vengano tagliati
Reggere sempre il prodotto dagli appositi manici. Non toccare le lame di taglio o le parti in metallo del prodotto.

RIDUZIONE DEL RISCHIO

Si è accertato che le vibrazioni causate da utensili a mano possono contribuire a causare una condizione chiamata Sindrome di Raynaud in alcune persone. I sintomi, comprendenti formicolio, intorpidimento e perdita di colore alle dita, si verificano di solito quando ci si espone al freddo. Fattori ereditari, esposizione a freddo e umidità, una dieta scorretta, fumo e condizioni di lavoro non sicure potranno contribuire allo sviluppo di questi sintomi. È possibile prendere delle precauzioni per ridurre le vibrazioni:

- Tenere il corpo al caldo a basse temperature. Quando si utilizza l'utensile, indossare guanti e tenere le mani e i polsi caldi. Le basse temperature contribuiscono a causare la Sindrome di Raynaud.
- Dopo aver utilizzato l'utensile per un certo periodo, fare degli esercizi per stimolare la circolazione del sangue.
- Fare spesso delle pause. Limitare la quantità di esposizione giornaliera.

Nel caso in cui si provino i sintomi di questa condizione, interrompere immediatamente l'utilizzo dell'utensile e consultare un dottore.

⚠ AVVERTENZE

L'utilizzo prolungato dell'utensile potrà causare o aggravare lesioni già esistenti. Quando si utilizza questo utensile per periodi di tempo prolungati, assicurarsi di fare sempre delle pause regolari.

FAMILIARIZZARE CON IL PRODOTTO

Vedere a pagina 109.

1. Morsetto lama
2. Blocco lama / leva di rilascio
3. Tasto di rilascio regolazione angolo testina
4. Lama per tagli a immersione
5. Lama per operazioni di raschiatura
6. Lama per fughe e canali mattonelle
7. Lama per taglio a livello / lama in metallo
8. Pattino

9. Carta vetrata
10. Ugello di aspirazione
11. Indicatore di profondità/altezza
12. Adattatore */ **
13. Controllo della velocità
14. Interruttore On/Off (Acceso/Spento)
15. Impugnatura con superficie isolata antiscivolo

Lato R&F

Compatibile con le precedenti versioni degli accessori RYOBI, RIDGID o AEG. RYOBI è un marchio commerciale usato su licenza di RYOBI Limited. RIDGID è un marchio commerciale di Emerson Electric Co. AEG è un marchio commerciale registrato usato su licenza di AB Electrolux (pubbl).

*Compatibile gli accessori FEIN. FEIN è un marchio commerciale di C. & E. Fein GmbH.

Lato D

**Compatibile gli accessori DREMEL. DREMEL è un marchio commerciale di Robert Bosch Tool Corporation.

FUNZIONAMENTO

Il prodotto è fornito con un ulteriore adattatore che permette di utilizzarlo con altre marche di accessori da taglio, raschiatura, levigatura. Non utilizzare l'adattatore con la più recente generazione di accessori RYOBI fornita con l'utensile. Per esempio, utilizzare l'adattatore con le lettere "R&F" rivolte verso l'esterno se si desidera utilizzare la precedente generazione di accessori RYOBI, RIDGID o AEG. L'adattatore potrà dover essere capovolto per essere utilizzato con altre marche di accessori.

- Assicurare i pezzi sui quali si deve lavorare con un morsetto per evitare che si spostino durante le operazioni di levigatura o taglio. Non reggere mai il pezzo da tagliare con le mani. Si potranno verificare gravi lesioni alla persona nel caso in cui l'operatore scivoli inavvertitamente mentre utilizza il prodotto.
- Quando si realizza un taglio a tuffo in materiali morbidi come legno e intonaco utilizzando accessori di taglio, portare la lama vibrante gradualmente verso il pezzo sul quale si sta lavorando. Non forzare una lama che vibra nel materiale da tagliare. Lasciare che il prodotto svolga il lavoro e concentrarsi sul mantenere il prodotto e la lama di taglio nella posizione nella quale si desidera fare il taglio.
- Utilizzare l'indicatore di profondità/altezza per aiutarsi a mantenere la profondità del taglio o prevenire tagli troppo profondi nel materiale.
- Fare ulteriore attenzione quando si tagliano metalli non ferrosi. La lama di taglio vibrante potrà scivolare prima di aver avviato le operazioni di taglio. Se necessario, fare dei fori per delineare la linea lungo la quale si desidera tagliare per assistere la lama nelle operazioni di taglio.
- Nel caso in cui gli accessori di taglio rimangano incastrati nel pezzo sul quale si sta lavorando, spegnere il prodotto e scollegarlo dall'alimentazione. Nel caso in cui non sia possibile rimuovere facilmente l'accessorio di taglio, lasciare che gli accessori di taglio si raffreddino adeguatamente prima di rilasciare l'accessorio di taglio dal prodotto. Indossare guanti ed utensili a mano come

tenaglie e chiavi per rimuovere l'accessorio di taglio dal pezzo sul quale si sta lavorando.

MANUTENZIONE

⚠ AVVERTENZE

Non collegare il prodotto a una presa dell'alimentazione quando si montano parti, svolgono operazioni di regolazione, pulizia, manutenzione, o quando il prodotto non è in uso. Scollegare il prodotto per prevenire l'avvio accidentale che potrà causare gravi lesioni.

⚠ AVVERTENZE

Quando si svolgono operazioni di manutenzione, utilizzare solo parti di ricambio originali della ditta produttrice. Utilizzare parti di ricambio diverse potrebbe causare rischi o danneggiare il prodotto.

Se il cavo dell'alimentazione viene danneggiato, deve essere sostituito da una ditta produttrice o da un centro servizi autorizzato per evitare rischi alla sicurezza. Contattare il centro servizi autorizzato.

⚠ AVVERTENZE

Per maggiore sicurezza ed affidabilità, effettuare tutte le riparazioni presso un Centro di Assistenza Autorizzato RYOBI.

GENERALE

Evitare di utilizzare solventi quando si puliscono le parti in plastica. La maggior parte dei materiali plastici rischia di essere danneggiata dall'uso dei solventi disponibili in commercio. Utilizzare un panno pulito per rimuovere lo sporco, la polvere, ecc.

⚠ AVVERTENZE

Gli elementi in plastica non devono mai entrare a contatto con liquido dei freni, benzina, prodotti a base di petrolio, oli penetranti, ecc. Tali prodotti chimici contengono sostanze che possono danneggiare, indebolire o distruggere la plastica.

La polvere prodotta da cartongesso e pannelli è abrasiva e potrà non far funzionare il prodotto correttamente nel caso in cui riuscirà a entrare nella zona del motore. Utilizzare sempre l'accessorio di estrazione polvere collegato a un aspirapolvere. Pulire attentamente il prodotto dopo l'utilizzo con una spazzola e un aspirapolvere. Non spingere lo sporco nelle griglie di ventilazione. Non utilizzare aria compressa per rimuovere la polvere dal prodotto. Sporco e sabbia soffiati via dall'aria compressa possono causare gravi lesioni agli occhi.

LUBRIFICAZIONE

Tutti i cuscinetti in questo prodotto sono stati lubrificati con una quantità di lubrificante ad alto indice di viscosità per tutta la durata del prodotto nelle normali condizioni

di funzionamento. Di conseguenza, non è necessario effettuare alcuna lubrificazione supplementare.

TUTELA DELL'AMBIENTE



Riciclare le materie prime anziché gettarle tra i rifiuti domestici. Per tutelare l'ambiente, l'apparecchio, gli accessori e gli imballaggi devono essere smaltiti separatamente.

SIMBOLI SUL PRODOTTO



Allarme di sicurezza

V

Volt

Hz

Hertz

~

Corrente alternata

W

Watt

n°

Velocità a vuoto

min⁻¹

Numero di giri o di movimenti al minuto



Conformità CE



Marchio di conformità EurAsian



Marchio di conformità ucraino



Utensile di Classe II
Doppio isolamento



Legno –
Tagli a tuffo e a livello



Metalli non ferrosi –
Tagli a tuffo e a livello



Plastica –
Tagli a tuffo e a livello



Cartongesso –
Tagli a tuffo e a livello



Calcestruzzo –
Rimozione di sporco da fughe e canali delle
mattonelle



Rimozione dell'adesivo delle piastrelle



Leggere attentamente le istruzioni prima di
utilizzare il prodotto.



Indossare occhiali, cuffie e maschere anti-
polvere di protezione.



I prodotti elettrici non devono essere smaltiti con i rifiuti domestici. Vi sono strutture per smaltire tali prodotti. Informarsi presso il proprio Comune o rivenditore di sicurezza per smaltire adeguatamente tali rifiuti.

SIMBOLI NEL MANUALE



Note



Collegare all'alimentazione.



Scollegare dall'alimentazione.



Parti o accessori venduti separatamente



Blocco



Sblocco



Velocità, minimo



Velocità, massima

I seguenti simboli indicano i livelli di rischio associati a questo prodotto.

PERICOLO

Indica una situazione immediatamente pericolosa che, se non evitata, potrà causare gravi lesioni o morte.

AVVERTENZE

Indica una situazione potenzialmente pericolosa che, se non evitata potrà causare gravi lesioni o morte.

ATTENZIONE

Indica una situazione potenzialmente pericolosa che, se non evitata, potrà causare lesioni minori o moderate.

ATTENZIONE

(Senza simbolo di allarme in materia di sicurezza) Indica una situazione che può provocare danni materiali.



Veiligheid, prestaties en betrouwbaarheid kregen topprioriteit in het ontwerp van uw multitool.

BEOOGD GEBRUIK

Het multitool is uitsluitend geschikt om te worden gebruikt door volwassenen die de instructies en waarschuwingen in deze gebruiksaanwijzing hebben gelezen en begrepen en die als verantwoordelijk voor hun handelingen kunnen worden beschouwd.

Het multitool is ontworpen om als volgt te worden gebruikt:

- voor het schuren en afwerken van metaal, hout, kunststof of gelijkaardige materialen door middel van het schuurpad met de meegeleverde bladen schuurpapier.
- voor het afschrapen en insteken in non-ferrometaal, hout, kunststof, gipsplaat, etc., met de meegeleverde metalen snijbladen
- voor het boren van gaten in muren om schakelaars of contactdozen te installeren
- voor het verwijderen van voegmortel tussen de keramische tegels

Het multitool is ontworpen voor binnenshuis gebruik in droge, goed verlichte en verluchte omstandigheden.

Het product is niet bedoeld voor gebruik op natte materialen en oppervlakken.

Gebruik het product niet voor andere doeleinden dan waarvoor het is bestemd.

ALGEMENE VEILIGHEIDSVOORSCHRIFTEN

⚠ WAARSCHUWING

Lees aandachtig alle waarschuwingen, aanwijzingen en specificaties die bij deze machine worden meegeleverd en bestudeer de afbeeldingen. Wanneer niet alle onderstaande instructies worden opgevolgd, kan dit leiden tot elektrische schok, brand en/of ernstig letsel.

Bewaar deze waarschuwingen en voorschriften zorgvuldig om ze ook later te kunnen inzien.

Met de term "elektrisch apparaat" in onderstaande veiligheidsvoorschriften worden alle type apparaten aangeduid, dus zowel apparaten met een netsnoer als apparaten met een accupak.

VEILIGHEID VAN DE WERKPLEK

- **Zorg dat uw werkruimte opgeruimd en goed verlicht is.** Rommelige of donkere plaatsen nodigen uit tot ongevallen.
- **Gebruik elektrische apparaten nooit in een explosieve atmosfeer, bijvoorbeeld in de buurt van ontvlambare vloeistoffen, van gassen of van stofdeeltjes.** Door de vonken van elektrische apparaten kunnen deze in brand raken of ontploffen.
- **Houd kinderen, omstanders en huisdieren op afstand als u een elektrisch apparaat gebruikt.** Zij zouden u kunnen afleiden, waardoor u de macht over het apparaat verliest.

ELEKTRISCHE VEILIGHEID

- **De stekker van een elektrisch apparaat moet zonder meer passen op het stopcontact. Ga niet aan de stekker knoeien. Gebruik nooit een verloopstekker voor elektrische apparaten met aardaansluiting.** Zo beperkt u de kans op elektrische schokken.
- **Voorkom aanraking van geaarde oppervlakken (bijv. buizen, radiatoren, fornuizen, koelkasten, enz.).** Het gevaar voor elektrische schokken wordt groter als een deel van uw lichaam in aanraking is met een geaard oppervlak.
- **Stel een elektrisch apparaat niet bloot aan regen of vochtigheid.** Het gevaar voor elektrische schokken wordt groter als er water binnentreedt in een elektrisch apparaat.
- **Houd het netsnoer in goede staat. Til uw apparaat nooit op aan het netsnoer en probeer niet om de stekker uit het stopcontact te halen door aan het snoer te trekken. Houd het snoer uit de buurt van warmtebronnen, olie, snijdende voorwerpen en bewegende onderdelen.** Het gevaar voor elektrische schokken wordt groter als het netsnoer beschadigd is of in de knoop zit.
- **Bij gebruik buitenshuis moeten eventuele verlengsnoeren geschikt zijn voor een dergelijk gebruik.** Zo beperkt u de kans op elektrische schokken.
- **Als u niet anders kunt dan het apparaat in een vochtige omgeving gebruiken, sluit het dan in ieder geval aan op een stroomgroep die beveiligd is met een aardlekschakelaar.** Door toepassing van een aardlekschakelaar wordt het gevaar voor elektrische schokken beperkt.

PERSOONLIJKE VEILIGHEID

- **Blijf attent, kijk goed naar wat u doet en gebruik uw gezond verstand als u een elektrisch apparaat gebruikt. Gebruik het elektrisch apparaat niet wanneer u vermoeid bent of onder invloed bent van drank of drugs, of wanneer u medicijnen gebruikt.** Vergeet niet dat zelfs één seconde onoplettendheid ernstig lichamenlijk letsel kan veroorzaken.
- **Gebruik persoonlijke beschermingsmiddelen. Bescherm altijd uw ogen.** Draag afhankelijk van de omstandigheden ook een stofmasker, schoenen met antislipzolen, een veiligheidshelm of gehoorbeschermers om gevaar voor ernstig lichamenlijk letsel te beperken.
- **Zorg dat het apparaat niet ongewild in werking kan treden. Zorg ervoor dat de schakelaar op "uit" staat voordat u het apparaat op de stroom aansluit of het accupak in het apparaat steekt of wanneer u het apparaat meeneemt of vervoert.** Beperk het gevaar voor ongelukken: verplaats het apparaat niet terwijl u een vinger op de schakelaar houdt en steek de stekker niet in het stopcontact / steek het accupak niet in het apparaat als de schakelaar op "aan" staat.
- **Verwijder de stelsleutels voordat u het apparaat in werking zet.** Een achtergebleven stelsleutel die aan een bewegend onderdeel vastzit, kan ernstig lichamenlijk letsel veroorzaken.
- **Zorg dat u altijd uw evenwicht goed kunt bewaren. Ga altijd stevig op uw benen staan en reik niet te ver weg met uw arm.** Door een stabiele werkpositie

EN
FR
DE
ES
IT
NL
PT
DA
SV
FI
NO
RU
PL
CS
HU
RO
LV
LT
ET
HR
SK
SL
BG
UK
TR
EL



bent u beter in staat om uw gereedschap in bedwang te houden als er iets onverwachts gebeurt.

- **Draag geschikte kleding. Draag geen wijde kleding of sierraden. Houd uw haren en kleding uit de buurt van bewegende delen.** Wijde kleding, sierraden of lange haren kunnen beklemd raken in de bewegende delen.
- **Zorg ervoor dat het stofzuigsysteem goed is geïnstalleerd en ook wordt gebruikt wanneer het apparaat daarmee is uitgerust.** Zo voorkomt u gevaar voor ongelukken.
- **Zorg ervoor dat het frequent gebruik van en vertrouwd zijn met gereedschappen u niet laks maakt als het gaat om het opvolgen van de bijbehorende veiligheidsprincipes.** Een nochalante handeling kan in een fractie van een seconde ernstig letsel veroorzaken.

GBRUIK EN ONDERHOUD VAN APPARATEN MET SNOER

- **U mag het apparaat niet overbelasten. Gebruik een apparaat dat geschikt is voor het werk dat u gaat doen.** Uw elektrisch apparaat zal veiliger en zekerder werken als u het gebruikt op het toerental waarvoor het berekend is.
- **Gebruik een elektrisch apparaat niet als u het niet meer met de schakelaar aan en uit kunt zetten.** Een apparaat dat niet meer op de normale manier aan-en uitgezet kan worden, is gevaarlijk en moet absoluut worden gerepareerd.
- **Koppel de stekker los van de stroombron en/of verwijder de accu, indien deze afneembaar is, van het gereedschap voordat u instellingen aanpast, accessoires wijzigt of voordat u elektrisch gereedschap opbergt.** Zo verkleint u het risico dat het apparaat ongewild in werking treedt.
- **Berg elektrische apparaten weg buiten bereik van kinderen. Laat het apparaat niet gebruiken door personen die het apparaat niet kennen of geen kennis hebben genomen van de veiligheidsvoorschriften.** Elektrische apparaten zijn gevaarlijk in handen van onervaren personen.
- **Het onderhoud van elektrisch gereedschap en accessoires. Controleer de uitlijning van de bewegende delen. Kijk of er geen onderdelen zijn gebroken. Controleer de montage en alle andere elementen die de goede werking van het gereedschap kunnen beïnvloeden.** Als er iets beschadigd is, dient u uw apparaat eerst te laten herstellen voordat u het weer gebruikt. Ongelukken zijn vaak te wijten aan de slechte staat van onderhoud van het gereedschap.
- **Houd uw gereedschap altijd scherp en schoon.** Wanneer het mes van snijgereedschap goed scherp en schoon is, bestaat er minder kans dat het geblokkeerd raakt. Ook kunt u het apparaat dan beter onder controle houden.
- **Gebruik het elektrisch apparaat, de accessoires, de hulpstukken, enz. in overeenstemming met deze gebruiksvorschriften en houd daarbij rekening met de gebruiksomstandigheden en de gewenste toepassingen.** Gebruik een elektrisch apparaat uitsluitend voor de toepassingen waarvoor het bestemd is om gevaarlijke situaties te vermijden.

- **Zorg dat handvatten en handgrepen droog, schoon en vrij van olie en vet blijven.** Gladde handvatten en handgrepen maken het onmogelijk het gereedschap in onverwachte situaties veilig te hanteren en te bedienen.

ONDERHOUD

- **Eventuele reparaties mogen alleen door een bekwame vakman worden uitgevoerd met gebruik van originele reservedelen.** Zo kunt u het elektrisch apparaat veilig blijven gebruiken.

VEILIGHEIDSWAARSCHUWINGEN MULTITOOL

- Houd het product uitsluitend aan de geïsoleerde oppervlakken vast. Het zaagaccessoire kan in contact komen met verborgen draden of zijn eigen snoer. Wanneer de accessoire een spanningvoerende leiding raakt, kunnen de blootgestelde onderdelen van de machine onder spanning komen waardoor de gebruiker wordt geëlektrocuteerd.
- Draag altijd gezichtsbescherming terwijl u het apparaat gebruikt. Draag een stofmasker wanneer stof wordt geproduceerd.
- Het product wordt automatisch opnieuw gestart als het tot stilstand komt.

⚠ WAARSCHUWING

Stof van bepaalde verven, coatings of materialen kunnen irritatie of allergische reacties aan de ademhalingswegen veroorzaken. Stof van hout, zoals eik, beuk, MDF en anderen zijn kankerverwekkend. Alleen gekwalificeerde specialisten mogen het product gebruiken met asbesthoudende materialen.

⚠ WAARSCHUWING

Het product mag nooit worden aangesloten op de netvoeding bij het aansluiten van onderdelen, maken van afstellingen, schoonmaken, uitvoeren van onderhoud of als het product niet wordt gebruikt. Ontkoppelen van het product voorkomt accidenteel opstarten, wat ernstig letsel kan veroorzaken.

- Snoer altijd buiten werkbereik van de machine houden. Leid de kabel altijd achter u.
- Wanneer u werkt in muren, plafonds of vloeren, moet u voorzichtig zijn om elektrische kabels en gas- of waterleidingen te vermijden.

⚠ WAARSCHUWING

Metalen accessoires worden warm tijdens gebruik, wat kan leiden tot brandwonden indien de bediener ermee in contact komt. Draag handschoenen bij het vervangen van accessoires. Wees voorzichtig wanneer u het apparaat neerzet tussen handelingen om schade of verwondingen te voorkomen.

- Gebruik geen zaagaccessories die beschadigd of gebarsten zijn of niet veilig in het product passen.
- Wanneer mogelijk, installeert u het meegeleverde



stofverzamelaccessoire en verbindt u het met een zuigmachine om stof uit het werkgebied te verwijderen en mogelijke irritatie van de luchtwegen en schade aan het apparaat te voorkomen.

- Het product trilt hevig tijdens gebruik, wat kan leiden tot ongemak als het gedurende een langere tijd wordt gebruikt. Om dit ongemak en letsels te voorkomen, neemt u regelmatig een pauze. Kies een snelheidsinstelling die het werk op een efficiënte manier kan uitvoeren. Lees de hoofdstukken met betrekking tot restrisco's en risicovermindering voor meer informatie met betrekking tot letsels veroorzaakt door trillingen.

AANVULLENDE VEILIGHEIDSWAARSCHUWINGEN

- Als het inbrenginstrument stilvalt moet het apparaat onmiddellijk uitgeschakeld worden. Schakel het apparaat niet opnieuw in terwijl het inbrenginstrument stilstaat, omdat dit een plotselinge terugslag met hoge trekkracht kan veroorzaken. Bepaal waarom het inbrenginstrument is stilgevallen en corrigeer dit overeenkomstig de veiligheidsinstructies.
 - De mogelijke oorzaken kunnen zijn:
 - het is gekanteld in het werkstuk
 - het heeft het werkstuk doorboord
 - het product is overbelast

RESTRISCO'S

Zelfs wanneer het product zoals voorgeschreven wordt gebruikt, blijft het onmogelijk om alle restrisco's te voorkomen. De volgende gevaren kunnen optreden bij gebruik en de gebruiker dient speciaal op te letten om het volgende te voorkomen:

- Verwonding veroorzaakt door stof
 - Tijdens het gebruik van het product, worden een aanzienlijke hoeveelheid stof en fijn deeltjes geproduceerd. Gebruik de stofopvanginrichting of verbindt een stofzuiger aan de machine wanneer u het gebruikt.
 - Draag altijd gezichtsbescherming.
 - Draag ademhalingsbeschermingsmaskers met filters die aangepast zijn aan het materiaal waarmee wordt gewerkt. Zorg voor voldoende ventilatie op de werkplaats.
 - Eten, drinken of roken verboden in het werkgebied.
- Verwondingen veroorzaakt door geluid en vibratie
 - Draag gehoorbescherming
 - Gebruik dit product niet voor een lange periode. Zie "Risiko's Beperken".
- Risico op elektrocutie als elektrische kabels worden doorknipt.

Houd het product altijd aan de voorgeschreven handvatten vast. Raak de zaagbladen of metalen onderdelen van het product niet aan.

RISICOBEPERKING

Er zijn meldingen dat trillingen van handwerktuigen bij sommige mensen bijdragen tot het Syndroom van Raynaud. Symptomen kunnen ondermeer tintelingen, gevoelloosheid en bleek worden van de vingers omvatten,

wat normaal gezien duidelijk wordt bij blootstelling aan koude. Erfelijke factoren, blootstelling aan koude en vocht, dieet, roken en werkroutine kunnen allemaal bijdragen tot de ontwikkeling van deze symptomen. Er kunnen door de bediener maatregelen worden genomen om de gevolgen van de trillingen te beperken:

- Houd bij koud weer uw lichaam warm. Draag handschoenen wanneer u de machine gebruikt om handen en polsen warm te houden. Men neemt aan dat koud weer een belangrijke factor is die bijdraagt tot het Syndroom van Raynaud.
- Doe oefeningen om de bloeddoorstroming te bevorderen na elke periode van gebruik.
- Neem regelmatig een pauze. Beperk het aantal uren dat u per dag wordt blootgesteld.

Wanneer u enige van de symptomen van deze aandoening ervaart, stop dan onmiddellijk met het gebruik van het toestel en raadpleeg uw dokter

⚠ WAARSCHUWING

Letfels kunnen optreden of verergeren door langdurig gebruik van een gereedschap. Als u een werktuig gedurende langere periodes gebruikt, neem dan regelmatig pauze.

KEN UW PRODUCT

Zie pagina 109.

1. Bladklem
2. Bladvergrendeling- / ontgrendelingshendel
3. Ontgrendelknop kophoekafstelling
4. Insteeksaagblad
5. Egaliseerblad
6. Voegmortelblad
7. Flush cut zaagblad / metalen zaagblad
8. Schuurvoet
9. Zandpapier
10. Afzuigmondstuk
11. Diepte-/hoogtemeter
12. Adapter */ **
13. Snelheidsregeling
14. Aan-/uitschakelaar
15. Hendel, geïsoleerd grijppoppervlak

R&F-kant

Compatibel met eerdere earlier generaties van RYOBI-, RIDGID- en AEG-accessoires. RYOBI is een handelsmerk van RYOBI Limited en wordt onder licentie gebruikt. RIDGID is een handelsmerk van Emerson Electric Co. AEG is een gedeponerd handelsmerk van AB Electrolux (publ) en wordt onder licentie gebruikt.

*Compatibel met accessoires van FEIN . FEIN is een handelsmerk van C. & E. Fein GmbH.

D-kant

**Compatibel met accessoires van DREMEL . DREMEL is een handelsmerk van Robert Bosch Tool Corporation.

BEDIENING

Het product wordt met een bijkomende adapter geleverd voor gebruik met zaag-, schraap- en schuuraccessoires

- EN
- FR
- DE
- ES
- IT
- NL**
- PT
- DA
- SV
- FI
- NO
- RU
- PL
- CS
- HU
- RO
- LV
- LT
- ET
- HR
- SL
- SK
- BG
- UK
- TR
- EL





van andere merken. Gebruik de adapter niet met de laatste generatie RYOBI-accessoires die met uw werktuig worden meegeleverd. Gebruik bijvoorbeeld de adapter met de letters "R&F" naar de buitenkant gericht als u de oudere generatie RYOBI-, RIDGID- of AEG-accessoires wilt gebruiken. De adapter kan worden omgekeerd om met andere accessoiremerken te worden gebruikt.

- Maak werkstukken vast met een klem om te voorkomen dat ze tijdens het schuren af zagen bewegen. Houd een werkstuk nooit met de hand vast. Een ongewilde slip tijdens het gebruik van het product kan leiden tot ernstige verwondingen.
- Wanneer u met het zaagaccessoire een insteek maakt in zacht materiaal, zoals hout en gipsplaat, breng dan het trilblad geleidelijk in het werkstuk. Duw het trilblad niet te hard in het materiaal dat moet worden gezaagd. Laat het product het werk doen en concentreer op het stabiel houden van het product en het zaagblad in de positie waarin u de insnede wilt maken.
- Gebruik de diepte-/hoogtemeter om de diepte van de zaagsnede te helpen bepalen of om te voorkomen dat u te diep in het materiaal zaagt.
- Wees extra voorzichtig bij het zagen in non-ferrometalen. Het trillende zaagblad kan doorslaan voor u begint te zagen. Indien nodig boort u enkele gaten langs de lijn waarlangs u wilt zagen om het zaagblad te helpen.
- Als het zaagaccessoire klem raakt in het werkstuk, schakelt u het product uit en ontkoppelt u het van de stroombron. Als het zaagaccessoire niet makkelijk kan worden verwijderd, laat u het voldoende afkoelen voor u het van het product verwijdert. Draag handschoenen en gebruik handgereedschap, zoals een tang of sleutel om het zaagaccessoire uit het werkstuk te verwijderen.

ONDERHOUD

⚠ WAARSCHUWING

Het product mag nooit met een stroombron worden verbonden wanneer u onderdelen monteert, schoonmaakt, onderhoudswerken uitvoert of wanneer het product niet wordt gebruikt. Ontkoppelen van het product voorkomt accidenteel opstarten, wat ernstig letsel kan veroorzaken.

⚠ WAARSCHUWING

Gebruik voor het onderhoud uitsluitend originele vervangingsonderdelen van de fabrikant. Gebruik van niet originele onderdelen kan gevaar opleveren of schade aan de machine veroorzaken.

Als het stroomsnoer is beschadigd, mag het uitsluitend worden vervangen door de fabrikant of door een geautoriseerd onderhoudscentrum om veiligheidsrisico's te vermijden. Neem contact op met een geautoriseerd onderhoudscentrum.

⚠ WAARSCHUWING

Alle reparaties moeten worden uitgevoerd door een Erkend RYOBI Servicecentrum teneinde de veilige en betrouwbare werking van de machine te garanderen.

ALGEMEEN

Voorkom het gebruik van oplosmiddelen wanneer u kunststof onderdelen reinigt. De meeste kunststoffen kunnen worden beschadigd door de in de handel zijnde oplosmiddelen. Gebruik een schone doek om vuil of stof te verwijderen.

⚠ WAARSCHUWING

Voorkom dat remvloeistoffen, benzine, petroleumproducten, kruipolie enz. in contact komen met kunststof onderdelen. Deze chemicaliën bevatten namelijk stoffen die kunststof kunnen beschadigen, verzwakken of aantasten.

Het stof van gips of gipsplaat is hard en kan tot een defect van het product leiden als het in de motor van het product raakt. Gebruik het stofverzamelaccessoire altijd in verbinding met een stofzuiger. Reinig het product grondig na gebruik met behulp van een borstel en stofzuiger. Wees voorzichtig om het vuil niet in de ventilatieopeningen te duwen. Gebruik geen perslucht om stof van het product te verwijderen. Vuil en grint dat door perslucht wordt weggeblazen, kan ernstig oogletsel veroorzaken.

SMERING

Alle lagers in het product zijn gesmeerd met voldoende kwalitatief smeermiddel voor de gehele levensduur van het product bij normale gebruiksomstandigheden. Extra smering is daarom niet noodzakelijk.

MILIEUBESCHERMING



Zorg dat grondstoffen worden gerecycled in plaats van weggegooid als afval. Om het milieu te beschermen moeten het product, de accessoires en de verpakking gesorteerd bij een erkend recyclingcentrum worden aangeleverd.

SYMBOLEN OP HET PRODUCT



Veiligheidswaarschuwing



Volt



Hertz



Wisselstroom



Watt






Onbelast toerental



Aantal toeren of omwentelingen per minuut




 EU-conformiteit
 EurAsian-symbool van overeenstemming

 Oekraïens conformiteitsymbool
001

 Klasse II-apparaat
Dubbele isolatie

 Hout –
Insteek- en flushcut

 Non-ferrometalen –
Insteek- en flushcut


 Kunststof –
Insteek- en flushcut


 Gipsplaat –
Insteek- en flushcut

 Beton –
Voegmortel verwijderen


 Tegellijm verwijderen

 Lees zorgvuldig de instructies voor u het product start.

 Draag gezichts-, gehoor- en ademhalingsbescherming.

 Elektrisch afval mag niet samen met ander huishoudafval worden weggegooid. Gelieve te recyclen indien de mogelijkheid bestaat. Neem contact op met uw gemeente of handelaar om advies te krijgen over recyclage.

 Snelheid, minimaal

 Snelheid, max.

De volgende kernwoorden en verklaringen zijn bedoeld om de gevarenniveaus die op dit toestel betrekking hebben, te verklaren.

GEVAAR

Wijst op een gevaarlijke situatie die, indien ze niet wordt vermeden, kan leiden tot ernstige verwondingen of de dood.

WAARSCHUWING

Wijst op een mogelijk gevaarlijke situatie die, indien ze niet wordt vermeden, kan leiden tot ernstige verwondingen of de dood.

LET OP


Wijst op een mogelijk gevaarlijke situatie die, indien ze niet wordt vermeden, kan leiden tot lichte of middelmatige verwondingen.


LET OP


(Zonder veiligheidssymbool) Geeft een situatie aan die materiële schade zou kunnen veroorzaken.


EN
FR
DE
ES
IT
NL
PT
DA
SV
FI
RU
NO
PL
CS
HU
RO
LV
LT
ET
HR
SL
SK
BG
UK
TR
EL

SYMBOLLEN IN DE GEBRUIKSAANWIJZING

 Opmerking

 Verbind met de stroombron.

 Ontkoppel van de stroombron.

 Onderdelen of accessoires afzonderlijk gekocht

 Vergrendeling

 Ontgrendeling

Segurança, desempenho e fiabilidade foram as prioridades na concepção da sua multi-ferramenta.

UTILIZAÇÃO PREVISTA

Esta multi-ferramenta foi desenhada para ser utilizada por adultos que tenham lido e compreendido as instruções e avisos recolhidos neste manual e que possam ser considerados responsáveis das suas ações.

A multi-ferramenta destina-se a ser utilizada:

- para lixar e acabar de metal, madeira, plástico, ou materiais semelhantes utilizando o prato de lixar com as folhas abrasivas moldadas fornecidas
- para raspagem e chanfragem em metais não ferrosos, madeira, plástico, gesso, etc. usando as lâminas de corte metálicas fornecidas
- para cortar buracos em paredes para acomodar interruptores ou tomadas de energia
- para a remoção de argamassa entre ladrilhos cerâmicos

A multi-ferramenta destina-se a ser operada em interiores em condições secas, bem iluminadas e adequadamente ventiladas.

O produto não se destina a ser usado em superfícies e materiais molhados.

Utilize o produto exclusivamente para o uso para o qual foi concebido.

⚠ AVISO

Leia com atenção todas as advertências, instruções e especificações fornecidas com a ferramenta, e consulte as ilustrações. Se alguma das instruções listadas abaixo não for cumprida, daí poderá resultar choque eléctrico, incêndio e/ou ferimentos graves.

ConsERVE estas advertências e instruções para poder consultá-las mais tarde.

AVISOS DE SEGURANÇA MULTI-FERRAMENTA

- Fixe o produto apenas em superfícies isoladoras. O acessório de corte pode tocar em cabos eléctricos ou no próprio cabo. O acessório de corte que entre em contacto com um fio "ligado" pode tornar as peças de metal da ferramenta eléctrica condutivas e tal pode causar um choque eléctrico ao operador.
- Use sempre óculos de segurança durante ao utilizar a ferramenta. Use uma máscara de pó quando produzir pó.
- Se o produto entrar em paragem espontânea, irá recommençar a funcionar automaticamente.

⚠ AVISO

O pó de certas pinturas, revestimentos e materiais pode causar irritação ou reações alérgicas no sistema respiratório. O pó de madeira como o carvalho, a faia, o MDF e outros é cancerígeno. Apenas especialistas qualificados devem utilizar o produto sobre materiais que contenham amianto.

⚠ AVISO

O produto não deve nunca ligado à corrente eléctrica durante a montagem de peças, a realização de ajustes, limpeza, operações de manutenção ou quando não está em uso. Ao deligar o produto estará a evitar um arranque acidental que pode causar lesões graves.

- Manter sempre o cabo de ligação fora da zona de acção da máquina. Direcione sempre o cabo de forma a ficar atrás de si.
- Quando trabalhar em paredes, tetos ou pisos, tome cuidado para evitar cabos eléctricos e tubos de gás ou água.

⚠ AVISO

Os acessórios metálicos ficam quentes durante a utilização e pode resultar em queimaduras na pele se contactar o operador. Use luvas quando trocar de acessórios. Tome cuidado ao configurar a ferramenta para baixo entre as operações para evitar danos ou ferimentos.

- Não use acessórios que estão danificados, rachados ou não se encaixam de forma segura no produto de corte.
- Sempre que possível, coloque o acessório de recolha de pó fornecido e conecte-o a um dispositivo de vácuo para remover o pó da área de trabalho e ajudar a evitar potencial irritação das vias respiratórias e danos à ferramenta.
- O produto vibra excessivamente durante o uso e pode causar desconforto quando operado por longos períodos de tempo. Para aliviar o desconforto e evitar lesões, fazer pausas frequentes de trabalho. Escolha uma configuração de velocidade que vai terminar o trabalho de forma eficiente. Leia as seções de riscos residuais e de redução de riscos para mais informações sobre lesões relacionadas com a vibração.

AVISOS DE SEGURANÇA ADICIONAIS

- Desligue imediatamente o dispositivo se a ferramenta de inserção parar. Não ligue o dispositivo novamente enquanto a ferramenta de inserção estiver parada, pois ao fazê-lo poderá causar um ressalto súbito com uma elevada força de reação. Descubra o problema que fez a ferramenta de inserção entrar em paragem espontânea e corrija-o, certificando-se de que cumpre todas as instruções de segurança.
 - As possíveis causas podem ser:
 - está inclinada/o na peça de trabalho
 - perfurou a peça de trabalho
 - o produto está sobrecarregado

RISCOS RESIDUAIS

Mesmo quando se utiliza o produto segundo as instruções, continua a ser impossível eliminar por completo certos fatores de risco residuais. Podem surgir os seguintes riscos durante o uso e o operador deve prestar especial



EN
FR
DE
ES
IT
NL
PT
DA
SV
FI
NO
RU
PL
CS
HU
RO
LV
LT
ET
HR
SL
SK
BG
UK
TR
EL

atenção para evitar o seguinte:

- Prejuízo causado pela poeira
 - Enquanto estiver a usar o produto, será produzida uma quantidade considerável de poeira e partículas finas. Use o dispositivo de recolha de pó ou conecte um aspirador para extração de pó ao utilizar o produto.
 - Use sempre proteção para os olhos.
 - Use máscaras protetoras com filtros adequados para os materiais com que vai trabalhar. Assegure uma ventilação adequada do local de trabalho.
 - Não coma, beba ou fume na área de trabalho.
- Lesões causadas pelo ruído e a vibração
 - Use proteção para os ouvidos
 - Não utilize o produto durante longos períodos de tempo. Consulte o ponto "Redução De Riscos".
- Risco de electrocução se os cabos elétricos forem cortadas

Segure sempre o produto pelas pegadas designadas. Não toque nas lâminas de corte ou nas partes metálicas do produto.

REDUÇÃO DO RISCO

Foi reportado que as vibrações das ferramentas de mão podem contribuir para uma doença designada de Síndrome de Raynaud em determinados indivíduos. Os sintomas podem incluir formigueiro, entorpecimento e empalidezimento dos dedos, habitualmente visível aquando da exposição ao frio. Estima-se que os factores hereditários, exposição ao frio e humidade, dieta, tabagismo e práticas de trabalho contribuem todos para o desenvolvimento destes sintomas. Existem medidas que podem ser tomadas pelo operador para possivelmente reduzir os efeitos da vibração:

- Mantenha o seu corpo quente durante o tempo frio. Ao operar a unidade, use luvas para manter as mãos e os pulsos quentes. Encontra-se reportado que o tempo frio é um grande factor que contribui para o Síndrome de Raynaud.
- Após cada período de operação, exercite para aumentar a circulação sanguínea.
- Faça pausas frequentes no trabalho. Limite o tempo de exposição por dia.

Caso sinta algum dos sintomas desta doença, interrompa de imediato a sua utilização e consulte o seu médico sobre estes sintomas.

⚠ AVISO

As lesões podem ser causadas ou agravadas pelo uso prolongado de uma ferramenta. Ao usar qualquer ferramenta durante períodos prolongados, assegure-se que faz intervalos regulares.

CONHEÇA O SEU PRODUTO

Ver a página 109.

1. Braçadeira de lâmina
2. Bloqueio Lâmina / Alavanca de libertação

3. Cabeça de ângulo ajusta o botão de libertação
4. Lâmina para cortes de rebarba
5. Espátula
6. Lâmina argamassa
7. Lâmina de corte rente / lâmina metal
8. Placa de lixar
9. lixa
10. Bico de aspiração
11. Medidor de profundidade / altura
12. Adaptador */ **
13. Controlo da velocidade
14. Interruptor desligado/ligado
15. Pega, superfícies de prensão isoladas

Lado R&F

Compatível com gerações anteriores de acessórios RYOBI, RIDGID, ou AEG. RYOBI é uma marca comercial utilizada sob licença da RYOBI Limited. RIDGID é uma marca comercial da Emerson Electric Co. AEG é uma marca comercial registada utilizada sob licença da AB Electrolux (publ).

*Compatível com acessórios FEIN. FEIN é uma marca comercial da C. & E. Fein GmbH.

Lado D

**Compatível com acessórios DREMEL. DREMEL é uma marca comercial da Robert Bosch Tool Corporation.

OPERAÇÃO

O produto é fornecido com um adaptador adicional para uso com outras marcas de corte, raspagem, lixamento e acessórios. Não use o adaptador com a última geração de acessórios RYOBI fornecidos com a sua ferramenta. Por exemplo, use o adaptador com as letras "R & F" voltado para fora se quiser usar RYOBI, RIDGID ou acessórios AEG da geração anterior. O adaptador pode ser entregue para uso com outras marcas de acessórios.

- Proteja as peças de trabalho com uma braçadeira para evitar o movimento durante lixamento ou operações de corte. Nunca segure manualmente uma peça de trabalho. Um deslizamento inadvertido durante a operação do produto pode causar ferimentos graves.
- Ao fazer cortes profundos em materiais macios, como a madeira e gesso cartonado utilizando o acessório de corte, traz gradualmente a lâmina de vibração para a peça. Não empurre a lâmina vibrante dura para o material a ser cortado. Deixe o produto fazer o trabalho e concentre-se em manter o produto e a lâmina de corte estáveis na posição que deseja fazer o corte.
- Use o medidor de profundidade / altura para ajudar a definir a sua profundidade de corte ou impedir o corte muito profundo no material.
- Tome cuidado extra no corte em metais não-ferrosos. A lâmina de corte vibrante pode saltar antes de começar a cortar. Se necessário, faça alguns furos ao longo da linha que deseja cortar para ajudar a lâmina de corte.
- Se os acessórios de corte ficarem presos na peça de trabalho, desligue o produto e desconecte-a da fonte de alimentação. Se o acessório de corte não puder ser removido facilmente, permita que os acessórios de corte arrefeçam adequadamente antes de libertar o acessório de corte do produto. Use luvas e utilizar



ferramentas manuais, tais como alicates e chave de fenda, para remover o acessório de corte da peça.

MANUTENÇÃO

⚠ AVISO

Não conecte o produto à tomada de corrente quando estiver a realizar operações de montagem de peças, limpeza e manutenção, ou quando o produto não estiver em uso. Ao deligar o produto estará a evitar um arranque accidental que pode causar lesões graves.

⚠ AVISO

Na reparação só devem ser utilizadas peças sobresselentes do fabricante. O uso de quaisquer outras peças pode criar perigo ou causar danos ao aparelho.

Se o cabo de alimentação estiver danificado, deverá ser substituído unicamente pelo fabricante ou por um centro de serviço autorizado para evitar perigos. Contacte o centro de serviço autorizado.

⚠ AVISO

Para mais segurança e fiabilidade, todas as reparações devem ser feitas por um Centro de Serviço Autorizado RYOBI.

GERAL

Evite usar solventes ao limpar as peças de plástico. A maioria dos plásticos pode ser danificada pelos solventes vendidos no comércio. Utilize um pano limpo para remover as sujidades, o pó, etc.

⚠ AVISO

Os elementos de plástico nunca devem entrar em contacto com líquido de travões, gasolina, produtos à base de petróleo, óleos penetrantes, etc. Estas substâncias contêm produtos químicos que podem danificar, enfraquecer ou destruir o plástico.

A poeira da placa de gesso e a parede é abrasiva e pode causar falha prematura do produto se tiver permissão para entrar na área do motor. Use sempre o acessório de aspiração de pó conectado a um vácuo. Limpe bem o produto após o uso, utilizando uma escova e um aspirador. Tome cuidado para não empurrar o lixo nas aberturas de ventilação. Não use ar comprimido para eliminar o pó do produto. A sujidade e as partículas eliminadas através de ar comprimido podem causar lesões oculares graves.

LUBRIFICAÇÃO

Todos os rolamentos deste produto estão lubrificados com um montante suficiente de lubrificante de elevado nível, de acordo com a duração de vida do produto em condições normais de funcionamento. Por conseguinte, não requer nenhuma lubrificação suplementar.

PROTECÇÃO DO AMBIENTE



Recicle os materiais em vez de pô-los directamente no lixo doméstico. Para proteger o ambiente, o produto, os acessórios e as embalagens devem ser seleccionados.

SÍMBOLOS NO PRODUTO



Alerta de Segurança

V

Volts

Hz

Hertz

~

Corrente alterna

W

Watts

n°

Velocidade em vazio

min⁻¹

Número de rotações ou movimentos por minuto



Conformidade CE



Marca de conformidade EurAsian



Marca de conformidade ucraniana



Equipamento de Classe II Isolamento duplo



Madeira – Chanfragem e cortes nivelados



Metais não ferrosos – Chanfragem e cortes nivelados



Plástico – Chanfragem e cortes nivelados



Painel de gesso – Chanfragem e cortes nivelados



Betão – Remoção de argamassa da cerâmica



Remoção de cola na cerâmica



Por favor, leia atentamente as instruções antes de acender o produto.



Use proteção para os olhos, ouvidos e nariz.



Os aparelhos eléctricos antigos não devem ser eliminados juntamente com o lixo doméstico. Recicle onde existem instalações para o efeito. Verifique com as suas Autoridades Locais ou revendedor para obter informações sobre reciclagem.

SÍMBOLOS NESTE MANUAL



Nota



Conecte à fonte de alimentação.



Desconecte da fonte de alimentação.



As peças ou acessórios vendem-se separadamente



Bloqueio



Abrir



Velocidade, mínimo



Velocidade, máximo

As seguintes palavras de sinal e significados destinam-se a explicar os níveis de risco associados a este produto.

⚠ PERIGO

Indica uma situação de perigo iminente, a qual, se não for evitada, pode resultar em morte ou ferimentos graves.

⚠ AVISO

Indica uma situação potencialmente perigosa que, se não for evitada, pode resultar em morte ou ferimentos graves.

⚠ CAUTELA

Indica uma situação potencialmente perigosa que, se não for evitada, pode resultar em ferimentos leves ou moderados.

CAUTELA

(Sem símbolo de segurança) Indica uma situação que pode provocar danos materiais.

Sikkerhed, ydelse og driftssikkerhed har fået topprioritet i designet af dit multiværktøj.

TILTÆNKT ANVENDELSFORMÅL

Multiværktøjet er kun beregnet til at blive brugt af voksne, som har læst og forstået instrukserne og advarslerne i denne brugsanvisning, og som kan betragtes som værende ansvarlige for deres handlinger.

Multiværktøjet er beregnet til:

- Slibning og overfladebehandling af metal, træ, plast eller lignende materialer ved hjælp af medfølgende formede slibebark
- Skrabning og dyksavning i ikke-jernholdige metaller, træ, plast, gipsplader osv ved hjælp af de medfølgende metalklinger
- Skæring af huller i vægge til indsættelse af kontakter og elstik
- Fjernelse af fugemateriale mellem keramikfliser

Multi-værktøjet er beregnet til indendørs brug i tørre, godt belyste og tilstrækkeligt ventilerede forhold.

Produktet er ikke beregnet til brug på våde materialer og overflader.

Produktet må kun bruges til de formål, der er angivet under formålsbestemt/korrekt brug.

⚠ ADVARSEL

Læs alle omhyggeligt alle advarsler, anvisninger og specifikationer, som følger med maskinen, og studer illustrationerne. Manglende iagttagelse af samtlige nedenstående instrukser kan medføre elektrisk stød, brand og/eller alvorlige personskader.

Gem vejledningen med advarsler og anvisninger til senere opslag.

SIKKERHEDSADVARSLER VEDR. MULTIVÆRKTØJER

- Produktet må kun holdes i de isolerede overflader. Skæreudstyret kan komme i kontakt med skjulte ledninger eller egen strømforsyningsledning. Hvis der skæres i en strømførende ledning, kan det gøre udsatte metaldele af maskinværktøjet strømførende og give operatøren elektrisk stød.
- Benyt altid sikkerhedsbriller, når værktøjet benyttes. Benyt støvmaske, når der udvikles støv.
- Produktet genstarter automatisk, hvis det er gået i stå.

⚠ ADVARSEL

Støv fra visse typer maling, belægninger og materialer kan forårsage irritation eller allergiske reaktioner i åndedrætssystemet. Støv fra træ som fx eg, bøg, MDF og andre er kræftfremkaldende. Kun kvalificerede fagfolk må anvende produktet på asbestholdige materialer.

⚠ ADVARSEL

Produktet må aldrig slutes til en strømforsyning, mens man er i færd med at samle dele, foretage justeringer, rengøre, udføre vedligeholdelsesarbejde, eller når produktet ikke anvendes. Ved at afbryde forbindelsen til strømforsyningen forhindrer man utilsigtet start af produktet, hvilket kan medføre alvorlige personskader.

- Tilslutningskablet holdes hele tiden væk fra maskinens arbejdsområde. Træk altid kablet bort bag dig.
- Når der arbejdes i vægge, lofter eller gulve, skal man sørge for at undgå el-, gas- eller vandledninger.

⚠ ADVARSEL

Metaludstyr vil blive varmt under brug og kan forårsage forbrænding af huden ved kontakt med operatøren. Benyt handsker, når der skiftes udstyr. Vær forsigtig, når værktøjet fralægges mellem arbejdsopgaver, så der ikke opstår (person)skader.

- Undlad at benytte skæreudstyr, som er beskadiget, revnet eller ikke passer fuldstændigt til produktet.
- Når det er muligt, skal man montere det medfølgende støvopsamlingsudstyr og slutte det til en udsugningsanordning for at fjerne støv fra arbejdsområdet og bidrage til at forebygge evt. irritation af luftvejene og skade på værktøjet.
- Produktet vibrerer kraftigt under brug og kan forårsage ubehag, hvis det benyttes i længere perioder. Man kan forebygge ubehaget og undgå personskader ved at holde hyppige arbejdspauser. Vælg en hastighedsindstilling, med hvilken arbejdet kan udføres effektivt. Læs afsnittene Uundgåelige risici og Risikoreduktion for flere oplysninger om vibrationer-relaterede skader.

EKSTRA SIKKERHEDSADVARSLER

- Sluk straks for enheden, hvis indsætningsværktøjet kører fast. Tænd ikke for enheden igen, mens indsætningsværktøjet er kørt fast, for ved at gøre det kan du udløse et pludseligt tilbageslag med en høj reaktiv kraft. Fastslå, hvorfor indsætningsværktøjet kørte fast, og foretag udbedring af dette, og vær opmærksom på sikkerhedsanvisningerne.
 - Der findes følgende mulige årsager:
 - det står skævt i emnet
 - det er trængt igennem emnet
 - produktet er overbelastet

UUNDGÅELIGE RISICI

Selv om produktet anvendes som foreskrevet, er det stadig umuligt at eliminere visse uundgåelige risikofaktorer fuldstændigt. Følgende risici kan opstå under brug, og operatøren bør være særligt opmærksom for at undgå følgende:

- Personskader forårsaget af støv
 - Når man benytter produktet, udvikles der betydelige støvmængder og fine partikler.

Brug støvopsamlingsenheden, eller tilslut en støvudsugninganordning, når produktet benyttes.

- Der skal altid benyttes øjenværn.
- Benyt åndedrætsværn med filtre, der svarer til det materiale, der arbejdes med. Sørg for tilstrækkelig ventilation på arbejdspladsen.
- Undlad at spise, drikke eller ryge i arbejdsområdet.
- Fare for personskade pga. støj og vibration
 - Benyt høreværn
 - Undlad at benytte produktet i længere perioder ad gangen. Se "Risikoreduktion".
- Der er fare for elektrisk stød, hvis der skæres i kabler. Hold altid produktet i de hertil indrettede håndtag. Undgå at gøre ved produktets skæreklinger eller metaldele.

RISIKOREDUKTION

Der er rapporteret om, at vibrationer fra håndholdte værktøjer kan være medvirkende til en lidelse kaldet Raynauds syndrom hos visse personer. Symptomerne herpå kan være prikken, følelseløshed og blegning af fingrene, der normalt viser sig ved kuldepåvirkning. Faktorer som arvelighed, udsættelse for kulde og fugt, kost, rygning og arbejdsvaner menes alle at medvirke til udviklingen af disse symptomer. Der findes forholdsregler, som operatøren kan træffe for at begrænse påvirkningen fra vibrationer:

- Hold kroppen varm i koldt vejr. Brug handsker, så hænder og vriste holdes varme under arbejdet. Der er rapporteret om, at koldt vejr er en væsentlig faktor til Raynauds syndrom.
- Motionér efter hver arbejdsperiode for at øge blodcirkulationen.
- Hold hyppige arbejdspauser. Begræns eksponeringen for vibrationer pr. dag.

Hvis du mærker nogen af symptomerne på denne tilstand, skal du straks ophøre med arbejdet og søge læge.

⚠ ADVARSEL

Længere tids brug af et værktøj kan forårsage - eller forværre - personskader. Når man bruger et værktøj i længere perioder ad gangen, skal man huske at holde hyppige pauser.

KEND PRODUKTET

Se side 109.

1. Klingefastspænding
2. Klingelås/udløsehåndtag
3. Udløseknop til justering af hovedvinklen
4. Lommesnitklinge
5. Skrabeblad
6. Fugeblad
7. Skyl skæreblad/metalblad
8. Bundplade
9. Sandpapir
10. Sugedyse
11. Dybde-/højdemåler
12. Adapter */ **

13. Hastighedskontrol
14. Tænd/Sluk-kontakt
15. Håndtag, isoleret gribeflade

R&F-side

Kompatibel med tidligere generationer af RYOBI-, RIDGID- eller AEG- tilbehør. RYOBI er et varemærke brugt under licens fra RYOBI Limited. RIDGID er et varemærke tilhørende Emerson Electric Co. AEG er et registreret varemærke brugt under licens fra AB Electrolux (publ).

*Kompatibel med FEIN-tilbehør. FEIN er et varemærke tilhørende C. & E. Fein GmbH.

D-side

**Kompatibel med DREMEL-tilbehør. DREMEL er et varemærke tilhørende Robert Bosch Tool Corporation.

BETJENING

Produktet leveres med en ekstra adapter til brug med andre mærker af skære-, skrabe- og slibeudstyr. Undlad at bruge adapteren sammen med den nyeste generation af RYOBI-tilbehør, som følger med værktøjet. Eksempelvis skal man bruge adapteren, så bogstaverne "R&F" vender udad, hvis man ønsker at bruge tidligere generation af RYOBI, RIDGID- eller AEG-tilbehør. Adapteren kan vendes til brug med andre tilbehørmærker.

- Emner skal fastgøres med en fastspændingsanordning for at forhindre bevægelse under slibe- eller skærearbejde. Hold aldrig emnet i hånden. En utilsigtet smutter, mens man betjener produktet, kan forårsage alvorlig personskade.
- Når man udfører dyksnit i bløde materialer som træ og gipsplader ved hjælp af skærende tilbehør, skal man føre den vibrerende klinge forsigtigt frem til emnet. Undgå at presse den vibrerende klinge hårdt ind i det materiale, der skal skæres. Lad produktet gøre arbejdet, og koncentrer dig om at holde produktet og skæreklingen stabil i den position, hvor snittet skal udføres.
- Brug dybde-/højdemåleren til at indstille nittyden eller til at forhindre, at der skæres for dybt ind i materialet.
- Vær ekstra forsigtig, når der skæres ikke-jernholdige metaller. Den vibrerende skæreklinge kan smutte inden påbegyndelse af skæringen. Man kan evt. bore nogle huller langs den linje, der skal skæres, for at hjælpe klingen.
- Hvis skæreudstyret sætter sig fast i emnet, skal man slukke produktet og frakoble forbindelsen til strømforsyningen. Hvis skæreudstyret ikke kan fjernes uden besvær, skal man lade det køle tilstrækkeligt af, inden man frigør det fra produktet. Benyt handsker og anvend håndværktøj som fx tang og skruenøgle til at fjerne skæreudstyret fra emnet.

VEDLIGEHOLDELSE

⚠ ADVARSEL

Produktet må aldrig sluttes til en strømforsyning, mens man er i færd med at samle dele, rengøre, udføre vedligeholdelsesarbejde, eller når produktet ikke anvendes. Ved at afbryde forbindelsen til strømforsyningen forhindrer man utilsigtet start af produktet, hvilket kan medføre alvorlige personskader.

⚠ ADVARSEL

Brug kun originale reservedele fra maskinproducenten i forbindelse med servicearbejde. Brug af alternative dele kan forårsage farlige situationer eller ødelægge produktet.

Hvis strømforsyningsledningen bliver beskadiget, må den af sikkerhedshensyn kun udskiftes af producenten eller på et autoriseret servicecenter. Kontakt et autoriseret servicecenter.

⚠ ADVARSEL

Af hensyn til brugersikkerheden og drifts- sikkerheden skal reparationer udføres på et autoriseret RYOBI serviceværksted.

GENERELT

Undgå brug af opløsningsmidler til rengøring af plastdele. De fleste plasttyper bliver ødelagt, hvis de renses med almindelige gængse opløsningsmidler. Fjern snavs, støv m.v. med en ren klud.

⚠ ADVARSEL

Plastelementerne må aldrig komme i berøring med bremsevæske, benzin, olie- eller petroleumsbaserede produkter, rustløsnende olie o. lign. Disse kemiske produkter indeholder stoffer, som kan beskadige, mørne eller ødelægge plastmaterialet.

Støvet fra gips- og vægplader er skurende og kan forårsage førtidig svigt af produktet, hvis det kommer ind i motorområdet. Brug altid støvudsugningsudstyr tilsluttet et udsugningsanlæg. Rengør produktet grundigt efter brug ved hjælp af en børste og en støvsuger. Pas på ikke at presse snavs ind i ventilationsåbningerne. Undlad at bruge trykluft til at fjerne støv fra produktet. Snavs og grus, som blæses væk med trykluft, kan forårsage alvorlige øjenskader.

SMØRING

Alle lejerne i produktet er smurt for produktets levetid under normale driftsbetingelser med en tilstrækkelig mængde højkvalitetssmøremiddel. Det er derfor ikke nødvendigt med yderligere smøring.

MILJØBESKYTTELSE



Råmaterialerne skal genbruges og ikke bortskaffes som almindeligt affald. Af hensyn til miljøet skal produkt, tilbehør og emballage sorteres med henblik på miljøvenlig bortskaffelse.

SYMBOLER PÅ PRODUKTET



Sikkerheds Varsel

V

Volt

Hz

Hertz

~

Vekselstrøm

W

Watt

n_o

Tomgangshastighed

min⁻¹

Antal omdrejninger eller bevægelser pr. Minut



CE Overensstemmelse



EurAsian overensstemmelsesmærke



Ukrainsk overensstemmelsesmærke

001



Klasse II-udstyr
Dobbelt-isolering



Træ –
Dyk- og udligningssnit



Ikke-jernholdige metaller –
Dyk- og udligningssnit



Plastik –
Dyk- og udligningssnit



Gipsvæg –
Dyk- og udligningssnit



Beton –
Fjernelse af flise fugemasse



Fjernelse af fliselim



Læs venligst vejledningen omhyggeligt inden start af produktet.



Benyttelse af øjen-, høre- og åndedrætsværn



Elektriske affaldsprodukter bør ikke afskaffes sammen med husholdningsaffald. Genbrug venligst hvor faciliteterne tillader dette. Tjek med din lokale kommune eller forhandler for genbrugsråd.

SYMBOLER I BRUGSANVISNINGEN



BEMÆRK



Slut til strømforsyningen.



Kobl fra strømforsyningen.



Dele eller tilbehør, der sælges separat



Lås



Oplås



Hastighed, mindste



Hastighed, max

De følgende ikoner og betydninger er beregnet til at forklare risikoen involveret i at anvende denne enhed.



FARE

Indikerer en umiddelbart farlig situation, som - hvis den ikke afværges - vil medføre dødsfald eller alvorlig personskade.



ADVARSEL

Indikerer en potentielt farlig situation, som - hvis den ikke afværges - kan medføre dødsfald eller alvorlig personskade.



VÆR OPMÆRKSOM

Indikerer en potentielt farlig situation, som - hvis den ikke afværges - kan medføre mindre eller middelsvær personskade.

VÆR OPMÆRKSOM

(Uden sikkerhedssymbol) indikerer en situation som kan føre til skade af personlig ejendom.

Säkerhet, prestanda och pålitlighet har varit högsta prioritet vid design av ditt multiverktyg.

ANVÄNDNINGSSOMRÅDE

Detta multiverktyg är enbart avsett att användas av vuxna som har läst och är införstådda med instruktioner och varningar i denna bruksanvisning och kan anses vara ansvariga för sina åtgärder.

Multiverktyget är avsett att användas:

- för slipning och ytbehandling av metall, trä, plast och liknande material med slipplattan och medföljande formade självhäftande slippapper
- för skrapning och tillskärning av inte järnhaltig metall, trä, plast, gipsplattor, etc. med de medföljande metallskärblåden
- för håltagning i väggar för kontakter eller eluttag
- för borttagning av murbruk mellan keramikplattor

Multiverktyget är avsett för inomhusbruk i torra, väl belysta och ventilerade förhållanden.

Produkten är inte avsedd för användning på våta materiel och ytor.

Använd inte produkten på något annat sätt än vad som är avsett.

⚠ VARNING

Läs uppmärksamt alla varningar, instruktioner och specifikationer som bifogas med detta verktyg och studera bilderna. Om inte alla instruktioner som listas här beaktas kan konsekvensen bli elektriska stötar, brand och/eller allvarliga skador.

Spara dessa varningar och instruktioner för senare behov.

SÄKERHETSVARNINGAR FÖR MULTIVERKTYG

- Håll alltid produkten i de isolerade ytorna. Skärtillbehöret kan komma åt dolda ledningar eller sin egen sladd. Vid kontakt med en strömförande kabel kan de exponerade delarna på verktyget bli strömförande och ge användaren en elektrisk stöt.
- Använd alltid skyddsglasögon vid användning av verktyget. Använd dammask när det dammar.
- Produkten startar om automatiskt om den fått motorstopp.

⚠ VARNING

Damm från viss typ av färg, ytor och material kan skapa irritation eller allergiska reaktioner i andningssystemet. Damm från trä som ek, bok, MDF och annat är cancerframkallande. Enbart utbildade personer får använda produkten på material som innehåller asbest.

⚠ VARNING

Produkten får aldrig anslutas till strömkälla under montering, justeringar, rengöring, underhåll eller när produkten inte används. Frånkoppling av produkten förhindrar uppstart av misstag vilket kan orsaka allvarliga skador.

- Nätkabeln skall alltid hållas ifrån arbetsområdet. Lägg kabeln bakåt i förhållande till arbetsriktningen.
- Vid arbete i väggar, golv eller tak ska du vara noga med att undvika el-, gas- och vattenledningar.

⚠ VARNING

Metalltillbehör blir varmt under användning och kan leda till brännskador om användaren vidrör tillbehören. Använd handskar vid byte av tillbehör. Var försiktig när verktyget sätts ned mellan åtgärder så att inga skador uppstår.

- Använd inte skärtillbehör som är skadade, spruckna eller inte passar på produkten.
- Om möjligt ska dammuppsamlartillbehör användas och anslutas till sugenhet för att t. o. m. ta bort damm från arbetsområdet och minska risken för andningsstörningar och skada på verktyget.
- Produkten vibrerar kraftigt vid användning och kan orsaka obehag om den används under längre tid. Pausa ofta för att minska obehag och undvika skada. Välj hastighetsinställning för att utföra arbetet på ett effektivt sätt. Läs i avsnittet Restrisker och Riskminskning för mer information om vibrationsrelaterade skador.

YTTERLIGARE SÄKERHETSFÖRESKRIFTER

- Stäng av apparaten omedelbart om insättningsverktyget läser sig. Sätt inte på apparaten igen medan insättningsverktyget är fastlåst, eftersom detta skulle kunna utlösa en plötslig rekyll med hög reaktiv kraft. Fastställ varför insättningsverktyget läste sig och åtgärda detta, samtidigt som du beaktar säkerhetsanvisningarna.
 - Möjliga orsaker kan vara:
 - är sned i arbetsstycket
 - har trängt igenom arbetsstycket
 - produkten är överbelastad

RESIDUALRISK

Även om produkten används enligt instruktionerna går det inte att eliminera alla eventuella riskfaktorer. Följande risker kan uppstå vid användning och operatören ska vara extra uppmärksam för att undvika följande:

- Skador orsakade av damm
 - När produkten används uppstår stora mängder damm och småpartiklar. Använd dammuppsamlare eller anslut produkter till extern dammsugare.
 - Använd alltid lämpligt ögonskydd.
 - Använd andningsskydd med filter som är lämpliga för de material som du arbetar med. Se till att arbetsplatsen är tillräckligt ventilerad.



- Ät, drick eller rök inte på arbetsområdet.
- Skador orsakade av buller eller vibrationer
 - Bär hörselskydd.
 - Använd inte produkten under längre tidsperioder. Se "Riskreducering".
- Det finns risk för elektrisk stöt om man skär i elkablar. Håll alltid produkten i avsedda handtag. Vidrör inte skärblad eller metalldelar på produkten.

RISKMINSKNING

Det finns rapporter om att vibrationer från handhållna verktyg kan bidra till ett tillstånd som kallas Raynauds syndrom för vissa personer. Symptomen brukar vara att det sticker i fingrarna och att de domnar bort; fingrarna kan också bli vita, särskilt vid kyla. Årftliga faktorer, kyla och fukt, diet, rökning och arbetsrutiner tros alla bidra till att orsaka dessa symptom. Det finns förebyggande åtgärder som du kan vidta för att försöka minska vibrationernas påverkan:

- Håll dig varm när du arbetar i kallt väder. Använd handskar för att hålla kvar värmen i händer och handleder. Kyla har rapporterats som en viktig del i utvecklandet av Raynauds syndrom.
- Träna och rör på dig efter varje användningstillfälle för att öka blodcirkulationen.
- Ta ofta pauser från arbetet. Begränsa tiden du utsätter dig varje dag.

Upphör omedelbart om du upplever några av dessa symptom och uppsök din läkare.

⚠ VARNING

Risk för person- eller slitageskador vid användning av verktyget under lång tid. Om verktyget används under längre perioder krävs regelbundna pauser.

LÄR KÄNNA DIN PRODUKT

Se sida 109.

1. Bladklämma
2. Bladlås/frigöringsspak
3. Frigöringsknapp för justering av huvudvinkel
4. Sägblad
5. Skrapblad
6. Murbruksblad
7. Skärblad/metallblad
8. Fot
9. Sandpapper
10. Sugmunstycke
11. Djup-/höjdmätare
12. Adapter */ **
13. Kontroll av hastigheten
14. Av/på-knapp
15. Handtag, isolerad greppyta

R&F-sidan

Kompatibel med tidigare generationer av tillbehör till RYOBI, RIDGID, eller AEG. RYOBI är ett varumärke som används under licens från RYOBI Limited. RIDGID är ett varumärke som tillhör Emerson Electric Co. AEG är ett

registrerat varumärke som används under licens från AB Electrolux (publ).

*Kompatibel med tillbehör från FEIN. FEIN är ett varumärke som tillhör C. & E. Fein GmbH.

D-sidan

**Kompatibel med tillbehör från DREMEL. DREMEL är ett varumärke som tillhör Robert Bosch Tool Corporation.

ANVÄNDNING

Produkten har en extra adapter för användning med andra märken av skär-, slip- och sandtillbehör. Använd inte adaptern med senaste generationen av RYOBI-tillbehör som medföljde verktyget. Exempelvis ska adaptern med bokstäverna "R&F" på utsidan användas med tidigare generationer RYOBI-, RIDGID- eller AEG-tillbehör. Adaptern kan vändas och användas med andra tillbehörsmärken.

- Säkra arbetsstycken med klämma för att förhindra rörelse under slipning eller skärning. Håll aldrig i arbetsstycket. Ett oväntat misstag under användning kan leda till allvarliga personskador.
- Vid tillskärning av mjuka material som trä och gipsplattor med skärtillbehöret ska det vibrerande bladet långsamt sänkas mot arbetsstycket. Tryck inte det vibrerande bladet för hårt i material som ska skäras. Låt produkten arbeta och koncentrera dig på att hålla produkt och skärblad stabila i önskad position för skäret.
- Använd djup-/höjdmätaren för att bestämma skärdjup eller för att inte skära för djupt i materialet.
- Var extra försiktig vid skärning i icke järnhaltiga material. Det vibrerande skärbladet kan halka runt innan skäret påbörjas. Borra vid behov några hål längs skärlinjen för att styra skärbladet.
- Om skärbladen sätter sig i arbetsstycket, stäng av produkten och koppla bort den från eluttag. Om det inte går lätt att få bort skärtillbehöret ska du låta det svalna innan du frigör tillbehöret från produkten. Använd handskar och handverktyg, som tänger och nycklar, för att ta loss skärtillbehöret från arbetsstycket.

UNDERHÅLL

⚠ VARNING

Produkten får aldrig anslutas till strömkälla under montering, rengöring, underhåll eller när produkten inte används. Frånkoppling av produkten förhindrar uppstart av misstag vilket kan orsaka allvarliga skador.

⚠ VARNING

Under servicearbete ska enbart tillverkarens originaltillbehör användas. Användning av andra delar kan orsaka fara eller produktskada.

Om strömkabeln har skadats får den enbart bytas ut av tillverkaren eller auktoriserat servicecenter för att undvika säkerhetsrisk. Kontakta auktoriserat servicecenter.



⚠ VARNING

Av säkerhetsskäl är det viktigt att alla reparationer utförs på en serviceverkstad som godkänts av RYOBI.

ALLMÄNT

Undvik att använda lösningsmedel vid rengöring av plastdelar. Flertalet plaster kan skadas vid användning av vissa lösningsmedel som säljs i affärerna. Använd en ren tygrasa för att torka bort smuts, damm, osv.

⚠ VARNING

Se till att plastdelarna aldrig kommer i kontakt med bromsvätska, bensin, produkter med petroleumbas, penetrerande oljor, osv. Dessa ämnen innehåller kemiska produkter som kan skada, försvaga eller förstöra plasten.

Damm från gips och väggskivor slipar och kan orsaka för tidigt slitage på produkten om det kommer in i motordelen. Använd alltid dammsugningstillbehöret anslutet till dammsugare. Rengör produkten noga efter användning med borste och dammsugare. Var noga med att inte få in smuts i ventilationshålen. Använd inte tryckluft för att blåsa bort smuts/damm från produkten. Smuts och partiklar som blåses bort med tryckluft kan orsaka svåra ögonskador.

SMÖRJNING

Alla lager i produkten har smorts med tillräcklig mängd högklassig smörjmedel för produktens livslängd under normala driftförhållanden. Därför behövs ingen ytterligare smörjning.

MILJÖSKYDD



Råmaterialen ska återvinnas i stället för att kastas i hushållsavfallet. För att skona miljön ska verktyget, tillbehören och emballagen sorteras.

SYMBOLER PÅ PRODUKTEN



Säkerhetsvarning

V Volt

Hz Hertz

~ Växelström

W Watt

n_o Tomgångshastighet

min⁻¹ Antal varv eller rörelser per minut



CE-konformitet



EurAsian överensstämmelsesymbol



Ukrainskt märke för överensstämmelse



Klass II-utrustning
Dubbelisolering



Trä –
Tillskärning och rena skär



Icke-järnhaltiga metaller –
Tillskärning och rena skär



Plast –
Tillskärning och rena skär



Gipsskiva –
Tillskärning och rena skär



Betong –
Ta bort puts mellan plattor



Ta bort puts som fastnat



Läs alla instruktioner noggrant innan du startar produkten.



Använd ögon-, hörsel- och andningskydd.



Gamla elektroniska produkter ska inte kastas med hushållssoporna. Återvinn där sådana faciliteter finns. Kontrollera med din lokala myndighet eller säljaren för att få återvinningstips.

SYMBOLER I MANUALEN



Notera



Anslut till eluttag.



Koppla bort från eluttag.



Delar och utrustning säljs separat



Lås



Lås upp



Hastighet, minsta



Hastighet, maximum



Följande signalord och betydelser är tänkta att förklara de olika risknivåerna som är associerade med denna produkt.

 **FARA**

Visar på en direkt riskfylld situation som, om den inte undviks, kan orsaka dödsfall eller allvarlig personskada.

 **VARNING**

Visar på en potentiellt riskfylld situation som, om den inte undviks, kan orsaka dödsfall eller allvarlig personskada.

 **FÖRSIKTIGHET**

Visar på en potentiellt riskfylld situation som, om den inte undviks, kan orsaka mindre eller måttlig personskada.

FÖRSIKTIGHET

(Utan säkerhetssymbolen) Indikerar en situation som kan leda till egendomsskada.

EN

FR

DE

ES

IT

NL

PT

DA

SV

FI

NO

RU

PL

CS

HU

RO

LV

LT

ET

HR

SL

SK

BG

UK

TR

EL



Yleistyökalun suunnittelussa on pidetty etusijalla turvallisuutta, suorituskykyä ja luotettavuutta.

KÄYTTÖTARKOITUS

Tämä yleistyökalu on tarkoitettu vain sellaisten aikuisten käytettäväksi, jotka ovat lukeneet ja ymmärtäneet tämän käsikirjan ohjeet ja varoitukset ja joita voidaan pitää vastuullisina teoistaan.

Yleistyökalu on tarkoitettu

- metallin, puun, muovien ja vastaavien materiaalien hiontaan ja viimeistelyyn käyttäen mukana toimitettuja muotoon leikattuja hioma-arkkeja
- rautaa sisältämättömien materiaalien, puun, muovin, kipsilevyn jne. kaavintaan ja uppoleikkaukseen käyttäen oheisia metallisia teriä
- reikien leikkaamiseen seiniin kytkimiä ja pistorasioita varten
- laastin poistamiseen keraamisten laattojen välistä

Yleistyökalu on tarkoitettu sisäkäyttöön kuivissa, hyvin valaistuissa ja riittävästi tuuletetuissa olosuhteissa.

Tuotetta ei ole tarkoitettu käytettäväksi märkien materiaalien tai pintojen kanssa.

Älä käytä tätä tuotetta millään muulla tavalla kuin mihin se on tarkoitettu.

VAROITUS

Lue tarkkaavaisesti kaikki tämän työkalun kanssa toimitetut varoitukset, ohjeet ja spesifikaatiot, ja katso lisäksi kuvat. Seuraavassa lueteltujen ohjeiden laiminlyönti saattaa johtaa sähköiskuun, tulipaloon ja/tai vakavaan henkilövammaan.

Säilytä nämä varoitukset ja ohjeet myöhempiä tarvetta varten.

YLEISTYÖKALUN TURVALLISUUSVAROITUKSET

- Pittele tuotetta vain eristetystä pinnasta. Leikkuuterä voi osua näkyvässä olevaan johtoon tai omaan johtoonsa. Jos leikkuri koskettaa sähköistettyä johtoa, työkalun metalliosat voivat sähköistyä ja aiheuttaa käyttäjälle sähköiskun.
- Käytä aina suojalaseja käyttäessäsi työkalua. Käytä pölynaamaria pölyisissä töissä.
- Tuote käynnistyy uudelleen automaattisesti, jos se jumittuu.

VAROITUS

Erilaisista maaleista, pinnoitteista ja materiaaleista syntyvä pöly saattaa aiheuttaa ärsytystä tai allergisia reaktioita hengitysteissä. Esim. tammen, pyökin ja MDF:n puupöly on karsinogeenistä. Vain pätevät asiantuntijat saavat käyttää tuotetta asbestia sisältäviin materiaaleihin.

VAROITUS

Tuotetta ei tule koskaan kytkeä pistorasiaan osia koottaessa, säätöjä tehtäessä, puhdistettaessa, huollon aikana tai kun tuotetta ei aiota käyttää. Tuotteen irrottaminen pistorasiasta estää sitä käynnistymättä vahingossa, jolloin vältetään mahdollisilta vakavilta vammoilta.

- Pidä sähköjohto poissa koneen käyttöalueelta. Siirrä se aina taakseen.
- Kun käsittelet seiniä, kattoja tai lattioita, varo osumasta sähköjohtoihin ja kaasu- tai vesiputkiin.

VAROITUS

Metalliset lisävarusteet kuumenevat käytössä ja voivat aiheuttaa palovammoja, jos niitä kosketetaan. Käytä lisävarusteita vaihtaessasi käsineitä. Ole varovainen laskiessasi työkalun alas estääksesi loukkaantumiset ja vammat.

- Älä käytä vahingoittuneita, lohkeilleita tai huonosti istuvia leikkuulisävarusteita.
- Asenna mahdollisuuksien mukaan oheinen pölynkeruulisävaruste ja kytke se pölynmuriin poistaaksesi pölyä työalueelta ja estääksesi hengitysteiden ärtymisen ja työkalun voittimisen.
- Tuote tärisee huomattavasti käytössä ja saattaa aiheuttaa epämukavuutta pitkällisessä käytössä. Lievennä epämukavuutta ja vältä onnettomuudet pitämällä säännöllisesti taukoja. Valitse nopeusasetus, jolla työ hoituu tehokkaasti. Lue lisätietoja tänään liittyvistä vammoista kohdasta Jäännösriskit ja Riskin vähentäminen.

MUITA TURVALLISUUSVAROITUKSIA

- Sammuta laite välittömästi, jos työntötyökalu pysähtyy. Älä käynnistä laitetta uudelleen työntötyökalun ollessa pysähdyksissä, sillä muutoin seurauksena voi olla äkillinen ja voimakas takapotku. Määritä, miksi työntötyökalu pysähtyi, ja korjaa tilanne noudattaen turvallisuusohjeita.
 - Mahdollisia syitä:
 - se on kallellaan työkappaleeseen nähden
 - se on tehnyt työkappaleeseen reiän
 - tuote on ylikuormitettu

KÄYTÖN RISKIT

Vaikka tuotetta käytettäisiin ohjeiden mukaisesti, ei ole mahdollista täysin eliminoida tiettyjä käyttöön liittyviä riskitekijöitä. Käytössä voi aiheutua seuraavia vaaroja, ja käyttäjän tulee kiinnittää erityistä huomiota niiden välttämiseen:

- Pölyn aiheuttama vamma
 - Tuotetta käytettäessä syntyy huomattava määrä pölyä ja hienoja hiukkasia. Käytä pölynkeruulaitetta tai kytke pölynpoistomuri, kun käytät tuotetta.
 - Käytä aina suojalaseja.
 - Käytä suodattimella varustettua hengityssuojainta,

joka sopii käsiteltävälle materiaalille Huolehdi työpaikalla riittävästä tuuletuksesta.

- Älä syö, juo tai tupakoi työalueella.
- Melun ja tärinän aiheuttama vamma
 - Käytä kuulosuojaimia
 - Älä käytä tuotetta pitkiä aikoja. Katso kohta Riskien Vähentäminen.
- Sähköiskun vaara, jos leikataan sähköjohtoja. Pitele tuotetta aina kahvoista. Älä kosketa tuotteen leikkuuteriä tai metalliosia.

RISKIEN VÄHENTÄMINEN

Raporttien mukaan käsikäyttöisten laitteiden tärinä voi joidenkin kohdalla myötävaikuttaa Raynaud's Syndromen (Raynaudin oireen) ilmenemiseen. Oireita ovat pistely, turtuus ja sormien kalpeneminen, yleensä kylmässä ilmassa. Perinnölliset tekijät, kylmyys ja kosteus, ruokavalio, tupakointi sekä työtavat voivat kaikki myötävaikuttaa näiden oireiden ilmenemiseen. Käyttäjä voi ehkäistä tärinän aiheuttamia vaikutuksia seuraavasti:

- Pidä itsesi lämpimänä kylmällä säällä. Käytä laitteen käytön aikana käsineitä, jotta kätesi ja ranteesi pysyvät lämpöisinä. Raporttien mukaan kylmä ilma on tärkeä tekijä Raynaud's Syndromen (Raunaudin oireiden) ilmenemisessä.
- Harjoita kunkin käyttöjakson jälkeen liikuntaa, jotta verenkierto lisääntyy.
- Pidä työn aikana säännöllisesti taukoja. Rajoita päivittäisen tärinän määrä.

Jos mitään yllä mainittuja oireita ilmenee, lopeta heti laitteen käyttö ja kerro oireista lääkärille.

VAROITUS

Laitteen pitkittynyt käyttö voi aiheuttaa tai vaikeuttaa vammoja. Kun käytät mitä tahansa laitetta pitkiä aikoja, muista pitää säännöllisiä taukoja.

TUNNE TUOTTEESI

Katso sivu 109.

1. Terän kiinnike
2. Terän lukitus/vapautusvipu
3. Pään kulman säädön vapautuspainike
4. Uputusleikkausterä
5. Kaapimen terä
6. Laastiterä
7. Tasaleikkuuterä/metalliterä
8. Luistin
9. Hiomapaperi
10. Imusuutin
11. Syvyys/korkeusmitta
12. Sovitin */ **
13. Nopeudensäätö
14. Käynnistys/sammutuskytkin
15. Kahva, eristetty tartuntapinta

R&F-sivu

Yhteensopiva seuraavien tuotteiden aikaisempien sukupolvien kanssa: RYOBI, RIDGID, tai AEG-

lisävarusteet. RYOBI on tavaramerkki, jonka lisenssinhaltija on RYOBI Limited. RIDGID on tavaramerkki, jonka omistaa Emerson Electric Co. AEG on rekisteröity tavaramerkki, jonka lisenssinhaltija on AB Electrolux (publ).

*Yhteensopiva FEIN-lisätarvikkeiden kanssa. FEIN on tavaramerkki, jonka omistaa C. & E. Fein GmbH.

D-sivu

**Yhteensopiva DREMEL-lisätarvikkeiden kanssa. DREMEL on tavaramerkki, jonka omistaa Robert Bosch Tool Corporation.

KÄYTTÖ

Tuotteen mukana toimitetaan lisäsovitin, jolla sitä voidaan käyttää muun merkisten leikkuu-, kaavinta- ja hiontaläisävarusteita. Älä käytä sovitinta käyttäessäsi työkalun mukana tulleiden uusien RYOBI-lisävarusteiden kanssa. Käytä sovitinta esimerkiksi kirjaimet "R&F ulospäin" käyttäessäsi vanhempia RYOBI-, RIDGID- tai AEG-lisävarusteita. Sovitin voidaan kääntää käytettäessä muun merkisiä lisävarusteita.

- Kiinnitä työkalupaleet puristimella estääksesi niiden liikkumisen hionnan tai leikkaamisen aikana. Älä koskaan pitele työkalupaleita käsin. Lipsahtaminen tuotetta käytettäessä voi johtaa vakavaan loukkaantumiseen.
- Kun uppoleikkaat pehmeää materiaalia, kuten puuta tai kipsilevyä, laske tärisevä terä hitaasti työkalupaleeseen. Älä paina tärisevää terää leikattavaan materiaaliin. Anna tuotteen tehdä työt ja keskity pitämään tuote ja leikkuuterä vakaasti leikkuukohtassa.
- Käytä syvyys/korkeusmittaa apuna leikkuvyyden säädössä tai estääksesi tuotetta leikkaamasta liian syvälle.
- Ole erittäin varovainen leikatessaasi raudattomia metalleja. Tärisevä leikkuuterä voi hyppelehtiä ennen kuin se alkaa leikata. Poraat tarvittaessa reikiä leikkulinjalle leikkuuterää auttaaksesi.
- Jos leikkulisävaruste jumittuu työkalupaleeseen, sammuta tuote ja irrota se pistorasiasta. Jos leikkulisävarustetta ei ole mahdollista irrottaa helposti, anna sen jäähtyä riittävästi ennen kuin irrotat sen tuotteesta. Käytä käsineitä ja irrota lisävaruste työkalupaleesta käsityökaluilla, kuten pihdeillä ja avaimella.

HUOLTO

VAROITUS

Tuotetta ei tule koskaan kytkeä pistorasiaan osia koottaessa, puhdistettaessa, huollon aikana tai kun tuotetta ei aiota käyttää. Tuotteen irrottaminen pistorasiasta estää sitä käynnistymättä vahingossa, jolloin välttyään mahdollisilta vakavilta vammoilta.

VAROITUS

Käytä huollossa ainoastaan alkuperäisiä valmistajan tuottamia varaosia. Muunlaisten osien käyttö voi aiheuttaa vaaran tai vioittaa laitetta.

Jos virtajohto vioittuu, se on vaihdettava ainoastaan valmistajalla tai valtuutetussa huollossa, jotta vältetään vaaroilta. Ota yhteyttä valtuutettuun huoltoon.

VAROITUS

Lisäturvallisuuden ja luotettavuuden takaamiseksi kaikki korjaustyöt on annettava valtuutetun RYOBI-huoltokeskuksen tehtäväksi.

YLEISTÄ

Älä puhdista muoviosia liuottimilla. Suurin osa muoveista ei siedä markkinoilla olevia määrättyjä liuotteita, jotka vahingoittavat niitä. Käytä puhdasta riepua lian, pölyn jne. puhdistukseen.

VAROITUS

Muoviosat eivät saa koskaan joutua kosketukseen jarrunesteeseen, bensiiniin, öljytuotteita, ruosteenirrotusöljyn jne. kanssa. Nämä kemialliset aineet voivat vaurioittaa, heikentää tai tuhota muovin.

Kipsistä ja seinälevyistä syntyvä pöly on hankaavaa ja saattaa aiheuttaa tuotteen ennenaikaisen rikkoutumisen, jos sitä pääsee moottoritilaan. Käytä aina pölynimuriin kytkettyä pölynpoistovarustetta. Puhdista tuote huolella käytön jälkeen harjalla ja imurilla. Varo, ettet työnnä pölyä tuuletusaukkoihin. Älä poista pölyä tuotteesta paineilmalla. Paineilman pois puhaltama lika ja rouhe voi vahingoittaa silmiä vakavasti.

VOITELU

Tuotteen laitteen laakerit on voideltu laitteen eliniäksi normaaliolosuhteissa riittävällä määrällä korkealaatuista voiteluainetta. Tästä syystä työkalu ei kaipaa lisävoitelua.

YMPÄRISTÖNSUOJELU



Älä hävitä raaka-aineita jätteinä vaan vie ne kierrätykseen. Ympäristönsuojelun kannalta laite, lisävarusteet ja pakkausmateriaali on lajiteltava.

TUOTTEESSA OLEVAT SYMBOLIT



Turvavaroitus

V Voltti

Hz Hertz

~ Vaihtovirta

W Watti

n₀ Tyhjäkäyntinopeus

min⁻¹ Kierrosten tai liikkeiden määrä minuutissa



CE-vastaavuus



EurAsian-vaatimustenmukaisuusmerkki



Ukrainalainen säädöstenmukaisuusmerkintä



Luokan II laite
Kaksoiseristys



Puu –
Uppo- ja tasaleikkaukset



Rautaa sisältämättömien metallien –
Uppo- ja tasaleikkaukset



Muovi –
Uppo- ja tasaleikkaukset



Kiviseinä –
Uppo- ja tasaleikkaukset



Betoni –
Laattojen laastin poistaminen



Laatan kiinnitteen poistaminen



Lue ohjeet huolella ennen laitteen käyttöä.



Käytä suojalaseja, kuulosuojaimia ja hengityssuojainta.



Käytöstä poistettavia sähkölaitteita ei pidä hävittää talousjätteiden mukana. Ne on mahdollisuuksien mukaan pantava kiertoon. Kierrätysohjeita antavat kunnan viranomaiset ja vähittäiskauppiat.

KÄSIKIRJAN SYMBOLIT



Huom



Kytke virtalähteeseen.



Irrota virtalähteestä.



Osat ja lisävarusteet on hankittava erikseen



Lukko



Avaa



Nopeus, pienin



Nopeus, maksimimomentti

Seuraavat signaalisanat ja merkitykset on tarkoitettu selittämään tähän tuotteeseen liittyviä riskin tasoja.

VAARA

Ilmoittaa välittömästä vaaratilanteesta, joka saattaa aiheuttaa kuoleman tai vakavan vamman.

VAROITUS

Ilmoittaa mahdollisesta vaaratilanteesta, joka saattaa aiheuttaa kuoleman tai vakavan vamman.

VAROITUS

Ilmoittaa mahdollisesta vaaratilanteesta, joka saattaa aiheuttaa pienen tai kohtalaisen vamman.

VAROITUS

(Ilman varoitusmerkkiä) Tilanne, joka voi aiheuttaa materiaalista vahinkoa.

EN

FR

DE

ES

IT

NL

PT

DA

SV

FI

NO

RU

PL

CS

HU

RO

LV

LT

ET

HR

SL

SK

BG

UK

TR

EL

Sikkerhet, ytelse og driftssikkerhet er gitt topp prioritet i konstruksjonen av ditt multiverktøy.

TILTENKT BRUK

Dette multiverktøyet skal kun brukes av voksne som har lest og forstått anvisningene og advarslene i denne brukermanualen og som kan anses å være ansvarlige for sine handlinger.

Multiverktøyet er ment brukt:

- for sliping og overflatebehandling av metall, tre, plast og lignende materialer ved bruk av slipeputen og det medfølgende tilpassede slipepapiret
- for skrapping og dypkapping i ikke-jernholdig metall, tre, plast, gipsplater etc ved bruk av de medfølgende bladene i metall
- for å kappe hull i vegger til brytere og elektriske kontakter
- for å fjerne fugemasse mellom keramiske fliser

Multiverktøyet er ment brukt innendørs i tørre og med godt opplyste og ventilerte forhold.

Produktet er ikke ment brukt på våte materialer og overflater.

Ikke bruk produktet på noe annen måte enn det som er beskrevet som tiltenkt bruk.

⚠ ADVARSEL

Les nøye gjennom alle advarslene, instruksene og spesifikasjonene som følger med verktøyet, og se på tegningene. Hvis ikke alle instruksjonene nedenfor blir fulgt, kan det føre til elektrisk støt, brann eller alvorlig personskade.

Ta vare på disse advarslene og instruksene for å se i dem senere.

SIKKERHETSADVARSLER FOR BRUK AV MULTIVERKTØY

- Hold produktet kun der overflatene er isolert. Skjæreutstyret kan komme i kontakt med egen eller skjulte elektriske ledninger. Skjæreredskap som får kontakt med strømførende elektriske ledninger kan føre til at metalldelene på verktøyet blir strømførende og at brukeren kan få støt.
- Anvend alltid sikkerhetsbriller når verktøyet brukes. Bruk en støvmaske når arbeidet produserer støv.
- Produktet vil starte på nytt automatisk hvis det stopper.

⚠ ADVARSEL

Støv fra visse malingtyper, belegg og materialer vil kunne skape irritasjoner eller allergiske reaksjoner i åndedrettssystemet. Støv fra tresorter som eik, bjørk, fiberplater og andre er kreftfremkallende. Bare kvalifiserte spesialister kan bruke produktet på materialer som inneholder asbest.

⚠ ADVARSEL

Produktet skal aldri kobles til en strømforsyning mens du monterer på deler, gjør justeringer, rengjør, utfører vedlikehold eller når produktet ikke er i bruk. Ved å koble fra produktet hindrer man utilsiktet start som kan forårsake alvorlig personskade.

- Hold ledningen alltid vekk fra maskinens virkeområde. Før ledningen alltid bakover fra maskinen.
- Når det arbeides på vegger, tak eller gulv må det påses at det ikke bores i elektriske ledninger og vann- eller gassrør.

⚠ ADVARSEL

Tilbehør av metall kan bli varmt ved bruk og kan føre til brannskår ved kontakt med brukerens hud. Bruk hansker når du skifter tilbehør. Utvis forsiktighet når du setter fra deg verktøyet mellom arbeidsoperasjoner for å unngå skade på gjenstander eller personer.

- Ikke bruk kappeutstyr som er skadet, sprukket eller som ikke lar seg montere forsvarlig til produktet.
- Når det er mulig bør den medfølgende støvoppsamleren brukes og kobles til en støvsuger for å fjerne støvet fra arbeidsområdet og bidra til å unngå potensielle åndedrettsirritasjoner og skade på verktøyet.
- Produktet kan avgi kraftige vibrasjoner under bruk og vil kunne føre til ubehag dersom verktøyet brukes over lange perioder. For å redusere ubehaget og unngå skade bør det tas regelmessige pauser fra arbeidet. Velg en hastighetsinnstilling som vil sørge for at arbeidet utføres på en effektiv måte. Les seksjonen om gjenværende risiko og risikoreduksjon for å få mer informasjon om mulige skader som følge av vibrasjoner.

SPESIELLE SIKKERHETSADVARSLER

- Slå av enheten umiddelbart hvis innføringsverktøyet stopper. Ikke slå på enheten igjen mens innføringsverktøyet er stoppet, da dette kan utløse en plutselig rekyl med høy reaktionskraft. Bestem hvorfor innføringsverktøyet stoppet og utbedre dette, samtidig som sikkerhetsanvisningene overholdes.
 - De mulige årsakene kan være:
 - det er skråttstilt i arbeidsstykket
 - det har gjennomboert arbeidsstykket
 - produktet er overbelastet

GJENVÆRENDE RISIKO

Også når produktet brukes som beskrevet, er det ikke mulig å utelukke risiko for brukere eller personer i nærheten. Følgende farer kan oppstå ved bruk og operatøren bør være spesielt oppmerksom på å unngå/sikre følgende:

- Skader skapt av støv.
 - Når produktet brukes vil det kunne produseres betydelige mengder støv og fine partikler. Bruk en støvoppsamler eller kople produktet til en støvsuger når det brukes.
 - Bruk til enhver tid øyebeskyttelse.

- Bruk åndedrettsbeskyttelse med filter som er tilpasset materialene som skal kappes Sørg for tilfredsstillende ventilasjon av arbeidsområdet.
- Ikke spis, drikk eller røyk i arbeidsområdet.
- Skade skapt av støy og vibrasjoner
 - Bruk hørselsvern
 - Ikke bruk produktet sammenhengende over lang tid. Se "Farereduksjon".
- Det er fare for dødelig elektrosjokk dersom den elektriske ledningen kappes mens den er tilkoppelt strømmettet
 - Hold alltid verktøyet i angitte håndtak. Berør aldri kappeblad eller produktets metalldele.

FAREREDUKSJON

Det foreligger rapporter om at vibrasjoner fra håndholdt verktøy for enkelte personer kan bidra til en tilstand som kalles Raynauds Syndrome. Symptomene kan omfatte følelsesløshet og gjøre fingrene bleke, vanligvis synlig ved eksponering til lave temperaturer. Arvelige faktorer, eksponering mot lave temperaturer og fuktighet, diett, røyking og arbeidspraksis blir alle ansett for å kunne bidra til å utvikle disse symptomene. Brukeren kan iverksette tiltak for mulig å redusere virkningene av vibrasjonene:

- Hold kroppen din varm i kaldt vær. Bruk hansker og hold hender og vrister varme ved bruk av gressklipperen. Det er rapportert at kaldt vær er en viktig faktor som bidrar til Raynauds Syndrome.
- Etter hver arbeidsperiode bør det utføres øvelser for å øke blodsirkulasjonen.
- Ta ofte pauser fra arbeidet som utføres. Begrens mengden av eksponering pr. dag.

Hvis du opplever noen av symptomene på denne tilstanden må du øyeblikkelig avbryte arbeidet og oppsøke en lege med disse symptomene.

⚠ ADVARSEL

Skader kan oppstå eller forsterkes ved forlenget bruk av et verktøy. Når du bruker et verktøy over en lenger tidsperiode, husk å ta regelmessige pauser.

KJENN DITT PRODUKT

- Se side 109.
1. Bladklemme
 2. Bladlås / utløserhendel
 3. Utløserknapp for justering av hodevinkel
 4. Blad for dypkutt
 5. Skrapeblad
 6. Sementfjernerblad
 7. Plankappingsblad / metallblad
 8. Såle
 9. Sandpapir
 10. Sponuttaksstuss
 11. Dybde-/høydemåler
 12. Adapter */ **
 13. Hastighetskontroll
 14. Av/På-bryter
 15. Håndtak, isolert gripeoverflate

R&F-siden

Kompatibel med tidligere generasjoner av RYOBI-, RIDGID- eller AEG-tilbehør. RYOBI er et varemerke som brukes på lisens fra RYOBI Limited. RIDGID er et varemerke som tilhører Emerson Electric Co. AEG er et registrert varemerke som brukes på lisens fra AB Electrolux (publ).

*Kompatibel med FEIN-tilbehør. FEIN er et varemerke som tilhører C. & E. Fein GmbH.

D-siden

**Kompatibel med DREMEL-tilbehør. DREMEL er et varemerke som tilhører Robert Bosch Tool Corporation.

BRUK

Produktet er utstyrt med en ekstra adapter for bruk med andre typer kappe-, skrape- og slipeutstyr. Ikke bruk adapteret til det nyeste RYOBI-tilbehøret som følger med ditt verktøy. Bruk for eksempel adapter med bokstavene "R&F" som vender utover hvis du ønsker å bruke tidligere generasjoner RYOBI, RIDGID eller AEG tilbehør. Adapteret kan snus for å brukes sammen med tilbehør fra andre produsenter.

- Hold arbeidsstykket på plass med en tvinge for å unngå at det flytter seg under sliping eller kapping. Hold aldri arbeidsstykket med hånden. En utilsiktet bevegelse mens produktet brukes kan føre til alvorlig personskade.
- Når det foretas et dypkapp i myke materialer som tre og gipsplater med kappeltilbehøret må det vibrerende bladet bevegges gradvis ned mot arbeidsstykket. Ikke press bladet inn i materialet som skal kappes. La produktet utføre arbeidet og konsentrer deg om å holde produkt og kappeblad stabilt i den posisjonen du ønsker å utføre kappet.
- Bruk dybde/høyde-måleren for å angi dybden du ønsker å kappe eller unngå å kappe for dypt inn i materialet.
- Utvis ekstra forsiktighet når det kappes i ikke-jernholdige metaller. Det vibrerende kappebladet vil kunne bevege seg rundt på arbeidsstykket før det begynner å kappe. Om nødvendig kan du bore noen hull langs den linjen du skal kappe slik at kappebladet kan utføre et rent kapp.
- Hvis kappeutstyret blokkeres i arbeidsstykket må verktøyet slås av og den elektriske ledningen tas ut av støpslet. Hvis kappeverktøyet ikke kan fjernes enkelt må verktøyet gis anledning til å kjøle seg ned før tilbehøret frakoples verktøyet. Bruk hansker og håndverktøy som knipetang og fastnøkler til å fjerne kappeltilbehøret fra arbeidsstykket.

VEDLIKEHOLD

⚠ ADVARSEL

Produktet må ikke være koblet til strømmettet når du monterer deler, foretar justeringer, rengjør, utfører vedlikehold eller når produktet ikke er i bruk. Ved å koble fra produktet hindrer man utilsiktet start som kan forårsake alvorlig personskade.

⚠ ADVARSEL

Bruk bare produsentens originale reservedeler til reparasjoner og vedlikehold. Bruk av andre deler kan skape fare eller føre til skade på produktet.

Dersom strø姆ledningen er skadet, må den skiftes av produsenten eller et autorisert serviceverksted for å unngå sikkerhetsfarer. Kontakt et autorisert servicesenter.

⚠ ADVARSEL

For større sikkerhet og pålitelighet skal alle reparasjoner foretas av et godkjent RYOBI serviceverksted.

GENERELT

Unngå bruk av løsemidler når du rengjør plastdelene. De fleste plastmaterialene kan skades ved bruk av løsningsmidlene som fås i handelen. Bruk en ren klut til å tørke bort smuss, støv osv.

⚠ ADVARSEL

Plastdeler må aldri komme i kontakt med bremsevæske, bensin, petroleumsholdige produkter, penetrerende oljer, osv. Slike kjemiske produkter inneholder stoffer som kan skade, svekke eller ødelegge platen.

Støv fra gips og veggplater har en slipende effekt og vil kunne føre til at produktet havarerer dersom støvet trenger inn i motoren. Bruk alltid en støvoppsamler koplet til en støvsuger. Rengjør verktøyet grundig etter hver gangs bruk med børste eller støvsuger. Påse at urenheter ikke presses inn i ventilasjonsåpningene. Ikke bruk komprimert luft til å fjerne støv fra produktet. Skitt og urenheter som blåses vekk med komprimert luft kan skape alvorlige øyeskader.

SMØRING

Alle lager i dette produktet skal smøres med en tilstrekkelig mengde med et høyverdig smøremiddel for å sikre lang levetid under normale driftsforhold. Det er derfor unødvendig med tilleggsmøring.

MILJØVERN



Resirkuler råmaterialer istedenfor å kaste dem i søppelen. Produktet, tilbehørene og emballasjen må sorteres for miljøvennlig resirkulering.

SYMBOLER PÅ PRODUKTET



Sikkerhetsalarm

V Volt

Hz Hertz

~ Vekselstrøm

W Watt

n₀ Hastighet ubelastet

min⁻¹ Antall omdreininger eller bevegelser pr. Minutt



CE samsvar



EurAsian Konformitetstegn



Ukrainsk merke for konformitet

001



Class II-utstyr
Dobbel isolering



Tre –
Dybde- og plankapp



Ikke-jernholdige metaller –
Dybde- og plankapp



Plast –
Dybde- og plankapp



Tørrmur –
Dybde- og plankapp



Betong –
Mørtelfjerning



Fjerning av flislim



Les instruksjonene nøye før apparatet tas i bruk.



Bruk øyne-, øre- og åndedrettsbeskyttelse.



Avfall fra elektriske produkter skal ikke kastes sammen med husholdningsavfall. Vennligst resirkulervedeksisterende avfallsbehandlingssted. Undersøk hos dine lokale myndigheter eller forhandler for råd om resirkulering.

SYMBOLER I MANUALEN



NB



Koble til strømnettet.



Koble fra strømnettet.



Deler eller tilbehør solgt separat



Lås



Låse opp



Hastighet, minimum



Hastighet, maks

Følgende symboler og betydninger forklarer risikonivået som er assosiert med dette produktet.

 **FARE**

Indikerer en umiddelbart farlig situasjon, som, dersom den ikke unngås, kan føre til alvorlig personskade eller død.

 **ADVARSEL**

Indikerer en potensiell farlig situasjon, som, dersom den ikke unngås, kan føre til alvorlig personskade eller død.

 **ADVARSEL**

Indikerer en potensiell farlig situasjon, som, dersom den ikke unngås, kan føre til mindre eller moderate skader.

ADVARSEL

(Uten sikkerhetssymbol) Indikerer en situasjon som kan resultere i skader på eiendom.

При разработке этого мультинструмента особое внимание уделялось безопасности, производительности и надежности.

НАЗНАЧЕНИЕ

Мультинструментом могут пользоваться только компетентные взрослые, которые прочли инструкции по технике безопасности, осознали опасности, связанные с эксплуатацией изделия, и могут считаться ответственными за свои действия.

Данный мультинструмент предназначен для:

- шлифования и полировки металла, древесины, пластмассы и аналогичных материалов, используя шлифовальную насадку с шлифовальными пластинами разной формы, входящими в комплект поставки
- для циклевания и врезного шлифования цветных металлов, древесины, пластика, гипсокартона и т. п., используя металлические режущие лезвия, входящие в комплект поставки
- для вырезания отверстий в стенах под выключатели или розетки
- для удаления затирки из швов между керамическими плитками

Данный мультинструмент предназначен для эксплуатации в сухих, хорошо освещенных и проветриваемых помещениях.

Данный инструмент не предназначен для использования с сырыми материалами и поверхностями.

Используйте устройство строго по назначению, указанному в настоящем руководстве.

⚠ ОСТОРОЖНО

Прочтите все указания, инструкции, иллюстрации и спецификации, поставляемый с этим электроинструментом. Несоблюдение нижеуказанных инструкций может стать причиной поражения электрическим током, пожара и/или серьезной травмы.

Храните настоящие предупреждения и инструкции для последующих консультаций.

ПРЕДОСТЕРЕЖЕНИЯ ОТНОСИТЕЛЬНО БЕЗОПАСНОГО ПОЛЬЗОВАНИЯ МУЛЬТИИНСТРУМЕНТОМ

- Держите изделие только за изолированные поверхности. Режущая насадка может войти в контакт со скрытой электропроводкой или своим шнуром питания. В результате контакта полотна с проводом, находящимся под напряжением, металлические части инструмента также могут оказаться под напряжением, что приведет к поражению работающего электрическим током.
- Всегда носите защитные очки при работе с инструментом. В пыльных условиях носите респиратор.
- Инструмент запустится автоматически в случае его остановки.

⚠ ОСТОРОЖНО

Пыль, представляющая собой частицы определенных красок, покрытий и материалов, может вызвать раздражение или аллергические реакции дыхательной системы. Пыль от дуба, бука, МДФ и прочей древесины является канцерогенной. Только квалифицированные специалисты допускаются к использованию изделия для обработки материалов, содержащих асбест.

⚠ ОСТОРОЖНО

Прибор ни в коем случае не должен подсоединяться к источнику питания, когда вы разбираете его компоненты, выполняете регулировку, очистку, проводите техническое обслуживание, или когда прибор не используется. Отсоединение прибора позволит защитить инструмент от случайного запуска, чреватого серьезными физическими травмами.

- Держите силовой провод вне рабочей зоны инструмента. Всегда прокладывайте кабель за спиной.
- При выполнении работ на стенах, потолках или полах следите за тем, чтобы не задеть электрические кабели и газовые или водопроводные трубы.

⚠ ОСТОРОЖНО

Металлические насадки нагреваются во время использования и могут вызвать ожоги кожи в случае прикосновения к ним. Выполняйте замену насадок в перчатках. Осторожно обращайтесь с инструментом между операциями, чтобы избежать повреждения или травмы.

- Не используйте режущие насадки, которые повреждены, треснуты или ненадежно прикрепляются к изделию.
- По возможности, установите устройство для сбора пыли и подключите его к пылесосу, чтобы удалить пыль из рабочей зоны и предотвратить возможное раздражение дыхательных путей и повреждение инструмента.
- Изделие сильно вибрирует во время использования и может вызвать дискомфорт при длительной работе. Чтобы уменьшить дискомфорт и избежать травм, делайте регулярные перерывы в работе. Выбирайте скорость, которая позволит эффективно выполнить работу. Прочитайте разделы «Остаточные риски» и «Уменьшение риска» для получения информации о травмах, вызываемых вибрацией.

ДОПОЛНИТЕЛЬНЫЕ ПРЕДУПРЕЖДЕНИЯ ПО ТЕХНИКЕ БЕЗОПАСНОСТИ

- В случае заклинивания установочного инструмента незамедлительно отключите устройство. Не включайте устройство повторно после заклинивания

установочного инструмента, так как это может привести к его внезапному отскоку с большой инерцией. Определите причину заклинивания установочного инструмента и устраните ее, уделяя особое внимание технике безопасности.

- Возможными причинами могут быть:
 - произошел наклон в заготовке
 - произошло проникновение сквозь заготовку
 - изделие перегружено

ОСТАТОЧНЫЕ РИСКИ

Даже когда изделие используют согласно инструкциям, невозможно полностью устранить факторы риска. Следующие опасности могут возникнуть во время его использования, и во избежание их рабочий должен обратить особое внимание на следующее:

- Травмы, вызываемые пылью
 - В результате использования данного изделия появляется значительное количество пыли и мелких частиц. Используйте устройство сбора пыли или подключайте пылеотсос при эксплуатации изделия.
 - Обязательно носите устройства для защиты глаз.
 - Носите средства защиты органов дыхания, содержащие фильтры, соответствующие обрабатываемым материалам. Обеспечьте надлежащую вентиляцию на рабочем месте.
 - Не ешьте, не пейте и не курите в рабочей зоне.
- травмы, вызываемые шумом и вибрацией
 - Применяйте средства защиты органов слуха
 - Не эксплуатируйте изделие в течение длительного периода времени без перерыва. См "Снижение Риска".
- Риск поражения электрическим током в случае повреждения электрического кабеля. Держите изделие только за предназначенные для этого ручки. Не касайтесь режущих лезвий или металлических частей изделия.

СНИЖЕНИЕ РИСКА

Считается, что вибрация ручного инструмента может привести к проявлению у отдельных лиц так называемой болезни Рейно (Raynaud's Syndrome). К симптомам могут относиться покалывание, онемение и побеление пальцев (как при переохлаждении). Считают, что наследственные факторы, охлаждение и влажность, диета, курение и практический опыт способствуют развитию этих симптомов. Ниже приводятся меры, которые может принять оператор для снижения воздействия вибрации:

- Одевайтесь теплее в холодную погоду. При работе с устройством пользуйтесь перчатками, чтобы руки и запястья были в тепле. Считается, что холодная погода является основным фактором, способствующим возникновению болезни Рейно (Raynaud's Syndrome).
- После каждого этапа работы выполните упражнения для усиления кровообращения.

- Чаще делайте перерывы в работе. Сократите длительность ежедневного пребывания на открытом воздухе.

При появлении каких-либо из указанных симптомов сразу же прекратите работу и обратитесь по их поводу к врачу.

⚠ ОСТОРОЖНО

Продолжительное использование инструмента без перерыва может привести к травмам. При использовании инструмента в течение длительного времени делайте регулярные перерывы.

ИЗУЧИТЕ ИЗДЕЛИЕ

См. стр. 109.

1. Зажим лезвия
2. Фиксатор лезвия/рычаг выключения
3. Кнопка регулировки угла головки
4. Погружное пыльное полотно
5. Скребок
6. Насадка для удаления затирки
7. Пыльное полотно для резки заподлицо/металлическая насадка
8. Лодошва
9. Наждачная бумага
10. Пыль Порт
11. Измеритель глубины/высоты
12. Адаптер */ **
13. Регулировка скорости вращения
14. Тумблер включения/выключения
15. Ручка, изолированная поверхностью захвата

Сторона R&F

Совместимо с предыдущими поколениями принадлежностей RYOBI, RIDGID и AEG. RYOBI является товарным знаком, используемым по лицензии компании RYOBI Limited. RIDGID является товарным знаком компании Emerson Electric Co. AEG является зарегистрированным товарным знаком, используемым по лицензии компании AB Electrolux (publ).

*Совместимо с принадлежностями FEIN. FEIN является товарным знаком компании C. & E. Fein GmbH.

Сторона D

**Совместимо с принадлежностями DREMEL. DREMEL является товарным знаком компании Robert Bosch Tool Corporation.

ЭКСПЛУАТАЦИЯ

Данное изделие поставляется с дополнительным адаптером для использования насадок для резки, циклевания и шлифовки других производителей. Не используйте адаптер с насадками RYOBI последнего поколения, входящими в комплект поставки инструмента. Например, используйте адаптер с буквами "R&F", смотрящими наружу, если вы хотите использовать насадки RYOBI, RIDGID или AEG более раннего поколения. Адаптер можно перевернуть, чтобы использовать с насадками других производителей.

- Закрепите заготовки зажимом для предотвращения

движения во время шлифовки или резки. Никогда не придерживайте заготовку рукой. Самопроизвольное проскальзывание заготовки во время работы изделия может привести к серьезным травмам.

- При врезном шлифовании мягких материалов, таких как древесина и гипсокартон, с помощью режущей насадки постепенно вводите вибрирующее лезвие в заготовку. Не вдавливайте вибрирующее лезвие в обрабатываемый материал. Дайте изделию выполнять обработку и сосредоточьтесь на том, чтобы крепко держать изделие и режущее лезвие в нужном положении.
- Используйте измеритель глубины/высоты, чтобы установить глубину реза или предотвратить слишком глубокое врезание в материал.
- Будьте особенно осторожны при резке цветных металлов. Вибрирующее режущее лезвие может соскользнуть, прежде чем начнет резать. При необходимости просверлите несколько отверстий вдоль линии, по которой вы хотите резать, для облегчения резки.
- Если режущая насадка застряла в заготовке, выключите изделие и отсоедините его от источника электропитания. Если снять режущую насадку оказывается затруднительно, дайте ей остыть, прежде чем отсоединять от изделия. Работайте в перчатках и используйте ручные инструменты, такие как плоскогубцы и гаечный ключ, чтобы извлечь режущую насадку из заготовки.

ТЕХНИЧЕСКОЕ ОБСЛУЖИВАНИЕ

ОСТОРОЖНО

Никогда не подключайте изделие к источнику питания при сборке деталей, регулировке, очистке, проведении техобслуживания или во время эксплуатации изделия. Отсоединение прибора позволит защитить инструмент от случайного запуска, чреватого серьезными физическими травмами.

ОСТОРОЖНО

При выполнении технического обслуживания используйте только оригинальные запчасти от производителя. Использование других запчастей может представлять опасность или повредить изделие.

Если шнур питания поврежден, он должен быть заменен только производителем или авторизованным сервисным центром во избежание опасности. Свяжитесь с авторизованным сервисным центром.

ОСТОРОЖНО

Для большей безопасности и надежности, все ремонтные работы должны быть выполнены RYOBI авторизованный сервисный центр.

ОБЩИЕ УКАЗАНИЯ

Избегайте использования растворителей во время чистки пластмассовых частей. Многие пластмассы чувствительны к воздействию различных бытовых растворителей и в результате их использования могут разрушиться. Для снятия грязи, пыли и пр. пользуйтесь чистой тряпкой.

ОСТОРОЖНО

Пластмассовые детали нельзя чистить тормозной жидкостью, бензином, нефтепродуктами, едкими маслами и т.д. Эти химикаты содержат вещества, которые могут испортить, ослабить или разрушить пластмассу.

Пыль от гипсокартона и штукатурки является абразивной и может стать причиной преждевременного выхода изделия из строя, она попадет в двигатель. Всегда используйте пылеуловитель, подключенный к пылесосу. Тщательно очищайте изделие после использования с помощью щетки или пылесоса. Следите за тем, чтобы грязь не попала в вентиляционные отверстия. Не пользуйтесь сжатым воздухом для выдувания пыли из изделия. Грязь и песок, выдуваемые сжатым воздухом, могут вызвать серьезные повреждения глаз.

СМАЗКА

Все подшипники в изделии смазаны достаточным количеством высокосортной смазки для продолжительной эксплуатации изделия в нормальных рабочих условиях. Поэтому дополнительная смазка не требуется.

ЗАЩИТА ОКРУЖАЮЩЕЙ СРЕДЫ



Утилизируйте как сырье, а не выбрасывайте как мусор. Прибор, аксессуары и упаковка должны быть отсортированы.

УСЛОВНЫЕ ОБОЗНАЧЕНИЯ НА ПРОДУКТЕ



Внимание

V

Вольт

Hz

Герц

~

Переменный ток

W

Ватт

n°

Скорость на холостом ходу

min⁻¹

Оборотов или возвратно-поступательных движений в минуту



Соответствие требованиям CE



Знак Евразийского Соответствия
Сертификат Соответствия
№ TC RU C-DE.AE11.B.04252
Срок действия Сертификата Соответствия
По 21.09.2020
Некоммерческая организация Учреждение
сертификации и экспертизы «Сертэкс»
109044 РФ, город Москва,
3-й Крутицкий переулок, дом 11



Украинский знак стандартизации



Оборудование класса II
Двойная изоляция



Древесина –
Врезное шлифование и резка заподлицо



Цветных металлов –
Врезное шлифование и резка заподлицо



Пластик –
Врезное шлифование и резка заподлицо



Гипсокартон –
Врезное шлифование и резка заподлицо



бетон –
Удаление затирки из швов между
плитками



Удаление плиточного клея



Внимательно прочтите данные инструкции
перед использованием продукта.



Носите средства защиты глаз, слуха и
органов дыхания.



Отработанная электротехническая
продукция должна уничтожаться вместе
с бытовыми отходами. Утилизируйте,
если имеется специальное техническое
оборудование. По вопросам утилизации
проконсультируйтесь с местным органом
власти или предприятием розничной
торговли.



Детали или принадлежности,
приобретаемые отдельно



Зафиксировать



Расцепить



Скорость, минимальная



Скорость, максимальная

Следующие сигнальные слова и значения
предназначены, чтобы объяснить уровни риска,
связанного с этим изделием.

ОПАСНО

Указывает на потенциально опасную ситуацию,
которая, если ее не избежать, приведет к летальному
исходу или серьезной травме.

ОСТОРОЖНО

Указывает на потенциально опасную ситуацию,
которая, если ее не избежать, может привести к
летальному исходу или серьезной травме.

ВНИМАНИЕ

Указывает на потенциально опасную ситуацию,
которая, если ее не избежать, может привести к
травме легкой или средней тяжести.

ВНИМАНИЕ

(Без Символа Тревоги Безопасности) Указывает
ситуацию, которая может кончатся повреждением
собственности.

- EN
- FR
- DE
- ES
- IT
- NL
- PT
- DA
- SV
- FI
- NO
- RU**
- PL
- CS
- HU
- RO
- LV
- LT
- ET
- HR
- SL
- SK
- BG
- UK
- TR
- EL

ОБОЗНАЧЕНИЯ В РУКОВОДСТВЕ



ПРИМЕЧАНИЕ



Подключите к источнику питания.



Отключите от источника питания.

ТРАНСПОРТИРОВКА:

Категорически не допускается падение и любые механические воздействия на упаковку при транспортировке.

При разгрузке/погрузке не допускается использование любого вида техники, работающей по принципу зажима упаковки.

ХРАНЕНИЕ:

Необходимо хранить в сухом месте.

Необходимо хранить вдали от источников повышенных температур и воздействия солнечных лучей.

При хранении необходимо избегать резкого перепада температур.

Хранение без упаковки не допускается.

СРОК СЛУЖБЫ ИЗДЕЛИЯ:

Срок службы изделия составляет 5 лет.

Не рекомендуется к эксплуатации по истечении 5 лет хранения с даты изготовления без предварительной проверки.

Дата изготовления (код даты) отштампован на поверхности корпуса изделия.

Пример:

W17 Y2015, где Y2015 - год изготовления

W17 – неделя изготовления

Определить месяц изготовления можно согласно приведенной ниже таблице, на примере 2015 года.

Обратите внимание! Количество недель в месяце различается от года в год.

Месяц	Январь	Февраль	Март	Апрель	Май	Июнь	Июль	Август	Сентябрь	Октябрь	Ноябрь	Декабрь	Год
Неделя	01	05	09	14	18	22	27	31	36	40	44	49	2015
	02	06	10	15	19	23	28	32	37	41	45	50	
	03	07	11	16	20	24	29	33	38	42	46	51	
	04	08	12	17	21	25	30	34	39	43	47	52	
	05	09	13	18	22	26	31	35	40	44	48	53	
			14			27							

W przypadku tego multinarzędzia zwrócono szczególną uwagę na zapewnienie bezpieczeństwa, wysokiej wydajności oraz niezawodności.

PRZEZNACZENIE

To multinarzędzie może być używane wyłącznie przez dorosłe osoby, które przeczytały i zrozumiały instrukcje oraz ostrzeżenia podane w tym podręczniku oraz, które mogą odpowiadać za swoje działania.

To multinarzędzie jest przeznaczone do:

- szlifowania i wykańczania metali, drewna, tworzywa sztucznego lub podobnych materiałów, przy użyciu tarczy szlifierskiej z dostarczonymi przyciętymi na wymiar arkuszami papieru ściernego
- skrobienia i szlifowania wgłębnego metali nieżelaznych, drewna, tworzywa sztucznego, tynku itp. przy użyciu dostarczonych metalowych ostrzy tnących
- wycinania otworów w ścianach do montażu włączników lub gniazd elektrycznych
- usuwania zaprawy spomiędzy płytek ceramicznych

Multinarzędzie jest przeznaczone do pracy wewnątrz pomieszczeń, w suchym, dobrze oświetlonym i wentylowanym miejscu.

Produkt nie jest przeznaczony do stosowania na mokrych materiałach i powierzchniach.

Nie należy używać tego produktu niezgodnie z przeznaczeniem.

OSTRZEŻENIE

Prosimy o uważne zapoznanie się z ostrzeżeniami, instrukcjami i specyfikacjami dostarczonymi z tym narzędziem oraz z zawartymi w nich ilustracjami. Nieprzestrzeganie wszystkich podanych poniżej instrukcji może skutkować porażeniem elektrycznym, pożarem lub.

Zachowajcie te ostrzeżenia i zalecenia, aby móc się do nich odnieść w późniejszym czasie.

OSTRZEŻENIA DOTYCZĄCE MULTINARZĘDZIA ZWIĄZANE Z BEZPIECZEŃSTWEM

- Produkt należy trzymać wyłącznie za izolowane powierzchnie. Akcesoria tnące mogą zetknąć się z ukrytymi przewodami lub z własnym przewodem zasilającym. Kontakt z przewodem pod napięciem może spowodować przepływ prądu przez metalowe elementy urządzenia i porażenie operatora.
- Podczas korzystania z narzędzia zawsze należy nosić okulary ochronne. W przypadku pylenia należy nosić maskę przeciwpyłową.
- W przypadku samoczynnego zatrzymania produkt uruchomi się automatycznie.

OSTRZEŻENIE

Pył z określonych farb, powłok oraz materiałów może powodować podrażnienie lub reakcje alergiczne układu oddechowego. Pył z drzew takich jak dąb, brzoza, z płyt MDF itp. jest rakotwórczy. W przypadku obróbki materiałów zawierających azbest produkt może być używany wyłącznie przez wykwalifikowanych specjalistów

OSTRZEŻENIE

Produkt nigdy nie może być podłączony do źródła zasilania podczas montażu części, regulacji, czyszczenia, konserwacji lub gdy nie jest używany. Odłączenie produktu zapobiegnie przypadkowemu uruchomieniu, które mogłoby spowodować poważne obrażenia ciała.

- Kabel zasilający nie może znajdować się w obszarze roboczym elektronarzędzia. Powinien on się zawsze znajdować się za operatorem.
- Przy wykonywaniu prac na ścianach, sufitach lub podłogach należy unikać kontaktu z przewodami elektrycznymi oraz rurami gazowymi i wodnymi.

OSTRZEŻENIE

Metalowe akcesoria mocno nagrzewają się podczas pracy i w przypadku dotknięcia przez operatora mogą spowodować oparzenia. Podczas zmiany akcesoriów należy nosić rękawice. Należy zachować ostrożność przy odkładaniu narzędzia, aby nie spowodować uszkodzenia lub urazu ciała.

- Nie stosować akcesoriów tnących, które są uszkodzone, pęknięte lub nie pasują do produktu.
- Gdy jest to możliwe, należy stosować akcesoria do odpylania i podłączyć je do odkurzacza, aby usunąć pył z miejsca pracy i zapobiec potencjalnemu podrażnieniu dróg oddechowych oraz uszkodzeniu narzędzia.
- Produkt mocno wibruje podczas pracy i może powodować dyskomfort w przypadku długotrwałej pracy. Aby ograniczyć dyskomfort i uniknąć urazów, należy robić często przerwy w pracy. Należy wybrać ustawienie prędkości, które zapewni efektywne wykonanie danej pracy. Więcej informacji na temat urazów spowodowanych wibracjami można znaleźć w sekcjach Dodatkowe zagrożenia oraz Ograniczenie zagrożenia.

DODATKOWE OSTRZEŻENIA BEZPIECZEŃSTWA

- Natychmiast wyłączyć urządzenie w przypadku zakleszczenia narzędzia wprowadzanego w materiał. Bezpośrednio po zakleszczeniu narzędzia wprowadzanego w materiał nie włączać produktu ponownie, ponieważ może to spowodować nagłe odbicie spowodowane wysoką siłą reakcji. Określić przyczynę zakleszczenia narzędzia wprowadzanego w materiał i usunąć ją, zwracając uwagę na zalecenia dotyczące bezpieczeństwa.

- Możliwe przyczyny:
 - przekrzywienie w obrabianym materiale
 - przebicie obrabianego materiału
 - produkt jest przeciążony

RYZIKO ZWIĄZANE Z UŻYTKOWANIEM

Nawet jeśli produkt jest używany zgodnie z zaleceniami, nadal nie jest możliwe wyeliminowanie określonych czynników ryzyka. Następujące zagrożenia mogą wystąpić podczas używania urządzenia i operator powinien zwracać szczególną uwagę na poniższe punkty:

- Urazy ciała spowodowane pyłem
 - Podczas korzystania z produktu wytwarzane są duże ilości drobnych cząstek. Podczas obsługi produktu należy używać urządzenia odpylającego lub odkurzacza.
 - Stosować przez cały czas środki ochrony oczu.
 - Należy nosić maskę ochronną z filtrem odpowiednim do obrabianego materiału. Należy zapewnić odpowiednią wentylację miejsca pracy.
 - Nie jeść, nie pić i nie palić w miejscu pracy.
- Urazy spowodowane hałasem i wibracjami
 - Stosować środki ochrony słuchu
 - Nie należy używać produktu przez dłuższy czas. Patrz "Ograniczenie Ryzyka".
- Ryzyko śmiertelnego porażenia prądem elektrycznym w przypadku przecięcia kabli elektrycznych
Produkt zawsze należy trzymać za odpowiednie uchwyty. Nie dotykać ostrzy tnących ani metalowych części produktu.

OGRANICZENIE RYZYKA

Badania dowodzą, że wibracje powodowane przez narzędzia ręczne mogą wywoływać u niektórych osób objawy syndromu Raynauda. Typowe objawy to mrowienie, drętwienie i blednięcie palców, widoczne zwykle po wystawieniu na działanie zimna. Uważa się, że czynniki dziedziczne, wystawienie na działanie zimna i wilgoci, dieta, palenie papierosów i przyjęte zwyczaje przyczyniają się do rozwoju tych objawów. Istnieją środki zaradcze, które może podjąć operator narzędzia, aby zmniejszyć efekt wibracji:

- Zadbaj w niskich temperaturach o ciepłotę własnego ciała, zakładając odpowiednie ubranie. Podczas obsługi urządzenia należy nosić rękawice, aby dłonie i nadgarstki były ciepłe. Wiadomo, że niskie temperatury są główną przyczyną powstawania objawu Raynauda.
- Podczas przerw w pracy należy wykonywać ćwiczenia poprawiające krążenie krwi..
- Podczas pracy robić częste przerwy. Ograniczyć ekspozycję w ciągu dnia.

W razie doświadczenia dowolnego z wymienionych objawów, należy niezwłocznie zaprzestać użytkowania tego urządzenia i skontaktować się z lekarzem.

⚠ OSTRZEŻENIE

Długotrwałe użytkowanie narzędzia może spowodować obrażenia ciała lub nasilić dolegliwości zdrowotne. W przypadku używania narzędzia przed dłuższy czas należy pamiętać o regularnych przerwach.

INFORMACJE O PRODUKCIE

Patrz strona 109.

1. Zacisk ostrza
2. Dźwignia blokady/zwalniania ostrza
3. Przycisk zwalniania regulacji kąta głowicy
4. Ostrze do cięcia wgłębnego
5. Ostrze do skrobania
6. Ostrze do cementu
7. Ostrze do cięcia brzegowego/metalowe ostrze
8. Płyta szlifierska
9. Papier ścierny
10. Przyłącze do odciągu trocin
11. Miernik głębokości/wysokości
12. Adapter */ **
13. Kontrolowanie prędkości
14. Przełącznik W-Wył
15. Uchwyt, izolowana powierzchnia chwytna

Strona R&F

Produkt zgodny z wcześniejszymi generacjami akcesoriów RYOBI, RIDGID oraz AEG . RYOBI jest znakiem towarowym na licencji RYOBI Limited. RIDGID jest znakiem towarowym na licencji Emerson Electric Co. AEG jest zarejestrowanym znakiem towarowym na licencji AB Electrolux (publ).

*Zgodny z akcesoriami FEIN. FEIN jest znakiem towarowym na licencji C. & E. Fein GmbH.

Strona D

**Zgodny z akcesoriami DREMEL. DREMEL jest znakiem towarowym Robert Bosch Tool Corporation.

OBSŁUGA

Produkt jest dostarczony z dodatkowym adapterem umożliwiającym używanie akcesoriów do cięcia, skrobania i szlifowania innych producentów. Nie używać adaptera z akcesoriami RYOBI najnowszej generacji dostarczonymi z narzędziem. Na przykład należy używać adaptera z literami „R&F” skierowanymi na zewnątrz w przypadku wcześniejszej generacji akcesoriów RYOBI, RIDGID lub AEG. Adapter można obrócić, aby umożliwić używanie akcesoriów innych marek.

- Zamocować obrabiany element przy użyciu zacisku, aby uniemożliwić jego poruszanie podczas szlifowania lub cięcia. Nie wolno trzymać obrabianego elementu w rękach. Przypadkowe przesunięcie produktu podczas pracy może spowodować poważne obrażenia ciała.
- W przypadku wykonywania cięcia wgłębnego w miękkich materiałach, takich jak drewno i tynk, przy użyciu akcesoriów tnących, należy stopniowo zbliżać wibrujące ostrze do obrabianego elementu. Nie należy dociskać mocno wibrującego ostrza do ciętego materiału. Nie popychać produktu na siłę i skupić się na ustabilizowaniu ostrza tnącego w pozycji umożliwiającej

skuteczne wykonanie cięcia.

- Miernik głębokości/wysokości pomaga ustalić głębokość cięcia lub chroni przed zbyt głębokim cięciem materiału.
- Należy zachować ostrożność podczas cięcia metali nieżelaznych. Wibrujące ostrze tnące może gwałtownie odskoczyć przed rozpoczęciem cięcia. W razie potrzeby należy wywiercić kilka otworów na linii cięcia, aby ułatwić cięcie za pomocą ostrza.
- W przypadku zablokowania się akcesoriów tnących w obrabianym elemencie należy wyłączyć produkt i odłączyć go od źródła zasilania. Jeśli nie można zwolnić ostrza tnącego, należy poczekać aż ostrze ostygnie, a następnie spróbować wyjąć je z produktu. Przy usuwaniu ostrza tnącego z obrabianego elementu należy używać rękawic i ręcznych narzędzi, takich jak kombinerki i klucz.

KONSERWACJA

⚠ OSTRZEŻENIE

Produkt nigdy nie może być podłączony do źródła zasilania podczas montażu części, czyszczenia, konserwacji lub gdy nie jest używany. Odłączenie produktu zapobiegnie przypadkowemu uruchomieniu, które mogłoby spowodować poważne obrażenia ciała.

⚠ OSTRZEŻENIE

Do serwisowania należy stosować wyłącznie oryginalne części zamienne producenta. Użycie jakiegokolwiek innej części mogłoby spowodować zagrożenie lub też uszkodzić wasze narzędzie.

Jeśli przewód zasilający zostanie uszkodzony, aby uniknąć ryzyka związanego z bezpieczeństwem, jego wymianę należy powierzyć wyłącznie producentowi lub autoryzowanemu serwisowi. Należy skontaktować się z autoryzowanym centrum serwisowym.

⚠ OSTRZEŻENIE

Dla większego bezpieczeństwa i lepszej pewności, wszystkie naprawy powinny być wykonywane w Autoryzowanym Punkcie Serwisowym RYOBI.

OGÓLNE

Nie stosować rozpuszczalników do czyszczenia elementów plastikowych. Większość tworzyw sztucznych, mogłyby zostać uszkodzone przez użycie rozpuszczalników dostępnych w sprzedaży. Używajcie czystej szmatki do mycia zabrudzeń, pyłu, itd.

⚠ OSTRZEŻENIE

Elementy plastikowe nigdy nie powinny być w kontakcie z płynem hamulcowym, benzyną, czy produktami na bazie ropy naftowej, przenikliwymi olejami itd. Substancje te zawierają produkty chemiczne, które mogłyby uszkodzić, osłabić lub zniszczyć plastik.

Pył z tynku oraz płyt ściennych ma właściwości ściernie i może powodować przedwczesną usterkę produktu, jeśli dostanie się do silnika. Zawsze należy używać akcesoriów do odciągania pyłu podłączonych do odkurzacza. Po użyciu produkt należy dokładnie wyczyścić przy użyciu szczotki i odkurzacza. Należy zwrócić uwagę, aby zanieczyszczenia nie przedostały się do otworów wentylacyjnych. Nie używać sprężonego powietrza do usuwania pyłu z produktu. Pył i drobne zanieczyszczenia wydmuchiwane przez sprężone powietrze mogą powodować poważne urazy oczu.

SMAROWANIE

Wszystkie łożyska produktu są smarowane przy użyciu odpowiedniej ilości wysokiej jakości smaru na cały okres eksploatacji produktu przy uwzględnieniu normalnych warunków roboczych. W wyniku czego, nie zachodzi potrzeba dodatkowego smarowania.

OCHRONA ŚRODOWISKA



Surowce należy oddawać do powtóronego przetworzenia zamiast wyrzucać je na śmieci. Z myślą o ochronie środowiska, narzędzie, akcesoria i opakowania powinny być sortowane.

SYMBOLE PRODUKTU



Alarm bezpieczeństwa

V

Wolt

Hz

Herc

~

Prąd przemienny

W

Wat

n_o

Prędkość bez obciążenia

min⁻¹

Ilość obrotów czy ruchów na minutę



Zgodność CE



Znak zgodności EurAsian



Ukraiński znak zgodności



Urządzenie II klasy
Podwójna izolacja



Drewno –
Cięcia wgłębne i brzegowe



Metali nieżelaznych –
Cięcia wgłębne i brzegowe



Tworzywo sztuczne –
Cięcia wgłębne i brzegowe



Płyty gipsowo-kartonowe –
Cięcia wgłębne i brzegowe



W betonie –
Usuwanie cementu



Usuwanie kleju z płytek



Przed uruchomieniem produktu należy
dokładnie przeczytać te instrukcje.



Stosować środki ochrony oczu, uszu i dróg
oddechowych.



Zużyte produkty elektryczne nie powinny być
użytkowane z odpadami domowymi. Prosimy
poddawać recyklingowi w odpowiednich
miejscach. Informacje o właściwych
metodach recyklingu można uzyskać u władz
lokalnych lub sprzedawcy.

NIEBEZPIECZEŃSTWO

Oznacza bezpośrednio niebezpieczną sytuację, która, jeśli nie zostanie uniknięta, spowoduje śmierć lub poważne urazy ciała.

OSTRZEŻENIE

Oznacza potencjalnie niebezpieczną sytuację, która, jeśli nie zostanie uniknięta, może spowodować śmierć lub poważne urazy ciała.

UWAGA

Oznacza potencjalnie niebezpieczną sytuację, która, jeśli nie zostanie uniknięta, może spowodować niewielkie lub umiarkowane urazy ciała.

UWAGA

(Bez symbolu bezpieczeństwa) Wskazuje na sytuację mogącą spowodować straty materialne.

SYMBOLE W INSTRUKCJI



Uwaga



Podłączyć do źródła zasilania.



Odłączyć od źródła zasilania.



Części lub akcesoria sprzedawane
oddzielnie



Blokada



Odkręcenie uchwytu



Bieg, minimalne



Bieg, maksymalny

Poniższe symbole i nazwy które im nadano, pozwalają wyjaśnić różne poziomy ryzyka związanego z używaniem tego narzędzia.



Bezpečnost, výkon a spolehlivost byli hlavní prioritou při návrhu multifunkčního nářadí.

ZAMÝŠLENÉ POUŽITÍ

Toto multifunkčního nářadí je určeno pouze pro používání dospělými osobami, které si přečetly a řádně pochopily pokyny a varování v této příručce a jsou zodpovědné za své konání.

Multifunkční nářadí je určeno k následujícímu použití:

- broušení a konečná úprava kovu, dřeva, plastu nebo podobných materiálů pomocí brusného talíře s dodanými tvarovanými brusnými listy;
- drhnutí a ponornému řezání do neželezných kovů, dřeva, plastu, sádkartonu atd. pomocí dodaných kovových řezacích nožů;
- řezání otvorů do stěn za účelem zabudování vypínačů nebo zásuvek;
- odstranění malty z prostoru mezi keramickými obklady.

Multifunkční nářadí je určeno pro provoz v interiéru, a to v suchém, dobře osvětleném a dostatečně větraném místě.

Není určeno pro používání na mokřích materiálech a plochách.

Nepoužívejte výrobek jinak než je uvedeno v určeném použití.

⚠ UPOZORNĚNÍ

Přečtěte si pozorně upozornění, pokyny a technické specifikace dodané s nářadím a prohlédněte si ilustrace. Nedodržení všech uvedených pokynů může vést k elektrickému šoku, požáru, popřípadě k závažnému poranění.

Uschovejte všechny pokyny a upozornění, abyste se k nim mohli v budoucnosti vrátit.

BEZPEČNOSTNÍ UPOZORNĚNÍ TÝKAJÍCÍ SE MULTIFUNKČNÍHO NÁŘADÍ

- Elektrický nástroj držte pouze za izolované úchopové oblasti. Příslušenství pro řezání může přijít do kontaktu se skrytými vodiči nebo s vlastním napájecím kabelem. Kontakt s „živým“ vodičem způsobí, že kovové části elektricky poháněného nástroje se stanou také „živými“ a způsobí elektrický úraz obsluze.
- Při práci s nářadím vždy používejte ochranné brýle. Pokud při práci dochází k tvorbě prachu, používejte masku proti prachu.
- Bruska se při zastavení v důsledku přetížení automaticky restartuje.

⚠ VAROVÁNÍ

Prach z určitých barev, laků a materiálů může způsobit podráždění nebo alergické reakce na dýchací ústrojí. Prach ze dřeva, jako je dub, buk, překližka a jiných, je karcinogenní. Při opracování materiálů obsahujících azbest by měli produkt používat pouze kvalifikovaní odborníci.

⚠ VAROVÁNÍ

Výrobek nikdy nepřipojujte ke zdroji napájení, když se montují díly, provádí seřizování, čištění, údržba nebo když se nepoužívá. Odpojením produktu předejdete náhodnému spuštění a tím vážnému osobnímu poranění.

- Neustále dbát na to, aby byl kabel pro připojení k elektrické síti mimo dosah stroje. Kabel vést vždy směrem dozadu od vás.
- Při práci na stěnách, stropech nebo podlahách buďte opatrní a vyhněte se elektrickým kabelům a plynovému nebo vodnímu potrubí.

⚠ VAROVÁNÍ

Při práci se kovové příslušenství zahřeje a při kontaktu s ním může dojít k popálení kůže. Při výměně příslušenství si nasadte rukavice. Buďte opatrní, jestliže mezi jednotlivými operacemi pokládáte nářadí dolů, aby nedošlo k poškození nebo zranění.

- Nepoužívejte řezací příslušenství, které je poškozené, prasklé nebo jej nelze bezpečně do výrobku uchytit.
- Pokud je to možné, namontujte přiložené příslušenství pro zachycení prachu a připojte jej k vysavači, aby byl z pracovní plochy odstraňován prach a zabránilo se možnému podráždění dýchacích cest a poškození nářadí.
- Během používání produkt nadměrně vibruje a může způsobit potíže v případě, že je provozován delší dobu. Chcete-li zmírnit nepohodlí a vyhnout se zranění, dělejte časté pracovní přestávky. Zvolte takové nastavení rychlosti, aby práce byla efektivně dokončena. Více informací o úrazech spojených s vibracemi naleznete v částech Ústatková rizika a Snížení rizik.

DOPLŇUJÍCÍ BEZPEČNOSTNÍ VAROVÁNÍ

- Pokud se otáčení nástroje při zapnutém nářadí zastaví, okamžitě nářadí vypněte. Nářadí znovu nezapínejte dokud přetrvává příčina zastavení, jinak by mohlo dojít k silnému zpětnému rázu. Určete příčinu zastavení nástroje a odstraňte tuto příčinu při dodržování bezpečnostních pokynů.
 - Možné příčiny:
 - náklon na zpracovávaném kusu,
 - proražení zpracovávaného kusu
 - výrobek je přetížen

ZBYTKOVÁ RIZIKA

Dokonce, i když se výrobek provozuje jak je předepsáno, je stále nemožné zcela eliminovat veškeré zbytkové rizikové faktory. Následující nebezpečí mohou nastat při používání; vyhybejte se:

- Zranění způsobené prachem
 - Při používání výrobku se tvoří značné množství prachu a jemných částic. Při provozování produktu používejte zařízení na zachycení prachu nebo připojte vysavač.



- Vždy noste adekvátní ochranu zraku.
- Noste dýchací masky obsahujících filtry vhodné pro obráběné materiály. Zajistit dostatečnou větrání pracoviště.
- V pracovní oblasti výrobku nejíst, nepít, ani nekouřit.
- Zranění způsobená hlukem a vibracemi
 - Noste ochranu sluchu
 - Neprovozujte produkt příliš dlouhou dobu. Viz "Snižování Rizik".
- Nebezpečí úrazu elektrickým proudem, dojde-li k nařiznutí elektrických kabelů
Vždy držte výrobek za určené rukojeti. Nedotýkejte se řezacích nožů ani kovových částí výrobku.

SNÍŽENÍ RIZIKA

Bylo zjištěno, že vibrace z ručních pracovních nástrojů mohou u některých osob přispívat ke stavu tzv. Raynaud's Syndrome (Raynaudovu syndromu). Mezi jeho příznaky patří brnění, necitlivost a zbledení prstů, patrné obvykle po pobytu v chladu. Vědci se domnívají, že k rozvinutí těchto příznaků přispívají dědičné faktory, pobyt v chladu a vlhku, strava, kouření a pracovní návyky. Uživatel může omezit případné působení vibrací použitím vhodných opatření:

- Za chladného počasí se teple oblečte. Při práci s nástrojem si navlékněte rukavice, abyste udrželi ruce a zápěstí v teple. Bylo zjištěno, že chladné počasí je hlavním faktorem přispívajícím k Raynaud's Syndrome (Raynaudovu syndromu).
- Během práce si v pravidelných intervalech zacvičte, abyste zvýšili krevní oběh.
- Zařazujte časté pracovní přestávky. Omezte dobu práce za den.

Jakmile pocítíte některý z výše uvedených příznaků tohoto syndromu, okamžitě přerušete práci a vyhledejte lékaře.

VAROVÁNÍ

Poranění mohou být způsobena, či zhoršena, prodlouženým používáním nástroje. Když používáte jakýkoliv nástroj delší dobu, dělejte pravidelné přestávky.

SEZNAMTE SE S VÝROBKEM

Viz strana 109.

1. Svorka čepele
2. Páčka pro aretaci/uvolnění čepele
3. Uvolňovací tlačítko nastavení úhlu hlavy
4. Zanořovací řezný kotouč
5. Škrabací nůž
6. Čepel na rytí
7. Čepel pro rovné řezání / čepel na kov
8. Brusná plocha
9. Smirkový papír
10. Napojení na odsávání prachu
11. Měřidlo hloubky / výšky
12. Adaptér * / **
13. Kontrola otáček
14. Spínač On/Off (Zapnuto/Vypnuto)
15. Rukojeť s izolací a protiskluzovým povrchem

Strana R&F

Kompatibilní se staršími generacemi příslušenství RYOBI, RIDGID a AEG. RYOBI je ochranná známka používaná na základě licence od společnosti RYOBI Limited. RIDGID je ochranná známka společnosti Emerson Electric Co. AEG je ochranná známka používaná na základě licence od společnosti AB Electrolux (publ).

*Kompatibilní s příslušenstvím FEIN. FEIN je ochranná známka společnosti C. & E. Fein GmbH.

Strana D

**Kompatibilní s příslušenstvím DREMEL. DREMEL je ochranná známka společnosti Robert Bosch Tool Corporation.

OBSLUHA

Výrobek je dodáván s dodatečným adaptérem, který umožňuje pro řezání, škrabání a broušení nasadit příslušenství také jiných značek. Adaptér nepoužívejte pro nejnovější generaci příslušenství RYOBI dodávaného k tomuto nářadí. Adaptér například použijte tak, aby písmena „R&F“ směřovala ven, pokud chcete používat dřívější generaci příslušenství RYOBI, RIDGID nebo AEG. Adaptér lze obrátit, chcete-li použít příslušenství jiných značek.

- Zajistěte obrobek svorkou, aby se při broušení nebo řezání nepohyboval. Obrobek nikdy nedržte rukou. Neúmyslné smeknutí při práci s výrobkem může způsobit vážné zranění.
- Při provádění zapichovacího řezu do měkkých materiálů, jako je dřevo a sádrokarton pomocí řezacího příslušenství, postupně vedte vibrační čepel k obrobku. Netlačte vibrační čepel příliš silně do řezaného materiálu. Nechte výrobek dělat svoji práci a soustředte se na udržení výrobku a řezací čepele ve stabilní pozici, kudy chcete vést řez.
- Používejte měřidlo hloubky/výšky, které vám pomůže nastavit hloubku řezu nebo zabrání vniknutí příliš hluboko do materiálu.
- Při řezání do nezelezných kovů dbejte zvýšené opatrnosti. Vibrační řezací čepel může před zahájením řezání přeskočit. V případě potřeby vyvrtejte podél linie, kterou chcete vést řez, několik děr, které usnadní řezacímu noži práci.
- Pokud řezací příslušenství v obrobku uvízne, výrobek vypněte a odpojte od elektrické sítě. V případě, že řezací příslušenství není možné snadno vyjmout, nechte ho před vyjmutím z výrobku dostatečně zchladit. Používejte ochranné rukavice a k vyjmutí řezacího příslušenství z obrobku používejte ruční nářadí, jako jsou kleště a klíč.

ÚDRŽBA

VAROVÁNÍ

Výrobek nikdy nepřipojujte ke zdroji napájení, když se montují díly, provádí seřizování, čištění, údržba nebo když se nepoužívá. Odpojením produktu předejdete náhodnému spuštění a tím vážnému osobnímu poranění.

VAROVÁNÍ

Při údržbě používejte pouze původní náhradní díly výrobce. Použití jakýchkoliv jiných dílů může vytvořit nebezpečí nebo způsobit poškození výrobku.

Pokud je napájecí kabel poškozen, musí být nahrazen pouze výrobcem nebo pověřeným servisním střediskem za účelem odstranění bezpečnostního rizika. Obratě se na autorizované servisní středisko.

VAROVÁNÍ

Z bezpečnostních důvodů a pro zajištění spolehlivosti nářadí musí být veškeré opravy prováděny v autorizované servisní opravě výrobků RYOBI.

OBECNĚ

Vyhnete se používání rozpouštědel, když čistíte plastové díly. Většina ředidel běžně dostupných v obchodní síti se nehodí k čištění plastových částí, neboť narušuje povrch plastů. K odstranění nečistot, prachu apod. použijte čistý hadr.

VAROVÁNÍ

Plastové části nářadí nesmí nikdy přijít do styku s brzdovou kapalinou, benzínem, produkty na bázi ropy, regenerovanými maznými oleji apod. Tyto výrobky obsahují chemikálie, které mohou poškodit, oslabit nebo zničit plastové části, případně snížit jejich životnost.

Prach z omítky a z desek stěn palubě je abrazivní a může způsobit předčasné selhání výrobku nebo se může dostat do prostoru motoru. Vždy používejte příslušenství pro odsávání připojené k vysavači. Po použití výrobek důkladně očistěte kartáčem a vysavačem. Dávejte pozor, aby se nečistoty nedostaly do ventilačních otvorů. K odstranění prachu z produktu nepoužívejte nikdy stlačený vzduch. Nečistoty a odpad při broušení, které byly rozfoukány stlačeným vzduchem, mohou způsobit vážné poranění očí.

MAZÁNÍ

Veškerá ložiska nářadí byla výrobcem namazána dostatečným množstvím vysoce účinného maziva, které stačí na celou dobu životnosti produktu při normálních podmínkách používání. Žádné další mazání nářadí není nutné.

OCHRANA ŽIVOTNÍHO PROSTŘEDÍ



V rámci možností neodhazujte vysloužilé nářadí do domovního odpadu a upřednostněte jeho recyklaci. Výrobek, příslušenství a obaly by měly být odevzdány k ekologické recyklaci.

SYMBOLY NA VÝROBKU



Bezpečnostní výstraha

V

Napětí

Hz

Hertz

~

Střídavý proud

W

Watt

n_o

Otáčky naprázdno

min⁻¹

Počet otáček nebo pohybů (kmitů) za minutu



Shoda CE



Euroasijská značka shody



Ukrajinská značka shody



Zařízení třídy II
Dvojitá izolace



Dřevo –
Zapichovací a rovné řezy



Neželezných kovů –
Zapichovací a rovné řezy



Plast –
Zapichovací a rovné řezy



Sádkarton –
Zapichovací a rovné řezy



Beton –
Odstranění malty z dlaždic



Odstranění lepidla z dlaždic



Před použitím přístroje si prosím řádně přečtěte tyto pokyny.



Noste ochranné prostředky pro oči a sluch a dýchací cesty.



Odpad elektrických výrobků se nesmí likvidovat v domovním odpadu. Recyklujte prosím na sběrných místech. Ptejte se u místních úřadů nebo prodejce na postup při recyklaci.

SYMBOLY POUŽITÉ V NÁVODU



Poznámka



Připojte k elektrické síti.



Odpojte od elektrické sítě.



Díly nebo příslušenství jsou v prodeji samostatně



Zamknuto



Odemknuto



Rychlost, minimum



Rychlost, maximum

Následující signální slova a významy jsou vhodné pro vysvětlení úrovně nebezpečí spojených s tímto výrobkem.

NEBEZPEČÍ

Upozorňuje na bezprostředně nebezpečnou situaci, která vede k usmrcení nebo těžkému zranění.

VAROVÁNÍ

Upozorňuje na možnou nebezpečnou situaci, která by mohla vést ke smrtelnému úrazu nebo k závažnému zranění.

POZOR

Upozorňuje na možnou nebezpečnou situaci, která může vést k menšímu nebo lehkému zranění.

POZOR

(Bez bezpečnostního výstražného symbolu) Určuje situaci, která může mít za následek vážné poškození.



A multiszerszám tervezésekor a biztonság, a teljesítmény és a megbízhatóság voltak a legfontosabb szempontok.

RENDELTETÉSSZERŰ HASZNÁLAT

Ezt a multiszerszámot csak felnőttek használhatják, akik elolvasták és megértették a kézikönyvben lévő utasításokat és figyelmeztetéseket, és felelősnek lehet őket tekinteni a teateikért.

A multiszerszám a következőkre használható:

- fém, fa, műanyag és más hasonló anyagok csiszolása és polírozása a mellékelt csiszolóeszközre felhelyezett csiszolólapokkal.
- marás és beszűrő vágás színesfém, fa, műanyag, gipszkarton stb. anyagokba a mellékelt fém vágókésekkel
- furatok vágása falakba kapcsolók vagy hálózati aljzatok elhelyezéséhez
- kerámia csempék közötti fuga eltávolítása

A multiszerszám beltérben való használatra alkalmas, száraz, jól megvilágított és megfelelően szellőztetett körülmények között.

A termék nem alkalmas nedves anyagokon és felületeken való használatra.

Ne használja a terméket a rendeltetésétől eltérő célra.

▲ FIGYELMEZTETÉS

Figyelmesen olvassa el az ehhez a szerszámhoz mellékelt összes figyelmeztetést, utasítást és műszaki adatokat, valamint tanulmányozza az ábrákat is. Ha nem tartja be a lent felsorolt összes utasítást, az áramütést, tüzet és/vagy súlyos sérülést okozhat.

Őrizze meg ezeket a figyelmeztetéseket és utasításokat a későbbi tájékozódásra is.

MULTISZERSZÁMRA VONATKOZÓ BIZTONSÁGI FIGYELMEZTETÉSEK

- A terméket csak a szigetelt felületeknél fogja. A vágóeszköz rejtett vezetékbe vagy a saját kábelébe vághat. A feszültség alatt lévő vezetékkel történő érintkezés során a szerszám fém alkatrészei áram alá kerülhetnek, minek következtében a kezelőt áramütés érheti.
- Mindig viseljen szemvédőt a szerszám használata során. Por keletkezésekor viseljen pormaszkot.
- A termék automatikusan újraindul, ha leáll.

▲ FIGYELEM

Bizonyos festékekből, bevonatokból és anyagokból a por irritációt vagy allergiás reakciót válthat ki a légzőrendszerben. A fából, pl. tölgy, bükk, MDF stb. származó por rákkeltő. Csak képzett szakemberek használhatják a terméket azbeszttel tartalmazó anyagokon.

▲ FIGYELEM

Alkatrészek szerelésekor, beállítások végzésekor, tisztításkor, karbantartás végzésekor, illetve használaton kívül mindig húzza ki a gépet az elektromos hálózatról. A termék hálózatról történő leválasztása megakadályozza a véletlen bekapcsolódást, ami súlyos sérülést okozhat.

- Munka közben a hálózati csatlakozókábelt a sérülés elkerülése érdekében a munkaterületől, illetve a készüléktől távol kell tartani. Mindig maga mögött vezesse el a kábelt.
- Ha falon, mennyezetben vagy padlón dolgozik, vigyázzon az azokban található elektromos kábelekkel, gáz- és vízcsövekkel.

▲ FIGYELEM

Fém tartozékok a használat során felforrósodnak, és a kezelővel való érintkezéskor a bőr égését okozhatják. A tartozékok cseréjekor viseljen kesztyűt. A sérülések vagy károsodások elkerülése érdekében figyeljen oda, amikor leteszi a szerszámot a műveletek között.

- Ne használjon sérült, repedt vagy olyan vágóeszközöket, melyek nem illeszkednek biztonságosan a termékre.
- Amikor csak lehetséges, helyezze fel a mellékelt porgyűjtő kiegészítőt, és csatlakoztassa azt egy elszívó eszközhez, hogy eltávolítsa a port a munkaterületről, és segítsen megelőzni a potenciális légzőszervi irritációt és a szerszám károsodását.
- A termék használat közben túlzottan vibrál, és kellemetlenséget okozhat, ha hosszú ideig működtet. A kellemetlenség enyhítéséhez és a sérülés elkerüléséhez tartson gyakran szüneteket. Válasszon a munka hatékony elvégzéséhez megfelelő fordulatszám-beállítást. Olvassa el a Fennmaradó kockázat és Kockázatsókkentés részeket a vibrációval kapcsolatos sérülésekre vonatkozó további információkért.

TOVÁBBI BIZTONSÁGI FIGYELMEZTETÉSEK

- Azonnal kapcsolja ki a készüléket, ha a illesztőszerszám elakad! Ne kapcsolja vissza a készüléket, amíg elakadt állapotban van, mert az nagy reaktív erővel hirtelen visszalökést válthat ki. Határozza meg, miért akadt el az illesztőszerszám, igazítsa ki, tekintettel a biztonsági utasításokra.
 - A lehetséges okok a következők lehetnek:
 - meg van döntve a munkadarabban
 - átfúrta a munkadarabot
 - a termék túl van terhelve

VISSZAMARADÓ KOCKÁZATOK

Még a termék rendeltetészerű használata esetén sem lehet teljesen kiküszöbölni minden kockázati tényezőt. A gép használata során a következő veszélyek merülhetnek fel, és a kezelőnek különösen oda kell figyelnie az alábbiak elkerülésére:

- Por okozta sérülések
 - A termék használata során jelentős mennyiségű

EN
FR
DE
ES
IT
NL
PT
DA
SV
FI
NO
RU
PL
CS
HU
RO
LV
LT
ET
HR
SL
SK
BG
UK
TR
EL



por és finom részecske keletkezik. Használja a porgyűjtő berendezést vagy csatlakoztasson egy porszívó berendezést a termék használatakor.

- Mindig viseljen szemvédőt.
 - Viseljen légzésvédő maszkot, ami a megmunkálendő anyagoknak megfelelő szűrőket tartalmaz Biztonsítson megfelelő szellőztetést.
 - Ne egyen, igyon vagy dohányozzon a munkaterületen.
- A zaj és vibráció sérüléseket okozhat
 - Viseljen fülvédőt
 - Ne használja hosszabb ideig a terméket. Lásd "Kockázatsökkentés".
 - Áramütés veszélye lép fel, ha belevágnak az elektromos vezetékekbe.
A terméket mindig az arra szolgáló fogantyúknál tartsa. Ne érintse meg a vágókéseket és a termék fém részeit.

KOCKÁZATSÖKKENTÉS

Arról számoltak be, hogy a kéziszerszámok használata során fellépő vibráció bizonyos személyeknél hozzájárulhat az úgynevezett Raynaud-szindróma (Raynaud's Syndrome) nevű állapot kialakulásához. A tünetei lehetnek: az ujjak zsibbadása, elfehéredése, szúrások érzése, amelyek hidegnek kitéve gyakran felerősödnek. Az örökklődő tényezők, a hidegnek kitettség és verejtékezés, a diéta, a dohányzás és munka közben alkalmazott fogások valószínűleg mind hozzájárulhatnak ezen tünetek megjelenéséhez. A vibráció hatásainak csökkentése érdekében a kezelőnek be kell tartani az alábbi óvintézkedéseket:

- Hideg időben tartsa melegen a testét. A gép használatakor viseljen kesztyűt a kéz és a csukló melegen tartásához. Arról számoltak be, hogy a hideg időjárásnak fontos szerepe van a Raynaud-szindróma kialakulásában.
- Bizonyos időtartamú használat után mindig végezzen gyakorlatokat a vérkeringés javításához.
- Gyakran tartson munkaszünetet. Korlátozza a napi munkaidőt.

Ha ezen állapot bármelyik tünetét tapasztalja, azonnal hagyja abba a munkát, és tájékoztassa az orvosát a tünetekről.

▲ FIGYELEM

A gép hosszabb idejű folyamatos használata sérüléseket okozhat vagy súlyosbíthatja a tüneteket. Ha a gépet hosszú időn át kell használnia, tartson gyakran szünetet.

ISMERJE MEG A TERMÉKET

Lásd 109. oldal.

1. Késrögzítő
2. Kés reteszelő / kioldó kar
3. Fej szögállítása kioldógomb
4. Szűrővágó fűrészlap
5. Kaparókés
6. Fugakés

7. Szintbevágó kés / fémkés
8. Csiszolótalp
9. Csiszolópáír
10. Porelszívó csonk
11. Mélység-/magasságmérő
12. Adapter */ **
13. Sebességszabályozás
14. Be/ki kapcsoló
15. Kar, szigetelt fogófelület

R&F oldal

A RYOBI, RIDGID illetve AEG tartozékok korábbi generációival kompatibilis. A RYOBI a RYOBI Limited licencelt védjegye. A RIDGID az Emerson Electric Co védjegye. Az AEG az AB Electrolux (publ) licence keretében regisztrált védjegy.

*FEIN tartozékokkal kompatibilis. A FEIN a C. & E. Fein GmbH védjegye.

D oldal

**DREMEL tartozékokkal kompatibilis. A DREMEL a Robert Bosch Tool Corporation védjegye.

HASZNÁLAT

A termék rendelkezik egy extra adapterrel más márkájú vágó, kaparó és csiszoló kiegészítők használatához. Ne használja az adaptert a szerszámhoz mellékelte, legutolsó generációs RYOBI tartozékokkal. Például, az adaptert az "R&F" betűjellel kifelé használja, ha korábbi generációjú RYOBI, RIDGID vagy AEG kiegészítőket szeretne használni. Lehetséges, hogy meg kell fordítani az adaptert a más márkájú kiegészítővel való használathoz.

- Egy szorítóval rögzítse a munkadarabot, hogy meggátolja a mozgását a csiszolási vagy vágási műveletek közben. Ne tartsa a kezével a munkadarabot. Egy véletlen megcsúszás a termék működtetése közben súlyos személyi sérülést okozhat.
- Amikor puha anyagba, pl. fába vagy gipszkartonba végez beszuró vágást a vágó tartozékkal, fokozatosan vigye közelebb a rezgőkést a munkadarabhoz. Ne nyomja bele erősen a rezgőkést vágandó anyagba. Hagyja, hogy a termék végezze el a munkát, és koncentráljon arra, hogy a terméket és a vágókést abban a pozícióban tartsa stabilan, amelyben a vágást el kívánja végezni.
- A mélység-/magasságmérő segítségével állítsa be a vágás mélységét vagy ezzel kerülje el az anyagba történő túl mély bevágást.
- Színesfémek vágásakor különösen figyeljen oda. A rezgőkés a vágás megkezdése előtt kiugorhat oldalra. Ha szükséges, fúrjon néhány lyukat a vágási vonal mentén, hogy segítse a vágókés haladását.
- Ha a vágóeszközök beragadnak a munkadarabba, kapcsolja ki a terméket, és húzza ki az elektromos hálózatról. Ha a vágóeszköz könnyen nem távolítható el, hagyja megfelelően lehűlni a vágóeszközt annak a termékből való kihúzása előtt. Viseljen kesztyűt, és használjon kéziszerszámokat, pl. fogót és kulcsot, hogy eltávolítsa a vágóeszközt a munkadarabról.

KARBANTARTÁS

⚠ FIGYELEM

Alkatrészek szerelésekor, tisztításkor, karbantartás végzésekor, illetve használaton kívül mindig húzza ki a gépet az elektromos hálózatról. A termék hálózatról történő leválasztása megakadályozza a véletlen bekapcsolódást, ami súlyos sérülést okozhat.

⚠ FIGYELEM

Szervizeléskor csak eredeti, a gyártó által biztosított cserealkatrészeket használjon. Bármilyen más alkatrész használata veszélyes és a termék károsodását okozhatja.

Ha a tápkábel sérült, azt a veszélyek elkerülése érdekében csak a gyártó vagy annak hivatalos szervizközpontja cserélheti ki. Lépjen kapcsolatba egy hivatalos szervizközponttal.

⚠ FIGYELEM

A biztonság és a megbízhatóság érdekében, minden javítási munkát egy RYOBI Szerviz Központban végeztessen el.

ÁLTALÁNOS

A műanyag részek tisztításakor tartózkodjon a tisztítószeresek használatától. A kereskedelmi forgalomban kapható oldószerek rongáló hatással vannak a műanyagból készült elemek többségére. A por és egyéb szennyeződések stb. tisztítására használjon egy tiszta ruhadarabot.

⚠ FIGYELEM

A műanyag részek semmilyen körülmények között nem érintkezhetnek fékolajjal, benzinnel, petróleum alapú termékekkel, beszívódó olajokkal, stb. Ezen anyagok olyan vegyületeket tartalmaznak, amelyek károsíthatják, meggyengíthetik vagy tönkretelthetik a műanyagot.

A gipszkartonból és farostlemezéből származó por csiszoló hatású és a termék idő előtti meghibásodását okozhatja, ha bejut a motorterületre. Egy elszívó berendezéshez csatlakoztatva mindig használja a porkivezető tartozékot. Használat után egy kefével és porszívóval alaposan tisztítsa meg a terméket. Ügyeljen rá, hogy ne nyomja be a koszt a szellőzőnyílásokba. Ne használjon sűrített levegőt a pornak a termékről való eltávolításához. A szennyeződés és a porszemcsék sűrített levegővel való elfújása súlyos zemsérülést okozhat.

KENÉS

A termékben lévő összes csapágy a termék teljes élettartamára elegendő kenőanyaggal van feltöltve, normál körülmények közötti használat esetén. Ebből kifolyólag nincs szükség arra, hogy a gép belső részeit kenje.

KÖRNYEZETVÉDELEM



Segítse elő az alapanyagok újrahasznosítását azzal, hogy nem helyezi el őket a háztartási szemétben. Környezetvédelmi megfontolásból az elhasznált termékét és tartozékokat, valamint a csomagolóanyagokat szelektív módon kell gyűjteni.

SZIMBÓLUMOK A TERMÉKEN



Biztonsági figyelmeztetés



Volt



Hertz



Váltóáram (AC)



Watt



Üresjárat fordulatszám



Fordulatok ill. löketek száma percenként



CE megfeleléség



Eurázsiai megfeleléségi jelzés



Ukrainai megfeleléségi nyilatkozat



II. osztályú berendezés
Kettős szigetelés



Fa –
Beszívó- és szintbevéágások



Nem mágneses fémek –
Beszívó- és szintbevéágások



Műanyag –
Beszívó- és szintbevéágások



Száralfalazat –
Beszívó- és szintbevéágások



Betonban –
Csempefuga eltávolítása



Csemperagasztó eltávolítása



Kérjük, olvassa át gondosan ezt az útmutatót a termék beindítása előtt.



Viseljen szem-, fül- és légzésvédőt



A kiselejtezett elektromos termékeket nem szabad a háztartási hulladékkal együtt kidobni. Ezeket újra kell hasznosítani, ha van rá lehetőség. Az újrahasznosítással kapcsolatban érdeklődjön a helyi önkormányzatnál vagy a termék forgalmazójánál.

A KÉZIKÖNYVBEN HASZNÁLT SZIMBÓLUMOK



MEGJEGYZÉS



Csatlakoztassa az elektromos hálózathoz.



Húzza ki az elektromos hálózathoz.



Külön értékesített alkatrészek és kiegészítők



Retesz



Szétnyitás



Fordulatszám, minimális



Fordulatszám, maximális

A következő jelölőszavak és jelentések arra szolgálnak, hogy megmagyarázzák a termékkel kapcsolatos veszélyességi szinteket.

VESZÉLY

Egy bekövetkező veszélyes helyzetet jelez, ami, ha nem előzik meg, halált vagy komoly sérülést eredményez.

FIGYELEM

Egy potenciálisan bekövetkező veszélyes helyzetet jelez, ami, ha nem előzik meg, halált vagy súlyos sérülést eredményezhet.

VIGYÁZAT

Egy potenciálisan veszélyes helyzetet jelez, ami, ha nem előzik meg, kisebb vagy mérsékelt súlyos sérülést eredményezhet.

VIGYÁZAT

(Biztonsági figyelmeztető szimbólum nélkül) Egy olyan helyzetet jelez, ami anyagi kárt eredményezhet.

Au fost acordate priorități maxime asupra siguranței, performanței și fiabilității în proiectarea sculei dvs. multifuncționale.

DOMENIU DE APLICAȚII

Această sculă multifuncțională este destinată a fi folosită doar de adulții care au citit și înțeles instrucțiunile și avertizările din acest manual și pot fi considerați responsabili pentru acțiunile lor.

Această sculă multifuncțională este destinată a fi folosită:

- pentru șlefuirea și finisarea metalului, lemnului, plasticului sau materialelor similare folosind talpa de șlefuire împreună cu șmirghelul la formă furnizat.
- pentru răzuire sau tăieri tip decupare în materiale neferoase, lemn, plastic, ghips carton etc, folosind lamele metalice de tăiere furnizate.
- pentru a tăia găuri în pereți pentru a putea potrivi întrerupătoare sau prize electrice.
- pentru a îndepărta mortarul dintre plăcile de gresie.

Această sculă multifuncțională este destinată a fi operată doar în interior în condiții uscate, bine iluminate și corespunzător aerisite.

Produsul nu este proiectat a fi folosit pe materiale și suprafețe umede.

Nu folosiți produsul în niciun alt fel decât cel menționat pentru folosirea lui destinată.

AVERTISMENT

Citiți, cu atenție, toate avertismentele, instrucțiunile și specificațiile furnizate împreună cu aparatul, și consultați ilustrațiile. Nerespectarea instrucțiunilor de mai jos poate avea consecințe grave: electrocutări, incendii sau vătămări corporale grave.

Păstrați aceste avertismente și instrucțiuni, pentru a le putea consulta ulterior.

AVERTIZĂRI DE SIGURANȚĂ A SCULEI MULTIFUNCȚIONALE

- Țineți produsul doar de suprafețele izolate. Accesorii de tăiere ar putea să vină în contact cu firele electrice ascunse sau cu propriul cablu de alimentare. Accesorii de tăiere ce intră în contact cu un cablu sub curent ar putea alimenta electric părțile metalice expuse ale unelei electrice și ar putea expune operatorul la un șoc electric.
- Purtați întotdeauna ochelari de protecție în timpul operării aparatului. Purtați o mască împotriva prafului atunci când este produs praful.
- Produsul va fi repornit automat dacă se blochează.

AVERTISMENT

Praf de la anumite vopsele, tencuieli și materiale pot cauza iritații sau reacții alergice ale sistemului respirator. Praful de la lemn precum stejarul, fagul, PAL-ul și altele sunt cancerigene. Doar specialiștilor calificați le este permis să folosească produsul pe materiale conținând azbest.

AVERTISMENT

Produsul nu trebuie conectat niciodată la priză atunci când asamblați părțile, faceți reglaje, curățați sau faceți întreținerea, sau atunci când părodsul nu este folosit. Deconectarea produsului va preveni pornirea accidentală ce poate cauza vătămare gravă.

- Păstrați cablul de alimentare la distanță de aria de lucru a mașinii. Întotdeauna țineți cablul în spatele dvs.
- Atunci când lucrați la pereți, tavane sau podele, fiți atent pentru a evita cablurile electrice și țevile de gaz sau apă.

AVERTISMENT

Accesorii metalice vor deveni fierbinți în timpul folosirii și pot cauza arsuri de piele dacă vin în contact cu operatorul. Purtați mănuși când schimbați accesoriile. Fiți atent când puneți jos aparatul între operațiuni pentru a preveni deteriorarea sau rănirea.

- Nu folosiți accesoriile de tăiere care prezintă urme de deteriorare, sunt crăpate sau nu se potrivesc fix produsului.
- Oricând e posibil, atașați accesoriul furnizat de colectare a prafului și conectați-l la un aspirator pentru a îndepărta praful din zona de lucru și pentru a ajuta la prevenirea iritației la respirație și pentru a nu deteriora aparatul.
- Produsul vibrează excesiv în timpul folosirii și poate cauza neplăceri dacă este operat pe perioade lungi de timp. Pentru a ușura disconfortul și a evita rănirea, luați pauze de lucru frecvente. Alegeți o setare a vitezei care va face lucrul complet eficient. Citiți secțiunile Riscuri reziduale și Reducerea riscurilor pentru mai multe informații privind vătămarile legate de vibrații.

AVERTIZĂRI SUPLIMENTARE DE SIGURANȚĂ

- Comutați pe poziția off dispozitivul imediat ce unealta de inserare este oprită. Nu reporniți dispozitivul atunci când unealta de inserție este blocată, deoarece riscați producerea unui recul puternic. Identificați cauza blocării unelei de inserare și eliminați-o respectând instrucțiunile de siguranță.
 - Cauzele posibile pot fi:
 - este îndoit/ă în piesa de lucru
 - a găurit piesa de lucru
 - produsul este suprasolicitat

RISCURI REZIDUALE

Chiar dacă produsul este folosit așa cum este descris, este totuși imposibil să se elimine complet anumiți factori de risc reziduali. Următoarele pericole ar putea apărea în timpul folosirii iar operatorul trebuie să acorde o atenție specială pentru a evita următoarele:

- Vătămare cauzată de praf.
 - În timpul folosirii produsului, vor fi produse cantități considerabile de praf și particule fine. Folosiți dispozitivul de colectare al prafului sau conectați aspiratorul de extragere al prafului atunci când operați produsul.
 - Purtați întotdeauna protecție pentru ochi.
 - Purtați mască de protecție a respirației conținând filtre corespunzătoare cu materialele ce vin prelucrate. Asigurați aerisire adecvată la locul de muncă.
 - Nu mâncați, beți sau fumați în zona de lucru.
- Vătămare cauzată de zgomot și vibrații.
 - Purtați echipamente de protecție a auzului
 - Nu operați produsul pentru perioade lungi de timp. Vezi "Reducerea Riscului".
- Risc de electrocutare în cazul în care cablurile electrice sunt tăiate.

Țineți produsul întotdeauna de mânerele destinate. Nu atingeți lamele de tăiere sau părțile de metal ale produsului.

REDUCEREA RISCULUI

S-a raportat faptul că vibrațiile produse de unelte manuale pot contribui, la anumite persoane, la o afecțiune denumită Sindromul Raynaud. Simptomele pot include furnicături, amorțeală și albirea degetelor, care apare, de obicei, după expunerea la frig. Factori ereditari, expunerea la frig și umiditate, dieta, fumatul și practicile de muncă contribuie la dezvoltarea acestor simptome. Există măsurător care pot fi efectuate de către operator pentru a reduce efectele de vibrațiilor:

- Păstrați-vă temperatura corporală ridicată pe vreme rece. Când operați unitatea purtați mănuși pentru a vă menține mâinile și încheieturile la căldură. S-a constatat că vremea rece este un factor major care contribuie la sindromul Raynaud.
- După fiecare perioadă de operare, trebuie făcute exerciții pentru a crește circulația sângelui.
- Trebuie făcute pauze la intervale de timp regulate. Limitați expunerea zilnică.

Dacă sunt experimentate oricare dintre simptomele acestei afecțiuni, trebuie întreruptă utilizarea și consultat un medic.

⚠ AVERTISMENT

Poti fi cauzate, sau agravate vătămări prin folosirea prelungită a sculei. Atunci când folosiți o sculă pentru perioade prelungite, asigurați-vă că luați pauze regulate.

CUNOAȘTEȚI-VĂ PRODUSUL

Vezi pagina 109.

1. Clemă lamă
2. Bolcare lamă / manetă de eliberare
3. Buton de reglare a unghiului capului de tăiere.
4. Lamă pentru tăiere planjată/decupare
5. Racletă
6. Lamă de răzuire tencuială
7. Lamă retezare cioturi / lamă de metal
8. Talpă
9. Șmirghel
10. Cap de aspirare
11. Indicator adâncime/înălțime
12. Adaptor */ **
13. Controlul vitezei
14. Întrerupător pornire/oprire
15. Mâner, suprafață de contact izolată

ParteaR&F

Compatibil cu accesoriile versiunilor anterioare ale RYOBI, RIDGID sau AEG . RYOBI este o marcă comercială utilizată sub licență de la RYOBI Limited. RIDGID este marca comercială a Emerson Electric Co. AEG este o marcă comercială înregistrată utilizată sub licență de la AB Electrolux (publ).

*Compatibil com acessórios FEIN. FEIN este o marcă comercială a C. & E. Fein GmbH.

ParteaD

**Compatibil com acessórios DREMEL. DREMEL este o marcă comercială a Robert Bosch Tool Corporation.

OPERAREA

Acest produs este furnizat cu un adaptor suplimentar pentru folosirea cu alte mărci de accesorii de tăiere, răzuire și șlefuire. Nu folosiți adaptorul cu ultima generație de accesorii RYOBI ce sunt furnizate cu aparatul dvs. De exemplu, folosiți adaptorul cu literele "R&F" cu fața înspre exterior dacă doriți să folosiți o generație mai recentă de accesorii RYOBI, RIDGID sau AEG. Adaptorul poate fi rabatat pentru folosirea cu alte mărci de accesorii.

- Fixați piesa de lucru cu o clemă pentru a preveni mișcarea ei în timpul operațiilor de șlefuire sau tăiere. Niciodată nu țineți cu mâna o piesă de lucru. O alunecare neintenționată în timpul operării produsului poate cauza vătămare personală gravă.
- Atunci când efectuați o tăiere tip decupare în materiale moi precum lemnul sau ghips cartonul folosind accesorii de tăiere, aduceți gradual lama vibratoare la piesa de lucru. Nu împingeți puternic lama vibratoare în materialul ce va fi tăiat. Lăsați produsul să-și facă treaba și concentrați-vă în ținerea produsului și a lamelor de tăiere stabile în poziția în care doriți să faceți tăierea.
- Folosiți indicatorul de adâncime/înălțime pentru a vă ajuta să setați adâncimea tăieturii sau pentru a preveni să tăiați prea adânc în material.
- Acordați atenție suplimentară când tăiați în materiale neferoase. Lama de tăiere cu vibrație poate să alunecă împrejur înainte de a începe să tăiați. Dacă e necesar, faceți câteva găuri de-a lungul liniei în care doriți să faceți tăierea pentru a ajuta lama de tăiere.

- Dacă accesoriile de tăiere se blochează în piesa de lucru, opriți produsul și deconectați-l de la priză. Dacă accesoriul de tăiere nu poate fi ușor îndepărtat, lăsați accesoriile de tăiere să se răcească înainte de a elibera accesoriul de tăiere din produs. Purtați mănuși și folosiți scule precum clești și chei reglabile pentru a îndepărta accesoriul de tăiere din piesa de lucru.

ÎNȚREȚINEREA

⚠ AVERTISMENT

Produsul nu trebuie niciodată conectat la o sursă de curent când asamblați părțile, curățați, efectuați întreținerea sau când produsul nu este în uz. Deconectarea produsului va preveni pornirea accidentală ce poate cauza vătămare gravă.

⚠ AVERTISMENT

La efectuarea service-ului folosiți doar piese de schimb originale ale producătorului. Utilizarea altor piese poate crea situații periculoase sau poate conduce la deteriorarea produsului.

În cazul în care cablul de alimentare este deteriorat trebuie înlocuit de către producător sau la un centru service autorizat pentru a evita pericolul la siguranța dvs. Contactați centrul service autorizat.

⚠ AVERTISMENT

Pentru mai multă siguranță și fiabilitate, toate reparațiile trebuie efectuate de către un Centru Service Agreat RYOBI.

GENERALITĂȚI

Evitați utilizarea solvenților atunci când curățați piesele din plastic. Majoritatea materialelor plastice pot să fie deteriorate prin utilizarea unor solvenți vânduți în comerț. Utilizați o cârpă curată pentru a curăța murdăriile, praful etc.

⚠ AVERTISMENT

Elementele din plastic nu trebuie să intre niciodată în contact cu lichid de frână, benzină, produse petroliere, uleiuri minerale etc. Aceste produse chimice conțin substanțe care pot afecta, slăbi sau distruge plasticul.

Praful de la gipscarton și tencuială este abrazivă și poate cauza defectarea prematură a produsului dacă este premis să intre în zona motorului. Folosiți întotdeauna accesoriul de extragere a prafului conectat la aspirator. Curățați complet produsul după folosire folosind o perie și aspiratorul. Fiți atent să nu împingeți mizeria în deschizăturile de ventilare. Nu folosiți aer comprimat pentru a îndepărta praful de pe produs. Praful și nisipul suflat cu aer comprimat pot cauza vătămare gravă la ochi.

LUBRIFIEREA

Toți rulmenții din interiorul produsului sunt lubrifiați cu o cantitate suficientă de lubrifianț de calitate înaltă pentru durata produsului în condiții normale de folosire. În consecință, nici o ungere suplimentară nu este necesară.

PROTECȚIA MEDIULUI ÎNCONJURĂTOR



Reciclați materiile prime în loc să le aruncați la gunoi, împreună cu deșeurile menajere. Pentru a proteja mediul înconjurător, produsul, accesoriile acestuia și ambalajele trebuie triate.

SIMBOLURILE DE PE PRODUS



Avertizare de siguranță

V

Volți

Hz

Hertzi

~

Curent alternativ

W

Wați

n_o

Viteză în gol

min⁻¹

Număr de rotații sau de mișcări pe minut



Conform CE



Marcaj de conformitate EurAsian



Semn de conformitate ucrainean



Echipament clasa a II-a
Izolarea dublă



Lemn –
Tăieri tip decupare și de nivelare



A metalelor neferoase –
Tăieri tip decupare și de nivelare



Plastic –
Tăieri tip decupare și de nivelare



Perete de gips –
Tăieri tip decupare și de nivelare



Beton –
Îndepărtare mortar faianță/gresie.



Îndepărtare adeziv faianță/gresie.



Citiți instrucțiunile cu atenție înainte de pornirea produsului.



Purtați protecție pentru ochi, auz și respirație.



Deșeurile produselor electrice nu trebuie să fie eliminate împreună cu deșeurile casnice. Vă rugăm să reciclați acolo unde există facilități. Verificați la autoritatea dvs. locală sau la vânzător pentru sfaturi privind reciclarea.

SIMBOLURILE DIN MANUAL



NOTĂ



Conectați la sursa de curent.



Deconectați de la sursa de curent.



Piese sau accesorii vândute separat



Piedică



Deblocare



Viteză, minim



Viteză, maxim

Rmătoarele cuvinte simbol și înțelesul lor au intenția de a explica nivelele de risc asociate cu acest produs.

PERICOL

Indică o situație imediată de pericol, care dacă nu este evitată va rezulta în deces sau rănire gravă.

AVERTISMENT

Indică o situație potențială de pericol, care dacă nu este evitată poate rezulta în deces sau rănire gravă.

PRECAUȚIE

Indică o situație potențial periculoasă, care dacă nu este eviată, poate rezulta în vătămare minoră sau moderată.

PRECAUȚIE

(Fără simbol de alertă de siguranță) Indică o situație ce poate rezulta în distrugerea proprietății.

Drošība, sniegums un uzticamība ir augstākā prioritāte daudzfunkcionālā instrumenta izstrādē.

PAREDZĒTĀ LIETOŠANA

Šo daudzfunkcionālo instrumentu drīkst lietot tikai pieaugušie, kuri ir izlasījuši un sapratuši šīs rokasgrāmatas norādījumus un brīdinājumus un kuri spēj atbildēt par savu rīcību.

Daudzfunkcionālā instrumenta funkcijas:

- metāla, koka, plastmasas un līdžīgu materiālu slīpēšana un apstrāde, izmantojot slīpēšanas pamatni ar iekļautajām attiecīgās formas abrazīvajām loksņēm
- skrāpēšana un iegremdējamā griešana krāsainajā metālā, kokā, plastmasā, ģipškartona plāksnēs u. tml., izmantojot iekļautos metāliskos griezējasmehņus
- caurumu griešana sienās slēdžu un kontaktligzdu ievietošanai
- šuvju izņemšana starp keramikajām flīzēm

Daudzfunkcionālo instrumentu paredzēts lietot iekštelpās sausus, labi izgaismotos un attiecīgi ventilētos apstākļos. Izstrādājumu nav paredzēts lietot uz slapjiem materiāliem un virsmām.

Neizmantojiet ierīci citiem mērķiem, bet tikai tam paredzētajiem.

BRĪDINĀJUMS

Izlasiet visus drošības brīdinājumus, instrukcijas, specifikācijas un apskatiet attēlus šī elektroinstrumenta dokumentācijā. Visu tālāk uzskaitīto norāžu neievērošana var izraisīt elektrošoku, aizdegšanos un/vai smagus ievainojumus.

Saglabājiet visus brīdinājumus un instrukcijas uzziņām nākotnē.

DAUDZFUNKCIONĀLĀ INSTRUMENTA DROŠĪBAS BRĪDINĀJUMI

- Turiet ierīci tikai aiz izolētajām virsmām. Griešanas piederums var nonākt saskarē ar apslēptiem vadiem vai savu vadu. Griezējinstrumenta saskare ar strāvu vadošajām vietām var padarīt arī atklātās metāla daļas vadošas un radīs operatoram elektrisko triecienu.
- Lietojot instrumentu, vienmēr valkājiet aizsargbrilles. Rodoties putekļiem, valkājiet putekļu masku.
- Ja apstājas, produkts automātiski atsāks darboties.

BRĪDINĀJUMS

Putekļi no dažādām krāsām, klājumiem un materiāliem var izraisīt kairinājumu vai alerģijas reakcijas elpošanas sistēmai. Putekļi no tādiem kokiem, kā ozols, dižskābardis, šķiedrkartons un citiem ir kancerogēni. Izmantošanu ar azbestu saturošiem materiāliem drīkst veikt tikai kvalificētu speciālisti.

BRĪDINĀJUMS

Produktu nekad nedrīkst pievienot barošanas padevei, veicot daļu montāžu, regulēšanu, tīrīšanu vai apkopi, kā arī laikā, kad tas netiek izmantots. Atvienojot produktu, tiek novērsta nejauša ieslēgšanās, kas var izraisīt nopietnu traumu.

- Neturiet elektrības vadu ierīces darba zonā. Vienmēr turiet vadu prom aiz sevis.
- Veicot darbus sienās, griestos vai grīdā, uzmanieties, lai nenonāktu saskarē ar elektrības kabeļiem un gāzes vai ūdens caurulēm.

BRĪDINĀJUMS

Metāliskie piederumi lietošanas laikā sakarst un pieskaroties var izraisīt ādas apdegumus. Mainot piederumus, valkājiet cimdus. Starp darbībām iestatiet instrumentu, rīkojieties uzmanīgi, lai nepieļautu bojājumus vai traumas.

- Neizmantojiet griešanas piederumus, kas ir bojāti, ieplaisājuši vai nav droši uzstādāmi instrumentam.
- Kad vien iespējams, uzstādiet iekļauto putekļu savācēju un pievienojiet to putekļu sūcējam, lai atbrīvotu darba vietu no putekļiem un palīdzētu novērst potenciālu elpceļu kairinājumu un bojājumus instrumentam.
- Ierīce lietošanas laikā pārmērīgi vibrē un var radīt diskomfortu, ja tiek lietota ilgstošu laika periodu. Lai novērstu diskomfortu un nepieļautu traumas, ievērojiet biežus pārtraukumus darbā. IZVĒLIETIES ātruma iestatījumu, kas ļaus darbu veikt efektīvi. Izlasiet sadaļas "Atlikušie riski" un "Risku samazināšana", lai iegūtu vairāk informācijas par ar vibrāciju saistītām traumām.

PAPILDU DROŠĪBAS BRĪDINĀJUMI

- Nekavējoties izslēdziet ierīci, ja iegremdējamais rīks nosprostojas. Neieslēdziet ierīci, kamēr iegremdējamais rīks ir nosprostoies, jo šādā veidā var izraisīt pēkšņu augsta reakīvās spēka atbrīvošanos. Nosakiet, kāpēc iegremdējamais rīks ir nosprostoies, un novērsiet traucējumus, pievēršot uzmanību drošības instrukcijām.
 - Iespējamie cēloņi var būt:
 - darba vietā tas ir slīps
 - tas ir caurdūris darba vietu
 - precei ir pārslodze

PALIEKOŠIE RISKI

Pat tad, ja ierīce tiek lietota, kā aprakstīts, joprojām nav iespējams pilnībā novērst atsevišķus riska faktorus. Lietošanas laikā var rasties šādas briesmas un strādniekam tpaša uzmanība jāpievērš šim:

- Putekļu izraisītas traumas
 - Ierīces lietošanas laikā rodas ievērojami putekļi un smalkas daļiņas. Darbinot precī, izmantojiet putekļu savākšanas ierīces vai savienojiet ar rūpniecisko putekļu savācēju.

- Vienmēr nēsājiet acu aizsardzību.
- Valkājiet elpošanas aizsargmaskas, kurām ir apstrādājamiem materiāliem atbilstoši filtri. Darba vietā nodrošiniet atbilstošu ventilāciju.
- Darba vietā neēdiet, nedzeriet un nesmēķējiet.
- Trokšņa un vibrācijas radīti savainojumi
 - Lietojiet dzirdes aizsargus
 - Nedarbiniet precīz ilgstošī. Skatīt "Risku Samazināšana".
- Elektrotraumu risks, iegriežot elektrības kabeļos
Vienmēr turiet ierīci aiz tam paredzētajiem rokturiem. Nepieskarieties ierīces griešanas asmeņiem un metāla daļām.

RISKA SAMAZINĀŠANA

Ir ticis ziņots, ka vibrācijas no rokas instrumentiem atsevišķos cilvēkos var veicināt kaiti, ko sauc par Reino sindromu. Simptomi var ietvert pirkstu tinkšķēšanu, nejutīgumu un nobālēšanu, parasti aukstā laikā. Tiek uzskatīts, ka tradicionālie faktori, aukstums un mitrums, uzturs, smēķēšana un darba prakse sekmē šo simptomu attīstību. Operators var veikt pasākumus, lai iespējami samazinātu vibrācijas efektu:

- Aukstā laikā ķermenim jābūt siltam. Darbinot ierīci, nēsājiet cimdus, lai rokas un plaukstas locītavas būtu siltas. Ir pētījumi, ka auksts laiks ir galvenais faktors, kas veicina Reino sindromu.
- Ik pēc laika apturiet darbu un veiciet vingrinājumus, kas uzlabo asins cirkulāciju.
- Strādājot jābūt biežiem pārtraukumiem. Ierobežojiet iedarbības ilgumu dienā.

Ja jūs izjūtat kādu no šiem simptomiem, nekavējoties apturiet ierīces lietošanu un sazinieties ar ārstu par šiem simptomiem.

⚠ BRĪDINĀJUMS

Ilgstoša instrumenta lietošana var izraisīt traumas vai pasliktināt veselības stāvokli. Ilgstoši lietojot jebkuru instrumentu, pārliecinieties, ka tiek veikti regulāri pārtraukumi.

IERĪCES IEPAZĪŠANA

Skatīt 109. lappusi

1. Asmens skava
2. Asmens nobloķēšanas / atbrīvošanas svira
3. Galvas leņķa regulējuma atbrīvošanas poga
4. Iegremdējama asmens
5. Skrāpis
6. Javas noņemšanas asmens
7. Griešanas asmens / metāla asmens
8. Slīpēšanas pamats
9. Smilšpapīrs
10. Putekļu nopūtējs
11. Dzīluma/augstuma mērītājs
12. Adapteris */ **
13. Ātruma regulators
14. Ieslēgšanas/izslēgšanas slēdzis
15. Rokturis, izolēta satveršanas virsma

R&F puse

Savietojams ar iepriekšējām RYOBI, RIDGID, vai AEG aksesuāru paaudzēm. RYOBI ir RYOBI Limited licencēta preču zīme. RIDGID ir Emerson Electric Co preču zīme. AEG ir AB Electrolux (publ). licencēta reģistrēta preču zīme.

*Savietojams ar FEIN aksesuāriem. FEIN ir C. & E. Fein GmbH preču zīme.

D puse

**Savietojams ar DREMEL aksesuāriem. DREMEL Robert Bosch Tool Corporation preču zīme.

EKSPLUATĀCIJA

Ierīces komplektācijā ietilpst papildu adapters, kas paredzēts lietošanai ar citu zīmolu griešanas, skrāpēšanas un slīpēšanas piederumiem. Nelietojiet adapteru ar RYOBI jaunākās paaudzes piederumiem, kas ietilpst instrumenta komplektācijā. Piemēram, izmantojiet adapteru ar burtiem "R&F" vērstiem uz āru, ja vēlaties lietot iepriekšējās paaudzes RYOBI, RIDGID vai AEG piederumus. Adapteru var apgriezt otrādi, lai lietu ar citu zīmolu piederumiem.

- Nostipriniet apstrādājamo materiālu ar skavu, lai nepieļautu izkustēšanos slīpēšanas vai griešanas laikā. Nekad neturiet sagatavi ar rokām. Nejausa paslīdēšana ierīces lietošanas laikā var izraisīt nopietnus miesas bojājumus.
- Veicot iegremdējamo griezumu mīkstos materiālos, piemēram, kokā un ģipškartona plāksnē, izmantojot griešanas piederumu, pakāpeniski tuviniet vibrējošo asmeni apstrādājamajam materiālam. Nespiediet pārāk stipri vibrējošo asmeni griezamajā materiālā. Ļaujiet ierīcei paveikt darbu un koncentrējieties uz to, lai ierīce un griezējasmens stabili atrastos vietā, kur vēlaties veikt griezumu.
- Izmantojiet dziļuma/augstuma mērītāju, kas palīdzēs iestatīt griezuma dziļumu un neļaus iegriezt pārāk dziļi materiālā.
- Griežot krāsainos metālus, rīkojieties īpaši uzmanīgi. Vibrējošais griezējasmens var novirzīties, pirms uzsāk griešanu. Ja nepieciešams, izurbiet dažus caurumus pa griešanas līniju, lai palīdzētu griezējasmensim.
- Ja griešanas piederumi iestrēgst apstrādājamā materiālā, izslēdziet ierīci un atvienojiet to no elektropadeves. Ja griešanas piederumu nevar viegli izņemt, ļaujiet tam atdzist, pirms izņemat to no ierīces. Valkājiet cimdus un izmantojiet darbarīkus, piemēram, knaibles un uzgriežņu atslēgu, lai izņemtu griešanas piederumu no apstrādājamā materiāla.

APKOPE

⚠ BRĪDINĀJUMS

Ierīci nekādā gadījumā nedrīkst pievienot elektropadevei, montējot detaļas, tīrot, veicot apkopi un ja ierīce netiek lietota. Atvienojot produktu, tiek novērsta nejausa ieslēgšanās, kas var izraisīt nopietnu traumu.

⚠ BRĪDINĀJUMS

Veicot apkopi, izmantojiet tikai oriģinālās ražotāja rezerves daļas. Jebkādi citu detaļu izmantošana var izraisīt bīstamību vai produkta bojājumus.

Ja elektrības vads ir bojāts, to drīkst nomainīt vienīgi ražotājs vai pilnvarots servisa centrs, lai izvairītos no bīstamām situācijām. Sazinieties ar pilnvarotu servisa centru.

⚠ BRĪDINĀJUMS

Lai nodrošinātu drošību un uzticamību, visi remontdarbi jāveic PILNVAROTĀ SERVISĀ CENTRĀ vai citā KVALIFICĒTĀ SERVISĀ ORGANIZĀCIJĀ.

VISPĀRĪGI

Tīrot plastmasas daļas, izvairieties no šķīdinātāju lietošanas. Vairums plastmasu ir jutīgas pret dažāda veida pārdošanā esošajiem šķīdinātājiem un to izmantošanas rezultātā var tikt bojātas. Izmantojiet tīru drānu, lai notīrītu netīrumus, oglekļa putekļus utt.

⚠ BRĪDINĀJUMS

Nekad neļaujiet bremžu šķidrumam, benzīnam, naftas produktiem, piesūcināšanas eļļām, utt., nonākt kontaktā ar plastmasas detaļām. Ķīmiskā lietas var sabojāt, novājināt vai iznīcināt plastmasas detaļas.

Putekļi, kas rodas no ģipša un sienām, ir abrazīvi un, iekļūstot motora korpusā, var izraisīt priekšlaicīgu ierīces sabojāšanos. Vienmēr izmantojiet putekļu savācēju, kas pievienots putekļu sūcējam. Pēc lietošanas rūpīgi notīriet ierīci ar birsti vai putekļu sūcēju. Uzmanieties, lai neiestumtu putekļu ventilācijas atveres. Putekļu tīrīšanai no preces neizmantojiet saspiestu gaisu. Pūšot prom netīrumus un smiltis ar saspiestu gaisu, tie var radīt nopietnus acu savainojumus.

EĻĻOŠANA

Visi izstrādājuma gultņi tiek eļļoti ar pietiekamu augstas kvalitātes smērvielas daudzumu, lai nodrošinātu produkta kalpošanas laiku normālos lietošanas apstākļos. Tāpēc papildu eļļošana nav nepieciešama.

VIDES AIZSARDZĪBA



Tā vietā, lai izejmateriālus izmestu atkritumos, nododiet tos otrreizējai pārstrādei. Produkts, piederumi un iepakojums ir jāsašķiro un jānodod videi draudzīgā atkārtotas pārstrādes vietā.

UZ PRECES ESOŠIE SIMBOLI



Drošības brīdinājums

V

Volti

Hz Herci

~ Maiņstrāva

W Vati

n_o Apgrīzieni bez slodzes

min⁻¹ Apgrīzieni minūtē



CE atbilstība



EurAsian atbilstības marķējums



Ukrainas apstiprinājuma zīme

001



II klases apriņķojums
Dubultā izolācija



Koks –
Griešanas un iegremdējamie griezumi



Krāsaino metālu –
Griešanas un iegremdējamie griezumi



Plastmasa –
Griešanas un iegremdējamie griezumi



Ģipškartons –
Griešanas un iegremdējamie griezumi



Betons –
Flīžu javas noņemšana



Flīžu līmes noņemšana



Pirms iedarbināt izstrādājumu, lūdzu, uzmanīgi izlasiet norādījumus.



Lietojiet acu, dzirdes un elpceļu aizsarglīdzekļus.



Izlietotie elektroprodukti nedrīkst tikt izmesti kopā ar majsaimniecības atkritumiem. Lūdzu, nododiet tos attiecīgajās atkār totas izmantošanas vietās. Sazinieties ar savu vietējo varas pārstāvi vai izplatītāju, lai noskaidrotu, kur iespējama atkārtota pārstrāde.

SIMBOLI ROKASGRĀMATĀ



PIEZĪME



Pievienojiet elektropadevei.



Atvienojiet no elektropadeves.



Atsevišķi nopērkamās daļas vai piederumi



Bloķētājs



Atbloķēt



Apgrīzieni, minimālais



Apgrīzieni, maksimums

Lai izskaidrotu risku, kas saistīti ar izstrādājumu, līmeni, paredzēti šādi norādījuma vārdi un jēdzieni.

BĪSTAMI

Norāda uz nenovēršami bīstamu situāciju, kas, ja netiks novērsta, izraisīs nāvi vai nopietnus miesas bojājumus.

BRĪDINĀJUMS

Norāda uz potenciāli bīstamu situāciju, kas, ja netiks novērsta, var izraisīt nāvi vai nopietnus miesas bojājumus.

UZMANĪBU

Norāda uz potenciāli bīstamu situāciju, kas, ja netiek novērsta, var izraisīt vieglus vai vidējus miesas bojājumus.

UZMANĪBU

(Bez drošības trauksmes simbola), kas norāda, uz situāciju, kas var novest pie īpašuma bojājuma.

Projektuojant daugiafunkcij įrankį, didžiausias prioritetas suteiktas saugai, eksploatacinėms savybėms ir patikimumui.

NAUDOJIMO PASKIRTIS

Šis rotacinis kūjinis grąžtas skirtas naudoti tik suaugusiesiems, kurie yra perskaitę ir supratę šiame vadove pateiktus nurodymus bei įspėjimus ir gali būti laikomi atsakingi už savo veiksmus.

Daugiafunkcis įrankis skirtas:

- metalo, medienos, plastiko ar panašių medžiagų šlifavimui ir apdailai pateiktais įvairių formų švitrinio popieriaus lapeliais;
- spalvotųjų metalų, medienos, plastiko, gipskartonio ir pan. medžiagų grandymui ir kertamajam pjovimui gaminio komplekte pateiktomis metalinėmis pjovimo geležtėmis;
- jungikliams ar maitinimo lizdams skirtų angų išpjovimui sienose;
- skiedinio pašalinimui iš tarpų tarp keraminių plytelių.

Daugiafunkcis įrankis skirtas naudoti gerai apšviestose ir vėdinamose uždarose patalpose.

Šis gaminys neskirtas naudoti su šlapiomis medžiagomis ir paviršiais.

Gaminį galima naudoti tik pagal paskirtį.

⚠ ĮSPĖJIMAS

Perskaitykite visus saugos įspėjimus, visas instrukcijas, paveikslėlius ir techninius reikalavimus, pateiktus su šiuo elektriniu įrankiu. Jei nesilaikysite visų toliau pateiktų instrukcijų, kyla elektros smūgio, gaisro ir (arba) sunkaus sužeidimo pavojus.

Visus įspėjimus ir instrukcijas saugokite, nes jų gali prireikti ateityje.

DAUGIAFUNKCIO ĮRANKIO SAUGOS ĮSPĖJIMAI

- Laikykite gaminį tik už izoliuotų paviršių. Pjovimo įtaisas gali susiliesti su paslėptais laidais ar jo maitinimo laidu. Pjovimo metu priedas, prisilietęs prie laido, prijungto prie maitinimo šaltinio, gali aktyvuoti metalines elektrinio įrankio detales ir sukelti operatoriui elektros smūgį.
- Dirbant šiuo įrankiu, būtina dėvėti saugos akinius. Reikia dėvėti dulkių apsauginę kaukę, kai dirbant susidaro dulkių.
- Įrankiui užstrigus, iš naujo jis pasileidžia automatiškai.

⚠ ĮSPĖJIMAS

Tam tikrų dažų, gruntų ir medžiagų dulksės gali dirginti ar sukelti alergines kvėpavimo sistemos reakcijas. Ažuolo, beržo, medienos plaušų plokščių ir kitos dulksės kancerogeninės. Gaminio apdoroti medžiagas, kurių sudėtyje yra asbesto, gali tik kvalifikuoti specialistai.

⚠ ĮSPĖJIMAS

Perforatoriaus jokių būdu negalima jungti į maitinimo šaltinį montuojant dalis, reguliuojant, valant, atliekant priežiūros darbus ar jo nenaudojant. Atjungus perforatorių, jis nepasileis atsitiktinai: atsitiktinai pasileidęs, šis įrankis gali sunkiai sužaloti.

- Maitinimo laidą laikykite toliau nuo prietaiso darbo zonos. Laidą visada tieskite tolyn už savęs.
- Šlifuojant sienas ar pjaunant jose angas, reikia būti atsargiems ir nepažeisti elektros laidų ar dujotiekio arba vandentiekio vamzdžių.

⚠ ĮSPĖJIMAS

Apdirbant metalinius paviršius, jie įkaista ir prisilietus, galima nudegti odą. Keičiant įtaisas būtina dėvėti pirštines. Padedant įrankį tarp darbų, reikia būti atsargiems ir neapgadinti objektų bei nesusižeisti patiemis ir nesužeisti kitų.

- Negalima naudoti apgadintų, sutrūkinėjusių ar netinkamai uždėtų ant gaminio pjovimo įtaisų.
- Kai yra galimybė, montuokite gaminio komplekte pateiktą dulkių surinkimo įtaisą ir junkite jį prie dulkių siurblio, kad išsiurbtumėte dulkes iš darbo vietos ir taip padėtumėte apsaugoti kvėpavimo sistemą nuo dirginimo, o įrankį – nuo apgadavimo.
- Veikdamas, gaminys labai stipriai vibruoja ir ilgai dirbant gali kelti nepatogumą. Kad nepatogumas būtų mažesnis ir nesusižalotumėte, reikia daryti dažnas pertraukėles. Pasirinkite greičio parametą, kuris leis našiai atlikti darbą. Išsamesnės informacijos apie vibracijų sukeltus sužeidimus, skaitykite skyriuose Liktiniai pavojai ir Pavojų mažinimas.

PAPILDOMI SAUGOS PERSPĖJIMAI

- Jei antgalis užstrigtų, tuoj pat išjunkite įrenginį. Kol antgalis užstrigęs, nebandykite įrenginio įjungti, antraip kils stiprios atatranks pavojus. Nustatykite antgalio užstrigimo priežastį ir pašalinkite ją, laikydamiesi saugos taisyklių.
 - Priežastys gali būti šios:
 - jis pakrypęs apdirbamoje medžiagoje
 - jis pervėręs apdorojamą medžiagą
 - gaminys pernelyg apkrautas

ŠALUTINIS PAVOJUS

Net naudojant gaminį griežtai pagal paskirtį neįmanoma visiškai atmesti kai kurių liktinių rizikos veiksnių. Būkite budrūs atlikdami priežiūros ar valymo darbus: po įrankio naudojimo geležtę kurį laiką išlieka įkaitusi.

- Dulkių sukeliama žala
 - Naudojant gaminį, susidaro dideli kiekiai dulkių ir smulkiųjų dalelių. Apdorojant medžiagas šiuo gaminiumi reikia naudoti dulkių surinktuvą arba dulkių siurbį.
 - Būtinai dėvėti akių apsaugą.
 - Dėvėkite kvėpavimo sistemos apsaugines kaukes

su atitinkamais filtrais, nepraleidžiančiais nuo pjaunamų medžiagų atsiskiriančių dalelių Darbo vieta turi būti tinkamai vėdinama.

– Darbo vietoje negalima valgyti, gerti ar rūkyti.

- Triukšmo ir vibracijos sukeltami sužeidimai
 - Dėvėkite klausos apsaugos priemones
 - Gaminio negalima naudoti ilgai. Žr. "Rizikos Veiksnių Mažinimas".
- Pavojus žūti nuo elektros srovės pažeidus elektros laidus
Laikykite gaminį tik už rankenų. Neprilieskite gaminio pjovimo geležčių ar metalinių dalių.

RIZIKOS MAŽINIMAS

Turime pranešimų, kad vibracija nuo ranka laikomų įrankių kai kuriems asmenims gali turėti neigiamos įtakos vystantis Raynaud sindromui. Šios ligos požymiai yra pirštų dilgčiojimas, nutirpimas ir pabalimas, paprastai pasireiškiantis nuo šalčio. Šie simptomai vystosi dėl paveldimų veiksnių, nesisaugant nuo šalčio ir drėgmės, dėl mitybos, rūkymo ir darbo praktikos. Operatorius gali imtis šių priemonių, kurios gali sumažinti vibracijos poveikį:

- Apsirenkite kuo šilčiau šaltu oru. Dirbant šiuo prietaisu mūvėkite pirštines, kad plaštakos ir riešai būtų laikomi šiltai. Turime pranešimų, kad Raynaud sindromas labiausiai vystosi nuo šalto oro sąlygų.
- po darbo kiekvieną kartą pasportuokite, kad pagerėtų kraujo apytaka;
- dažnai darykite darbo pertraukas. Apribokite darbo laikotarpį per dieną.

Jei jums pasireiškia kokie nors šios būklės simptomai, nedelsdami nutraukite darbą ir kreipkitės į gydytoją.

⚠️ ĮSPĖJIMAS

Ilgai naudojant įrankį, galima susižaloti arba pakenkti sveikatai. Ilgiau naudojant įrankius, reikia reguliariai daryti pertraukas.

GERAI IŠMANYKITE APIE GAMINĮ

Žr. 109 psl.

1. Geležčių spaustuvas
2. Geležčių blokavimo / atpalaidavimo svirtis
3. Galvutės kampo reguliavimo paleidimo mygtukas
4. Stumiamojo pjovimo geležtė
5. Grandiklio geležtė
6. Skiedinio grandymo geležtė
7. Tiesaus pjovimo geležtė / metalinė geležtė
8. Šlifavimo padas
9. Švitrinis popierius
10. Dulkių anga
11. Gylis / aukščio matuoklis
12. Adapteris * / **
13. Greičio reguliavimas
14. Įjungimo / išjungimo mygtukas
15. Rankena, izoliuotu paviršiumi

R&F pusė

Tinka naudoti su senesnių versijų RYOBI, RIDGID arba

AEG priedais. RYOBI yra prekės ženklas, naudojamas pagal „RYOBI Limited“ licenciją. RIDGID yra „Emerson Electric Co“ prekės ženklas. AEG yra registruotasis prekės ženklas, naudojamas pagal „AB Electrolux“ (leid.) licenciją. *Galima naudoti su FEIN priedais. FEIN yra „C. & E. Fein GmbH“ prekės ženklas.

D pusė

**Galima naudoti su DREMEL priedais. DREMEL yra „Robert Bosch Tool Corporation“ prekės ženklas.

VEIKIMAS

Gaminys pristatomas su papildomu adapteriu, kad būtų galima jungti kitų gamintojų pjovimo, grandymo ir šlifavimo įtaisus. Nenaudokite adapterio su naujausios kartos RYOBI įtaisais, pateikiamais įrankio komplekte. Pavyzdžiui, jei norite naudoti ankstesnės kartos RYOBI, RIDGID arba AEG įtaisus, naudokite adapterį taip, kad raidės "R&F" būtų nukreiptos į išorę. Naudojant kitų prekės ženklų įtaisus, adapteris gali būti išjungtas.

- Pritvirtinkite ruošinius spaustuvu, kad šlifuojant ar pjaunant jį nejudėtų. Niekada ruošinio nelaikykite rankomis. Netyčia pasislinkus ruošiniui, galima patirti sunkių traumų.
- Kertamuoju judesiu pjovimo įtaisu pjaunant minkštas medžiagas, pavyzdžiui, medieną ir gipskartonį, vibruojančią geležtę reikia palaipsniui artinti prie ruošinio. Vibruojančios geležtės negalima stipriai stumti į pjaunamą medžiagą. Leiskite gaminui atlikti darbą ir sutelkite dėmesį į tai, kad gaminys ir pjovimo geležtė būtų stabilūs padėtyje, kurioje pageidaujate atlikti pūvį.
- Gylis / aukščio matuokliu nustatykite pjovimo gylį, kad medžiaga nebūtų įpjauta per giliai.
- Ypatingai atsargiai pjaukite spalvotuosius metalus. Vibruojanti pjovimo geležtė gali nušokti prieš pradėdamas pjauti. Kad padėtumėte nukreipti pjovimo geležtę, jei reikia, išgręžkite kelias angas išilgai linijos, kurią ketinate pjauti.
- Pjovimo įtaisams įstrigus ruošinyje, išjunkite gaminį ir atjunkite nuo maitinimo šaltinio. Jeigu pjovimo įtaiso negalima lengvai nuimti, reikia jį atjungti nuo gaminio ir palikti atitinkamai atvėsti. Nuimdami pjovimo įtaisą nuo ruošinio, mūvėkite pirštines ir naudokite rankinius įrankius, tokius kaip replės ir veržliaraktis.

PRIEŽIŪRA

⚠️ ĮSPĖJIMAS

Gaminio jokiū būdu negalima jungti į maitinimą surenkant, valant, atliekant priežiūros darbus arba nenaudojant. Atjungus perforatorių, jis nepasileis atsitiktinai: atsitiktinai pasileidęs, šis įrankis gali sunkiai sužaloti.

⚠️ ĮSPĖJIMAS

Atliekant techninės priežiūros darbus, galima naudoti tik gamintojo atsargines dalis. Kitų detalių naudojimas gali sukelti pavojų ar sugadinti įrankį.

Jeigu maitinimo laidas pažeistas, kad nekiltų pavojus saugai jį privalo pakeisti tik gamintojas arba gamintojo įgaliotas techninio aptarnavimo centras. Kreipkitės į įgaliotąjį techninio aptarnavimo centrą.

⚠ ĮSPĖJIMAS

Siekiant užtikrinti saugumą ir įrankio patikimumą, visi remonto darbai turi būti atliekami ĮGALIOTAME TECHNINĖS PRIEŽIŪROS CENTRE ar kitoje KVALIFIKUOTOJE TECHNINĖS PRIEŽIŪROS ĮMONĖJE.

PAGRINDINIAI

Valydami plastikinės detales, nenaudokite tirpiklių. Daugelis plastikų jautrūs įvairių tipų komerciniams tirpikliams ir juos naudojant galima pažeisti plastikinės detales. Valydami purvą, anglies dulkes ir kt. naudokite švirią šluostę.

⚠ ĮSPĖJIMAS

Būkite atsargūs, kad ant plastikinių detalių nepatektų stabdžių skysčio, benzino, naftos turinčių produktų, tepalo ir pan. Juose yra chemikalų, kurie gali sugadinti, pažeisti arba susilpninti plastiką.

Tinko ar gipskartonio dulkės šiurkščios ir patekusios į variklio skyrelį gali sugadinti gaminį, nepasibaigus jo naudojimo laikui. Būtinai naudokite dulkių ištraukimo įtaisą, prijungtą prie dulkių siurblio. Panaudojus gaminį, jį reikia kruopščiai išvalyti šepečiu ir dulkių siurbliu. Būkite atsargūs, kad valant dulkių nepatektų į ventiliacijos angas. Dulkių nuo gaminio negalima šalinti suspaustu oru. Suspaustu oru nupūsti nešvarumai ir smiltelės gali sukelti sunkius akių sužeidimus.

SUTEPIMAS

Kad įprastomis darbo sąlygomis perforatorius ilgai nesusidėvėtų, visi jo guoliai sutepti reikiamu kiekiu aukštos klasės tepalo. Todėl daugiau jo tepti nebereikia.

APLINKOS APSAUGA



Žaliavines medžiagas perdirbkite pakartotinai, o ne išmeskite kaip atliekas. Gaminys, priedai ir pakotės turi būti laikomi pakartotinai perdirbti aplinkai nekenksmingu būdu.

SIMBOLIAI ANT ĮRENGINIO



Pranešimas apie saugumą

V Voltai

Hz Hercai

~ Kintamoji srovė

W Vatai

n₀ Greitis be apkrovimo

min⁻¹ Apsukos ar judėjimas per minutę



CE suderinimas



„EurAsian“ atitikties ženklas



Ukrainos atitikties ženklas



II klasės įrenginys
Dviguba izoliacija



Mediena –
Kertamieji ir tiesūs pjūviai



Juodųjų metalų –
Kertamieji ir tiesūs pjūviai



Plastikas –
Kertamieji ir tiesūs pjūviai



Gipso kartonas –
Kertamieji ir tiesūs pjūviai



Cementas –
Plytelių skiedinio šalinimas



Plytelių klijų šalinimas



Prieš pradėdant naudoti šį prietaisą, prašome atidžiai perskaityti šias instrukcijas.



Dėvėkite akių, ausų ir kvėpavimo takų apsaugos priemones.



Elektrinių produktų atliekos neturi būti metamos kartu su namų ūkio atliekomis. Prašome perdirbkite jas ten, kur yra tokios perdirbimo bazės. Dėl perdirbimo patarimo kreipkitės į savo vietinę savivaldybę ar pardavėją.

ŽENKLAS ŠIOJE INSTRUKCIJOJE



Pastaba



Jungimas prie maitinimo lizdo.



Išjungimas iš maitinimo lizdo.



Detalės arba priedai yra parduodami atskirai



Blokėtąjs



Atrakinti



Greitis, minimalus



Greitis, maksimalus

Šie signaliniai žodžiai yra skirti nurodyti su prietaiso naudojimu susijusio pavojaus lygį.

PAVOJUS

Rodo grėšiančią pavojingą situaciją, kurios neišvengus galima patirti mirtiną arba sunkų sužalojimą.

ĮSPĖJIMAS

Rodo potencialiai pavojingą situaciją, kurios neišvengus galima patirti mirtiną arba sunkų sužalojimą.

ATSARGIAI

Rodo potencialiai pavojingą situaciją, kurios neišvengus galima patirti nesunkų arba vidutinio sunkumo sužalojimą.

ATSARGIAI

(Be įspėjamojo šauktuko) Reiškia situaciją, kurioje galima sugadinti turtą.

Universaaltööriista konstrueerimisel on peaesmärgiks olnud toote ohutus, tootlikkus ja töökindlus.

OTSTARBEKOHANE KASUTAMINE

See universaaltööriist on ette nähtud kasutamiseks vaid täiskasvanud töötaja poolt, kes on selle kasutusjuhendi juhised ja hoiatused läbi lugenud ja mõistab vastutust nende täitmise eest.

Universaaltööriist on ette nähtud järgmisteks töödeks:

- metallide, puidu, plastide ja nendega sarnaste materjalide lihvimiseks ja viimistlemiseks kompleksis olevate abrasiivpatjade abil;
- mittemetallist, puidust, plastidest, kipsplaadist materjalide kaabitsemiseks ja avade lõikamiseks kompleksis olevate lõiketerade abil;
- lülite ja pistikupesade avade lõikamiseks seintesse;
- keraamiliste plaatide vuukide eemaldamiseks.

Universaaltööriist on ette nähtud kasutamiseks ruumides, mis on hästi valgustatud ja ventileeritud.

Toode ei ole kasutatav märgadel materjalidel ja pindadel.

Ärge kasutage seadet ühelgi muul viisil kui mainitud sihtotstarbeks.

⚠ HOIATUS!

Lugege läbi kõik mehaanilise tööriista kohta esitatud ohuhoiatused ning tutvuge tööriista jooniste ja tehniliste andmetega. Kõigi allpool loetletud juhiste mittejärgimine võib põhjustada elektrilöögi, tulekahju ja/või raske vigastuse.

Hoidke hoiatusi ja juhiseid edaspidiseks juhendumiseks alles.

UNIVERSAALTÖÖRIISTA OHUHOIATUSED

- Hoidke seadet käes ainult isoleeritud pindadest. Lõikevahend võib sattuda kontakti varjatud juhtmetistikuga või iseenda juhtmega. Kui kinnitusdetail või puur satub kontakti pinge all olevate juhtmega, jäävad tööriista isoleerimata metallosad pinge alla ja kasutaja võib saada elektrilöögi.
- Tööriistaga töötamisel kandke alati kaitseprille. Tolmustes kohtades töötamisel kandke tolmu maski.
- Kui toode kiilub kinni, taaskäivitub see automaatselt.

⚠ HOIATUS

Mõnede värvide tolm, pinnakatted ja materjalid võivad põhjustada hingamisteede ärritust või allergilisi reaktsioone. Tamme- ja pöökpuu, MDF-i ja sarnaste materjalide tolm on kantserogeenne. Asbesti sisaldavaid materjale tohivad selle seadmega töödelda vaid väljaõppinud spetsialistid.

⚠ HOIATUS

Seade ei tohi mingil juhul olla toitepinge all sel ajal kui kinnitate selle osi, teete reguleerimistoiminguid, puhastate või hooldate seadet ning siis kui seda ei kasutata. Seadme elektrivõrgust lahtiuhendamine väldib selle tahtmatu käivitumise, mis võib põhjustada raske kehavigastuse.

- Hoidke toitejuhtmed masina tööpiirkonnast väljapoole. Juhtige kaabel alati enda selja taha.
- Avade puurimisel seintesse, põrandatesse olge ettevaatlik, et vältida kaableid, gaasi- ja veetorustikke.

⚠ HOIATUS

Metallist tarvikud võivad töötamise ajal kuumeneda ja selle tulemusena võite saada nahapõletuse, kui sellega kokkupuutesse satute. Tarvikute vahetamisel tuleb kanda kaitsekindaid. Seadme kahjustuste ja kehavigastuste vältimiseks olge tööriista seadistamisel ettevaatlik.

- Ärge kasutage kahjustatud, pragunenud või kindlalt mittekinnituvaid tarvikuid.
- Kui võimalik, paigaldage kompleksis olevaid tolmu kogumise tarvikuid ja ühendage sellele tolmuimeja, et tolm tööpiirkonnast eemaldada ning aidata sellega vältida hingamisteede ärritust ja seadme vigastamist.
- Seade vibreerib kasutamise ajal oluliselt ja võib pikaajalisel kasutamisel tekitada vaevusi. Vaevuste leevendamiseks ja kehavigastuste vältimiseks tehke töös sagedasi vaheaegasid. Valige selline kiirus, mis võimaldab tõhusalt töötada. Lisateavet vibratsiooniga seotud kehavigastuse kohta lugege alajaotistest "Jääkriskid" ja "Riskide vältimine".

TÄIENDAVAD OHUTUSJUHISED

- Lülitage seade otsekohe välja, kui tarvik kinni kiilub. Ärge lülitage seadet uuesti sisse, kui tarvik on kinni kiilunud, vastasel korral võib tekkida ootamatu tugeva reaktsioonijõuga tagasipõrge. Tehke kindlaks, miks tarvik kinni kiilub ja kõrvaldage selle põhjus, sealjuures pidage kinni ohutusjuhistest.
 - Võimalikud kasutuskohad võivad olla:
 - seda on tooriku sees kallutatud
 - see on tooriku läbistanud
 - seade on üle koormatud

JÄÄKRISKID

Isegi siis, kui seadet kasutatakse kirjeldatud viisil, ei ole võimalik kõrvaldada kõiki jääkriskide mõjureid. Töötamise ajal võivad tekkida järgmised ohud, millele operaator peab pöörama erilist tähelepanu.

- Tolmust põhjustatud kehavigastus
 - Seadme kasutamise ajal tekib märkimisväärsel hulgal tolmu ja peenosakesi. Kasutage seadme kasutamise ajal tolmu kogumisseadet või ühendage sellele tolmuimeja.

- Kandke alati silmakaitsevahendeid.
- Kandke hingamismaski, milles on filter vastavalt lõigatavale materjalile. Tagage töökohal nõuetekohane ventilatsioon.
- Ärge töökohal sööge, jooge ega suitsetage.
- Mürast ja vibratsioonist põhjustatud kehavigastus
 - Kandke kuulmise kaitsevahendeid
 - Ärge kasutage seadet pikka aega. Consulte el apartado "Reducción De Riesgos".
- Elektri kaabli läbilõikamisel on oht saada elektrilööki. Hoidke töötamisel kinni selleks ettenähtud käepidemetest. Ärge puudutage lõiketerasid ega seadme metallosi.

RISKI ALANDAMINE

Teadaolevalt võib käsitööriistade kasutamine põhjustada mõnedel inimestel seisundit, mida nimetatakse Raynaud' sündroomiks. Los síntomas pueden incluir hormigueo, entorpecimiento y decoloración de los dedos, generalmente aparentes cuando tiene lugar una exposición al frío. Nende sümptomite puhul tuleb hoiduda külmast ja niiskusest, dieedist ning suitsetamisest ja kasutada õigeid töövõtteid. Existen medidas que pueden ser tomadas por el operador para reducir los efectos de vibración:

- Külma ilmaga hoidke oma keha soe. Kandke kindaid, et hoida oma käed ja randmed soojad. Uuringud näitavad, et Raynaud's Syndrome ilmneb põhiliselt külma ilmaga.
- Pärast külmas töötamist tehke harjutusi, et verevarustust kiirendada.
- Tehke regulaarselt töövaheaegasid. Piirake tööperioodi pikkust.

Kui ilmnevad haigustunnused, lõpetage kohe töö ja pöörduge arsti poole.

⚠ HOIATUS

Seadme pikaajalisel kasutamisel võite saada kehavigastusi või vigastused võivad süveneda. Seadme kasutamisel pika aja jooksul tuleb teha korralisi vaheaegasid.

ÕPPIGE OMA TOODET TUNDMA

Vt leht 109.

1. Lõiketera kinnitusklemm
2. Lõiketera lukusti / vabastushoob
3. Lõikepea nurga reguleermehhanismi vabastusnurk
4. Hoja para incisiones
5. Cuchilla raspadora
6. Krohvitera
7. Tasalõike-/metallilõiketera
8. Lihvtaldmik
9. Lihvpaber
10. Tolmuotsak
11. Sügavus-/kõrguspiiraja
12. Adaptador */ **
13. Kiirusregulaator
14. „Sisse/välja“-lüliti
15. Isoleeritud haardepinnaga käepide

R&F pool

Sobib kasutada koos RYOBI, RIDGID ja AEG varasemate mudelite tarvikutega. RYOBI on ettevõtte RYOBI Limited litsentsi alusel kasutatav kaubamärk. RIDGID on ettevõtte Emerson Electric Co kaubamärk. AEG on ettevõtte AB Electrolux (publ) litsentsi alusel kasutatav registreeritud kaubamärk.

*Ühilduv FEIN tarvikutega. FEIN on ettevõtte C. & E. Fein GmbH kaubamärk.

D pool

**Ühilduv DREMEL tarvikutega. DREMEL on ettevõtte Robert Bosch Tool Corporation kaubamärk.

KASUTAMINE

Seadmel on lisaadapter teiste tootjate lõiketerade, kaabitsate ja lihvimistarvikute kasutamiseks. Ärge kasutage seda adapterit RYOBI uue põlvkonna tarvikutega, mis on teie seadme komplektis. Kui soovite kasutada varasema põlvkonna tarvikuid firmadelt RYOBI, RIDGID ja AEG, rakendage adapter märgisega "R&F", suunates selle väljapoole. Adapteri võib muud marki tarvikute kasutamisel ümber pöörata.

- Kinnitage toorik pitskruviga, et vältida selle liikumahakkamist lihvimise või lõikamise ajal. Ärge mingil juhul hoidke toorikut kinni käega. Hetkeline libisemine töötamise ajal võib põhjustada tõsised kehavigastusi.
- Pehmetesse materjalidesse, näiteks puit või kipsplaat ava lõikamisel lõiketarvikutega, lähendage vibreeriv lõiketera toorikule järk-järgult. Ärge suruge vibreerivat lõiketera lõigatava materjali sisse tugevasti. Laske seadmel ise siseneda ja keskenduge seadme kinnihoidmisele ning lõiketera hoidmisele stabiilselt selles asendis, milles soovite lõiget teha.
- Kasutage lõigatava ava sügavuse mõõtmiseks ja sügavuse piiramiseks sügavus-/kõrgusmõõdikut.
- Olge mittemetallist materjalide lõikamisel eriti ettevaatlik. Vibreeriv lõiketera võib enne lõikamise alustamist kõrvale kalduda. Vajaduse korral puurige lõikejoonele mõned avad, et suunata lõiketera õigesse kohta.
- Kui lõiketarvik jääb toorikusse kinni, lülitage seade välja ja ühendage toitevõrgust lahti. Kui lõiketarvikut ei õnnestu lihtsalt eemaldada, laske lõiketarvikul piisavalt jahtuda, enne kui seda eemaldama hakkate. Pange kindad kätte ja kasutage lõiketera toorikust eemaldamiseks näpitsaid ja võtit.

HOOLDUS

⚠ HOIATUS

Seade ei tohi mingil juhul olla toitepinge all sel ajal kui kinnitate selle osi, puhastate või hooldate seadet ning siis kui seda ei kasutata. Seadme elektrivõrgust lahtühendamine väldib selle tahtmatu käivitumise, mis võib põhjustada raske kehavigastuse.

⚠ HOIATUS

Kasutage hooldamisel ainult tootja originaalvaruosi. Muude osade kasutamine võib tekitada ohuolukorra ja põhjustada seadme vigastumise.

Kui toitejuhe on vigastatud, siis tuleb see lasta asendada tootjal või volitatud teeninduskeskuses, et turvariski vältida. Pöörduge volitatud hoolduskeskuse poole.

⚠ HOIATUS

Ohutuse ja töökindluse tagamiseks tuleb parandustööd lasta teha **VOLITATUD HOOLDUSKESKUSES** või **MUUS PÄDEVAS HOOLDUSETTEVÖTTES**.

ÜLDKIRJELDUS

Vältige plastosade puhastamisel lahustite kasutamist. Enamik plaste on tundlikud kaubandusvõrgust saadaolevate lahustite suhtes ja võivad nende mõjul oma omadusi kaotada. Tolmust, õlist, määrdest ja muust mustusest puhastamiseks kasutage puhast riidelappi.

⚠ HOIATUS

Ärge lubage mitte kunagi pidurivedelikel, bensiinil, petrooleumist valmistatud toodetel, immutusõlidel jne puutuda kokku plastikosadega. Kemikaalid võivad kahjustada, nõrgendada või hävitada plastiku.

Kipsplaadi ja seinaplaatide tolm on abrasiivne ja võib põhjustada seadme tõrkeid, kui sellel lasta mootori sisemusse sattuda. Kasutage alati tolmueemalduse tarvikuid, mis on ühendatud imuriga. Puhastage seade pärast kasutamist põhjalikult harja või imuriga. Olge ettevaatlik, et mustus ei pääseks puhastamise ajal ventilatsiooniavadesse. Ärge kasutage tööriistalt tolmu/mustuse eemaldamiseks suruõhku. Mustus ja abrasiivi kübemed võivad põhjustada raskeid silmavigastusi.

MÄÄRIMINE

Kõik selle tööriista laagrid on tehases täidetud piisava hulga kvaliteetse määrdega, mis tagab tavatingimustes nende töövõime kogu kasutusea jooksul. Seetõttu ei ole täiendav määrimine vajalik.

KESKKONNAKAITSE



Taaskasutage materjale nende jäätmekäitluse andmise asemel. Seadmed, tarvikud ja pakend tuleb keskkonnasõbralikult ära sortida.

MASINAL OLEVAD SÜMBOLID



Ohutusalaane teave

V Volt

Hz Hertz

~ Vahelduvvool

W Watt

n₀ Kiirus ilma koormuseta

min⁻¹ Pöörete või löökide arv minutis



CE vastavus



Euraasia vastavusmärk



Ukraina vastavusmärgis



II klassi seade
Topeltisolatsioon



Puit –
Avade lõikamine ja tasalõiked



Mitte metallist materjalidesse –
Avade lõikamine ja tasalõiked



Plast –
Avade lõikamine ja tasalõiked



Kipsplaat –
Avade lõikamine ja tasalõiked



Betoon –
Plaadivuukide eemaldamine



Plaadiliimi eemaldamine



Lugege enne masina kasutamist juhised hoolikalt läbi.



Kandke silmakaitseid, kõrvaklappe ja hingamisteede kaitsevahendeid.



Mittekasutatavaid elektritooteid ei tohi visata olmejäätmete hulka. Vaid tuleb viia vastavasse kogumispunkti. Vajadusel küsige sellekohast nõu oma edasimüüjalt või vastavalt kohaliku omavalitsuse institutsioonilt.

KASUTUSJUHENDIS KASUTATUD SÜMBOLID



MÄRKUS



Ühendage toitevõrku.



Ühendage seade toitevõrgust lahti.



Eraldi ostetavad osad või tarvikud



Lukk



Lahtikeeramine



Velocidad, mínimo



Velocidad, máxima

Järgnevad märguandesõnad ja tähendused on mõeldud selle toote kasutamiseга seotud riskitasemete kirjeldamiseks.



OHT.

Osutab ähvardavale ohuolukorrale, mille mittevältimine lõpeb surma või tõsise vigastusega.



HOIATUS

Osutab võimalikule ohuolukorrale, mille mittevältimine võib lõppeda surma või tõsise kehavigastusega.



ETTEVAATUST

Osutab võimalikule ohuolukorrale, mille mittevältimine võib lõppeda väiksemate või mõõdukate kehavigastustega.

ETTEVAATUST

(Ilma ohutussümbolita) Viitab olukorrale, mis võib põhjustada kahjustusi varale.

U razvoju ovog višenamjenskog alata dati su maksimalni prioriteta sigurnosti, performansama i pouzdanosti.

NAMJENA

Ovaj višenamjenski alat namijenjen je za korištenje samo od strane odraslih osoba koje su pročitale i razumijem upute i upozorenja u ovom priručniku te se mogu smatrati odgovornim za svoje radnje.

Višenamjenski alat namijenjen je za:

- za brušenje i finiiranje metala, drveta, plastike ili sličnih materijala korištenjem isporučeni abrazivnih jastučica
- za rezbarjenje i urezivanje u materijale bez željeza, rezanje drveta, plastike, iverice idr., korištenjem isporučeni metalnih oštrica
- za rezanje otvora u zidovima radi postavljanja prekidača ili utičnica
- za uklanjanje fuga između keramičkih pločica

Višenamjenski alat namijenjen je za rad u suhom zatvorenom prostoru, dobro ventiliranom i s odgovarajućim uvjetima ventilacije

Proizvod nije namijenjen za korištenje na mokrim materijalima i površinama.

Nemojte koristiti proizvod na bilo koji drugi način od onog za koji je namijenjen.

⚠ UPOZORENJE

Pažljivo pročitajte sva upozorenja, upute i specifikacije priložene uz alat i pogledajte crteže. U slučaju nepoštivanja uputa u priručniku može doći do električnog udara i/ili ozbiljnih tjelesnih ozljeda.

Sačuvajte ova upozorenja i upute kako biste ih naknadno mogli konzultirati.

SIGURNOSNA UPOZORENJA ZA VIŠENAMJENSKI ALAT

- Držite proizvod samo za izolirane površine. Pribor za rezanje može doći u dodir sa skrivenom žicom ili vlastitim kablom. Dodirivanje „žive“ žice priborom za rezanje može izložiti metalne dijelove alata električnoj energiji i može dovesti do strujnog udara na operatera.
- Uvijek nosite zaštitne naočale tijekom rada s alatom. Kada se proizvodi prašina nosite masku.
- U slučaju zastoja u radu proizvod će se automatski ponovno pokrenuti.

⚠ UPOZORENJE

Prašina iz određenih boja, premaza i materijala mogu uzrokovati iritacije ili alergijske reakcije u respiratornom sustavu. Prašina iz drveta poput hrasta, bukve, MDF-a i ostalog je karcinogena. Samo kvalificirani stručnjaci trebaju koristiti proizvod na materijalima koji sadrže azbest.

⚠ UPOZORENJE

Proizvod nikad ne smije biti priključen na izvor napajanja kada sastavljate dijelove, vršite podešenja, čistite, izvodite održavanje ili kada se proizvod ne koristi. Iskapčanje proizvoda sprječava slučajno pokretanje koje može dovesti do ozbiljnih osobnih ozljeda.

- Držite glavni kabel dalje od radnog područja stroja. Uvijek provedite kabel dalje iza vas.
- Kada radite u zidovima, podovima ili stropovima, pazite da izbjegnute električne kabele, cijevi za plin i vodu.

⚠ UPOZORENJE

Metalni pribor postaje vruć tijekom korištenja i može uzrokovati opekline na koži ako dođe u dodir s operaterom. Nosite rukavice tijekom izmjene dodatnog pribora. Budite pažljivi kada postavljate alat između postupaka kako biste spriječili oštećenje ili ozljede.

- Nemojte koristiti rezni pribor koji je oštećen, polomljen ili dobro ne pristaje na proizvod.
- Kad got je moguće, postavite pribor za prikupljanje prašine i spojite ga na vakuumski uređaj kako biste uklonili prašinu iz radnog područja i pomogli spriječiti moguće respiratorne iritacije i oštećenje alata.
- Proizvod prekomjerno vibrira tijekom korištenja i može uzrokovati neugodu ako operater radi dulje vrijeme. Za izbjegavanje neugodnosti i ozljeda, uzmite pauze u radu. Odaberite postavku brzine koja omogućuje učinkovito završenje rada. Pročitajte odlomke ostale opasnosti i smanjenje opasnosti za više informacija o ozljedana vezanim uz vibracije.

DODATNA SIGURNOSNA UPOZORENJA

- Odmah isključite uređaj ako je došlo do zastoja alata za umetanje. Nemojte ponovno uključivati proizvod dok je alat za umetanje u zastoju, pošto tako možete uzrokovati naglo odbijanje i odskakanje proizvoda sa snažnom reaktivnom silom. Odredite zašto dolazi do zastoja u radu alata za umetanje i ispravite to, obračavajući pažnju na sigurnosne upite.
 - Mogući uzroci mogu biti:
 - nagnut je u izratku
 - zaglavljnjen je izratkom
 - proizvod je preopterećen

PREOSTALE OPASNOSTI

Čak i kad je proizvod korišten kao što je prethodno opisano, još uvijek nije moguće potpuno isključiti ostale čimbenike opasnosti. Može doći do sljedećih opasnosti prilikom korištenja i operater mora obratiti posebnu pozornost kako bi izbjegao sljedeće:

- Ozljede uzrokovane prašinom
 - Tijekom korištenja proizvoda, proizvodi se značajan dio prašine i finih čestica. Koristite proizvod za prikupljanje prašine ili spojite usisavač za izvlačenje prašine kad proizvod radi.
 - Cijelo vrijeme nosite sredstva za zaštitu očiju.

EN
FR
DE
ES
IT
NL
PT
DA
SV
FI
NO
RU
PL
CS
HU
RO
LV
LT
ET
HR
SL
SK
BG
UK
TR
EL

- Nosite respiratorne maske koje sadrže odgovarajuće filtere za materijale s kojima se radi. Osigurajte odgovarajuću ventilaciju radnog mjesta.
- Nemojte jesti, piti ili pušiti u radom području.
- Povrede uzrokovane bukom i vibracijom
 - Nosite zaštitu za sluh
 - Nemojte raditi s proizvodom dulje vremensko razdoblje. Pogledajte „Smanjenje Opasnosti“.
- Opasnost od strujnog udara ako se prerežu električni kabeli
 - Uvijek držite proizvod za označene ručke. nemojte dodirivati rezne oštrice ili metalne dijelove proizvoda.

SMANJENJE OPASNOSTI

Prijavljeno je da vibracije alata koje se drži u ruci kod određenih pojedinaca mogu doprinijeti stanju pod nazivom Raynaud's Syndrome. Simptomi mogu uključivati trnce, ukočenost i bjelinu prstiju, obično uočljivo po izlaganju hladnoći. Smatra se da nasljedne osobine, izlaganje hladnoći i vlazi, dijeta, pušenje i radni postupci pridonose razvoju ovih simptoma. Postoje mjere koje operator može poduzeti kako bi smanjio moguće učinke vibracije:

- Održavajte svoje tijelo toplim u hladnim vremenskim uvjetima. Kad radite s uređajem nosite rukavice kako biste ruke i zglobove održavali toplima. Prijavljeno je da je hladnoća glavni čimbenik koji doprinosi Raynaud's Syndrome.
- Nakon svakog perioda rada vježbajte kako biste povećali cirkulaciju krvi.
- Uzimajte česte stanke u radu. Ograničite količinu izlaganja po danu.

Ako osjetite neke od simptoma ovog stanja, odmah prekinite korištenje i obratite se svome liječniku vezano uz ove simptome.

⚠ UPOZORENJE

Ozljede mogu biti uzrokovane ili izazvane produljenim vremenskim razdobljem korištenja alata. Kada koristite bilo koji alat dulje vremena, osigurajte da uzimate povremene stanke.

UPOZNAJTE SVOJ PROIZVOD

Pogledajte stranicu 109.

1. Spojnica oštrice
2. Blokada oštrice/poluga za otpuštanje
3. Glavni kut gumba za podešavanje
4. Oštrica za prividni rez
5. Oštrica strugača
6. Oštrica za skidanje taloga
7. Ravna oštrica / metalna oštrica
8. Brusna ploča
9. Brusni papir
10. Prašina Luka
11. Mjerač dubine/visine
12. Adapter * / **
13. Kontrola brzine
14. Sklopka za Uklj./isklj. (ON/OFF)
15. Drška, izolirana površina za hvatanje

Strana R&F

Kompatibilno s ranijim generacijama pribora RYOBI, RIDGID ili AEG . RYOBI je žig korišten po licenci dobivenoj od tvrtke RYOBI Limited. RIDGID je žig tvrtke Emerson Electric Co. AEG je registrirani žig korišten po licenci dobivenoj od tvrtke AB Electrolux (publ).

*Kompatibilno s FEIN priborom. FEIN je žig tvrtke C. & E. Fein GmbH.

Strana D

**Kompatibilno s DREMEL priborom. DREMEL je žig tvrtke Robert Bosch Tool Corporation.

RAD

Proizvod je opremljen s dodatnim adapterom za korištenje s dodatnim priborom drugih marki za rezanje, struganje i brušenje. Nemojte koristiti adapter s najnovijim generacijom RYOBI dodatnog pribora isporučenog s vašim alatom. Primjerice, koristite adapter sa slovima „R&F“ okrenutim prema naprijed ako želite raniju generaciju RYOBI, RIDGID ili AEG dodatnog pribora. Adapter se može okrenuti za korištenje s dodatnim priborom drugih marki.

- Pričvrstite izradak sa spojnicam kako biste spriječili pomicanje tijekom brušenja ili rezanja. Nikad ne držite ruku na izratku. Nenamjerno klizanje tijekom uporabe proizvoda može uzrokovati ozbiljne ozljede.
- Prilikom zarezivanja mekih materijala kao što su drvo i gipsane ploče koristite pribor za rezanje, postupno donoseći vibrirajuću oštricu na izradak. Nemojte gurati vibrirajuću oštricu u materijal koji treba rezati. Neka proizvod radi i koncentrirajte se na držanje proizvoda i rezne oštrice stabilnom u poziciji gdje želite napraviti rez.
- Koristite mjerač dubine/visine za pomoć za postavljanje dubine reza ili sprječavanje da oštrica uđe predbuko u materijal.
- Budite osobito pažljivo kada režete u materijalima u kojima nema čelika. Vibrirajuća rezna oštrica može poskočiti okolo prije početka rezanja. Po potrebi, izbušite otvore duž linije koji želite izrezati za pomoć reznj oštrici.
- Ako rezni pribor zaglavi u izratku, isključite proizvod i odspojite napajanje. Ako se rezani pribor ne može lako ukloniti, omogućite rezanom priboru adekvatno da se ohladi prije oslobađanja reznog pribora iz proizvoda. Nosite rukavice i koristite ručni alat, kao što su kliješta i ključ za uklanjanje reznog pribora od izratka.

ODRŽAVANJE

⚠ UPOZORENJE

Proizvod nikad ne smije biti priključen na izvor napajanja kada sastavljate dijelove, čistite, izvodite održavanje ili kada se proizvod ne koristi. Iskapčanje proizvoda sprječava slučajno pokretanje koje može dovesti do ozbiljnih osobnih ozljeda.

⚠ UPOZORENJE

Prilikom servisiranja, koristite samo originalne zamjenske dijelove od proizvođača. Korištenje nekih drugih dijelova može dovesti do opasnosti ili uzrokovati oštećenje alat.

Ako je kabel napajanja oštećen, mora ga zamijeniti samo proizvođač ili ovlašten servis, kako bi se izbjegle opasnosti po sigurnost. Obratite se ovlaštenom servisnom centru.

⚠ UPOZORENJE

Za maksimalnu sigurnost i pouzdanost, sve popravke treba obaviti u ovlaštenom RYOBI servisu.

OPĆENITO

Prilikom čišćenja plastičnih dijelova izbjegavajte koristiti kemijska sredstva. Većina plastika je podložna različitim vrstama komercijalnih kemijskih sredstava za čišćenje i mogu se oštetiti prilikom njihovog korištenja. Za uklanjanje nečistoća, prašine, ulja masti i drugog upotrebljavajte čistu krpu.

⚠ UPOZORENJE

Plastični dijelovi nikad ne smiju doći u dodir s kočionom tekućinom, benzinom, proizvodima na bazi nafte, uljima itd. Ti kemijski proizvodi sadrže tvari koje mogu oštetiti, oslabiti ili uništiti plastiku.

Prašina iz žbuke i zidne ploče je abrazivna i može uzrokovati kvar proizvoda ako dođe u prostor motora. Uvijek koristite pribor za usisavanje prašine spojen na usisavač. Temeljito očistite proizvod nakon korištenja četki i usisavača. Pazite da ne gurate prljavštinu u ventilacijske otvore. Nemojte koristiti komprimirani zrak za uklanjanje prašine iz proizvoda. Prljavština i komadići ispuhani s komprimiranim zrakom mogu uzrokovati ozbiljne ozljede oka.

PODMAZIVANJE

Svi ležajevi u ovom proizvodu podmazani su s dovoljnom količinom visokokvalitetnog sredstva za podmazivanje za životni vijek proizvoda u normalnim radnim uvjetima. Stoga nije potrebno daljnje podmazivanje.

ZAŠTITA OKOLIŠA



Sirovine reciklirajte, umjesto da ih odlažete kao otpad. Kako biste zaštitili okoliš proizvod, dodatke i ambalažu treba odvojeno bacati u otpad.

SIMBOLI NA PROIZVODU



Sigurnosno upozorenje

V Volti

Hz Herzi

~ Izmjenična struja

W Wati

n_o Brzina bez opterećenja

min⁻¹ Broj okreta ili pokreta u minuti

CE Sukladno CE

EAC EurAsian znak konformnosti



Ukrajinska oznaka za sukladnost



Oprema klase II
Dvostruka izolacija



Drvo –
Prividni i potpuni rezovi



Koji ne sadrže željezo –
Prividni i potpuni rezovi



Plastika –
Prividni i potpuni rezovi



Knauf –
Prividni i potpuni rezovi



Beton –
Uklanjanje taloga pločica



Uklanjanje ljepila pločica



Molimo vas da prije pokretanja uređaja pažljivo pročitate upute.



Nosite odgovarajuću zaštitu za vid, sluh i disanje.



Otpadni električni proizvodi ne treba da se odlažu s otpadom iz domaćinstva. Molimo da reciklirate gdje je to moguće. Potražite savjet od lokalnih vlasti ili prodavca kako reciklirati.

SIMBOLI U PRIRUČNIKU



Napomena



Priključite na napajanje.



Odspojite iz napajanja.



Dijelovi ili pribor prodan odvojeno



Brava



Otključavanje



Brzina, minimalna



Brzina, maksimum

Slijedeće riječi upozorenja i značenja imaju namjeru da objasne nivo rizika u vezi s ovim proizvodom.



OPASNOST

Naznačuje prijeteću opasnu situaciju, koja ako se ne izbjegne dovodi do smrti ili ozbiljnih ozljeda.



UPOZORENJE

Naznačuje potencijalno opasnu situaciju, koja ako se ne izbjegne dovodi do smrti ili ozbiljnih ozljeda.



OPREZ

Naznačuje potencijalno opasnu situaciju, koja ako se ne izbjegne dovodi do lakših ili srednjih ozljeda.

OPREZ

(Bez simbola upozorenja sigurnosti) Označava situaciju koja može izazvati oštećenje imovine.

Varnost, učinkovitost in zanesljivost so bile pri načrtovanju vašega večnamenskega orodja ključnega pomena.

NAMEN UPORABE

Večnamensko orodje je namenjeno odraslim, ki so prebrali in razumejo navodila in opozorila v tem priročniku in ki so odgovorni za svoja dejanja.

Večnamensko orodje je namenjeno:

- za peskanje in končno obdelavo kovin, lesa, plastike ali podobnih materialov s priloženimi blazinicami za z abrazivnimi listi
- za strganje in potopno rezanje v barvne kovine, les, plastiko, mavčne plošče itd. s priloženimi kovinskimi rezili
- za rezanje odprtin v stene za namestitve stikal ali vtičnic
- za odstranjevanje fug med keramičnimi ploščicami

Večnamensko orodje je namenjen za uporabo v notranjih prostorih, na suhem, dobro osvetljenem in primerno prezračenem mestu.

Izdelek ni namenjen za uporabo na mokrih materialih in površinah.

Izdelka ne uporabljajte na noben način, ki ni predpisan za to napravo.

⚠ OPOZORILO

Preberite vsa varnostna opozorila, navodila, ilustracije in specifikacije, ki so priložene temu električnemu orodju. Neupoštevanje vseh spodaj navedenih navodil lahko privede do električnega udara, požara in/ali hude poškodbe.

Shranite vsa opozorila in navodila za kasnejšo uporabo.

VARNOSTNA OPOZORIILA ZA VEČNAMENSKO ORODJE

- Izdelek držite samo za izolirane površine. Rezilni nastavek lahko zadene ob skrite napeljave ali svoj kabel. Če se pripomočki za rezanje dotaknejo žice, ki je pod električno napetostjo, lahko izpostavljeni kovinski deli električnega orodja povzročijo električni udar.
- Pri uporabi orodja vedno nosite zaščitna očala. Nosite zaščitno masko, če nastaja prah.
- Izdelek se po zastoju samodejno znova zažene.

⚠ OPOZORILO

Prah z določenih delov, premazi in materiali lahko povzročijo draženje ali alergijske reakcije dihal. Prah z lesa, kot je hrast, bukev, MDF-plošče ali drugi, je karcinogen. Izdelek smejo na materialih, ki vsebuje azbest, uporabljati le izkušeni strokovnjaki.

⚠ OPOZORILO

Ko sestavljate dele, prilagajate, čistite ali vzdržujete orodje, ali ko izdelka ne uporabljajte, ga nikoli ne imejte priključenega na vir napajanja. Če izdelek odklopite, preprečite nenamerni zagon, ki bi lahko povzročil hude poškodbe.

- Omrežna napeljava naj bo zunaj delovnega območja stroja. Kabel vedno speljite proč za vami.
- Pri delu v stenah, stropih ali tleh pazite, da se izognite električnim kablom ali plinskimi ali vodovodnim napeljavam.

⚠ OPOZORILO

Kovinski dodatki se bodo med uporabo segreli in lahko povzročijo opekline kože. Med menjavanjem dodatkov nosite rokavice. Ko odlagate orodje pazite, da preprečite materialno škodo ali telesne poškodbe.

- Ne uporabljajte dodatkov za rezanje, ki so poškodovani, počeni ali se nepravilno prilegajo v izdelek.
- Kadar je mogoče, namestite nastavek za zbiranje prahu in ga priključite na sesalno napravo za odstranjevanje prahu iz delovnega prostora, da preprečite morebitno draženje dihal in poškodbe orodja.
- Izdelek se med uporabo močno trese in lahko povzroči nelagodje, če ga uporabljate dalj časa. Za lajšanje nelagodja in preprečitev poškodb si pogosto vzemite odmor. Izberite nastavek hitrosti, s katero boste delo učinkovito opravili. Preberite razdelka Preostala tveganja in Zmanjševanje tveganj za več informacij o tveganjih, povezanih s tresljalji.

DODATNA VARNOSTNA OPOZORIILA

- Če vstavitveno orodje zastane, takoj izklopite napravo. Če je vstavitveno orodje zastalo, naprave ne vklopite znova, ker lahko s tem sprožite nenaden sunek z veliko reakcijsko silo. Ugotovite vzrok za zastoj vstavitvenega orodja in ga odpravite, pri čemer upoštevajte varnostna navodila.
 - Možni načini uporabe so:
 - nagnil se je v obdelovancu
 - prebodel je obdelovanec
 - izdelek je preobremenjen

PREOSTALA TVEGANJA

Nekateri preostalih dejavnikov tveganja ni mogoče povsem odpraviti, tudi če ta izdelek uporabljate v skladu z navodili. Med uporabo se lahko pojavijo nekatere nevarnosti, upravljavec pa naj bo pozoren na naslednje:

- Poškodbe zaradi prahu
 - Pri uporabi izdelka nastane precejšnja količina prahu in finih delcev. Pri uporabi izdelka uporabljajte zbiralnik prahu ali priključite sesalnik za prah.
 - Vedno nosite zaščitno za očmi.
 - Nosite zaščitne dihalne maske s primernimi filtri za obdelovane materiale. Zagotovite primerno prezračevanje prostora.

- V delovnem območju je prepovedano jesti, piti in kaditi.
- Poškodbe zaradi hrupa in vibracij
 - Nosite zaščito za ušesa
 - Izdelka ne uporabljajte predolgo. Glejte »Zmanjševanje Tveganja«.
- Nevarnost električnega udara, če vrtate v električne kable

Izdelek vedno držite za ustrezne ročaje. Ne dotikajte se rezil ali kovinskih delov izdelka.

ZMANJŠANJE TVEGANJA

Ugotovljeno je bilo, da lahko pri nekaterih posameznikih vibracije ročnih orodij povzročijo Raynaudov sindrom. Simptomi so lahko mravljinči, otrplost in pobledele prsti, kar je običajno vidno, kadar je oseba izpostavljena mrazu. Dedni dejavniki, izpostavljenost mrazu in vlagi, dieta, kajenje in delovne navade naj bi pripomogle k razvoju teh simptomov. Za zmanjšanje učinkov vibracij lahko upravljavec upošteva naslednja navodila:

- Poskrbite, da bo vaše telo na mrazu toplo. Med upravljanjem nosite rokavice in tako ohranjajte toploto vaših dlani in zapestij. Kot poročajo, je mraz glavni dejavnik, ki prispeva k Raynaudovemu sindromu.
- Po vsakem obdobju upravljanja naprave telovadite in tako pospešite krvni obtok.
- Pogosto si vzemite odmor. Omejite dnevno količino izpostavljenosti.

Če zaznavate kakršne koli simptome takšnega stanja, takoj prenehajte z uporabo naprave in se o simptomih posvetujte z zdravnikom.

⚠ OPOZORILO

Zaradi daljše uporabe orodja lahko pride do poškodb oz. se morebitne poškodbe poslabšajo. Kadar orodje uporabljate dalj časa, si večkrat vzemite odmor.

SPOZNAJTE SVOJ IZDELEK

Glejte stran 109.

1. Objemka rezila
2. Ročica za zaklep/sprostitev rezila
3. Gumb za sprostitvev oz. prilagoditev naklona glave
4. Potopno rezilo
5. Strgalno rezilo
6. Rezilo za fuge
7. Ravno rezilo/kovinsko rezilo
8. Brusna podloga
9. Brusni papir
10. Priključek vrečke za zbiranje prahu
11. Merilnik globine/višine
12. Adapter */ **
13. Upravljanje hitrosti
14. Stikalo za vklop/izklop
15. Ročaj, izolirano držalo

Stran R&F

Združljivo s prejšnjimi generacijami dodatkov RYOBI, RIDGID ali AEG. RYOBI je blagovna znamka, ki se

uporablja z dovoljenjem podjetja RYOBI Limited. RIDGID je blagovna znamka podjetja Emerson Electric Co. AEG je registrirana blagovna znamka, ki se uporablja z dovoljenjem podjetja AB Electrolux (publ).

*Združljiv z dodatki FEIN . FEIN je blagovna znamka podjetja C. & E. Fein GmbH.

Stran D

**Združljiv z dodatki DREMEL . DREMEL je blagovna znamka podjetja Robert Bosch Tool Corporation.

DELOVANJE

Izdelek je dobavljen z dodatnim nastavkom za uporabo z drugimi znamkami dodatkov za rezanje, strganje in brušenje. Nastavka ne uporabljajte z najnovejšo generacijo dodatkov RYOBI, ki so priloženi izdelku. Primer: uporabite nastavek s črkama "R&F", ki gledata navzven, če želite uporabiti prejšnjo različico nastavkov RYOBI, RIDGID ali AEG. Nastavek lahko obrnete okrog za uporabo z drugimi znamkami dodatkov.

- Obdelovanec pritrdite s sponko, da se med brušenjem ali rezanjem ne bo premaknil. Obdelovanca nikoli ne držite z roko. Če vam zdrsne, medtem ko uporabljate izdelek, se lahko z izdelkom hudo telesno poškodujete.
- Pri potopnih rezih z rezilnim nastavkom v mehke materiale, kot sta les in mavčne plošče, počasi približujte rezilo k obdelovancu. Ne pritiskajte rezila močno v material, ki ga režete. Pustite, da izdelek opravi svoje delo, in se osredotočite na to, da bo rezilo stabilno v položaju za rezanje.
- Z merilnikom globine/višine si pomagajte pri določanju globine reza, da ne boste zarezali pregloboko v material.
- Bodite izredno previdni pri rezanju v barvne kovine. Vibracijsko rezilo lahko zdrsne, preden začne rezati. Za pomoč rezilu po potrebi izvrtajte nekaj lukenj na liniji, kjer želite zarezati.
- Če se rezilo zagodzi v obdelovanec, izključite izdelek in ga odklopite iz električnega napajanja. Če rezilnega nastavka ni mogoče enostavno odstraniti, pustite, da se dovolj ohladi, preden rezilni nastavek snamete z izdelka. Nosite rokavice in uporabite ročno orodje, kot so kleščice in ključ, da iz obdelovanca odstranite rezilni nastavek.

VZDRŽEVANJE

⚠ OPOZORILO

Izdelka ne puščajte priklapljenega na električno napeljavo, kadar nameščate dele, ga čistite, opravljate vzdrževalna dela ali kadar izdelka ne uporabljate. Če izdelek odklopite, preprečite nenameren zagon, ki bi lahko povzročil hude poškodbe.

⚠ OPOZORILO

Za servisiranje uporabljajte samo nadomestne dele originalnega proizvajalca. Uporaba drugih delov lahko pomeni tveganje ali povzroči škodo na izdelku.

Če je napajalni kabel poškodovan, ga mora zamenjati izključno proizvajalec ali pooblaščen serviser v izogib nevarnostim. Kontaktirajte pooblaščen servisni center.

OPOZORILO

Za večjo varnost in zanesljivost morajo vsa popravila izvajati v pooblaščenem servisnem centru RYOBI.

SPLOŠNO

Pri čiščenju plastičnih delov se izogibajte toplim. Večina vrst plastik se lahko pri uporabi različnih komercialnih topil poškoduje. Za odstranjevanje umazanije, saj in podobnega uporabljajte čisto krpo.

OPOZORILO

Ne dovolite, da bi zavorne tekočine, gorivo, izdelki, ki vsebujejo petrolej, penetracijska olja in podobno kadarkoli prišli v stik s plastičnimi deli. Kemikalije lahko poškodujejo, oslabijo ali uničijo plastiko.

Mavčni prah in prah stenskih plošč je abraziven in lahko povzroči prezgodnjo okvaro izdelka, če vstopi v območje motorja. Vedno uporabljajte dodatek za odvajanje prahu, ki naj bo priključen na sesalnik. Temeljito očistite izdelek po uporabi s krtačko in sesalnikom. Pazite, da ne potisnete umazanije v odprtine za prezračevanje. Iz izdelka prahu ne spihujte s stisnjenim zrakom. Umazanija in pesek, ki ju odpihne stisnjeni zrak, lahko povzročijo hude poškodbe oči.

MAZANJE

Vsi ležaji na napravi so namazani z dovolj kakovostnega maziva, tako da mazanje naprave ob normalni uporabi do konca življenjske dobe naprave ni več potrebno. Zato dodatno mazanje ni potrebno.

ZAŠČITA OKOLJA



Namesto, da napravo zavržete, reciklirajte surovine. Napravo, pribor in embalažo je treba sortirati za okolju prijazno recikliranje.

SIMBOLI NA IZDELKU



Varnostni alarm

V Volti

Hz Hertz

~ Izmenični tok

W Watt

n_o Hitrost brez obremenitve

min⁻¹ Vrtljajev ali nihajev na minuto



Skladnost CE



EurAsian oznaka o skladnosti



Ukrajinska oznaka za skladnost



Oprema razreda II
Dvojna izolacija



Les –
Potopni in ravni rezi



Kovin ki ne vsebujejo železa –
Potopni in ravni rezi



Plastika –
Potopni in ravni rezi



Suhomontažna stena –
Potopni in ravni rezi



Beton –
Odstranjevanje fug



Odstranjevanje lepila fug



Pred zagonom naprave pazorno preberite navodila.



Nosite zaščito za oči, ušesa in dihala.



Odpadne električne izdelke ne odlagajte skupaj z ostalimi gospodinjskimi odpadki. Reciklažo opravljajte na predpisanih mestih. Za nasvet se obrnite na lokalne oblasti.

SIMBOLI V PRIROČNIKU



Opomba



Priključite na električno napajanje.



Odklopite z električnega napajanja.



Deli ali dodatki so na prodaj ločeno



Zaklenjeno



Odklenjeno



Hitrost



Hitrost, največja

Sledeče signalne besede in pomeni naj bi pojasnili ravni tveganja, ki so povezane s tem izdelkom.

 **NEVARNOST**

Označuje neizogibno nevarno stanje, ki lahko povzroči smrt ali hude poškodbe, če ga ne preprečite.

 **OPOZORILO**

Označuje morebitno nevarno stanje, ki bi lahko povzročilo smrt ali hude poškodbe, če ga ne preprečite.

 **POZOR**

Označuje morebitno nevarno stanje, ki lahko povzroči manjše ali zmerne poškodbe, če se ga ne preprečite.

POZOR

(Brez simbola Varnostni alarm) Označuje stanje, ki lahko privede do poškodovanja lastnine.

Na dosiahnutie jednoduchej obsluhy a prevádzky boli pri navrhovaní tohto multifunkčného nástroja najvyššou prioritou bezpečnosť, výkon a spoľahlivosť.

ÚČEL POUŽITIA

Tento multifunkčný nástroj je určený len na použitie dospelými osobami, ktoré si prečítali a porozumeli pokynom a výstrahám v tomto návode a možno ich považovať za zodpovedajúce za svoje činy.

Tento multifunkčný nástroj je určený na:

- na brúsenie a leštenie kovu, drevu, plastu alebo podobných materiálov pomocou pribalených brúsnych podložiek,
- na stieranie a prepilovanie do neželezných kovov, dreva, plastov, sadrokartónu a pod. s použitím metalických rezacích ostrí,
- na rezanie otvorov do stien na prispôbenie spínačov alebo elektrických zásuviek,
- na odstraňovanie injekťáže medzi keramikými obkladačkami,

Tento multifunkčný nástroj je určený na použitie v interiéri v suchom, dobre osvetlenom a dostatočne vetranom prostredí.

Tento produkt nie je vhodný na použitie na mokrých materiáloch a povrchoch.

Tento produkt nepoužívajte žiadnym iným spôsobom, ako je uvedené v účele použitia.

VAROVANIE

Prečítajte si všetky výstrahy, pokyny, vyobrazenia a špecifikácie dodané k tomuto elektrickému nástroju. Nedodržanie nižšie uvedených pokynov môže mať za následok úraz elektrickým prúdom, vznik požiaru alebo vážne poranenie.

Všetky varovania a inštrukcie uschovajte pre použitie v budúcnosti.

MULTIFUNKČNÝ NÁSTROJ – BEZPEČNOSTNÉ VÝSTRAHY

- Produkt držte vždy len za izolované povrchy. Rezacie príslušenstvo sa môže dostať do kontaktu so skrytým vedením alebo vlastným káblom. Pri kontakte rezacieho príslušenstva so „živým“ vodičom by mohli byť obnažené kovové diely pod prúdom a spôsobiť obsluhujúcemu úder elektrickým prúdom.
- Pri práci so zariadením vždy používajte ochranné okuliare. Keď pri práci vzniká prach, používajte protiprachovú masku.
- Výrobok sa po zastavení automaticky reštartuje.

VAROVANIE

Prach z niektorých farieb, náterov a materiálov môže spôsobiť podráždenie alebo alergické reakcie dýchaciemu systému. Prach z dreva, napríklad dubu, buku MDF a iných, je karcinogénny. Na materiáloch obsahujúcich azbest je povolené používať produkt len kvalifikovaných odborníkom.

VAROVANIE

Tento produkt sa nikdy nesmie pripájať do elektrickej siete, keď montujete diely, vykonávate úpravy, čistíte alebo vykonávate údržbu, alebo keď produkt nepoužívate. Odpojením produktu zabránite náhodnému spusteniu, ktoré by mohlo spôsobiť závažné poranenie.

- Napájacie vedenie nedávajte do blízkosti pracovného dosahu zariadenia. Kábel vždy vedte za vami.
- Pri práci na stenách, stropoch alebo dlážkach dávajte pozor, aby ste nezasiahli elektrické káble a plynové či vodovodné potrubie.

VAROVANIE

Metalické príslušenstvo sa pri práci zohreje na vysokú teplotu a mohlo by pri kontakte s obsluhujúcou osobou spôsobiť popálenie kože. Pri výmene príslušenstva používajte rukavice. Pri pokladaní nástroja medzi operáciami buďte opatrní, aby nedošlo k poškodeniu alebo poraneniu.

- Nepoužívajte rezacie príslušenstvo, ktoré je poškodené, prasknuté alebo sa nedá pevne nasadiť do produktu.
- Vždy, keď je to možné, nasaďte pribalené príslušenstvo na zber prachu a pripojte ho k vysávaciemu zariadeniu, ktoré bude odstraňovať prach z pracovného priestoru a pomôže zabrániť dráždeniu dýchacích ciest a poškodeniu nástroja.
- Produkt pri práci silne vibruje a môže spôsobiť nepohodlie, ak sa používa dlhšie časové obdobia. Ak chcete toto nepohodlie zmierniť a predísť zraneniu, robte časté pracovné prestávky. Vyberte nastavenie rýchlosti, ktoré vykoná prácu čo najúčinnejšie. Prečítajte si sekcia Zvyšková rizikovosť a Redukcia rizika, kde nájdete bližšie informácie o zraneniach spôsobených vibráciami.

AKUMULÁTOR – BEZPEČNOSTNÉ VÝSTRAHY

- Ak sa zasúvacie náradie zastaví, zariadenie okamžite vypnite. Kým zasúvacie náradie stojí, zariadenie znova nezapínajte, pretože by mohlo dôjsť k spusteniu náhleho spätného účinku s vysokou reakčnou silou. Zistíte, prečo sa zasúvacie náradie zastavilo, odstráňte príčinu zastavenia a dodržiavajte pritom bezpečnostné pokyny.
 - Možné príčiny:
 - je naklonený v obrobku
 - prebodol obrobok
 - produkt je preťažený

ZVYŠKOVÁ RIZIKOVOSŤ

Aj keď sa nástroj používa podľa predpisu, nie je možné eliminovať určité zvyškové rizikové faktory. Pri použití vznikajú nasledujúce riziká a obsluhujúca osoba musí venovať zvláštnu pozornosť, aby nedošlo k nasledovnému:

- Zranenie spôsobené prachom
 - Pri používaní produktu sa bude vytvárať značné množstvo prachu a jemných častíc. Pri práci s produktom používajte zariadenie na zber prachu alebo vysávač na odsávanie prachu.
 - Neustále používajte ochranu zraku.
 - Používajte dýchacie masky obsahujúce filtre vhodné pre obrábané materiály. Zabezpečte primerané vetranie pracoviska.
 - Na pracovisku nejezdte, nepite ani nefajčite.
- Poranenie spôsobené hlukom a vibráciami
 - Noste ochranu sluchu
 - Nepoužívajte produkt príliš dlhé časové obdobia. Pozrite časť "Znižovanie Rizika".
- Pri prerezaní elektrických káblov hrozí nebezpečenstvo usmrtenia elektrickým prúdom. Produkt vždy držte za určené rukoväte. Nedotýkajte sa rezných ostrí ani kovových častí produktu.

OBMEDZENIE RIZIKA

Boli hlásené prípady, kedy vibrácie z ručných nástrojov u niektorých osôb prispeli k stavu nazývanému Raynaudov syndróm. K symptómom patria: trpnutie, znecitlivenie a blednutie prstov, zvyčajne zjavné po vystavení zime. Je známe, že k vývoju týchto symptómov prispievajú: dedičné faktory, vystavovanie zime a vlhkosti, diéta, fajčenie a pracovné návyky. Opatrenia, ktoré môže vykonať obsluhujúca osoba na možné zníženie účinkov vibrácií:

- V studenom počasí udržiavajte svoje telo v teple. Pri práci so zariadením noste rukavice, aby ste mali ruky a zápästia v teple. Boli hlásené prípady, kedy hlavným faktorom prispievajúcim k Raynaudovmu syndrómu bolo studené počasie.
- Po každom určitom časovom úseku prevádzky cvičte, aby ste zlepšili krvný obeh.
- Počas práce si doprajte časté prestávky. Obmedzte počet vystavení za deň.

Ak zistíte ktorýkoľvek zo symptómov tohto stavu, okamžite prerušte používanie zariadenia, navštívte svojho lekára a povedzte mu o symptómoch.

⚠ VARIOVANIE

Dlhodobé používanie nástroja môže spôsobiť alebo zhoršiť poranenia. Pri používaní nástroja príliš dlhé obdobia si vždy doprajte pravidelné prestávky.

OBOZNÁMTE SA S VAŠIM PRODUKTOM

Pozrite stranu 109.

1. Svorka čepele
2. Poistka upínača ostria / páčka uvoľnenia
3. Uvoľňovacie tlačidlo nastavenia uhla hlavy

4. Ostrie na zapichovacie rezy
5. Stierací nôž
6. Injektážny nôž
7. Ostrie na úrovňové rezy / kovové ostrie
8. Brúsna podložka
9. Pieskový papier
10. Kanál na prach
11. Hĺbkomer/výškomer
12. Adaptér */ **
13. Ovládanie rýchlosti
14. Hlavný spínač
15. Rúčka, izolovaný povrch na držanie

Strana R&F

Kompatibilné s predchádzajúcimi generáciami príslušenstva RYOBI, RIDGID a AEG. RYOBI je ochranná známka používaná na základe licencie od spoločnosti RYOBI Limited. RIDGID je ochranná známka spoločnosti Emerson Electric Co. AEG je registrovaná ochranná známka používaná na základe licencie od spoločnosti AB Electrolux (publ).

*Kompatibilný s príslušenstvom FEIN. FEIN je ochranná známka spoločnosti C. & E. Fein GmbH.

Strana D

**Kompatibilný s príslušenstvom DREMEL. DREMEL je ochranná známka spoločnosti Robert Bosch Tool Corporation.

PREVÁDZKA

Produkt sa dodáva s extra adaptérom na použitie s príslušenstvom na rezanie, stieranie a brúsenie iných značiek. Tento adaptér nepoužívajte s poslednou generáciou príslušenstva RYOBI dodávaného s nástrojom. Napríklad, ak chcete používať staršiu generáciu príslušenstva RYOBI, RIDGID alebo AEG, použite príslušenstvo s písmenami „R&F“ smerujúcimi von. Adaptér možno pretočiť a použiť s inými značkami príslušenstva.

- Obrobky zaistite svorkou, aby nedošlo k ich pohybu pri operáciách hĺbkového alebo rezania. Nikdy nekladte ruku na obrobok. Môže dôjsť k neúmyselnému zošmyknutiu a následne k závažnému osobnému poraneniu.
- Pri vykonávaní zapichovacieho rezu do mäkkých materiálov ako drevo alebo drevotrieska s použitím rezacieho príslušenstva postupne zavádzajte vibrujúce ostrie do obrobku. Netlačte príliš vibrujúce ostrie do materiálu, ktorý chcete rezať. Nechajte pracovať produkt a sústreďte sa na to, aby ste produkt a rezné ostrie udržiavali stabilne v polohe, v ktorej chcete vykonať rez.
- Pomocou hĺbkomeru/výškomeru nastavíte hĺbku rezu alebo zabránite zarezaniu príliš hlboko do materiálu.
- Pri rezaní do neželezných materiálov buďte veľmi opatrní. Vibrujúce rezné ostrie môže pred začatím rezu odskakovať nabok. V prípade potreby, ako pomôcku pre rezné ostrie, vyvŕtajte otvory pozdĺž línie, ktorú chcete rezať.
- Ak sa rezacie príslušenstvo zasekne v obrobku, vypnite produkt a odpojte ho z elektrickej siete. Ak rezacie príslušenstvo nemožno ľahko odstrániť, predtým, ako uvoľníte rezacie príslušenstvo z produktu, nechajte ho dostatočne vychladnúť. Pri odstraňovaní rezacieho

príslušenstva z obrobku používajte rukavice a použite ručný nástroj ako kliešte a francúzsky kľúč.

ÚDRŽBA

VAROVANIE

Tento produkt sa nikdy nesmie pripájať do elektrickej siete, keď montujete diely, čistíte ho alebo vykonávate údržbu, alebo keď produkt nepoužívate. Odpojením produktu zabránite náhodnému spusteniu, ktoré by mohlo spôsobiť závažné poranenie.

VAROVANIE

Pri servise používajte len originálne náhradné diely výrobcu. Použitie iných dielov môže predstavovať riziko alebo spôsobiť poškodenie produktu.

Aby nedošlo k ohrozeniu bezpečnosti, v prípade poškodenia musí napájací kábel vymeniť výrobca alebo autorizované servisné centrum. Obráťte sa na autorizované servisné centrum.

VAROVANIE

Na zaistenie bezpečnosti a spofahlivosti musí všetky opravy vykonávať **AUTORIZOVANÉ SERVISNÉ STREDISKO** alebo **KVALIFIKOVANÁ SERVISNÁ ORGANIZÁCIA**.

VŠEOBECNÉ

Vyhýbajte sa použitiu rozpúšťadiel pri čistení plastových častí. Veľšina plastických materiálov je občutlivá na različne vrste komercialno dostupnih topil in jih z njihovo uporabo lahko poškodujemo. Na odstránenie špiny, uhlíkového prachu a pod. použite čisté tkaniny.

VAROVANIE

Dbajte na to, aby do kontaktu s plastovými dielmi nikdy neprišli do kontaktu brzdové kvapaliny, benzín, ropné produkty, prenikavé oleje a pod. Chemikálie môžu poškodiť, oslabiť či zničiť plast.

Prach zo sadrokartónu a stenových dosiek je abrazívny a môže spôsobiť predčasnú poruchu produktu, pokiaľ prenikne do priestoru motora. Vždy používajte príslušenstvo na odsávanie prachu pripojené k vysávaču. Produkt po použití dôkladne vyčistíte pomocou kefky a vysávača. Dávajte pozor, aby ste nezatlačili nečistoty do vetracích otvorov. Na odstraňovanie prachu z produktu nepoužívajte stlačený vzduch. Nečistoty a drť odfukované stlačeným vzduchom môžu spôsobiť závažné poranenie zraku.

MAZANIE

Všetky ložiská v produkte sú namazané dostatočným množstvom mazivom vysokej akosti na celú životnosť produktu pri bežných prevádzkových podmienkach. Preto je potrebné žiadne ďalšie mazanie.

OCHRANA ŽIVOTNÉHO PROSTREDIA



Surové materiály recyklujte, nelikvidujte ich ako odpad. Produkt, príslušenstvo a obal je potrebné separovať a recyklovať spôsobom neškodným pre životné prostredie.

SYMBOLY NA PRODUKTE



Výstražná značka

V

Napätie

Hz

Hertz

~

Striedavý prúd

W

Watty

n°

Otáčky bez zaťaženia

min⁻¹

Počet otáčok za minútu



CE konformita



Euroázijská značka zhody



Ukrajinské označenie zhody

001



Zariadenie triedy II
Dvojité izolácia



Drvo –
Zapichovacie a úrovňové rezy



Neželezných kovov –
Zapichovacie a úrovňové rezy



Plast –
Zapichovacie a úrovňové rezy



Sadrokartón –
Zapichovacie a úrovňové rezy



Betón –
Odstraňovanie injektážnej malty z
obkladačiek



Odstraňovanie lepidla z obkladačiek



Pred spustením zariadenia si pozorne
prečítajte tento návod.



Používajte chrániče zraku, sluchu a
dýchacieho aparátu.



Opotrebované elektrické zariadenia by
ste nemali odhadzovať do domového
odpadu. Prosíme o recykláciu ak je možné.
Kontaktujte miestne úrady, alebo predajcu
pre viac informácií ohľadom ekologického
spracovania.

SYMBOLY V NÁVODE



Poznámka:



Pripojte do elektrickej siete.



Odpojte z elektrickej siete.



Diely alebo príslušenstvo predávané samostatne



Zamknuté



Odomknuté



Rýchlosť, min.



Rýchlosť, max.

Nasledujúce značky a významy vysvetľujú úroveň rizika spojeným s výrobkom.

NEBEZPEČENSTVO

Označuje bezprostredne nebezpečnú situáciu, ktorá, ak jej nepredídete, spôsobí usmrtenie alebo vážne poranenie.

VAROVANIE

Označuje potenciálne nebezpečnú situáciu, ktorá, ak jej nepredídete, môže spôsobiť usmrtenie alebo vážne poranenie.

UPOZORNENIE

Označuje potenciálne nebezpečnú situáciu, ktorá, ak jej nepredídete, môže spôsobiť menšie alebo stredne závažné poranenie.

UPOZORNENIE

(Bez výstražnej značky s výkričníkom) Označuje situáciu, ktorá môže zapríčiniť škody na majetku.



Безопасността, работните характеристики и надеждността са аспектите, на които е отделен най-голям приоритет при проектирането на вашия мулти-инструмент.

ПРЕДНАЗНАЧЕНИЕ

Мулти-инструментът е предназначен за използване само от възрастни, които са прочели и разбрали указанията и предупрежденията в настоящото ръководство и могат да се считат отговорни за действията си.

Изделието е предназначено да се използва:

- за шлифване и окончателно обработване на метал, дърво, пластмаси или подобни материали, чрез използване на шлифовъчна подложка с предоставените оформени шлифовъчни листове
- за шаброване и обработване чрез връзване в цветни метали, дърво, пластмаси, гипсокартон и т.н. с помощта на предоставените метални режещи остриета
- за рязане на отвори в стени за поставяне на електрически ключове или контакти
- за премахване на материал от фуги между керамични плочки

Изделието е предназначено за работа на закрито при сухи, добре осветени и съответно вентилирани условия.

Изделието не е предназначено да се използва върху влажни материали или повърхности.

Не използвайте продукта по начини, различни от посочените.

⚠ ПРЕДУПРЕЖДЕНИЕ

Прочетете всички предупреждения за безопасност инструкции, илюстрации и спецификации, предоставени с този електрически инструмент. Неспазването на всички инструкции, посочени по-долу, може да доведе до токов удар, пожар и/или сериозно нараняване.

Съхранявайте всички предупреждения и инструкции за бъдещи справки.

ПРЕДУПРЕЖДЕНИЯ ЗА БЕЗОПАСНОСТ ПРИ РАБОТА С МНОЖЕСТВО ИНСТРУМЕНТИ

- Дръжте електрическия инструмент само за изолираните повърхности за хващане. Принадлежността за рязане може да влезе в контакт със скрити проводници или със собствения си кабел. Режещ аксесоар, който влезе в контакт с проводник, по който тече ток, може да доведе до протичането на ток по неизолираните метални части на електрическия инструмент и да причини токов удар на оператора.
- Винаги носете предпазни очила при използването на машината. Носете противопрахова маска, когато се образува прах.

- Продуктът ще се рестартира автоматично, ако блокира.

⚠ ПРЕДУПРЕЖДЕНИЕ

Прахът от определени бои, покрития и материали може да причини дразнене или алергични реакции. Прахът от дървесина, напр. дъб, бук, MDF и др., е канцероген. Само на квалифицирани специалисти трябва да бъде разрешено да използват изделия от материали, съдържащи азбест.

⚠ ПРЕДУПРЕЖДЕНИЕ

Продуктът не трябва никога да се включва в захранване, когато сглобявате части, правите настройки, почиствате, извършвате поддръжка или когато не го използвате. Изключването на продукта от захранването ще предотврати случайно стартиране, което би могло да причини сериозни наранявания.

- Дръжте захранващия кабел извън работния обхват на машината. Винаги дръжте кабела зад себе си.
- Когато работите в стени, тавани или подове, избягвайте засягането на електрически кабели, газови и водни тръби.

⚠ ПРЕДУПРЕЖДЕНИЕ

Металните принадлежности ще се нагорещат по време на използване, което може да доведе до изгаряния по кожата, ако бъдат докоснати от оператора. Носете ръкавици, когато сменяте принадлежностите. Внимавайте, когато оставяте инструмента на пода между операциите, за да предотвратите повреда или нараняване.

- Не използвайте принадлежности за рязане, които са повредени, напукани или не пасват плътно към изделието.
- Когато е възможно, монтирайте предоставения аксесоар за събиране на прах и го свържете към вакуумно устройство за премахване на прах от работната област и предотвратяване на потенциално респираторно дразнене и увреждане на инструмента.
- Изделието създава вибрации, които движат принадлежността. Възможно е вибрациите да причинят дискомфорт, ако изделието се експлоатира в продължение на дълги периоди от време. Често си правете почивки, особено ако почувствате дискомфорт в ръката, китката или пръстите. Изберете настройка на скоростта, чрез която ефективно ще свършите работата. Прочетете разделите Остатъчните рискове и Намаляване на риска за повече информация относно наранявания, свързани с вибрации.

EN
FR
DE
ES
IT
NL
PT
DA
SV
FI
NO
RU
PL
CS
HU
RO
LV
LT
ET
HR
SL
SK
BG
UK
TR
EL





ДОПЪЛНИТЕЛНИ ПРЕДУПРЕЖДЕНИЯ ЗА БЕЗОПАСНОСТ

- Изключете устройството незабавно, ако монтажният инструмент блокира! Не включвайте устройството отново, докато монтажният инструмент е блокиран, тъй като това може да предизвика внезапен откат с голяма реактивна сила. Определете причината за блокиране на монтажния инструмент и я отстранете, като се съобразите с инструкциите за безопасност.
 - Възможните причини могат да бъдат:
 - наклонен е в работния детайл, който ще се обработва;
 - пробил е през материала, който ще се обработва;
 - електрическият инструмент е претоварен.

НЕПРЕДВИДЕНИ РИСКОВЕ

Дори когато продуктът се използва по предназначение, е невъзможно напълно да се ограничи влиянието на определени рискови фактори. Могат да възникнат следните опасности и операторът трябва да обърне особено внимание, за да ги избегне:

- Наранявания, причинени от прах
 - При използване на изделието ще се създава много прах и фини прахови частици. Използвайте устройството за събиране на прах или свържете смукателно устройство за извличане на прах, когато работите с продукта.
 - По всяко време носете защитни средства за очите.
 - Носете маски за защита на дихателните пътища, които съдържат филтри, подходящи за материалите, които ще бъдат обработвани. Осигурете подходяща вентилация на работното място.
 - Не употребявайте храни, напитки или цигари в зоната на работа.
- Наранявания, причинени от шум и вибрации
 - Носете антифони
 - Не работете с продукта за продължителни периоди от време. Вижте „Намаляване на риска“.
- Съществува риск от токов удар, ако бъдат срязани електрически кабели
 - Винаги дръжте изделието за определените дръжки. Не докосвайте режещите остриета и металните части на изделието.

НАМАЛЯВАНЕ НА РИСКА

Известно е, че вибрациите, произвеждани от ръчни инструменти може да предизвикат у някои индивиди заболяване, наречено Синдром на Рейнолд (Raynaud's Syndrome). Симптомите може да включват изтръпване, схващане и избледняване на пръстите, обикновено се забелязват при излагане на студ. Смята се, че наследствените фактори, излагането на студ и влага, диетите, пушенето и някои работни навици допринасят за развитието на тези симптоми. Могат да се вземат някои мерки, които могат да се предприемат от

оператора, за да се намалят ефектите от вибрациите:

- Поддържайте телесната температура в студено време. Когато работите с продукта, носете ръкавици, за да поддържате ръцете и китките си топли. Според изследванията главният фактор, допринасящ за развитието на Raynaud's Syndrome, е студено време.
- Правете упражнения за активизиране на кръвообращението след всеки работен цикъл.
- Редовно излизайте в почивка. Ограничете излагането на вибрации на ден.

При поява на някои от симптомите на това заболяване, незабавно прекратете употребата на инструмента и посетете лекар.

⚠ ПРЕДУПРЕЖДЕНИЕ

Продължителното използване на инструмента може да доведе до наранявания или влошаване. При използване на инструмента за продължителни периоди от време правете чести почивки.

ОПОЗНАЙТЕ ВАШИЯ ПРОДУКТ

Вж. страница 109.

1. Скоба на острието
2. Лост за заключване/освобождение на острието
3. Бутон за освобождаване на регулирането на ъгъла на главата
4. Острие за обработване чрез връзване
5. Шабър
6. Острие за премахване на материал от фуги
7. Острие за рязане наравно/метално острие
8. Шлифовъчна подложка
9. Шкурка
10. Отвор за прах
11. Индикатор за дълбочина/височина
12. Адаптер */ **
13. Управление на скоростта
14. Превключвател ПУСКАНЕ/СПИРАНЕ
15. Ръкохватка, изолирана повърхност за захващане

R&F страна

Съвместимо с по-стари поколения принадлежности за RYOBI, RIDGID или AEG. RYOBI е търговска марка, използвана под лиценз от RYOBI Limited. RIDGID е търговска марка на Emerson Electric Co.

AEG е търговска марка, използвана под лиценз от AB Electrolux (publ). FEIN е регистрирана търговска марка на C. & E. Fein GmbH.

D страна

**Съвместимо с аксесоари от DREMEL. DREMEL е търговска марка Robert Bosch Tool Corporation.

РАБОТА

Изделието се доставя с допълнителен адаптер за използване с други марки принадлежности за рязане, шаброване и шлифване. Не използвайте адаптера с най-новото поколение принадлежности на RYOBI, доставяни с вашия инструмент. Например, използвайте адаптера с буквите „R&F“, обърнати навън, ако





желаете да използвате принадлежности на RYOBI, RIDGID или AEG от по-старо поколение. Адаптерът може да бъде преобърнат за използване с други марки принадлежности.

- Закрепете със скоба детайли, които могат да се движат, за да избегнете движение по време на дейности по шлифоването или рязане. Не дръжте детайла с ръка. Едно невнимателно приплъзване при експлоатация на изделието може да причини тежка телесна повреда.
- При обработване чрез връзване в меки материали, като например дърво или гипскартон с помощта на приспособлението за рязане, постепенно подавайте вибриращото острие към детайла. Не натискайте силно вибриращото острие в материала, който трябва да бъде отрязан. Оставете изделието да свърши работата и се концентрирайте върху това да поддържате изделието и принадлежността за рязане стабилно в позицията, в която искате да направите среза.
- Използвайте дълбокомера/високомера, за да настроите дълбочината на рязане или да предотвратите твърде дълбоко рязане в материала.
- Внимавайте много при рязане на цветни метали. Вибриращият режещ аксесоар може да се плъзне преди започване на рязането. Ако е необходимо, пробийте няколко отвора по линията на желаните срез, преди да започнете да режете.
- Ако принадлежностите за рязане се заклинят в детайла, изключете изделието и го разединете от електрическото захранване. Ако принадлежността за рязане не може да бъде отстранена лесно, я оставете да се охлади добре, преди да я освободите от изделието. Носете ръкавици и използвайте ръчни инструменти като клещи или гаечен ключ, за да извадите принадлежността за рязане от детайла.

ПОДДРЪЖКА

⚠ ПРЕДУПРЕЖДЕНИЕ

Продуктът не трябва никога да се включва в захранване, когато сглобявате части, правите настройки, почиствате, извършвате поддръжка или когато не го използвате. Изключването на продукта от захранването ще предотврати случайно стартиране, което би могло да причини сериозни наранявания.

⚠ ПРЕДУПРЕЖДЕНИЕ

При извършване на сервизни дейности използвайте само оригинални резервни части от производителя. Използването на други части може да ви постави в опасност или да повреди продукта.

Ако захранващият кабел е повреден, той трябва да се смени от производителя или от оторизиран сервиз, за да се избегнат рискове. Свържете се с упълномощен сервизен център.

⚠ ПРЕДУПРЕЖДЕНИЕ

За по-голяма безопасност и надеждност всички ремонти трябва да се извършват от оторизиран сервиз на RYOBI.

ОБЩА ИНФОРМАЦИЯ

Избягвайте използването на разтворители при почистването на пластмасовите части. Повечето пластмаси са чувствителни към различни видове разтворители и може да се повредят при използването на такива. Използвайте меки кърпи за отстраняване на замърсявания, въглероден прах и др.

⚠ ПРЕДУПРЕЖДЕНИЕ

В никакъв случай не позволявайте пластмасовите части да влизат в контакт със спирални течности, нефтени продукти, проникващи масла и т.н. Те съдържат химически вещества, които могат да повредят, отслабят или разрушат пластмасата.

Прахът от мазилка и стенна замазка е абразивен и може да предизвика преждевременна повреда на изделието, ако навлезе в зоната на електродвигателя. Винаги използвайте принадлежност за екстракция на прах, свързана към вакуум. След използване старателно почиствайте изделието с помощта на четка и вакуум. Внимавайте да не вкарате мръсотия във вентилационните отвори. Избягвайте използването на състен въздух за почистване на изделието, защото прах и пясъчинки могат да предизвикат сериозни очни наранявания.

СМАЗВАНЕ

Всички лагери в този продукт за смазани с достатъчно количество висококачествено масло, което трябва да стигне за целия експлоатационен живот на инструмента при нормални работни условия. Затова не е необходимо допълнително смазване.

ОПАЗВАНЕ НА ОКОЛНАТА СРЕДА



Рециклиране на суровини, вместо за обезвреждане като отпадък. Машината, допълнителните приспособления и опаковките трябва да бъдат подложени на подходяща преработка за оползотворяване на съдържащите се в тях вторични суровини.

СИМВОЛИ НА ПРОДУКТА



Предупреждение относно безопасността



Напрежение



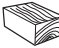














Херц



Променлив ток



- W** Ватове
- n°** Скорост на празен ход
- min⁻¹** Обороти или възвратно-постъпателни движения в минута
- CE** ЕС Съответствие
- EAC** EurAsian знак за съответствие
-  Украински знак за съответствие
-  Оборудване от клас II
Двойна изолация
-  Дърво - срезове чрез врязване и наравно
-  Цветен метал - срезове чрез врязване и наравно
-  Пластмаса - срезове чрез врязване и наравно
-  Гипсокартон - срезове чрез врязване и наравно
-  Бетон - Инструмент за премахване на фугираща смес
-  Инструмент за премахване на лепило за плочки
-  Прочетете инструкциите внимателно, преди да стартирате машината.
-  Носете очила, антифони и маска за дихателна защита.
-  Електрическите уреди не трябва да се изхвърлят заедно с битовите отпадъци. Рециклирайте, където има възможност. Обърнете се за съвет по рециклирането към местните власти или разпространителите.

-  Ключалка
-  Отключване
-  Скорост, минимална
-  Скорост, максимална

Следните сигнални думи и техните съответни значения обясняват нивата на опасност, свързани с употребата на този продукт:

ОПАСНОСТ

Указва неминуемо опасна ситуация, която ако не бъде избегната, ще доведе до сериозни наранявания или смърт.

ПРЕДУПРЕЖДЕНИЕ

Указва потенциално опасна ситуация, която ако не бъде избегната, може да доведе до сериозни наранявания или смърт.





ВНИМАНИЕ

Указва потенциално опасна ситуация, която ако не бъде избегната, може да доведе до дребни или средни наранявания.

ВНИМАНИЕ

(Без предупредителен символ за безопасност) Указва ситуация, която може да доведе до имуществени щети.

СИМВОЛИ В НАСТОЯЩОТО РЪКОВОДСТВО

-  Забележка
-  Включете в захранването.
-  Изключете от електрическото захранване.
-  Частите или принадлежностите се продават отделно

Безпеці, продуктивності і надійності наданий вищий пріоритет в дизайні вашого мультіінструменту.

ПРИЗНАЧЕННЯ

Цей мультіінструмент призначений для використання тільки дорослими, які читали і зрозуміли інструкції та попередження в цьому посібнику і можуть вважатися відповідальними за свої дії.

Мультіінструмент призначений для використання:

- для шліфування та полірування металу, дерева, пластика, або подібних матеріалів, використовуючи шліфувальну насадку з наданими профільованими абразивними листами
- для вискоблювання і врізання в кольорові метали, дерево, пластик, гіпсокартон і т.д., використовуючи надані металеві ріжучі леза
- для вирізання отворів у стінах для розміщення перемикачів або розеток
- для видалення затірки між керамічною плиткою

Мультіінструмент призначений для роботи в закритому приміщенні у сухих, добре освітлених і адекватно вентильованих умовах.

Продукт не призначений для використання на вологих матеріалах та / або поверхнях.

Для додання та свердлення кам'яної кладки, може бути використаний режим молотка.

⚠ ПОПЕРЕДЖЕННЯ

Прочитайте всі правила безпеки, інструкції, ілюстрації і специфікації, що поставляються з електроінструментом. Недотримання наведених нижче вказівок може призвести до ураження електричним струмом, пожежі та / або серйозних травм.

Збережіть всі інструкції і вказівки для майбутнього використання.

ПОПЕРЕДЖЕННЯ З БЕЗПЕКИ МУЛЬТІІНСТРУМЕНТА

- Тримайте продукт тільки за ізольовані поверхні. Ріжуче приладдя може торкнутися прихованої проводки або власного шнура. Ріжучі приладдя при контакті з проводом під напругою можуть зробити незахищені металеві частини електроінструменту під напругою і можуть вдарити оператора електричним струмом.
- Завжди надягайте захисні окуляри при роботі з інструментом. Носіть маску від пилу, коли пил утворюється.
- Пристрій автоматично перезапускається, якщо він глухне.

⚠ ПОПЕРЕДЖЕННЯ

Пил від деяких фарб, покриттів і інших матеріалів може викликати роздратування або алергічні реакції. Пил від дерев, таких як дуб, бук, МДФ та інших подібних матеріалів може бути канцерогенним. Робота з участю матеріалів, що містять азбест повинна проводитися тільки кваліфікованими операторами-фахівцями.

⚠ ПОПЕРЕДЖЕННЯ

Продукт не повинен бути підключений до джерела живлення при складанні деталей, регулюванні, чищенні, проведенні технічного обслуговування або коли продукт не використовується. Відключення продукту буде запобігати випадковому запуску, який може призвести до серйозних травм.

- Тримайте мережевий шнур подалі від робочого діапазону машини. Завжди тримайте кабель позаду вас.
- При роботі на стінах, стелі, або підлозі, дбайте про уникнення електричних кабелів і газових або водопровідних труб.

⚠ ПОПЕРЕДЖЕННЯ

Металеве приладдя буде нагріватися під час використання і може привести до опіків шкіри при контакті з оператором. Одягайте рукавички при зміні приладдя. Будьте обережні, налагоджуючи інструмент між операціями, щоб запобігти отриманню пошкодження або травми.

- Не використовуйте ріжуче приладдя, яке пошкоджене, потріскане або не пристосовується надійно до продукту.
- Всякий раз, коли це можливо, прикріплюйте надане приладдя для збору пилу і підключіть його до вакуумного пристрою для видалення пилу з робочої зони, це допоможе запобігти потенційному подразненню дихальних шляхів і пошкодженню інструменту.
- Продукт надмірно вібрує під час використання і може викликати дискомфорт, якщо працювати протягом тривалого періоду часу. Щоб полегшити дискомфорт і уникнути травм, робіть перерви в роботі. Виберіть настройку швидкості, що буде ефективно виконувати роботу. Читайте розділи "Залишкові ризики" та "Зниження ризику" для отримання більш докладної інформації про травми, пов'язані з вібрацією.

ДОДАТКОВІ ЗАХОДИ БЕЗПЕКИ.

- Негайно вимкнути прилад, якщо застопорилося устаткування для монтажу компонентів! Не вмикайте пристрій знову, поки устаткування для монтажу компонентів нерухоме, оскільки це може викликати раптовий відкат з високою реактивною силою. Визначте, чому устаткування для монтажу

компонентів застопорилось і виправте це, звертаючи увагу на інструкції з безпеки.

- Можливі такі випадки:
 - він нахилений у оброблювану деталь
 - він пробив матеріал для обробки
 - пристрій перевантажений

ЗАЛИШКОВІ РИЗИКИ

Навіть коли продукт використовується як написано, залишається неможливим повністю усунути деякі залишкові чинники ризику. Наступні небезпеки можуть виникнути і оператор повинен звернути особливу увагу, щоб уникнути наступного:

- Травми, викликані пилом.
 - Використання виробу буде спричиняти значний пил та маленькі частинки. Використовуйте пристрій для збору пилу або підключіть пиловидаляючий вакуумний прилад при роботі з продуктом.
 - Увесь час носить захист для очей.
 - Носіть респіраторні захисні маски, що містять фільтри, відповідні до оброблюваних матеріалів. Забезпечте достатню вентиляцію на робочому місці.
 - Не їжте, не пийте і не паліть в робочій зоні.
- пошкодження, викликані шумом і вібрацією
 - Носіть захист слуху
 - Не використовуйте продукт протягом тривалого періоду часу. Дивіться "ЗНИЖЕННЯ РИЗИКУ".
- Небезпека ураження електрострумом при розрізанні електричних кабелів.
Завжди тримайте виріб за позначені ручки. Не торкайтеся леза або металевих частин продукту.

ЗНИЖЕННЯ РИЗИКУ

Повідомлялося, що вібрації від ручних інструментів у певних осіб можуть сприяти стану, який називається синдромом Рейно. Симптоми можуть включати поколювання, оніміння і збліднення пальців, як правило, очевидні при впливі холоду. Спадкові фактори, вплив холоду і вогкості, дієта, куріння і робоча практика, всі ці чинники роблять свій внесок у розвиток цих симптомів. Ці заходи можуть бути прийняті оператором, щоб можливо зменшити вплив вібрації:

- Тримайте тіло в теплі в холодну погоду . При експлуатації приладу, одягайте рукавички, щоб тримати руки і зап'ястя у теплі. Повідомлялося, що холодна погода є основним чинником, що сприяє синдрому Рейно.
- Після кожного періоду роботи, здійснійте вправи для підвищення кровообігу.
- Робіть часті перерви в роботі. Зробіть обмеження кількості впливу на день.

Якщо ви відчуваєте будь-які з симптомів цього стану, негайно припиніть використання і зверніться до лікаря з ціми симптомами.

⚠ ПОПЕРЕДЖЕННЯ

Тривале використання інструменту може викликати або посилити травми. При використанні інструменту протягом тривалого періоду, робіть регулярні перерви.

ЗНАЙТЕ СВІЙ ПРОДУКТ

Стор 109.

1. Зажим леза.
2. Важіль блокування / розблокування леза.
3. Кнопка звільнення для регулювання кута голівки.
4. Полотно для врізання
5. лезо скребка
6. Полотно для затирання.
7. Полотно для ровного зрізу / металеве лезо.
8. Шліфувальна насадка
9. Наждачний папір
10. Отвір для пилу
11. Датчик висоти / глибини
12. Адаптер */ **
13. Контроль швидкості
14. Включення / вимкання
15. Ручка, ізольована поверхня для утримання

R&F бік

Сумісність з попередніми поколіннями аксесуарів RYOBI, RIDGID або AEG. RYOBI є зареєстрованою торговою маркою, яка використовується за ліцензією RYOBI Limited. RIDGID є торговою маркою Emerson Electric Co. AEG є зареєстрованою торговою маркою, яка використовується за ліцензією AB Electrolux (публ).

*Сумісний із FEIN аксесуарами. FEIN є торговою маркою C. & E. Fein GmbH.

D бік

**Сумісний із DREMEL аксесуарами. DREMEL є торговою маркою Robert Bosch Tool Corporation.

ФУНКЦІОНУВАННЯ

Продукт поставляється з додатковим адаптером для використання з іншими брендами приладдя для різання, вискоблювання, і шліфування. Не використовуйте адаптер з останнім поколінням приладдя RYOBI, що поставляється з інструментом. Наприклад, можна використовувати адаптер з літерами "R&F" назовні, якщо ви хочете використовувати раніше покоління приладдя RYOBI, RIDGID або AEG. Адаптер можна перевернути для використання з іншими брендами приладдя.

- Зафіксуйте заготовки затискачем, щоб запобігти руху під час шліфування або різання. Не тримайте заготовку вручну. Випадкове ковзання під час роботи з виробом може призвести до серйозних травм.
- Під час врізання у м'які матеріали, такі як дерево і гіпсокартон, використовуючи ріжучий інструмент, поступово підносьте віброуче лезо до заготівлі. Не штовхайте сильно віброуче лезо в оброблюваний матеріал. Нехай продукт зробить роботу і зосередиться на збереженні продукту і леза

стабільними в позиції, де ви хочете зробити розріз.

- Використовуйте датчик глибини / висоти, щоб встановити глибину врізу, або запобігти врізанню занадто глибоко в матеріал.
- Будьте особливо обережні при різанні кольорових металів. Вібруюче ріжуче лезо може прокрутитися навколо, перш ніж почати різати. При необхідності просвердліть кілька отворів уздовж лінії, яку ви хочете вирізати, щоб допомогти лезу.
- Якщо ріжуче приладдя застрягло у заготівлі, вимкніть виріб і від'єднайте від джерела живлення. Якщо ріжуче приладдя не може бути легко видалено, дозвольте ріжучому приладдю адекватно охолонути перед видаленням ріжучого інструменту з продукту. Одягайте рукавички і використовуйте ручні інструменти, такі як кліщі і гайковий ключ, щоб видалити ріжуче приладдя з заготовки.

ОБСЛУГОВУВАННЯ

⚠ ПОПЕРЕДЖЕННЯ

Продукт не повинен бути підключений до джерела живлення при складанні деталей, регулюванні, чищенні, проведенні технічного обслуговування або коли продукт не використовується. Відключення продукту буде запобігати випадковому запуску, який може призвести до серйозних травм.

⚠ ПОПЕРЕДЖЕННЯ

При обслуговуванні використовуйте тільки оригінальні запасні частини виробника. Використання будь-яких інших деталей може створити небезпеку або спричинити пошкодження продукту.

Якщо шнур живлення пошкоджений, він повинен бути замінений тільки виробником або в авторизованому сервісному центрі, щоб уникнути небезпеки. Зв'яжіться з авторизованим сервісним центром.

⚠ ПОПЕРЕДЖЕННЯ

Для більшої безпеки і надійності, всі ремонтні роботи повинні виконуватися уповноваженим RYOBI сервісним центром.

ЗАГАЛЬНІ

Не використовуйте розчинники для очищення пластмасових деталей. Більшість пластмас вразлива до різних видів комерційних розчинників і може бути пошкоджена їх використанням. Використовуйте чисті ганчірки для видалення бруду і вугільного пилу.

⚠ ПОПЕРЕДЖЕННЯ

Ніколи не дозволяйте гальмівній рідині, бензину, продуктам на основі нафти, і проникаючим маслам вступати в контакт з пластиковими деталями. Вони містять хімічні речовини, які можуть зашкодити, послабити або знищити пластик.

Пил від штукатурки і стінної дошки абразивний і може призвести до передчасного виходу виробу з ладу, якщо дозволити його попадання в зону двигуна. Завжди використовуйте підключене до пиლოსосу пиловидалюєче приладдя. Ретельно очистіть продукт після використання за допомогою щітки і пиლოსосу. Дбайте, щоб не вштовхнути бруд у вентиляційні отвори. Будьте обережні, використовуючи стиснене повітря для очистки продукту, тому що пил і пісок можуть призвести до серйозних травм очей.

ЗМАЩУВАННЯ

Всі підшипники в продукті змащені достатньою кількістю високоякісного мастила для всього терміну служби продукту при нормальних умовах експлуатації. Таким чином, додаткове змащення не потрібно.

ЗАХИСТ НАВКОЛИШНЬОГО СЕРЕДОВИЩА



Переробляйте сировину замість утилізації в якості відходів. Машини, обладнання та упаковка повинні бути відсортовані для дружньої дії навколишнього середовища утилізації.

СИМВОЛИ НА ПРОДУКТІ



Попередження безпеки

V

Вольти

Hz

Герц

~

Змінний струм

W

Ватти

n°

Швидкість без навантаження

min⁻¹

Оберти або зворотно-поступальні рухи у хвилину

CE

CE відповідність

EAC

Євразійський знак відповідності



Український знак відповідності

001



Інструмент II класу
подвійна ізоляція



Дерево –
Врізання та прямий зріз



Кольорові метали –
Врізання та прямий зріз



Пластик –
Врізання та прямий зріз



Гіпсокартон –
Врізання та прямий зріз



Бетон –
Видалення затірки плитки.



Видалення клею для плитки.



Будь ласка, уважно прочитайте інструкцію
перед запуском продукту.



Носіть засоби захисту очей, слуху та
органів дихання.



Відходи електротехнічної продукції не слід
викидати разом із побутовими відходами.
Будь ласка, переробляйте там, де наявне
устаткування. Перевірте з вашим місцевим
органом влади або продавцем для
консультацій з приводу переробки.

СИМВОЛИ



Примітка



Підключіть до джерела живлення.



Відключіть від джерела живлення.



Запчастини та аксесуари для
продається окремо



Блокувати



Розблокувати



Швидкість, мінімальна



Швидкість, максимальна

Наступні сигнальні слова і змісти призначені для
пояснення рівнів ризику, пов'язаних з продуктом.

НЕБЕЗПЕКА

Вказує на неминуче небезпечну ситуацію, яка, якщо її
не уникнути, може призвести до смерті або серйозних
травм.

Bu çok amaçlı alet tasarlanırken temel öncelik güvenlik, performans ve güvenilirlik özelliklerine verilmiştir.

KULLANIM AMACI

Bu çok amaçlı aletin sadece, bu kılavuzdaki talimatları ve uyarıları okumuş ve anlamış ve eylemlerinden sorumlu tutulabilecek yetişkinler tarafından kullanılmasa amaçlanmaktadır.

Çok amaçlı aletin kullanım amacı:

- Ürünle birlikte verilen şekilli zımpara kağıtlarıyla birlikte zımpara diskini kullanarak metal, ahşap, plastik veya benzer malzemeleri zımparalama ve perdahlama
- Ürünle birlikte verilen metal kesim bıçaklarını kullanarak demir olmayan metal, ahşap, plastik, alçı panel vb. kazıma ve daldırma kesim
- Anahtarları ve elektrik prizlerini yerleştirmek için duvarlarda delik açma
- Seramik fayanslar arasındaki derzleri çıkarma

Çok amaçlı alet, kuru, iyi aydınlatmalı ve uygun şekilde havalandırılan iç mekanda kullanıma yöneliktir.

Ürün, ıslak materyaller ve yüzeyler üzerinde kullanılmak üzere üretilmemiştir.

Bu ürünü belirtilen kullanım amacı dışında herhangi bir amaçla kullanmayın.

UYARI

Bu aletle birlikte verilen tüm uyarı, talimat ve özellikleri dikkatlice okuyunuz ve resimli açıklamalara bakınız. Aşağıda sıralanan bütün talimatlara uymamak elektrik çarpmasına, yangına ve/veya ciddi yaralanmalara neden olabilir.

Bu uyarıları ve talimatları daha sonra bakabilmek için saklayın.

ÇOK AMAÇLI ALET GÜVENLİK UYARILARI

- Elektrikli aletleri her zaman yalnızca yalıtımlı kavrama yüzeylerinden tutun. Kesme aksesuarı gizlenmiş kablolarla veya kendi kablosuna temas edebilir. Kesici aksesuarın elektrik geçen kabloyla temas etmesi, elektrikli aletin metal parçalarının elektrikle yüklenmesine ve kullanıcının elektrikle çarpılmasına neden olabilir.
- Aleti kullanırken her zaman güvenlik gözlükleri takın. Toz çıktığında bir toz maskesi takın.
- Ürün stop ettiğinde, otomatik olarak yeniden çalışır.

UYARI

Belirli boyalardan, kaplamalardan veya materyallerden kaynaklanan toz solunum sisteminde tahrişe veya alerjik reaksiyona neden olabilir. Meşe, kayın, MDF ve diğer ağaçlar gibi ahşaptan kaynaklanan toz kanserojendir. Ürün, asbest içeren materyaller üzerinde sadece kalifiye uzmanlar tarafından kullanılmalıdır.

UYARI

Parçaları monte ederken, ayar, temizlik, bakım çalışması yaparken veya ürün kullanılmadığı zaman ürünü asla güç kaynağına bağlamayın. Ürünün bağlantısının kesilmesi ciddi yaralanmalara neden olabilecek kazara çalışmayı önleyecektir.

- Elektrik kablosunu makinenin çalışma alanından uzak tutun. Kabloyu daima arkanızda tutun.
- Duvar, tavan veya zemin üzerinde çalışırken elektrik kablolarından ve gaz veya su borularından uzak durmaya dikkat edin.

UYARI

Metal aksesuarlar kullanım sırasında ısınır ve operatörün temas etmesi durumunda cilt yanıklarına neden olabilir. Aksesuarları değiştirirken eldiven giyin. Hasarı veya yaralanmayı önlemek için çalışmalar arasında yere koyarken dikkat edin.

- Hasarlı, çatlak veya ürüne sıkıca oturmeyen kesme aksesuarlarını kullanmayın.
- Mümkün olduğu durumlarda ürünle birlikte sağlanan toz toplama aksesuarını takın ve çalışma yerindeki tozu gidermek ve potansiyel solunum yolu tahrişini ve aletin hasar görmesini önlemeye yardımcı olmak için bir elektrikli süpürgeye bağlayın.
- Kullanım sırasında ürün aşırı şekilde titer ve uzun süre kullanılırsa rahatsızlığa neden olabilir. Rahatsızlığı azaltmak ve yaralanmaları önlemek için çalışma sırasında sık sık mola verin. Çalışmadan tam verim alacağınız bir hız ayarı seçin. Titreşim kaynaklı yaralanmalar hakkında daha fazla bilgi için Artık Riskler ve Risk Azaltma kısımlarını okuyun.

İLAVE GÜVENLİK UYARILARI

- Yerleştirme aleti sıkıysa cihazı hemen durdurun. Yerleştirme aleti hala sıkışmış haldeyken cihazı yeniden çalıştırmayın, böylesi bir davranış çok güçlü bir geri tepmeye yol açabilir. Güvenlik talimatlarını göz önünden uzaklaştırmadan, yerleştirme aletinin neden stop ettiğini belirleyin.
 - Muhtemel kullanım alanları:
 - Üzerinde çalışılan materyalin içinde eğilmiş.
 - Üzerinde çalışılan materyali delmiş
 - Ürün aşırı yüklenmiş

ARDIL RİSKLER

Ürün belirtildiği şekilde kullanıldığı zaman bile belirli artık risk faktörlerinin tamamen ortadan kaldırılması mümkün değildir. Kullanım sırasında aşağıdaki tehlikeler ortaya çıkabilir ve operatör bunlardan kaçınmak için özellikle dikkat etmelidir:

- Toz kaynaklı yaralanmalar
 - Ürün kullanırken önemli miktarda toz ve ince parçacık üretilir. Ürünü işletime alırken toz toplama makinesi kullanın ya da toz vakumu bağlayın.
 - Her zaman göz koruyucu takın.

- İşlenecek materyallere uygun filtreler içeren solunum koruma maskeleri takın Çalışma yerinin uygun şekilde havalandırıldığından emin olun.
- Çalışma alanı içinde bir şey yemeyin, içmeyin veya sigara içmeyin.
- Titreşim ve sestən meydana gelen yaralanma
 - Koruyucu kulaklık kullanın
 - Ürünü uzun süre kullanmayın. Bkz. "Risk Azaltma".
- Elektrik kabloları kesildiğinde elektrik çarpması riski oluşur
Ürünü her zaman gösterilen saplarından tutun. Kesme bıçaklarına veya ürünün metal kısımlarına dokunmayın.

RİSK AZALTMA

El aletlerinden gelen titreşimlerin bazı kişilerde Raynaud Sendromu denen bir duruma neden olabileceği bildirilmiştir. Karıncalanma, hissizlik ve parmakların sararması gibi genelde soğuğa maruz kaldıktan sonra görülen semptomlar oluşabilir. Kalıtsal faktörler, soğuğa ve neme maruz kalmak, diyet, sigara ve çalışma pratikleri de bu semptomların oluşmasına neden olabilecek etkenler olarak kabul edilmektedir. Titreşimin etkilerini azaltmak için operatör tarafından alınabilecek önlemler bulunmaktadır:

- Soğuk havalandırma vücudunuzu sıcak tutun. Ürünü çalıştırırken ellerinizi ve bileklerinizi sıcak tutmak için eldiven takın. Soğuk havanın Raynaud Sendromunun ana tetikleyicilerinden olduğu bildirilmiştir.
- Her operasyon sürecinden sonra kan dolaşımını arttırmak için egzersiz yapın.
- Sık sık işe ara verin. Günlük maruziyet miktarını sınırlandırın.

Bu rahatsızlığın semptomlarından herhangi birini görürseniz, aleti kullanmayı derhal bırakın ve bir doktora görünün.

⚠ UYARI

Bir aletin uzun süre kullanılması nedeniyle yaralanmalar olabilir veya mevcut yaraların durumu kötüleşebilir. Herhangi bir aleti uzun bir süre boyunca kullanırken düzenli olarak ara vermeyi ihmal etmeyin.

ÜRÜNÜNÜZÜ TANIYIN

Sayfa 109'ya bakın.

1. Bıçak kelepçesi
2. Bıçak kilitleme / serbest bırakma kolu
3. Baş açma ayarı serbest bırakma düğmesi
4. Saplamalı Kesme Bıçağı
5. Kazıyıcı Bıçağı
6. Derz bıçağı
7. Düzleme kesim bıçağı / metal bıçağı
8. Paten
9. Zımpara kağıdı
10. Emme borusu
11. Derinlik/yükseklik ayarı
12. Adaptör * / **
13. Hız kontrolü
14. Açma/kapama anahtarı
15. Tutamak, yalıtılmış kavrama yüzeyi

R&F yüzü

Daha önceki RYOBI, RIDGID veya AEG aksesuar modelleriyle uyumlu. RYOBI, RYOBI Limited lisansı altında kullanılan bir ticari markadır. RIDGID, Emerson Electric Co şirketinin bir ticari markasıdır. AEG, AB Electrolux (publ), lisansı altında kullanılan bir ticari markadır.

*FEIN aksesuarlarıyla uyumlu. FEIN, C. & E. Fein GmbH şirketinin bir ticari markasıdır.

D yüzü

**DREMEL aksesuarlarıyla uyumlu. DREMEL, Robert Bosch Tool Corporation şirketinin bir ticari markasıdır.

ÇALIŞTIRMA

Ürün, diğer kesme, kazıma ve zımparalama aksesuarı markalarıyla birlikte kullanılmak üzere ilave bir adaptörle birlikte sağlanır. Adaptörü aletinizle birlikte sağlanan en yeni nesil RYOBI aksesuarlarıyla birlikte kullanmayın. Örneğin daha eski nesil RYOBI, RIDGID veya AEG aksesuarlarını kullanmak istiyorsanız adaptörü "R&F" harfleri dışarıya doğru bakacak şekilde kullanın. Adaptör, diğer aksesuar markalarıyla kullanılmak üzere değiştirilebilir.

- Zımparalama veya kesme çalışmaları sırasında hareket etmelerini önlemek için iş parçalarını bir kelepçe yardımıyla sabitleyin. Mazemeyi asla elinizle tutmayın. Ürünü kullanırken kazara kayması ciddi fiziksel yaralanmalara neden olabilir.
- Kesme aksesuarlarını kullanarak ahşap ve alçı panel gibi yumuşak malzemelerde daldırma kesim yaparken titreşimli bıçağı iş parçasının üzerine kademeli olarak yerleştirin. Titreşimli bıçağı kesilecek malzemeye sert bir şekilde bastırmayın. Bırakın işi ürün yapsın, siz de ürünü ve kesme bıçağını kesim yapmak istediğiniz pozisyonda tutmaya konsantre olun.
- Kesim derinliğini ayarlamaya yardımcı olmak veya malzemenin çok derin kesilmesini önlemek için derinlik/yükseklik ayarını kullanın.
- Demir olmayan metalleri keserken çok dikkatli olun. Titreşimli kesme bıçağı, kesime başlamadan önce kayabilir. Gerekirse kesme bıçağına yardımcı olmak için kesmek istediğiniz hat boyunca birkaç delik açın.
- Kesme aksesuarları iş parçasına sıkıştırsa ürünü kapatın ve güç kaynağından ayırın. Kesme aksesuarı kolayca çıkmıyorsa kesme aksesuarını üründen serbest bırakmadan önce kesme aksesuarlarını uygun şekilde soğumaya bırakın. Kesme aksesuarını iş parçasından çıkarmak için eldiven giyin ve kargaburnu ve İngiliz anahtarı gibi el aletleri kullanın.

BAKIM

⚠ UYARI

Parçaları monte ederken, temizlerken, bakımını yaparken veya kullanılmadığı zaman ürün asla bir güç kaynağına bağlanmamalıdır. Ürünün bağlantısının kesilmesi ciddi yaralanmalara neden olabilecek kazara çalışmayı önleyecektir.

⚠ UYARI

Uygulama sırasında yalnızca üreticinin orijinal yedek parçalarını kullanın. Diğer parçaları kullanmak tehlike yaratabilir ya da hasara neden olabilir.

Güç kaynağı kablosu hasarlıysa, güvenlik riskini önlemek için yalnızca üretici veya yetkili bir servis merkezi tarafından değiştirilmelidir. Yetkili servis merkezini arayın.

⚠ UYARI

Daha fazla güvenlik için, tüm onarımlar RYOBI Yetkili Servis Merkezinde gerçekleştirilmelidir.

GENEL

Plastik parçaları temizlerken solventleri kullanmaktan kaçınınız. Plastiklerin çoğu ticari kullanımı uçucu maddeler karşı hassastır. Lekeleri, tozu, vb. temizlemek için temiz bir bez kullanınız.

⚠ UYARI

Plastik unsurlar asla fren sıvısı, benzin, petrol bazlı ürünler, nüfuz edici yağlar, vb ile temas etmemelidir. Bu kimyasal ürünler, plastiğe zarar verebilecek, kırılır hale getirebilecek ya da yok edebilecek maddeler içermektedir.

Alçı ve duvar kaplamasından çıkan toz aşındırıcıdır ve motor bölgesine girmesine izin verilirse ürünün zamanından önce arızalanmasına neden olabilir. Her zaman bir elektrikli süpürgeye bağlı toz giderme aksesuarı kullanın. Ürünü kullandıktan sonra bir fırça ve elektrikli süpürge kullanarak iyice temizleyin. Kiri havalandırma deliklerinin içine doğru itmemeye dikkat edin. Üründeki tozu temizlemek için sıkıştırılmış hava kullanmayın. Sıkıştırılmış hava tarafından havaya dağılan kir ve kum ciddi göz yaralanmalarına neden olabilir.

YAĞLAMA

Üründeki tüm yataklar normal çalışma koşullarında ürünün hizmet ömrü boyunca yeterli miktarda yüksek kalite yağ ile yağlanır. Buna göre, fazladan yağlama yapılmasına gerek yoktur.

ÇEVRENİN KORUNMASI



Ham maddeleri çöp olarak atmak yerine geri dönüştürün. Çevreyi korumak için ürün, aksesuarlar ve ambalajlar tasnif edilmelidir.

ÜRÜN ÜZERİNDEKİ SEMBOLLER



Güvenlik Uyarısı

V Volt

Hz Hertz

~ Alternatif akım

W Watt

n_o Bota hız

min⁻¹ Saniyede devir veya hareket sayısı

CE CE Uygunluğu

EAC EurAsian Uyumluluk işareti



Ukrayna uygunluk işareti.



Sınıf II ekipmanı
Çift yalıtım



Ahşap –
Daldırma ve düzleme kesimler



Demirsiz metaller –
Daldırma ve düzleme kesimler



Plastik –
Daldırma ve düzleme kesimler



Kartonpiyer –
Daldırma ve düzleme kesimler



Beton –
Fayans derzi sökme



Fayans yapıştırıcısı sökme



Ürünü çalıştırmadan önce, lütfen aşağıdaki talimatları dikkatlice okuyun.



Göz, kulak ve solunum koruması giyin.



Atık elektrikli ürünler evsel atıklarla birlikte atılmamalıdır. Tesis bulunuyorsa lütfen geri dönüşüme verin. Geri dönüşümle ilgili tavsiye için Yerel Makamlarla veya bayi ile irtibat kurun.

KİTAPÇIKTAKİ SEMBOLLER



Not



Güç kaynağına bağlayın.



Güç kaynağından ayırın.



Parçalar ya da aksesuarlar ayrı olarak satılır.



Kilit



Kilidi açma



Hız, minimum



Hız, en

Aşağıdaki işaret sözcükleri ve anlamları, bu ürünle ilişkili risk seviyelerini açıklamaya yöneliktir:

⚠ TEHLİKE

Önlenmemesi durumunda ölüm veya ciddi yaralanma ile sonuçlanacak, tehdit edici tehlikeli bir durumu gösterir.

⚠ UYARI

Önlenmemesi durumunda ölüm veya ciddi yaralanma ile sonuçlanabilecek potansiyel olarak tehlikeli bir durumu gösterir.

⚠ DİKKAT

Önlenmemesi durumunda önemsiz veya orta derece yaralanma ile sonuçlanabilecek potansiyel olarak tehlikeli bir durumu gösterir.

DİKKAT

(Bez výstražnej značky s výkričníkom) Označuje situáciu, ktorá môže zapríčiniť škody na majetku.



Στον σχεδιασμό του πολυεργαλείου έχει δοθεί μέγιστη προτεραιότητα στην ασφάλεια, την απόδοση και την αξιοπιστία.

ΠΡΟΟΡΙΖΟΜΕΝΗ ΧΡΗΣΗ

Το πολυεργαλείο διατίθεται για χρήση μόνο από ενήλικες που έχουν διαβάσει και κατανοήσει τις οδηγίες και τις προειδοποιήσεις του παρόντος εγχειριδίου και μπορούν να θεωρηθούν υπεύθυνοι για τις πράξεις τους.

Το πολυεργαλείο προορίζεται να χρησιμοποιηθεί:

- για λείανση και φινιρίσμα μετάλλου, ξύλου, πλαστικού, ή παρόμοιων υλικών χρησιμοποιώντας το περιστρεφόμενο πέλμα με το διαμορφωμένα λειαντικά φύλλα
- για το ξύσιμο και κοπή με βύθισμα στο υλικό σε μη-σιδηρούχα μέταλλα, ξύλο, πλαστικό, γυψοσανίδες, κ.λ.π., χρησιμοποιώντας τις παρεχόμενες μεταλλικές λεπίδες κοπής
- για την κοπή οπών σε τοίχους για τοποθέτηση διακοπών ή πριζών
- για την απομάκρυνση υλικού από την αρμολόγηση μεταξύ κεραμικών πλακιδίων

Το πολυεργαλείο προορίζεται για να λειτουργεί σε εσωτερικούς χώρους σε στεγνά σημεία, καλά φωτισμένους και επαρκώς αεριζόμενους χώρους.

Το προϊόν δεν διατίθεται για χρήση σε υγρά υλικά και επιφάνειες.

Μην χρησιμοποιείτε το προϊόν με τρόπο διαφορετικό από αυτόν που αναφέρεται για τη χρήση του.

⚠️ ΠΡΟΕΙΔΟΠΟΙΗΣΗ

Διαβάστε προσεκτικά όλες τις προειδοποιήσεις, οδηγίες και προδιαγραφές που παρέχονται με το εργαλείο και ανατρέξτε στις εικόνες. Τυχόν παράβλεψη των παρακάτω οδηγιών μπορεί να επιφέρει ηλεκτροπληξία, πυρκαγιά ή και σοβαρό τραυματισμό.

Φυλάξτε αυτές τις προειδοποιήσεις και οδηγίες για να μπορέσετε να ανατρέξετε μελλοντικά.

ΠΡΟΕΙΔΟΠΟΙΗΣΕΙΣ ΑΣΦΑΛΕΙΑΣ ΠΟΛΥΕΡΓΑΛΕΙΟΥ

- Πάντα να κρατάτε τα ηλεκτρικά εργαλεία μόνο από μονωμένες επιφάνειες λαβής. Το εξάρτημα κοπής μπορεί να κάνει επαφή με κρυμμένα καλώδια ή με το ίδιο του το καλώδιο. Η επαφή του εξαρτήματος κοπής με «ζωντανό» καλώδιο (ηλεκτροφόρο) μπορεί να μεταφέρει τον ηλεκτρισμό στα εκτεθειμένα μεταλλικά εξαρτήματα του εργαλείου, προκαλώντας ηλεκτροπληξία στον χειριστή.
- Να φοράτε πάντα γυαλιά ασφαλείας κατά τη λειτουργία του εργαλείου. Να φοράτε μάσκα για τη σκόνη, όταν παράγεται σκόνη.
- Το προϊόν θα κάνει αυτόματη επανεκκίνηση εάν διακοπεί η λειτουργία του.

⚠️ ΠΡΟΕΙΔΟΠΟΙΗΣΗ

Η σκόνη από ορισμένα χρώματα, επιχρίσματα και υλικά μπορεί να προκαλέσει ερεθισμό ή αλλεργικές αντιδράσεις στο αναπνευστικό σύστημα. Η σκόνη από ξύλο, όπως η δρυς, οξιά, MDF και άλλα είναι καρκινογόνος. Η χρήση του προϊόντος σε υλικά που περιέχουν αμίαντο, επιτρέπεται μόνο από ειδικούς.

⚠️ ΠΡΟΕΙΔΟΠΟΙΗΣΗ

Το προϊόν δεν πρέπει ποτέ να συνδέεται σε παροχή ισχύος όταν συναρμολογείτε εξαρτήματα, όταν διεξάγετε ρυθμίσεις, καθαρίσετε, συντήρηση ή όταν το προϊόν δε χρησιμοποιείται. Μια απώσυνδυαση του προϊόντος θα εμποδίσει τυχαία εκκίνηση, η οποία θα μπορούσε να προκαλέσει σοβαρό τραυματισμό.

- Κρατάτε το καλώδιο σύνδεσης πάντοτε μακριά από την περιοχή δράσης της μηχανής. Περνάτε το καλώδιο πάντοτε πίσω από τη μηχανή.
- Όταν εργάζεστε σε τοίχους, οροφές ή δάπεδα, φροντίστε να αποφεύγετε ηλεκτρικά καλώδια και σωλήνες αερίου ή νερού.

⚠️ ΠΡΟΕΙΔΟΠΟΙΗΣΗ

Τα μεταλλικά βοηθητικά εξαρτήματα θα ζεσταίνονται κατά τη λειτουργία και μπορεί να προκαλέσουν εγκαύματα στο δέρμα αν έρθουν σε επαφή με τον χειριστή. Φοράτε γάντια κατά την αλλαγή εξαρτημάτων. Προσέξτε κατά τη ρύθμιση του εργαλείου μεταξύ των εργασιών για την πρόληψη ζημιών ή τραυματισμών.

- Μη χρησιμοποιείτε εξαρτήματα κοπής που έχουν υποστεί ζημιά, ραγίσει ή δεν ταιριάζουν καλά με το προϊόν.
- Όποτε είναι δυνατόν, τοποθετήστε το εξάρτημα συλλογής σκόνης που παρέχεται και συνδέστε το με μια συσκευή κενού για την απομάκρυνση της σκόνης από το χώρο εργασίας και για την πρόληψη τυχόν ερεθισμού της αναπνευστικής οδού και βλάβη στο εργαλείο.
- Το προϊόν δονείται υπερβολικά κατά τη χρήση και μπορεί να προκαλέσει δυσφορία εάν λειτουργεί για μεγάλες χρονικές περιόδους. Για να ανακουφίσετε τη δυσφορία και να αποφεύγετε τραυματισμούς, κάντε τακτικά διαλείμματα από την εργασία. Επιλέξτε μια ρύθμιση για την ταχύτητα που θα σας επιτρέψει να ολοκληρώσετε αποτελεσματικά την εργασία. Διαβάστε για τους υπολειπόμενους κινδύνους και τα τμήματα μείωσης των κινδύνων για περισσότερες πληροφορίες σχετικά με τους τραυματισμούς που σχετίζονται με τους κραδασμούς.

ΕΠΙΠΡΟΣΘΕΤΕΣ ΠΡΟΕΙΔΟΠΟΙΗΣΕΙΣ ΑΣΦΑΛΕΙΑΣ

- Απενεργοποιήστε αμέσως τη συσκευή εάν το εργαλείο εισαγωγής φρακάρει. Μην ενεργοποιήσετε τη συσκευή ενόσω το εργαλείο εισαγωγής παραμένει φρακαρισμένο, διότι κάτι τέτοιο θα μπορούσε να πυροδοτήσει ξαφνική ανάκρουση με υψηλή δύναμη αντίδρασης. Προσδιορίστε την αιτία του προβλήματος



στο εργαλείο εισαγωγής και διορθώστε την, προσέχοντας την τήρηση των οδηγιών ασφάλειας.

- Οι πιθανές αιτίες μπορεί να είναι:
 - έχει γυρίσει στο τεμάχιο εργασίας
 - έχει τρυπήσει το τεμάχιο εργασίας
 - το προϊόν έχει υπερφορτωθεί

ΆΛΛΟΙ ΚΙΝΔΥΝΟΙ

Ακόμη και όταν το προϊόν χρησιμοποιείται σύμφωνα με τις οδηγίες, δεν είναι δυνατή η απόλυτη απαλειφή συγκεκριμένων παραγόντων κινδύνου. Κατά τη χρήση μπορεί να προκύψουν οι ακόλουθοι κίνδυνοι και ο χειριστής πρέπει να δίδει ιδιαίτερη προσοχή προς αποφυγή των εξής:

- Τραυματισμός που προκαλείται από τη σκόνη
 - Ενώ χρησιμοποιείτε το προϊόν, θα παραχθεί σημαντική ποσότητα σκόνης και σωματιδίων. Χρησιμοποιήστε τη συσκευή συλλογής σκόνης ή συνδέστε μία αντλία απόστασης σκόνης όταν χρησιμοποιείτε το προϊόν.
 - Να φοράτε συνέχεια, προστατευτικά γυαλιά.
 - Φορέστε μάσκα προστασίας της αναπνοής που περιέχουν κατάλληλα φίλτρα για τα πελικά που επεξεργάζεστε Βεβαιωθείτε ότι υπάρχει επαρκής εξαερισμός του χώρου εργασίας.
 - Μην τρώτε, πίνετε ή καπνίζετε στον χώρο εργασίας.
- Τραυματισμοί εξαιτίας θορύβου και κραδασμών
 - Φοράτε προστατευτικά αυτιών
 - Μην χρησιμοποιείτε το προϊόν για μεγάλα χρονικά διαστήματα. Βλ. "Μειωση Κινδύνου".
- Κίνδυνος ηλεκτροπληξίας εάν κοπούν ηλεκτρικά καλώδια
Πάντα να κρατάτε το προϊόν από τις ειδικές λαβές. Μην αγγίζετε τις λεπίδες κοπής ή μεταλλικά μέρη του προϊόντος.

ΜΕΙΩΣΗ ΚΙΝΔΥΝΟΥ

Υπάρχουν αναφορές ότι οι κραδασμοί από εργαλεία χειρός ενδεχομένως να συμβάλλουν στην εκδήλωση της πάθησης Συνδρόμου Raynaud, σε ορισμένα άτομα. Τα συμπτώματα περιλαμβάνουν κνησμό, μούδιασμα και λευκότητα των δακτύλων, που εμφανίζονται συνήθως μετά την έκθεση σε κρύο. Κληρονομικοί παράγοντες, έκθεση σε κρύο και υγρασία, κάπνισμα και πρακτικές εργασίας θεωρείται ότι συμβάλλουν στην εκδήλωση των συμπτωμάτων. Υπάρχουν μέτρα που μπορούν να ληφθούν από τον χειριστή για να μειωθούν πιθανώς οι επιδράσεις των κραδασμών:

- Διατηρείτε το σώμα σας ζεστό όταν ο καιρός είναι ψυχρός. Φοράτε γάντια κατά τον χειρισμό του μηχανήματος, για να διατηρείτε ζεστά τα χέρια και τους καρπούς σας. Ο ψυχρός καιρός είναι κύριος παράγοντας που συμβάλλει στην εκδήλωση του συνδρόμου Raynaud.
- Μετά από κάθε περίοδο λειτουργίας, κάνετε ασκήσεις για να αυξάνετε την κυκλοφορία αίματος.
- Κάνετε τακτικά διαλείμματα κατά την εργασία. Περιορίζετε το σύνολο έκθεσης ανά ημέρα.

Αν παρουσιάσετε οποιοδήποτε σύμπτωμα αυτής της

πάθησης, διακόψτε αμέσως τη χρήση και συμβουλευτείτε τον γιατρό σας για τα συμπτώματα.

ΠΡΟΕΙΔΟΠΟΙΗΣΗ

Υπάρχει κίνδυνος παράκλισης ή επιδείνωσης τραυματισμού, από την παρατεταμένη χρήση εργαλείου. Όταν χρησιμοποιείτε το εργαλείο για μεγάλες περιόδους, κάνετε τακτικά διαλείμματα.

ΓΝΩΡΙΣΤΕ ΤΟ ΠΡΟΪΟΝ ΣΑΣ

Βλέπε σελίδα 109.

1. Σφιγκτήρας λεπίδας
2. Ασφάλεια λεπίδας/μοχλός απελευθέρωσης
3. Κομπιά απελευθέρωσης ρύθμισης γωνίας κεφαλής
4. Λεπίδα κοπής βύθισης
5. Λεπίδα ζύστρας
6. Λεπίδα για ρευστοκονίαμα
7. Λεπίδα αποκοπής/μεταλλική λεπίδα
8. Πέλμα
9. Γυαλόχαρτο
10. Στόμιο αναρρόφησης
11. Μετρητής βάθους/ύψους
12. Αντάπτορας * / **
13. Έλεγχος της ταχύτητας
14. Διακόπτης ενεργοποίησης/απενεργοποίησης (on/off)
15. Λαβή, μονωμένη επιφάνεια λαβής

Πλευρά R&F

Συμβατό με παλαιότερα μοντέλα εξαρτημάτων RYOBI, RIDGID, ή AEG . Το RYOBI αποτελεί εμπορικό σήμα που χρησιμοποιείται με την άδεια της RYOBI Limited. Το RIDGID αποτελεί εμπορικό σήμα της Emerson Electric Co. Το AEG αποτελεί εμπορική ονομασία που χρησιμοποιείται με την άδεια της AB Electrolux (δημοσ.).

*Συμβατό με εξαρτήματα FEIN . Το FEIN αποτελεί εμπορικό σήμα της C. & E. Fein GmbH.

Πλευρά D

**Συμβατό με εξαρτήματα DREMEL . Το DREMEL αποτελεί εμπορικό σήμα της Robert Bosch Tool Corporation.

ΛΕΙΤΟΥΡΓΙΑ

Το προϊόν διατίθεται με επιπλέον προσαρμογέα για χρήση με άλλες μάρκες εξαρτημάτων κοπής, απόξεσης, λείανσης και λείανσης. Μην χρησιμοποιείτε τον προσαρμογέα με την τελευταία γενιά των βοηθητικών εξαρτημάτων RYOBI που παρέχονται με το εργαλείο. Για παράδειγμα, χρησιμοποιήστε τον προσαρμογέα με τα γράμματα "R&F" να βλέπουν προς τα έξω, αν θέλετε να χρησιμοποιήσετε βοηθητικά εξαρτήματα παλιότερης γενιάς της RYOBI, RIDGID ή της AEG. Ο προσαρμογέας μπορεί να χρησιμοποιηθεί από την άλλη πλευρά με άλλες μάρκες βοηθητικών εξαρτημάτων.

- Ασφαλίστε τα τεμάχια που κατεργάζεστε σε σφιγκτήρα για να αποτρέψετε οποιαδήποτε μετακίνηση κατά τη λείανση ή τις εργασίες κοπής. Μην κρατάτε ποτέ με το χέρι το τεμάχιο εργασίας. Μια ακούσια ολίσθηση κατά τη λειτουργία του προϊόντος μπορεί να προκαλέσει σοβαρό τραυματισμό.
- Όταν κάνετε μια κοπή σε βάθος σε μαλακά υλικά όπως



ξύλο και γυψοσανίδες χρησιμοποιώντας το κοπτικό εξάρτημα, πλησιάστε σταδιακά την δονούμενη λεπίδα στο τεμάχιο εργασίας. Μην πιέζετε το δονούμενη λεπίδα δυνατά μέσα στο υλικό που πρόκειται να κοπεί. Αφήστε το προϊόν να κάνει τη δουλειά και επικεντρωθείτε στη διατήρηση του προϊόντος και της λεπίδας κοπής σταθερά στη θέση που θέλετε να κάνετε την κοπή.

- Χρησιμοποιήστε το μετρητή βάθους/ύψους για να σας βοηθήσει να ρυθμίσετε το βάθος της κοπής ή να εμποδίσει την κοπή πάρα πολύ βαθιά μέσα στο υλικό.
- Προσέξτε επιπλέον κατά την κοπή μη σιδηρούχων μετάλλων. Η δονούμενη λεπίδα κοπής μπορεί να πηδήξει γρήγορα γύρω πριν αρχίσει να κόβει. Εάν είναι απαραίτητο, ανοίξτε μερικές τρύπες κατά μήκος της γραμμής που θέλετε να κοπεί για να βοηθήσετε τη λεπίδα κοπής.
- Αν τα εξαρτήματα κοπής μπλοκάρουν στο κομμάτι, σβήστε το προϊόν και αποσυνδέστε την από την παροχή ηλεκτρικού ρεύματος. Αν το εξάρτημα κοπής δεν μπορεί να αφαιρεθεί εύκολα, αφήστε τα εξαρτήματα κοπής να κρυώσει επαρκώς πριν από την αποδέσμευση του εξαρτήματος κοπής από το προϊόν. Να φοράτε γάντια και να χρησιμοποιείτε εργαλεία χειρός, όπως πένσες και κλειδιά, για να αφαιρέσετε το εξάρτημα κοπής από το τεμάχιο εργασίας.

ΣΥΝΤΗΡΗΣΗ

ΠΡΟΕΙΔΟΠΟΙΗΣΗ

Το προϊόν δεν πρέπει ποτέ να συνδέεται στο ρεύμα όταν συναρμολογείτε τα εξαρτήματά του, το καθαρίζετε, εκτελείτε εργασίες συντήρησης ή ακόμη και όταν δεν το χρησιμοποιείτε. Μια αποσύνδεση του προϊόντος θα εμποδίσει τυχαία εκκίνηση, η οποία θα μπορούσε να προκαλέσει σοβαρό τραυματισμό.

ΠΡΟΕΙΔΟΠΟΙΗΣΗ

Στις εργασίες σέρβις χρησιμοποιείτε μόνο αυθεντικά ανταλλακτικά του κατασκευαστή. Η χρήση οποιουδήποτε άλλου ανταλλακτικού μπορεί να παρουσιάσει κίνδυνο ή να προκαλέσει ζημιά στο εργαλείο σας.

Αν το καλώδιο παροχής ρεύματος υποστεί φθορές, θα πρέπει να αντικατασταθεί από τον κατασκευαστή ή από εξουσιοδοτημένο κέντρο σέρβις για την αποφυγή κινδύνων ασφάλειας. Επικοινωνήστε με το εξουσιοδοτημένο κέντρο σέρβις.

ΠΡΟΕΙΔΟΠΟΙΗΣΗ

Για μεγαλύτερη ασφάλεια και αξιοπιστία, όλες οι επιδιορθώσεις πρέπει να πραγματοποιούνται από εγκεκριμένο Κέντρο Τεχνικής Εξυπηρέτησης RYOBI.

ΓΕΝΙΚΑ

Αποφύγετε τη χρήση διαλυτών κατά τον καθαρισμό πλαστικών εξαρτημάτων. Τα περισσότερα πλαστικά μπορούν να υποστούν ζημιά από τη χρήση ορισμένων διαλυτών που διατίθενται στο εμπόριο. Χρησιμοποιήστε

ένα καθαρό πανάκι για να καθαρίσετε τις ακαθαρσίες, τη σκόνη, κλπ.

ΠΡΟΕΙΔΟΠΟΙΗΣΗ

Τα πλαστικά τμήματα δεν πρέπει ποτέ να έρχονται σε επαφή με υγρά φρένων, βενζίνη, προϊόντα με βάση το πετρέλαιο, έλαια, κλπ. Τα προϊόντα αυτά περιέχουν χημικές ουσίες που μπορούν να προσενηθούν ζημιά, να μειώσουν ή να καταστρέψουν το πλαστικό.

Η σκόνη από γύψο και γυψοσανίδες είναι λειαντική και μπορεί να προκαλέσει πρόωρη βλάβη του προϊόντος, αν μπορεί να μπει στον χώρο του κινητήρα. Να χρησιμοποιείτε πάντα το εξάρτημα απομάκρυνσης της σκόνης συνδεδεμένο με σκούπα. Καθαρίστε καλά το προϊόν μετά τη χρήση, χρησιμοποιώντας ένα πινέλο και ηλεκτρική σκούπα. Προσέξτε να μην σπρώξετε βρωμιά μέσα στα ανοίγματα εξαερισμού. Μην χρησιμοποιείτε πεπιεσμένο αέρα για την αφαίρεση σκόνης από το προϊόν. Οι σκόνες και τα χαλίκια που εκτινάσσονται από τον πεπιεσμένο αέρα μπορούν να προκαλέσουν σοβαρό οφθαλμολογικό τραυματισμό.

ΛΙΠΑΝΣΗ

Όλα τα έδρανα στο προϊόν έχουν λιπανθεί με επαρκή ποσότητα λιπαντικού υψηλής ποιότητας για όλη τη διάρκεια ζωής του προϊόντος, υπό φυσιολογικές συνθήκες λειτουργίας. Συνεπώς, δε χρειάζεται καμία επιπλέον λίπανση.

ΠΡΟΣΤΑΣΙΑ ΤΟΥ ΠΕΡΙΒΑΛΛΟΝΤΟΣ



Ανακυκλώνετε τις πρώτες ύλες αντί να τις πετάτε ως απορρίμματα. Για την προστασία του περιβάλλοντος, πρέπει να γίνεται διαλογή του προϊόντος, των εξαρτημάτων και των συσκευασιών του.

ΣΥΜΒΟΛΑ ΣΤΟ ΠΡΟΪΟΝ



Προειδοποίηση ασφάλειας

V

Βλτ

Hz

Ερτζ

~

Εναλλασσμεν ρεύμα

W

Βατ

n₀

Ταύτητα στ κεν

min⁻¹

Αριθμ στρών ή κινήσεων ανά λεπτ



Συμμόρφωση CE



EurAsian σήμα πιστότητας



Ουκρανικό σήμα συμμόρφωσης

001



Εξοπλισμός Κλάσης II
Διπλη μονωση





Ξύλο –
Κοπές σε βάθος και αποκοπή



Μη σιδηρούχων μετάλλων –
Κοπές σε βάθος και αποκοπή



Πλαστικό –
Κοπές σε βάθος και αποκοπή



Γυψοσανίδα –
Κοπές σε βάθος και αποκοπή



μπετό –
Αφαίρεση αρμοκονιάματος πλακιδίων



Αφαίρεση κόλλας πλακιδίων



Παρακαλούμε διαβάστε προσεκτικά τις οδηγίες πριν χρησιμοποιήσετε το προϊόν.



Φοράτε προστατευτικά για τα μάτια, τα αυτιά και αναπνοή.



Τα ηλεκτρικά προϊόντα προς απόρριψη δεν θα πρέπει να απορρίπτονται μαζί με τα οικιακά απόβλητα. Παρακαλούμε ανακυκλώστε όπου υπάρχουν οι αντίστοιχες εγκαταστάσεις. Μιλήστε με τις τοπικές αρχές ή τον πωλητή για να σας ενημερώσουν σχετικά με τα προγράμματα ανακύκλωσης.

ΚΙΝΔΥΝΟΣ

Υποδεικνύει μια επικείμενη επικίνδυνη κατάσταση, η οποία, αν δεν αποφευχθεί, θα οδηγήσει σε θάνατο ή σοβαρό τραυματισμό.

ΠΡΟΕΙΔΟΠΟΙΗΣΗ

Υποδεικνύει μια δυνητικά επικίνδυνη κατάσταση, η οποία, αν δεν αποφευχθεί, θα οδηγήσει σε θάνατο ή σοβαρό τραυματισμό.

ΠΡΟΣΟΧΗ

Υποδεικνύει μια δυνητικά επικίνδυνη κατάσταση, η οποία, αν δεν αποφευχθεί, ενδέχεται να οδηγήσει σε ελαφρύ ή μέτριο τραυματισμό.

ΠΡΟΣΟΧΗ

(Без знака за опасност) Указва ситуация, която може да доведе до имуществени повреди.

ΣΥΜΒΟΛΑ ΣΤΟ ΕΓΧΕΙΡΙΔΙΟ



ΣΗΜΕΙΩΣΗ



Συνδέστε στην παροχή ηλεκτρικού ρεύματος.



Αποσυνδέστε από την παροχή ρεύματος.



Ανταλλακτικά και εξαρτήματα πωλούνται χωριστά



Κλειδωμα



Ξεκλειδωμα



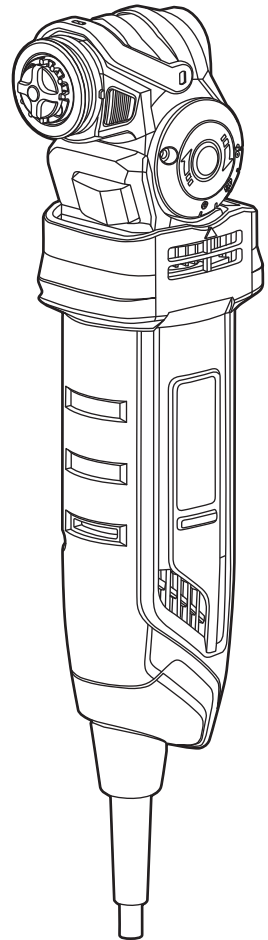
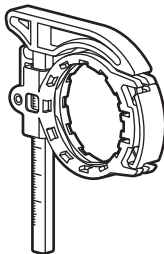
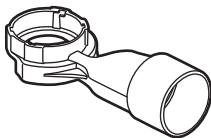
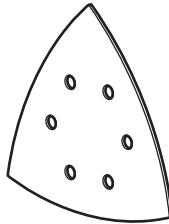
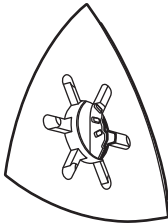
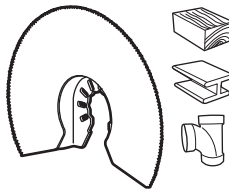
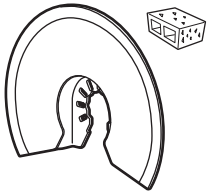
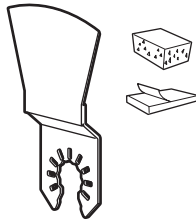
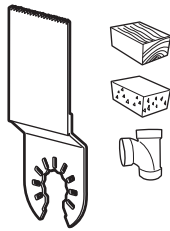
Ταχύτητα, ελάχιστη

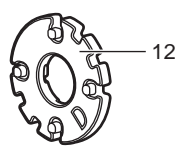
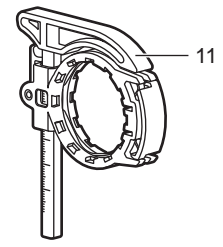
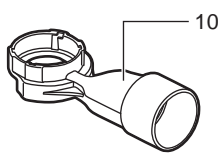
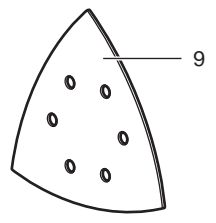
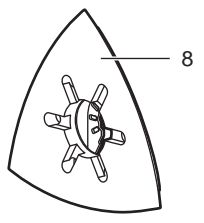
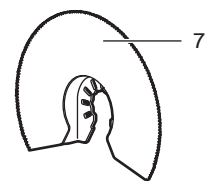
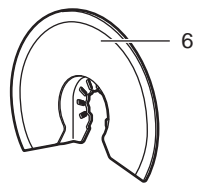
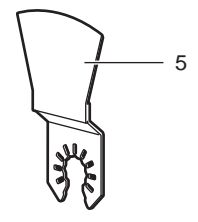
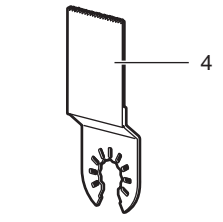
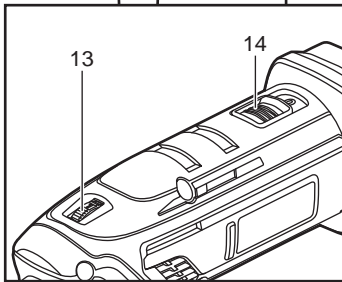
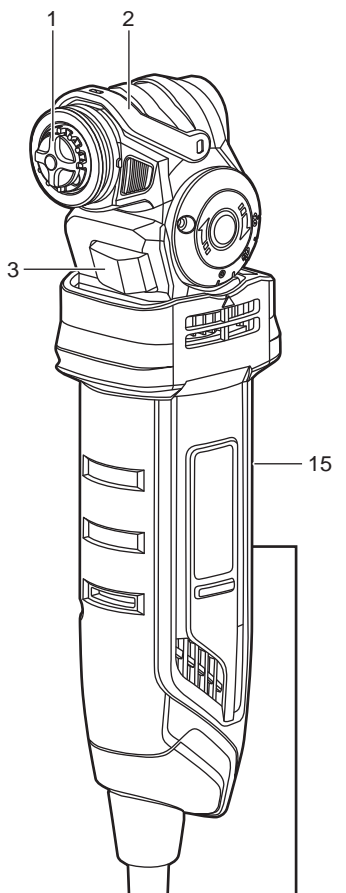


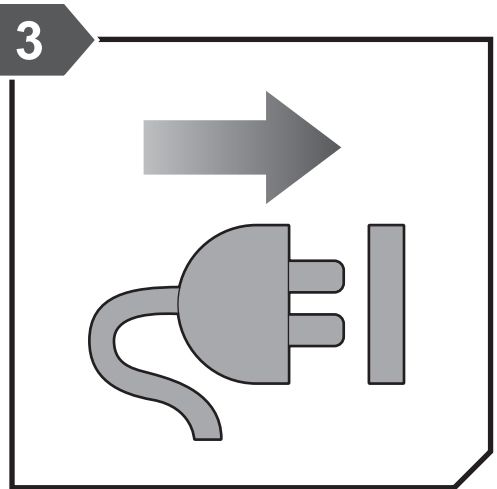
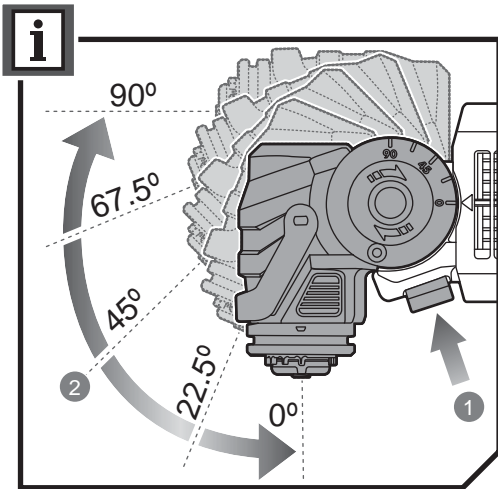
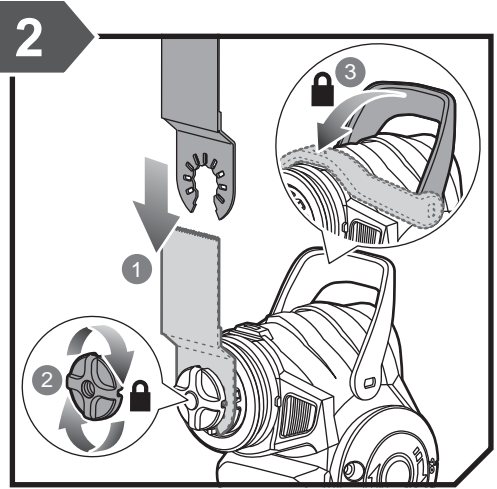
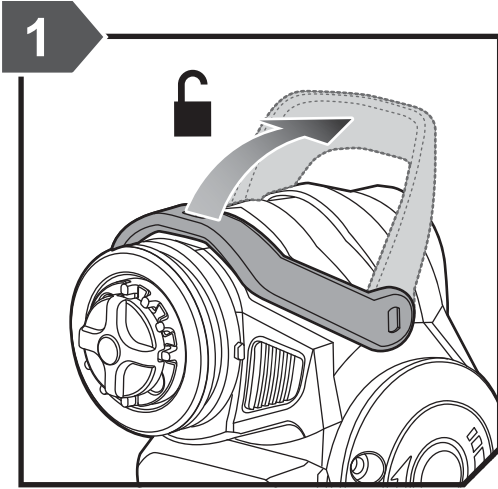
Ταχύτητα, ανώτατος

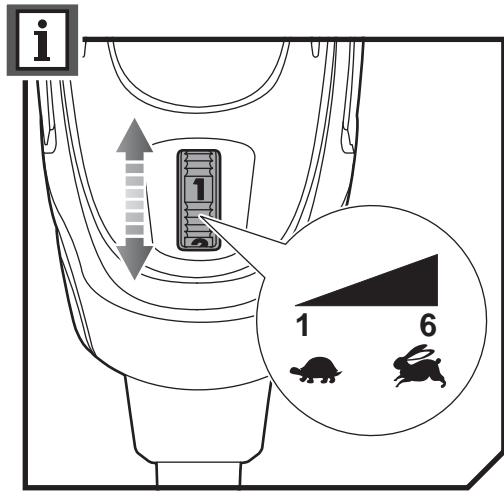
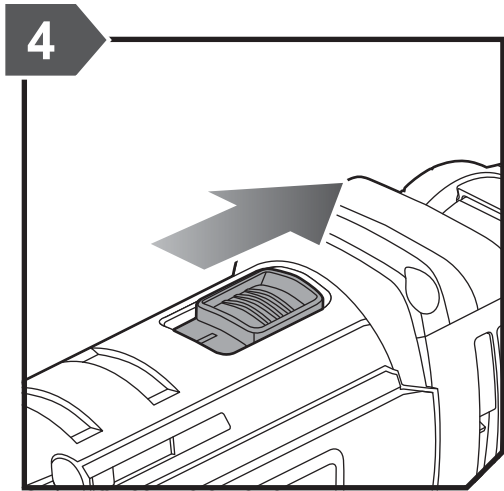
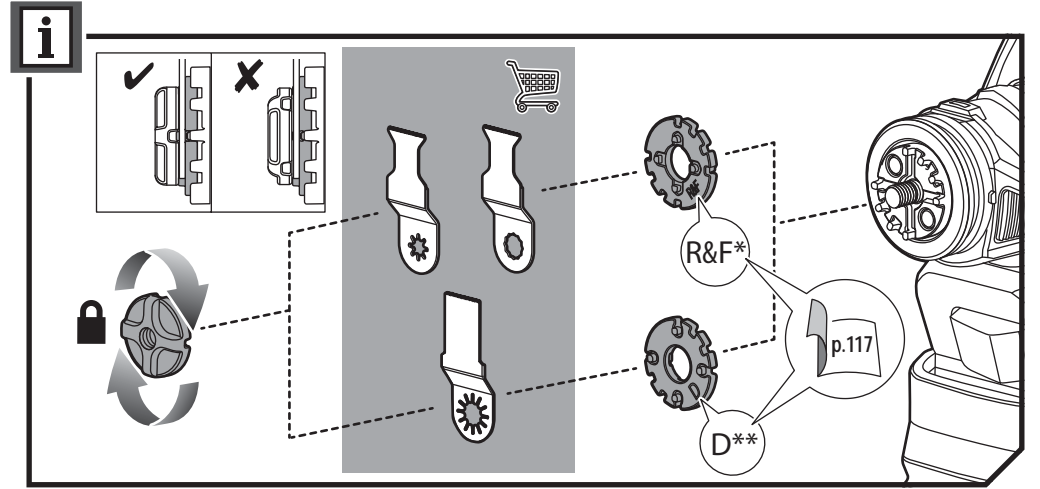
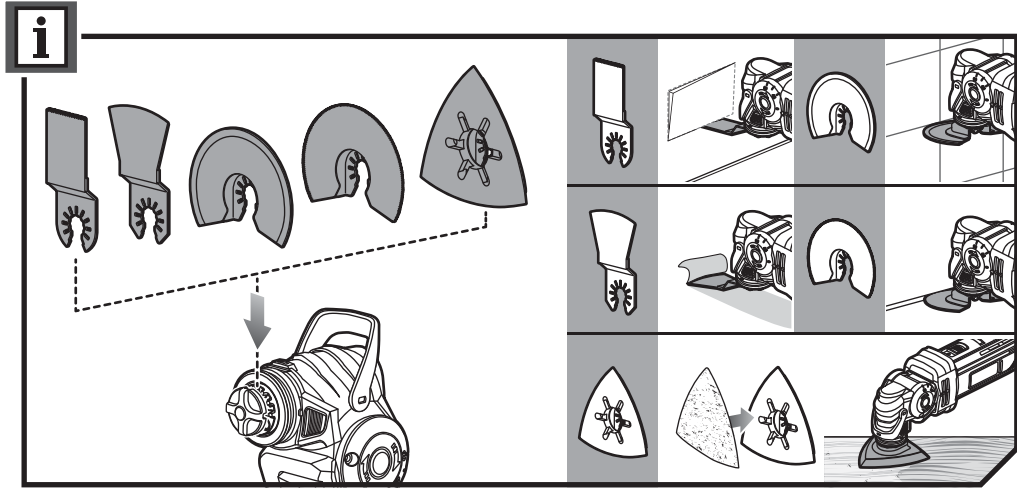
Οι ακόλουθες προειδοποιητικές λέξεις και έννοιες προορίζονται να εξηγήσουν τα επίπεδα κινδύνου που συνδέονται με αυτό το προϊόν:

- EN
- FR
- DE
- ES
- IT
- NL
- PT
- DA
- SV
- FI
- NO
- RU
- PL
- CS
- HU
- RO
- LV
- LT
- ET
- HR
- SL
- SK
- BG
- UK
- TR
- EL**

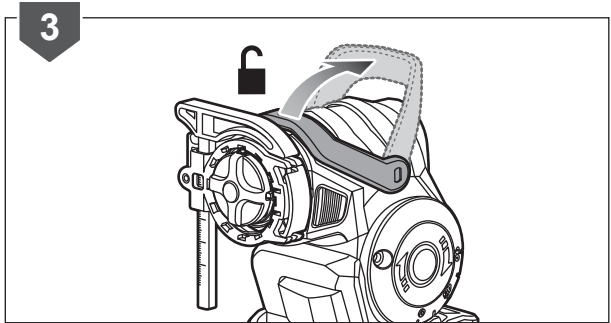
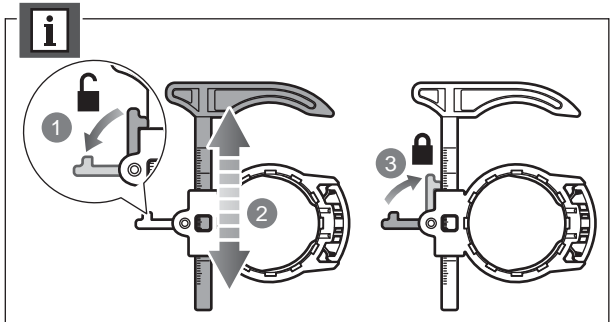
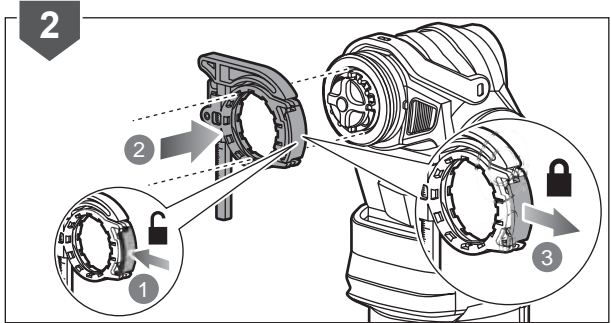
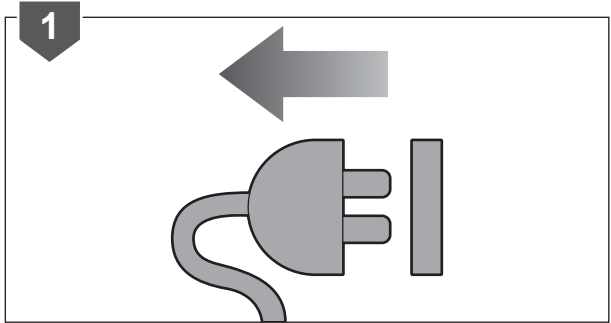
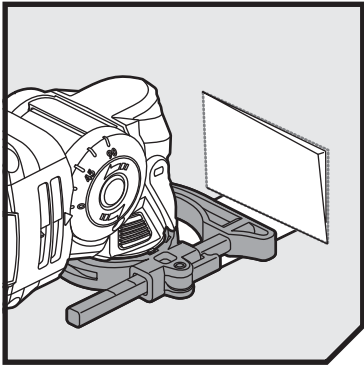


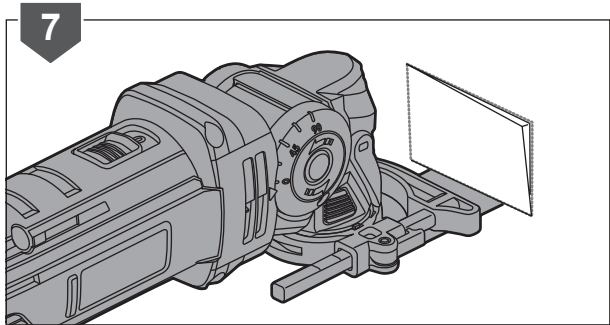
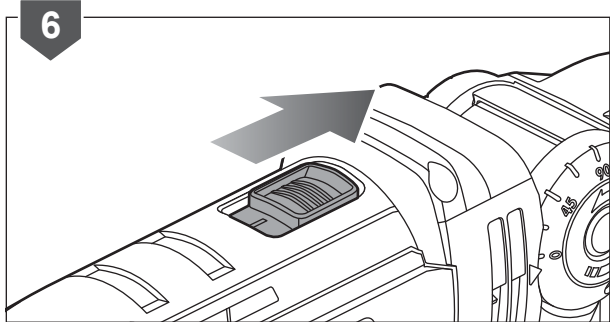
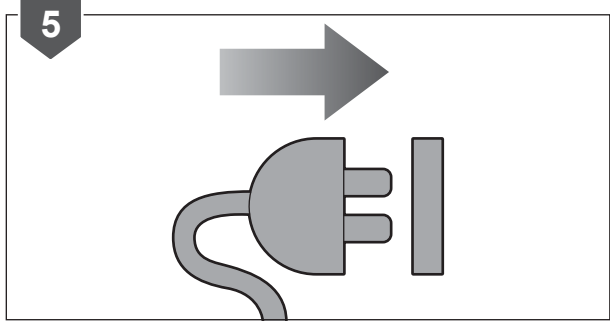
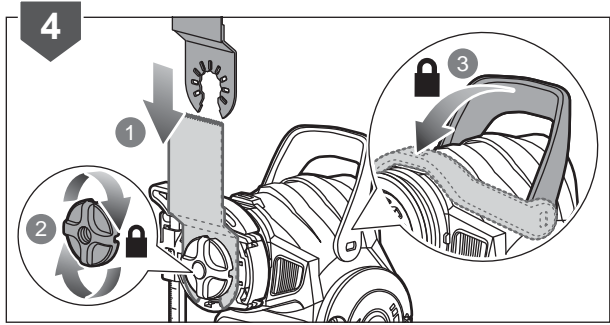


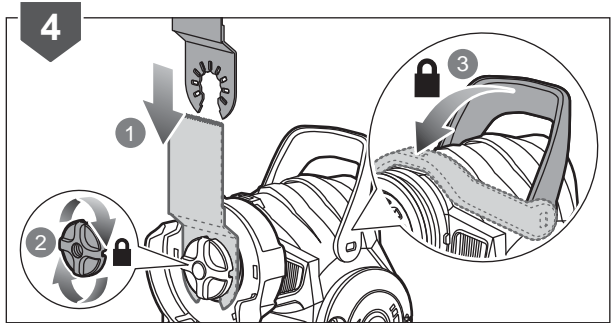
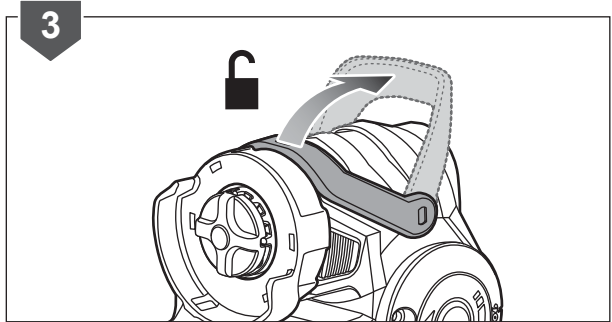
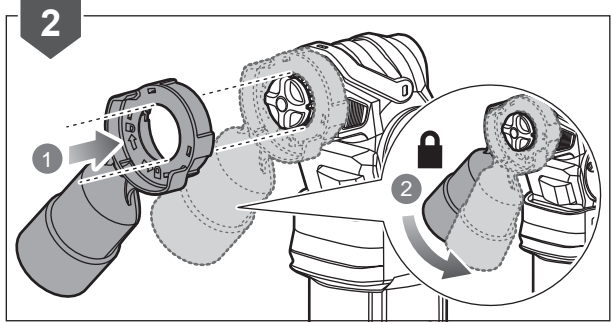
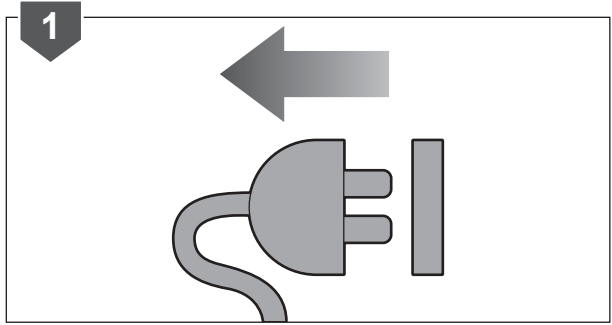
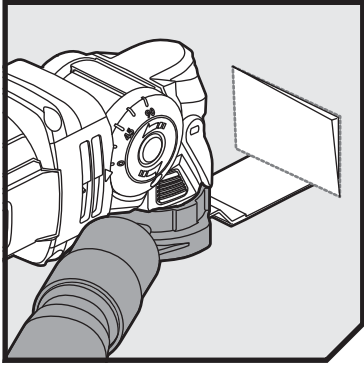


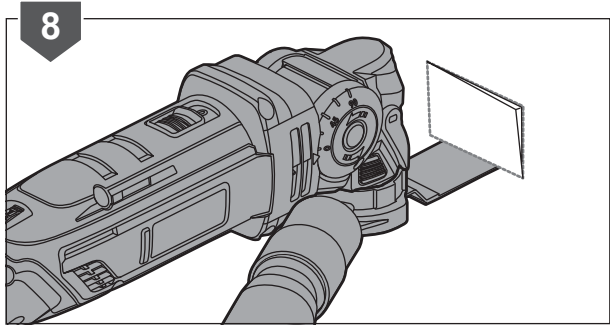
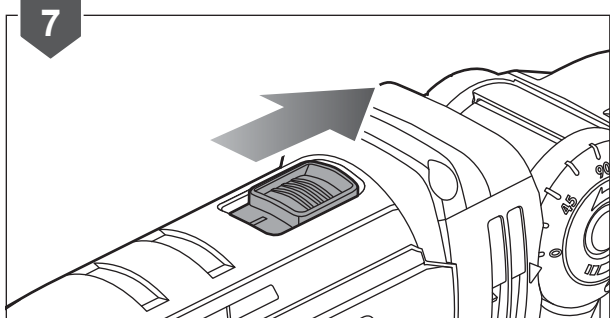
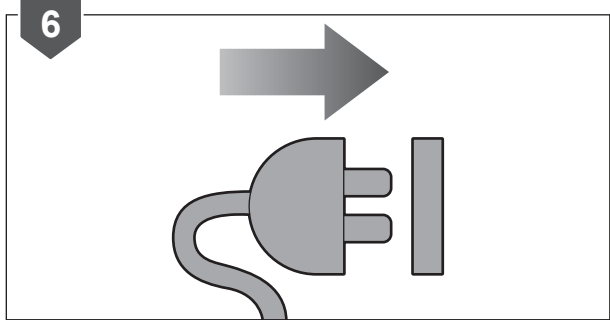
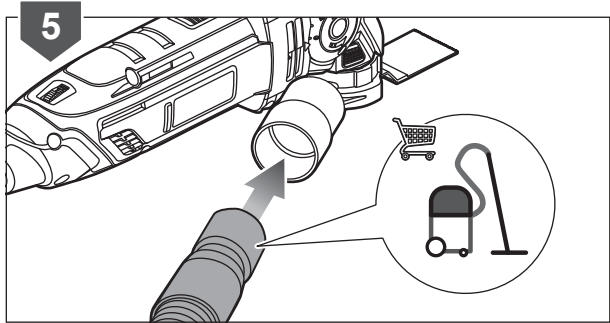












EN MULTI-TOOL ADAPTOR

*Compatible with earlier generations of RYOBI, RIDGID, or AEG accessories. RYOBI is a trademark used under license from Ryobi Limited. RIDGID is a trademark of Emerson Electric Co. AEG is a registered trademark used under license from AB Electrolux (publ).
*Compatible with FEIN accessories. FEIN is a trademark of C. & E. Fein GmbH.
*Compatible with DREMEL accessories. DREMEL is a trademark of Robert Bosch Tool Corporation.

FR ADAPTATEUR MULTI-OUTILS

*Compatible avec les générations précédentes d'accessoires RYOBI, RIDGID ou AEG. RYOBI est une marque commerciale, utilisée sous licence de Ryobi Limited. RIDGID est une marque commerciale d'Emerson Electric Co. AEG est une marque commerciale déposée, utilisée sous licence d'AB Electrolux (publ).
*Compatible avec les accessoires FEIN. FEIN est une marque commerciale de C. & E. Fein GmbH.
*Compatible avec les accessoires DREMEL. DREMEL est une marque commerciale de Robert Bosch Tool Corporation.

DE MULTITOOL-ADAPTER

*Mit den früheren Zubehörreihen der Firmen RYOBI, RIDGID und AEG kompatibel. RYOBI ist eine von Ryobi Limited lizenzierte Handelsmarke. RIDGID ist eine Handelsmarke von Emerson Electric Co. AEG ist eine registrierte von AB Electrolux (publ) lizenzierte Handelsmarke.
*Kompatibel mit Zubehör von FEIN. FEIN ist eine Handelsmarke der C. & E. Fein GmbH.
*Kompatibel mit Zubehör von DREMEL. DREMEL ist eine Handelsmarke der Robert Bosch Tool Corporation.

ES ADAPTADOR PARA MULTIHERRAMIENTA

*Compatible con generaciones anteriores de accesorios de RYOBI, RIDGID o AEG. RYOBI es una marca comercial utilizada bajo licencia de Ryobi Limited. RIDGID es una marca comercial de Emerson Electric Co. AEG es una marca comercial registrada utilizada bajo licencia de AB Electrolux (publ).
*Compatible con los accesorios FEIN. FEIN es una marca comercial de C. & E. Fein GmbH.
*Compatible con los accesorios DREMEL. DREMEL es una marca comercial de Robert Bosch Tool Corporation.

IT ADATTATORE MULTIUTENSILE

*Compatibile con le precedenti versioni degli accessori RYOBI, RIDGID o AEG. RYOBI è un marchio commerciale usato su licenza di Ryobi Limited. RIDGID è un marchio commerciale di Emerson Electric Co. AEG è un marchio commerciale registrato usato su licenza di AB Electrolux (publ).
*Compatibile con accessori FEIN. FEIN è un marchio commerciale di C. & E. Fein GmbH.
*Compatibile gli accessori DREMEL. DREMEL è un marchio commerciale di Robert Bosch Tool Corporation.

NL ADAPTER MULTI-GEREEDSCHAP

*Compatibel met eerdere earlier generaties van RYOBI-, RIDGID- en AEG-accessoires. RYOBI is een handelsmerk van Ryobi Limited en wordt onder licentie gebruikt. RIDGID is een handelsmerk van Emerson Electric Co. AEG is een gedeponeerd handelsmerk van AB Electrolux (publ) en wordt onder licentie gebruikt.
*Compatibel met accessoires van FEIN. FEIN is een handelsmerk van C. & E. Fein GmbH.
*Compatibel met accessoires van DREMEL. DREMEL is een handelsmerk van Robert Bosch Tool Corporation.

PT ADAPTADOR PARA MULTIFERRAMENTA

*Compatível com gerações anteriores de acessórios RYOBI, RIDGID ou AEG. RYOBI é uma marca comercial utilizada sob licença de Ryobi Limited. RIDGID é uma marca comercial da Emerson Electric Co. AEG é uma marca comercial registrada utilizada sob licença da AB Electrolux (publ).
*Compatível com acessórios FEIN. FEIN é uma marca comercial da C. & E. Fein GmbH.
*Compatível com acessórios DREMEL. DREMEL é uma marca comercial da Robert Bosch Tool Corporation.

DA MULTIVERKTØJSADAPTOR

*Kompatibel med tidligere generationer af RYOBI-, RIDGID- eller AEG-tilbehør. RYOBI er et varemærke brugt under licens fra Ryobi Limited. RIDGID er et varemærke tilhørende Emerson Electric Co. AEG er et registreret varemærke brugt under licens fra AB Electrolux (publ).
*Kompatibel med FEIN-tilbehør. FEIN er et varemærke tilhørende C. & E. Fein GmbH.
*Kompatibel med DREMEL-tilbehør. DREMEL er et varemærke tilhørende Robert Bosch Tool Corporation.

SV ADAPTER FÖR MULTIREDSKAP

*Kompatibel med tidigare generationer av tillbehör till RYOBI, RIDGID, eller AEG. RYOBI är ett varumärke som används under licens från Ryobi Limited. RIDGID är ett varumärke som tillhör Emerson Electric Co. AEG är ett registrerat varumärke som används under licens från AB Electrolux (publ).
*Kompatibel med tillbehör från FEIN. FEIN är ett varumärke som tillhör C. & E. Fein GmbH.
*Kompatibel med tillbehör från DREMEL. DREMEL är ett varumärke som tillhör Robert Bosch Tool Corporation.

FI ADAPTERI MONITOIMITYÖKÄLULLE

*Yhteensopiva seuraavien tuotteen aikaisempiin sukupolviin. RYOBI, RIDGID, tai AEG-tilvähöör, jonka omistaa C. & E. Fein GmbH, on tavaramerkki, jonka lisenssinhaltija on Ryobi Limited. RIDGID on tavaramerkki, jonka omistaa Emerson Electric Co. AEG on rekisteröity tavaramerkki, jonka lisenssinhaltija on AB Electrolux (publ).
*Yhteensopiva FEIN-lisävarvikkeiden kanssa. FEIN on tavaramerkki, jonka omistaa C. & E. Fein GmbH.
*Yhteensopiva DREMEL-lisävarvikkeiden kanssa. DREMEL on tavaramerkki, jonka omistaa Robert Bosch Tool Corporation.

NO MULTIVERKTØYADAPTER

*Kompatibel med tidligere generasjoner av RYOBI-, RIDGID- eller AEG-tilbehør. RYOBI er et varemerke som brukes på lisens fra Ryobi Limited. RIDGID er et varemerke som tilhører Emerson Electric Co. AEG er et registrert varemerke som brukes på lisens fra AB Electrolux (publ).
*Kompatibel med FEIN-tilbehør. FEIN er et varemerke som tilhører C. & E. Fein GmbH.
*Kompatibel med DREMEL-tilbehør. DREMEL er et varemerke som tilhører Robert Bosch Tool Corporation.

RU АДАПТЕР МНОГФУНКЦИОНАЛЬНОГО ИНСТРУМЕНТА

*Совместим с предыдущими поколениями принадлежностей RYOBI, RIDGID и AEG. RYOBI является товарным знаком, используемым по лицензии компании Ryobi Limited. RIDGID является товарным знаком компании Emerson Electric Co. AEG является зарегистрированным товарным знаком, используемым по лицензии компании AB Electrolux (publ).
*Совместимо с принадлежностями FEIN. FEIN является товарным знаком компании C. & E. Fein GmbH.
*Совместимо с принадлежностями DREMEL. DREMEL является товарным знаком компании Robert Bosch Tool Corporation.

PL ADAPTER DO NARZĘDZIA UNIWERSALNEGO

*Produkt zgodny z wcześniejszymi generacjami akcesoriów RYOBI, RIDGID oraz AEG. RYOBI jest znakiem towarowym na licencji Ryobi Limited. RIDGID jest znakiem towarowym na licencji Emerson Electric Co. AEG jest zarejestrowanym znakiem towarowym na licencji AB Electrolux (publ).
*Zgodny z akcesoriami FEIN. FEIN jest znakiem towarowym na licencji C. & E. Fein GmbH.
*Zgodny z akcesoriami DREMEL. DREMEL jest znakiem towarowym Robert Bosch Tool Corporation.

CS NÁSTAVEC PRO MULTIFUNKČNÍ NÁSTROJ

*Kompatibilní se staršími generacemi příslušenství RYOBI, RIDGID a AEG. RYOBI je ochranná známka používaná na základě licence od společnosti Ryobi Limited. RIDGID je ochranná známka společnosti Emerson Electric Co. AEG je ochranná známka používaná na základě licence od společnosti AB Electrolux (publ).
*Kompatibilní s příslušenstvím FEIN. FEIN je ochranná známka společnosti C. & E. Fein GmbH.
*Kompatibilní s příslušenstvím DREMEL. DREMEL je ochranná známka společnosti Robert Bosch Tool Corporation.

HU TÖBBFUNKCIÓS GÉP ADAPTERE

*A RYOBI, RIDGID illetve AEG tartozékok korábbi generációival kompatibilis. A RYOBI a Ryobi Limited licenccel végvesz. A RIDGID az Emerson Electric Co. védjegye. A AEG az AB Electrolux (publ) licence keretében regisztrált védjegye.
*DREMEL tartozékokkal kompatibilis. A DREMEL a Robert Bosch Tool Corporation védjegye.

RO ADAPTOR UNEALTE ULTI-FUNCIONALĂ

*Compatibil cu accesoriile versiunilor anterioare ale RYOBI, RIDGID sau AEG. RYOBI este o marcă comercială utilizată sub licență de la Ryobi Limited. RIDGID este marcă comercială a Emerson Electric Co. AEG este o marcă comercială înregistrată utilizată sub licență de la AB Electrolux (publ).
*Compatibil cu accesoriile FEIN. FEIN este o marcă comercială a C. & E. Fein GmbH.
*Compatibil cu accesoriile DREMEL. DREMEL este o marcă comercială a Robert Bosch Tool Corporation.

LV DAUDZFUNKCIONĀLĀ INSTRUMENTA ADAPTERS

*Savietojams ar iepriekšējām RYOBI, RIDGID, vai AEG aksesuāru paaudzēm. RYOBI ir Ryobi Limited licencētā preču zīme. RIDGID ir Emerson Electric Co. preču zīme. AEG ir AB Electrolux (publ) licencēta reģistrēta preču zīme.
*Savietojams ar FEIN aksesuāriem. FEIN ir C. & E. Fein GmbH preču zīme.
*Savietojams ar DREMEL aksesuāriem. DREMEL ir Robert Bosch Tool Corporation preču zīme.

LT UNIVERSALIOJO ĮRANKIO ADAPTERIS

*Tinka naudoti su senesniu versiju RYOBI, RIDGID arba AEG priedais. RYOBI yra prekės ženklas, naudojamas

pagal Ryobi Limited) licencija. RIDGID yra „Emerson Electric Co“ prekės ženklas. AEG yra registruotas prekės ženklas, naudojamas pagal „AB Electrolux“ (leid) licencija.
*Galima naudoti su FEIN priedais. FEIN yra „C. & E. Fein GmbH“ prekės ženklas.
*Galima naudoti su DREMEL priedais. DREMEL yra „Robert Bosch Tool Corporation“ prekės ženklas.

ET MULTIFUNKSIONAALSE TÖÖRISTA ADAPTER

*Sobib kasutada koos RYOBI, RIDGID ja AEG varasemete mudelite tarvikutega. RYOBI on ettevõtte Ryobi Limited litsentsi alusel kasutatav kaubamärk. RIDGID on ettevõtte Emerson Electric Co kaubamärk. AEG on ettevõtte AB Electrolux (publ) litsentsi alusel kasutatav registreeritud kaubamärk.
*Ühildub FEIN-tarvikuga. FEIN on ettevõtte C. & E. Fein GmbH kaubamärk.
*Ühildub DREMEL-tarvikuga. DREMEL on ettevõtte Robert Bosch Tool Corporation kaubamärk.

HR ADAPTER VIŠENAMJENSKOG ALATA

*Kompatibilno s ranijim generacijama pribora RYOBI, RIDGID ili AEG. RYOBI je žig koristen po licenci dobivenoj od tvrtke Ryobi Limited. RIDGID je žig tvrtke Emerson Electric Co. AEG je registrirano blagovajna znamka, lic. se uprablja z dovoljenjem podjelja AB Electrolux (publ).
*Kompatibilno s FEIN priborom. FEIN je žig tvrtke C. & E. Fein GmbH.
*Kompatibilno s DREMEL priborom. DREMEL je žig tvrtke Robert Bosch Tool Corporation.

SL VEČNAMENSKI ADAPTER

*Zdrumljivo s prejšnjimi generacijami dodatkov RYOBI, RIDGID ali AEG. RYOBI je blagovna znamka, ki se uporablja z dovoljenjem podjelja Ryobi Limited. RIDGID je blagovna znamka podjetja Emerson Electric Co. AEG je registrirana blagovajna znamka, ki se uporablja z dovoljenjem podjelja AB Electrolux (publ).
*Zdrumljivo z dodatki FEIN. FEIN je blagovna znamka podjetja C. & E. Fein GmbH.
*Zdrumljivo z dodatki DREMEL. DREMEL je blagovna znamka podjetja Robert Bosch Tool Corporation.

SK ADAPTER PRE VÍACÚČELOVÉ NÁRADIE

*Kompatibilné s predchádzajúcimi generáciami príslušenstva RYOBI, RIDGID a AEG. RYOBI je ochranná známka používaná na základe licencie od spoločnosti Ryobi Limited. RIDGID je ochranná známka spoločnosti Emerson Electric Co. AEG je registrovaná ochranná známka používaná na základe licencie od spoločnosti AB Electrolux (publ).
*Kompatibilný s príslušenstvom FEIN. FEIN je ochranná známka spoločnosti C. & E. Fein GmbH.
*Kompatibilný s príslušenstvom DREMEL. DREMEL je ochranná známka spoločnosti Robert Bosch Tool Corporation.

BG АДАПТЕР ЗА МНОГФУНКЦИОНАЛЕН ИНСТРУМЕНТ

*Съвместимо с по-стари поколения принадлежности за RYOBI, RIDGID или AEG. RYOBI е търговска марка, използвана под лиценз от Ryobi Limited. RIDGID е търговска марка на Emerson Electric Co. AEG е търговска марка, използвана под лиценз от AB Electrolux (publ).
*Съвместимо с аксесоари от FEIN. FEIN е търговска марка на C. & E. Fein GmbH.
*Съвместимо с аксесоари от DREMEL. DREMEL е търговска марка Robert Bosch Tool Corporation.

UK АДАПТЕР ДЛЯ БАГАТОФУНКЦИОНАЛЬНИХ ИНСТРУМЕНТІВ

*Сумісність з попередніми поколіннями аксесуарів RYOBI, RIDGID або AEG. RYOBI є зареєстрованою торговельною маркою, яка використовується за ліцензією Ryobi Limited. RIDGID є торговельною маркою Emerson Electric Co. AEG є зареєстрованою торговельною маркою, яка використовується за ліцензією AB Electrolux (publ).
*Сумісність з FEIN аксесуарями. FEIN є торговельною маркою C. & E. Fein GmbH.
*Сумісність із DREMEL аксесуарями. DREMEL є торговельною маркою Robert Bosch Tool Corporation.

TR ÇOK İŞLEVİLİ ALET ADAPTORÜ

*Daha önceki RYOBI, RIDGID veya AEG aksesuar modellerine uyumlu. RYOBI, Ryobi Limited lisanslı altında kullanılan bir ticari markadır. RIDGID, Emerson Electric Co şirketinin bir ticari markasıdır. AEG AB Electrolux (publ), lisanslı altında kullanılan bir ticari markadır.
*FEIN aksesuarlarıyla uyumlu. FEIN, C. & E. Fein GmbH şirketinin bir ticari markasıdır.
*DREMEL aksesuarlarıyla uyumlu. DREMEL, Robert Bosch Tool Corporation şirketinin bir ticari markasıdır.

EL ΠΡΟΣΑΡΜΟΓΕΑΣ ΠΟΛΥΕΡΓΑΛΕΙΟΥ

*Συμβατό με παλαιότερα μοντέλα εξαρτημάτων RYOBI, RIDGID, ή AEG. Το RYOBI αποτελεί εμπορικό σήμα που χρησιμοποιείται με την άδεια της Ryobi Limited. Το RIDGID αποτελεί εμπορικό σήμα της Emerson Electric Co. Το AEG αποτελεί εμπορικό σήμα που χρησιμοποιείται με την άδεια της AB Electrolux (όπου).
*Συμβατό με εξαρτήματα FEIN. Το FEIN αποτελεί εμπορικό σήμα της C. & E. Fein GmbH.
*Συμβατό με εξαρτήματα DREMEL. Το DREMEL αποτελεί εμπορικό σήμα της Robert Bosch Tool Corporation.



English	Français	Deutsch	Español	Italiano	Nederlands	Português
Product specifications	Caractéristiques de l'appareil	Produkt-Spezifikationen	Especificaciones del producto	Specifiche prodotto	Productspecificaties	Especificações do produto
Multi-tool	Outil multifonctions	Multi-Tool	Multiherramienta	Multi-utensile	Multiwerktuig	Multiferramenta
Model	Numéro de modèle	Modell	Marca	Marca	Merk	Marca
Input	Alimentation	Eingangsleistung	Tensión nominal	Alimentazione	Input	Admissão
Voltage	Tension	Spannung	Tensión	Voltaggio	Spanning	Voltagem
No-load speed	Vitesse à vide	Leerlaufdrehzahl	Velocidad sin carga	Velocità a vuoto	Onbelast toerental	Velocidade em vazio
Oscillation angle	Angle d'oscillation	Oszillationswinkel	Ángulo de oscilación	Angolo di oscillazione	Oscillerende hoek	Ângulo de oscilação
Cord length	Longueur du câble	Kabellänge	Longitud del cable	Lunghezza cavo	Snoerlengte	Comprimento do cabo
Weight (According to EPTA-Procedure 01/2003)	Poids (selon la procédure EPTA 01/2003)	Gewicht (Gemäß EPTA-Verfahren 01/2003)	Peso (Según el procedimiento EPTA 01/2003)	Peso (Secondo quanto indicato dalla EPTA-Procedure 01/2003)	Gewicht (Overeenkomstig de EPTA-procedure 01/2003)	Peso (De acordo com o Procedimento EPTA 01/2003)
Measured sound values determined according to EN 62841:	Valeurs du son mesuré déterminées selon EN 62841:	Gemäß EN 62841: gemessene Schallwerte	Valores medidos del sonido en función de la norma EN 62841:	Valori del suono misurati determinati secondo lo standard EN 62841:	Gemeten geluidswaarden bepaald in overeenstemming met EN 62841:	Valores medidos do som em função da norma EN 62841:
A-weighted sound pressure level	Niveau de pression sonore pondéré-A	A-bewerteter Schalldruckpegel	Nivel de presión acústica ponderada en A	Livello di pressione sonora pesato A	A-gewogen geluidsdrukniveau	Nível de pressão sonora ponderada A
Uncertainty K	Incertitude K	Unsicherheit K	Incertidumbre K	Incertezza K	Onzekerheid K	Incerteza K
A-weighted sound power level	Niveau de puissance sonore pondéré-A	A-bewerteter Schalleistungspegel	Nivel de potencia acústica ponderada en A	Livello di potenza sonora pesato A	A-gewogen geluidsniveau	Nível de potência sonora ponderada A
Uncertainty K	Incertitude K	Unsicherheit K	Incertidumbre K	Incertezza K	Onzekerheid K	Incerteza K
Weighted root mean	Valeur pondérée moyenne	Quadratischer Mittelwert	Valor medio ponderado	Valore quadratico medio ponderato	Gewogen gemiddelde	Média quadrática ponderada
The vibration total values (triaxial vector sum) determined according to EN 62841:	La valeur totale des vibrations (somme vectorielle triaxiale) a été déterminée selon EN62841:	Die Vibrationsgesamtwerte (triaxiale Vektorensomme) ermittelt nach EN62841:	Los valores de vibración total (suma de vectores triax.), determinado según la norma EN62841:	I valori totali delle vibrazioni (somma di vettori in tre direzioni) sono misurati conformemente alla norma EN62841:	De totale trillingswaarden (triaxiale vectorsom) vastgesteld in overeenstemming met EN62841:	Os valores totais de vibração (Soma vectorial triaxial) foram determinados de acordo com a norma EN 62841:
Vibration emission value	Valeur d'émission de vibrations	Vibrationsemissionswert	Valor de emisión de vibración	Valore di emissioni vibrazioni	Trillingsemissiewaarde	Valor de emissão de vibração
Sanding with sanding pad	Ponçage à l'aide d'un tampon abrasif	Schleifen mit dem Schleifpad	Lijar con lija	Levigatura con cuscinetto levigante	Schuren met schuurpad	Lixar com lixa
Uncertainty K	Incertitude K	Unsicherheit K	Incertidumbre K	Incertezza K	Onzekerheid K	Incerteza K
Cutting with 1/16" grout blade	Coupe avec une lame de descellement de 1/16"	Schneiden mit der 1/16" Fugenklinge	El corte con 1/16" hoja de argamasa	Taglio con lama per fughe e canali da 30 mm	Zagen met 1/16" voegmortelblad	Corte com 1/16" lâmina de argamassa
Uncertainty K	Incertitude K	Unsicherheit K	Incertidumbre K	Incertezza K	Onzekerheid K	Incerteza K
Cutting with 88-mm flush cut blade	Coupe avec une lame de coupe à fleur de 88 mm	Schneiden mit der 88 mm gekröpftes Sägeblatt	El corte con cuchilla de corte al ras 88 mm	Taglio con lama per tagli a livello da 88 mm	Zagen met 88 mm flushcut zaagblad	Corte com 88 mm de lâmina de corte rente
Uncertainty K	Incertitude K	Unsicherheit K	Incertidumbre K	Incertezza K	Onzekerheid K	Incerteza K
Cutting with 28-mm plunge cut blade	Coupe avec une lame de coupe plongeante de 28 mm	Schneiden mit dem 88 mm Sägeblatt für bündig sägen	El corte con cuchilla de corte de inmersión 28 mm	Taglio con lama per tagli di profondità da 28 mm	Zagen met 28 mm insteekzaagblad	Corte com 28 mm de lâmina de corte de chanfrar
Uncertainty K	Incertitude K	Unsicherheit K	Incertidumbre K	Incertezza K	Onzekerheid K	Incerteza K
Scrapping with 45-mm scraper blade	Décapage avec une lame grattoir 45 mm	Schaben mit dem 45 mm Schaber	Desguace con cuchilla raspadora 45 mm	Operazioni di raschiatura con lama per raschiatura da 45 mm	Schraperen met 45 mm schraperblad	Desfazer-se com raspador de 45 mm
Uncertainty K	Incertitude K	Unsicherheit K	Incertidumbre K	Incertezza K	Onzekerheid K	Incerteza K





Dansk	Svenska	Suomi	Norsk	Русский	Polski	
Produktspecifikationer	Produktspecifikationer	Tuotteen tekniset tiedot	Produktspezifikasjoner	Характеристики изделия	Parametry techniczne	
Multiværktøj	Flerfunktionsverktøy	Yleistyökalu	Multiverktoy	дрель с набором насадок	Narzędzie Uniwersalne	
Brand	Modellnummer	Mallinnumero	Merke	Марка	Numer modelu	RMT300
Strømforsyning	Matningsspänning	Virrankulutus	Input	Питание	Zasilanie	300 W
Spænding	Spänning	Jännite	Spenning	Напряжение	Napięcie	230 V ~ 50 Hz
Tomgangshastighed	Tomgångshastighet	Tyhjäkäyntinopeus	Hastighet ubelastet	Скорость на холостом ходу	Prędkość bez obciążenia	10000 - 20000 min ⁻¹
Oscillationsvinkel	Oscillationsvinkel	Oskillaatiokulma	Svingningsvinkel	Угол качания	Kąt oscylacji	3,2 °
Ledningslængde	Sladdlängd	Johdon pituus	Ledningslengde	Длина кабеля питания	Długość przewodu	2,5 m
Vægt (I henhold til EPTA-procedure 01/2003)	Vikt (Enligt EPTA 01/2003)	Paino (EPTA-menetelmän 01/2003 mukaan)	Vekt (I henhold til EPTA-prosedyre 01/2003)	Вес (Соответствует требованиям EPTA-Procedure 01/2003)	Waga (Zgodnie z procedurą EPTA 01/2003)	1,43 kg
Målte lydverdier bestemt iht. EN 62841:	Uppmätta ljudvärden enligt EN 62841:	Mitatut arvot määritetty EN 62841: standardin mukaan:	Målte lydverdier bestemt iht. EN 62841:	Измеренные значения параметров звука определены в соответствии с EN 62841:	Zmierzone wartości akustyczne zgodnie z normą EN 62841:	
A-vægtet lydtryksniveau	A-vägd ljudtrycksnivå	A-painotettu äänenpainetaso	A-vektet lydtryknivå	Уровень A-взвешенного звукового давления	A-ważony poziom ciśnienia hałasu	$L_{pA} = 87,0 \text{ dB(A)}$
Usikkerhed K	Osäkerhet K	Epätarkkuus K	Usikkerhet K	Разброс K	Niepewność pomiaru K	3 dB
A-vægtet lydeffektniveau	A-vägd ljudeffektsnivå	A-painotettu äänenteho	A-vektet lydeffektnivå	Уровень A-взвешенной звуковой мощности	A-ważony poziom natężenia hałasu	$L_{WA} = 98,0 \text{ dB(A)}$
Usikkerhed K	Osäkerhet K	Epätarkkuus K	Usikkerhet K	Разброс K	Niepewność pomiaru K	3 dB
Vægtet geometrisk middelværdi	Viktat medelvärde	Painotettu tehollisarvo	Målt effekt	Взвешенное среднее квадратичное	Średnia ważona	
Totale vibrationsværdier (triax vector sum) afgøres ifølge EN62841:	Det totala vibrationsvärdet (treaxelvektorsumma) är framtaget enligt EN62841:	Tärinin kokonaisarvot (kolmiakselinen vektorisumma) määritetty standardin EN62841 mukaisesti:	De totale vibrasjonsverdiene (triax vektor-sum) er fastsatt i henhold til EN62841:	суммарное значение вибрации (векторная сумма по трем координатам) определено в соответствии со стандартом EN62841:	Wartości sumaryczne drgań (suma wektorowa przyspieszeń mierzona czujnikiem typu triax) określone zgodnie z normą EN62841:	
Vibrations emissionsværdi	Vibrationsvärde	Tärinärvo	Vibrasjonsverdi	значение вибрации	Wartość emisji wibracji	
Slibning med slibepad	Slipning med slippatta	Hionta hiontatynnyllä	Sliping med slipeputer	Шлифовка шлифовальной насадкой	Szlifowanie przy użyciu tarczy szlifierskiej	$a_n = 3,4 \text{ m/s}^2$
Usikkerhed K	Osäkerhet K	Epätarkkuus K	Usikkerhet K	Погрешность K	Niepewność pomiaru K	1,5 m/s ²
Skæring med 1/16" fugeblad	Skära med 1/16" putsblad	Leikkaaminen 1/16" laastierällä	Kapping med 1/16-tommers fugemasseblad	Резка насадкой для удаления затирки 1/16 дюйма	Cięcie przy użyciu ostrza do zaprawy 1/16"	$a_n \leq 2,5 \text{ m/s}^2$
Usikkerhed K	Osäkerhet K	Epätarkkuus K	Usikkerhet K	Погрешность K	Niepewność pomiaru K	1,5 m/s ²
Skæring med 88 mm udjævningsblad	Skära med 88 mm skärblad	Leikkaaminen 88 mm:n tasaleikkuterällä	Kapping med 88 mm plankappingblad	Резка пыльным полотном для резки заподлицо 88 мм	Cięcie przy użyciu ostrza do cięcia brzegowego 88 mm	$a_n = 3,1 \text{ m/s}^2$
Usikkerhed K	Osäkerhet K	Epätarkkuus K	Usikkerhet K	Погрешность K	Niepewność pomiaru K	1,5 m/s ²
Skæring med 28 mm dyksavsklinge	Skära med 28 mm tillskärarblad	Leikkaaminen 28 mm:n uppoleikkuterällä	Kapping med 28 mm dypkappingblad	Резка погружным пыльным полотном 28 мм	Cięcie przy użyciu ostrza do cięcia wgłębnego 28 mm	$a_n = 3,2 \text{ m/s}^2$
Usikkerhed K	Osäkerhet K	Epätarkkuus K	Usikkerhet K	Погрешность K	Niepewność pomiaru K	1,5 m/s ²
Skrabning med 45 mm skrabblade	Skrapa med 45 mm blad	Kaapiminen 45 mm:n kaavinterällä	Skraping med 45 mm skrapeblad	Циклевание лезвием для циклевания 45 мм	Skrabanie przy użyciu skrobaka 45 mm	$a_n = 3,5 \text{ m/s}^2$
Usikkerhed K	Osäkerhet K	Epätarkkuus K	Usikkerhet K	Погрешность K	Niepewność pomiaru K	1,5 m/s ²





Čeština	Magyar	Română	Latviski	Lietuviškai	Eesti	Hrvatski
Technické údaje produktu	Termék műszaki adatai	Specificatiile produsului	Produkta specifikācijas	Gaminio techninės savybės	Toote tehnilised andmed	Specifikacije proizvoda
Víceúčelový Nástroj	Multiszerszám	Aparat Multifuncțional	Daudzfunkcionāls Instruments	Daugiafunkcis Įrankis	Mitmeetstarbeline Tööriist	Višenamjenski Alat
Značka	Márka	Număr serie	Modeja numurs	Prekės ženklas	Mark	Marka
Vstup	Bemenet	Intrare	Ieeja	Įvestis	Vooluvõrk	Ulaz
Elektrické napětí	Feszültség	Tensiune	Spriegums	Įtampa	Pinge	Napon
Otáčky naprázdno	Üresjárati fordulatszám	Viteză în gol	Apgrīezieni bez slodzes	Greitis be apkrovimo	Kiirus ilma koormusega	Brzina bez opterećenja
Oscilační úhel	Oscilláció szöge	Unghi de oscilație	Svārstību leņķis	Vīrpesių kampas	Võnkliikumise nurk	Kut oscilacije
Délka kabelu	Kábel hossza	Lungime cablu	Kabeļa garums	Laido ilgis	Toitejuhtme pikkus	Duljina kabela
Hmotnost (Dle protokolu EPTA 01/2003)	Tömeg (A 01/2003 EPTA-eljárás szerint)	Greutate (în conformitate cu Procedura EPTA din 01/2003)	Svars (Saskaņā ar EPTA procedūru 01/2003)	Svoris (Pagal Europos elektrinių įrankių asociacijos (EPTA) nustatytą tvarką 01/2003)	Mass (Vastavalt EPTA-protseduurile 01/2003)	Težina (Prema EPTA-postupku 01/2003)
Naměřené hodnoty hluku zjištěné dle EN 62841:	A hang értékek meghatározása az EN 62841: szerint történt:	Valori de sunet măsurate determinate în conformitate cu EN 62841:	Izmērtās skaņas vērtības ir noteiktas saskaņā ar EN 62841:	Išmatuotos garso vertės nustatytos pagal EN 62841:	Mõõteväärtused on kindlaks määratud vastavalt standardile EN 62841:	Mjerena vrijednost zvuka određena je prema EN 62841:
Hladina akustického tlaku vážená funkcí A	A-súlyozott hangnyomásszint	Nivel de presiune acustică ponderată A	A-līmeņa skaņas spiediena līmenis	A svertinis garso slėgio lygis	A-kaalutud helirõhka tase	Ponderirana razina tlaka zvuka
Nejistota K	Bizonytalanság K	Incertitudine K	Kļūdas vērtība K	Nepastovumas K	Mõõtemääramatus K	Neodređenost K
Hladina akustického výkonu vážená funkcí A	A-súlyozott hangteljesítményszint	Nivel de putere acustică ponderată A	A-līmeņa skaņas jaudas līmenis	A svertinis garso galios lygis	A-kaalutud helivõimsuse tase	Ponderirana razina zvučne snage
Nejistota K	Bizonytalanság K	Incertitudine K	Kļūdas vērtība K	Nepastovumas K	Mõõtemääramatus K	Neodređenost K
Střední posuzovaná hodnota	Súlyozott négyzetes átlag	Rădăcina medie măsurată	Svērtais pamata līdzeklis	Pagrindo svoris vidurkis	Kaalutud ruutkeskmine väärtus	Ponderirana energetska vrijednost
Celkové hodnoty vibrací (třísavé vektorový součet) určené v souladu s EN62841:	Vibráció teljes értékei (háromtengelyű vektorösszeg), az EN 62841 szerint meghatározza:	Valorile totale ale vibrațiilor (suma vectorială a trei direcții) au fost determinate conform EN62841:	Vibrāciju kopējās vērtības (trīsasu vektoru summa) tiek noteiktas atbilstoši EN62841:	Bendros vibracijos vertės (trikampio vektorių suma) nustatomos pagal EN62841:	Vibratsiooni koguväärtused (kolme suuna vektorisumma) on vastavalt standardile EN 62841 määratud järgmiselt:	Ponderirana energetska vrijednost Ukupne vrijednosti vibracija (troosni vektorski zbir) određuju se u skladu s EN62841:
Hodnota vibračních emisí	A vibrációikibocsátás értéke	Valoarea vibrațiilor generate	Vibrāciju emisijas vērtība	Vibrācijas emisijas vērtē	On vibratsiooni väärtus	Emisija vibracija vrijednosti
Broušení brusnou podložkou	Csiszolás csiszolópárnával	Șlefuire cu talpă de șlefuire	Stīpēšana ar stīpēšanas pamatni	Šlifavimas šlifavimo popieriaus lapelių	Lihvimine lihvimispadjaga	Brušenje s abrazivnim jastučićima
Nejistota K	Bizonytalanság K	Incertitudine K	NeNOTEIKTĪBA K	Nepastovumas K	Määramatus K	Neodređenost K
Řezání pomocí čepele na rytí 1/16"	Vágás az 1/16" fugakéssel	Tăiere cu lamă răzuire tenucială 1/16".	Griešana ar 1/16" javas noņemšanas asmeni	Pjovimas 1/16 colių skiedinio geležte	Lõikamine krohviteraga 1/16"	Rezanje s 1/16" oštricom za skidanje taloga
Nejistota K	Bizonytalanság K	Incertitudine K	NeNOTEIKTĪBA K	Nepastovumas K	Määramatus K	Neodređenost K
Řezání pomocí čepele pro rovné řezání 88 mm	Vágás a 88 mm-es szintbevágó késsel	Tăiere cu lamă tip netezire de 88 mm.	Griešana ar 88 mm griešanas asmeni	Pjovimas 88 mm tiesaus pjovimo geležte	Lõikamine tasalõiketeraga 88 mm	Rezanje s 88 mm ravnom oštricom
Nejistota K	Bizonytalanság K	Incertitudine K	NeNOTEIKTĪBA K	Nepastovumas K	Määramatus K	Neodređenost K
Řezání pomocí čepele pro zapichovací řezy 28 mm	Vágás a 28 mm-es beszúró vágókéssel	Tăiere cu lamă tip decupare 28 mm	Griešana ar 28 mm iegremdējamo asmeni	Pjovimas 28 mm kertamojo pjovimo geležte	Lõikamine avalõiketeraga 28 mm	Rezanje s 28 mm oštricom za zareživanje
Nejistota K	Bizonytalanság K	Incertitudine K	NeNOTEIKTĪBA K	Nepastovumas K	Määramatus K	Neodređenost K
Škrabání škrabkou 45 mm	Kaparás a 45 mm-es kaparókéssel	Răzuire cu lamă de răzuire 45 mm	Skrāpēšana ar 45 mm skrāpēšanas asmeni	Grandymas 45 mm grandymo geležte	Kaabitsemine kaabitsaga 45 mm	Grebanje s oštricom od 45 mm
Nejistota K	Bizonytalanság K	Incertitudine K	NeNOTEIKTĪBA K	Nepastovumas K	Määramatus K	Neodređenost K





Slovensko	Slovenčina	България	Українська мова	Türkçe	Ελληνικά	
Specifikacije izdelka	Špecifikácie produktu	Технически характеристики	Технічні характеристики продукту	Ürün Özellikleri	Προδιαγραφές Προϊόντος	
Večnamensko Orodje	Viácúelový Nástroj	Мульти-инструмент	Мультиінструмент	Çok Amaçlı Alet	Πολυεργαλείο	
Znamka	Značka	Модел	Модель	Marka	Μάρκα	RMT300
Vhod	Vstup	Вход	Питание	Giriş	Είσοδος ρεύματος	300 W
Napetost	Napätie	Напряжение	Напруга	Gerilim	Τάση	230 V ~ 50 Hz
Hitrost brez obremenitve	Otáčky bez zaťaženia	Скорост на празен ход	Швидкість без навантаження	Bota hız	Ταύτητα στ κεν	10000 - 20000 min ⁻¹
Kot vrtenja	Oscilačný uhol	Ъгъл на трептене	Кут коливання	Salinim açısı	Γωνία ταλάντωσης	3,2 °
Dožina kabla	Dĺžka kábla	Дължина на кабела	Довжина шнура	Kablo uzunluğu	Μήκος καλωδίου	2,5 m
Teža (Skladno s postopkom EPTA 01/2003)	Hmotnosť (Podľa EPTA-Procedure 01/2003)	Тегло (според процедурата на EPTA 01/2003)	Вага (відповідно до процедури EPTA 01/2003)	Ağırlık (EPTA- Prosedürü 01/2003'e göre)	Βάρος (Σύμφωνα με την Διαδικασία EPTA 01/2003)	1,43 kg
Izmerjene zvočne vrednosti določene v skladu s standardom EN 62841:	Namerané hodnoty určené podľa EN 62841:	Измерените стойности на звука са определени в съответствие с EN 62841:	Вимірні значення шуму визначаються відповідно до EN 62841:	EN 62841: e göre hesaplanmış ses değerleri:	Μετρημένες τιμές ήχου σύμφωνα με το EN 62841:	
A-izmerjena raven zvočnega tlaka	Vážená A hladina akustického tlaku	Ниво на шумово налягане с равнище А	А-зважений рівень звукового тиску	A ağırlıklı ses basıncı seviyesi	Α-σταθμισμένο επίπεδο πίεσης ήχου	$L_{pA} = 87,0 \text{ dB(A)}$
Nedoloč. K	Odhýlka K	Променливост (K)	Невизначеність K	Belirsizlik K	Αβεβαιότητα K	3 dB
A-izmerjena raven zvočne moči	Vážená A hladina akustického výkonu	Ниво на силата на шума с равнище А	А-зважений рівень звукової потужності	A ağırlıklı ses gücü seviyesi	Α-σταθμισμένο επίπεδο έντασης ήχου	$L_{WA} = 98,0 \text{ dB(A)}$
Nedoloč. K	Odhýlka K	Променливост (K)	Невизначеність K	Belirsizlik K	Αβεβαιότητα K	3 dB
Povprečna efektivna vrednost	Zátažová efektivná hodnota	Претеглена средноквадратична стойност	Виважене середньоквадратичне	Ağırlıklı ortalama	Σταθμισμένη ενεργή τιμή	
Skupna vrednost vibracij (vektorska vsota treh smeri) določena v skladu z EN62841:	Celkové hodnoty vibrácií (súhrn triaxiálneho vektora) určuje norma EN62841:	Общата стойност на вибрациите (триосна векторна сума) е определена в съответствие с EN 62841:	Загальне значення вібрації (триаксіальна векторна сума) визначається відповідно до EN 62841:	EN 62841 normuna uygun olarak belirlenmiş titreşim toplama değerleri (triaksi vektör toplama):	Συνολικές αξίες κραδασμών (τρισδιάστατο διανυσματικό άθροισμα) σύμφωνα με EN62841:	
Vrednost emisije vibracij	Hodnota emisij vibrácií	Стойност на вибрационните емисии	Рівень емісії вібрації:	Titreşim emisyon değeri	Τιμή εκπομπής κραδασμών	
Brušenje z brusno blazinico	Brúsenie s brúsnou poločkou	Шлифоване с шлифовъчна подложка	Шліфування зі шліфувальним кругом	Zımpara kağıdıyla zımparalama	Λείανση με γυαλόχαρτο	$a_n = 3,4 \text{ m/s}^2$
Negotovost K	Neurčitost K	Променливост (K)	Невизначеність K	Belirsizlik K	Αβεβαιότητα K	1,5 m/s ²
Rezanje z 1/16" rezilom za fuge	Rezanie s 1/16" injektážnym požom	Рязане с 1/16" острие за премахване на материал от фуги	Рязання з 1/16" лезом для затирання	1/16" derz bıçağı ile kesim	Κοπή με λεπίδα 1/16" κοιμαμάτων	$a_n \leq 2,5 \text{ m/s}^2$
Negotovost K	Neurčitost K	Променливост (K)	Невизначеність K	Belirsizlik K	Αβεβαιότητα K	1,5 m/s ²
Rezanje z 88 mm rezilom za ravne reze	Rezanie s 88 mm ostrím na úrovňové rezy	Рязане с 88-мм острие за рязане наравно	Рязання з 88 мм лезом для прямого зрізу	88 mm düzleme kesim bıçağı ile kesim	Αποκοπή με λεπίδα 88 mm	$a_n = 3,1 \text{ m/s}^2$
Negotovost K	Neurčitost K	Променливост (K)	Невизначеність K	Belirsizlik K	Αβεβαιότητα K	1,5 m/s ²
Rezanje z 28 mm rezilom za potopne reze	Rezanie s 28 mm ostrím na zapichovacie rezy	Рязане с 28-мм острие за рязане с врязане	Рязання з 28 мм лезом для врязання	28 mm daldırma kesim bıçağı ile kesim	Κοπή σε βάθος με λεπίδα 28 mm	$a_n = 3,2 \text{ m/s}^2$
Negotovost K	Neurčitost K	Променливост (K)	Невизначеність K	Belirsizlik K	Αβεβαιότητα K	1,5 m/s ²
Strganje s 45 mm rezilom za strganje	Stieranie so 45 mm stieracím požom	Шаброване с 45-мм шабър	45 мм лезо для шабрування	Scrapping with 45-mm scraper blade	Διάλυση με λεπίδα 45 mm	$a_n = 3,5 \text{ m/s}^2$
Negotovost K	Neurčitost K	Променливост (K)	Невизначеність K	Belirsizlik K	Αβεβαιότητα K	1,5 m/s ²





English	Français	Deutsch	Español	Italiano	Nederlands	Português
Replacement parts	Pièces de Rechange	Ersatzteile	Piezas de repuesto	Parti di ricambio	Vervangonderdelen	Peças de substituição
28-mm Plunge cut blade	Lame pour coupe plongeante 28 mm	28 mm Sägeblatt für Tauchschnitt	28-mm Plunge cut blade	28-mm Plunge cut blade	Lama per tagli a immersione da 28 mm	Lâmina para cortes de rebarba de 28 mm
88-mm Flush cut blade	Lame pour coupe à fleur 88 mm	88 mm Sägeblatt für bündiges Sägen	88-mm Flush cut blade	88-mm Flush cut blade	Lama per tagli in linea da 88 mm	Lâmina para corte liso de 88 mm
1/16" Grout blade	Coupe avec une lame de descellement de 1/16"	1/16" Fugenklinge	1/16" Grout blade	1/16" Grout blade	Lama per operazioni di rimozione rivestimenti 1,6 mm	Lâmina para argamassa fina 1,6 mm
45-mm Scraper blade	Lame Grattoir 45 mm	45 mm Schaber	45-mm Scraper blade	45-mm Scraper blade	Lama per operazioni di raschiatura 45 mm	Lâmina para raspagem 45 mm



Čeština	Magyar	Română	Latviski	Lietuviškai	Eesti	Hrvatski
Náhradní díly	Cserealkatrészek	Piese de schimb	Rezerves daļas	Atsarginės detalės	Asendusosad	Zamjena dijelova
28 mm zanořovací řezný kotouč	28 mm Szúrógégő fürészlap	Lamă pentru tăiere plonjată/decupare 28 mm	28 mm iegremdējamaš asmens	28 mm stumiamojo pjovimo geležtė	28 mm avalõiketera	Oštrica za prividni rez 28 mm
88 mm ořezávací pilový kotouč na dřevo a kov	88 mm Sikba vágó fürészlap	Lamă pentru tăiere de nivelare 88 mm	88 mm nogriešanas asmens	88 mm pjovimo vienu lygiu geležtė	88 mm tasalõiketera	Oštrica za ravni rez 88 mm
1,6 mm Spárovací kotouč	1,6 mm Habarcseltávolító kés	1,6 mm Lamă de îndepărtare tencuială.	1/16 collām (1,6 mm) Javas noņemšanas asmens	1/16 colių skiedinio geležtė	1/16" (1,6 mm) Krohvitara	Oštrica za skidanje taloga 1,6 mm
45 mm Škrabací nůž	45 mm Kaparókés	Lamă de răzuire 45 mm	45 mm Skrāpja asmens	45 mm grandymo geležtė	45 mm Kaabits	Oštrica za grebanje 45 mm





Dansk	Svenska	Suomi	Norsk	Русский	PolSKI	
Reservedele	Utbytesdelar	Varaosat	Reservedeler	Запасные части	Części zamienne	
28 mm lommessnitklinge	28 mm sågblad	28 mm:n upotusleikkausterä	28 mm Blad for dykkutt	Погружное пильное полотно 28 мм	28 mm Ostrze do cięcia wgłębneho	RAK15MT
88 mm udglathingsklinge	88 mm sågblad	88 mm:n tasasaumaterä	88 mm Blad for skjult saging	Пильное полотно для резки заподлицо 88 мм	88 mm Ostrze do cięcia brzegowego	RAK15MT
1,6 mm fugeblad	1,6 mm Putsskrapblad	1,6 mm Laastiterä	1,6 mm Sementfjernerblad	Насадка для удаления цементного раствора 1,6 мм	1,6 mm Ostrze do cementu	RAK05MT
45 mm Skraberblad	45 mm Skrapblad	45 mm:n Kaavinterä	45 mm Skrapeblad	Скребок 45 мм	45 mm Ostrze do skrobania	RAK05MT



Slovensko	Slovenčina	България	Українська мова	Türkçe	Ελληνικά	
Nadomestni deli	Náhradné diely	Резервни части	Запасні частини	Yedek parçalar	Ανταλλακτικά	
28 mm potopno rezilo	28 mm ostrie na zapichovacie rezy	28-мм острие за обработване чрез врязване	28 мм Полотно для врязання	28 mm Sarplamali Kesme Biçacağı	Λεπίδα κοπής βύθισης 28 mm	RAK15MT
88 mm prebodno rezilo	88 mm ostrie na úrovňové rezy	88-мм острие за рязане наравно	88 мм Полотно для прямого зрізу	88 mm Kenar Kesme Biçacağı	Λεπίδα ευθείας κοπής 88 mm	RAK15MT
1/16" (1,6 mm) Rezilo za malto	1,6 mm (1/16") Injektážny nôž	1/16" острие за премахване на материал от фуги	1/16" Полотно для затирання	1,6 mm Derz açma biçacağı	Λεπίδα αρμολόγησης 1,6 mm	RAK05MT
45 mm Strgalno rezilo	45 mm Stieraci nôž	45-мм шабър	45 мм лезо для шабрування	45 mm Kazima biçacağı	Λεπίδα ξυσίματος 45 mm	RAK05MT





EN WARNING

The vibration emission level given in this information sheet has been measured in accordance with a standardised test given in EN 62841 and may be used to compare one tool with another. It may be used for a preliminary assessment of exposure. The declared vibration emission level represents the main applications of the tool. However if the tool is used for different applications, with different accessories or poorly maintained, the vibration emission may differ. This may significantly increase the exposure level over the total working period.

An estimation of the level of exposure to vibration should also take into account the times when the tool is switched off or when it is running but not actually doing the job. This may significantly reduce the exposure level over the total working period. Identify additional safety measures to protect the operator from the effects of vibration such as: maintain the tool and the accessories, keep the hands warm, organisation of work patterns.

FR AVERTISSEMENT

Le niveau d'émission des vibrations indiqué dans cette feuille d'information a été mesuré en concordance avec un test normalisé fourni par EN62841 et peut être utilisé pour comparer un outil à un autre. Il peut être utilisé pour une évaluation préliminaire de l'exposition. Le niveau déclaré d'émission des vibrations s'applique à l'utilisation principale de l'outil. Toutefois, si l'outil est utilisé pour des applications différentes, avec des accessoires différents, ou mal entretenu, l'émission de vibrations peut être différente. Le niveau d'exposition peut en être augmenté de façon significative tout au long de la période de travail.

Une estimation du niveau d'exposition aux vibrations doit aussi prendre en compte les périodes où l'outil est arrêté ainsi que les périodes où il fonctionne sans vraiment travailler. Le niveau d'exposition pendant la durée totale du travail peut en être réduit de façon significative. Prenez en considération les mesures additionnelles de sécurité à prendre pour protéger l'opérateur des effets des vibrations telles que: maintien de l'outil et de ses accessoires, maintien des mains au chaud, organisation du travail.

DE WARNUNG

Der in diesem Informationsblatt genannte Schwingungspegel wurde entsprechend dem standardisierten Test von EN62841 gemessen und kann benutzt werden um das Werkzeug mit anderen zu vergleichen. Er kann benutzt werden, um eine vorausgehende Einschätzung der Exposition durchzuführen. Der genannte Schwingungspegel repräsentiert den Haupteinsatzbereich des Werkzeugs. Jedoch kann das Werkzeug für verschiedene Einsatzbereiche benutzt werden. Mit unterschiedlichen Zusatzgeräten oder bei schlechter Wartung kann der Schwingungspegel unterschiedlich sein. Dadurch kann die Expositionshöhe über die gesamte Arbeitszeit signifikant erhöht werden.

Eine Einschätzung der Exposition zu Schwingungen sollte auch die Zeiten wenn das Werkzeug ausgeschaltet ist, oder wenn es angeschaltet aber nicht in Betrieb ist, in Betracht ziehen. Dadurch kann die Expositionshöhe über die gesamte Arbeitszeit signifikant reduziert werden. Identifizieren Sie zusätzliche Sicherheitsmaßnahmen um die Bedienungsperson vor den Effekten der Schwingungen zu schützen, wie zum Beispiel: Das Werkzeug und Zusatzgeräte warten, Hände warmhalten und Organisation der Arbeitszeiten.

ES ADVERTENCIA

El nivel de emisión de las vibraciones que figura en esta hoja de información se ha medido según una prueba estandarizada que figura en EN62841 y puede ser utilizado para comparar una herramienta con otra. Puede ser utilizado para una evaluación preliminar de la exposición. El nivel de emisión de las vibraciones declarado representa las principales aplicaciones de la herramienta. No obstante, si la herramienta se utiliza para diferentes aplicaciones, con diferentes accesorios o no recibe el mantenimiento adecuado, la emisión de las vibraciones puede ser diferente. Esto puede aumentar significativamente el nivel de exposición durante el período de trabajo total.

Una estimación del nivel de exposición a la vibración también debe tener en cuenta el tiempo en el que la herramienta está desconectada o cuando está conectada pero no está realizando ningún trabajo. Esto puede reducir significativamente el nivel de exposición durante el período de trabajo total. Identificar las medidas de seguridad adicionales para proteger al operador de los efectos de las vibraciones, tales como: mantenimiento de la herramienta y de los accesorios, y la organización de los patrones de trabajo.

IT AVVERTENZE

Il livello di vibrazioni indicato in questo foglio informativo è stato misurato seguendo un test svolto secondo i requisiti indicati dallo standard EN62841 e potrà essere utilizzato per paragonare un utensile con un altro. Potrà essere utilizzato per una valutazione preliminare dell'esposizione a vibrazioni. Il livello dichiarato di emissioni di vibrazioni viene indicato tenendo conto delle applicazioni principali dell'utensile. Comunque se l'utensile viene utilizzato per applicazioni diverse con accessori diversi o non viene correttamente conservato, il livello delle vibrazioni potrà variare. Ciò potrà significativamente aumentare il livello di esposizione alle vibrazioni durante il periodo di lavoro totale.

Una valutazione del livello di esposizione alle vibrazioni dovrà inoltre prendere in considerazione i tempi in cui l'utensile viene spento o è acceso ma non viene utilizzato. Ciò potrà significativamente ridurre il livello di esposizione in un periodo totale di funzionamento. Ulteriori misure di sicurezza per proteggere l'operatore dagli effetti delle vibrazioni come: conservare correttamente l'utensile e i suoi accessori, tenere le mani calde e organizzare i tempi di lavoro.

NL WAARSCHUWING

Het trillingsemissieniveau dat op dit informatieblad wordt gegeven, is gemeten in overeenstemming met een gestandaardiseerde test, vastgelegd in EN62841 en mag worden gebruikt om machines met elkaar te vergelijken. Het verklaarde trillingsemissieniveau geeft de hoofdtoepassing van het gereedschap weer. Als de machine echter voor andere toepassingen of met andere accessoires wordt gebruikt of slecht wordt onderhouden, kan de trillingsemisie verschillen. Dit kan de blootstelling gedurende de gehele werkduur aanzienlijk verhogen.

Bij een schatting van het niveau van blootstelling aan trillingen moet ook rekening worden gehouden met het aantal keren dat de machine wordt uitgeschakeld of draait, maar niet wordt gebruikt. Dit kan het niveau van blootstelling gedurende de gehele werkduur aanzienlijk verlagen. Stel bijkomende veiligheidsmaatregelen op om de gebruiker tegen de gevolgen van trillingen te beschermen: zoals onderhouden het gereedschap en de accessoires, houd de handen warm, de organisatie van werktijden.

PT AVISO

O nível de emissão de vibrações fornecido nesta folha de informações foi medido em conformidade com o teste uniformizado descrito em EN62841 e pode ser usado para comparar uma ferramenta com outra. Este pode ser usado para uma avaliação preliminar da exposição. O nível de emissão de vibração declarado refere-se à aplicação principal da ferramenta. Contudo, se a ferramenta for usada para aplicações diferentes, com acessórios diferentes ou não for devidamente mantida, a emissão de vibrações pode diferir. Isto pode fazer aumentar significativamente o nível de exposição ao longo do período de trabalho total.

Uma estimativa do nível de exposição às vibrações deve ter, também, em consideração o tempo durante o qual a ferramenta está desligada ou em que está ligada mas não está a realizar qualquer trabalho. Isto pode reduzir significativamente o nível de exposição durante o período total de trabalho. Identifique medidas adicionais de segurança que protejam o operário dos efeitos da vibração como a manutenção da ferramenta e dos acessórios, a manutenção das mãos quentes e a organização de padrões de trabalho.

DA ADVARSEL

Det angivne niveau for vibrationsemission på denne oplysningside er blevet målt iht. en standardtest ifølge EN62841 og kan bruges til at sammenligne værktøjer indbyrdes. Det kan bruges til en foreløbig eksponeringsvurdering. Det opgivne niveau for vibrationsemission gælder, når værktøjet bruges til sit hovedformål. Men hvis værktøjet bruges til andre formål, med forskelligt eller med dårligt vedligeholdet ekstraudstyr, kan vibrationsemissionen variere. Dette kan medføre en betragtelig stigning i eksponeringsniveauet set over hele arbejdsperioden.

Et skøn over niveauet for vibrationseksponering bør også tage højde for de perioder, hvor værktøjet er slukket, eller hvor det er tændt uden faktisk at være i brug. Dette kan medføre en betragtelig reduktion i eksponeringsniveauet set over hele arbejdsperioden. Træf ekstra sikkerhedsforanstaltninger til beskyttelse af operatøren mod virkningerne fra vibrationen som fx: vedligeholdelse værktøj og ekstraudstyr, holde hænderne varme, organisere arbejdsmonstre.





SV VARNING

Vibrationsnivåerna som uppges i det här dokumentet har uppmäts i enlighet med ett standardiserat test som beskrivs i EN62841 och som kan användas för att jämföra verktyg. Det kan användas som en preliminär bedömning av den vibration som användaren utsätts för. De deklarerade vibrationsvärdena motsvarar de som uppstår när verktyget används i sitt huvudsyfte. Om verktyget används i andra syften, med andra tillbehör eller om verktyget är dåligt underhållet kan vibrationsnivåerna vara annorlunda. Det kan kraftigt öka vibrationsnivåerna över den totala arbetsperioden.

En uppskattning av vibrationsnivåerna som användaren utsätts för ska också ta hänsyn till de stunder då verktyget är avstängt och när det går på tomgång. Detta kan kraftigt minska vibrationsnivåerna över den totala arbetsperioden. Andra säkerhetsåtgärder som kan skydda användaren från effekterna av vibrationer är: underhållning av verktyget och tillbehören, hålla händerna varma och organisera arbets sättet.

FI VAROITUS

Tämän tiedotteen tärinäto on mitattu EN62841-standardien mukaisilla testeillä, ja niitä voidaan käyttää verrattaessa laitetta toiseen. Sitä voidaan käyttää arvioitaessa tärinävaikutusta. Ilmoitettu tärinäto vastaa laitteen pääasiallista käyttötarkoitusta. Jos laitetta kuitenkin käytetään muuhun tarkoitukseen, muilla lisälaitteilla tai huonosti huolletuna, tärinäto saattaa poiketa ilmoitetusta arvosta. Tämä voi kasvatata kokonaisaltistumista huomattavasti koko työjakson kuluessa.

Tärinän altistumistasoa arvioitaessa tulee huomioida ajat, jolloin laite on sammutettu tai kun se on käynnissä, mutta sitä ei käytetä varsinaiseen työskentelyyn. Tämä voi vähentää kokonaisaltistumista huomattavasti koko työjakson kuluessa. Käytä muitakin suojauskeinoja turvataksesi käyttäjän tärinävaikutukselta, kuten: huolla laite ja lisälaitteet, pidä kätesi lämpiminä, organisoi työnkulku.

NO ADVARSEL

Vibrasjonsnivået som oppgis på dette informasjonsarket er målt i henhold til en standardisert test gitt i EN62841 og kan brukes til å sammenligne ett verktøy med et annet. Det kan brukes til en foreløpig vurdering av eksponering. Det erklærte vibrasjonsnivået representerer hovedanvendelsen for verktøyet. Dersom verktøyet brukes for andre anvendelser, med forskjellige tilbehør eller med dårlig vedlikehold, vil vibrasjonsnivået kunne være annerledes. Det kan gi en betydelig økning av eksponeringsnivået over den totale arbeidsperioden.

En beregning av nivået for eksponering til vibrasjoner må også ta hensyn til den tiden verktøyet er slått av eller er i gang men ikke i faktisk bruk for å utføre den tiltenkte oppgaven. Dette kan gi en betydelig økning av eksponeringsnivået over den totale arbeidsperioden. Identifiser ytterligere sikkerhetstiltak for å beskytte den som bruker verktøyet fra virkningen av vibrasjoner, tiltak som: Vedlikehold verktøyet og tilbehøret, hold hendene varme, organiser arbeidsmetodene.

RU ОСТОРОЖНО!

Уровень вибрации, приведенный в данном справочном листе, измерен согласно стандартизованным испытаниям, определенным в EN62841 и может использоваться для сравнения различных инструментов. Значение уровня может использоваться для предварительной оценки влияния вибрации. Заявленный уровень вибрации действителен для основного применения инструмента. Однако, если инструмент используется для других целей, с другими приспособлениями, или плохо обслуживается, уровень вибрации может отличаться от указанного. Это может значительно увеличить величину воздействия за общее время работы.

При оценке уровня воздействия вибрации следует также принять во внимание время простоя и холостой ход (когда инструмент выключен и когда включен, но работа не производится). Эти факторы могут значительно уменьшить величину воздействия вибрации за общее время работы. Определите дополнительные меры безопасности, защищающие работающего от влияния вибрации: техническое обслуживание инструмента и принадлежностей, недопущение охлаждения рук, соответствующие приемы и расписание работы.

PL OSTRZEŻENIE

Deklarowany poziom drgań został zmierzony za pomocą standardowej metody pomiaru określonej normą EN62841 i jego wyniki mogą służyć do porównywania tego urządzenia z innymi. Deklarowana wartość drgań może służyć do wstępnej oceny narażenia operatora na drgania. Deklarowany poziom drgań dotyczy podstawowych zastosowań urządzenia. Jednak w przypadku użycia urządzenia do innych zastosowań, z innymi przystawkami lub w przypadku niewłaściwego stanu technicznego urządzenia poziom drgań może odbiegać od deklarowanego. Może być to przyczyną zwiększenia stopnia narażenia operatora na drgania w całym okresie wykonywania pracy.

Podczas oceny narażenia na drgania należy również uwzględnić czas wyłączenia urządzenia oraz czas, w którym urządzenie jest włączone, jednak praca nie jest wykonywana. Czas te mogą znacznie zmniejszyć stopień narażenia operatora na drgania w całym okresie wykonywania pracy. Należy określić dodatkowe środki ochrony operatora przed skutkami drgań, przykładowo: dbać o stan techniczny urządzenia i przystawek, dbać o zachowanie ciepłoty dłoni, odpowiednio zorganizować harmonogram wykonywania prac.

CS VAROVÁNÍ

Hodnota vibračních emisí uvedená v tomto informačním listu byla naměřena standardizovaným testem podle EN62841 a ji použít k porovnání s hodnotami jiných nástrojů. Může se používat k předběžnému odhadu vystavování vibračím. Uznaná hodnota vibračních emisí reprezentuje hlavní použití nástroje. Nicméně pokud se nástroj používá pro jiné použití, s různými doplňky nebo se nedostatečně neudržuje, mohou se vibrační emise lišit. Toto může výrazně zvýšit úroveň vystavení nad celkové pracovní období.

Odhad úrovně vystavení vibračím by měl vzít taktéž v potaz časy, kdy je chvění vypnuto, nebo když přístroj běží, ale nevykonává práci. Toto může výrazně snížit úroveň vystavení nad celkové pracovní období. Určete doplňující bezpečnostní opatření pro ochranu obsluhy před různými vibračím, například: Udržujte nástroj a doplňky, udržujte ruce v teple, organizujte pracovní schéma.

HU FIGYELMEZTÉTES

A vibráció-kibocsátás adattalapon megadott értéke az EN62841 által meghatározott szabványosított mérési eljárás szerint lett megmértve, amely lehetővé teszi a különböző szerszámok összehasonlítását. Használható a kitettség előzetes felmérésére is. A nyilatkozatban szereplő kibocsátási érték a szerszám főbb alkalmazási területeire vonatkozik. Ugyanakkor, ha a szerszám más alkalmazásokra, más kiegészítőkkel használják vagy rosszul tartják karban, a vibráció-kibocsátás értéke ettől eltérő is lehet. Ez jelentősen növelheti a kitettség szintjét a gép teljes használati időtartama során.

A vibrációnak való kitettség szintjének becslésekor figyelembe kell venni azokat az időintervallumokat is, amikor a szerszám ki van kapcsolva, vagy működik, de nem végeznek munkát vele. Ez jelentősen csökkentheti a kitettség szintjét a gép teljes használati időtartama során. Tegyen további óvintézkedéseket a kezelő vibrációval szembeni megvédése érdekében: tartsa karban a szerszámot és a tartozékokat, tartsa melegen a kezét, tervezzék meg a munkafolyamatot.

RO AVERTISMENT

Nivelul emisiilor de vibrații prezentat în cadrul acestei fișe cu informații a fost măsurat în conformitate cu un test standardizat furnizat în EN62841 și poate fi folosit la a compara o unealtă cu o alta. Poate fi folosit la o evaluare preliminară a expunerii. Nivelul declarat al emisiilor de vibrații reprezintă aplicațiile principale ale uneltei. Cu toate acestea, în cazul în care unealta este utilizată pentru aplicații diferite, cu accesorii diferite sau întreținute necorespunzător, emisiile de vibrații pot diferi. Acestea pot crește semnificativ nivelul de expunere pe întreaga perioadă de lucru.

O estimare a nivelului de expunere la vibrații trebuie, de asemenea, să țină cont de tălțile în care unealta este oprită sau de tălțile în care aceasta funcționează fără a efectua propriu-zis sarcina de lucru. Acestea pot reduce semnificativ nivelul de expunere pe întreaga perioadă de lucru. Identificați măsurile de siguranță suplimentare pentru a proteja operatorul de efectele vibrațiilor, precum: întreținerea uneltei și a accesoriilor, păstrarea mâinilor calde, organizarea de modele de lucru.





LV BRĪDINĀJUMS

Šajā datu lapā dotā vibrāciju emisijas vērtība ir mērīta saskaņā ar standartizēto testu, kas dots EN62841 un kuru var izmantot, lai salīdzinātu vienu instrumentu ar citu. To var izmantot aptuvenam ekspozīcijas novērtējumam. Deklarētais vibrāciju emisijas līmenis atbilst galvenajiem instrumenta pielietojumiem. Tomēr, ja instrumentu lieto citiem pielietojumiem, ar citiem piederumiem vai tas tiek slikti apkopts, vibrāciju emisijas vērtība var atšķirties. Tas var ievērojami palielināt ekspozīcijas līmeni visā darba periodā.

Vibrāciju ekspozīcijas līmeņa novērtējumam jāņem vērā laiks, kad instruments ir izslēgts vai ir ieslēgts, bet nevis nekādu darbu. Tas var ievērojami samazināt ekspozīcijas līmeni visā darba periodā. Identificējiet papildu drošības pasākumus, lai aizsargātu operatoru no vibrācijas iedarbības, piemēram, veiciet instrumenta un piederumu apkopi, turiet rokas siltas un pielāgojiet darba grafiku.

LT ĮSPĖJIMAS

Šiame lape nurodytas vibracijos emisijos lygis buvo išmatuotas pagal standartinį testą, aprašytą EN62841, ir gali būti naudojamas vieno įrankio su kitu palyginimui. Jis gali būti naudojamas preliminariam pavojaus įvertinimui. Deklaruotas vibracijos emisijos lygis priskiriamas pagrindinėms įrankio taikymo sritims. Tačiau, jei įrankis naudojamas kitiems tikslams, su kitokiais priedais ar įrankis prastai prižiūrimas, vibracijos emisija gali skirtis. Per visą darbo laikotarpį tai gali žymiai padidinti vibracijos keliamą pavojų.

Nustatant vibracijos keliamą pavojų taip pat būtina atsižvelgti į tai, kiek kartų įrankis yra išjungtas ar kai jis veikia, bet juo iš tikrųjų nedirbama. Per visą darbo laikotarpį tai gali žymiai sumažinti vibracijos keliamą pavojų. Naudokite papildomas apsaugos priemones dirbančiam asmeniui apsaugoti nuo vibracijos poveikio, pvz.: prižiūrėti įrankį ir jo priedus, rankas laikyti šiltai, organizuoti darbo sesijas.

ET HOIATUS

Sellel infolehel esitatud vibratsioonitaseme väärtus on mõõdetud standardis EN62841 kirjeldatud katsemeetodiga ja seda võib kasutada tööriistade omavaheliseks võrdlemiseks. Seda võib kasutada vibratsioonimõju eelhindamiseks. Deklareeritud vibratsioonitaseme väärtus kehtib tööriista tavakasutamisel. Kui aga kasutate tööriista muudeks kasutusotstarveteks, erioptarbeliste tarvikutega või kui tööriist on puudulikult hooldatud, siis võib vibratsiooniväärtus erineda. Sellistel juhtudel võib tööperioodi summaarne vibratsioonitaseme suureneda märgatavalt. Vibratsiooniväärtuse taset tuleb arvesse võtta ka sel ajal, kui tööriist on välja lülitatud või kui tööriist tööle, kuid ei tee tööoperatsiooni. Sellistel juhtudel võib tööperioodi ajal summaarne vibratsioonitaseme väheneda märgatavalt. Maarake kindlaks täiendavad ohutusmeetmed, et kaitsa operaatorit vibratsioonimõjude eest – tööriistade ja tarvikute hooldamine, käte soojas hoidmine ja töövahetuste organiseerimine.

HR UPOZORENJE

Razina vrijednosti vibracija data u ovoj tablici s informacijama mjerena je skladno normiranom testu pruženom u EN62841 i može se koristiti za usporedbu jednog alata s drugim. Može se koristiti u početnom usklađivanju izloženosti. Objavljena razina vrijednosti vibracija predstavlja glavnu primjenu alata. Međutim, ako se alat koristi za druge primjene, s različitim dodatnim priborom ili je slabo održavan, vrijednost vibracija može se razlikovati. Ovo može značajno povećati razinu izloženosti tijekom ukupnog radnog razdoblja.

U procjeni razine izloženosti na vibraciju također treba uzeti u obzir vrijeme kada je alat isključen ili kada je pokrenut no ne i stvarno vrijeme rada. Ovo može značajno smanjiti razinu izloženosti tijekom ukupnog radnog razdoblja. Odredite dodatne sigurnosne mjere za zaštitu operatora od učinaka vibracije poput: održavanje alata i pribora, održavanje toplih ruku, organizacija obrazaca za rad.

SL OPOZORILO

Nivo emisij vibracij, naveden v tem informacijskem listu, je bil izmerjen v skladu s standardiziranim testom, ki je podan v EN62841, podatek pa se lahko uporablja za primerjavo enega orodja z drugim. Uporablja se ga lahko za predhodno oceno izpostavljenosti. Navedeni nivo emisij vibracij predstavlja glavne uporabe orodja. Vendar, če se orodje uporablja v druge namene in z različnimi nastavitvami oz. če je orodje slabo vzdrževano, se lahko emisije vibracij razlikujejo. To lahko občutno poveča nivo izpostavljenosti v skupnem delovnem času.

Ocena nivoja izpostavljenosti vibracijam bi morala prav tako upoštevati, koliko krat je orodje bilo izključeno ali je v delovanju in pravzaprav ne opravlja svojega dela. To lahko občutno zmanjša nivo izpostavljenosti v skupnem delovnem času. Upoštevajte dodatne varnostne ukrepe, da bi upravljavca zaščitili pred vplivom vibracij, kot je: vzdržujte orodje in nastavke, pazite, da so roke tople, organizirajte delovne vzorce.

SK VAROVANIE

Úroveň emisie vibrácií, uvedená v tomto informačnom hárku bola nameraná v súlade so štandardizovaným testom, daný normou EN62841 a môže sa použiť na porovnanie jedného nástroja s druhým. Môže sa použiť na predbežné určenie miery vystavenia sa vibráciám. Uvedená úroveň emisie vibrácií predstavuje hlavné aplikácie nástroja. Avšak keď sa nástroj používa na iné aplikácie, s rôznym príslušenstvom alebo má zlú údržbu, úroveň vibrácií sa môže líšiť. Týmto sa môže výrazne zvýšiť úroveň vystavenia sa vibráciám počas celkového času práce.

Odhad úrovne vystavenia sa vibráciám by sa mal brať tiež do úvahy, vždy, keď sa nástroj vypne, alebo potom, keď beží ale v skutočnosti sa nevykonáva práca. Týmto sa môže výrazne znížiť úroveň vystavenia sa vibráciám počas celkového času práce. Nasledovné dopĺňujúce bezpečnostné opatrenia pomáhajú chrániť operátora od účinkov vibrácií: údržba nástroja a príslušenstva, udržiavanie teplých držadiel, organizácia práce.

BG ВНИМАНИЕ

Посоченото в тези инструкции ниво на вибрациите е измерено в съответствие със стандартизиран в EN 62841 измервателен метод и може да се използва за сравнение на електрически инструменти помежду им. Подходящ е и за временна оценка на вибрационното натоварване. Посоченото ниво на вибрациите представя основните приложения на електрическия инструмент. Ако обаче електрическият инструмент се използва с друго предназначение, с различни сменяемите инструменти или при недостатъчна техническа поддръжка, нивото на вибрациите може да е различно. Това чувствително може да увеличи вибрационното натоварване по време на целия работен цикъл.

За точната оценка на вибрационното натоварване трябва да се вземат предвид и периодите от време, в които уредът е изключен или работи, но в действителност не се използва. Това чувствително може да намали вибрационното натоварване по време на целия работен цикъл. Определете допълнителни мерки по техника на безопасност в защита на обслужващия работник от въздействието на вибрациите като например: техническа поддръжка на електрическия инструмент и сменяемите инструменти, поддръжане на ръцете топли, организация на работния цикъл.

UK ПОПЕРЕДЖЕННЯ

Рівень вібрації, зазначений у цьому інформаційному листку був розрахований відповідно зі стандартизованим випробуванням, наведеним в EN 62841 і може використовуватися для порівняння одного інструмента з іншим. Він може бути використаний для попередньої оцінки впливу. Зазначений рівень вібрації представляє основні застосування інструменту. Тим не менш, якщо інструмент використовується для різних додатків, з різними аксесуарамі і недоглянутий, рівень вібрації може відрізнятись. Це може значно підвищити рівень впливу протягом усього робочого періоду.

При оцінюванні рівня впливу вібрації необхідно також враховувати час, коли інструмент вимкнений або коли він працює, але насправді не виконує ніякої роботи. Це може значно зменшити рівень впливу протягом усього робочого періоду. Для захисту оператора від впливу вібрації, визначте додаткові заходи безпеки, такі як: ретельний догляд за інструментом і приладдям, тримання рук в теплі, і організація схеми роботи.





TR UYARI

Bu bilgi sayfasında verilen titreşim emisyon seviyesi, EN62841 standardında belirtilen standartlaştırılmış bir teste uygun olarak ölçülmüş ve bir aleti diğeriyle karşılaştırmak için kullanılabilir. On maruz kalma tespiti için kullanılabilir. Beyan edilen titreşim emisyon seviyesi aletin asıl uygulamalarını temsil etmektedir. Ancak alet, farklı aksesuarlarla veya yetersiz bakımlı olarak farklı uygulamalar için kullanılırsa titreşim emisyonu değişebilir. Bu durum toplam çalışma süresi boyunca maruz kalma seviyesini önemli ölçüde artırır.

Titreşime maruz kalma seviyesinin değerlendirilmesi aynı zamanda alet kapalı ve ardından çalışır ancak gerçek anlamda iş yapmadığı zamanlar da göz önünde bulundurulmalıdır. Bu durum toplam çalışma süresi boyunca maruz kalma seviyesini önemli ölçüde azaltır. Operatörü titreşimin etkilerinden korumak için ilave güvenlik önlemleri belirleyin, örneğin: aletin ve aksesuarlarının bakımını yapmak, operatörün ellerini sıcak tutmak, çalışma modellerini organize etmek.

EL ΠΡΟΕΙΔΟΠΟΙΗΣΗ

Τα επίπεδα εκπομπών κραδασμών που παρέχονται στο παρόν ενημερωτικό φυλλάδιο, έχουν μετρηθεί βάσει τυποποιημένης δοκιμής που προβλέπεται στο EN62841 και μπορούν να συγκριθούν για τη σύγκριση του εργαλείου με άλλα. Μπορούν επίσης να χρησιμοποιηθούν για προκαταρκτική αξιολόγηση της έκθεσης. Τα δηλωμένα επίπεδα εκπομπών κραδασμών αφορούν τις βασικές εφαρμογές του εργαλείου. Ωστόσο, αν το εργαλείο χρησιμοποιείται για διαφορετικές εφαρμογές, με διαφορετικά εξαρτήματα ή με κακή συντήρηση, η εκπομπή κραδασμών μπορεί να διαφέρει. Αυτό μπορεί να αυξήσει σημαντικά το επίπεδο έκθεσης στη συνολική περίοδο εργασίας.

Η εκτίμηση των επιπέδων έκθεσης σε κραδασμούς θα πρέπει επίσης να λαμβάνει υπόψη τις χρονικές περιόδους κατά τις οποίες το εργαλείο είναι απενεργοποιημένο ή λειτουργεί χωρίς να χρησιμοποιείται σε συγκεκριμένη εργασία. Αυτό μπορεί να μειώσει σημαντικά το επίπεδο έκθεσης στη συνολική περίοδο εργασίας. Εφαρμόστε επιπρόσθετα μέτρα ασφαλείας για την προστασία του χειριστή από τις επιπτώσεις των κραδασμών, όπως τα εξής: συντηρείτε το εργαλείο και τα εξαρτήματα, διατηρείτε τα χέρια ζεστά, οργανώστε μοτίβα εργασίας.



EN RYOBI® WARRANTY APPLICATION CONDITIONS

In addition to any statutory rights resulting from the purchase, this product is covered by a warranty as stated below.

1. The warranty period is 24 months for consumers and commences on the date the product was purchased. This date has to be documented by an invoice or other proof of purchase. The product is designed and dedicated to consumer and private use only. So there is no warranty provided in case of professional or commercial use. This warranty applies only on new products.
2. There is a possibility to extend for a part of the range of power tools (AC/DC) the warranty period over the period described above using the registration on the www.ryobitools.eu website. The eligibility of products for extended warranty is clearly displayed in stores and / or on packaging and is contained within the product documentation. The end user is required to register his/her newly-acquired products online within 30 days from the date of purchase. The end user may register for the extended warranty in his/her country of residence if listed on the online registration form where this option is valid. Furthermore, end users must give their consent to the storage of their personal data that is required to be entered online. They must also accept the terms and conditions. The registration confirmation receipt, which is sent out by e-mail, and the original invoice showing the date of purchase will serve as proof of the extended warranty.
3. The warranty covers all defects of the product during the warranty period due to faults in workmanship or material at the purchase date. The warranty is limited to repair and/or replacement and does not include any other obligations including but not limited to incidental or consequential damages. The warranty is not valid if the product has been misused, used contrary to the instruction manual, or has been incorrectly connected to a power supply. This warranty does not apply to:
 - any damage to the product that is the result of improper or lack of maintenance
 - any product that has been altered or modified
 - any product where original identification (trade mark, serial number) markings have been defaced, altered or removed
 - any damage caused by non-observance of the instruction manual
 - any product not displaying the CE approval mark on the rating plate
 - any product that has been attempted to be repaired by a non-authorized warranty service centre or without prior authorisation by Techtronic Industries
 - any product connected to improper power supply (amps, voltage, frequency)
 - any damage caused by external influences (water, chemical, physical, shocks) or foreign substances
 - normal wear and tear spare parts
 - inappropriate use, overloading of the tool
 - use of non-approved accessories or parts
 - Power tool accessories provided with the tool or purchased separately, including but not limited to screw driver bits, drill bits, abrasive discs, sand paper and blades, lateral guide, etc.
 - Components (parts and accessories) subject to natural wear and tear, including but not limited to service & maintenance kits, carbon brushes, bearings, chuck, SDS drill bit attachment or reception, power cord, auxiliary handle, transport carry case, sanding plate, dust bag, dust exhaust tube, felt washers, impact wrench pins & springs, etc.
4. For servicing, the product must be sent or presented to a RYOBI authorised service station listed for each country in the following list of service station addresses. In some countries your local RYOBI dealer undertakes to send the product to the RYOBI service organisation. When sending a product to a RYOBI service station, the product should be safely packed without any dangerous contents such as petrol, marked with sender's address and accompanied by a short description of the fault.
5. A repair / replacement under this warranty is free of charge. It does not constitute an extension or a new start of the warranty period. Exchanged parts or products become our property. In some countries delivery charges or postage will have to be paid by the sender. Your statutory rights arising from the purchase of the product remain unaffected.
6. This warranty is valid in the European Community, Switzerland, Iceland, Norway, Liechtenstein, Turkey and Russia. Outside these areas, please contact your authorised RYOBI dealer to determine if another warranty applies.

AUTHORISED SERVICE CENTRE

To find an authorised service centre near you, visit <http://en.ryobitools.eu/header/service-and-support/service-agents>

FR RYOBI® CONDITIONS D'APPLICATION DE LA GARANTIE

En plus des droits statutaires liés à l'achat, ce produit est couvert par une garantie telle que décrite ci-dessous.

1. La durée de la garantie accordée au consommateur est de 24 mois à partir de la date d'achat. Cette date doit être authentifiée par une facture ou toute autre preuve d'achat. Le produit a été conçu en vue d'une utilisation strictement privée. Aucune garantie ne s'applique donc en cas d'utilisation professionnelle ou commerciale.
2. Il existe pour une partie de la gamme d'outils électroportatifs (AC/DC), une possibilité d'étendre la période de garantie au-delà de la période précédemment décrite en utilisant le formulaire d'enregistrement présent sur le site Internet www.ryobitools.eu. L'éligibilité d'un outil est clairement affichée dans les points de vente et/ou sur l'emballage et la documentation. L'utilisateur final doit enregistrer son/ses outil(s) nouvellement acheté(s) en ligne dans les 30 jours qui suivent la date d'achat. L'utilisateur a la possibilité de s'enregistrer pour l'extension de garantie dans son pays de résidence si celui-ci est listé dans le formulaire d'enregistrement en ligne où cette option est valide. L'utilisateur final doit donner son consentement pour l'enregistrement des données requises pour accéder au site et doit accepter les termes et conditions. La confirmation d'enregistrement, envoyée par courrier électronique, ainsi que la facture originale mentionnant la date d'achat serviront de preuve de l'extension de garantie.
3. La garantie couvre pendant la période de garantie les défauts des produits liés à la fabrication et aux matériaux à la date d'achat. La garantie est limitée à la réparation et/ou au remplacement et n'inclut aucune autre obligation, tel que, mais sans s'y limiter, les dommages accessoires ou indirects. La garantie est non valable en cas de mauvaise utilisation du produit, d'utilisation contraire aux instructions du mode d'emploi, ou en cas de branchement incorrect. Cette garantie ne s'applique pas pour :
 - tout dommage au produit résultant d'un mauvais entretien
 - tout produit ayant été altéré ou modifié
 - tout produit dont les marquages originaux d'identification (marque, numéro de série) ont été dégradés, altérés ou retirés
 - tout dommage causé par le non-respect des instructions du mode d'emploi
 - tout produit non CE
 - tout produit ayant subi une tentative de réparation par du personnel non qualifié ou sans autorisation préalable de Techtronic Industries
 - tout produit raccordé à une alimentation secteur non conforme (ampérage, voltage, fréquence)
 - tout dommage causé par des influences extérieures (chimiques, physiques, chocs) ou par des substances étrangères
 - l'usure normale des pièces consommables
 - une utilisation inappropriée, une surcharge de l'outil
 - l'utilisation de pièces ou accessoires non agréés
 - accessoires de l'outil électrique fournis avec l'outil ou achetés séparément. Cela comprend notamment les embouts de vissage, les forets de perceuse, les disques abrasifs, le papier de verre et les lames, le guide latéral
 - Les composants (pièces et accessoires) sujets à l'usure naturelle, ceci incluant notamment les mandrins, les charbons, adaplateurs SDS, les cordons d'alimentation, les poignées auxiliaires, les mallettes de transport, les plateaux de ponçage, les sacs collecteurs de poussière, les tubes d'extraction de poussière, les carrés de clé à choc, etc.
4. Si le produit doit être réparé, envoyez-le à un service après-vente agréé RYOBI dont vous trouverez ci-dessous la liste pour chaque pays. Dans certains pays, votre revendeur RYOBI se chargera d'envoyer le produit à un centre de réparation RYOBI. Lorsque vous envoyez un produit à un service après-vente RYOBI, celui-ci doit être correctement emballé, sans contenir aucun produit dangereux tel que de l'essence, et vous devez indiquer votre adresse ainsi qu'une courte description du problème.
5. Une réparation / un remplacement sous garantie est gratuit(e). Ceci ne constituera pas une extension de garantie ni un nouveau départ de la période de garantie. Les pièces ou les outils remplacés deviennent notre propriété. Dans certains pays, les frais de port devront être assumés par l'expéditeur. Vos droits statutaires restent inchangés.
6. Cette garantie est valable au sein de l'Europe, de la Suisse, de l'Islande, de la Norvège, du Liechtenstein, de la Turquie, de la Russie. En dehors de ces zones, veuillez contacter votre distributeur agréé RYOBI pour déterminer si une autre garantie s'applique.

SERVICE APRÈS-VENTE AGRÉÉ

Pour trouver le service après-vente agréé le plus proche, rendez-vous sur <http://fr.ryobitools.eu/header/service-and-support/service-agents>.

DE RYOBI® GARANTIEBEDINGUNGEN

Zusätzlich zu den gesetzlichen Rechten aus dem Kauf gilt für dieses Produkt die nachstehend aufgeführte Garantie.

- Der Garantiezeitraum beträgt für Verbraucher 24 Monate und beginnt mit dem Datum des Kaufs. Dieses Datum muss durch eine Rechnung oder einen anderen Kaufbeleg dokumentiert werden. Dieses Produkt wurde ausschließlich zur privaten Nutzung durch Verbraucher entwickelt. Für den Fall einer professionellen bzw. kommerziellen Nutzung besteht daher keine Garantie.
- Es besteht die Möglichkeit, für einen Teil des Sortiments der Elektrogeräte (AC/DC) den Garantiezeitraum über den oben genannten Zeitraum hinaus zu verlängern, indem der Verbraucher die Registrierung auf der Website www.ryobitools.eu durchführt. Die Berechtigung der Werkzeuge für die Garantieverlängerung ist deutlich im Geschäft und/oder auf der Verpackung beschrieben und in der Produktdokumentation erwähnt. Der Verbraucher muss das neu erworbene Gerät online innerhalb von 30 Tagen ab dem Kaufdatum registrieren. Der Verbraucher kann das Gerät zwecks Garantieverlängerung in seinem Wohnsitzland/Heimatland registrieren, wenn dieses Land auf dem Online-Registrierungsformular aufgeführt ist und die Option gültig ist. Darüber hinaus muss der Verbraucher seine Zustimmung zur Speicherung der Daten geben, die online eingegeben werden müssen, und er muss die allgemeinen Geschäftsbedingungen akzeptieren. Die Bestätigung der Registrierung, die per E-Mail versandt wird, und die Originalrechnung mit dem Kaufdatum gelten als Beleg für die Garantieverlängerung.
- Die Garantie deckt alle Defekte des Geräts während des Garantiezeitraums ab, die auf zum Zeitpunkt des Kaufs bestehende Verarbeitungs- oder Materialfehler zurückzuführen sind. Die Garantie beschränkt sich auf Reparatur und/oder Ersatz und beinhaltet keine anderen Verpflichtungen, insbesondere keinen Schadenersatz für Folge- oder Nebenschäden. Die Garantie gilt nicht, wenn das Gerät fehlerhaft eingesetzt wurde, gegenseitlich zur Bedienungsanleitung eingesetzt wurde oder falsch angeschlossen wurde. Die Garantie gilt nicht für Folgendes:
 - Schäden am Gerät, die auf unkorrekte Wartung zurückzuführen sind
 - Geräte, an denen Veränderungen vorgenommen wurden
 - Produkte, bei denen die ursprüngliche Identifizierung (Handelsmarke, Seriennummer) unleserlich gemacht, verändert oder entfernt wurde
 - Schäden durch Nichtbeachtung der Bedienungsanleitung
 - nicht-CE-zertifizierte Geräte
 - Geräte, an denen durch nicht-qualifizierte Personen oder ohne vorherige Genehmigung von Techtronic Industries Reparaturversuche vorgenommen wurden
 - Geräte, die an unkorrekte Energiequellen (Ampere, Volt, Frequenz) angeschlossen wurden
 - Schäden durch äußere Einflüsse (chemisch, physisch, Stöße) oder Fremdstoffe
 - normaler Verschleiß von Ersatzteilen
 - unangemessene Nutzung, Überlastung des Geräts
 - Nutzung nicht genehmigter Zubehörteile oder Ersatzteile
 - mit dem Gerät gelieferte oder separat erworbene Zubehörteile. Dieser Ausschluss beinhaltet, ist aber nicht beschränkt auf Schraubendreher-Bits, Bohreinsätze, Schleifscheiben, Sandpapier und Klingen, Seitenführungen
 - Komponenten (Ersatzteile und Zubehörteile), die natürlichen und normalen Verschleißerscheinungen unterworfen sind, einschließlich aber nicht beschränkt auf: Service- und Wartungssätze, Kohlebürsten, Lager, Spannfutter, SDS-Bohreraufnahme /Bit-Adapter, Netzkabel, Zusatzhandgriff, Transportkoffer, Schleifteller, Staubbeutel, Staubabsaugrohr, Filzunterlegscheiben, Bolzen und Federn von Schlagschraubern usw.
- Zum Service muss das Gerät zu einer von RYOBI autorisierten Servicestation gebracht oder dorthin gesendet werden. Die Servicestationen für die einzelnen Länder sind in der folgenden Liste aufgeführt. In einigen Ländern sendet Ihr RYOBI-Händler vor Ort das Gerät an das RYOBI-Serviceunternehmen. Beim Einsenden an die RYOBI-Servicestation sollte das Gerät sicher verpackt sein, ohne gefährliche Inhalte wie Benzin, und es sollte mit der Adresse des Absenders und einer kurzen Beschreibung des Fehlers versehen sein.
- Eine Reparatur bzw. ein Ersatz gemäß dieser Garantie ist kostenlos. Hieraus ergibt sich weder eine Garantieverlängerung noch der Beginn eines neuen Garantiezeitraums. Die ausgetauschten Ersatzteile oder Werkzeuge gehen in unser Eigentum über. In einigen Ländern müssen die Zustellgebühren oder die Versandkosten vom Absender gezahlt werden. Ihre gesetzlichen Rechte aus dem Kauf des Geräts bleiben hiervon unberührt.
- Diese Garantie gilt in der Europäischen Union, der Schweiz, Island, Norwegen, Liechtenstein, der Türkei und Russland. Bitte wenden Sie sich außerhalb dieser Gebiete an Ihren autorisierten RYOBI-Händler, um festzustellen, ob eine andere Garantie gilt.

AUTORISIERTER KUNDENDIENST

Besuchen Sie <http://de.ryobitools.eu/header/service-and-support/service-agents>, um einen autorisierten Kundendienst in Ihrer Nähe zu finden.

ES CONDICIONES DE APLICACIÓN DE LA GARANTÍA DE RYOBI®

Además de cualquier derecho legal derivado de la compra, este producto está cubierto por una garantía que se indica a continuación.

- El periodo de garantía es de 24 meses para consumidores y comienza en la fecha en que se compra el producto. Dicha fecha debe documentarse con una factura u otro comprobante de compra. El producto está diseñado y concebido únicamente para el uso privado del consumidor. Por lo tanto, no se ofrece garantía en caso de uso profesional o comercial.
- Existe la posibilidad de ampliar el periodo de garantía respecto a una parte de la gama de herramientas eléctricas (CA/CC) durante el periodo descrito más arriba y mediante el registro en el sitio web www.ryobitools.eu. La elegibilidad de las herramientas para que se amplíe el periodo de garantía se muestra claramente en las tiendas o en el embalaje y está incluida en la documentación del producto. El usuario final tiene que registrar en línea sus herramientas recientemente adquiridas en un plazo de 30 días a partir de la fecha de compra. El usuario final podrá registrarse para obtener la garantía ampliada en su país de residencia si este aparece en la lista del formulario de registro en línea cuando esta opción sea válida. Además, los usuarios finales deberán dar su consentimiento al almacenamiento de los datos necesarios para el acceso en línea y tienen que aceptar los términos y condiciones. El recibo de confirmación de registro, que se envía por correo electrónico, y la factura original que muestra la fecha de compra servirán como comprobante para la garantía ampliada.
- La garantía cubre todos los defectos del producto durante el periodo de garantía debido a fallos de mano de obra o material en la fecha de compra. La garantía se limita a la reparación o sustitución y no incluye ninguna otra obligación como, por ejemplo, daños accidentales o consecuentes. La garantía no es válida si se ha usado mal el producto, se ha usado contraviniendo el manual de instrucciones o se ha conectado de forma incorrecta. Esta garantía no es aplicable a:
 - ningún daño en el producto que sea consecuencia de un mantenimiento inadecuado
 - ningún producto que haya sido alterado o modificado
 - ningún producto en el que los marcados de identificación originales (marca comercial, número de serie) se hayan borrado, modificado o eliminado
 - ningún daño provocado por no seguir el manual de instrucciones
 - ningún producto que no sea CE
 - ningún producto que haya sufrido un intento de reparación por parte de un profesional no cualificado o sin la autorización previa de Techtronic Industries.
 - ningún producto conectado a un suministro eléctrico inadecuado (amperios, voltaje, frecuencia)
 - ningún daño causado por influencias externas (químicas, físicas, impactos) o sustancias extrañas
 - desgaste normal de piezas de repuesto
 - uso inadecuado, sobrecarga de la herramienta
 - uso de accesorios o piezas no aprobados
 - Accesorios de herramientas eléctricas proporcionados con la herramienta o comprados por separado. Tales exclusiones incluyen, entre otros, brocas de destornilladores, brocas de taladro, discos abrasivos, papel de lija y cuchillas, y guías laterales
 - Componentes (piezas y accesorios) sujetos a un desgaste natural, que incluyen, entre otros, equipos de servicio y mantenimiento, escobillas de carbono, cojinetes, pinzas, accesorio o recepción de broca de taladro SDS, cable eléctrico, manillar auxiliar, bolsa de transporte, hoja lijadora, bolsa de polvo, tubo de escape de polvo, disco de fieltro, pasadores y resortes de llave de impacto, etc.
- Para su mantenimiento, el producto debe enviarse o presentarse a una estación de servicio de RYOBI autorizada que figure en la siguiente lista de direcciones de estaciones de servicio por países. En algunos países, su distribuidor RYOBI local se responsabiliza de enviar el producto a la compañía de servicio de RYOBI. Cuando se envíe un producto a una estación de servicio de RYOBI, este debe estar empaquetado de forma segura sin contenidos peligrosos como gasolina, marcado con la dirección del remitente y acompañado de una breve descripción del fallo.
- Una reparación / sustitución con esta garantía es gratuita. No constituye una ampliación ni un nuevo comienzo del periodo de garantía. Las piezas o herramientas intercambiadas pasan a ser de nuestra propiedad. En algunos países, los gastos de envío o correo tendrán que pagarlos el remitente. Sus derechos legales derivados de esta compra de la herramienta no se verán afectados.
- Esta garantía es válida en la Unión Europea, Suiza, Islandia, Noruega, Liechtenstein, Turquía y Rusia. Fuera de estas zonas, póngase en contacto con su distribuidor de RYOBI autorizado para determinar si es aplicable otra garantía.

SERVICIO TÉCNICO AUTORIZADO

Para encontrar el servicio técnico autorizado más cercano, visite <http://es.ryobitools.eu/header/service-and-support/service-agents>

IT CONDIZIONI DI VALIDITÀ DELLA GARANZIA RYOBI®

In aggiunta ai diritti di legge risultanti dall'acquisto, il prodotto è coperto dalla garanzia sotto descritta.

- Il periodo di garanzia è di 24 mesi per i consumatori, a decorrere dalla data di acquisto del prodotto. La data deve essere documentata da una fattura o altra prova d'acquisto. Il prodotto è progettato e destinato solo all'utilizzo privato dei consumatori. Pertanto non viene fornita alcuna garanzia in caso di uso professionale o commerciale.
- Per una serie di utensili elettrici (CA/CC) è possibile prolungare il periodo di garanzia oltre quello descritto, registrandosi sul sito web www.ryobitools.eu. Gli utensili per i quali è possibile prolungare il periodo di garanzia sono chiaramente indicati nei negozi e/o sulle confezioni e nella documentazione dei prodotti. L'utente deve registrare online l'utensile acquistato entro 30 giorni dalla data di acquisto. L'utente può registrarsi per la garanzia prolungata nel proprio paese di residenza, se questo è elencato nel modulo di registrazione online dove questa opzione sia valida. Inoltre gli utenti devono fornire il proprio consenso alla conservazione dei dati da immettere online e devono accettare le condizioni generali. La conferma di registrazione, inviata tramite e-mail, e la fattura originale indicante la data di acquisto, costituiscono la prova della garanzia prolungata.
- La garanzia copre tutti i difetti del prodotto durante il periodo di garanzia, risultati da manodopera o materiali alla data di acquisto. La garanzia è limitata alla riparazione e/o sostituzione e non include alcun altro obbligo quali, a mero titolo esemplificativo, i danni incidentali o consequenziali. La garanzia non è valida se il prodotto è stato usato scorrettamente, in modo contrario al manuale di istruzioni o se è stato collegato in modo errato. La garanzia non è valida per:
 - qualsiasi danno al prodotto dovuto a manutenzione errata;
 - qualsiasi prodotto che sia stato alterato o modificato;
 - qualsiasi prodotto le cui marcature di identificazione originali (marchi di fabbrica, numero di serie) siano state cancellate, alterate o rimosse;
 - qualsiasi danno causato dalla non osservanza delle istruzioni del manuale;
 - qualsiasi prodotto privo di omologazione CE;
 - qualsiasi prodotto che sia stato sottoposto a un tentativo di riparazione da parte di un professionista non qualificato oppure senza la previa autorizzazione di Techtronic Industries;
 - qualsiasi prodotto collegato a un'alimentazione errata (per ampere, tensione, frequenza);
 - qualsiasi danno causato da influenze esterne (chimiche, fisiche, urti) o sostanze estranee;
 - la normale usura delle parti di ricambio;
 - uso inappropriato, sovraccarico dell'utensile;
 - uso di accessori o parti non omologate;
 - accessori per utensili elettrici forniti con l'utensile o acquistati separatamente. Questa esclusione comprende, a mero titolo esemplificativo, punte per cacciaviti, punte per trapani, dischi abrasivi, carta vetrata, lame e guide laterali;
 - componenti (parti e accessori) soggetti alla normale usura compresi, a mero titolo esemplificativo, kit di servizio e manutenzione, spazzole al carbonio, cuscinetti, mandrini, attacchi per punte a vite autopoterforante, cavi di alimentazione, maniglie ausiliarie, custodie di trasporto, piastre di levigatura, sacchetti per la polvere, tubi di scarico della polvere, rondelle di feltro, perni e molle per avvitatori ecc.
- Per la manutenzione il prodotto dev'essere spedito o portato presso uno dei centri assistenza autorizzati RYOBI elencati per ogni paese nel seguente elenco di indirizzi dei centri. In alcuni paesi il rivenditore locale RYOBI si incarica di inviare il prodotto all'organizzazione di assistenza RYOBI. Quando si invia un prodotto a un centro assistenza RYOBI, imballarlo in modo sicuro senza contenuti pericolosi come la benzina, apporre l'indirizzo del mittente e accompagnarlo da una breve descrizione del guasto.
- La riparazione/sostituzione ai sensi della presente garanzia è gratuita. Non costituisce un prolungamento o un nuovo inizio del periodo di garanzia. Le parti o gli utensili scambiati diventano di nostra proprietà. In alcuni paesi i costi di consegna o di spedizione postale devono essere pagati dal mittente. I diritti di legge derivanti dall'acquisto dell'utensile rimangono inalterati.
- La presente garanzia è valida in Unione Europea, Svizzera, Islanda, Norvegia, Liechtenstein, Turchia e Russia. Al di fuori di tali aree contattare il rivenditore autorizzato RYOBI per sapere se è valida un'altra garanzia.

CENTRO SERVIZI AUTORIZZATO

Per individuare il più vicino centro servizi autorizzato, visitare il sito <http://it.ryobitools.eu/header/service-and-support/service-agents>.

NL RYOBI® GARANTIEVOORWAARDEN

Naast de wettelijke rechten die voortvloeien uit de aankoop, wordt dit product gedekt door een garantie, zoals hieronder staat vermeld.

- De garantietermijn voor consumenten bedraagt 24 maanden en gaat in op de datum waarop het product is gekocht. Deze datum moet worden gedocumenteerd met een factuur of een ander aankoopbewijs. Het product is uitsluitend ontworpen en bedoeld voor persoonlijk gebruik door consumenten. Er wordt dus geen garantie gegeven voor professioneel of commercieel gebruik.
- Voor een deel van ons aanbod van elektrische gereedschappen (AC/DC) is het mogelijk om de garantietermijn te verlengen over de boven beschreven termijn, met behulp van de website www.ryobitools.eu. De gereedschappen die in aanmerking komen voor de verlenging van de garantietermijn wordt duidelijk weergegeven in winkels en/of verpakkingen en staat beschreven in de productdocumentatie. De eindgebruiker moet zijn/haar nieuw gekochte gereedschappen binnen 30 dagen na aankoop online registreren. De eindgebruiker kan zich registreren voor de verlengde garantietermijn als zijn woonland staat vermeld op het online registratieformulier waar deze optie geldt is. Bovendien moeten eindgebruikers toestemming geven voor de opslag van de gegevens die online ingevuld moeten worden en moeten ze de algemene voorwaarden accepteren. Het ontvangstbewijs van de registratie, dat per e-mail wordt verzonden en de oorspronkelijke factuur met de aankoopdatum vormt het bewijs van de verlengde garantietermijn.
- De garantie dekt tijdens de garantietermijn alle gebreken van het product vanwege defecten in vakmanschap of materiaal op de aankoopdatum. De garantie is beperkt tot reparatie en/of vervanging en bevat geen andere verplichtingen, waaronder maar niet beperkt tot incidentele of gevolgschade. De garantie is niet geldig als het product is misbruikt, in strijd met de gebruiksaanwijzing wordt gebruikt of onjuist is aangesloten. Deze garantie geldt niet voor:
 - alle schade aan het product die het gevolg is van onjuist onderhoud
 - elk product dat is veranderd of aangepast
 - elk product waar de oorspronkelijke identificatie (handelsmerk, serienummer) is beschadigd, gewijzigd of verwijderd
 - alle schade die is veroorzaakt door het niet opvolgen van de gebruiksaanwijzing
 - elk niet-CE-product
 - elk product waar een poging tot reparatie is gedaan door een niet-erkende professional of zonder voorafgaande toestemming door Techtronic Industries.
 - elk product dat is verbonden met een verkeerde voeding (amperage, spanning, frequentie)
 - alle schade die is veroorzaakt door externe invloeden (chemisch, fysisch, schokken) of vreemde stoffen
 - normale slijtage van reserveonderdelen
 - ongepast gebruik, overbelasting van het gereedschap
 - gebruik van niet-goedgekeurde accessoires of onderdelen
 - gereedschapsaccessoires die bij het gereedschap worden geleverd of afzonderlijk zijn aangeschaft. Zulke uitzonderingen bevatten, maar niet beperkt tot schroevendraaierbits, boorbits, slijpschijven, schuurpapier en zagen, laterale geleiding
 - Componenten (onderdelen en accessoires) die onderhevig zijn aan natuurlijke slijtage, waaronder maar niet beperkt tot service-onderhoudsets, koolstofborstels, lagers, boorkoppen, SDS boorbitbevestigingen of ontvangers, stroomsoeren, hulpprepen, transporttassen, schuurplateaus, stofzakken, stofafvoerbuizen, vilttringen, pennen en veren van slagmoersleutels, etc.
- Voor onderhoud moet het product worden verzonden of gebracht naar een erkend servicecenter van RYOBI die voor elk land staan vermeld in de volgende lijst met adressen voor servicecentra. In sommige landen zal uw lokale RYOBI-dealer het product verzenden naar de RYOBI-serviceorganisatie. Wanneer u het product naar een servicecenter van RYOBI verzendt, moet het product veilig worden verpakt zonder enige gevaarlijke inhoud, zoals benzine, met het adres van de afzender en vergezeld van een korte beschrijving van het defect.
- Een reparatie/vervanging die onder deze garantie valt is gratis. Het vormt geen verlenging of een nieuwe start van de garantietermijn. Verwisselde onderdelen of gereedschappen worden ons eigendom. In sommige landen moeten de verzendkosten door de afzender worden betaald. Uw wettelijke rechten die voortvloeien uit de aankoop van het gereedschap blijven onaangetaast.
- Deze garantie is geldig in de Europese Gemeenschap, Zwitserland, Usland, Noorwegen, Liechtenstein, Turkije en Rusland. Buiten deze gebieden moet u contact opnemen met uw erkende RYOBI-dealer om vast te stellen of er een andere garantie van toepassing is.

GEAUTORISEERD ONDERHOUDSCENTRUM

Om een geautoriseerd onderhoudscentrum in uw buurt te vinden, surf u naar <http://nl.ryobitools.eu/header/service-and-support/service-agents>.

PT CONDIÇÕES DE APLICAÇÃO DA GARANTIA RYOBI®

Para além de quaisquer direitos previstos por lei resultantes da compra, este produto está coberto por uma garantia conforme descrição abaixo.

- O período da garantia é de 24 meses para consumidores particulares e inicia-se na data de compra do produto. Esta data tem de ser documentada por uma factura ou por outra prova de compra. O produto foi concebido para e destina-se apenas a consumidores particulares e uso privado. Assim, não é dada garantia em caso de utilização por profissionais ou uso comercial.
- Para uma parte da gama de ferramentas eléctricas (AC/DC) existe a possibilidade de prolongamento do período da garantia para além do período descrito acima, mediante registo no Web site www.ryobitools.eu. A elegibilidade das ferramentas para prolongamento do período da garantia é claramente visível nas lojas e/ou nas embalagens e está contida na documentação do produto. O utilizador final tem de fazer o registo online das suas ferramentas recém-adquiridas no prazo de 30 dias após a data de compra. O utilizador final pode fazer o registo para prolongamento da garantia no seu país de residência, desde que esteja listado no formulário de registo online e para os casos em que esta opção seja válida. Para além disso, os utilizadores finais têm de autorizar o armazenamento dos dados cujo preenchimento lhes for solicitado online e têm de aceitar os termos e as condições. O recibo de confirmação do registo é enviado por e-mail e, em conjunto com a factura original ostentando a data de compra, servirá de prova do prolongamento da garantia.
- A garantia cobre todos os defeitos do produto durante o período da garantia devidos a defeitos de fabrico ou de material à data da compra. A garantia está limitada à reparação e/ou substituição e não inclui quaisquer outras obrigações, incluindo mas não se limitando a, perdas complementares ou indirectas. A garantia não é válida se o produto tiver sido utilizado incorrectamente, utilizado de forma contrária ao Manual de Instruções ou se as respectivas ligações tiverem sido feitas incorrectamente. Esta garantia não se aplica ao seguinte:
 - quaisquer danos ao produto que sejam resultado de manutenção incorrecta
 - qualquer produto que tenha sido alterado ou modificado
 - qualquer produto cujas marcações de identificação de origem (marca comercial, número de série) tiverem sido apagadas, alteradas ou retiradas
 - quaisquer danos causados pelo incumprimento do Manual de Instruções
 - qualquer produto que não seja da Comunidade Europeia
 - qualquer produto ao qual tenha sido feita, ou tentada fazer, uma reparação por outra pessoa que não um profissional habilitado ou sem autorização prévia da Techtronic Industries.
 - qualquer produto ligado a uma fonte de alimentação eléctrica incorrecta (Amperes, Voltagem e Frequência)
 - qualquer dano causado por influências externas (químicas, físicas, impactos) ou substâncias estranhas
 - desgaste e degradação normal de sobresselentes
 - utilização incorrecta, sobrecarga da ferramenta
 - utilização de acessórios ou peças não aprovados
 - acessórios para ferramentas eléctricas fornecidos com a ferramenta ou comprados em separado. Estas exclusões incluem mas não se limitam a, pontas de aparafusadora, brocas, discos abrasivos, papel de lixa e lâminas, guia lateral
 - Componentes (peças e acessórios) sujeitos a desgaste e degradação natural, incluindo mas não se limitando a, Kits de Assistência e Manutenção, escovas de carvão, roletamentos, bucha, acessórios ou recepções de brocas SDS, cabos eléctricos, pegas auxiliares, estojos de transporte, placas de lixagem, sacos de poeiras, tubos de saída de poeiras, anilhas de feltro, pinos e molas da aparafusadora de impacto, etc.
- Para assistência, o produto tem de ser enviado para, ou apresentado em, um posto de assistência autorizado RYOBI, conforme listado para cada país na lista de moradas de postos de assistência seguinte. Nalguns países, o seu concessionário RYOBI local encarrega-se de enviar o produto para a organização de assistência RYOBI. Quando enviar um produto para um posto de assistência RYOBI, o produto deve ser embalado de forma segura, sem conter nenhuns conteúdos perigosos (por exemplo, gasolina), marcado com o endereço do remetente e acompanhado por uma breve descrição da avaria.
- Uma reparação/substituição ao abrigo desta garantia é gratuita. Não constitui um prolongamento a, nem um novo início de, o período da garantia. As peças ou ferramentas substituídas tornam-se propriedade nossa. Nalguns países, o remetente terá de pagar os custos de entrega ou a remessa postal. Os seus direitos previstos por lei resultantes da compra da ferramenta mantêm-se inalterados
- Esta garantia é válida na Comunidade Europeia, Suíça, Islândia, Noruega, Liechtenstein, Turquia e Rússia. Fora destas áreas, entre em contacto com o seu concessionário autorizado RYOBI para determinar se existe outra garantia aplicável.

CENTRO DE ASSISTÊNCIA AUTORIZADO

Para encontrar um centro de assistência autorizado próximo de si, visite <http://pt.ryobitools.eu/header/service-and-support/service-agents>.

DA RYOBI® BETINGELSER FOR GARANTI

Udover lovbestemte rettigheder, som resulterer af købet, er dette produkt dækket af en garanti, som anført herunder.

- Garantiperioden er 24 måneder for forbrugere og begynder på den dato, som produktet blev købt. Denne dato skal dokumenteres af en faktura eller andet bevis for køb. Produktet er udelukkende designet og dedikeret til forbrugere og privat brug. Så der ydes ingen garanti i tilfælde af professionel eller kommerciel brug.
- Der er en mulighed for at forlænge garantiperioden for en del af udvalget af elværktøj (AC/DC), hen over den ovenfor beskrivne periode vha. registrering på hjemmesiden www.ryobitools.eu. Rettigheden af værktøjet til forlængelse af garantiperioden er tydeligt vist i butikker og/eller på emballage/og indeholdt i produktokumentationen. Slutbrugeren skal registrere hans/hendes nyligt indkøbte værktøj online indenfor 30 dage efter købsdatoen. Slutbrugeren kan registrere sig for den forlængede garanti i sit land, hvis han/hun er opført på den online registreringsformular, hvor denne mulighed er gyldig. Derudover skal slutbrugere give deres samtykke til at opbevare data, som er påkrævet at indtaste online, og de er nødt til at acceptere vilkår og betingelser. Registreringsbekræftelseskvitteringen, som sendes ud på e-mail, og den originale faktura, som viser købsdatoen, vil fungere som bevis for den forlængede garanti.
- Garantien dækker alle defekter, som et produkt måtte have i løbet af garantiperioden, og som skyldes produktionsfejl eller materialefejl på købsdatoen. Garantien er begrænset til reparation og/eller udfiskning og inkluderer ikke andre forpligtelser, inklusiv men ikke begrænset til tilfældige skader eller følgeskader. Garantien er ugyldig, hvis produktet er blevet misbrugt, brugt uden at overholde vejledningen, eller det er blevet forkert tilsuttet. Denne garanti gælder ikke:
 - Beskadigelse af produktet, som er et resultat af uegnet vedligeholdelse
 - Et produkt der er blevet ændret eller modificeret
 - Et produkt hvor de originale identifikationsmærkninger (varemærke, serienummer) er blevet ødelagt, ændret eller fjernet.
 - Enhver beskadigelse forårsaget af manglende overholdelse af vejledningen
 - Ethvert ikke CE-produkt
 - Ethvert produkt som er blevet forsøgt repareret af en ukvalificeret professionel eller uden tidligere autorisation af Techtronic Industries.
 - Ethvert produkt som er tilsuttet uegnet strømforsyning (ampere, spænding, frekvens)
 - Enhver skade forårsaget af ekstern påvirkning (kemisk, fysisk, chok) eller fremmedelementer
 - Normal slid på reservedele
 - Uegnet brug, overbelastning af værktøjet
 - Brug af ikke-godkendt tilbehør eller dele
 - Elværktøjstilbehør som leveres med værktøjet eller købes separat. Sådanne undtagelser inkluderer men er ikke begrænset til skruetrækkerbits, bor, bits, slibeværk, sandpapir og klinger, sidestyrt
 - Komponenter (dele og tilbehør) som er udsat for naturligt slid og ælde, inklusiv men ikke begrænset til Service- og vedligeholdelsessæt, kulbrøster, lejer, bøsninger, påsætning eller modtagelse af SDS-bor, El ledning, hjælpehåndtag, transporttaske, sandplade, støvpose, støvdudstødningslange, filterkiver, nåle og fjedre slagngøle etc.
- For eftersyn skal produktet sendes til eller præsenteres for en RYOBI-autoriseret service værksted, som er oplistet for hvert land i den følgende liste over service værksted adresser. I nogle lande påtager din lokale RYOBI-forhandler sig ansvaret for at sende produktet til RYOBI-serviceorganisationen. Når et produkt sendes til en RYOBI-service værksted, skal det pakkes sikkert ind uden noget farligt indhold som benzin, mærkes med afsenderens adresse og med en kort beskrivelse af fejlen.
- En reparation/erstatning under denne garanti er gratis. Den udgør ikke en forlængelse eller en ny start på garantiperioden. Udvekslede dele eller værktøjer bliver vores ejendom. I nogle lande skal leveringsafgifter eller porto betales af afsenderen. Dine lovbestemte rettigheder i forbindelse med købet forbliver uanfægtede
- Denne garanti gælder i EU, Schweiz, Island, Norge, Liechtenstein, Tyrkiet og Rusland. Udenfor disse områder bedes du kontakte din autoriserede RYOBI-forhandler for at afgøre, om en anden garanti gælder.

AUTORISEREDE SERVICE/VERKSTEDER

Find nærmeste autoriserede serviceværksted på <http://dk.ryobitools.eu/header/service-and-support/service-agents>.

SV RYOBI® ANVÄNDNINGSVILLKOR FÖR GARANTI

Förutom eventuella lagstadgade rättigheter som uppstår genom köpet, täcks den här produkten av en garanti som anges nedan.

- Garantiperioden är 24 månader för konsumenter och börjar gälla från det datum då produkten köptes. Detta datum måste dokumenteras på en faktura eller annat köpbevis. Produkten är utformad och avsedd för konsumenter och privat bruk. Därmed tillhandahålls ingen garanti vid yrkesmässigt eller kommersiellt bruk.
- Det finns möjlighet att förlänga garantiperioden för en del av utbudet för elverktyg (AC/DC) under den period som anges ovan genom att använda registreringen på webbplatsen www.ryobitools.eu. De verktyg som är berättigade till en förlängning av garantiperioden visas tydligt i butiker och/eller på förpackningen/och anges i produktdokumentationen. Slut användaren behöver registrera hans/hennes nyförvävade verktyg online inom 30 dagar från köpdatumet. Slut användaren kan registrera sig för den förlängda garantin i det land där han/hon bor om landet finns angivet i registreringsformuläret online och där detta alternativ är giltigt. Dessutom måste slut användaren ge sitt medgivande till lagring av data vilket krävs vid registrering online samt acceptera villkoren. Bekräftelsekvittot för registreringen som skickas ut via e-post och originalfakturan som visas köpdatumet kommer att gälla som bevis för den förlängda garantin.
- Garanti täcker alla produktdefekter under garantiperioden som beror på brister i utförande eller material vid köpdatumet. Garantin är begränsad gällande reparation och/eller utbyte och inkluderar inte några skyldigheter inklusive men inte begränsat till oförutsedda skador eller följskador. Garantin är inte giltig om produkten har missbrukats, använts i strid med bruksanvisningen eller inte anslutits på rätt sätt. Denna garanti täcker inte:
 - eventuella skador på produkten som uppstått till följd av felaktigt underhåll
 - produkter som har ändrats eller modifierats
 - produkter där ursprungliga identifieringsmärkningar (varumärke, serienummer) har målats över, ändrats eller tagits bort
 - eventuella skador som uppstått till följd av att bruksanvisningen inte efterföljts
 - alla icke CE-produkter
 - eventuella produkter som har försökts repareras av en icke-kvalificerad yrkesman eller utan föregående medgivande från Technronic Industries.
 - eventuella produkter som anslutits till felaktig strömförsörjning (ampere, volt, frekvens)
 - eventuella skador som uppstått till följd av yttre påverkan (kemisk, fysisk, stötar) eller främmande ämnen
 - normalt slitage av reservdelar
 - olämplig användning, överbelastning av verktyget
 - användningen av icke-godkända tillbehör eller delar
 - tillbehör till elverktyg som medföljde verktyget eller köpts separat. Sådana undantag inkluderar men är inte begränsat till skruvmejselbits, borrbits, slipskivor, sandpapper, blad och sidoskena
 - Komponenter (delar och tillbehör) är föremål för naturligt slitage, inklusive men inte begränsat till service- och underhållsatsar, kolborstar, kullager, chuck, tillbehör eller tillhörande SDS-borrbitt, strömsladd, hjälphandtag, transportväska, slipplatta, damppåse, dammtullblåsar, filterbrickor, stift och fjädrar till mutterdragare osv.
- Vid service måste produkten skickas eller uppvisas för en RYOBI- auktoriserad servicestation som står angiven för varje land i följande adresslista över servicestationer. I vissa länder tar din lokala RYOBI- återförsäljare på sig ansvaret att skicka produkten till RYOBI- serviceorganisationen. När en produkt skickas till en RYOBI- servicestation, ska produkten paketeras säkert utan något farligt innehåll såsom bensin, markeras med avsändarens adress samt en kort beskrivning av felet.
- En reparation/ett utbyte under denna garanti är kostnadsfri. Det utgör inte en förlängning eller förnyelse av garantiperioden. Utbyta delar eller verktyg blir vår egendom. I vissa länder måste leveranskostnader eller porto betalas av avsändaren. Dina lagstadgade rättigheter som härrör från köpet av verktyget förblir opåverkade
- Denna garanti är giltig i Europeiska gemenskapen: Schweiz, Island, Norge, Liechtenstein, Turkiet och Ryssland. Utanför dessa länder, kontakta din auktoriserade RYOBI-återförsäljare för att avgöra om en annan garanti gäller.

AUKTORISERAT SERVICECENTER

Du hittar närmaste auktoriserade servicecenter genom att gå till <http://se.ryobitools.eu/header/service-and-support/service-agents>.

FI RYOBI®-TAKUUN SOVELTAMISEHDOT

Tällä tuotteella on oston luomien lakisäästeiden oikeuksien ohella alla mainitun mukainen takuu.

- Takuun kesto on kuluttajille 24 kuukautta ja takuuaika alkaa tuotteen ostohetkestä. Tämän päivämäärän tulee lukea laskussa tai muussa ostotositteessa. Tuote on suunniteltu ja tarkoitettu vain kuluttajien ja yksityiseen käyttöön. Takuu ei siis kata ammatti- eikä kaupallista käyttöä.
- Joidenkin sähkötyökalujen (AC/DC) takuun kesto on mahdollista laajentaa yllä mainittua kestoä pidemmäksi verkko-sivuston www.ryobitools.eu rekisteröinnin kautta. Työkalujen kelppisuutta takuujakson laajennukseen näkyy selkeästi myymälöissä ja/tai pakkauksissa ja/ tai tämä tieto sisältyy tuotedokumentaation. Loppukäyttäjän täytyy rekisteröidä vasta hankitut työkalut internetissä 30 päivän kuluessa ostopäivämäärästä. Loppukäyttäjät voi rekisteröidä laajennettun takuun kotimaassaan, jos se on luetteluna online-rekisteröintilomakkeessa, jossa mainitaan, missä tämä vaihtoehto on voimassa. Loppukäyttäjien täytyy lisäksi hyväksyä tietojen tallennus, jotka heidän täytyy antaa online-tilassa sekä ehdot. Rekisteröinnin vahvistuskuitti, joka lähetetään sähköpostitse, ja alkuperäinen ostopäivämäärän ilmaiseva lasku toimivat laajennettun takuun tositteina.
- Takuu kattaa kaikki tuotteeseen takuuaikana tulevat viat, joiden aiheuttajina ovat tuotteessa ostopäivänä olleet valmistus- tai materiaali-viat. Takuu on rajoitettu korjaukseen ja/tai vaihtoon eikä se sisällä mitään muuta velvoitetta mukaan lukien satunnais- ja seuranaisvahinkoja, mutta rajoittumatta niihin. Takuu ei päde, jos tuotetta on käylytty väärin, käyttöohjeen vastaisesti tai jos se on liitetty virheellisesti. Tämä takuu ei kata:
 - virheellisestä huollosta johtuvia vaurioita
 - muunnettua tai muutettua tuotetta
 - tuotetta, jonka alkuperäiset tunnistemerkinnät (tavaramerkki, sarjanumero) on turmeltu, muutettu tai poistettu
 - tämän käyttöoppaan laiminlyönnistä johtuvia vaurioita
 - ei-CE-tuotetta
 - tuotetta, jota on yrittänyt korjata epäpätevä ammattilainen tai joka on korjattu ilman Technronic Industriesin emakkoluopaa.
 - tuotetta, joka on liitetty virheelliseen teholähteeseen (ampeirit, jännite, taajuus)
 - ulkoisten vaikutusten (kemiallinen, fyysinen, iskut) tai vieraiden aineiden aiheuttamaa vauriota
 - normaaleja kuluvia vaurioita
 - virheellistä käyttöä, työkalun ylikuormitusta
 - ei-hyväksytyjen tarvikkeiden tai osien käyttöä
 - sähkötyökalun tarvikkeita, jotka on toimitettu työkalun mukana tai ostettu erikseen. Poissuljettuja osia ovat ruuvausterät, poranterät, hiomalaikat, hiekkapaperi ja terät, sivuohjain, näihin kuitenkaan rajoittumatta
 - Luonnollisesti kuluvia komponentteja (osia tai tarvikkeita), joihin sisältyvät huolto- ja kunnossapitoset, hiiliharjat, laakerit, terästäkat, SDS-porien kiinnitin tai istukka, virtajohto, apukahva, kuljetuskotelo, hiomalaikka, pölypussi, pölynpoistoputki, huopatiivisteet, iskunvääntimen pultit ja jouset yms. näihin kuitenkaan rajoittumatta.
- Tuote on lähetettävä huollettavaksi valtuutettuun RYOBI-huoltoon tai näyteltävä siellä. Niiden osoitteet kussakin maassa löytyvät seuraavasta luettelosta. Joissakin maissa paikallinen RYOBI-jälleenmyyjä huolehtii tuotteen lähetyksestä RYOBI-huolto-organisaatioon. Kun tuote lähetetään RYOBI-huoltoon, se täytyy pakata hyvin ilman vaarallisia aineita, kuten polttoainetta, ja pakkaukseen täytyy merkitä lähettäjän nimi sekä vain lyhyt kuvaus.
- Takuun kattama korjaus/vaihto on maksuton. Se ei tarkoita takuuaajan laajennusta tai alkamista alusta. Vaihdetut osat tai työkalut siirtyvät valmistajan omistukseen. Joissakin maissa lähettäjän täytyy maksaa lähetyksustannukset tai postikulut. Työkalun oston luomat lakisäästeet oikeudet pysyvät koskemattomina
- Tämä takuu on voimassa Euroopan yhteisössä, Sveitsissä, Islannissa, Norjassa, Liechtensteinissä, Turkissa ja Venäjällä. Ota näiden alueiden ulkopuolella yhteyttä omaan valtuutettuun RYOBI-jälleenmyyjään ja selvitä, onko jotain muuta takuuta.

VALTUUTETTU HUOLTO

Voit etsiä lähimmän valtuutetun huollon sivulta <http://fi.ryobitools.eu/header/service-and-support/service-agents>.

NO RYOBI® GARANTIBETINGELSER

I tillegg til eventuelle lovbestemte rettigheter som følger av kjøpet, er dette produktet dekket av en garanti som angitt nedenfor.

1. Garantiperioden er 24 måneder for konsumenter og gjelder fra den datoen som produktet ble kjøpt. Denne datoen skal dokumenteres med en faktura eller annet kjøpsbevis. Produktet er designet og beregnet kun til konsument- og privat bruk. Så det gis ingen garanti ved profesjonell eller kommersiell bruk.
2. For en del av utvalget av elektriske verktøy (AC/DC) er det mulighet til å utvide garantiperioden i den perioden som er beskrevet ovenfor ved bruk av registreringer på nettsidene www.ryobitools.eu. Kvalifisering av verktøyene for en utvidelse av garantiperioden er tydelig vist i butikker og/eller på pakningen / og finnes innen produktdokumentasjonen. Sluttbrukeren må registrere sine nylig anskaffede verktøy online innen 30 dager etter kjøpsdato. Sluttbrukeren kan registrere seg for den utvidede garantien i sitt land hvis det er opplistet på online registreringsskjemaet der dette alternativet er gyldig. Videre må sluttbrukere gi sitt samtykke til oppbevaring av dataene som kreves for å gå online, og de må godta vilkår og betingelser. Registreringsbekreftelsen, som sendes ut på e-post, og den originale fakturaen som viser kjøpsdato, vil tjene som bevis for den utvidede garantien.
3. Garantien dekker alle defekter i produktet under garantiperioden på grunn av defekter i utførelse eller materiale på kjøpsdato. Garantien er begrenset til å reparere og/eller erstatte og inkluderer ikke noen andre forpliktelser, inkludert, men ikke begrenset til, tilfældige eller følgesmessige skader. Garantien er ikke gyldig hvis produktet har blitt misbrukt, brukt på annen måte enn det som beskrives i bruksanvisningen eller er koblet til på feil måte. Denne garantien gjelder ikke for:
 - enhver skade på produktet som er resultat av utlitterkkelig vedlikehold
 - ethvert produkt som har blitt endret eller modifisert
 - ethvert produkt der de originale identifiseringsmerkene (varemerke, serienummer) har blitt uleselig, er endret eller fjernet
 - enhver skade som forårsakes av ikke-overholdelse av instruksjonshåndboken
 - ethvert ikke-CE-produkt
 - ethvert produkt som har blitt forsøkt reparert eller av en ikke-kvalifisert fagperson eller uten tidligere autorisasjon fra Techtronic Industries.
 - ethvert produkt tilkoblet feil strømforsyning (ampere, spenning, frekvens)
 - enhver skade som er forårsaket av eksterne påvirkninger (kjemiske, fysiske, støt) eller fremmede stoffer
 - normal slitasje og sliteservevedler
 - feil bruk, overbelastning av verktøyet
 - bruk av ikke-godkjent tilbehør eller deler
 - Elektrisk verktøytilbehør levert med verktøyet eller kjøpt separat. Slike ekskluderinger, inkludert, men ikke begrenset til skrutrekkerbits, drillbits, slipedisker, sandpapir og blader, lateral føring
 - Komponenter (deler og tilbehør) som er utsatt for naturlig slitasje, inkludert, men ikke begrenset til service- og vedlikeholdssett, karbonborster, lagre, chuck, SDS-borrbifeste eller -mottak, strømledning, hjelpéhåndtak, transportbæreske, sandingsplate, støvpose, støvutslippsrør, filtpakninger, støtnøkkelpinner og fjær, osv.
4. For service må produktet sendes eller fremlegges for en RYOBI-autorisert servicestasjon opplistet for hvert land i den følgende listen over servicestasjonsadresser. I noen land sender den lokale RYOBI-forhandleren produktet til RYOBI serviceorganisasjonen. Ved å sende et produkt til en RYOBI servicestasjon skal produktet være sikkert pakket uten noe farlig innhold, slik som bensin, merket med senderens adresse og fulgt av en kort beskrivelse av feilen.
5. En reparasjon/erstatning under denne garantien er gratis. Den utgjør ingen forlengelse eller ny start av garantiperioden. Utvekslede deler eller verktøy blir vår eiendom. I noen land vil leveringskostnader eller frankering måtte betales av senderen. Dine lovbestemte rettigheter som oppstår fra kjøp av verktøyet forblir uberørt.
6. Denne garantien er gyldig i EU, Sveits, Island, Norge, Liechtenstein, Tyrkia og Russland. Utenfor disse områdene ta kontakt med din autoriserte RYOBI-forhandler om en annen garanti gjelder.

AUTORISERT SERVICESENTER

For å finne et autorisert servicecenter i nærheten, gå til <http://no.ryobitools.eu/header/service-and-support/service-agents>.

RU УСЛОВИЯ ПРИМЕНЕНИЯ ГАРАНТИИ НА ПРОДУКЦИЮ RYOBI®

Помимо законных прав, возникающих при покупке, данное изделие покрывается гарантией в соответствии с приведенными ниже пунктами.

1. Гарантийный период для покупателя составляет 24 месяца с даты покупки изделия. Дата покупки должна быть подтверждена полностью заполненным гарантийным талоном и чеком о покупке. Данное изделие предназначено только для частного использования покупателем. Поэтому гарантия не распространяется на использование в профессиональных или коммерческих целях.
2. Предусмотрена возможность продления для части изделий линейки электроинструментов (AC/DC) гарантийного периода с помощью регистрации на сайте www.ryobitools.eu. Право инструмента на продление гарантийного периода четко указано в магазинах и / или на упаковке / и содержится в сопутствующей инструменту документации. Конечный пользователь должен зарегистрировать свой приобретенный инструмент в течение 30 дней с даты покупки. Конечный пользователь может зарегистрировать свой инструмент на продление гарантии в стране своего проживания, если она указана в форме онлайн-регистрации. Кроме того, конечный пользователь должен дать свое согласие на хранение данных, которые необходимо ввести в онлайн-форму и принять правила и условия. Подтверждение регистрации, которое вы получите по электронной почте, заполненный гарантийный талон и оригинальный чек, в котором указана дата покупки, будут служить доказательством продленной гарантии.
3. Гарантия покрывает в течение гарантийного периода все дефекты качества или материала изделия на дату покупки. Гарантия ограничена ремонтом и / или заменой и не включает никакие другие обязательства, включая, но не ограничиваясь случайными или косвенными убытками. Гарантия становится недействительной, если изделие использовалось не по назначению, вопреки инструкциям, данным в Руководстве пользователя или было неправильно подключено. Настоящая гарантия не распространяется на:
 - любые повреждения изделия в результате неправильного технического обслуживания или недостаточного ухода за инструментом
 - любые изделия, подвергшиеся изменениям и модификации
 - любые изделия, оригинальные идентификационные отметки которого (торговая марка, серийный номер) были повреждены, изменены или удалены
 - любые повреждения, вызванные несоблюдением инструкций Руководства пользователя
 - любые изделия, не сертифицированные маркировкой "CE" для продажи в Европейском союзе
 - любые изделия, подвергшиеся попыткам ремонта неквалифицированным работником или без предварительного утверждения компанией Techtronic Industries.
 - любые изделия, подключенные к неправильному источнику питания (сила тока, напряжение, частота)
 - любые повреждения, вызванные внешними воздействиями (химические, физические, удары) или посторонними веществами
 - естественный износ запасных деталей
 - несоответствующее использование, перегрузка инструмента
 - использование неутвержденных аксессуаров и неофициальных запасных деталей
 - аксессуары электроинструментов, поставляемые с инструментом или приобретаемые отдельно. К этому списку относятся, но не исчерпывают его: сверла шуруповертов, дрелей, абразивные диски, наждачную бумагу, лезвия и боковые направляющие
 - компоненты (детали и аксессуары), подверженные естественному износу и развалу, включая, но не ограничиваясь наборы для технического обслуживания, угольные щетки, подшипники, патроны, переходники SDS, кабели питания, дополнительные ручки, футляры для транспортировки, шифовальные подошвы, пылесборники, трубки для отвода пыли, войлочные шайбы, штыри и пружины ударных ключей и др.
4. Для проведения технического обслуживания изделие следует направлять в авторизованные сервисные центры RYOBI, указанные для каждой страны в приведенном ниже списке адресов станций сервисного обслуживания. В некоторых странах местные дилеры RYOBI отправляют изделия в сервисные организации RYOBI. При отправке изделия в сервисный центр RYOBI, изделие должно быть безопасно упаковано и не содержать никаких опасных веществ, таких как бензин, должен быть подписан адрес отправителя и сопровождаться кратким описанием неисправности.
5. Ремонт / замена проводится в рамках настоящей гарантии бесплатно. Он не продлевает гарантию и не начинает новый гарантийный период. Заменяемые детали и инструменты становятся нашей собственностью. В некоторых странах отправитель должен оплачивать стоимость отправки. Ваши законные права, возникшие при покупке инструмента, остаются неизменными
6. Данная гарантия действительна в Европейском Сообществе, Швейцарии, Исландии, Норвегии, Лихтенштейне, Турции и России. Вне указанных территорий обращайтесь к своему авторизованному дилеру RYOBI, чтобы узнать, применяются ли условия каких-либо других гарантий.

УПОЛНОМОЧЕННЫЙ СЕРВИСНЫЙ ЦЕНТР

Чтобы найти ближайший уполномоченный сервисный центр, обратитесь к веб-сайту <http://ru.ryobitools.eu/header/service-and-support/service-agents>.

PL WARUNKI GWARANCJI RYOBI®

Oprócz praw ustawowych wynikających z zakupu produkt jest objęty gwarancją, której warunki podano poniżej.

1. Okres gwarancyjny wynosi 24 miesiące dla konsumentów i rozpoczyna się w dniu zakupu produktu. Datę zakupu należy udokumentować fakturą lub innym dowodem zakupu. Produkt został zaprojektowany i jest przeznaczony do użytku konsumenckiego i prywatnego. W związku z tym gwarancja nie obejmuje zastosowań profesjonalnych i komercyjnych.
2. Istnieje możliwość wydłużenia okresu gwarancyjnego dla części asortymentu narzędzi ręcznych z napędem mechanicznym (AC/DC) poprzez zarejestrowanie produktu na stronie internetowej www.ryobitools.eu. Kwalifikowalność narzędzi do wydłużenia okresu gwarancyjnego jest wyraźnie określona w sklepach i/lub na opakowaniu oraz w dokumentacji produktu. Użytkownik końcowy musi zarejestrować nowo kupione narzędzia online w ciągu 30 dni od daty zakupu. Użytkownik końcowy może zarejestrować się w celu przedłużenia gwarancji w swoim kraju zamieszkania, jeżeli jest on wymieniony w formularzu rejestracji online, gdzie opcja ta obowiązuje. Ponadto użytkownicy końcowi muszą wyrazić zgodę na przechowywanie danych, wprowadzanych na stronie internetowej i zaakceptować regulamin. Dowodem wydłużenia gwarancji jest wysłane pocztą elektroniczną potwierdzenie rejestracji i oryginalny faktury potwierdzającej datę zakupu.
3. Gwarancja obejmuje wszystkie wady produktu ujawnione w okresie gwarancyjnym wynikające usterek wykonania lub materiału obecnego w dniu zakupu. Gwarancja jest ograniczona do naprawy i/lub wymiany i nie obejmuje żadnych innych zobowiązań, w tym między innymi odpowiedzialności za szkody przypadkowe lub wtórne. Gwarancja nie obowiązuje, jeżeli produkt był nieprawidłowo używany, używany niezgodnie z instrukcją lub nie był prawidłowo podłączony. Gwarancja nie obejmuje:
 - uszkodzenia produktu wynikającego z nieprawidłowej konserwacji,
 - produktu, który został zmieniony lub zmodyfikowany,
 - produktu, którego oryginalne oznaczenie (znak towarowy, numer seryjny) zostało zniszczone, zmienione lub usunięte,
 - jakiegokolwiek uszkodzeń wynikających z nieprzestrzegania instrukcji,
 - jakiegokolwiek produktu bez certyfikatu CE,
 - jakiegokolwiek produktu, który próbowano naprawiać z pomocą niewykwalifikowanej osoby lub bez uzyskania wcześniejszej zgody firmy Techtronic Industries.
 - jakiegokolwiek produktu podłączonego nie prawidłowego źródła zasilania (nieprawidłowe napięcie prądu, napięcie, częstotliwość),
 - jakiegokolwiek uszkodzeń spowodowanych wpływem czynników zewnętrznych (chemicznych, fizycznych, drgań) lub substancji obcych,
 - normalnego zużycia części zamiennych,
 - nieprawidłowego użycia, przeciążenia narzędzia,
 - stosowania niezatwierdzonych akcesoriów lub części,
 - akcesoriów narzędzi ręcznych z napędem mechanicznym dostarczonych z narzędziem lub kupionych oddzielnie. Takie wykluczenia obejmują, między innymi, wymienne ostrza wkrętaka, wiertła, tarcze cierne, papier ścierny i ostrza, prowadnicę boczną.
 - elementów (części i akcesoriów) podlegających naturalnemu zużyciu obejmujących, między innymi, zestawy do konserwacji i serwisu, szczotki węglowe, łożyska, uchwyty, przystawkę wiertła SDS, gniazdo, przewód zasilania, uchwyty pomocnicze, skrzynię transportową, płytę szlifierską, worek pyłowy, rurę odprowadzania pyłu, podkładki filcowe, kolki i sprężyny klucza udarowego itp.
4. W celu serwisowania produkt należy wysłać lub okazać w autoryzowanym punkcie serwisowym RYOBI znajdującym się na przedstawionym poniżej wykazie punktów serwisowych w poszczególnych krajach. W niektórych krajach lokalny dystrybutor produktów RYOBI podejmuje się wysyłki produktu do centrum serwisowego RYOBI. W przypadku wysyłki do punktu serwisowego RYOBI produkt — pozbawiony jakiegokolwiek niebezpiecznych substancji, na przykład benzyny — należy bezpiecznie zapakować i dołączyć adres nadawcy oraz krótki opis usterek.
5. Naprawa/wymiana w ramach niniejszej gwarancji jest bezpłatna. Nie stanowi jednak o przedłużeniu lub rozpoczęciu od nowa biegu okresu gwarancyjnego. Wymienione części lub narzędzia stają się naszą własnością. W przypadku niektórych krajów nadawca będzie musiał uregulować koszty dostawy lub opłaty pocztowe. Prawa ustawowe wynikające z zakupu narzędzia pozostają niezmienione.
6. Niniejsza gwarancja obowiązuje w Unii Europejskiej, Szwajcarii, Islandii, Norwegii, Liechtensteinie, Turcji i Rosji. Poza tymi obszarami należy skontaktować się z autoryzowanym dostawcą produktów RYOBI i ustalić, czy obowiązuje inna gwarancja.

AUTORYZOWANY PUNKT SERWISOWY

Najbliższy autoryzowany punkt serwisowy można wyszukać w witrynie internetowej <http://pl.ryobitools.eu/header/service-and-support/service-agents>.

CS ZÁRUČNÍ PODMÍNKY RYOBI®

Kromě zákonných práv vyplývajících z koupě výrobku se na tento výrobek vztahuje také níže uvedeně záruka.

1. Záruční doba pro spotřebitele je 24 měsíců a začíná datem nákupu výrobku. Datum musí být zaznamenáno na fakturě nebo jiném dokladu o koupi. Tento výrobek je navržen a určen pouze pro soukromé účely spotřebitelů. Záruka se tedy nevztahuje na profesionální nebo komerční využití výrobku.
2. U některých elektrických nástrojů (AC/DC) je možné záruční dobu prodloužit. K tomu je nutná registrace na stránkách www.ryobitools.eu. Možnost prodloužení záruční doby výrobků je jasně uvedena v prodejních, popř. na obalech nebo v dokumentech o výrobku. Koncový uživatel musí svůj nový nástroj zaregistrovat online do 30 dnů od data nákupu. Koncový uživatel se může k prodloužení záruční doby zaregistrovat v zemi trvalého pobytu, pokud je tato uvedena na internetovém registračním formuláři u výrobku, kde je tato možnost dostupná. Koncový uživatel musí dále souhlasit s uložením osobních údajů, která musí zadat na internetu, a přijmout obchodní podmínky. E-mail s původní registrací a původní faktura s datem koupě poslouží jako důkaz o prodloužení záruce.
3. Záruka se vztahuje na veškeré vady na výrobek v rámci záruční doby způsobené výrobními vadami nebo vadami materiálu v době koupě. Záruka je omezena na opravu, popřípadě výměnu a nezahrnuje žádné další povinnosti, včetně mimo jiné vedlejších či následných odškodnění. Záruka neplatí při použití výrobku k nevhodným účelům, v rozporu s uživatelskou příručkou nebo při nesprávném zapojení. Záruka se nevztahuje na:
 - veškeré škody na výrobku způsobené nesprávnou údržbou
 - veškeré produkty, které byly pozměněny nebo upraveny
 - veškeré produkty, kde byly původní identifikační prvky (obchodní značka, sériové číslo) poňeny, pozměněny nebo odstraněny
 - veškeré škody způsobené nedodržením pokynů uživatelské příručky
 - veškeré produkty bez CE certifikace
 - veškeré produkty, které se pokusil opravit nekvalifikovaný odborník nebo opravy bez předchozího svolení společnosti Techtronic Industries.
 - veškeré produkty zapojené do nesprávného elektrického zdroje (proud, napětí, frekvence)
 - veškeré škody způsobené externími vlivy (chemickými, fyzickými, nárazy) nebo cizími látkami
 - běžné opotřebování dílů
 - nevhodné použití, přetěžování nástroje
 - použití neschválených příslušenství nebo dílů
 - příslušenství k elektrickému nástroji poskytnuté s nástrojem nebo zakoupené samostatně. Tyto výjimky se vztahují mimo jiné na šroubovací bity, vrtáky, brusné disky, brusný papír a čepele, postranní vodič lišty
 - komponenty (díly a příslušenství) podléhající přirozenému opotřebování, včetně mimo jiné servisních sad, karbonových kartáčů, ložisek, sklíčidla, SDS nástavce na vrtací bity, napájecího kabelu, pomocné rukojeti, přepravního pouzdra, brusné desky, prachového vaku, výfukové prachové trubice, plstěných podložek, západek a pružin rážového utahovačku atd.
4. K provedení servisu musí být výrobek zaslán nebo předán do autorizovaného servisního centra společnosti RYOBI, jejichž adresy jsou uvedeny podle zemi v seznamu servisních center. V některých zemích za vás výrobek pošle servisní organizaci RYOBI sám prodejce výrobků této značky. Při zasílání výrobku do servisního centra RYOBI je potřeba výrobek bezpečně zabalit bez nebezpečného obsahu jako benzín, opatřit adresou odesílatele a přiložit krátký popis závady.
5. Oprava, popř. výměna v rámci této záruky je zdarma. Neznamená to prodloužení nebo začátek nové záruční lhůty. Vyměněné díly nebo nástroje přejdou do našeho vlastnictví. V některých zemích platí poštovné odesílatele. Vaše zákonná práva vyplývající z koupě tohoto nástroje zůstávají nedotčena.
6. Tato záruka platí v Evropském Společenství, Švýcarsku, Norsku, Lichtenštejnsku, Turecku, Rusku a na Islandu. Mimo tato území kontaktujte autorizovaného prodejce značky RYOBI, který zjistí, zda se na výrobek vztahuje jiná záruka.

POVĚŘENÉ SERVISNÍ STŘEDISKO

Pro nalezení nejbližšího pověřeného servisního střediska navštivte <http://cz.ryobitools.eu/header/service-and-support/service-agents>.

HU A RYOBI® GARANCIA ALKALMAZÁSÁNAK FELTÉTELEI

A vásárlásból adódó törvényben rögzített jogok mellett a termékre az alábbi garancia vonatkozik.

1. A fogyasztói garancia tartama 24 hónap, mely a termék vásárlásának napjával kezdődik. Ezt a dátumot számlával vagy a vásárlást igazoló egyéb dokumentummal kell bizonyítani. A termék rendeltetése csak fogyasztói és magáncélú használat. Ezért professzionális vagy kereskedelmi használat esetén a garancia nem érvényes.
2. A szerszámgépek (egyenáramú/váltóáramú) egy részénél a garancia időtartama a www.ryobitools.eu weblapon regisztrálva meghosszabbítható. Az áruházakban, a csomagoláson, illetve a termék dokumentációjában egyértelműen jelezzük van, hogy az adott termék garanciája meghosszabbítható-e. A végfelhasználónak a vásárlás dátumától számított 30 napon belül regisztrálnia kell az újonnan vásárolt szerszámot. A végfelhasználó akkor regisztrálhatja a kiterjesztett garanciára, ha az ország, ahol lakik, fel van sorolva az online regisztrációs űrlapon azon országok között, ahol választható ez az opció. Ezenkívül a végfelhasználónak bele kell egyeznie az online regisztrálás során szükséges adatok tárolásába, és el kell fogadnia a felhasználási feltételeket. A kiterjesztett garanciát a regisztráció beérkezésétől e-mailben küldött visszaigazolás és a vásárlás dátumát tartalmazó eredeti számla igazolja.
3. A garancia a termék vásárlásakor fennálló, a gyártás során keletkezett hibákra és anyaghibákra érvényes a garanciális időtartamon belül. A garancia csak a javításra/cserére korlátozódik, és nem terjed ki semmilyen egyéb kötelezettségre, nem kizárólagosan ideértve a véletlen vagy szándékos rongálást. A garancia nem érvényes, ha a terméket nem megfelelően, a használati utasításban foglaltakkal ellentétben, illetve nem megfelelően csatlakoztatva használták. A garancia nem vonatkozik:
 - a terméket a nem megfelelő karbantartás következtében ért károsodásra
 - megváltoztatott vagy átalakított termékre
 - olyan termékre, melyen az eredeti azonosítókat (védjegy, sorozatszám) megrongálták, megváltoztatták vagy eltávolították
 - a használati utasítás be nem tartásából eredő kárra
 - CE jelöléssel nem rendelkező termékekre
 - olyan termékre, melyet nem képzett, illetve a Techtronic Industries által nem fejlesztett szerelvény javított
 - nem megfelelő (áramerősségű, feszültségű, frekvenciájú) áramforrásra csatlakoztatott termékre
 - külső (vegyi, fizikai, ütés) hatásokból vagy idegen anyagokból eredő károkkra
 - a cserélhető alkatrészek természetes kopására és elhasználódására
 - a szerszám helytelen használatára, túlterhelésére
 - nem jóváhagyott tartozékok és alkatrészek használatára
 - A szerszámmal adott vagy külön megvásárolt tartozékokra. Ilyenek például (de nem kizárólag) a csavarhűzőfejek, fúrószárak, csiszolókorongok, csiszolópapír, kések, oldallirányú terelők.
 - A természetes kopásnak, elhasználódásnak kitett alkatrészek és kiegészítők, például (de nem kizárólag) szerviz- és karbantartókészletek, szénkéfek, csapagyak, tokmány, SDS fúrószár csatlakozója, tápkábel, segédfogantyú, szállítók, csiszolólap, porzsák, porelvezető cső, filcaltátek, ütműves csavarbehajtó gép csapszege és rugója stb.
4. A terméket javításra el kell vinni egy meghatalmazott RYOBI szervizbe; ezeket az egyes országokhoz a következő listában találja. Egyes országokban a helyi RYOBI kereskedő vállalja a termék elszállítását a RYOBI szervizbe. A terméket veszélyes tartalom, például benzín nélkül csomagolja, a feladó címét feltüntetve, a hiba rövid leírásával együtt küldje el a RYOBI szervizbe.
5. A jelen garancia hatálya alatt végzett javítás, illetve csere ingyenes. Nem jelenti a garanciális időtartam újraindulását. A kicserélt alkatrészek és szerszámok a mi tulajdonunkba kerülnek. Egyes országokban a szállítás vagy postázás költségét a feladó viseli. A vevőnek a szerszám megvásárlásából adódó törvényes jogai nem változnak.
6. Jelen garancia az Európai Közösségben, Svájcban, Izlandon, Norvégiában, Liechtensteinben, Törökországban és Oroszországban érvényes. E területeken kívül kérdezze meg a RYOBI forgalmazót, hogy milyen garancia van érvényben.

HIVATALOS SZERVIZKÖZPONT

A legközelebbi hivatalos szervizközpont megtalálásához látogasson el a <http://hu.ryobitools.eu/header/service-and-support/service-agents>.

RO CONDIȚII DE APLICARE A GARANȚIEI PENTRU PRODUSELE RYOBI®

În plus față de condițiile statutare rezultate din achiziționarea acestui produs, acesta este acoperit de garanția stipulată mai jos.

1. Perioada de garanție este de 24 de luni pentru consumatori și începe de la data achiziționării produsului. Data de începere a garanției trebuie demonstrată cu o factură sau altă dovadă a cumpărării produsului. Produsul este destinat și conceput doar pentru utilizare în scopuri personale. Din acest motiv, nu se oferă garanție pentru utilizarea sa în scop profesional sau comercial.
2. Există posibilitatea de a extinde a perioadei de garanție pentru gama de unelte electrice (de CA/CC) peste perioada stipulată mai sus prin înscirierea produsului pe [website-ul www.ryobitools.eu](http://www.ryobitools.eu). Eligibilitatea pentru perioada de extindere a garanției este afișată în mod clar în magazinele de vânzare și/sau pe ambalaj sau este inclusă în documentația livrată împreună cu produsul. Utilizatorul final este obligat să-și înregistreze produsul online în termen de maxim 30 de zile de la data achiziției acestuia. Utilizatorul final poate înregistra produsul pentru garanția extinsă oferită în țara sa de rezidență dacă aceasta este listată în formularul de înregistrare online și dacă această opțiune este validă. În plus, utilizatorul final trebuie să-și dea acordul pentru stocarea datelor personale solicitate la înregistrarea online și trebuie să accepte termenii și condițiile. Mesajul de confirmare a înregistrării, trimis prin e-mail și factura originală cu data achiziției vor dovedi perioada de garanție extinsă.
3. Garanția acoperă toate defecțiunile produsului survenite în perioada de garanție datorate defectelor de execuție sau materialelor folosite, începând cu data achiziției acestuia. Garanția este limitată la reparare și/sau înlocuire și nu include alte obligații, inclusiv, dar fără a se limita la daune accidentale sau rezultate pe cale de consecință. Garanția își pierde valabilitatea dacă produsul este utilizat necorespunzător, utilizat neconform cu instrucțiunile de utilizare din manualul cu instrucțiuni sau conectat incorect. Garanția nu se aplică în cazul:
 - oricărei defecțiuni survenite în urma întreținerii necorespunzătoare a produsului
 - oricărui produs alterat sau modificat
 - oricărui produs la care inscripțiile cu datele de identificare (marca comercială, numărul de serie) au fost șterse, modificate sau îndepărtate
 - oricărei defecțiuni datorate neconformării cu instrucțiunile din manualul de utilizare
 - oricărui produs necertificat CE
 - oricărui produs asupra căruia au fost efectuate tentative de reparare de către personal necertificat sau fără autorizație prealabilă din partea Techtronic Industries.
 - oricărui produs conectat la o sursă de alimentare necorespunzătoare (curent, tensiune, frecvență)
 - oricărui defecțiuni datorate unor influențe externe (chimice, fizice, socuri) sau substanțe străine
 - uzurii și fisurării normale a pieselor de rezervă
 - utilizării neadecvate, suprasolicitării uneltei
 - utilizării de piese și accesorii neaprobate
 - accesorilor pentru unelți furnizate odată cu acestea sau achiziționate separat. Acestea sunt excluse de la aplicare, dar fără a se limita la următoarele: burghie, biți de șurubelniță, discuri abrazive, hărte abrazive și lame de tăiere, ghidaje laterale
 - Componentele (piese și accesorii) supuse uzurii normale, care includ, fără a se limita la, kituri de întreținere și service, perle de carbon, rulmenți, mandrină, adaptor pentru burghie SDS, cordon de alimentare, mănere auxiliare, cutie de transport, placă pentru șlefuit, sac pentru praf, tub pentru evacuarea prafului, discuri de păsă, adaptoare și resorturi pentru cheile de strângere prin vibrație, etc.
4. Pentru efectuarea reparațiilor, produsul trebuie trimis sau adus la un centru de reparații autorizat RYOBI din lista următoare de centre de reparații prezentate pentru fiecare țară. În anumite țări, reprezentantul local RYOBI va trimite produsul spre reparare la sediul central de reparații RYOBI. Atunci când trimiteți produsul spre reparare la un centru de reparații RYOBI, acesta trebuie ambalat în siguranță, fără conținut periculos (cum ar fi benzina), marcat cu adresa expeditorului și însoțit de o scurtă descriere a defectului.
5. Repararea/inlocuirea în perioada de garanție este gratuită. Aceasta nu este însoțită de o prelungire sau o reinițiere a perioadei de garanție. Piesele sau uneltele schimbate devin proprietatea dvs. În anumite țări, taxele de expediție sau poștale vor fi suportate de expeditor. Drepturile dvs. statutare rezultate din achiziția produsului rămân neschimbate
6. Această garanție este valabilă în Comunitatea Europeană, Elveția, Islanda, Norvegia, Liechtenstein, Turcia și Rusia. În afara acestor zone, vă rugăm să contactați reprezentantul dvs. local RYOBI pentru a determina dacă se aplică alt tip de garanție.

CENTRU DE SERVICE AUTORIZAT

Pentru a găsi un centru de service autorizat lângă dvs., vizitați <http://en.ryobitools.eu/header/service-and-support/service-agents>.

LV RYOBI® GARANTIJAS PIEMĒROŠANAS NOSACĪJUMI

Papildus jebkādam likumiskajām tiesībām, kuras rodas, veicot pirkumu, izstrādājums tiek nodrošināts ar tālāk tekstā noteikto garantiju.

1. Garantijas periods patērētājiem ir 24 mēneši, tā atskaitē tiek sākta no datuma, kurā veikta izstrādājuma iegāde. Šim datumam jābūt dokumentētam rēķinā vai citā pirkumu apliecināšā dokumentā. Izstrādājums ir radīts un paredzēts tikai patērētāja privātai lietošanai. Saistībā ar iepriekšminēto, garantija netiek nodrošināta profesionālas vai komerciālas lietošanas gadījumā.
2. Pastāv iespēja pagarināt daļas no elektroinstrumentu klāsta (Mainstrāvas/akumulatoru) garantiju ilgāk par iepriekš minēto periodu, izmantojot reģistrāciju interneta vietnē www.ryobitools.eu. Instrumenti, kas pakļauti garantijas perioda pagarināšanai, tiek skaidri apzīmēti veikalos un/vai uz iepakojuma un izstrādājumu komplektējošajā dokumentācijā. Gala lietotājam nepieciešams reģistrēt tālruni jauno instrumentu 30 dienu laikā no pirkuma datuma. Gala lietotājs var reģistrēties pagarinātajai garantijai savas mītnes valstī, ja tā minēta tiesaisties reģistrācijas veidlapā, kurā šī iespēja ir aktīva. Bez tam, gala lietotājam ir jāsniedz pierādīšana tiesaisties ievadīšanai nepieciešamo datu glabāšanai un jāpiekrīt noteikumiem un nosacījumiem. Reģistrācijas apstiprinājums, kas tiek nosūtīts, izmantojot e-pastu, un rēķina oriģināls, kurā norādīts iegādes datums, kalpo kā pagarinātās garantijas apstiprinājums.
3. Garantija attiecas uz visiem izstrādājuma defektiem garantijas periodā, kas saistīti ar ražošanas vai materiālu defektiem no pirkuma datuma. Šī garantija tiek ierobežota ar remontu un/vai nomaiņu un neietver jebkādas citas saistības, tajā skaitā, bet ne tikai, cēloņsakarīgos vai saistītos bojājumus. Garantija nav spēkā, ja izstrādājums ir nepareizi lietots, izmantots pretēji norādēm lietošanas rokasgrāmatā vai bijis nepareizi pieslēgts. Šī garantija netiek attiecināta uz:
 - jebkādiem izstrādājuma bojājumiem, kas radušies nepareizas uzturēšanas rezultātā
 - jebkuru izstrādājumu, kas ticis pārveidots vai mainīts
 - jebkuru izstrādājumu, kura oriģinālais identifikācijas (preču zīme, sērijas numurs) marķējums ir ticis nodzēsts, mainīts vai noņemts
 - jebkādiem bojājumiem, kuri radušies neievērojot norādes lietošanas rokasgrāmatā
 - jebkādam izstrādājumam bez CE sertifikācijas
 - jebkuru izstrādājumam, kura remontu mēģinājis veikt nekvalificēts personāls vai bez Technonic Industries iepriekšējas autorizācijas.
 - jebkuru izstrādājumam, kurš bijis pieslēgts neatbilstošu parametru (strāvas, sprieguma, frekvences) sprieguma avotam
 - jebkuriem bojājumiem, kuri radušies ārējas iedarbības (ķīmiskas, fiziskas, triecieni) vai vielu ietekmē
 - detaļu normāla lietošanas nodiluma rezultātā
 - nepareizas lietošanas vai instrumentu pārslodzes rezultātā
 - neapstiprinātu detaļu vai aprīkojuma lietošanas rezultātā
 - elektroinstrumentu aksesuāriem, kas atrodas instrumenta komplektācijā vai ir iegādāti atsevišķi. Šis izņēmums attiecināms uz, bet neaprobežojoties ar, skrūvgrīvju uzgaļiem, urbjiem, abrazīvajiem diskkiem, smilšpapīru un asmeņiem, sānu vadotnēm
 - komponentiem (daļām un aksesuāriem), kas pakļauti normālam nodilumam, ieskaitot, bet neaprobežojoties ar Servisa un apkopju komplekti, oglekļa sukuks, gultņi, patrona, SDS urbju uztverējiem vai uzliks, elektrības vads, papildus rokturis, transportēšanas un pārmēšanas kaste, stipmašīnas plāksne, putekļu maisis, putekļu izvadīšanas caurule, paplākšņi, triecienatslēgu tapas un atsperes, u.t.t.
4. Servisa nodrošināšanai, izstrādājums ir jānodod pilnvarotā RYOBI servisa centrā, kas norādīts katrai valstij tālāk minētajā servisa centru adresē sarakstā. Dažas valstīs jūs vietējais RYOBI izplatītājs uzņemas izstrādājuma nosūtīšanu uz RYOBI servisa organizāciju. Nosūtīt izstrādājumu uz RYOBI servisa centru, izstrādājuma jābūt droši iepakotam, tas nedrīkst saturēt bīstamas vielas kā degvielu, sūtfūjumam jābūt marķētam ar sūtfūta adresi un īsu kļūmes aprakstu.
5. Remonts/nomaiņa šīs garantijas ietvaros ir bezmaksas. Tas nerada garantijas perioda pagarināšanu vai jaunu garantiju. Nomaiņās daļas vai instrumentu kļūst par mūsu īpašumu. Dažas valstīs piegādes vai pasta izmaksas būs jāapmaksā sūtfūtam. Jūsu likumiskās tiesības, kas nodibinās, iegādājoties instrumentu, paliek nemainīgas
6. Šī garantija ir spēkā Eiropas Kopienā, Šveicē, Islandē, Norvēģijā, Līhtenšteinā, Turcijā un Krievijā. Ārpus šīm teritorijām, lūdzu, sazinieties ar jūsu pilnvaroto RYOBI izplatītāju, lai noteiktu, vai ir piemērojama cita garantija.

AUTORIZĒTS APKALPOŠANAS CENTRS

Lai atrastu tuvāko autorizēto apkalpošanas centru, apmeklējiet <http://en.ryobitools.eu/header/service-and-support/service-agents>.

LT „RYOBI®“ GARANTIJOS TAIKYMO SĄLYGOS

Papildant bet kokias įstatybose numatytas perkant atsirandančias teises, šiam įrenginiui taikoma toliau nurodyta garantija.

1. Vartotojams suteikiama 24 mėnesių trukmės garantija nuo įrenginio įsigijimo datos. Ši data turi būti nurodyta sąskaitoje faktūroje ar kitame pirkimą įrodančiame dokumente. Šis įrenginys skirtas tik vartotojų rinkai ir asmeniniam naudojimui. Todėl garantija netaikoma, jei įrenginys naudojamas profesiniams ar komerciniams reikiams.
2. Įsigijus tam tikrus elektrinius įrenginius (AC/DC), suteikiama galimybė pratęsti garantiją, kad ji galiojūt ilgiau, nei nurodyta pirmiau, naudojantis registracija interneto svetainėje www.ryobitools.eu. Ar galima pratęsti įrenginio garantinį laikotarpį, aiškiai nurodoma parduotuvėse ir (arba) ant įrenginio pakuočės, ir (arba) įrenginio dokumentuose. Galutinis naudotojas turi užregistruoti savo naujai įsigytą įrenginį per 30 dienų nuo įsigijimo datos. Galutinis naudotojas gali registruotis išplėstinei garantijai savo gyvenamojoje šalyje, jei ji nurodyta internetinėje registracijos formoje, kurioje siūloma tokia galimybė. Be to, galutiniai naudotojai turi sutikti su duomenų, kuriuos reikia įvesti internetu, saugojimu ir sveatinės naudojimo sąlygomis. Kaip išplėstinės garantijos įrodymas naudojamas registracijos patvirtinimo kvitas, atsiunčiamas e. paštu, ir originali sąskaita faktūra, kurioje nurodyta įsigijimo data.
3. Ši garantija apima visus garantiniu laikotarpiu aptiktus įrenginio trūkumus, atsiradusius dėl gamybos arba medžiaginių defektų nuo įsigijimo datos. Ši garantija nįbjoama remontu ir (arba) pakeitimu, jei neapima jokių kitų įsipareigojimų, įskaitant (bet tuo neapsiribojant) šaltinius arba antrinius nuostolius. Garantija anuliuojama, jei įrenginys buvo naudojamas netinkamai, naudojamas ne pagal naudojimo instrukciją arba netinkamai prijungtas. Ši garantija netaikoma:
 - jokiai įrenginiui padarytai žalai, kurią lemė netinkama techninė priežiūra;
 - jokiam įrenginiui, kuris buvo keičiamas ar modifikuojamas;
 - jokiam įrenginiui, kurio originalūs identifikavimo ženklai (prekės ženklas, serijos numeris) buvo sugadinti, pakeisti arba pašalinti;
 - jokiai žalai, kurią lemė naudojimo instrukcijos nesilaikymas;
 - jokiems CE ženklų nepažymėtiems įrenginiams;
 - jokiam įrenginiui, kurį bandė remontuoti nekvalifikuoti asmenys arba kuris buvo remontojamas be „Technonic Industries“ leidimo;
 - jokiam įrenginiui, kuris buvo prijungtas prie netinkamo maitinimo tinklo (netinkamos srovės, įtampos, dažnio);
 - jokiai žalai, kurią lemė išorinis poveikis (cheminis, fizinis, smūgiai) arba pašalinės medžiagos;
 - dėvimosios dalimis;
 - netinkamam naudojimui, įrenginio perkrovai;
 - nepatvirtintų priedų arba dalių naudojimui;
 - su įrenginiu pateiktiems arba atskirai įsigytiems elektrinio įrenginio priedams. Šios išimty apima (tuo neapsiribojant) atsektuvų antgalius, gražtų antgalius, šlifavimo diskus, švitrinį popierių ir geležtes, šoninį kreiptuvą;
 - komponentams (dalims ir priedams), kurie natūraliai dėviis, įskaitant (bet tuo neapsiribojant) įprastines ir technines priežiūros rinkinius, anglinius šepetėlius, guolius, laikiklį, SDS gražtų antgalii priedą arba lizdą, maitinimo kabelį, pagalbinę rankeną, nešiojimo dėklą, šlifavimo diską, maišelį dulkmės, dulkių ištraukimo vamzdelį, fetro poveržles, smūginio veržliarakčio kaiščius ir spyruokles ir pan.
4. Prireikus atlikti priežiūros darbus, įrenginį reikia siųsti arba atvežti RYOBI įgaliotajam priežiūros centrui, nurodytam kiekvienos šalies priežiūros centrų adresų sąrašė. Kai kuriose šalyse vietinis RYOBI atstovas siunčia įrenginį RYOBI priežiūros organizacijai. Siunčiant įrenginį RYOBI priežiūros centrui, reikia saugiai jį supakuoti pašalinant visas pavojingas medžiagas, pvz., benzina, nurodyti ant pakuotės siuntytojo adresą ir pridėti trumpą gedimo aprašymą.
5. Pagal šią garantiją remontas / keitimas atliekami nemokamai. Tokie veiksmai netaikomi garantijos pratęsimu arba naujo garantinio laikotarpio pradžia. Dalys arba įrenginiai, kuriuos pakeitėme, tampa mūsų nuosavybe. Kai kuriose šalyse pristatymo ir pašto išlaidas turi padengti siuntėjas. Įstatybose numatytos Europos teisės, atsirandančios perkant įrenginį, lieka nepakeistos
6. Ši garantija galioja Europos bendrijoje, Šveicarijoje, Islandijoje, Norvegijoje, Lichtenšteine, Turkiijoje ir Rusijoje. Jei gyvenate ne šiose šalyse, kreipkitės į įgaliotąjį RYOBI atstovą ir sužinokite, ar jums taikoma kita garantija.

ĮGALIOTOS TECHNINĖS PRIEŽIŪROS CENTRAS

Jei norite surasti įgaliotą techninės priežiūros centrą netoli Jūsų, apsilankykite interneto svetainėje <http://en.ryobitools.eu/header/service-and-support/service-agents>.

ET RYOBI® GARANTIIINGIMUSED

Lisaks toote ostust tulenevatele seadusjärgsetele õigustele, kehtib tootele ka alltoodud garantiiga.

1. Tarbijatele on garantiiaeg 24 kuud ja algab sellel kuupäeval, mil toode osteti. Selle kuupäeva tõestuseks on vaja arvet või mõnda teist tõendit ostu sooritamise kohta. Toode on mõeldud eratarbijatele ainult isiklikuks kasutamiseks. Seega ei kehti garantii ostu kasutamisel kutsetegevuses või kaubanduslikel eesmärkidel.
2. Teatud osale elektrilistele (vahelduvvoolu/alalisvoolu) tööriistadele on võimalik pikendada tõestuseks toodud garantiiaega, kasutades teie registreerimist veebilehel www.ryobitools.eu. Teave tööriista võimaliku pikendatud garantiiaja kohta on selgelt esile toodud poodides ja/või pakendil / ning see sisaldub toote dokumentatsioonis. Lõpparbiaja peab registreerima oma uued tööriistad interneti teel 30 päeva jooksul pärast ostmiseaega. Lõppkasutaja võib registreerida pikendatud garantiiaja saamise oma elukohariigis, kui veebis olevas registreerimisvormis on see valik lubatud. Lisaks peavad kasutajad andma oma nõusoleku veebis nõutud sisestavate andmete säilitamiseks ning nad peavad nõustuma tingimustega. E-posti teel saadetav registreerimise kinnitus ja arve originalid, kus on näha ostu sooritamise kuupäev, on pikendatud garantiiaja tõestuseks.
3. Garantii katab kõik defektid toote garantiiaja jooksul, kui ostu kuupäeval ilmnevad talitlus- või materjalivead. Garantii piirub toote remondi ja/või väljavahetamisega ning ei sisalda muid kohustusi, muu hulgas ettenägematuid või kaudseid kahjusid. Garantii ei kehti, kui toodet ei ole kasutatud sihtotstarbelselt või kooskõlas kasutusjuhendiga või see on valesti ühendatud. Garantii ei kehti järgmistel põhjustel:
 - toode on kahjustatud vale hoolituse tõttu
 - toodet on muudetud
 - toote algsuunatud identifitseerimisnumbrid (kaubamärk, seerianumber) on rikutud, muudetud või eemaldatud
 - kahju on tekkinud kasutusjuhendi mittejärgimisest
 - tootel puudub CE-märgis
 - toodet on püüdnud remontida vastavat kvalifikatsiooni mitte omav isik või ilma firma Techtronic Industries eelneva loata.
 - toode on ühendatud valesse toiteallikasse (voolutugevus, pinge, sagedus)
 - välismõjude (keemilised, füüsilised, elektrilöögid) või võrkehade tekitatud kahju
 - tavapärase kulumine ja katkised varuosad
 - ebaõige kasutamine, tööriista ülekoormamine
 - heakskiitmata tarvikute või osade kasutamine
 - koos tööriistaga saadud või eraldi ostetud elektriliste tööriistade tarvikud. Need erandid puudutavad muu hulgas kruvikeeraja otsakuid, puuriterasid, lihvkettaid, lihvpaberit ja -tald, küljühikuid
 - Komponentid (osad ja tarvikud), mida iseloomustab kulumine ja vananemine, muu hulgas remondi- ja hoolduskomplektid, süsinikharjad, laagrid, padrunid, SDS-puuriterade tarvikud, toitejuhtid, lisakäepide, transpordikott, lihvplaat, tolmuokott, tolmu väljalasketoru, viildist seibid, löökmutrivõtme viildid ja vedrud jne.
4. Hoolduseks peab toote saatma või viima RYOBI volitatud teenindusse, mille aadressi leiata järgnevat teeninduspunkti nimekirjast vastava riigi alt. Mõnedes riikides võtab kohalik RYOBI edasimüüja enda kanda kohustuse saata toode RYOBI teenindusorganisatsiooni. Toote saatmisel RYOBI teenindusse peab toode olema ohutult pakitud ja ei tohi sisaldada ohtlikke aineid (nt bensini), kirjas peab olema saatja aadress ja lisatud vea lühikirjeldus.
5. Garantii alusel tehtavad remonditööd / asendamine on tasuta. See ei pikenda garantii kehtivusaega ega tähistu uue garantiiaja algust. Väljavahetatud osad või tööriistad kuuluvad meile. Mõnedes riikides maksab kätetoimetamis- ja postikulud saatja. Teile jäävad kehtima tööriista ostust tulenevad seadusjärgsed õigused
6. See garantii kehtib Euroopa Ühenduse territooriumil, Šveitsis, Islandil, Norras, Liechtensteinis, Türgis ja Venemaal. Väljaspool neid piirkondi võtke ühendust volitatud RYOBI edasimüüjaga, et teha kindlaks kas kehtib mõni teine garantii.

VOLITATUD HOOLDUSKESKUS

Oma volitatud hoolduskeskuse leiate veebisaidilt <http://en.ryobitools.eu/header/service-and-support/service-agents>.

HR UVJETI PRIMJENE JAMSTVA TVRTKE RYOBI®

Osim svim zakonskim pravima koja proizlaze iz kupnje, ovaj je proizvod pokriven jamstvom kako je navedeno u nastavku.

1. Jamstveno razdoblje za potrošače traje 24 mjeseca i počinje s datumom na koji je proizvod kupljen. Taj datum mora se dokumentirati računom ili drugim dokazom o kupnji. Proizvod je konstruiran i namijenjen samo za privatnu upotrebu korisnika. Stoga se jamstvo ne daje u slučaju profesionalne ili komercijalne uporabe.
2. Postoji mogućnost da se za dio asortimana električnih alata pokretanih izmjeničnom strujom (AC/DC) pruži gore navedeno jamstveno razdoblje jasno putem registriranja na mrežnom mjestu www.ryobitools.eu. Uvjeti koje je potrebno zadovoljiti kako bi se produžilo jamstveno razdoblje jasno su istaknuti u prodavaonicama i / ili na pakiranju / i nalaze se unutar dokumentacije proizvoda. Krajnji korisnik mora registrirati svoje novo kupljene alate na mreži u roku od 30 dana od datuma kupnje. Krajnji korisnik može se registrirati za produženo jamstvo u svojoj zemlji boravišta ako se nalazi na popisu u mrežnom obrascu za registraciju gdje je ta opcija važeća. Nadalje, krajnji korisnici moraju dati svoj pristanak na pohranu podataka koji su potrebni za mrežni ulazak i moraju prihvatiti odredbe i uvjete. Potvrda o prijemu registracije, koja se šalje putem e-pošte, kao i originalni račun s vidljivim datumom kupnje poslužit će kao dokaz produženog jamstva.
3. Jamstvo pokriva sve nedostatke proizvoda tijekom jamstvenog razdoblja koji su nastali zbog neispravnosti prilikom izrade ili materijala s datumom kupnje. Jamstvo je ograničeno na popravak i/ili zamjenu i ne obuhvaća nikakve druge obveze, uključujući, ali ne ograničavajući se na slučajne ili posljedične štete. Jamstvo ne vrijedi ako je proizvod bio zlorabljeno, korišten u suprotnosti s priručnikom s uputama ili ako je pogrešno spojen. Ovo jamstvo ne primjenjuje se na:
 - svaku štetu koja je na proizvodu nastala kao rezultat nepravilnog održavanja
 - svaki proizvod koji je promijenjen ili izmijenjen
 - svaki proizvod na kojem su izvorne identifikacijske oznake (žig, serijski broj) bile oštećene, izmijenjene ili uklonjene
 - svaku štetu prouzročenu neprimjerenom upotrebom priručnika s uputama
 - svaki proizvod koji nema oznaku CE
 - svaki proizvod koji je pokušao popraviti neovlašćen profesionalac ili onaj koji je popravljao bez prethodnog odobrenja tvrtke Techtronic Industries.
 - svaki proizvod koji je spojen na neprikladan izvor električnog napajanja (neodgovarajuća amperaza, napon, frekvencija)
 - svaku štetu prouzročenu unutarnjim utjecajima (kemijskim, fizikalnim, udarima) ili stranim tvarima
 - normalno habanje i trošenje rezervnih dijelova
 - neodgovarajuću uporabu, preopterećenje alata
 - upotrebu neodobrenog pribora ili dijelova
 - dodatnu opremu električnog alata isporučenu s alatom ili kupljenu odvojeno. Takvi izuzetci uključuju ali nisu ograničeni na vrhove odvijачa, svrdla bušilice, abrazivne diske, brusni papir i noževe, bočnu vodilicu
 - Komponente (dijelovi i pribor) podložne prirodnom trošenju i habanju, što uključuje, ali nije ograničeno na komplecte za servisiranje i održavanje, ugljične četkice, ležajeve, steznu glavu, nastavak ili priključak za svrdla za SDS bušilicu, priključni kabel, pomoćnu ručku, transportne torbe, brusnu ploču, vreću za prašinu, ispušnu cijev za prašinu, podloške od filca, udami ključ, zatici i opruge, itd.
4. Za potrebe servisiranja, proizvod se mora poslati ili odnijeti u ovlaštenu servisnu postaju tvrtke RYOBI navedenu na sljedećem popisu s adresama servisnih postaja u svakoj zemlji. U nekim zemljama, vaš lokalni RYOBI zastupnik obvezuje se da će poslati proizvod u servisnu organizaciju tvrtke RYOBI. Kada se proizvod šalje u neku servisnu postaju tvrtke RYOBI, proizvod se mora sigurno pakirati bez jednog od opasnih sadržaja kao što je benzin, na njemu mora pisati adresa pošiljatelja i mora biti popraćen kratkim opisom kvara.
5. Popravak / zamjena pod ovim jamstvom su besplatni. Oni ne predstavljaju produženje ili novi početak jamstvenog razdoblja. Zamijenjeni dijelovi ili alati postaju vaše vlasništvo. U nekim državama troškove isporuke ili poštarinu mora platiti pošiljatelj. Vaša zakonska prava koja proizlaze iz kupnje alata ostaju nepromijenjena
6. Ovo jamstvo vrijedi u Europskoj uniji, Švicarskoj, Islandu, Norveškoj, Lihtenštajnu, Turskoj i Rusiji. Izvan tih područja vas molimo da se obratite svojem ovlaštenom zastupniku tvrtke RYOBI kako biste utvrdili primjenjuje li se drugo jamstvo.

OVLAŠTENI SERVISNI CENTAR

Za pronalazjenje ovlaštenog servisnog centra pored vas posjetite <http://en.ryobitools.eu/header/service-and-support/service-agents>.

SL POGOJI ZA VELJAVNOST GARANCIJE RYOBI®

Poleg morebitnih zakonsko določenih pravic, ki izvirajo iz nakupa, za ta izdelek velja spodaj navedena garancija.

- Garancijsko obdobje je za potrošnike 24 mesecev in začne teči z dnem nakupa izdelka. Ta datum mora biti dokumentiran z računom ali drugim dokazilom o nakupu. Izdelek je zasnovan in namenjen izključno za potrošniško zasebno uporabo. V primeru strokovne oziroma komercialne uporabe izdelka garancija ne velja.
- Obstaja možnost podaljšanja garancije na del naše ponudbe električnih orodij (AC/DC) prek obdobja garancije, opisanege zgoraj, s pomočjo registracije na spletnem mestu www.ryobitools.eu website. Ustreznost orodij za podaljšanje garancijskega obdobja je jasno prikazana v trgovinah in/ali na embalaži oziroma je navedena v dokumentaciji izdelka. Končni uporabnik mora registrirati svoje novo orodje na spletu v 30 dneh po datumu nakupa. Končni uporabnik lahko registrira podaljšano garancijo v svoji državi bivanja, če je na obrazcu spletne registracije navedeno, da ta možnost velja za njegovo državo. Poleg tega morajo končni uporabniki podati svoje soglasje za shranjevanje podatkov, ki so potrebni za spletni dostop in morajo sprejeti pogoje in določila uporabe spletnega mesta. Potrdilo o registraciji, ki ga pošljemo prek e-pošte, in originalni račun, ki prikazuje datum nakupa, služita kot dokazilo o podaljšani garanciji.
- Garancija krije vse okvare izdelka, do katerih pride v garancijskem obdobju zaradi napak v izdelavi ali materialu, ki so bile prisotne ob datumu nakupa. Garancija je omejena na popravilo in/ali zamenjavo in ne vključuje nobenih drugih obveznosti, med drugim vključno z naključno ali posledično škodo. Garancija ne velja, če je bil izdelek napačno uporabljen, uporabljen v nasprotju z navodili iz priročnika za uporabo ali če ni bil pravilno povezan. Ta garancija ne velja za:
 - škodo na izdelku, ki je posledica neustreznega vzdrževanja
 - spremenjen ali prilagojen izdelek
 - izdelek, katerega originalna identifikacijska oznaka (blagovna znamka, serijska številka) je bil poškodovana, spremenjena ali odstranjena
 - škodo, ki je posledica neupoštevanja navodil iz priročnika za uporabo izdelka, ki nima oznake CE
 - izdelek, ki ga je poskušal opraviti ne kvalificiran strokovnjak ali ki je bil popraviljen brez predhodne odobritve s strani družbe Techtronic Industries.
 - izdelek, ki je bil povezan na neustrezno napajanje (amperska moč, napetost, frekvenca)
 - škodo, ki jo povzročijo zunanji vplivi (kemični, fizični, mehanski) ali tuje snovi
 - rezervne dele, ki so podvrženi običajni uporabi
 - neprimerno uporabo, preobremenitev orodja
 - uporabo neodobrenih dodatkov ali delov
 - Dodatno električno orodje, priloženo orodju ali kupljeno ločeno. Take izjeme so med drugim nastavki za izvijače, svedri, abrazivni diski, brusni papir in rezila, stranska vodila.
 - Komponente (sestavni in rezervni deli), ki so podvrženi običajni obrabi, med drugim vključno s kompleti za servisiranje in vzdrževanje, oglikovimi krtačkami, ležaji, vpenjali, svedrni priključki SDS ali sprejemnimi odprtini zanje, napajalnimi kablji, pomožnimi ročajji, prenosnimi kovčki, brusnimi ploščami, vrečkami za prah, cevmi za izpuh prahu, tesnilni iz filca, iglami in vzmetni udamega ključa itd.
- Za servisiranje morate izdelek poslati ali prinesiti v pooblaščen servisni center družbe RYOBI, ki je naveden za vsako državo na naslednjem seznamu naslovov servisnih centrov. V nekaterih državah se vaš lokalni posrednik družbe RYOBI obveže, da bo poslal izdelek na servis družbe RYOBI. Ko pošiljate izdelek v servisni center družbe RYOBI, mora biti izdelek varno zapakiran in ne sme vsebovati nobenih nevarnih snovi, kot je npr. bencin, opremljen pa mora biti z naslovom pošiljatelja in vsebovati kratek opis napake.
- Popravilo/zamenjava v skladu s to garancijo sta brezplačni storitvi. To pa ne predstavlja podaljšanja ali ponovnega začetka garancijskega obdobja. Zamenjani deli ali orodja postanejo naša last. V nekaterih državah stroške dostave ali poštno plača pošiljatelj. Vaše zakonsko določene pravice, ki izvirajo iz nakupa orodja, ostajajo nespremenjene.
- Ta garancija velja v Evropski skupnosti, Švici, Islandiji, na Norveškem, v Lichtenštajnu, v Turčiji in Rusiji. Izven teh območij se obrnite na svojega pooblaščenega posrednika izdelkov RYOBI, dealer ki vam bo povedal, ali velja kakšna druga garancija.

POOBLAŠČEN SERVISNI CENTER

Pooblaščen servisni center blizu vas poiščite na <http://en.ryobitools.eu/header/service-and-support/service-agents>.

SK ZÁRUČNÉ PODMIENKY RYOBI®

Na tento výrobok sa okrem všetkých zákonných práv, vyplývajúcich z nákupu, vzťahuje záruka v nasledovnom znení.

- Záručná doba pre spotrebiteľa je 24 mesiacov a začína plynúť odo dňa, kedy bol výrobok zakúpený. Tento dátum musí byť doložený faktúrou alebo iným dokladom o zakúpení. Výrobok je navrhnutý a určený pre spotrebiteľov a ten na súkromné používanie. Preto sa záruka sa neposkytuje v prípade použitia na profesionálne a komerčné účely.
- V prípade elektrického náradia (na striedavý/jednosmerný prúd AC/DC), existuje možnosť predĺženia záručnej doby oproti záručnej dobe, uvedenej vyššie, s využitím on-line registrácie na webovej stránke www.ryobitools.eu. Označenie na náradí o nároku na predĺženie záručnej doby je zreteľne uvedené v obchodoch a/alebo na obale a je uvedené v dokumentácii k výrobku. Koncový používateľ musí zaregistrovať svoje novozískané náradie on-line do 30 dní odo dňa nákupu. Koncový používateľ sa môže zaregistrovať na predĺženie záruky v krajine svojho bydliska, ak je v on-line registračnom formulári uvedená táto možnosť. Ďalej musia koncoví používatelia ešte dať svoj súhlas k uchovávaniu údajov, ktoré je potrebné zadať on-line a musia súhlasiť s podmienkami. Potvrdenie o prijatí registrácie, ktoré je zasielané e-mailom a originálny faktúra, v ktorej je uvedený dátum nákupu, slúžia ako dôkaz o predĺženej záruke.
- Záruka sa vzťahuje na všetky poruchy výrobku v záručnej dobe, spôsobené chybami materiálů alebo spracovania k dátumu nákupu. Táto záruka je obmedzená na opravu a/alebo výmenu a nezahŕňa ide ďalšie povinnosti, vrátane, okrem iných, náhodné alebo následné škody. Táto záruka je neplatná, ak bol výrobok nesprávne používaný, bol používaný v rozpore s návodom na použitie alebo bol nesprávne zapojený. Táto záruka sa nevzťahuje na:
 - akékoľvek poškodenie výrobku, ktoré bolo spôsobené nesprávnou obsluhou
 - akýkoľvek výrobok, ktorý bol zmenený alebo upravený
 - akýkoľvek výrobok, na ktorom bolo poškodené, upravené alebo odstránené identifikačné označenie (ochranná známka, výrobné číslo)
 - akékoľvek škody, spôsobené nedodržením návodu na obsluhu
 - akýkoľvek výrobok, ktorý neobsahuje označenie CE
 - akýkoľvek výrobok, ktorý sa pokúšal opraviť nekvalifikovaný odborník alebo bol opravovaný bez predchádzajúceho súhlasu so strany spoločnosti Techtronic Industries.
 - akýkoľvek výrobok, pripojený k nesprávnemu napájaciemu zdroju (ampéry, napätie, frekvencia)
 - akékoľvek poškodenia, spôsobené vonkajšími vplyvmi (chemickými, fyzikálnymi, nárazmi) alebo cudzorodnými látkami
 - bežné opotrebovanie náhradných dielov
 - nevhodné používanie, preťažovanie nástroja
 - používanie neschváleného príslušenstva a dielov
 - príslušenstvo k elektrickému náradiu, dodávané spolu s náradím alebo zakúpené oddelene. Takéto vylúčenia sa vzťahujú, okrem iného, na nástady skrutkovačov, vrtáky, brusne kotúče, brusný papier a čepele, bočné vodiace lišty
 - Súčiastky (diely a príslušenstvo), ktoré podliehajú prirodzenému opotrebovaniu, okrem iného súpravy na servis a údržbu, uhličky, ložiská, skľučovadlá, SDS vrtáky a príslušenstvo, príloh alebo prijímanie, napájací kábel, pomocná rukoväť, prepravná skriňa, brusná doska, pracovné vrečko, výfuková trubica, pistené podložky, kotlíky a pružiny na rázový uťahovač atď.
- Na opravu musí byť výrobok odoslaný alebo doručený do autorizovaného servisného strediska RYOBI, uvedeného pre každú krajinu v nasledovnom zozname adries servisných stredísk. V niektorých krajinách miestny zástupca RYOBI preberá na seba záväzok zaslať tovar do servisnej organizácie RYOBI. Pri odoslaní výrobku do servisného strediska RYOBI je potrebné výrobok bezpečne zabaliť bez akéhokoľvek nebezpečného obsahu, ako je bencín, s vyznačením adresy odosielateľa, s krátkym popisom poruchy.
- Oprava/výmena je vrámci tejto záruky bezplatná. Neznamená to predĺženie záruky alebo spustenie novej záručnej doby. Vymenené diely alebo nástroje sa stávajú našim vlastníctvom. V niektorých krajinách náklady na odoslanie alebo poštovné musí zaplatiť odosielateľ. Vaše zákonné práva, vyplývajúce z nákupu náradia, zostávajú nedotknuté.
- Táto záruka platí v Európskej únii, Švajčiarsku, Islande, Nórsku, Lichtenštajnsku, Turesku a Rusku. Ak sa nachádzate mimo týchto oblastí, obráťte sa na autorizovaného predajcu RYOBI na určenie, či sa dá uplatniť iná záruka.

AUTORIZOVANÉ SERVISNÉ CENTRUM

Ak chcete nájsť najbližšie autorizované servisné centrum, navštívte stránku <http://en.ryobitools.eu/header/service-and-support/service-agents>.

BG УСЛОВИЯ ЗА ВАЛИДНОСТ НА ГАРАНЦИЯТА НА RYOBI®

В допълнение към законоустановените права, произтичащи от покупката, този продукт е обхванат от гаранцията, както е изложено по-долу.

- Гаранционният срок е 24 месеца за клиенти и започва да тече от деня на закупуване на продукта. Тази дата трябва да се докаже с фактура или друго доказателство за покупка. Продуктът е изработен и предназначен само за потребителска и лична употреба. Следователно не се дава гаранция в случай на използване от професионалисти или с търговска цел.
- Съществува възможност за удължаване на гаранционния срок за част от диалогана на гаранцията на електрически инструменти (AC/DC) след изтичането на описания тук чрез регистрация на уеб сайта www.ryobitools.eu. В магазините и/или на опаковката или вътре в документацията на продукта е показано ясно дали инструментът отговаря на условията за такова удължаване на гаранционния срок. Крайният потребител трябва да регистрира своите новопридобити инструменти онлайн в рамките на 30 дни от датата на покупка. Крайният потребител може да се регистрира за удължена гаранция в държавата си на пребиваване, ако е посочена във формуляра за онлайн регистрация като място, където тази опция е валидна. Освен това крайните потребители трябва да дадат съгласието си за съхранение на данните, които са задължителни за ползване онлайн, и трябва да приемат общите условия. Полученото потвърждение за регистрация, изпратено по електронна поща, и оригиналната фактура, показваща датата на покупка, ще служат като доказателство за удължената гаранция.
- Гаранцията покрива всички дефекти на продукта по време на гаранционния срок, които се дължат на проблеми в изработката или материалите към момента на покупката. Гаранцията е ограничена до ремонт и/или замяна и не включва други задължения, включително, но не само, случайни или косвени щети. Гаранцията е невалидна, ако продуктът е използван неправилно или в противоречие с ръководството с инструкции, както и ако е свързан неправилно. Тази гаранция не важи за:
 - щети по продукта в резултат на неправилна профилактика
 - продукти, които са били изменени или модифицирани
 - продукт, при който оригиналните маркировки за идентификация (търговска марка, серийен номер) са изтрети, променени или премахнати
 - повреда, причинена от неспазване на ръководството с инструкции
 - продукт без CE маркировка
 - продукт, за който е направен опит за ремонт от неквалифициран специалист или без предварително разрешение от Techtronic Industries.
 - продукт, свързан към неподходящо електрохранване (ампераж, волтаж, честота)
 - щети, причинени от външни влияния (химични, физични, удари) или чужди вещества
 - нормално износване на резервни част
 - неподходяща употреба, претоварване на инструмента
 - използване на неободбени аксесоари или части
 - Аксесоарите за електрически инструмент са предоставени с инструмента или се купуват отделно. Тези изключения включват, но не само, накрайници за отвертка, свердела, абразивни дискове, шкурка и остриета, страничен водач
 - Компоненти (части и аксесоари), подложени на естествено износване, включително, но не само, комплекти за обслужване и поддръжка, карбонови четки, лагери, патронник, приставка със средло SDS или приемно устройство, захранващ кабел, спомогателна ръкохватка, кутия за транспортиране, шлифовъчна пластина, торба за прах, тръба за отвеждане на прах, филцови шабви, цифрове и пружини за винтовете и др.
- За обслужване продуктът трябва да се изпрати или занесе на авторизиран сервиз на RYOBI, посочен за всяка държава в следния списък с адреси на сервиси. В някои държави местният търговец на RYOBI поема отговорността да изпрати продукта до сервизен център на RYOBI. При изпращане на продукт до сервиз на RYOBI той трябва да е опакован безопасно без опасо съдържание, напр. бензин, да е маркиран с адреса на подателя и придружен от кратко описание на повредата.
- Ремонтът/замяната по силата на тази гаранция са безплатни. Те не водят до удължаване или подновяване на гаранционния срок. Сменените части или инструменти стават наша собственост. В някои държави таксите за доставка или изпращане трябва да се платят от подателя. Законоустановените ни права, произтичащи от закупуването на инструмента, остават незасегнати.
- Тази гаранция е валидна в Европейската общност, Швейцария, Исландия, Норвегия, Лихтенщайн, Турция и Русия. Извън тези области се свържете с упълномощения търговец на RYOBI, за да се установи дали е приложима друга гаранция.

УПЪЛНОМОЩЕН СЕРВИЗЕН ЦЕНТЪР

За да намерите упълномощен сервизен център близо до вас, посетете <http://en.ryobitools.eu/header/service-and-support/service-agents>.

UK ГАРАНТИЙНИ УМОВИ ДЛЯ RYOBI®

Окрім загалом установених законом прав, що стосуються покупки, цей пристрій покривається гарантією, що зазначено нижче.

- Гарантійний період для споживачів складає 24 місяці і починається з моменту придбання цього пристрою. Ця дата повинна бути задокументована у гарантійному талоні або чеку. Цей пристрій був розроблений і призначений тільки для споживчого та приватного використання. У разі професійного або комерційного використання цього пристрою, він втрачає гарантію.
- Існує можливість подовжити гарантійний період для частини лінійки електронструментів (перемінного/постійного струму), понад період описаний вище за допомогою реєстрації на сайті www.ryobitools.eu. Пристрої, які мають право на подовження гарантійного періоду, мають чіткі позначки щодо цього в магазинах і / або на упакуванні / та документації до пристрою. Кінцевий користувач повинен зареєструвати його/ї новопридбаний пристрій онлайн протягом 30 днів з дати покупки. Кінцевий користувач може зареєструватися для подовження гарантійного періоду в своїй країні постійного перебування, якщо вона є доступною у відповідній опції онлайн форми реєстрації. Крім того, кінцеві користувачі повинні дати свою згоду на зберігання даних, які необхідні для ведення онлайн, а також вони повинні прийняти правила та умови. Отримання підтвердження реєстрації, яке відправляється на адресу електронної пошти, та оригінал гарантійного талона і/або зазначеною датою покупки буде служити доказом подовженої гарантії.
- Гарантія поширюється на всі дефекти пристрою протягом гарантійного терміну щодо недотримання стандартів виробництва або матеріалів на дату придбання. Гарантія обмежується ремонтом та/або заміною, та не включає в себе будь-яких інших зобов'язань, в тому числі, але необмежена у разі випадкових та подальших пошкоджень. Гарантія не діє, якщо пристрій використовувався неналежним чином, всупереч інструкції з експлуатації або був неправильно підключений до мережі. Дана гарантія не поширюється на:
 - пристрої, що були пошкоджені у результаті неправильного технічного обслуговування;
 - пристрої, що були видозміннені або модифіковані;
 - пристрої, оригінальні ідентифікаційні (товарний знак, серійний номер) маркування яких було пошкоджене, змінене або видалено;
 - будь-які пошкодження, заподіяні недотриманням інструкції з експлуатації;
 - пристрої, що не мають маркування CE;
 - пристрої, що були відремонтовані некваліфікованим фахівцем або за відсутності попереднього дозволу від Techtronic Industries;
 - пристрої, підключені до невідповідного джерела живлення (сила току, напруги, частота);
 - будь-які пошкодження спричинені зовнішнім впливом (хімічним, фізичним, стрибком напруги) або сторонніми речовинами;
 - нормальну амортизацію запасних частин;
 - невідповідне використання, перевантаження пристрою;
 - використання не підтверджених запасних частин або аксесуарів;
 - приладдя до електронструменту, що постачається разом з пристроєм або купуються окремо. Такі винятки враховують але не є обмеженнями для наконечників викруток, свердел, абразивних дисків, наждачного паперу та лез, бічних напрямних – компоненти(частини та приладдя) з урахуванням нормального зношування, враховуючи, але без обмеження на комплекти профілактики та технічного обслуговування, вугільні шітки, підшипники, патрони, кріплення або прийом SDS свердел, кабелі живлення, додаткові рукоятки, чохла для транспортування, шліфувальні пластини, мішки для збору пилу, трубки виплопу, фітрові кільця, штирі і пружини гайковерту і т.д.
- Для обслуговування пристрій має бути відправлений або поданий до одного з авторизованих сервісних центрів RYOBI, які перелічені для кожної країни у наступному переліку адрес сервісних центрів. У деяких країнах місцевий дилер RYOBI зобов'язується відправити пристрій до сервісного центру RYOBI. При відправленні пристрою до сервісного центру RYOBI, пристрій має бути надійно упакуваний без будь-якого небезпечного вмісту, наприклад бензину, з позначеною адресою відправника та супроводжуватися коротким описом несправності.
- Ремонт / заміна відповідно до цієї гарантії здійснюється безкоштовно. Це не є основою для подовження або початку нового гарантійного періоду. Замінені частини або прилади переходять до власності компанії. У деяких країнах вартість доставки або поштові витрати повинні бути сплачені відправником. Загально встановлені права покупця на пристрій залишаються незмінними.
- Ця гарантія діє в Європейському Союзі, Швейцарії, Ісландії, Норвегії, Лихтенштейні, Туреччині та Росії. За межами цих зон, будь ласка, зверніться до офіційного дилера RYOBI, щоб визначити, чи застосовується інша гарантія.

АВТОРИЗОВАНІ СЕРВІСНІ ЦЕНТРИ

Для отримання оновленого переліка авторизованих сервісних центрів, відвідайте <http://en.ryobitools.eu/header/service-and-support/service-agents>.

TR RYOBI® GARANTİ UYGULAMA KOŞULLARI

Alımdan kaynaklanan yasal haklara ek olarak, ürün aşağıda belirtilen garanti kapsamındadır.

1. Tüketiciler için 24 ay olan garanti süresi, ürünün satın alındığı tarihte başlar. Bu tarihin bir fatura ya da alım kanıtıyla belgelenmesi gerekir. Ürün sadece tüketim ve özel kullanım için geliştirilmiş ve adanmıştır. Bu nedenle, profesyonel ya da ticari kullanımı halinde garanti kapsamı sağlanmaz.
2. Elektrikli el aletlerinin bir bölümü (AC/DC) için www.ryobitools.eu sayfasındaki kayıt işlemini kullanarak garantinin belirtilen süresini ötesine sayfa imkanı mevcuttur. Aletlerin garanti süresinin uzatılmasına uygun olup olmadığı mağazalarda ve / veya ambalajda açıkça belirtilmiş olup, ürün dokümantasyonunda gösterilir. Son kullanıcının yeni aldığı aletleri satın alma tarihini izleyen 30 gün içinde kaydetmesi gerekir. Son kullanıcı ikamet ettiği ülkede, bu seçeneğin geçerli olduğu çevrimiçi kayıt formunda belirtilmişse, uzatılmış garanti süresi için kayıt yapılabilir. Dahası, son kullanıcıların çevrimiçi giriş için gerekli verilerin kaydedilmesine izin vermek ve hüküm ve koşulları kabul etmelidir. E-posta ile gönderilen kayıt teyit makbuzu ve alım tarihini gösteren orijinal fatura uzatılmış garantinin kanıtı olarak değerlendirilir.
3. Garanti, ürünün alım tarihindeki işçilik ve malzeme kusurları nedeniyle garanti süresi içinde oluşacak bütün arızaları kapsar. Bu garanti onarım ve değiştirilmeyle sınırlı olup, tasadufi ya da dolaylı hasarlar da dahil, ancak bunlarla kısıtlı olmayan başka hiçbir tahahhüdü kapsamaz. Garanti, ürünün kötü, kullanıcı kılavuzuna aykırı kullanımına ya da yanlış bağlanmış olması halinde geçerli değildir. Bu garanti aşağıdakileri kapsamaz:
 - üründe, yanlış bakımдан kaynaklanan herhangi bir hasar
 - değiştirilmiş ya da modifiye edilmiş herhangi bir ürün
 - orijinal tanıtmış işaretleri (ticari marka, seri numarası) silinmiş, değiştirilmiş ya da kaldırılmış herhangi bir ürün
 - kullanma kılavuzuna uymamaktan kaynaklanmış herhangi bir hasar
 - herhangi bir AT dışı ürün
 - kalifiye olmamış personel tarafından ya da önceden Techtronic Industries onayı alınmadan onarılmış herhangi bir ürün.
 - uygunsuz güç kaynağına (amper, voltaj, frekans) bağlanmış herhangi bir ürün
 - harici etkenlerden (kimyasal, fiziksel, darbe) veya yabancı cisimlerden kaynaklanan her türlü hasar
 - normal aşınır ve yıpranır aksam
 - uygunsuz kullanım, aletin aşırı yüklenmesi
 - onaysız aksesuar veya parça kullanımı
4. Aletle birlikte sağlanmış ya da ayrıca alınmış elektrikli alet aksesuarları. Tornavida uçları, matkap uçları, aşındırıcı diskler, zımpara kağıdı ve bıçakları, yanal kılavuz gibi aksamı içeren, ancak bunlarla sınırlı olmayan eklentiler
5. Servis ve Bakım kitiyle, kömür fırçalar, yataklar, kovanlar, SDS matkap ucu bağlantısı ya da yuvaları, güç kablosu, yedek tutamak, nakliye ve taşıma kutusu, kuşlama plakası, toz torbası, toz egzoz borusu, keçe rondelalar, Darbeli Tornavida Pim ve yayları vb. gibi parçaları kapsayan, ancak bunlarla sınırlı olmayan, aşınma ve yıpranmaya tabi bileşenler (aksam ve aksesuarlar).
4. Ürünün servis için her ülkede aşağıdaki servis istasyonları adres listesinde yer alan yetkili bir RYOBI servis istasyonuna gönderilmesi ya götürülmesi gereklidir. Bazı ülkelerde, yerel RYOBI distribütörünüz ürünü RYOBI servis tesisine göndermeyi üstlenir. Bir ürün bir RYOBI servis istasyonuna gönderilirken, ürünün güvenli bir biçimde ambalajlanması, benzin gibi tehlikeli maddeler içermemesi, gönderinen adresini taşıması ve arızanın kısa bir açıklamasını içermesi gerekir.
5. Bu garanti kapsamında yapılacak onarım / değişiklik ücretsizdir. Garanti süresinin uzatılması ya da yeniden başlatılması anlamına gelmez. Değiştirilmiş parçalar veya aletler bize ait olur. Bazı ülkelerde teslimat ücretleri veya posta giderlerini gönderici tarafından ödenmesi gerekir. Alımdan kaynaklanan yasal haklarının etkilenmez
6. Bu Garanti Avrupa Topluçluğu, İsviçre, İzlanda, Norveç, Liechtenstein, Türkiye ve Rusya'da geçerlidir. Bu alanların dışında, başka bir garantinin geçerli olup olmadığını belirlemek için lütfen yetkili RYOBI distribütörünüzle irtibata geçin.

YETKİLİ SERVİS MERKEZİ

En yakın yetkili servis merkezini öğrenmek için <http://en.ryobitools.eu/header/service-and-support/service-agents> sitesine girin.

EL ΟΡΟΙ ΕΦΑΡΜΟΓΗΣ ΤΩΝ ΠΡΟΫΠΟΘΕΣΕΩΝ ΕΓΓΥΗΣΗΣ ΤΗΣ RYOBI®

Εκτός από τα νόμιμα δικαιώματα, τα οποία προκύπτουν από την αγορά, το προϊόν καλύπτεται από εγγύηση, λεπτομέρειες της οποίας ακολουθούν στη συνέχεια.

1. Η διάρκεια της εγγύησης για τους καταναλωτές είναι 24 μήνες και αρχίζει από την ημερομηνία αγοράς. Η ημερομηνία θα πρέπει να αναγράφεται στην απόδειξη ή σε άλλο αποδεικτικό αγοράς. Το προϊόν έχει σχεδιαστεί και προορίζεται αποκλειστικά για οικιακή χρήση από καταναλωτές. Συνεπώς, δεν παρέχεται εγγύηση σε περίπτωση επαγγελματικής ή εμπορικής χρήσης.
2. Υπάρχει η δυνατότητα επέκτασης της εγγύησης για ορισμένα ηλεκτρικά εργαλεία (AC/DC), πέραν του παραπάνω αναφερόμενου χρονικού διαστήματος, μέσω εγγραφής στο δικτυακό τόπο www.ryobitools.eu. Η επλεξιμότητα των εργαλείων με δυνατότητα επέκτασης της περιόδου εγγύησης αναγράφεται ρητά στα καταστήματα και/ή επάνω στη συσκευασία, ενώ περιέχεται στην τεκμηρίωση του προϊόντος. Το τελικός χρήστης θα πρέπει να καταχωρήσει το προσωπικό αποκτηθέντα εργαλείο online, εντός 30 ημερών από την ημερομηνία αγοράς. Ο τελικός χρήστης μπορεί να εγγραφεί για την επέκταση εγγύησης επί χώρα κατοικίας, εφόσον αυτή περιλαμβάνεται στο online έντυπο εγγραφής, εάν υπάρχει η δυνατότητα επέκτασης. Επιπλέον, οι τελικοί χρήστες θα πρέπει να παρέχουν τη συγκατάθεσή τους για την αποθήκευση των στοιχείων τους, τα οποία οφείλουν να καταχωρούνται online, όπως και να αποθηκεύονται του όρους και τις προϋποθέσεις. Η απόδειξη επιβεβαίωσης της εγγραφής, η οποία αποστέλλεται μέσω email, και η πρωτότυπη απόδειξη αγοράς, η οποία αναφέρεται στην ημερομηνία αγοράς, αποτελούν αποδεικτικά της παρατεταμένης εγγύησης.
3. Η εγγύηση καλύπτει όλα τα ελαττώματα του προϊόντος, κατά τη διάρκεια της περιόδου εγγύησης, λόγω κατασκευαστικών ελαττωμάτων ή αστοχίας υλικού κατά την ημερομηνία αγοράς. Η εγγύηση περιορίζεται στην επίστρωση και/ή την αντικατάσταση και δεν περιλαμβάνει καμία άλλη υποχρέωση, συμπεριλαμβανομένων, ενδεικτικά, συμπληρωματικών ή παρεπόμενων ζημιών. Η εγγύηση δεν ισχύει εφόσον, έχει σημειωθεί κακομεταχείριση του προϊόντος, δεν έχουν τηρηθεί οι οδηγίες του εγχειριδίου οδηγιών ή το προϊόν έχει συνδεθεί λανθασμένα. Η εγγύηση δεν ισχύει για:
 - οποιαδήποτε ζημία στο προϊόν, η οποία είναι αποτέλεσμα κακής συντήρησης
 - οποιοδήποτε προϊόν, το οποίο έχει αλλοιωθεί ή τροποποιηθεί
 - οποιοδήποτε προϊόν, στο οποίο έχει αλλοιωθεί, τροποποιηθεί ή αφαιρεθεί το γνήσιο αναγνωριστικό (σήμα κατατεθέν, σειριακός αριθμός)
 - οποιαδήποτε ζημία προκλήθει λόγω μη τήρησης του εγχειριδίου οδηγιών
 - οποιοδήποτε προϊόν χωρίς σήμανση CE
 - οποιοδήποτε προϊόν, στο οποίο έχει γίνει προσπάθεια επισκευής από μη καταρτισμένο επαγγελματία ή χωρίς την προηγούμενη έγκριση της Techtronic Industries.
 - οποιοδήποτε προϊόν, το οποίο έχει συνδεθεί σε ακατάλληλη παροχή ρεύματος (αμπερ, ισχύ, συχνότητα)
 - οποιαδήποτε ζημία έχει προκληθεί από εξωτερικές επιδράσεις (χημικές, φυσικές, κλιματιομετρικές) ή ξένες ουσίες
 - φυσιολογική φθορά και ρήξη ανταλλακτικών
 - ακατάλληλη χρήση, υπερφόρτωση του εργαλείου
 - χρήση μη ενδεδειγμένων εξαρτημάτων ή ανταλλακτικών
 - Εξαρτήματα ηλεκτρικών εργαλείων που παρασχεθήκαν με το εργαλείο ή αγοράστηκαν ξεχωριστά. Τέτοιες εξαρτηματικές περιλαμβανόμενες, ενδεικτικά, μύτες καταβίβησης, τρυπάνια, δίσκοις λείανσης, γυαλόχαρτο και λειπίδες, πλευρικό οδηγό
 - Εξαρτήματα (ανταλλακτικά και αξεσουάρ) που υποκείμενα σε φυσική φθορά και θραύση, συμπεριλαμβανομένων, ενδεικτικά, σετ επισκευής & συντήρησης, ψηκτρών άνθρωρα, εφεδράνων, τσoκ, εξαρτημάτων ή υποδοχών τρυπάνιων SDS, καλωδίων ισχύος, βοηθητικής λαβής, βαλίτσας μεταφοράς, βάσης τριβείου, σακούλας συλλογής σκόνης, σωλήνα εξαναγκαστικής σκόνης, ροδελών τόδους, μωτών και ελατηρίων κροστικού κλειδιού κοχλίων, κτλ.
4. Το προϊόν θα πρέπει να αποσταλεί ή να παραδοθεί για επισκευή ή συντήρηση σε εξουσιοδοτημένο σημείο σέρβις της RYOBI που περιλαμβάνεται στον ακόλουθο κατάλογο διευθύνσεων για κάθε χώρα. Σε ορισμένες χώρες, το τοπικό σημείο πώλησης της RYOBI αναλαμβάνει την αποστολή του προϊόντος στο κεντρικό σέρβις της RYOBI. Κατά την αποστολή ενός προϊόντος σε σημείο σέρβις της RYOBI, αυτό θα πρέπει να είναι ασφαλώς συσκευασμένο, χωρίς επικίνδυνου περιεχόμενο, όπως, πετρέλαιο, να φέρει τη διευθύνση του αποστολέα και να συνοδεύεται από σύντομη περιγραφή της βλάβης.
5. Η επιδιόρθωση / αντικατάσταση υπό την παρούσα εγγύηση παρέχεται δωρεάν. Δε συνιστά παράταση της περιόδου εγγύησης ή εκκίνηση νέας περιόδου εγγύησης. Τα μέρη που αντικαθίστανται περιέχονται στην κυριότητα μας. Σε ορισμένες χώρες, τα ενδεχόμενα έξοδα παραδοσης ή μεταφοράς βερνούν τον αποστολέα. Τα νόμιμα δικαιώματά σας, τα οποία απορρέουν από την αγορά του εργαλείου, δεν θίγονται.
6. Η παρούσα εγγύηση ισχύει στην Ευρωπαϊκή Κοινότητα, την Ελβετία, την Ισπανία, τη Νορβηγία, το Λιχτενστάιν, την Τουρκία και την Ρωσία. Εκτός των παραπάνω περιοχών, σας παρακαλούμε να επικοινωνήσετε με εξουσιοδοτημένο κατάστημα πώλησης της RYOBI, προκειμένου να διαπιστωθεί εάν ισχύει κάποια άλλη εγγύηση.

ΕΞΟΥΣΙΟΔΟΤΗΜΕΝΟ ΚΕΝΤΡΟ ΣΕΡΒΙΣ

Για να εντοπίσετε ένα εξουσιοδοτημένο κέντρο σέρβις στην περιοχή σας, επισκεφτείτε τη σελίδα <http://en.ryobitools.eu/header/service-and-support/service-agents>.

EN DECLARATION OF CONFORMITY

Techtronic Industries GmbH
Max-Eyth-Straße 10, 71364 Winnenden, Germany

Herewith we declare that the product

Multi-tool
Brand: RYOBI
Model number: RMT300
Serial number range: 44445901000001- 44445901999999

is in conformity with the following European Directives and harmonised standards
2006/42/EC, 2014/30/EU, 2011/65/EU
EN 55014-1:2017, EN55014-2:2015, EN 61000-3-2:2014, EN 61000-3-3:2013,
EN 62841-1:2015, EN 62841-2-4:2014

RoHS documentation is compiled according to EN 50581:2012


Andrew John Eyre (BEng, CEng, MIET)
Vice President, Regulatory & Safety
Winnenden, Mar. 15, 2018

Authorised to compile the technical file:
Alexander Krug, Managing Director
Techtronic Industries GmbH
Max-Eyth-Straße 10, 71364 Winnenden, Germany

CE

FR DÉCLARATION DE CONFORMITÉ

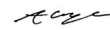
Techtronic Industries GmbH
Max-Eyth-Straße 10, 71364 Winnenden, Germany

Déclarons par la présente que le produit

Outil-multiple
Marque: RYOBI
Numéro de modèle: RMT300
Étendue des numéros de série: 44445901000001- 44445901999999

est conforme aux Directives Européennes et Normes Harmonisées suivantes
2006/42/EC, 2014/30/EU, 2011/65/EU
EN 55014-1:2017, EN55014-2:2015, EN 61000-3-2:2014, EN 61000-3-3:2013,
EN 62841-1:2015, EN 62841-2-4:2014

La documentation RoHS a été dressée d'après EN 50581:2012


Andrew John Eyre (BEng, CEng, MIET)
Vice-Président, Réglementation & Sécurité
Winnenden, Mar. 15, 2018

Autorisé à rédiger le dossier technique:
Alexander Krug, Directeur Général
Techtronic Industries GmbH
Max-Eyth-Straße 10, 71364 Winnenden, Germany

CE

DE KONFORMITÄTSERKLÄRUNG

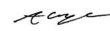
Techtronic Industries GmbH
Max-Eyth-Straße 10, 71364 Winnenden, Germany

Hiermit erklären wir, dass die Produkte

Multi-Tool
Marke: RYOBI
Modellnummer: RMT300
Seriennummernbereich: 44445901000001- 44445901999999

den folgenden europäischen Richtlinien und harmonisierten Normen entspricht
2006/42/EC, 2014/30/EU, 2011/65/EU
EN 55014-1:2017, EN55014-2:2015, EN 61000-3-2:2014, EN 61000-3-3:2013,
EN 62841-1:2015, EN 62841-2-4:2014

RoHS Dokumentation ist gemäß EN 50581:2012 zusammengestellt


Andrew John Eyre (BEng, CEng, MIET)
Vizepräsident, Vorschriften und Sicherheit
Winnenden, Mar. 15, 2018

Autorisiert die technische Datei zu erstellen:
Alexander Krug, Geschäftsführer
Techtronic Industries GmbH
Max-Eyth-Straße 10, 71364 Winnenden, Germany

CE

ES DECLARACIÓN DE CONFORMIDAD

Techtronic Industries GmbH
Max-Eyth-Straße 10, 71364 Winnenden, Germany

Por la presente declaramos que los productos

Multiherramienta
Marca: RYOBI
Número de modelo: RMT300
Intervalo del número de serie: 44445901000001- 44445901999999

se encuentra en conformidad con las siguientes Directivas Europeas y normas armonizadas
2006/42/EC, 2014/30/EU, 2011/65/EU
EN 55014-1:2017, EN55014-2:2015, EN 61000-3-2:2014, EN 61000-3-3:2013,
EN 62841-1:2015, EN 62841-2-4:2014

Documentación sobre restricción de sustancias peligrosas (RoHS) recopilada según la norma EN 50581:2012


Andrew John Eyre (BEng, CEng, MIET)
Vicepresidente, Director General de Normativa y Seguridad
Winnenden, Mar. 15, 2018

Autorizado para elaborar la ficha técnica:
Alexander Krug, Administrador Ejecutivo
Techtronic Industries GmbH
Max-Eyth-Straße 10, 71364 Winnenden, Germany

CE

IT DICHIARAZIONE DI CONFORMITÀ


Techtronic Industries GmbH
Max-Eyth-Straße 10, 71364 Winnenden, Germany

Si dichiara con la presente che il prodotto

Multitensile
Marca: RYOBI
Numero modello: RMT300
Gamma numero seriale: 44445901000001- 44445901999999

è conforme alle seguenti Direttive Europee e ai seguenti standard armonizzati
2006/42/EC, 2014/30/EU, 2011/65/EU
EN 55014-1:2017, EN55014-2:2015, EN 61000-3-2:2014, EN 61000-3-3:2013,
EN 62841-1:2015, EN 62841-2-4:2014

La documentazione RoHS è stata compilata come indicato dalle norme EN 50581:2012


Andrew John Eyre (BEng, CEng, MIET)
Vice-Presidente, Dipartimento Regolazioni & Sicurezza
Winnenden, Mar. 15, 2018

Autorizzato per compilare il file tecnico:
Alexander Krug, Direttore Amministrativo
Techtronic Industries GmbH
Max-Eyth-Straße 10, 71364 Winnenden, Germany

CE

NL CONFORMITEITSVERKLARING

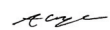
Techtronic Industries GmbH
Max-Eyth-Straße 10, 71364 Winnenden, Germany

Hierbij verklaren wij dat het product

Multitwerktuig
Merck: RYOBI
Modelnummer: RMT300
Serienummerbereik: 44445901000001- 44445901999999

is in overeenstemming met de volgende Europese Richtlijnen en geharmoniseerde normen
2006/42/EC, 2014/30/EU, 2011/65/EU
EN 55014-1:2017, EN55014-2:2015, EN 61000-3-2:2014, EN 61000-3-3:2013,
EN 62841-1:2015, EN 62841-2-4:2014

RoHS-documentatie is samengesteld in overeenstemming met EN 50581:2012


Andrew John Eyre (BEng, CEng, MIET)
Vice-president, Regelgeving en Veiligheid
Winnenden, Mar. 15, 2018

Afgevaardigde voor het samenstellen van de technische fiche:
Alexander Krug, Directeur
Techtronic Industries GmbH
Max-Eyth-Straße 10, 71364 Winnenden, Germany

CE

PT DECLARAÇÃO DE CONFORMIDADE

Techtronic Industries GmbH
Max-Eyth-Straße 10, 71364 Winnenden, Germany

Pelo presente declaramos que os produtos

Multiferramenta
Marca: RYOBI
Número do modelo: RMT300
Intervalo do número de série: 44445901000001- 44445901999999

se encontra em conformidade com as seguintes Directivas Europeias e normas harmonizadas

2006/42/EC, 2014/30/EU, 2011/65/EU
EN 55014-1-2017, EN55014-2-2015, EN 61000-3-2:2014, EN 61000-3-3:2013,
EN 62841-1-2015, EN 62841-2-4:2014

Documentação sobre restrição de substâncias perigosas (RoHS) compilada segundo a norma EN 50581:2012

Andrew John Eyre (BEng, CEng, MIET)
Vice-Presidente, Regulamentação & Segurança
Winnenden, Mar. 15, 2018

Autorizado para compilar o ficheiro técnico:

Alexander Krug, Administrador Executivo
Techtronic Industries GmbH
Max-Eyth-Straße 10, 71364 Winnenden, Germany

CE

DA OVERENSSTEMMELSESERKLÆRING

Techtronic Industries GmbH
Max-Eyth-Straße 10, 71364 Winnenden, Germany

Vi erklærer hermed, at produktet

Multiværktøj
Brand: RYOBI
Modelnummer: RMT300
Serienummerområde: 44445901000001- 44445901999999

er i overensstemmelse med følgende EU-direktiver og harmoniserede standarder

2006/42/EC, 2014/30/EU, 2011/65/EU
EN 55014-1-2017, EN55014-2-2015, EN 61000-3-2:2014, EN 61000-3-3:2013,
EN 62841-1-2015, EN 62841-2-4:2014

RoHS-dokumentationen er udarbejdet i henhold til EN 50581:2012

Andrew John Eyre (BEng, CEng, MIET)
Vicepræsident, Regler og Sikkerhed
Winnenden, Mar. 15, 2018

Bemyndiget til at udarbejde det tekniske kartotek:

Alexander Krug, Administrerende Direktør
Techtronic Industries GmbH
Max-Eyth-Straße 10, 71364 Winnenden, Germany

CE

SV KONFORMITETSDEKLARATION

Techtronic Industries GmbH
Max-Eyth-Straße 10, 71364 Winnenden, Germany

Härmed deklarerar vi att produkterna

Flerfunktionsverktyg
Märke: RYOBI
Modellnummer: RMT300
Serienummerintervall: 44445901000001- 44445901999999

är i enlighet med följande EU-direktiv och harmoniserade standarder

2006/42/EC, 2014/30/EU, 2011/65/EU
EN 55014-1-2017, EN55014-2-2015, EN 61000-3-2:2014, EN 61000-3-3:2013,
EN 62841-1-2015, EN 62841-2-4:2014

RoHS-dokumentation sammanställd enligt EN 50581:2012

Andrew John Eyre (BEng, CEng, MIET)
Vice President, Regelverk och Säkerhet
Winnenden, Mar. 15, 2018

Godkänd att sammanställa den tekniska filen:

Alexander Krug, VD
Techtronic Industries GmbH
Max-Eyth-Straße 10, 71364 Winnenden, Germany

CE

FI SÄÄNNÖSTEN NOUDATTAMINEN

Techtronic Industries GmbH
Max-Eyth-Straße 10, 71364 Winnenden, Germany

Ilmoitamme täten, että tuotteet

Yleistyökalu
Tuotemerkki: RYOBI
Mallinnumero: RMT300
Sarjanumeroalue: 44445901000001- 44445901999999

noudattaa seuraavia EU-direktiivejä ja harmonoituja standardeja

2006/42/EC, 2014/30/EU, 2011/65/EU
EN 55014-1-2017, EN55014-2-2015, EN 61000-3-2:2014, EN 61000-3-3:2013,
EN 62841-1-2015, EN 62841-2-4:2014

RoHS-dokumentaatio on koottu standardin EN 50581:2012 mukaisesti

Andrew John Eyre (BEng, CEng, MIET)
Varatoimitusjohtaja, Säästöstenmukaisuus ja Turvallisuus
Winnenden, Mar. 15, 2018

Valtuutettu kokoamaan tekninen tiedosto:

Alexander Krug, Toimitusjohtaja
Techtronic Industries GmbH
Max-Eyth-Straße 10, 71364 Winnenden, Germany

CE

NO SAMSVARERKLÆRING

Techtronic Industries GmbH
Max-Eyth-Straße 10, 71364 Winnenden, Germany

Herved erklærer vi at produktet

Multiverktøy
Merke: RYOBI
Modellnummer: RMT300
Serienummerserie: 44445901000001- 44445901999999

er i samsvar med følgende europeiske direktiver og harmoniserte standarder

2006/42/EC, 2014/30/EU, 2011/65/EU
EN 55014-1-2017, EN55014-2-2015, EN 61000-3-2:2014, EN 61000-3-3:2013,
EN 62841-1-2015, EN 62841-2-4:2014

RoHS dokumentasjonen er skrevet i samsvar med EN 50581:2012

Andrew John Eyre (BEng, CEng, MIET)
Visepresident, Forskriter og Sikkerhet
Winnenden, Mar. 15, 2018

Autorisert til å sette sammen den tekniske filen:

Alexander Krug, Administrerende Direktør
Techtronic Industries GmbH
Max-Eyth-Straße 10, 71364 Winnenden, Germany

CE

RU ЗАЯВЛЕНИЕ О СООТВЕТСТВИИ ТРЕБОВАНИЯМ

Techtronic Industries GmbH
Max-Eyth-Straße 10, 71364 Winnenden, Germany

Настоящим мы заявляем, что данный продукт

дрель с набором насадок
Марка: RYOBI
Номер модели: RMT300
Диапазон заводских номеров: 44445901000001- 44445901999999

соответствует требованиям следующих Директив ЕС и согласованных стандартов

2006/42/EC, 2014/30/EU, 2011/65/EU
EN 55014-1-2017, EN55014-2-2015, EN 61000-3-2:2014, EN 61000-3-3:2013,
EN 62841-1-2015, EN 62841-2-4:2014

Документация RoHS соответствует стандарту EN 50581:2012

Andrew John Eyre (BEng, CEng, MIET)
Вице-Президент По Технике Безопасности И Стандартам
Winnenden, Mar. 15, 2018

Лицо, ответственное за подготовку технической документации:

Alexander Krug, Директор
Techtronic Industries GmbH
Max-Eyth-Straße 10, 71364 Winnenden, Germany

CE

PL DEKLARACJA ZGODNOŚCI

Techtronic Industries GmbH
Max-Eyth-Straße 10, 71364 Winnenden, Germany

Niniejszym deklarujemy, że produkty

Narzędzie Uniwersalne
Marka: RYOBI
Numer modelu: RMT300
Zakres numerów seryjnych: 44445901000001- 44445901999999

jest zgodny z następującymi dyrektywami europejskimi i zharmonizowanymi normami

2006/42/EC, 2014/30/EU, 2011/65/EU
EN 55014-1:2017, EN55014-2:2015, EN 61000-3-2:2014, EN 61000-3-3:2013,
EN 62841-1:2015, EN 62841-2-4:2014

Dokumentacja RoHS została opracowana zgodnie z normą EN 50581:2012

Andrew John Eyre (BEng, CEng, MIET)
Wiceprezes ds. Zgodności Prawnej i Bezpieczeństwa
Winnenden, Mar. 15, 2018

Osoba upoważniona do sporządzenia dokumentu technicznego:

Alexander Krug, Dyrektor Zarządzający
Techtronic Industries GmbH
Max-Eyth-Straße 10, 71364 Winnenden, Germany

CS PROHLÁŠENÍ O SHODĚ

Techtronic Industries GmbH
Max-Eyth-Straße 10, 71364 Winnenden, Germany

Tímto prohlašujeme, že výrobky

Víceúčelový Nástroj
Značka: RYOBI
Číslo modelu: RMT300
Rozsah sériových čísel: 44445901000001- 44445901999999

že tento výrobek je v souladu s evropskými a harmonizovanými standardy

2006/42/EC, 2014/30/EU, 2011/65/EU
EN 55014-1:2017, EN55014-2:2015, EN 61000-3-2:2014, EN 61000-3-3:2013,
EN 62841-1:2015, EN 62841-2-4:2014

RoHS dokumentace sestavena dle EN 50581:2012

Andrew John Eyre (BEng, CEng, MIET)
Viceprezident, Normy a Bezpečnost
Winnenden, Mar. 15, 2018

Pověření ke kompilaci technického souboru:

Alexander Krug, Generální Ředitel
Techtronic Industries GmbH
Max-Eyth-Straße 10, 71364 Winnenden, Germany

HU IZJAVA O USKLADENOSTI

Techtronic Industries GmbH
Max-Eyth-Straße 10, 71364 Winnenden, Germany

Ezúton kijelentjük, hogy a termék

Multiszerszám
Márka: RYOBI
Típuszám: RMT300
Sorozatszám tartomány: 44445901000001- 44445901999999

megfelel az alábbi Európai Irányelvek és harmonizált szabványok vonatkozó rendelkezéseinek

2006/42/EC, 2014/30/EU, 2011/65/EU
EN 55014-1:2017, EN55014-2:2015, EN 61000-3-2:2014, EN 61000-3-3:2013,
EN 62841-1:2015, EN 62841-2-4:2014

A RoHS dokumentáció összeállítása az EN 50581:2012 szerint történt

Andrew John Eyre (BEng, CEng, MIET)
Alelnök, Megfelelőségi és Biztonsági Területek
Winnenden, Mar. 15, 2018

A műszaki dokumentáció összeállítására felhatalmazott:

Alexander Krug, Ügyvezető Igazgató
Techtronic Industries GmbH
Max-Eyth-Straße 10, 71364 Winnenden, Germany

RO DECLARAȚIE DE CONFORMITATE

Techtronic Industries GmbH
Max-Eyth-Straße 10, 71364 Winnenden, Germany

Prin prezenta, declarăm că produsele

Aparat Multifuncțional
Marcă: RYOBI
Număr serie: RMT300
Gamă număr serie: 44445901000001- 44445901999999

este în conformitate cu următoarele Directive Europene și standarde armonizate

2006/42/EC, 2014/30/EU, 2011/65/EU
EN 55014-1:2017, EN55014-2:2015, EN 61000-3-2:2014, EN 61000-3-3:2013,
EN 62841-1:2015, EN 62841-2-4:2014

Documentația RoHS este întocmită în conformitate cu EN 50581:2012

Andrew John Eyre (BEng, CEng, MIET)
Vicepreședinte, Reglementare & Siguranță
Winnenden, Mar. 15, 2018

Autorizat să completeze fișa tehnică:

Alexander Krug, Director General
Techtronic Industries GmbH
Max-Eyth-Straße 10, 71364 Winnenden, Germany

LV ATBILSTĪBAS DEKLARĀCIJA

Techtronic Industries GmbH
Max-Eyth-Straße 10, 71364 Winnenden, Germany

Ar šo paziņojam, ka produkti

Daudzfunkcionāls Instruments
Modeļa numurs: RMT300
Zīmols: RYOBI
Sērijas numura intervāls: 44445901000001- 44445901999999

atbilst šādām Eiropas direktīvām un saskaņotajiem standartiem

2006/42/EC, 2014/30/EU, 2011/65/EU
EN 55014-1:2017, EN55014-2:2015, EN 61000-3-2:2014, EN 61000-3-3:2013,
EN 62841-1:2015, EN 62841-2-4:2014

RoHS dokumentācija ir izstrādāta saskaņā ar EN 50581:2012

Andrew John Eyre (BEng, CEng, MIET)
Viceprezidents, Darba Drošības Noteikumi
Winnenden, Mar. 15, 2018

Pilnvarots sastādīt tehnisko failu:

Alexander Krug, Izpilddirektors
Techtronic Industries GmbH
Max-Eyth-Straße 10, 71364 Winnenden, Germany

LT ATITIKTIES DEKLARACIJA

Techtronic Industries GmbH
Max-Eyth-Straße 10, 71364 Winnenden, Germany

Mes pareiškiame, kad šie produktai

Daugiafunkcis Įrankis
Prekės ženklas: RYOBI
Modelio numeris: RMT300
Serijinio numerio diapazonas: 44445901000001- 44445901999999

pagamintas laikantis toliau nurodytųjų Europos Direktyvų ir darniųjų standartų

2006/42/EC, 2014/30/EU, 2011/65/EU
EN 55014-1:2017, EN55014-2:2015, EN 61000-3-2:2014, EN 61000-3-3:2013,
EN 62841-1:2015, EN 62841-2-4:2014

Tam tikrų pavojingų medžiagų naudojimo elektros ir elektroninėje įrangoje apraiškos
dokumentai sudaryti pagal standartą EN 50581:2012

Andrew John Eyre (BEng, CEng, MIET)
Kontrolės Ir Saugos Viceprezidentas
Winnenden, Mar. 15, 2018

Įgaliotas sudaryti techninį failą:

Alexander Krug, Generalinis Direktorius
Techtronic Industries GmbH
Max-Eyth-Straße 10, 71364 Winnenden, Germany

ET VASTAVUSDEKLARATSIOON

Techtronic Industries GmbH
Max-Eyth-Straße 10, 71364 Winnenden, Germany

Kinnitame, et see toode

Mitmeotstarbeline Tööriist
Mark: RYOBI
Mudeli number: RMT300
Seerianumbri vahemik: 44445901000001- 44445901999999

vastab järgmistele Euroopa direktiividele ja harmoniseeritud standarditele

2006/42/EC, 2014/30/EU, 2011/65/EU
EN 55014-1-2017, EN55014-2-2015, EN 61000-3-2-2014, EN 61000-3-3-2013,
EN 62841-1-2015, EN 62841-2-4-2014

RoHS dokumendid on koostatud vastavuses standardi EN 50581:2012 nõuetele.

Andrew John Eyre (BEng, CEng, MIET)
Asepresident Standardiseerimise Ja Ohutuse Alal
Winnenden, Mar. 15, 2018

Tehnilise faili koostamiseks volitatud isik:

Alexander Krug, Tegevdirektor
Techtronic Industries GmbH
Max-Eyth-Straße 10, 71364 Winnenden, Germany

CE**SK PREHLÁSENIE O ZHODE**

Techtronic Industries GmbH
Max-Eyth-Straße 10, 71364 Winnenden, Germany

Týmto vyhlasujeme, že výrobok

Viacúčelový Nástroj
Značka: RYOBI
Číslo modelu: RMT300
Rozsah sériových čísiel: 44445901000001- 44445901999999

je v súlade s nasledujúcimi Európskymi smernicami a harmonizovanými normami

2006/42/EC, 2014/30/EU, 2011/65/EU
EN 55014-1-2017, EN55014-2-2015, EN 61000-3-2-2014, EN 61000-3-3-2013,
EN 62841-1-2015, EN 62841-2-4-2014

Dokumentácia RoHS je zostavená podľa EN 50581:2012

Andrew John Eyre (BEng, CEng, MIET)
Viceprezident, Regulácia a Bezpečnosť
Winnenden, Mar. 15, 2018

Oprávnená osoba na zostavenie technického súboru:

Alexander Krug, Generálny Riaditeľ
Techtronic Industries GmbH
Max-Eyth-Straße 10, 71364 Winnenden, Germany

CE**HR IZJAVA O USKLADENOSTI**

Techtronic Industries GmbH
Max-Eyth-Straße 10, 71364 Winnenden, Germany

Ovime izjavljujemo da su proizvodi

Višenamjenski Alat
Marka: RYOBI
Broj modela: RMT300
Raspon serijskog broja: 44445901000001- 44445901999999

usklađen sa sljedećim Europskim Direktivama i usklađenim normama

2006/42/EC, 2014/30/EU, 2011/65/EU
EN 55014-1-2017, EN55014-2-2015, EN 61000-3-2-2014, EN 61000-3-3-2013,
EN 62841-1-2015, EN 62841-2-4-2014

RoHS dokumentacija skladna je EN 50581:2012

Andrew John Eyre (BEng, CEng, MIET)
Potpredsjednik za Pravila i Sigurnost
Winnenden, Mar. 15, 2018

Ovlašten da sastavi tehničku datoteku:

Alexander Krug, Direktor Upravljanja
Techtronic Industries GmbH
Max-Eyth-Straße 10, 71364 Winnenden, Germany

CE**BG ДЕКЛАРАЦИЯ НА ЗА СЪОТВЕТСТВИЕ**

Techtronic Industries GmbH
Max-Eyth-Straße 10, 71364 Winnenden, Germany

С настоящото декларираме, че продуктът

Мулти-инструмент
Марка: RYOBI
Номер на модела: RMT300
Обхват на серийни номера: 44445901000001- 44445901999999

отговаря на следните директиви на ЕС и хармонизирани стандарти

2006/42/EC, 2014/30/EU, 2011/65/EU
EN 55014-1-2017, EN55014-2-2015, EN 61000-3-2-2014, EN 61000-3-3-2013,
EN 62841-1-2015, EN 62841-2-4-2014

RoHS документацията е изготвена в съответствие с EN 50581:2012

Andrew John Eyre (BEng, CEng, MIET)
Вицепрезидент, Правни Услуги И Безопасност
Winnenden, Mar. 15, 2018

Упълномощено лице за съставяне на техническия файл:

Alexander Krug, Изпълнителен Директор
Techtronic Industries GmbH
Max-Eyth-Straße 10, 71364 Winnenden, Germany

CE**SL IZJAVA O SKLADNOSTI**

Techtronic Industries GmbH
Max-Eyth-Straße 10, 71364 Winnenden, Germany

Izjavljamo, da je izdelek

Večnamensko Orodje
Znamka: RYOBI
Številka modela: RMT300
Razpon serijskih števil: 44445901000001- 44445901999999

v skladu s sledečimi evropskimi direktivami in harmoniziranimi standardi

2006/42/EC, 2014/30/EU, 2011/65/EU
EN 55014-1-2017, EN55014-2-2015, EN 61000-3-2-2014, EN 61000-3-3-2013,
EN 62841-1-2015, EN 62841-2-4-2014

Dokumentacija RoHS je sestavljena skladno s standardom EN 50581:2012

Andrew John Eyre (BEng, CEng, MIET)
Podpredsednik, Zakonodajne In Varnostne Zadeve
Winnenden, Mar. 15, 2018

Pooblaščen oseba za sestavo tehnične dokumentacije:

Alexander Krug, Izvršni Direktor
Techtronic Industries GmbH
Max-Eyth-Straße 10, 71364 Winnenden, Germany

CE**UK ДЕКЛАРАЦИЯ ПРО ВІДПОВІДНІСТЬ**

Techtronic Industries GmbH
Max-Eyth-Straße 10, 71364 Winnenden, Germany

При цьому ми заявляємо, що продукт

Мультиінструмент
Марка: RYOBI
Номер моделі: RMT300
Діапазон серійного номеру: 44445901000001- 44445901999999

у відповідності з наступними європейськими директивами та гармонізованими стандартами

2006/42/EC, 2014/30/EU, 2011/65/EU
EN 55014-1-2017, EN55014-2-2015, EN 61000-3-2-2014, EN 61000-3-3-2013,
EN 62841-1-2015, EN 62841-2-4-2014

Документація RoHS складена відповідно до EN 50581:2012

Andrew John Eyre (BEng, CEng, MIET)
Vice President, Regulatory & Safety
Winnenden, Mar. 15, 2018

Authorised to compile the technical file:

Alexander Krug, Managing Director
Techtronic Industries GmbH
Max-Eyth-Straße 10, 71364 Winnenden, Germany

CE

TR UYGUNLUK BEYANI

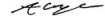
Techtronic Industries GmbH
Max-Eyth-Straße 10, 71364 Winnenden, Germany

Böylelikle beyan ederiz ki; ürün

Cok Amaçlı Alet
Marka: RYOBI
Model numarası: RMT300
Seri numarası aralığı: 44445901000001- 44445901999999

aşağıdaki Avrupa Direktifleri ve uyumlaştırılmış standartlara uygundur
2006/42/EC, 2014/30/EU, 2011/65/EU
EN 55014-1:2017, EN55014-2:2015, EN 61000-3-2:2014, EN 61000-3-3:2013,
EN 62841-1:2015, EN 62841-2-4:2014

RoHS belgeleri EN 50581:2012 uyarınca derlenmiştir



Andrew John Eyre (BEng, CEng, MIET)
Başkan Vekili, Düzenleme ve Güvenlik
Winnenden, Mar. 15, 2018

CE

Teknik dosya hazırlamaya yetkilidir:
Alexander Krug, Genel Müdür
Techtronic Industries GmbH
Max-Eyth-Straße 10, 71364 Winnenden, Germany

EL ΔΗΛΩΣΗ ΣΥΜΜΟΡΦΩΣΗΣ


Techtronic Industries GmbH
Max-Eyth-Straße 10, 71364 Winnenden, Germany

Δια του παρόντος δηλώνουμε ότι το προϊόν

Πολυεργαλείο
Μάρκα: RYOBI
Αριθμός μοντέλου: RMT300
Εύρος σειριακών αριθμών: 44445901000001- 44445901999999

είναι σύμφωνο με τις παρακάτω Ευρωπαϊκές Οδηγίες και εναρμονισμένα πρότυπα
2006/42/EC, 2014/30/EU, 2011/65/EU
EN 55014-1:2017, EN55014-2:2015, EN 61000-3-2:2014, EN 61000-3-3:2013,
EN 62841-1:2015, EN 62841-2-4:2014

Τα έγγραφα RoHS συντάσσονται σύμφωνα με το EN 50581:2012



Andrew John Eyre (BEng, CEng, MIET)
Αντιπρόεδρος, Τμήμα Ρυθμίσεων & Ασφάλειας
Winnenden, Mar. 15, 2018

CE

Εξουσιοδοτημένο άτομο για σύνταξη τεχνικού αρχείου:
Alexander Krug, Διευθύνων Σύμβουλος
Techtronic Industries GmbH
Max-Eyth-Straße 10, 71364 Winnenden, Germany



Techtronic Industries GmbH
Max-Eyth-Straße 10,
71364 Winnenden, Germany

20180412v1