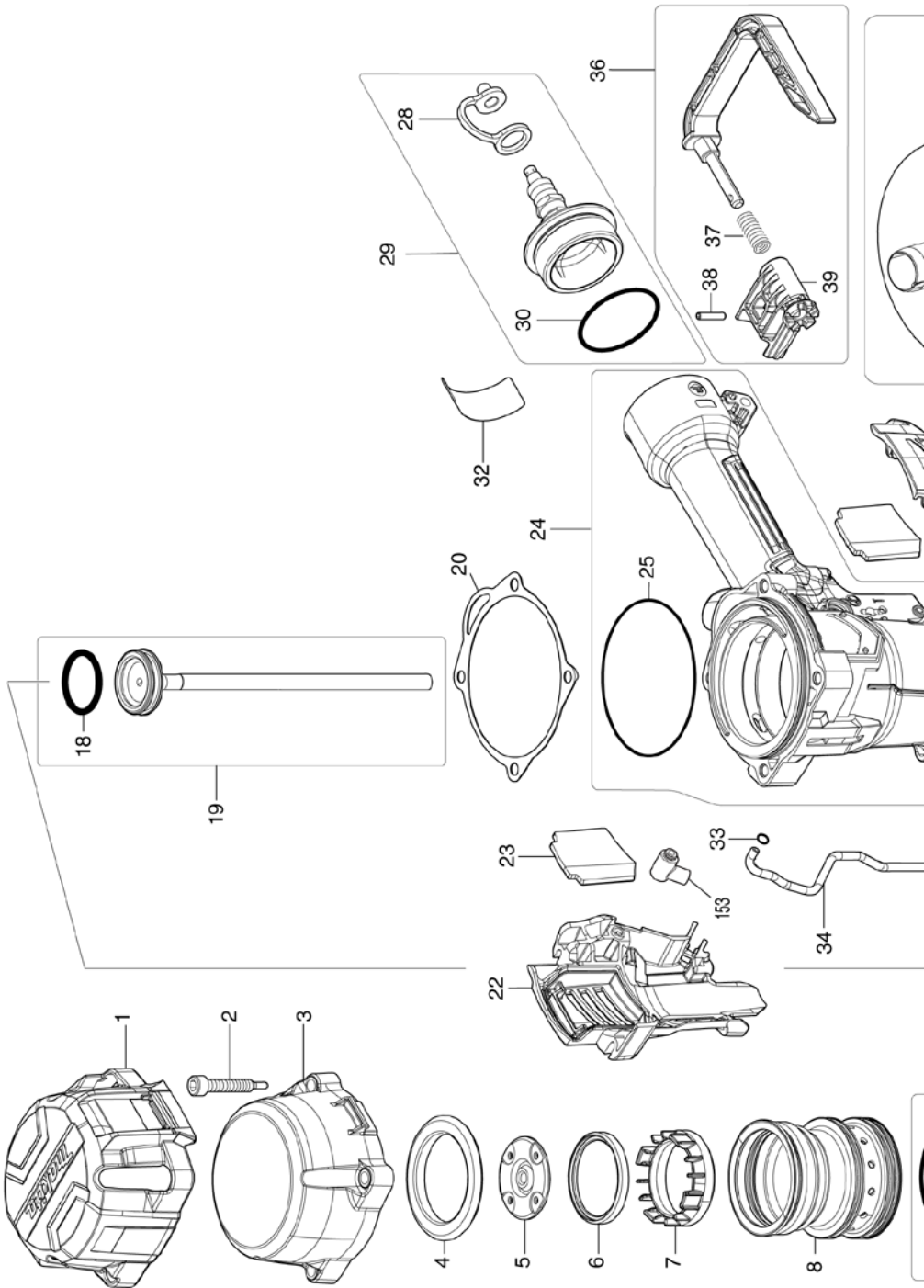
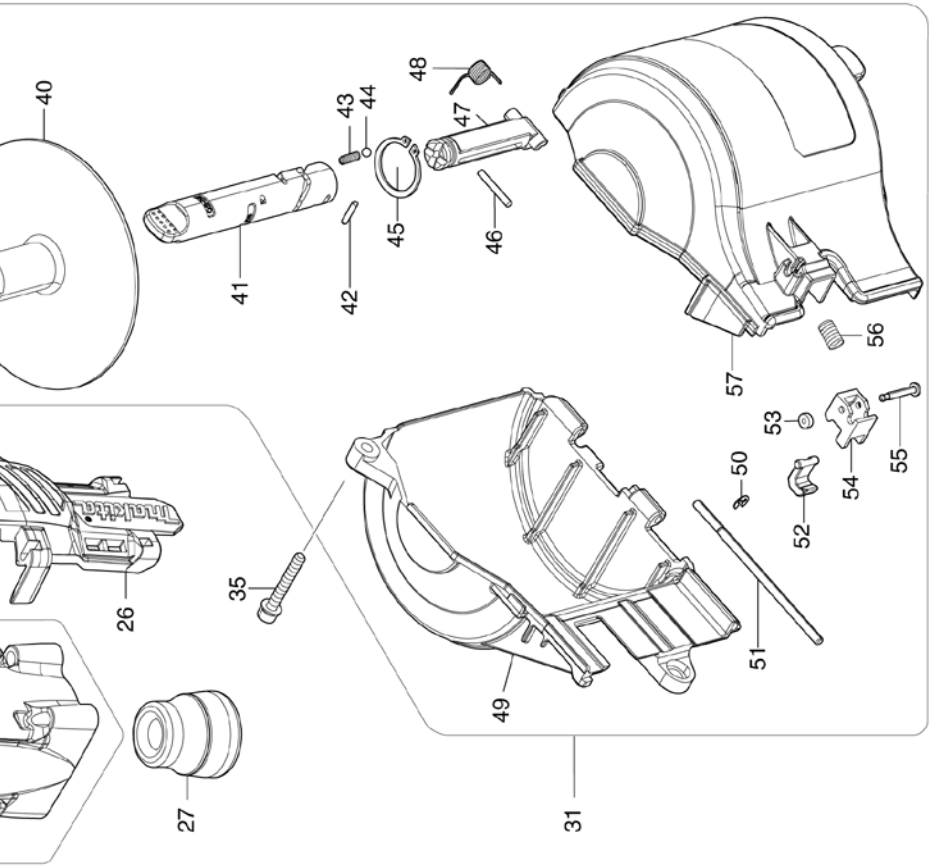
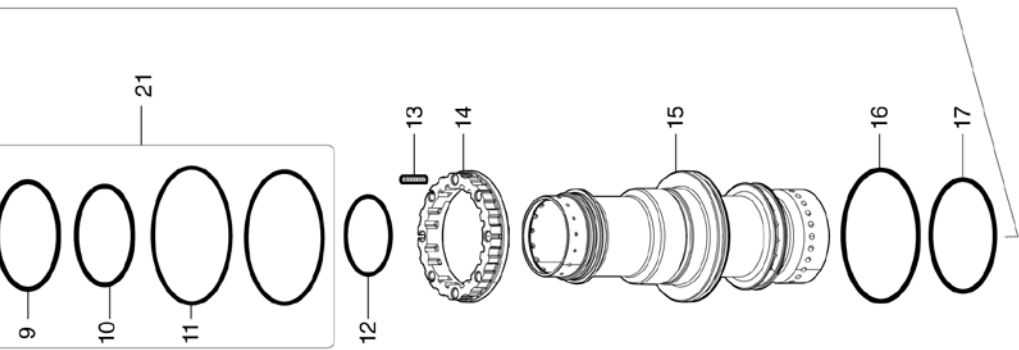




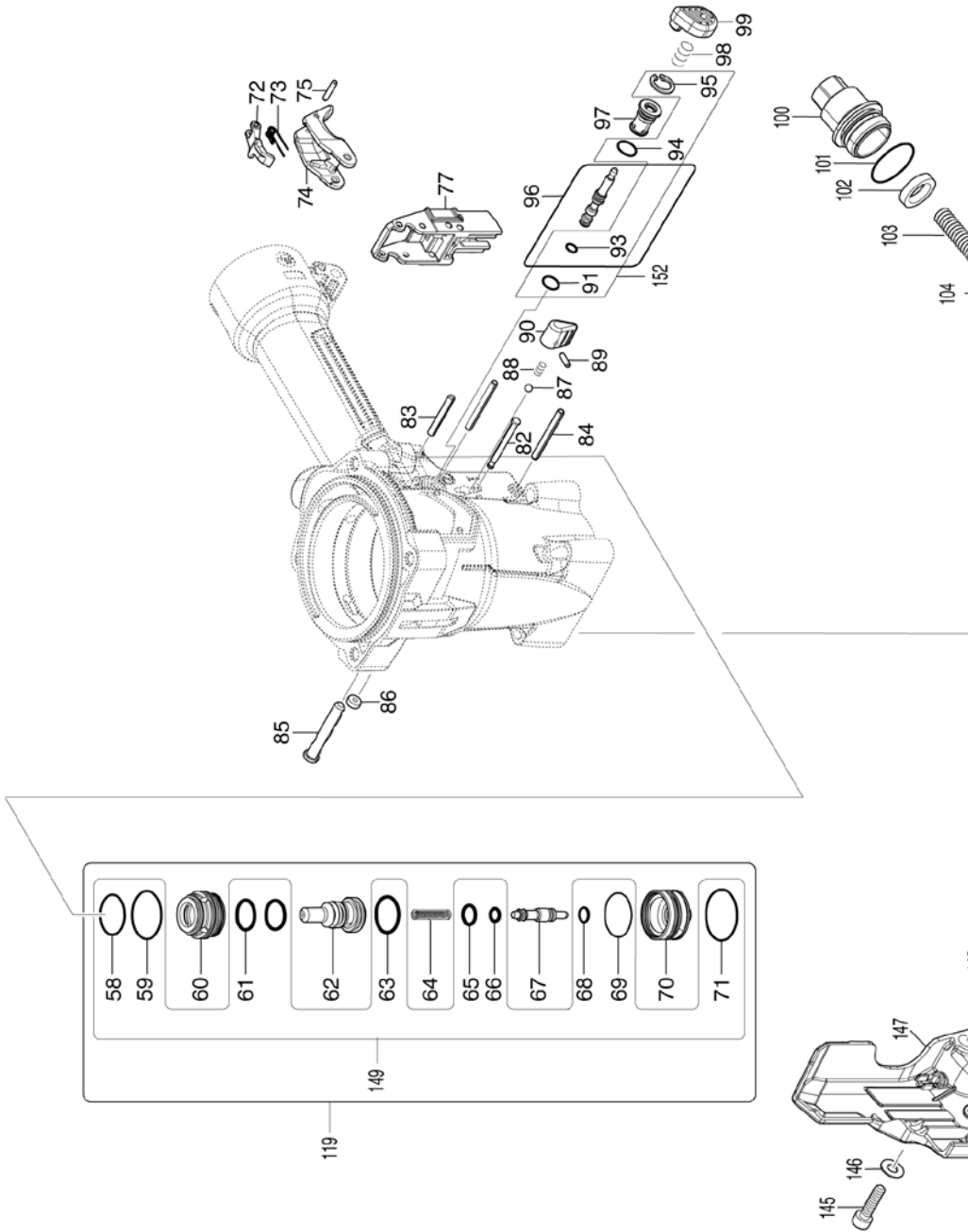
100185 MAKITA AN936H

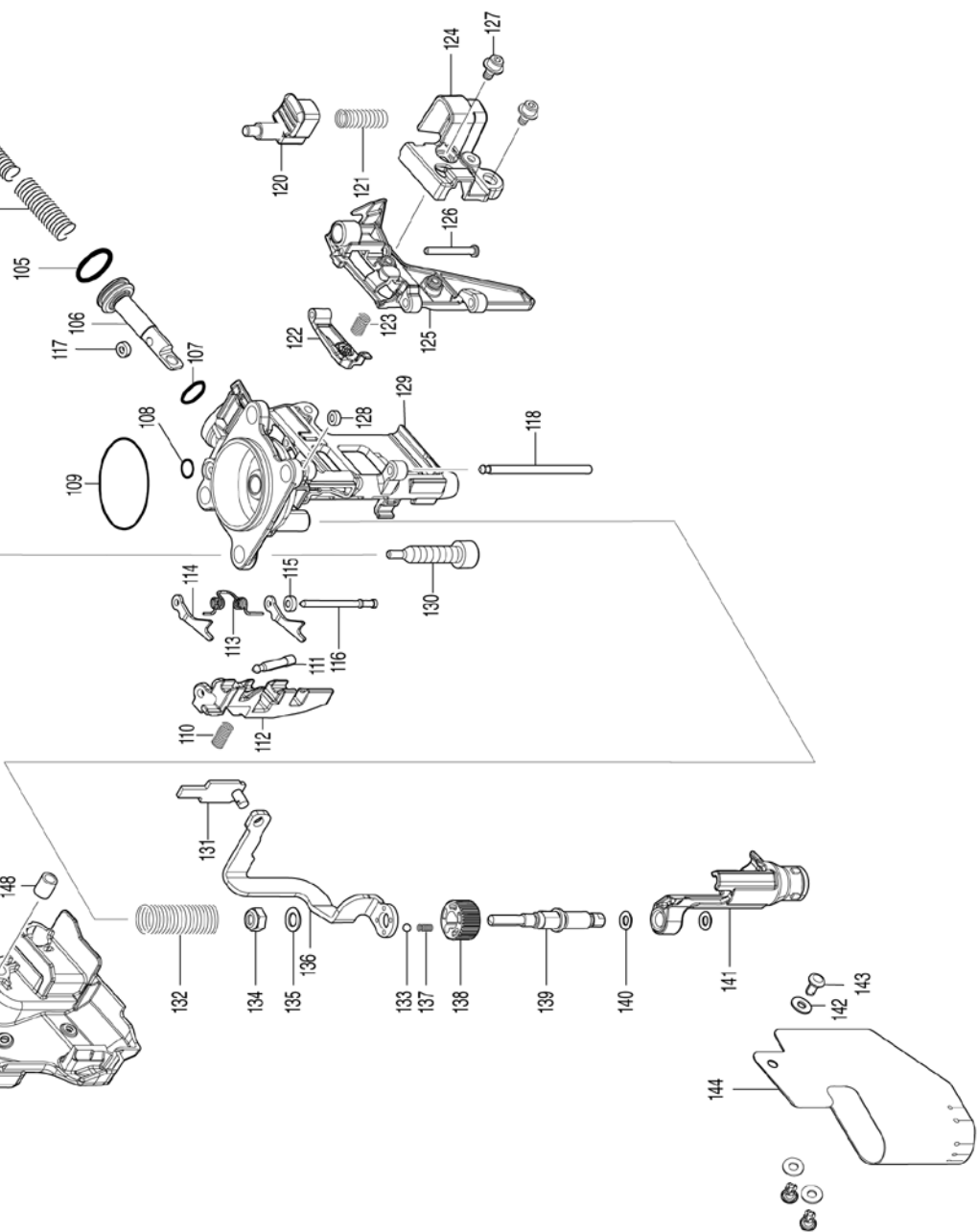
Explode drawing and spare part list





Explode drawing - 100185 Makita AN936H





Spare part list – 100185 Makita AN936H

ITEM NO.	PART NO.	DESCRIPTION
001	422324-8	TOP CAP COVER
002	265671-2	HEX SOCKET HEAD BOLT M6X40
003	319765-6	TOP CAP
004	422319-1	VALVE SEAT
005-1	422560-6	REAR CUSHION
006	327175-3	VALVE SEAT GUIDE
007	458698-1	HEAD VALVE GUIDE
008	327174-5	HEAD VALVE
009	213791-6	O-RING 48
010	213792-4	O-RING 45
011	213790-8	O-RING 58
012	213510-0	O RING 36
013	232403-2	COMPRESSION SPRING 3
014	458699-9	SPRING GUIDE
015	327173-7	CYLINDER
016-1	213196-0	O-RING 53
017	213556-6	O RING 42
018	213588-3	O-RING 28
019	136088-5	DRIVER ASSEMBLY
020	162475-2	TOP CAP GASKET
021	199998-7	REPAIR KIT FOR EXHAUST HOLE
022-1	412600-8	EXHAUST COVER R
023	422320-6	FILTER
024-1	136968-5	HOUSING ASSEMBLY
024-2	136228-5	HOUSING ASSEMBLY
025	213755-0	O RING 75
026	458695-7	EXHAUST COVER L
027	422318-3	FRONT CUSHION
028	286280-4	CAP 9
029	135940-4	INLET CAP ASSY
030	213506-1	O RING 36
031	136970-8	MAGAGINE ASSEMBLY
032	8140D0-0	AN936H NAME PLATE
034-1	412593-9	DUSTER TUBE
035	922258-0	H.S.H.BOLT MSX35 WITH WR
036	136087-7	HOOK ASSEMBLY
037	233343-7	COMPRESSION SPRING 7
038	951063-8	SPRING PIN 3-16
039	455324-3	HOOK BASE
040	458700-0	CHANGE PLATE
041	419859-8	ADJUST SLEEVE
042	268272-5	PIN 2.5

ITEM NO.	PART NO.	DESCRIPTION
043	233492-0	COMPRESSION SPRING 2
044	216008-6	STEEL BALL 4
045	961105-0	RETAINING RING S-25
046	268168-0	PIN 3
047	459239-6	ADJUST SHAFT
048	232506-2	TORSION SPRING 7
049	458694-9	MAGAZINE
050	259042-3	STOP RING E-3
051	256773-5	PIN 4
052	310608-5	LATCH
053	261118-4	URETHANE WASHER
054	455380-3	LATCH BASE
055	268321-8	PIN 3
056	231490-8	COMPRESSION SPRING 5
057	141S12-9	MAGAZINE CAP COMPLETE
058	213233-0	O-RING 15
059	213275-4	O RING 18
060	327194-9	TRIGGER VALVE GUIDE
061	213968-3	O-RING 7
062	326763-3	PILOT VALVE
063	213185-5	O-RING 12.5
064	234188-6	COMPRESSION SPRING 3
065	213771-2	O-RING 6
066-3	213A17-2	O-RING 3
067	326476-6	TRIGGER VALVE STEM
068	213640-7	O-RING 3
069	213087-5	O-RING 16.5
070	326765-9	TRIGGER VALVE CASE
071	213310-8	O RING 20
072	310503-9	IDLER C
073	233570-6	TORSION SPRING 3
074	310762-5	TRIGGER S
075	951007-8	SPRING PIN 2-12
077	451963-7	TRIGGER BASE
082	268262-8	PIN 3
083	258037-3	SPRING PIN 3-26
084	951078-5	SPRING PIN 3-32
085	325928-4	LOCK PIN 6A
086	261118-4	URETHANE WASHER
087	216001-0	STEEL BALL 3.5
088	232417-1	COMPRESSION SPRING 3
089	951001-0	SPRING PIN 2-8
090	451953-0	LEVER 6
091-1	213900-7	O-RING 5.5

ITEM NO.	PART NO.	DESCRIPTION
093-1	213587-5	O RING 3
094	213026-5	O RING 7
095	962052-8	RETAINING RING R-12
096-1	136239-0	DUSTER VALVE STEM ASSY
097	327024-4	DUSTER VALVE GUIDE
098	234010-7	COMPRESSION SPRING 5
099	422210-3	DUSTER SWITCH
100	327172-9	PISTON CYLINDER
101	213843-3	O-RING 21
102	262188-6	URETHANE RING 13
103	232480-4	COMPRESSION SPRING 7
104	232481-2	COMPRESSION SPRING 9
105	213154-6	O RING 14
106	326023-3	PISTON
107	213054-0	O RING 9
108	213045-1	O-RING 6
109	213569-7	O RING 45
110	234225-6	COMPRESSION SPRING 5
111	256432-1	PIN 4-4.5
112	310887-5	FEEDING CLAW
113	233581-1	TORSION SPRING 4
114	346387-9	CHECK CLAW
115	262187-8	URETHANE RING 3
116	256517-3	PIN 3
117	262187-8	URETHANE RING 3
118	256570-9	PIN 4
119	136008-9	TRIGGER VALVE ASS'Y
120	162320-1	LOCK LEVER
121	231401-3	COMPRESSION SPRING 7
122	310444-9	NAIL HOLDER
123	234009-2	COMPRESSION SPRING 4
124	452553-9	DOOR COVER
125-1	310937-6	DOOR
126	268274-1	PIN 3
127	266831-9	HEX SOCKET HEAD BOLT M4X8
128	262187-8	URETHANE RING 3
129	140D20-7	DRIVER GUIDE COMPLETE
130	265670-4	HEX SOCKET HEAD BOLT M8X41
131-1	310504-7	CONTACT PLATE B
132	234186-0	COMPRESSION SPRING 12
133	216001-0	STEEL BALL 3.5
134	264027-6	HEX LOCK NUT M6-10
135	941152-7	FLAT WASHER 6

ITEM NO.	PART NO.	DESCRIPTION
136	347421-8	CONTACT ARM
137	232417-1	COMPRESSION SPRING 3
138	458645-2	ADJUSTER DIAL
139	327156-7	ADJUSTER SHAFT
140	213005-3	O RING 5
141	310896-4	CONTACT TOP
142	941051-3	FLAT WASHER 4
143	255174-4	PUSH RIVET
144	422321-4	COVER
145	265973-6	HEX. SOCKET HEAD BOLT M5X20
146	941101-4	FLAT WASHER 5
147	458697-3	CONTACT ARM COVER
148	257666-9	SLEEVE 5
149	199389-2	REPAIR KIT FOR TRIGGER
152-1	191K42-2	REPAIR KIT FOR DUSTER
153	422593-1	DUSTER TUBE BASE



KYOCERA UNIMERCO Fastening A/S
Drejervej 2
DK-7451 Sunds
Tlf. +45 97 14 14 40
Fax +45 97 14 14 86
tjep@kyocera-unimerco.com