

RYOBI®

EBS800
EBS800V
TYPE II

ORIGINAL INSTRUCTIONS
TRADUCTION DES INSTRUCTIONS ORIGINALES
ÜBERSETZUNG DER ORIGINALANLEITUNG
TRADUCCIÓN DE LAS INSTRUCCIONES ORIGINALES
TRADUZIONE DELLE ISTRUZIONI ORIGINALI
VERTALING VAN DE ORIGINELE INSTRUCTIES
TRADUÇÃO DAS INSTRUÇÕES ORIGINAIS
OVERSETTELSE AF DE ORIGINELE INSTRUKTIONER
ÖVERSÄTTNING AV DE URSPRUNGLIGA INSTRUKTIONERNA
ALKUPERÄISTEN OHJEIDEN SUOMENNOS
OVERSETTELSE AV DE ORIGINELE INSTRUKSJONENE
ПЕРЕВОД ОРИГИНАЛЬНЫХ ИНСТРУКЦИЙ
TŁUMACZENIE INSTRUKCJI ORYGINALNEJ
PŘEKLAD ORIGINÁLNÍCH POKYNŮ
AZ EREDETI ÚTMUTATÓ FORDÍTÁSA
TRADUCEREA INSTRUCȚIUNILOR ORIGINALE
TULKOTS NO ORIGINĀLĀS INSTRUKCIJAS
ORIGINALIŲ INSTRUKCIJŲ VERTIMAS
ORIGINAALJUHENDI TÕLGE
PRIJEVOD ORIGINALNIH UPUTA
PREVOD ORIGINALNIH NAVODIL
PREKLAD ORIGINÁLNYCH POKYNOV
ПЕРЕВОД ОТ ОРИГИНАЛНИТЕ ИНСТРУКЦИИ
ORIJ NAL TALIMATLARIN TERCÜMESI
ΜΕΤΑΦΡΑΣΗ ΤΩΝ ΠΡΩΤΟΤΥΠΩΝ ΟΔΗΓΙΩΝ



EN
FR
DE
ES
IT
NL
PT
DA
SV
FI
NO
RU
PL
CS
HU
RO
LV
LT
ET
HR
SL
SK
BG
UK
TR
EL





Important!	It is essential that you read the instructions in this manual before assembling, maintaining and operating the product.
Attention!	Il est essentiel que vous lisiez les instructions contenues dans ce manuel avant d'assembler, d'entretenir et d'utiliser le produit.
Achtung!	Es ist wichtig, dass Sie vor Zusammenbau, Wartung und Benutzung des Produktes die Anweisungen in dieser Anleitung lesen.
¡Atención!	Resulta fundamental que lea este manual de instrucciones antes de realizar el montaje, el mantenimiento y de utilizar este producto
Attenzione!	E' importante leggere le istruzioni contenute nel presente manuale prima di montare il prodotto, svolgere le operazioni di manutenzione sullo stesso e metterlo in funzione.
Let op!	Het is van essentieel belang dat u de instructies in deze gebruiksaanwijzing leest voor u het product monteert, onderhoudt en gebruikt.
Atenção!	É fundamental que leia as instruções deste manual antes da montagem, manutenção e operação do aparelho.
OBS!	Det er vigtigt, at man læser instrukserne i denne brugsanvisning, inden man samler, vedligeholder og betjener produktet.
Observera!	Det är viktigt att du läser instruktionerna i manualen före montering, användning och underhåll av produkten.
Huomio!	On tärkeää, että luet tämän käsikirjan ohjeet ennen tuotteen kokoamista, huoltoa ja käyttöä.
Advarsel!	Det er vigtigt at du leser instruksjonene i denne manualen før sammensetning, vedlikehold og bruk av produktet
Внимание!	Необходимо прочитать инструкции в данном руководстве перед сборкой, обслуживанием и эксплуатацией этого изделия.
Uwaga!	Koniecznle należy przeczytać instrukcje zawarte w tym podręczniku przed montażem, obsługą oraz konserwacją produktu.
Důležité upozornění!	Neinstalujte, neprovádějte údržbu ani nepoužívejte tento výrobek dřive, než si přečtete pokyny uvedené v tomto návodu.
Figyelem!	Fontos, hogy a termék összeszerelése, karbantartása és használatá előtt elolvassa a kézikönyvben található utasításokat.
Atenție!	Este esențial să citiți instrucțiunile din acest manual înainte de asamblare, efectuarea întreinerii și operarea produsului.
Uzmanību!	Ir svarīgi izlasīt šīs rokasgrāmatas instrukcijas pirms uzstādīšanas, apkopes un preces darbināšanas.
Dėmesio!	Prieš surenkant, prižiūrint ir naudojant gaminį, būtina perskaityti šiam vadove pateiktus nurodymus.
Tähtis!	Enne masina kokkupanekut, hooldamist ja kasutama hakkamist tuleb käesolevas juhendis esitatud juhised kindlasti läbi lugeda.
Upozorenje!	Vrlo je važno da ste prije sklapanja, održavanja i rada s ovim proizvodom pročitali upute u ovom priručniku.
Pomembno!	Pomembno je da pred montažo vzdrževanjem in uporabo tega izdelka preberete navodila v tem priručniku.
Upzornenie!	Je dôležité, aby ste si pred montážou, údržbou a obsluhou produktu prečítali pokyny v tomto návode.
Важно!	Исключительно важно е да прочетете инструкциите в настоящото ръководство, преди да преминете към сглобяване, поддръжка или работа с продукта.
Важливо!	Дуже важливо, щоб ви прочитали інструкції в цьому керівництві перед складанням, обслуговуванням та експлуатацією цієї машини.
Dikkat!	Ürünün montajını, bakımını yapmadan ve ürünün çalıştırmadan önce bu kılavuzda yer alan talimatları okumanız önemlidir.
Προσοχή!	Είναι πολύ σημαντικό να διαβάσετε τις οδηγίες στο παρόν εγχειρίδιο πριν συναρμολογήσετε, συντηρήσετε ή λειτουργήσετε το προϊόν.

Subject to technical modification | Sous réserve de modifications techniques | Technische Änderungen vorbehalten | Bajo reserva de modificaciones técnicas | Con riserva di eventuali modifiche tecniche | Technische wijzigingen voorbehouden | Com reserva de modificações técnicas | Med forbehold for tekniske ændringer | Med förbehåll för tekniska ändringar | Tekniset muutokset varataan | Med forbehold om tekniske endringer | могут быть внесены технические изменения | Z zastrzeżeniem modyfikacji technicznych | Změny technických údajů vyhrazeny | A műszaki módosítás jogát fenntartjuk | Sub rezerva modifiцаiilor tehnice | Paturam tiesības mainīt tehnisko raksturlielumus | Pasiilikant teise daryti techninius pakeitimus | Tehnilised muudatused võimalikud | Podložno tehničkim promjenama | Tehnične spremembe dopuščene | Právo na technické zmeny je vyhradené | Подлежи на технически модификации | Є об'єктом для технічних змін | Teknik değişiklik hakkı saklıdır | Υπό την επιφύλαξη τεχνικών τροποποιήσεων



Safety, performance, and dependability have been given top priority in the design of your belt sander.

INTENDED USE

The belt sander is intended to be used only by adults who have read and understood the instructions and warnings in this manual, and can be considered responsible for their actions.

The product is intended for sanding metal, wood, plastic, or similar materials. It can also remove paint, varnish, and corrosion from surfaces. The product should only be used in well ventilated areas.

The product is designed for dry sanding only. Do not use for wet sanding.

The belt sander can be used in handheld mode and moved manually by the operator on the workpiece surface to be sanded. The workpiece should be fixed to a sturdy and stable platform.

The belt sander can be operated in the inverted mode when fixed to a work bench using the accessories provided by the manufacturer. When in the inverted mode, the operator guides the work piece to be sanded on the sanding belt.

The product is intended for consumer use only.

Do not use the product for any other purpose. Use of the product for operations different from intended could result in a hazardous situation.

WARNING

Dust from certain paints, coatings and materials may cause irritation or allergic reactions to the respiratory system. Dust from wood, such as oak, beech, MDF and others are carcinogenic. Material containing asbestos should only ever be worked or processed by qualified specialist operators.

WARNING

Read all safety warnings, instructions, illustrations and specifications provided with this power tool. Failure to follow all instructions listed below may result in electric shock, fire and/or serious injury.

Save all warnings and instructions for future reference.

GENERAL WORKING STAND SAFETY WARNINGS

WARNING

Read all safety warnings and all instructions provided with the working stand and the power tool to be mounted. Failure to follow the warnings and instructions may result in electric shock, fire and/or serious injury.

Save all warnings and instructions for future reference.

- The term "power tool" in the warnings refers to your mains-operated (corded) power tool or battery-operated (cordless) power tool.
- **Disconnect the plug from the power source and**

or the battery pack from the power tool before making any adjustments or changing accessories. Accidental starting of the power tool is a cause of some accidents.

- **Properly assemble the working stand before mounting the tool.** Proper assembly is important to prevent risk of collapse.
- **Securely fasten the power tool to the working stand before use.** Power tool shifting on the working stand can cause loss of control.
- **Place the working stand on a solid, flat and level surface.** When the working stand can shift or rock, the power tool or workpiece cannot be steadily and safely controlled.
- **Do not overload the working stand or use as ladder or scaffolding.** Overloading or standing on the working stand causes the stand to be "top-heavy" and likely to tip over.

BELT SANDER SAFETY WARNINGS

- **Hold the power tool by insulated gripping surfaces, because the sanding surface may contact its own cord.** Cutting a "live" wire may make exposed metal parts of the power tool "live" and could give the operator an electric shock.

ADDITIONAL SAFETY WARNINGS

- **Clamp workpiece with a clamping device.** Unclamped workpieces can cause severe injury and damage. Do not hold the material you are sanding by hand.
- **Do not use sanding belt larger than needed.**
- **Always wear safety goggles and a dust mask.**
- **A suitable breathing respirator must be worn while sanding lead paint, some woods and metal to avoid breathing the harmful/toxic dust or air.**

RESIDUAL RISKS

Even when the product is used as prescribed, it is still impossible to completely eliminate certain residual risk factors. The following hazards may arise and the operator should pay special attention to avoid the following:

- Entrapment/contact with the moving belt
 - Especially during inverted operation, additional caution must be exercised to prevent operator's fingers and hands from coming into contact with the abrasive belt or entrapped by the rollers. Use the fence accessory whenever possible to help control the workpiece and prevent entrapment with the moving roller.
- Injury caused by dust
 - Using the product will produce considerable amount of dust and fine particles. Use the dust collection device or connect a dust extraction vacuum when operating the product. Wear dust masks containing filters appropriate to the materials being worked on. Ensure adequate workplace ventilation. Do not eat, drink, or smoke in the work area. Only operate on materials which are specified in the Intended

use section. Do not operate on materials (e.g., asbestos) which present a health hazard.

- Risk of explosion
 - Accumulated fine dust may ignite and cause fire. Keep the work area clean and free from dust. Dust collection and vacuum extraction systems should be regularly and thoroughly cleaned. When sanding metal, hot sparks may be produced.
- Electrocution
 - Keep power and extension cables clear from the working range of the product and other conductive surfaces.
- Noise and vibration
 - Wear ear protection when operating the product. Do not operate the product for extended periods of time.

RISK REDUCTION

It has been reported that vibrations from hand-held tools may contribute to a condition called Raynaud's Syndrome in certain individuals. Symptoms may include tingling, numbness and blanching of the fingers, usually apparent upon exposure to cold. Hereditary factors, exposure to cold and dampness, diet, smoking and work practices are all thought to contribute to the development of these symptoms. These are measures that can be taken by the operator to possibly reduce the effects of vibration:

- Keep your body warm in cold weather. When operating the unit wear gloves to keep the hands and wrists warm. It is reported that cold weather is a major factor contributing to Raynaud's Syndrome.
- After each period of operation, exercise to increase blood circulation.
- Take frequent work breaks. Limit the amount of exposure per day.

If you experience any of the symptoms of this condition, immediately discontinue use and see your doctor about these symptoms.

KNOW YOUR PRODUCT

See page 109.

1. Speed dial (EBS800V)
2. Front handle, insulated gripping surface
3. Front handle adjustment button
4. Sanding belt adjustment knob
5. Lock-on button
6. Main handle, insulated gripping surface
7. Dust box cover
8. Dust box
9. Clamp (EBS800V)
10. Trigger
11. Sanding belt release lever
12. Bench sanding stopper (EBS800V)
13. Sanding belt
14. Sanding frame (EBS800V)
15. Sanding frame adjustment knob (EBS800V)

OPERATION

- Do not operate the product without a properly tracked and fitted belt. An incorrectly tracked belt may come off the product and cause personal injury or damage to the sander.
- Secure the workpiece with a vice or clamp to a suitable work bench. This helps to prevent the workpiece becoming a thrown object.
- Use the supplied handles to hold and control the product with both hands.
- Do not force the tool. Use the correct product for your application. The correct product will do the job better and safer at the rate for which it is designed.
- Do not apply excessive pressure to the product. Let the weight of the product apply the correct pressure and use your hands to guide the sander. Excessive pressure will overload the product and damage the motor. Applying more pressure will not remove more material and will reduce sanding efficiency instead.
- Change the sanding belt often to maintain the product's ability to effectively remove material.
- Start the product using the trigger switch and allow the belt to gain correct speed. Then lower the belt onto the workpiece. Hold the product securely in both hands because the movement of the belt will drive the product forwards.
- Choose a belt of the correct size and appropriate roughness for the task. Use belts with a lower grit number for removing more material; higher grit number for removing less material and for a finer finish. Replace the belt if it becomes damaged, clogged with debris, or is worn.
- It is normal to sand and move the product back and forth along the grain of the material. Sanding across the grain will work but it results to a scratched and damaged surface.

WARNING

Dust from certain paints, coatings and materials may cause irritation or allergic reactions to the respiratory system. Dust from wood, such as oak, beech, MDF and others are carcinogenic. Material containing asbestos should only ever be worked or processed by qualified specialist operators.

- Use the dust collector or connect the dust port to a vacuum device to reduce risks associated with dust particles.
- All persons within the work area or nearby should wear dust masks which offer appropriate protection.
- Always wear safety goggles or safety glasses with side shields when operating products.
- Use the sanding frame and the fence attachments when using the product in the inverted mode of operation. Use of the attachments helps to control the position of the workpiece and prevents accidental contact with the moving belt and rollers.
- When used in the inverted mode, the product must be

adequately secured to a suitable work bench using the accessory clamps provided. See graphic instructions later in this manual.

WARNING

Injuries may be caused, or aggravated, by prolonged use of a tool. When using any tool for prolonged periods, ensure you take regular breaks.

MAINTENANCE

WARNING

The product should never be connected to a power supply when assembling parts, making adjustments, cleaning, performing maintenance, or when the product is not in use. Disconnecting the product from the power supply will prevent accidental starting that could cause serious injury.

WARNING

When servicing, use only original manufacturer's replacement parts, accessories and attachments. Use of any other parts may create a hazard or cause product damage.

WARNING

Do not at any time let brake fluids, gasoline, petroleum-based products, penetrating oils, etc., come in contact with plastic parts. Chemicals can damage, weaken or destroy plastic which may result in serious personal injury.

Avoid using solvents when cleaning plastic parts. Most plastics are susceptible to various types of commercial solvents and may be damaged by their use. Use clean cloths to remove dirt, carbon dust, etc.

Electric tools used on fiberglass material, wallboard, spackling compounds or plaster are subject to accelerated wear and possible premature failure because the fiberglass chips and grindings are highly abrasive to bearings, brushes, commutators, etc. We do not recommend using the product for extended periods of time on these types of materials.

After each use, remove the belt and dust collector if fitted. Clean the dust collector as shown in the illustrations in this manual. Clean the product thoroughly with a brush, dry cloth and vacuum cleaner.

WARNING

Do not use compressed air to blow dust from the product to prevent serious eye injury.

WARNING

If the supply cord is damaged, it must be replaced by a special cord or assembly available from the manufacturer or its service agent. Contact the authorised service centre.

For greater safety and reliability, all repairs should be performed by an authorised RYOBI service centre.

All of the bearings in this tool are lubricated with a sufficient amount of high grade lubricant for the life of the unit under normal operating conditions. Therefore, no further lubrication is required.

ENVIRONMENTAL PROTECTION



Recycle raw materials instead of disposing of as waste. The machine, accessories and packaging should be sorted for environmental-friendly recycling.

SYMBOL



Safety Alert

V

Volts

Hz

Hertz

~

Alternating current

W

Watts

n_o

No-load speed

min⁻¹

Revolutions or reciprocations per minute



CE Conformity



EurAsian Conformity Mark



Ukrainian mark of conformity



Class II tool, double insulated



Please read the instructions carefully before starting the product.



Wear ear protection



Wear eye protection



Waste electrical products should not be disposed of with household waste. Please recycle where facilities exist. Check with your local authority or retailer for recycling advice.

SYMBOLS IN THIS MANUAL



Note



Connect to the power supply.



Disconnect from the power supply.



Lock



Unlock



Speed, minimum



Speed, maximum

The following signal words and meanings are intended to explain the levels of risk associated with this product:

DANGER

Indicates an imminently hazardous situation, which, if not avoided, will result in death or serious injury.

WARNING

Indicates a potentially hazardous situation, which, if not avoided, could result in death or serious injury.

CAUTION

Indicates a potentially hazardous situation, which, if not avoided, may result in minor or moderate injury.

CAUTION

(Without Safety Alert Symbol) Indicates a situation that may result in property damage.

Notre ponceuse à bande a été conçue en donnant priorité à la sécurité, à la performance et à la fiabilité.

UTILISATION PRÉVUE

La ponceuse à bande est destinée à être utilisée uniquement par des adultes ayant lu et compris les instructions et avertissements inclus dans le présent manuel et pouvant être considérés comme responsables de leurs actes.

Le produit est conçu pour le ponçage du métal, du bois, du plastique ou de matériaux similaires. Le produit ne doit être utilisé que dans un environnement bien ventilé. Il ne doit être utilisé que dans un environnement bien ventilé.

Le produit n'est prévu que pour le ponçage à sec. Ne l'utilisez pas pour le ponçage à l'eau.

La ponceuse à bande peut être utilisée à la main et déplacée manuellement par l'opérateur sur la surface de l'élément à poncer. L'élément à poncer doit être fixé sur une plateforme solide et stable.

La ponceuse à bande peut être utilisée en mode inversé si elle est fixée à un établi à l'aide des accessoires fournis par le fabricant. En mode inversé, l'opérateur guide l'élément à poncer sur la bande de ponçage.

Ce produit est destiné à une utilisation privée.

Ne vous servez pas de ce produit pour d'autres utilisations que celles décrites au chapitre des utilisations prévues. L'utilisation détournée d'un outil électrique entraîne des situations dangereuses.

⚠ AVERTISSEMENT

La sciure en provenance de certaines peintures, vernis et matériaux est susceptible de provoquer des irritations ou des réactions allergiques au système respiratoire. La sciure de bois tels que le chêne, le hêtre, le médium et autres est cancérigène. Les matériaux contenant de l'amiante ne doivent être travaillés ou traités que par du personnel spécialisé.

⚠ AVERTISSEMENT

Lisez attentivement l'ensemble des avertissements, instructions et spécifications fournis avec cet outil, et reportez-vous aux illustrations. Le non-respect des instructions présentées ci-après peut entraîner des accidents tels que des incendies, des décharges électriques et/ou des blessures corporelles graves.

Conservez tous les avertissements ainsi que le mode d'emploi pour vous-y reporter dans le futur.

AVERTISSEMENTS GÉNÉRAUX DE SÉCURITÉ CONCERNANT L'ÉTABLI

⚠ AVERTISSEMENT

Lisez attentivement l'ensemble des avertissements, instructions et spécifications fournis avec cet outil, et reportez-vous aux illustrations. Le non respect des avertissements et du mode d'emploi peut entraîner un choc électrique, un incendie et/ou de graves blessures.

- **Conserver tous les avertissements et toutes les instructions pour pouvoir s'y reporter ultérieurement.**
- Le terme «outil» dans les avertissements fait référence à votre outil électrique alimenté par le secteur (avec cordon d'alimentation) ou votre outil fonctionnant sur batterie (sans cordon d'alimentation).
- **Débranchez l'appareil et/ou retirez le bloc batterie de l'outil électrique avant de réaliser tout réglage ou de changer les accessoires.** Un démarrage accidentel de l'outil électrique peut causer des accidents.
- **Assemblez correctement l'établi avant de monter l'outil.** Un assemblage correct est important pour empêcher le risque d'effondrement.
- **Fixez solidement l'outil électrique à l'établi avant toute utilisation.** Le déplacement de l'outil électrique sur l'établi peut entraîner une perte de contrôle.
- **Placez l'établi sur une surface solide, plane et horizontale.** Lorsque que l'établi peut bouger ou basculer, l'outil de travail ou la pièce à usiner ne peut pas être contrôlée de manière sûre et constante.
- **Ne surchargez pas l'établi ou n'utilisez pas d'échelle ni d'échafaudage.** Surcharger ou se tenir debout sur l'établi peut le déséquilibrer (en raison d'un poids trop lourd) et provoquer un basculement.

AVERTISSEMENTS DE SÉCURITÉ RELATIFS À LA PONCEUSE À BANDE

- **Tenez l'outil électrique par ses surfaces de préhension isolées, car la surface de ponçage peut toucher son propre câble.** La coupe d'un câble « sous tension » pourrait véhiculer cette tension électrique vers les parties métalliques de l'outil et exposer l'opérateur à une décharge électrique.

AVERTISSEMENTS DE SÉCURITÉ ADDITIONNELS

- **Sécurisez la pièce à usiner à l'aide d'un dispositif de serrage.** Une pièce à usiner peut être la cause de blessures graves et de dommages. Ne tenez pas à la main le matériau à poncer.
- **N'utilisez pas une bande abrasive plus large que nécessaire.**
- **Portez toujours des lunettes de sécurité et un masque anti-poussières.**
- **Vous devez porter un masque anti-poussière adéquat lorsque vous poncez des surfaces recouvertes de peinture à base de plomb ainsi que certains bois et métaux pour éviter d'inhaler de la**

poussière ou des vapeurs toxiques.

RISQUES RÉSIDUELS

Même lorsque le produit est utilisé selon les prescriptions, il reste impossible d'éliminer totalement certains facteurs de risque résiduels. Les dangers suivants risquent de se présenter en cours d'utilisation et l'utilisateur doit prêter particulièrement garde aux points suivants :

- Coincement ou entrée en contact avec la bande de ponçage en mouvement
 - Lors du fonctionnement inversé, des précautions supplémentaires doivent être prises pour éviter que les doigts et les mains de l'utilisateur ne viennent en contact avec la bande abrasive ou ne se coincent dans les galets. Utilisez le guide accessoire chaque fois que possible pour aider à contrôler l'élément à poncer et pour éviter tout coincement dans les rouleaux en mouvement.
- Blessures dues à la poussière
 - Le produit génère des quantités considérables de poussière et de particules fines lors de son utilisation. Utilisez le dispositif de collecte des poussières ou raccordez un aspirateur d'extraction des poussières lorsque vous utilisez le produit. Portez un masque antipoussières équipé de filtres adaptés au matériau sur lequel vous travaillez. Assurez une ventilation correcte à l'espace de travail. Ne mangez pas, ne buvez pas et ne fumez pas fumez pas dans l'espace de travail. Utilisez uniquement sur des matériaux spécifiés dans la section Utilisation prévue. N'opérez pas sur des matériaux (par ex. l'amiante) qui présentent un risque pour la santé.
- Risque d'explosion
 - La poussière fine accumulée est susceptible de s'enflammer et de provoquer un incendie. Gardez l'espace de travail propre et exempt de poussières. Les systèmes d'aspiration et de collecte de poussières doivent être régulièrement nettoyés soigneusement. Des étincelles chaudes sont susceptibles d'être produites lorsque vous poncez du métal.
- Électrocution
 - Tenez les cordons d'alimentation et les rallonges éloignés de la plage de travail du produit et des autres surfaces conductrices.
- Bruit et vibrations
 - Portez une protection oculaire lorsque vous utilisez le produit. N'utilisez pas le produit de façon prolongée.

RÉDUCTION DES RISQUES

Il a été reporté que les vibrations engendrées par les outils à main peuvent contribuer à l'apparition d'un état appelé le Syndrome de Raynaud chez certaines personnes. Les symptômes peuvent comprendre des fourmillements, un engourdissement et un blanchiment des doigts, généralement par temps froid. Des facteurs héréditaires, l'exposition au froid et à l'humidité, le régime alimentaire, le tabagisme et les habitudes de travail peuvent contribuer

au développement de ces symptômes. Certaines mesures peuvent être prises par l'utilisateur pour aider à réduire les effets des vibrations:

- Gardez votre corps au chaud par temps froid. Lorsque vous utilisez l'appareil, portez des gants afin de garder vos mains et vos poignets au chaud. Le temps froid est considéré comme un facteur contribuant très largement à l'apparition du Syndrome de Raynaud.
- Après chaque session de travail, pratiquez des exercices qui favorisent la circulation sanguine.
- Faites des pauses fréquentes. Limitez la quantité d'exposition journalière.

Si vous ressentez l'un des symptômes associés à ce syndrome, arrêtez immédiatement le travail et consultez votre médecin pour lui en faire part.

APPRENEZ À CONNAÎTRE VOTRE PRODUIT

Voir la page 109.

1. Cadran de vitesse (EBS800V)
2. Poignée avant, surface de préhension isolée
3. Bouton d'ajustement de la poignée avant
4. Bouton d'ajustement de la courroie de ponçage
5. Bouton de verrouillage
6. Poignée principale, surface de préhension isolée
7. Couverture du compartiment à poussière
8. Compartiment à poussière
9. Serre-joint (EBS800V)
10. Gâchette
11. Levier de libération de la courroie de ponçage
12. Butée de banc de ponçage (EBS800V)
13. Bande abrasive
14. Cadre de ponçage (EBS800V)
15. Bouton d'ajustement du cadre de ponçage (EBS800V)

UTILISATION

- N'utilisez pas le produit sans bande correctement mise en place et alignée. Une bande de ponçage mal alignée est susceptible de s'échapper du produit et de provoquer des blessures et des dommages à la ponceuse.
- Fixez l'élément à poncer sur un établi à l'aide d'un étai ou d'un serre-joints. Ceci permet d'éviter que l'élément à poncer ne se transforme en projectile.
- Utilisez les poignées fournies pour maintenir et contrôler le produit des deux mains.
- Ne faites pas forcer l'outil. Utilisez un produit adapté au travail à effectuer. Un produit adapté utilisé dans les limites de ses capacités effectuera un meilleur travail dans de meilleures conditions de sécurité.
- N'appliquez pas de pression excessive sur le produit. Laissez le poids du produit exercer la pression correcte et utilisez vos mains pour guider la ponceuse. Une pression excessive surchargera le produit et endommagera le moteur. Le fait d'appliquer une plus forte pression n'enlèvera pas plus de matière et réduira l'efficacité du ponçage, au contraire.
- Changez souvent la bande de ponçage pour garder au produit son efficacité pour l'enlèvement de matière.
- Démarrez le produit à l'aide de la gâchette interrupteur



et laissez la bande atteindre une vitesse correcte. Abaissez ensuite la bande sur l'élément à poncer. Maintenez fermement le produit des deux mains car le mouvement de la bande entraînera le produit vers l'avant.

- Choisissez une bande de la bonne taille et à la granulométrie adaptée au travail à effectuer. Utilisez un grain grossier pour enlever plus de matière ; les grains plus fins retirent moins de matière mais procurent une meilleure finition. Remplacez la bande si elle devient endommagée, usée, ou encrassée.
- Il est normal de poncer et d'effectuer des mouvements d'avant en arrière dans le sens du grain du matériau. Un ponçage en travers du grain du matériau est possible mais le résultat sera une surface rayée et endommagée.

⚠ AVERTISSEMENT

La sciure en provenance de certaines peintures, vernis et matériaux est susceptible de provoquer des irritations ou des réactions allergiques au système respiratoire. La sciure de bois tels que le chêne, le hêtre, le médium et autres est cancérigène. Les matériaux contenant de l'amiante ne doivent être travaillés ou traités que par du personnel spécialisé.

- Utilisez le système de collecte des poussières ou reliez le conduit d'évacuation à un système d'aspiration pour réduire les risques associés aux particules de poussière.
- Toutes les personnes présentes dans l'espace de travail ou à proximité doivent porter un masque antipoussières offrant une protection adéquate.
- Portez toujours des lunettes de sécurité ou des lunettes de protection équipées de volets latéraux lorsque vous coupez des matériaux.
- Utilisez le cadre de ponçage et les accessoires de guidage lorsque vous utilisez le produit en mode inversé. L'utilisation des accessoires aide à contrôler la position de la pièce à poncer et évite l'entrée en contact accidentelle avec la bande et les rouleaux en mouvement.
- Lorsque le produit est utilisé en mode inversé, il doit être solidement fixé sur un établi adapté à l'aide des brides fournies. Reportez-vous aux instructions graphiques plus loin dans ce manuel.

⚠ AVERTISSEMENT

L'utilisation prolongée d'un outil est susceptible de provoquer ou d'aggraver des blessures. Assurez-vous de faire des pauses de façon régulière lorsque vous utilisez tout outil de façon prolongée.

ENTRETIEN

⚠ AVERTISSEMENT

Le produit ne doit jamais être branché à une source de courant lorsque vous y montez des pièces, lorsque vous effectuez des réglages, lorsque vous le nettoyez, lorsque vous l'entretenez, ou lorsque vous ne l'utilisez pas. Déconnecter le produit de l'alimentation électrique empêche les démarrages accidentels qui peuvent causer des blessures graves.

⚠ AVERTISSEMENT

N'effectuez l'entretien qu'à l'aide de pièces détachées et d'accessoires d'origine constructeur. L'utilisation de toute autre pièce est susceptible de présenter un danger ou d'endommager votre outil.

⚠ AVERTISSEMENT

Ne laissez jamais du liquide de frein, de l'essence, des produits pétroliers, des huiles pénétrantes, etc. entrer en contact avec les éléments en plastique. Les produits chimiques peuvent endommager, affaiblir ou détruire les plastiques, ce qui pourrait entraîner de graves blessures.

Évitez d'utiliser des solvants pour nettoyer les parties en plastique. La plupart des plastiques sont susceptibles d'être endommagés par les solvants disponibles dans le commerce. Utilisez un chiffon propre pour essuyer les impuretés, la poussière, etc.

Les outils électriques utilisés sur des matériaux en fibre de verre, des plaques de plâtre, des panneaux de revêtement, ou du plâtre ont tendance à s'user plus rapidement et à présenter des défaillances prématurées car les poussières en provenance de ces matériaux sont très abrasifs pour les roulements, les charbons, les interrupteurs, etc. Nous ne recommandons pas l'utilisation du produit pendant de longues périodes de temps avec ce genre de matériau.

Après chaque utilisation, retirez la bande et le système de collecte des poussières s'il est en place. Nettoyez le collecteur de poussières comme illustré dans ce manuel. Nettoyez soigneusement le produit à l'aide d'un pinceau, d'un chiffon sec et d'un aspirateur.

⚠ AVERTISSEMENT

N'utilisez pas d'air comprimé pour retirer la poussière du produit afin d'éviter de vous blesser gravement les yeux.

⚠ AVERTISSEMENT

Au cas où le câble d'alimentation serait endommagé, remplacez-le par un câble spécial disponible auprès du fabricant ou de l'un de ses agents agréés. Contactez un service après-vente agréé.

Pour plus de sécurité et de fiabilité, toutes les réparations doivent être effectuées par un centre de service agréé.



Tous les roulements de cette machine sont suffisamment lubrifiés avec de l'huile de haute qualité pour toute la durée de vie de la machine sous des conditions d'utilisation normales. Par conséquent, aucune lubrification supplémentaire n'est nécessaire.

PROTECTION DE L'ENVIRONNEMENT



Recyclez les matières premières au lieu de les jeter avec les ordures ménagères. Pour protéger l'environnement, l'outil, les accessoires et les emballages doivent être triés.

SYMBOLE



Alerte de Sécurité

V Volts

Hz Hertz

~ Courant alternatif

W Watts

n_0 Vitesse à vide

min^{-1} Nombre de tours ou de mouvements par minute



Conformité CE



Marque de qualité EurAsian



Marque de conformité ukrainienne



Classe II, isolation double



Veuillez lire attentivement les instructions avant de mettre l'appareil en marche.



Portez une protection auditive



Portez une protection oculaire



Les produits électriques hors d'usage ne doivent pas être jetés avec les ordures ménagères. Recyclez-les par l'intermédiaire des structures disponibles. Contactez les autorités locales pour vous renseigner sur les conditions de recyclage.

ICÔNES DE CE MANUEL



Remarque



Brancher au secteur.



Débrancher du secteur.



Verrouillage



Déverrouillage



Vitesse, minimum



Vitesse, maximum

Les symboles suivants, et les noms qui leur sont associés, permettent d'expliquer les différents niveaux de risques liés à l'utilisation de cet outil.

DANGER

Imminence d'un danger qui, si l'on n'y prend garde, peut entraîner la mort ou de graves blessures.

AVERTISSEMENT

Situation potentiellement dangereuse qui, si l'on n'y prend garde, peut entraîner la mort ou des blessures graves.

ATTENTION

Situation potentiellement dangereuse qui, si l'on n'y prend garde, peut entraîner des blessures moyennes ou légères.

ATTENTION

(Sans symbole de sécurité) Indique une situation pouvant provoquer des dommages matériels.

Sicherheit, Leistung und Zuverlässigkeit hatten oberste Priorität bei der Entwicklung Ihres Bandschleifers.

BESTIMMUNGSGEMÄSSE VERWENDUNG

Der Bandschleifer ist ausschließlich zur Nutzung durch Erwachsene konzipiert, die die Anleitung und die Sicherheitshinweise in diesem Handbuch gelesen und verstanden haben und als für ihre Handlungen verantwortlich betrachtet werden können.

Das Gerät ist zum Schleifen von Metall, Holz, Kunststoff oder ähnlichen Materialien bestimmt. Er kann auch Farbe, Lack und Korrosion von Oberflächen entfernen. Das Produkt sollte in einem gut belüfteten Bereich benutzt werden.

Dieses Produkt ist ausschließlich zum Trockenschleifen bestimmt. Verwenden Sie das Produkt nicht zum Nassschleifen.

Der Bandschleifer kann im Handbetrieb benutzt werden und manuell von dem Benutzer über die Fläche des zu schleifenden Werkstücks bewegt werden. Das Werkstück sollte an einer festen und stabilen Plattform befestigt sein.

Der Bandschleifer kann umgedreht benutzt werden, wenn er an einer Werkbank mit dem vom Hersteller mitgelieferten Zubehör befestigt ist. Im umgedrehten Modus führt der Benutzer das zu schleifende Werkstück über das Schleifband.

Das Gerät ist ausschließlich zur privaten Nutzung geeignet. Benutzen Sie das Produkt nicht für andere Aufgaben, als die genannten bestimmungsgemäßen Verwendungen. Der Einsatz des Werkzeugs für Arbeiten, für die es nicht vorgesehen ist, kann zu gefährlichen Situationen führen.

⚠️ WARNUNG

Staub von bestimmten Farben, Beschichtungen und Materialien können Irritationen oder allergische Reaktionen der Atemwege verursachen. Staub von Holz wie Eiche, Buche, Faserstoffplatten und anderen ist krebserregend. Asbesthaltige Materialien dürfen nur von qualifizierten Spezialisten bearbeitet oder verarbeitet werden.

⚠️ WARNUNG

Lesen Sie aufmerksam alle mit diesem Werkzeug gelieferten Warnungen, Anweisungen und Spezifikationen, beziehen Sie sich auf die Illustrationen. Die Nichtbeachtung der weiter unten aufgeführten Anweisungen kann Unfälle wie Brände, Elektroschocks und/oder schwere Körperverletzungen zur Folge haben.

Bewahren Sie alle Warnhinweise und Anleitungen zum späteren Nachschlagen auf.

ALLGEMEINE SICHERHEITSHINWEISE ZUM ARBEITSGESTELL

⚠️ WARNUNG

Lesen Sie aufmerksam alle mit diesem Werkzeug gelieferten Warnungen, Anweisungen und Spezifikationen, beziehen Sie sich auf die Illustrationen. Die Nichtbeachtung der Sicherheitshinweise und der Anweisungen kann zu Stromschlag, Feuer und/oder schweren Verletzungen führen.

- **Bewahren Sie alle Sicherheitshinweise und Anweisungen für die Zukunft auf.**
- Der in den Sicherheitshinweisen verwendete Begriff „Elektrowerkzeug“ bezieht sich auf netzbetriebene Elektrowerkzeuge (mit Netzkabel) und auf akkubetriebene Elektrowerkzeuge (ohne Netzkabel).
- **Entfernen Sie den Stecker aus der Stromquelle und/oder den Akku aus dem Gerät, bevor Sie Einstellungen vornehmen oder Zubehörteile wechseln.** Versehentliches Starten des Werkzeugs ist die Ursache für einige Unfälle.
- **Bringen Sie das Arbeitsgestell fest, an bevor Sie das Werkzeug montieren.** Die richtige Montage ist wichtig, um Zusammenbruch des Gestells zu verhindern.
- **Befestigen Sie das Werkzeug sicher am Arbeitsgestell vor dem Gebrauch.** Sollte sich das Werkzeug verschieben können, kann zum Verlust das Kontrolle führen.
- **Setzen Sie das Arbeitsgestell auf eine feste, flache und ebene Oberfläche.** Wenn das Arbeitsgestell sich verschieben lässt oder wackelt, kann das Werkzeug oder das Werkstück nicht durchgängig und sicher gesteuert werden.
- **Überlasten Sie das Arbeitsgestell nicht oder verwenden es als Leiter oder Gerüst.** Eine Überlastung oder Stehen auf dem Arbeitsgestell kann zum Umkippen führen.

BANDSCHLEIFER SICHERHEITSWARNUNGEN

- **Halten Sie das Elektrowerkzeug an den isolierten Griffflächen, da die Schleiffläche die eigene Anschlussleitung treffen kann.** Das Beschädigen einer spannungsführenden Leitung kann metallene Geräteteile unter Spannung setzen und zu einem elektrischen Schlag führen.

ZUSÄTZLICHE SICHERHEITSWARNUNGEN

- **Sichern Sie Ihr Werkstück mit einer Spannvorrichtung.** Ungesicherte Werkstücke können schwere Verletzungen und Schäden verursachen. Halten Sie das zu schleifende Material nicht mit der Hand.
- **Benutzen Sie kein größeres Schleifband als erforderlich.**
- **Tragen Sie immer eine Sicherheitsbrille und Staubmaske.**
- **Tragen Sie eine geeignete Staubschutzmaske, wenn Sie Flächen schleifen, die mit einer bleihaltigen Farbe lackiert sind, sowie beim Schleifen bestimmter Holzarten und Metalle, um zu vermeiden, dass Sie giftige Staube oder Dämpfe einatmen.**

EN
FR
DE
ES
IT
NL
PT
DA
SV
FI
NO
RU
PL
CS
HU
RO
LV
LT
ET
HR
SL
SK
BG
UK
TR
EL

RESTRISIKEN

Sogar wenn das Produkt wie vorgeschrieben benutzt wird, ist es unmöglich ein gewisses Restrisiko vollständig auszuschließen. Die folgenden Gefahren können bei der Benutzung entstehen, und der Benutzer sollte besonders auf folgende Punkte achten:

- Einklemmen oder Kontakt mit dem bewegten Band
 - Vor allem während der inversen Nutzung ist zusätzliche Vorsicht geboten, um zu verhindern, dass die Finger und Hände des Bedieners mit dem Schleifband in Berührung kommen oder von den Rollen erfasst werden. Benutzen Sie den Anschlag wann immer möglich, um bei der Kontrolle des Werkstücks zu helfen und Einklemmen zwischen den Rollen zu verhindern.
- Durch Staub verursachte Verletzungen.
 - Die Benutzung des Produktes verursacht erhebliche Mengen von Staub und feinen Partikeln. Verwenden Sie die Staubauffangeinrichtung oder schließen eine Staubsaugung an, wenn Sie das Produkt bedienen. Tragen Sie eine für das zu bearbeitende Material geeignete Staubmaske mit Filter. Sorgen Sie für ausreichende Belüftung des Arbeitsbereichs. Essen, trinken oder rauchen Sie nicht in dem Arbeitsbereich. Arbeiten Sie nur an Materialien, die im Abschnitt der vorgesehenen Nutzung angegeben wurden. Es dürfen keine Materialien bearbeitet werden, von denen eine Gesundheitsgefährdung ausgeht (z.B. Asbest).
- Explosionsgefahr
 - Die Ansammlung von feinem Staub kann sich entzünden und ein Feuer verursachen. Halten Sie den Arbeitsbereich sauber und frei von Staub. Systeme zur Staubsammlung und Absaugung sollten regelmäßig und gründlich gereinigt werden. Beim Schleifen von Metall können heiße Funken entstehen.
- Stromschlag
 - Halten Sie das Stromkabel und das Verlängerungskabel vom Arbeitsbereich des Geräts und anderen leitenden Oberflächen fern.
- Lärm und Vibration
 - Tragen Sie einen Gehörschutz, wenn Sie das Produkt benutzen. Benutzen Sie das Produkt nicht über lange Zeiträume.

RISIKOVERRINGERUNG

Vibrationen von in der Hand gehaltenen Werkzeugen können bei einigen Personen zu einem Zustand, der Raynaud-Syndrom genannt wird, führen. Symptome sind u.a. Kribbeln, Taubheitsgefühl und episodische Weißfärbung der Finger und treten normalerweise bei Kälte auf. Man geht davon aus, dass ererbte Faktoren, Kälte und Feuchtigkeit, Essgewohnheiten, Rauchen und Arbeitsweise zur Entwicklung dieser Symptome beitragen. Der Anwender kann Maßnahmen ergreifen, um die Auswirkungen der Vibrationen möglicherweise zu verringern:

- Halten Sie den Körper bei Kälte warm. Tragen Sie beim Betrieb des Geräts Handschuhe, um Hände und Handgelenke warm zu halten. Berichten zu Folge ist kaltes Wetter ein wesentlicher Faktor, der zum Raynaud Syndrom beiträgt.
- Betätigen Sie sich nach jedem Einsatz körperlich, um den Blutkreislauf zu steigern.
- Machen Sie regelmäßig Pausen. Beschränken Sie die

Beanspruchung pro Tag.

Sollten bei Ihnen eines der zuvor beschriebenen Symptome / Zustände auftreten, stellen Sie unverzüglich den Betrieb ein und suchen Sie bezüglich der Symptome einen Arzt auf.

MACHEN SIE SICH MIT IHREM PRODUKT VERTRAUT

Siehe Seite 109.

1. Geschwindigkeitsregelung (EBS800V)
2. Frontgriff, isolierte Grifffläche
3. Einstellknopf vorderer Handgriff
4. Einstellknopf Schleifband
5. Arretierknopf
6. Hauptgriff, isolierte Grifffläche
7. Deckel Staubauffangbox
8. Staubauffangbox
9. Klemme (EBS800V)
10. Ein-/ Ausschalter
11. Hebel zum Lösen / Entspannen des Schleifbandes
12. Schleifanschlag (EBS800V)
13. Schleifband
14. Schleifrahmen (EBS800V)
15. Schleifrahmen Einstellknopf (EBS800V)

BETRIEB

- Benutzen Sie das Produkt nicht ohne einen ordentlich ausgerichtetes oder befestigtes Band. Ein falsch ausgerichtetes Band kann sich von dem Produkt lösen und Verletzungen oder Schäden an der Schleifmaschine verursachen.
- Sichern Sie Ihr Werkstück mit einer Spannvorrichtung an einer geeigneten Werkbank. Das hilft zu verhindern, dass das Werkstück sich löst und weggeschleudert wird.
- Benutzen Sie die mitgelieferten Griffe, um das Produkt mit beiden Händen zu halten und zu kontrollieren.
- Betätigen Sie das Werkzeug nicht mit Gewalt. Verwenden Sie das richtige Produkt für Ihre Anwendung. Das richtige Produkt erledigt die Arbeit besser und sicherer mit der Geschwindigkeit für die es ausgelegt wurde.
- Üben Sie keinen zu starken Druck auf das Produkt aus. Lassen Sie das Gewicht des Produktes den richtigen Druck ausüben und benutzen Ihre Hände, um die Schleifmaschine zu führen. Übermäßiger Druck wird das Produkt überlasten und den Motor beschädigen. Wenn mehr Druck ausgeübt wird, wird nicht mehr Material abgetragen und stattdessen der Schleifvorgang weniger effizient.
- Wechseln Sie das Schleifband oft, um die Fähigkeit des Produktes Material effizient abzutragen zu erhalten.
- Starten Sie das Produkt mit dem Ein-/Ausschalter und lassen Sie das Band die richtige Geschwindigkeit erreichen. Senken Sie dann das Band auf das Werkstück. Halten Sie das Produkt mit beiden Händen fest, weil die Bewegung des Bandes das Produkt nach vorne bewegt.
- Wählen Sie ein Band mit der richtigen Größe und Körnung für die Aufgabe. Benutzen Sie ein Band mit niedriger Körnungszahl, um mehr Material abzutragen; eine höhere Körnungszahl, um weniger Material für eine glatte Oberfläche abzutragen. Wechseln Sie das Band, wenn es beschädigt, mit Ablagerungen verschmiert oder abgenutzt ist.
- Es ist normal zu schleifen und das Produkt entlang

der Maserung des Materials hin und her zu bewegen. Schleifen gegen die Maserung funktioniert, aber das Ergebnis ist eine verkratzte und beschädigte Oberfläche.

WARNUNG

Staub von bestimmten Farben, Beschichtungen und Materialien können Irritationen oder allergische Reaktionen der Atemwege verursachen. Staub von Holz wie Eiche, Buche, Faserstoffplatten und anderen ist krebserregend. Asbesthaltige Materialien dürfen nur von qualifizierten Spezialisten bearbeitet oder verarbeitet werden.

- Verwenden Sie die Staubauffangeinrichtung oder schließen eine Staubabsaugung, um die Gefahr durch Staubpartikel zu reduzieren.
- Alle Personen innerhalb oder in der Nähe des Arbeitsbereichs sollten Staubmasken mit ausreichender Schutzwirkung tragen.
- Tragen Sie bei der Verwendung von Werkzeugen immer eine Schutzbrille mit Seitenschutz.
- Verwenden Sie den Schleifrahmen und den Anschlag, wenn Sie das Produkt in dem umgedrehten Modus benutzen. Der Einsatz von Anbauteilen hilft die Position des Werkstücks zu kontrollieren und versehentlichen Kontakt mit dem bewegten Band und den Rollen zu verhindern.
- Wenn Sie das Produkt umgedreht benutzen, muss es mit den mitgelieferten Zubehörklemmen ausreichend sicher an einer geeigneten Werkbank befestigt sein. Siehe die Abbildung unten in dieser Bedienungsanleitung.

WARNUNG

Verletzungen können durch lange Benutzung eines Werkzeugs entstehen oder verschlimmert werden. Machen Sie regelmäßig Pause, wenn Sie ein Werkzeug für lange Zeit benutzen.

WARTUNG UND PFLEGE

WARNUNG

Das Produkt darf niemals an das Stromnetz angeschlossen sein, wenn Sie Teile zusammenbauen, Einstellungen vornehmen, reinigen, Wartungsarbeiten durchführen, oder wenn das Produkt nicht benutzt wird. Das Trennen des Produkts von der Stromversorgung verhindert einen unbeabsichtigten Start, der zu schweren Verletzungen führen kann.

WARNUNG

Verwenden Sie zur Wartung ausschließlich original Ersatzteile, Zubehör und Aufsätze des Herstellers. Der Einsatz von anderen Teilen kann eine Gefahr verursachen oder das Produkt beschädigen.

WARNUNG

Lassen Sie niemals Bremsflüssigkeiten, Benzine, Produkte auf Erdölbasis, Rostlöser usw. mit den Plastikteilen in Kontakt geraten. Chemikalien können Plastik beschädigen, aufweichen oder zerstören, was zu schweren Verletzungen führen kann.

Vermeiden Sie beim Reinigen der Plastikteile den Einsatz von Lösungsmitteln. Die meisten Kunststoffe können durch im Handel erhältliche Lösungsmittel beschädigt werden. Verwenden Sie einen sauberen Lappen für die Reinigung von Verschmutzungen, Karbonstaub usw.

Elektrische Geräte, die zur Bearbeitung von Glasfasermaterial, Gipsplatten und Verkleidungsplatten verwendet werden, werden schneller abgenutzt und versagen möglicherweise vorzeitig, weil die Späne und Sägespäne dieser Materialien sehr angreifend für Lager, Bürsten, Kollektoren usw. sind. Wir empfehlen nicht das Produkt für längere Zeit mit diesen Materialien zu benutzen. Entfernen Sie das Band nach jedem Einsatz und, falls montiert, die Staubabsaugung. Reinigen die Staubabsaugung, wie in der Abbildung dieser Bedienungsanleitung gezeigt. Reinigen Sie das Produkt gründlich mit einer Bürste, trockenem Tuch oder Staubsauger.

WARNUNG

Benutzen Sie keine Druckluft, um Staub von dem Produkt zu blasen, um schwere Augenverletzungen zu verhindern.

WARNUNG

Falls das Stromkabel beschädigt sein sollte, muss es durch ein vom Hersteller oder seinem Kundendienst erhältliches spezielles Kabel bzw. Baugruppe ausgetauscht werden. Wenden Sie sich an den autorisierten Kundendienst.

Alle Reparaturen sollten zur besseren Sicherheit und Zuverlässigkeit von einem autorisierten Kundendienst durchgeführt werden.

Alle Lagerelemente in diesem Werkzeug sind mit genug qualitativ hochwertigem Schmiermittel für die gesamte Lebensdauer unter normalen Betriebsbedingungen geölt. Es ist daher keine zusätzliche Schmierung erforderlich.

UMWELTSCHUTZ



Recyceln Sie die Rohstoffe, anstatt sie im Haushaltsabfall zu entsorgen. Zum Schutz der Umwelt müssen das Gerät, die Zubehörteile und die Verpackungen getrennt entsorgt werden.

SYMBOL



Sicherheitswarnung



Volt

- Hz** Hertz
- \sim Wechselstrom
- W** Watt
- n_0 Leerlaufdrehzahl
- min⁻¹** Anzahl Umdrehungen oder Bewegungen pro Minute
-  CE-Konformität
-  EurAsian Konformitätszeichen
-  Ukrainisches Prüfzeichen
001
-  Elektrowerkzeug der Schutzklasse II
-  Bitte lesen Sie die Anweisungen sorgfältig durch, bevor Sie das Produkt einschalten.
-  Gehörschutz tragen
-  Augenschutz tragen
-  Elektrische Geräte sollten nicht mit dem übrigen Müll entsorgt werden. Bitte entsorgen Sie diese an den entsprechenden Entsorgungsstellen. Wenden Sie sich an die örtliche Behörde oder Ihren Händler, um Auskunft über die Entsorgung zu erhalten.

verschiedenen Risikostufen, die mit dem Produkt einhergehen, dargestellt.

 **GEFAHR**

Bezeichnet eine unmittelbare Gefahrensituation, die, falls nicht vermieden, zum Tode oder schweren Verletzungen führen kann.

 **WARNUNG**

Bezeichnet eine mögliche Gefahrensituation, die, falls nicht vermieden, zum Tode oder schweren Verletzungen führen kann.


 **ACHTUNG**

Bezeichnet eine mögliche Gefahrensituation, die, falls nicht vermieden, zu kleineren und mittleren Verletzungen führen kann.

ACHTUNG

(Ohne Warnsymbol) weist auf eine Situation hin, die zu Sachschaden führen kann.

SYMBOL IN DIESER BEDIENUNGSANLEITUNG

-  An das Stromnetz anschließen.
-  Von dem Stromnetz trennen.
-  Sperren
-  Öffnen
-  Minimum-Geschwindigkeit
-  Maximum-Geschwindigkeit
-  Bitte Beachten

Mit den folgenden Symbolen wird die Bedeutung der

Seguridad, desempeño y fiabilidad han sido las prioridades en el diseño de su lijadora de banda.

USO PREVISTO

La lijadora de banda está concebida para que la usen únicamente adultos que hayan leído y comprendido las instrucciones y advertencias de este manual, y que puedan considerarse responsables de sus acciones.

Este producto está diseñado para lijar metal, madera, plástico o materiales similares. También sirve para eliminar pintura, barniz y corrosión de las superficies. El producto solo debe utilizarse en áreas bien ventiladas.

El producto está diseñado solo para lijado en húmedo. No utilice el aparato para el lijado en húmedo.

La lijadora de banda puede utilizarse como herramienta portátil, de modo que el usuario la mueve manualmente sobre la superficie de la pieza de trabajo que desea lijar. La pieza de trabajo debe fijarse sobre una plataforma estable y resistente.

La lijadora de banda puede utilizarse en el modo inverso si se fija a un banco de trabajo utilizando los accesorios suministrados por el fabricante. Cuando se usa en el modo inverso, el operario guía la pieza de trabajo que desea lijar sobre la banda lijadora.

Este producto está diseñado exclusivamente para un uso personal.

Utilice el producto exclusivamente para el uso para el que fue diseñado. Utilizar la herramienta eléctrica para realizar trabajos diferentes a los que esta herramienta está destinada podría dar como resultado una situación peligrosa.

⚠ ADVERTENCIA

El polvo de ciertas pinturas, revestimientos y materiales puede causar irritación o reacciones alérgicas en el sistema respiratorio. El polvo de madera como el roble, la haya, el MDF y otros es cancerígeno. El material que contiene amianto sólo debe ser trabajado o procesado por operadores especialistas cualificados.

⚠ ADVERTENCIA

Lea atentamente todas las advertencias, instrucciones y especificaciones suministradas con la herramienta, y consulte las ilustraciones. El incumplimiento de las instrucciones que se indican a continuación puede ocasionar diversos accidentes como incendios, descargas eléctricas y/o graves heridas corporales.

Guarde todas estas advertencias e instrucciones para futuras referencias.

ADVERTENCIAS GENERALES DE SEGURIDAD DE LA PLATAFORMA DE TRABAJO

⚠ ADVERTENCIA

Lea todas las advertencias de seguridad laboral y todas las instrucciones proporcionadas para montar la plataforma de trabajo y la herramienta eléctrica. No seguir las advertencias e instrucciones correctamente puede provocar descargas eléctricas, incendios y/o daños graves.

- **Guarde todas estas advertencias e instrucciones para futuras referencias.**
- El término "herramienta eléctrica" que se emplea en las siguientes instrucciones de seguridad designa tanto las herramientas eléctricas que se conectan a la red de alimentación eléctrica como las herramientas sin cable.
- **Desconecte el enchufe de la fuente de alimentación y/o el paquete de baterías de la herramienta eléctrica antes de realizar ningún ajuste o cambiar los accesorios.** Activar de manera accidental la herramienta eléctrica puede provocar accidentes.
- **Monte adecuadamente la plataforma de trabajo antes de montar la herramienta.** Es importante que se monte adecuadamente para evitar el riesgo de que se desarme.
- **Sujete con seguridad la herramienta eléctrica a la plataforma de trabajo antes de su uso.** Mover la herramienta eléctrica en la plataforma de trabajo puede provocar que se pierda el control.
- **Coloque la plataforma de trabajo en una superficie nivelada, sólida y plana.** Si la plataforma de trabajo se puede mover o sacudir, la herramienta eléctrica o pieza de trabajo no está segura y firmemente controlada.
- **No sobrecargue la plataforma de trabajo ni la utilice como escalera o andamio.** Sobrecargar o subirse encima de la plataforma de trabajo provoca que la plataforma sea demasiado "pesada" y es probable que vuelque.

ADVERTENCIAS DE SEGURIDAD DE LA LIJADORA DE BANDA

- **Sujete la herramienta eléctrica exclusivamente por las superficies de agarre aisladas, ya que la superficie de lijado podría entrar en contacto con su propio cable.** Al cortar un cable con corriente, las piezas de metal de la herramienta conectada pueden quedar expuestas, lo que podría producir una descarga eléctrica al operario.

AVISOS DE SEGURIDAD ADICIONALES

- **Sujete la pieza de trabajo con un dispositivo de sujeción.** Las piezas de trabajo mal sujetas pueden causar daños y lesiones graves. No sujete el material que esté lijando con la mano.
- **No utilice una banda lijadora mayor de lo necesario**
- **Utilice siempre gafas de seguridad y una mascarilla.**
- **Debe utilizar una máscara facial con filtro cuando**

lije superficies cubiertas con pintura a base de plomo, al igual que cuando trabaje ciertas maderas o metales, para evitar la inhalación de polvo o de vapores tóxicos.

RIESGOS RESIDUALES

Incluso cuando se utiliza el producto según las instrucciones, sigue siendo imposible eliminar por completo ciertos factores de riesgo residuales. Pueden surgir los siguientes riesgos durante el uso y el operador debe prestar especial atención para evitar lo siguiente:

- quedar atrapado o contacto con la banda móvil
 - Se deben extremar las precauciones para evitar que los dedos y las manos del usuario entren en contacto con la correa abrasiva o queden atrapados en los rodillos, especialmente durante el funcionamiento en sentido inverso. Utilice un accesorio guía siempre que pueda para ayudarle a controlar la pieza de trabajo y evitar que quede atrapada en el rodillo móvil.
- Lesiones causadas por el polvo
 - El uso del producto producirá una cantidad considerable de polvo y partículas. Use el dispositivo de recogida de polvo o conecte un aspirador para extracción de polvo al utilizar el producto. Utilice mascarillas con filtros adecuados para los materiales con los que esté trabajando. Asegure una ventilación adecuada del lugar de trabajo. No comer, beber o fumar en el área de trabajo. Trabaje únicamente con los materiales especificados en el apartado Uso previsto. No utilizar sobre materiales que puedan suponer un riesgo para la salud (por ejemplo, amianto).
- riesgo de explosión
 - El polvo acumulado puede arder y provocar incendios. Mantenga la zona de trabajo limpia y libre de polvo. Los sistemas de recogida de polvo y extracción de humos deben limpiarse a fondo y con frecuencia. Al lijar metal, pueden producirse chispas.
- electrocución
 - Mantenga los cables de alimentación y los cables prolongadores alejados de la zona de trabajo del producto y de cualquier otra superficie conductora.
- ruido y vibración
 - Utilice protección ocular al utilizar el producto. No utilice el producto durante largos periodos de tiempo.

REDUCCIÓN DEL RIESGO

Se ha informado de que las vibraciones de las herramientas de mano puede contribuir a una condición llamada síndrome de Raynaud en ciertos individuos. Los síntomas pueden incluir hormigueo, entorpecimiento y decoloración de los dedos, generalmente aparentes cuando tiene lugar una exposición al frío. Se considera que los factores hereditarios, exposición al frío y a la humedad, dieta, tabaquismo y prácticas de trabajo contribuyen al desarrollo de estos síntomas. Existen medidas que pueden ser tomadas por el operador para reducir los efectos de

vibración:

- Mantenga su cuerpo caliente durante el tiempo frío. Al manipular la unidad, utilice guantes para mantener las manos y las muñecas calientes. Hay informes que indican que el tiempo frío es un gran factor que contribuye al síndrome de Raynaud.
- Después de cada período de funcionamiento, realice ejercicios para aumentar la circulación sanguínea.
- Haga pausas de trabajo frecuentes. Limite la cantidad de exposición por día.

Si siente alguno de los síntomas de esta enfermedad, interrumpa inmediatamente el uso y consulte a su médico estos síntomas.

CONOZCA SU PRODUCTO

Consulte la página 109.

1. Rueda de velocidad (EBS800V)
2. Asa delantera, superficie de agarre aislada
3. Botón de ajuste del manillar frontal
4. Perilla de ajuste de la banda lijadora
5. Botón de bloqueo
6. Asa principal, superficie de agarre aislada
7. Cubierta de la caja de polvo
8. Caja de polvo
9. Abrazadera (EBS800V)
10. Gatillo
11. Palanca de desbloqueo de la banda lijadora
12. Tope de lijadora de banco (EBS800V)
13. Lijadora de banda
14. Marco de lijado (EBS800V)
15. Perilla de ajuste del marco de lijado (EBS800V)

FUNCIONAMIENTO

- No active el producto si la banda no está adecuadamente encajada y ajustada. Una banda mal encajada puede salirse del producto y causar lesiones personales o daños a la lijadora.
- Sujete la pieza de trabajo con un torno o abrazadera a un banco de trabajo adecuado. Esto ayuda a evitar que la pieza de trabajo se lance.
- Use los mangos suministrados para sujetar y controlar el producto con ambas manos.
- No fuerce la herramienta. Use el producto adecuado para su aplicación. El producto adecuado funcionará mejor y de forma más segura en el ámbito para el que está diseñado.
- No ejerza demasiada presión sobre el producto. Deje que el peso del producto aplique la presión correcta y use las manos para guiar la lijadora. Una presión excesiva sobrecargará el producto y dañará el motor. Aplicar más presión no eliminará más material, sino que reducirá la eficacia del lijado.
- Cambie la banda de lijado con frecuencia para mantener la capacidad del producto de eliminar material de manera eficaz.
- Arranque el producto usando el interruptor y deje que la banda alcance la velocidad correcta. Luego, baje la banda hacia la pieza de trabajo. Debe sujetar firmemente el producto con ambas manos porque el

movimiento de la banda impulsará el producto hacia delante.

- Seleccione una banda del tamaño correcto y la resistencia adecuada para el trabajo. Use bandas con un número inferior para eliminar más material; los números superiores sirven para eliminar menos material y para acabados más finos. Cambie la banda si está dañada, obstruida por residuos o desgastada.
- Es normal lijar y mover el producto adelante y atrás en el sentido del grano del material. Lijar a través del grano funcionará pero los resultados serán una superficie raspada y dañada.

⚠ ADVERTENCIA

El polvo de ciertas pinturas, revestimientos y materiales puede causar irritación o reacciones alérgicas en el sistema respiratorio. El polvo de madera como el roble, la haya, el MDF y otros es cancerígeno. El material que contiene amianto sólo debe ser trabajado o procesado por operadores especialistas cualificados.

- Use el colector de polvo o conecte la abertura de salida a un aspirador para reducir los riesgos asociados a las partículas de polvo.
- Todas las personas situadas o cerca del área de trabajo deben utilizar mascarillas que ofrezcan una protección adecuada.
- Use siempre gafas de seguridad con protectores laterales cuando esté manipulando productos.
- Use el marco de lijado y los accesorios de sujeción al usar el producto en el modo inverso de funcionamiento. El uso de accesorios le ayuda a controlar la posición de la pieza de trabajo y evitar el contacto accidental con la banda móvil y los rodillos.
- En modo inverso, el producto debe fijarse correctamente a un banco de trabajo adecuado usando las abrazaderas suministradas. Consulte las instrucciones gráficas que aparecen más adelante en el manual.

⚠ ADVERTENCIA

El uso prolongado de la herramienta puede provocar o agravar lesiones. Al utilizar cualquier herramienta durante períodos prolongados asegúrese de tomar descansos regulares.

MANTENIMIENTO

⚠ ADVERTENCIA

El aparato nunca debe estar conectado a una fuente eléctrica mientras se estén montando las piezas, realizando ajustes, limpiando, llevando a cabo el mantenimiento o cuando no esté en uso. Desconectar el producto de la fuente de suministro evitará que se encienda de manera accidental, lo que podría provocar lesiones graves.

⚠ ADVERTENCIA

En el mantenimiento, utilice sólo piezas de repuesto y accesorios originales del fabricante. El uso de otras piezas puede ocasionar riesgos o daños en el producto.

⚠ ADVERTENCIA

No permita en ningún momento que las piezas de plástico entren en contacto con líquido de frenos, gasolina, productos derivados del petróleo, aceites penetrantes, etc. Los productos químicos pueden dañar, destruir o debilitar el plástico, lo que puede ocasionar graves daños personales.

Evite el uso de disolventes para limpiar las piezas de plástico. La mayor parte de los plásticos pueden resultar dañados con los disolventes que se venden en el mercado. Utilice un paño limpio para quitar las impurezas, el polvo, etc.

Las herramientas eléctricas utilizadas en material de fibra de vidrio, placas de yeso o paneles de revestimiento suelen desgastarse más rápidamente y tener fallos o averías prematuramente ya que la viruta y el serrín resultantes de la fibra de vidrio son muy abrasivos para los cojinetes, las escobillas, los interruptores, etc. No recomendamos utilizar el aparato durante largos períodos de tiempo en estos tipos de materiales.

Después de cada uso, retire la banda y el colector de polvo, en su caso. Limpie el colector de polvo tal como se indica en las imágenes. Limpie a fondo el producto con un cepillo, un paño seco y un aspirador.

⚠ ADVERTENCIA

No use aire comprimido para eliminar el polvo del producto a fin de evitar lesiones oculares graves.

⚠ ADVERTENCIA

Si el cable de suministro está dañado, deberá ser reemplazado por un cable especial u otra unidad disponible por el fabricante o el centro de servicio autorizado. Póngase en contacto con el centro de servicio autorizado.

Para una mayor seguridad y fiabilidad, todas las reparaciones deben ser realizadas por un centro de

servicio autorizado.

Todos los rodamientos de esta herramienta están lubricados con cantidad suficiente de lubricante de grado alto para toda la vida de la unidad en condiciones de funcionamiento normales. Por lo tanto, no es menester prever ninguna lubricación adicional.

PROTECCIÓN DEL MEDIO AMBIENTE



Recicle las materias primas en lugar de tirarlas a la basura doméstica. Para proteger el medio ambiente, debe separar la herramienta, los accesorios y los embalajes.

SÍMBOLO



Atención

V

Voltios

Hz

Hertzios

~

Corriente alterna

W

Vatios

n_0

Velocidad sin carga

min^{-1}

Número de revoluciones o movimientos por minuto



Conformidad con CE



Certificado EAC de conformidad



Marca de conformidad ucraniana



Clase II, doble aislamiento



Por favor, lea atentamente las instrucciones antes de encender el producto.



Utilice dispositivos de protección para los oídos



Utilice gafas de seguridad



Los productos eléctricos de desperdicio no deben desecharse con desperdicios caseros. Por favor recíclelos donde existan dichas instalaciones. Compruebe con su autoridad local o minorista para reciclar.

SÍMBOLOS EN ESTE MANUAL



Nota:



Conectarse a la red eléctrica.



Desconectar de la red eléctrica.



Bloquear



Desbloquear



Velocidad, mínimo



Velocidad, máxima

Los siguientes símbolos y palabras detallan los niveles de cuidado necesarios para usar este producto.

PELIGRO

Indica una situación inminente de peligro que, si no se evita, provocará la muerte o lesiones graves.

ADVERTENCIA

Indica una situación potencialmente peligrosa que, si no se evita, podría causar la muerte o lesiones graves.

PRECAUCIÓN

Indica una situación potencialmente peligrosa que, si no se evita, puede provocar lesiones leves o moderadas.

PRECAUCIÓN

(Sin símbolo de seguridad) Indica una situación que podría ocasionar daños materiales.

E' stata data massima priorità a sicurezza, prestazioni e affidabilità nel design di questa levigatrice a nastro.

UTILIZZO

La levigatrice a nastro deve essere utilizzata solo da persone adulte, che abbiano letto e compreso le istruzioni e le avvertenze contenute in questo manuale, e che siano responsabili delle proprie azioni.

Il prodotto è destinato alla levigatura di metallo, legno, plastica o materiali simili. L'utensile è adatto a rimuovere vernice, lucido e corrosione da superfici. Il prodotto deve essere utilizzato solo in zone ben ventilate.

Il prodotto è progettato solo per operazioni di levigatura a secco. Non utilizzare il prodotto per operazioni di levigatura ad umido.

La smerigliatrice a nastro può essere utilizzata in modalità manuale e spostata manualmente dall'operatore sulla superficie da levigare sulla quale si sta lavorando. Il pezzo sul quale si sta lavorando deve essere fissato a una piattaforma solida e stabile.

La smerigliatrice a nastro può essere messa in funzione in modalità al contrario se fissata a un tavolo di lavoro utilizzando gli accessori forniti dalla ditta produttrice. Quando si trova nella modalità al contrario, l'operatore guida il pezzo sul quale si sta lavorando e che deve essere levigato verso la cinghia di levigatura.

Il prodotto è destinato esclusivamente all'uso da parte del consumatore.

Non utilizzare il prodotto in modi diversi da quelli indicati. Utilizzare l'elettrotensile per operazioni diverse da quelle indicate potrà causare situazioni pericolose.

⚠ AVVERTENZE

La polvere di alcune vernici, rivestimenti e materiali potrà causare irritazioni o reazioni allergiche al sistema respiratorio. La polvere prodotta da legno come quercia, betulla, pannelli di fibra a media densità (MDF) e altri tipi di legname è cancerogena. Materiali contenenti amianto devono essere lavorati o manipolati solo da operatori specializzati qualificati.

⚠ AVVERTENZE

Leggere attentamente tutte le avvertenze, le istruzioni e le specifiche fornite con l'apparecchio e fare riferimento alle illustrazioni. La mancata osservanza delle istruzioni riportate di seguito potrebbe provocare incidenti quali incendi, scosse elettriche e/o gravi lesioni fisiche.

Conservare tutte le istruzioni e le avvertenze per eventuali riferimenti futuri.

AVVERTENZE GENERALI DI SICUREZZA DEL SUPPORTO DA LAVORO

⚠ AVVERTENZE

Leggere tutte le avvertenze di sicurezza e tutte le istruzioni fornite con il supporto da lavoro e l'elettrotensile da montare. La mancata osservanza delle avvertenze e delle istruzioni potrà causare scosse elettriche, incendi e/o gravi lesioni personali.

- **Conservare le presenti avvertenze ed istruzioni per poterle consultare in seguito.**
- Il termine "apparecchio elettrico" utilizzato nelle norme di sicurezza seguenti indica sia gli apparecchi elettrici da collegare alla rete di alimentazione sia gli apparecchi elettrici a batteria.
- **Scollegare la spina dalla presa di corrente e/o la batteria dall'elettrotensile prima di eseguire la regolazione o la sostituzione degli accessori.** L'avvio accidentale dell'elettrotensile può causare incidenti.
- **Montare correttamente il supporto da lavoro prima di montare l'utensile.** Il montaggio adeguato è importante per prevenire il cedimento.
- **Fissare saldamente l'utensile al supporto da lavoro prima dell'uso.** Lo spostamento dell'elettrotensile sul supporto da lavoro può causare perdita di controllo.
- **Posizionare il supporto da lavoro su una superficie piana ed orizzontale.** Quando il supporto da lavoro può spostarsi o muoversi, l'elettrotensile o il pezzo non può essere controllato in modo costante e sicuro.
- **Non sovraccaricare il supporto da lavoro né utilizzarlo come scala o impalcatura,** poiché potrebbe creare pressione eccessiva sul supporto e comportare il rischio di ribaltamento.

AVVERTENZE DI SICUREZZA LEVIGATRICE A CINGHIA

- **Tenere l'elettrotensile solo tramite le superfici antiscivolo isolate, perché la superficie di levigatura potrebbe entrare in contatto con dei fili elettrici nascosti.** Tagliare un cavo "vivo" potrebbe esporre le parti in metallo dell'utensile e causare all'operatore una scossa elettrica.

ULTERIORI AVVERTENZE DI SICUREZZA

- **Agganciare il pezzo sul quale si sta lavorando con un morsetto.** Pezzi non assicurati correttamente potranno causare gravi lesioni e danni. Non reggere il materiale sul quale si sta lavorando con le mani.
- **Non utilizzare nastri abrasivi più grandi di quelli indicati.**
- **Indossare sempre occhiali di protezione e una maschera per la polvere.**
- **Indossare una maschera antipolvere adeguata quando si levigano superfici ricoperte di pittura al piombo nonché alcuni tipi di legno o di metallo, al fine di non inalare polveri o vapori tossici.**

EN
FR
DE
ES
IT
NL
PT
DA
SV
FI
NO
RU
PL
CS
HU
RO
LV
LT
ET
HR
SL
SK
BG
UK
TR
EL

RISCHI RESIDUI

Anche quando il prodotto viene utilizzato come indicato, sarà ancora impossibile eliminare completamente alcuni fattori di rischio residuo. Si potranno verificare i seguenti rischi e l'operatore dovrà prestare particolare attenzione per evitare quanto segue:

- intrappolamento o contatto con la cinghia in movimento
 - Particolare attenzione va prestata durante il rovesciamento per impedire che le dita e le mani dell'operatore entrino in contatto con il nastro abrasivo o rimangano intrappolate nei rulli. Utilizzare l'accessorio schermo ove possibile per aiutare a controllare il pezzo sul quale si sta lavorando e prevenire eventuale intrappolamento nei rulli in movimento.
- Lesioni causate dalla polvere
 - Utilizzare il prodotto produrrà una considerevole quantità di polvere e piccole particelle. Utilizzare il dispositivo di raccolta o collegare un aspiratore per l'estrazione della polvere quando si mette in funzione il prodotto. Indossare maschere per la polvere con filtri adeguati ai materiali sui quali si sta lavorando. Assicurarsi una adeguata ventilazione del luogo di lavoro. Non mangiare, bere, né fumare nell'area di lavoro. Utilizzare solo sui materiali che sono specificati nella sezione dell'uso previsto. Non mettere in funzione su materiali (per esempio amianto) che rappresentano un rischio per la salute.
- rischio di esplosione
 - Polveri fini che si accumulano potranno accendersi e causare incendi. Tenere l'area di lavoro pulita e rimuovere dalla stessa la polvere. I sistemi di raccolta polvere ed estrazione e aspirazione devono essere regolarmente e attentamente puliti. Quando si levigano metalli, si potranno produrre scintille calde.
- elettrocuzione
 - Tenere i cavi di alimentazione e le prolunghe lontano dal campo di lavoro del prodotto e di altre superfici conduttive.
- rumore e vibrazioni
 - Indossare cuffie di protezione quando si mette in funzione il prodotto. Non mettere in funzione il prodotto per lunghi periodi di tempo.

RIDUZIONE DEL RISCHIO

Si è accertato che le vibrazioni causate da utensili a mano possono contribuire a causare una condizione chiamata Sindrome di Raynaud in alcune persone. I sintomi, comprendenti formicolio, intorpidimento e perdita di colore alle dita, si verificano di solito quando ci si espone al freddo. Fattori ereditari, esposizione a freddo e umidità, una dieta scorretta, fumo e condizioni di lavoro non sicure potranno contribuire allo sviluppo di questi sintomi. È possibile prendere delle precauzioni per ridurre le vibrazioni:

- Tenere il corpo al caldo a basse temperature. Quando si utilizza l'utensile, indossare guanti e tenere le mani e i polsi caldi. Le basse temperature contribuiscono a causare la Sindrome di Raynaud.

- Dopo aver utilizzato l'utensile per un certo periodo, fare degli esercizi per stimolare la circolazione del sangue.
- Fare spesso delle pause. Limitare la quantità di esposizione giornaliera.

Nel caso in cui si provino i sintomi di questa condizione, interrompere immediatamente l'utilizzo dell'utensile e consultare un dottore.

FAMILIARIZZARE CON IL PRODOTTO

Vedere a pagina 109.

1. Selezione rapida (EBS800V)
2. Impugnatura frontale con superficie isolata antiscivolo
3. Pulsante di regolazione manico frontale
4. Manopola di regolazione levigatrice a nastro
5. Tasto di blocco
6. Impugnatura principale con superficie isolata antiscivolo
7. Coperchio scatola raccolta polvere
8. Scatola raccolta polvere
9. Morsetto. (EBS800V)
10. Grilletto
11. Leva di rilascio levigatrice a nastro
12. Fermo banco di carteggiatura (EBS800V)
13. Nastro di levigatura
14. Struttura per sabbatura (EBS800V)
15. Manopola di regolazione struttura di sabbatura (EBS800V)

FUNZIONAMENTO

- Non mettere in funzione il prodotto senza una cinghia accuratamente inserita e montata. Una cinghia incorrettamente montata potrà fuoriuscire dal prodotto e causare lesioni personali o danni alla levigatrice.
- Assicurare il pezzo sul quale si sta lavorando con ganasce o morsetti a un tavolo di lavoro idoneo. Ciò aiuterà ad evitare che l'oggetto sul quale si sta lavorando diventi un proiettile.
- Utilizzare i manici forniti per reggere e controllare il prodotto con entrambe le mani.
- Non forzare l'utensile. Utilizzare il prodotto corretto per il lavoro da svolgere. Il prodotto corretto svolgerà il lavoro in modo migliore e in maniera più sicura se lo si utilizza alla potenza di utilizzo per la quale è stato progettato.
- Non applicare una pressione eccessiva sul prodotto. Lasciare che il peso del prodotto applichi la corretta pressione e utilizzare le mani per guidare la levigatrice. Una pressione eccessiva sovraccaricherà il prodotto e danneggerà il motore. Applicare ulteriore pressione non permetterà di rimuovere ulteriore materiale e ridurrà invece l'efficienza di levigatura.
- Cambiare la cinghia di levigatura spesso per mantenere la capacità del prodotto di rimuovere materiale in maniera efficace.
- Avviare il prodotto utilizzando l'interruttore a grilletto e permettendo alla cinghia di raggiungere la corretta velocità. Abbassare quindi la cinghia sul pezzo sul quale si sta lavorando. Reggere il prodotto con entrambe le mani dal momento che il movimento della cinghia guiderà il prodotto in avanti.
- Scegliere una cinghia delle dimensioni corrette e della

consistenza idonea al compito da svolgere. Utilizzare le cinghie con un numero di grana più basso per rimuovere ulteriore materiale; cinghie con un numero di grana più alto per rimuovere meno materiale e per una rifinitura più precisa. Sostituire la cinghia se si danneggia, si blocca a causa di detriti o si consuma.

- E' normale levigare e spostare il prodotto avanti e indietro seguendo il senso della fibra. Levigare seguendo il senso di fibra funzionerà ma risulterà in superfici graffiate e rovinate.

AVVERTENZE

La polvere di alcune vernici, rivestimenti e materiali potrà causare irritazioni o reazioni allergiche al sistema respiratorio. La polvere prodotta da legno come quercia, betulla, pannelli di fibra a media densità (MDF) e altri tipi di legname è cancerogena. Materiali contenenti amianto devono essere lavorati o manipolati solo da operatori specializzati qualificati.

- Utilizzare il collettore polvere o collegare la porta per la polvere a un dispositivo di aspirazione per ridurre i rischi associati con le particelle di polvere.
- Tutte le persone all'interno dell'area di lavoro o nelle sue vicinanze devono indossare una maschera per la polvere che offra una adeguata protezione.
- Indossare occhiali o visiere di sicurezza con schermi laterali quando si mette in funzione questo prodotto.
- Utilizzare la cornice di levigatura e gli accessori quando si utilizza il prodotto nella modalità al contrario. Utilizzare gli accessori aiuta a controllare la posizione del pezzo sul quale si sta lavorando e previene il contatto accidentale con la cinghia in movimento e i rulli.
- Quando si utilizza in modalità al contrario, il prodotto deve essere adeguatamente assicurato a un tavolo di lavoro idoneo utilizzando il morsetto fornito. Vedere i disegni inclusi nel presente manuale.

AVVERTENZE

L'utilizzo prolungato dell'utensile potrà causare o aggravare lesioni già esistenti. Quando si utilizza questo utensile per periodi di tempo prolungati, assicurarsi di fare sempre delle pause regolari.

MANUTENZIONE

AVVERTENZE

Questo prodotto non dovrà mai essere collegato all'alimentazione mentre si montano le sue parti, svolgono regolazioni, operazioni di pulizia e manutenzione o quando il prodotto non viene utilizzato. Scollegando il prodotto dall'alimentazione se ne previene l'avviamento accidentale che potrebbe causare lesioni gravi.

AVVERTENZE

Durante le operazioni di manutenzione, utilizzare solo le parti di ricambio, gli accessori e le parti di collegamento della ditta produttrice originale. Utilizzare parti di ricambio diverse potrebbe causare rischi o danneggiare il prodotto.

AVVERTENZE

Non lasciare che liquidi per freni, benzina, prodotti a base di petrolio, oli penetranti, ecc. entrino in contatto con le parti in plastica. Le sostanze chimiche potranno danneggiare, indebolire o distruggere la plastica, il che potrà risultare in gravi lesioni personali.

Evitare di utilizzare solventi quando si puliscono le parti in plastica. La maggior parte dei materiali plastici rischia di essere danneggiata dall'uso dei solventi disponibili in commercio. Utilizzare un panno pulito per rimuovere lo sporco, la polvere, ecc.

Gli apparecchi elettrici utilizzati su prodotti in fibra di vetro, lastre di gesso o pannelli di rivestimento tendono ad usurarsi più rapidamente e a presentare precoci problemi di funzionamento dal momento che trucioli e segatura prodotti da tali materiali risultano molto abrasivi nei confronti dei componenti di apparecchi elettrici quali gli ingranaggi, le spazzole, gli interruttori, ecc. Non raccomandiamo di utilizzare il prodotto per lunghi periodi di tempo su questi tipi di materiali.

Dopo ogni utilizzo, rimuovere la cinghia e il collettore polvere se inseriti. Pulire il collettore polvere come indicato nelle illustrazioni nel presente manuale. Pulire il prodotto attentamente con una spazzola, un panno asciutto e un aspirapolvere.

AVVERTENZE

Non utilizzare aria compressa per soffiare polvere dal prodotto e prevenire gravi lesioni agli occhi.

AVVERTENZE

Se il cavo dell'alimentazione viene danneggiato, dovrà essere sostituito da un cavo o un gruppo speciali disponibili presso la propria ditta produttrice o presso il proprio agente di servizio. Contattare il centro servizi autorizzato.

Per maggiore sicurezza e affidabilità, tutte le riparazioni dovranno essere svolte da un centro servizi autorizzato.

Tutti i cuscinetti di questo utensile sono stati lubrificati con una quantità sufficiente di lubrificante di alta qualità per garantire l'ottimo funzionamento dell'utensile. Di conseguenza, non è necessario effettuare alcuna lubrificazione supplementare.

TUTELA DELL'AMBIENTE



Riciclare le materie prime anziché gettarle tra i rifiuti domestici. Per tutelare l'ambiente, l'apparecchio, gli accessori e gli imballaggi devono essere smaltiti separatamente.

SIMBOLO



Allarme di sicurezza

V

Volt

Hz

Hertz

~

Corrente alternata

W

Watt

n_0

Velocità a vuoto

min⁻¹

Numero di giri o di movimenti al minuto



Conformità CE



Marchio di conformità EurAsian



Marchio di conformità ucraino



Classe II con doppio isolamento



Leggere attentamente le istruzioni prima di utilizzare il prodotto.



Indossare cuffie di protezione



Indossare occhiali di protezione



I prodotti elettrici non devono essere smaltiti con i rifiuti domestici. Vi sono strutture per smaltire tali prodotti. Informarsi presso il proprio Comune o rivenditore di sicurezza per smaltire adeguatamente tali rifiuti.

SIMBOLI NEL MANUALE



Note



Collegare all'alimentazione.



Scollegare dall'alimentazione.



Blocco



Sblocco



Velocità, minimo



Velocità, massima

I seguenti simboli indicano i livelli di rischio associati a questo prodotto.

PERICOLO

Indica una situazione immediatamente pericolosa che, se non evitata, potrà causare gravi lesioni o morte.

AVVERTENZE

Indica una situazione potenzialmente pericolosa che, se non evitata potrà causare gravi lesioni o morte.

ATTENZIONE

Indica una situazione potenzialmente pericolosa che, se non evitata, potrà causare lesioni minori o moderate.

ATTENZIONE

(Senza simbolo di allarme in materia di sicurezza) Indica una situazione che può provocare danni materiali.

Veiligheid, prestaties en betrouwbaarheid kregen topprioriteit in het ontwerp van uw bandschuurmachine.

BEOOGD GEBRUIK

De bandschuurmachine is alleen bedoeld voor gebruik door volwassenen die de instructies en waarschuwingen in deze handleiding hebben gelezen en begrepen, en die als verantwoordelijk voor hun daden kunnen worden beschouwd.

Het product is bedoeld voor het schuren van metaal, hout, plastic of vergelijkbaar materiaal. Hij kan ook worden gebruikt om verf, vernis en corrosie van oppervlakken te verwijderen. Het product mag uitsluitend in goed geventileerde ruimtes worden gebruikt.

Het product is uitsluitend ontworpen voor het droog afschuren. Gebruik het product niet voor natschuren.

De bandschuurmachine kan worden gebruikt in de handbediende modus en manueel door de gebruiker op het werkstuk worden bewogen om dit te schuren. Het werkstuk moet op een stevig, stabiel platform worden vastgemaakt.

De bandschuurmachine kan worden bediend in de omgekeerde modus wanneer deze aan een werkbank is gemonteerd met behulp van de accessoires die door de fabrikant worden meegeleverd. Wanneer de machine zich in de omgekeerde modus bevindt, geleid de bediener het werktuig dat moet worden geschuurd op de schuurband.

Het product is alleen bedoeld voor consumenten.

Gebruik het product niet voor andere doeleinden dan waarvoor het is bestemd. Het gebruik van het werktuig voor niet-voorgeschreven gebruik kan leiden tot gevaarlijke situaties.

⚠ WAARSCHUWING

Stof van bepaalde verven, coatings of materialen kunnen irritatie of allergische reacties aan de ademhalingswegen veroorzaken. Stof van hout, zoals eik, beuk, MDF en anderen zijn kankerverwekkend. Materiaal dat asbest bevat mag uitsluitend door een gekwalificeerde specialist worden bewerkt of verwerkt.

⚠ WAARSCHUWING

Lees aandachtig alle waarschuwingen, aanwijzingen en specificaties die bij deze machine worden meegeleverd en bestudeer de afbeeldingen. Als u onderstaande voorschriften niet opvolgt, kan dit leiden tot ongelukken zoals brand, elektrische schokken en/of ernstig lichamelijk letsel.

Bewaar alle waarschuwingen en instructies voor toekomstig gebruik.

ALGEMENE VEILIGHEIDSWAARSCHUWINGEN VOOR DE WERKSTEUN

⚠ WAARSCHUWING

Lees alle veiligheidswaarschuwingen en alle instructies die bij de werksteun en het te monteren elektrische gereedschap worden geleverd. Wanneer u deze en in instructies niet opvolgt, kan dit leiden tot electrocutie, brand en/of ernstige letstels.

- **Bewaar deze waarschuwingen en voorschriften zorgvuldig om ze ook later te kunnen inzien.**
- Met de term "elektrisch apparaat" in onderstaande veiligheidsvoorschriften worden alle type apparaten aangeduid, dus zowel apparaten met een netsnoer als apparaten met een accupak.
- **Haal de stekker uit de stroombron en/of de accu uit het gereedschap voordat u wijzigingen aanbrengt of accessoires verwisselt.** Sommige ongelukken worden veroorzaakt door het incidenteel starten van het elektrische gereedschap.
- **Monteer de werksteun op correcte wijze voordat u het gereedschap monteert.** Correcte montage is van belang om het risico op inklappen te voorkomen.
- **Bevestig het elektrische gereedschap vóór gebruik aan de werksteun.** Verschuiving van de werksteun kan leiden tot controleverlies.
- **Plaats de werksteun op een stevig, plat en vlak oppervlak.** Als de werksteun kan verschuiven of schommelen, kunnen het elektrische gereedschap of het werkstuk niet stabiel en veilig gecontroleerd worden.
- **De werksteun niet overbelasten of gebruiken als ladder of steiger.** Overbelasting of staan op de werksteun kan ervoor zorgen dat de steun "topzwaar" wordt en kan omvallen.

VEILIGHEIDSWAARSCHUWINGEN BANDSCHUURMACHINE

- **Houd het apparaat uitsluitend vast aan de handvatten omdat het schuuroppervlak anders in contact kan komen met het snoer.** Wanneer een spanningvoerende leiding wordt doorgeknipt, kunnen metalen delen van het gereedschap onder stroom komen te staan en de gebruiker derhalve een elektrische schok geven.

AANVULLENDE VEILIGHEIDSWAARSCHUWINGEN

- **Klem het werkstuk met een klem vast.** Werkstukken die niet zijn vastgeklemd kunnen ernstige letsels en schade veroorzaken. Houd het materiaal dat u schuurt niet met de hand vast.
- **Gebruik geen grotere schuurband dan noodzakelijk**
- **Draag altijd een veiligheidsbril en stofmasker.**
- **Draag een geschikt stofmasker tijdens het schuren van oppervlakken bedekt met verf op loodbasis en bij het schuren van bepaalde houtsoorten en metalen om te voorkomen dat u giftige stoffen of**

giftige dampen inademt.

RESTRISICO'S

Zelfs wanneer het product zoals voorgeschreven wordt gebruikt, blijft het onmogelijk om alle restrisico's te voorkomen. De volgende gevaren kunnen optreden bij gebruik en de gebruiker dient speciaal op te letten om het volgende te voorkomen:

- knellen of contact met de bewegende band
 - Vooral tijdens omgekeerde werkzaamheden is extra voorzichtigheid geboden om ervoor te zorgen dat de vingers en handen van de gebruiker niet in contact komen met het schuuroppervlak of gegrepen worden door de rollers. Gebruik het schermaccessoire waar mogelijk om het werkstuk te helpen beheersen en te voorkomen dat het in de bewegende roller gekneld raakt.
- Verwonding veroorzaakt door stof
 - Het gebruik van het product veroorzaakt grote hoeveelheden stof en fijne deeltjes. Gebruik de stofopvanginrichting of verbindt een stofzuiger aan de machine wanneer u het gebruikt. Draag stofmaskers met filters die geschikt zijn voor met materiaal waarin wordt gewerkt. Zorg voor voldoende ventilatie op de werkplaats. Eten, drinken of roken verboden in het werkgebied. Gebruik het apparaat alleen op materialen die staan aangegeven onder het kopje 'Beoogd gebruik'. Niet gebruiken op materialen (zoals asbest) die gevaarlijk zijn voor de gezondheid.
- ontploffingsgevaar
 - Opgestapeld fijn stof kan ontploffen en brand veroorzaken. Houd het werkbereik schoon en stofvrij. Stofverzamel- en stofzuigsystemen moeten regelmatig en grondig worden gereinigd. Wanneer u metaal schuurt, kunnen vonken worden geproduceerd.
- elektrocutie
 - Houd netsnoeren en verlengsnoeren buiten het werkbereik van het product en andere geleidende oppervlakken.
- geluid en trilling
 - Draag gezichtsbescherming wanneer u het product bedient. Gebruik dit product niet voor een lange periode.

RISICOBEPERKING

Er zijn meldingen dat trillingen van handwerktuigen bij sommige mensen bijdragen tot het Syndroom van Raynaud. Symptomen kunnen ondermeer tintelingen, gevoelloosheid en bleek worden van de vingers omvatten, wat normaal gezien duidelijk wordt bij blootstelling aan koude. Erfelijke factoren, blootstelling aan koude en vocht, dieet, roken en werkroutine kunnen allemaal bijdragen tot de ontwikkeling van deze symptomen. Er kunnen door de bediener maatregelen worden genomen om de gevolgen van de trillingen te beperken:

- Houd bij koud weer uw lichaam warm. Draag handschoenen wanneer u de machine gebruikt om handen en polsen warm te houden. Men neemt aan dat

koud weer een belangrijke factor is die bijdraagt tot het Syndroom van Raynaud.

- Doe oefeningen om de bloeddoorstroming te bevorderen na elke periode van gebruik.
- Neem regelmatig een pauze. Beperk het aantal uren dat u per dag wordt blootgesteld.

Wanneer u enige van de symptomen van deze aandoening ervaart, stop dan onmiddellijk met het gebruik van het toestel en raadpleeg uw dokter

KEN UW PRODUCT

Zie pagina 109.

1. Sneltoets (EBS800V)
2. Hendel voorzijde, geïsoleerd grijppoppervlak
3. Instelknop voorste handvat
4. Instelknop schuurband
5. Vergrendelknop
6. Hoofdhendel, geïsoleerd grijppoppervlak
7. Stofkasthoes
8. Stofkast
9. Klem (EBS800V)
10. Hendel
11. Ontgrendelingsschakelaar schuurband
12. Bandslijpstopper (EBS800V)
13. Schuurriem
14. Schuurframe (EBS800V)
15. Instelknop schuurframe (EBS800V)

BEDIENING

- Bedien het product niet zonder dat de band vooraf goed is afgesteld en aangebracht. Een foutief afgestelde riem kan van het product loskomen en lichamelijke letsels of schade aan de bandschuurmachine leiden.
- Maak een werkstuk met een bankschroef of klem aan een geschikte werkbank vast. Dit helpt voorkomen dat het werkstuk wordt weggeslingerd.
- Gebruik de meegeleverde handvatten om het product vast te houden en met beide handen te beheersen.
- Forceer de machine niet. Gebruik het juiste product voor uw toepassing. Het correcte product zal de taak beter en veiliger uitvoeren aan het tempo waarvoor het is ontworpen.
- Oefen niet té veel druk op het product uit. Laat het gewicht van het product de correcte druk toepassen en gebruik uw handen om de bandschuurmachine te leiden. Overmatige druk leidt tot overbelasting en beschadigt de motor. Meer druk toepassen leidt niet tot het verwijderen van meer materiaal en vermindert in de plaats de schuurefficiëntie.
- Vervang de schuurband regelmatig om te garanderen dat het product effectief materiaal blijft verwijderen.
- Start het product met behulp van de aan-/uitknop en laat de band tot de juiste snelheid komen. Laat de riem dan op het werkstuk zakken. Houd het product stevig in beide handen omdat de beweging van de band het product naar voor duwt.
- Kies een band met de juiste afmetingen en geschikte ruwheid voor de opdracht. Gebruik riemen met een lagere korrel om meer materiaal te verwijderen; hogere

korrel om minder materiaal te verwijderen en een fijnere afwerking te krijgen. Vervang de band als deze beschadigd, verstopt met afval of versleten raakt.

- Het is normaal om te schuren en het product heen en weer te bewegen langs de korrel van het materiaal. Schuren dwars op de korrel werkt ook maar leidt tot een beschadigd oppervlak met krassen.

WAARSCHUWING

Stof van bepaalde verven, coatings of materialen kunnen irritatie of allergische reacties aan de ademhalingswegen veroorzaken. Stof van hout, zoals eik, beuk, MDF en anderen zijn kankerverwekkend. Materiaal dat asbest bevat mag uitsluitend door een gekwalificeerde specialist worden bewerkt of verwerkt.

- Gebruik de stofverzamelaar of verbind een stofpoort met een stofzuiger om de risico's met betrekking tot stofdeeltjes te verminderen.
- Iedereen die zich binnen of in de buurt van het werkbereik bevindt, moet een stofmasker dragen die een aangepaste bescherming biedt.
- Draag altijd een veiligheidsbril met zijdelingse bescherming wanneer u machines bedient.
- Gebruik het schuurkader en schermvoorzetstukken wanneer u het product in de omgekeerde gebruiksmodus gebruikt. Het gebruik van voorzetstukken helpt om de positie van het werkstuk te regelen en voorkomt ongewild contact met de bewegende band en rollers.
- Wanneer u de machine in de omgekeerde modus gebruikt, moet het product voldoende aan een geschikte werkbank zijn vastgemaakt met behulp van de meegeleverde klemmen. Zie grafische instructies, verder in deze gebruiksaanwijzing.

WAARSCHUWING

Letsels kunnen optreden of verergeren door langdurig gebruik van een gereedschap. Als u een werktuig gedurende langere periodes gebruikt, neem dan regelmatig pauze.

ONDERHOUD

WAARSCHUWING

Het product mag nooit worden aangesloten op de netvoeding bij het aansluiten van onderdelen, maken van afstellingen, schoonmaken, uitvoeren van onderhoud of als het product niet wordt gebruikt. Door het product los te koppelen van de stroomtoevoer voorkomt u incidenteel opstarten, wat ernstig letsel kan veroorzaken.

WAARSCHUWING

Gebruik bij het onderhoud uitsluitend de originele reserveonderdelen, accessoires en bijzetstukken van de fabrikant. Gebruik van niet originele onderdelen kan gevaar opleveren of schade aan de machine veroorzaken.

WAARSCHUWING

Remvloeistof, benzine, producten op basis van petroleum, kruipolie, enz mogen nooit in contact komen met kunststof onderdelen. Chemicaliën kunnen kunststof beschadigen, verzwakken of verwoesten, wat kan leiden tot ernstig letsel.

Voorom het gebruik van oplosmiddelen wanneer u kunststof onderdelen reinigt. De meeste kunststoffen kunnen worden beschadigd door de in de handel zijnde oplosmiddelen. Gebruik een schone doek om vuil of stof te verwijderen.

Gereedschap dat voor bewerking van glasvezeldelen, gipsplaten of bekledingsplaten wordt gebruikt, loopt meer risico om voortijdig te slijten of defect te raken. Het zaagsel en slijpsel dat uit deze materialen ontstaat, heeft een zeer schurende werking op bepaalde onderdelen van elektrisch gereedschap, zoals overbrengingen, borstels, schakelaars, enz. We raden niet aan dat u het product gebruik gedurende langere periodes op deze types materiaal.

Na elk gebruik verwijdert u de band en stofverzamelaar, indien gemonteerd. Maak de stofverzamelaar schoon, zoals afgebeeld in de afbeeldingen in deze gebruiksaanwijzing. Reinig het product grondig met behulp van een borstel, droge doek en stofzuiger.

WAARSCHUWING

Gebruik geen perslucht om stof van het product weg te blazen om ernstige oogletsels te vermijden.

WAARSCHUWING

Wanneer de stroomkabel is beschadigd, dient deze vervangen te worden door een speciale kabel of kabelgeheel die/dat verkrijgbaar is bij de fabrikant of diens onderhoudsagent. Neem contact op met een geautoriseerd onderhoudscentrum.

Alle reparaties moeten worden uitgevoerd door een Erkend Servicecentrum teneinde de veilige en betrouwbare werking van de machine te garanderen.

Alle lagers in dit gereedschap zijn gesmeerd met een voldoende hoeveelheid smeermiddel van hoge kwaliteit, wat moet volstaan voor de levensduur van de machine onder normale gebruiksomstandigheden. Extra smering is daarom niet noodzakelijk.

MILIEUBESCHERMING



Zorg dat grondstoffen worden gerecycled in plaats van weggegooid als afval. Om het milieu te beschermen dient de machine, de accessoires en de verpakking gesorteerd bij een erkend recyclingcentrum te worden aangeleverd.

SYMBOOL



Veiligheidswaarschuwing

V Volt

Hz Hertz

~ Wisselstroom

W Watt

n_o Onbelast toerental

min^{-1} Aantal toeren of omwentelingen per minuut



EU-conformiteit



EurAsian-symbool van overeenstemming



Oekraïens conformiteitsymbool



Klasse II, dubbelgeïsoleerd



Lees zorgvuldig de instructies voor u het product start.



Draag gehoorbescherming



Draag gezichtsbescherming



Elektrisch afval mag niet samen met ander huishoudafval worden weggegooid. Gelieve te recyclen indien de mogelijkheid bestaat. Neem contact op met uw gemeente of handelaar om advies te krijgen over recycling.

SYMBOLEN IN DE GEBRUIKSAANWIJZING



Opmerking



Verbind met de stroombron.



Ontkoppel van de stroombron.



Vergrendeling



Ontgrendeling



Snelheid, minimaal



Snelheid, max.

De volgende kernwoorden en verklaringen zijn bedoeld om de gevaarniveaus die op dit toestel betrekking hebben, te verklaren.

GEVAAR

Wijst op een gevaarlijke situatie die, indien ze niet wordt vermeden, kan leiden tot ernstige verwondingen of de dood.

WAARSCHUWING

Wijst op een mogelijk gevaarlijke situatie die, indien ze niet wordt vermeden, kan leiden tot ernstige verwondingen of de dood.

LET OP

Wijst op een mogelijk gevaarlijke situatie die, indien ze niet wordt vermeden, kan leiden tot lichte of middelmatige verwondingen.

LET OP

(Zonder veiligheidssymbool) Geeft een situatie aan die materiële schade zou kunnen veroorzaken.

Segurança, desempenho e fiabilidade foram as prioridades na concepção da sua lixadeira de cinta.

UTILIZAÇÃO PREVISTA

A lixadora de rolos destina-se a ser utilizada por adultos que tenham lido e compreendido as instruções e os avisos neste Manual e que possam ser considerados responsáveis pelas suas ações.

O produto destina-se a lixar metal, madeira, plástico ou materiais semelhantes. Também serve para eliminar pintura, verniz e corrosão das superfícies. O produto apenas deve ser utilizado em áreas bem ventiladas.

O produto foi desenhado apenas para lixar em seco. Não utilize o produto para lixamento húmido.

A lixadora de banda pode ser utilizada como ferramenta portátil, de modo que o utilizador a move manualmente sobre a superfície da peça de trabalho que deseja lixar. A peça de trabalho deve ser fixada sobre uma plataforma estável e resistente.

A lixadora de banda pode ser utilizada no modo inverso se se fixar a um banco de trabalho utilizando os acessórios fornecidos pelo fabricante. Quando se usa no modo inverso, o operário guia a peça de trabalho que deseja lixar sobre a banda lixadora.

O produto destina-se apenas a uma utilização na ótica do consumidor.

Utilize o produto exclusivamente para o uso para o qual foi concebido. O uso da ferramenta eléctrica para as operações diferentes daquelas a que se destina podem causar uma situação perigosa.

⚠ AVISO

O pó de certas pinturas, revestimentos e materiais pode causar irritação ou reações alérgicas no sistema respiratório. O pó de madeira como o carvalho, a faia, o MDF e outros é cancerígeno. O material que contém amianto apenas deve ser trabalhado ou processado por operadores especialistas qualificados.

⚠ AVISO

Leia com atenção todas as advertências, instruções e especificações fornecidas com a ferramenta, e consulte as ilustrações. O incumprimento das instruções seguintes pode ocasionar acidentes como incêndios, choques eléctricos e/ou ferimentos graves.

Guarde todos os avisos e instruções para futuras consultas.

AVISOS GERAIS DE SEGURANÇA PARA O CAVALETE DE TRABALHO

⚠ AVISO

Leia todos os avisos de segurança e todas as instruções fornecidas com o cavalete de trabalho e com a ferramenta eléctrica a ser montada no cavalete. O incumprimento em seguir os s e as instruções pode ter como consequências o choque eléctrico, incêndio e/ou lesões graves.

- **ConsERVE estas advertências e instruções para poder consultá-las mais tarde.**
- O termo “ferramenta eléctrica” utilizado nas instruções de segurança seguintes designa tanto as ferramentas eléctricas que se ligam à corrente como as ferramentas eléctricas sem fio.
- **Antes de fazer quaisquer ajustes ou de substituir acessórios, deseneixe a ficha da tomada da rede eléctrica e/ou retire a bateria da ferramenta eléctrica.** O arranque accidental da ferramenta eléctrica pode causar acidentes.
- **Arme correctamente o cavalete de trabalho antes de montar a ferramenta no cavalete.** É importante que o cavalete de trabalho seja correctamente armado, para evitar o risco de desabamento.
- **Antes da utilização, fixe a ferramenta eléctrica de forma segura ao montá-la no cavalete de trabalho.** Se a ferramenta eléctrica deslizar e mudar de posição quando montada no cavalete de trabalho, isso poderá causar uma perda de controlo.
- **Posicione o cavalete de trabalho numa superfície sólida, plana e horizontal.** Se o cavalete de trabalho estiver incorrectamente posicionado, poderá oscilar ou deslizar e mudar de posição, não sendo possível controlar a ferramenta eléctrica ou a peça de trabalho com firmeza e em segurança.
- **Não sobrecarregue o cavalete de trabalho nem o utilize como escadote ou andaime.** Se sobrecarregar o cavalete ou se subir para cima dele, isso irá alterar o centro de gravidade do cavalete (ficando mais pesado no topo do que na base), o que torna o cavalete instável e aumenta o risco de tombar.

ADVERTÊNCIAS DE SEGURANÇA DA LIXADORA DE BANDA

- **Agarre a ferramenta eléctrica pelas superfícies de prensão, porque a superfície de lixar pode entrar em contacto com o próprio cabo.** Ao cortar um cabo com corrente, as peças metálicas da ferramenta conectada podem ficar expostas, o que poderia provocar um choque eléctrico para o operador.

AVISOS DE SEGURANÇA ADICIONAIS

- **Fixe a peça de trabalho com um dispositivo de fixação.** As peças de trabalho mal presas podem causar danos e lesões graves. Não segure o material que estiver a lixar com a mão.
- **Não utilize uma lixa maior do que o necessário.**

- **Utilize sempre óculos de segurança e uma máscara.**
- **Deve usar uma máscara anti-pó adequada quando lixar superfícies revestidas com tinta à base de chumbo assim como certas madeiras e metais, para evitar inalar poeiras ou vapores tóxicos.**

RISCOS RESIDUAIS

Mesmo quando se utiliza o produto segundo as instruções, continua a ser impossível eliminar por completo certos fatores de risco residuais. Podem surgir os seguintes riscos durante o uso e o operador deve prestar especial atenção para evitar o seguinte:

- ficar obstruído ou contactar com a banda móvel
 - Em especial durante a utilização invertida, tem de ser tomada cautela adicional para evitar que os dedos e as mãos do operador entrem em contacto com a cinta abrasiva ou que sejam entalados pelos rolos. Utilize um acessório guia sempre que possa para ajudar a controlar a peça de trabalho e evitar que fique obstruída no rolo móvel.
- Prejuízo causado pela poeira
 - O uso do produto produzirá uma quantidade considerável de pó e partículas. Use o dispositivo de recolha de pó ou conecte um aspirador para extração de pó ao utilizar o produto. Utilize máscaras com filtros adequados para os materiais com que estiver a trabalhar. Assegure uma ventilação adequada do local de trabalho. Não coma, beba ou fume na área de trabalho. Utilizar apenas nos materiais especificados na secção Utilização prevista. Não utilizar sobre materiais que possam implicar um risco para a saúde (por exemplo, amianto).
- risco de explosão
 - O pó acumulado pode arder e provocar incêndios. Mantenha a zona de trabalho limpa e livre de pó. Os sistemas de recolha de pó e extração de fumos devem ser limpos a fundo e com frequência. Ao lixar metal, podem produzir-se faíscas.
- electrocução
 - Mantenha os cabos de alimentação e extensão afastados do alcance de trabalho do produto e de outras superfícies condutoras.
- ruído e vibração
 - Utilize proteção ocular ao utilizar o produto. Não utilize o produto durante longos períodos de tempo.

REDUÇÃO DO RISCO

Foi reportado que as vibrações das ferramentas de mão podem contribuir para uma doença designada de Síndrome de Raynaud em determinados indivíduos. Os sintomas podem incluir formigamento, entorpecimento e empalidecimento dos dedos, habitualmente visível aquando da exposição ao frio. Estima-se que os factores hereditários, exposição ao frio e humidade, dieta, tabagismo e práticas de trabalho contribuem todos para o desenvolvimento destes sintomas. Existem medidas que podem ser tomadas pelo operador para possivelmente reduzir os efeitos da vibração:

- Mantenha o seu corpo quente durante o tempo frio. Ao operar a unidade, use luvas para manter as mãos e os pulsos quentes. Encontra-se reportado que o tempo frio é um grande factor que contribui para o Síndrome de Raynaud.
- Após cada período de operação, exercite para aumentar a circulação sanguínea.
- Faça pausas frequentes no trabalho. Limite o tempo de exposição por dia.

Caso sinta algum dos sintomas desta doença, interrompa de imediato a sua utilização e consulte o seu médico sobre estes sintomas.

CONHEÇA O SEU PRODUTO

Consulte a página 109.

1. Regulador de velocidade (EBS800V)
2. Pega dianteira, superfícies de preensão isoladas
3. Botão de ajuste da pega dianteira
4. Maçaneta de ajuste da cinta de lixagem
5. Botão de bloqueio
6. Pega principal, superfícies de preensão isoladas
7. Tampa da caixa de poeiras
8. Caixa de poeiras
9. Braçadeira (EBS800V)
10. Gatilho
11. Alavanca de libertação da cinta de lixagem
12. Batente para lixagem em bancada (EBS800V)
13. Lixadora mecânica de cinta
14. Armação para lixagem (EBS800V)
15. Maçaneta de ajuste da armação para lixagem (EBS800V)

OPERAÇÃO

- Não opere o produto se a banda não estiver adequadamente encaixada e ajustada. Uma banda mal encaixada pode sair do produto e causar lesões pessoais ou danos na lixadora.
- Segure a peça de trabalho com um torno ou braçadeira a um banco de trabalho adequado. Isto ajuda a evitar que a peça de trabalho se lance.
- Use as asas fornecidas para fixar e controlar o produto com ambas as mãos.
- Não force a ferramenta. Use o produto adequado para a sua aplicação. O produto adequado funcionará melhor e de forma mais segura no âmbito para o qual foi desenhado.
- Não aplique pressão excessiva no produto. Deixe que o peso do produto aplique a pressão correta e use as mãos para guiar a lixadora. Uma pressão excessiva sobrecarregará o produto e danificará o motor. Aplicar mais pressão não eliminará mais material, e reduzirá a eficácia de lixar.
- Substitua a banda de lixar com frequência para manter a capacidade do produto de eliminar material de maneira eficaz.
- Arranque o produto usando o interruptor e deixe que a banda alcance a velocidade correta. Depois, desça a banda para a peça de trabalho. Deve segurar firmemente o produto com ambas as mãos porque o movimento da banda impulsionalá o produto para a

frente.

- Selecione uma banda do tamanho correto e a resistência adequada para o trabalho. Use bandas com um número inferior para eliminar mais material; os números superiores servem para eliminar menos material e para acabamentos mais finos. Substitua a banda se estiver danificada, obstruída por resíduos ou desgastada.
- É normal lixar e mover o produto para frente e para trás no sentido do grão do material. Lixar através do grão funcionará mas os resultados serão uma superfície raspada e danificada.

⚠ AVISO

O pó de certas pinturas, revestimentos e materiais pode causar irritação ou reações alérgicas no sistema respiratório. O pó de madeira como o carvalho, a faia, o MDF e outros é cancerígeno. O material que contém amianto apenas deve ser trabalhado ou processado por operadores especialistas qualificados.

- Use o coletor de pó ou conecte a abertura de saída a um aspirador para reduzir os riscos associados às partículas de pó.
- Todas as personas situadas na área de trabalho ou próximo devem utilizar máscaras que ofereçam uma proteção adequada.
- Use sempre óculos de protecção ou óculos de segurança com protecções laterais quando utilizar os produtos.
- Use o quadro lixar e os acessórios de fixação ao usar o produto no modo inverso de funcionamento. O uso de acessórios ajuda a controlar a posição da peça de trabalho e evitar o contacto acidental com a banda móvel e os rolos.
- Em modo inverso, o produto deve fixar-se corretamente a um banco de trabalho adequado usando as braçadeiras fornecidas. Consulte as instruções gráficas que aparecem mais à frente no manual.

⚠ AVISO

As lesões podem ser causadas ou agravadas pelo uso prolongado de uma ferramenta. Ao usar qualquer ferramenta durante períodos prolongados, assegure-se que faz intervalos regulares.

MANUTENÇÃO

⚠ AVISO

O produto não deve nunca ligado à corrente eléctrica durante a montagem de peças, a realização de ajustes, limpeza, operações de manutenção ou quando não está em uso. Desligar o produto da fonte de alimentação eléctrica irá impedir o arranque acidental que poderia causar ferimentos graves.

⚠ AVISO

Na manutenção utilize apenas peças sobresselentes, acessórios e auxiliares originais do fabricante. O uso de quaisquer outras peças pode criar perigo ou causar danos ao aparelho.

⚠ AVISO

Nunca, em qualquer momento, deixe que fluidos de travagem, gasolina, produtos petrolíferos, óleos de perfuração, etc., entrem em contacto com as peças de plástico. Estes produtos químicos contêm substâncias que podem danificar, deteriorar ou destruir o plástico, o que poderia provocar ferimentos graves.

Evite usar solventes ao limpar as peças de plástico. A maioria dos plásticos pode ser danificada pelos solventes vendidos no comércio. Utilize um pano limpo para remover as sujidades, o pó, etc.

As ferramentas eléctricas utilizadas em equipamentos de fibra de vidro, placas de gesso, painéis de revestimento têm tendência a desgastarem-se mais rapidamente e a apresentar falhas prematuras, dado que as aparas e a serradura provenientes destes materiais são com efeito muito abrasivas para as peças das ferramentas eléctricas como por exemplo as engrenagens, as escovas, os interruptores, etc. Não recomendamos a utilização do aparelho durante longos períodos de tempo nestes tipos de materiais.

Depois de cada uso, retire a banda e o coletor de pó, se for o caso. Limpe o coletor de pó tal como se indica nas imagens. Limpe a fundo o produto com uma escova, um pano seco e um aspirador.

⚠ AVISO

Não use ar comprimido para eliminar o pó do produto de modo a evitar lesões oculares graves.

⚠ AVISO

Se o cabo eléctrico estiver danificado deverá ser substituído por um cabo especial disponível junto do fabricante ou do seu agente de reparações. Contacte o centro de serviço autorizado.

Para uma maior segurança e fiabilidade, todas as reparações devem ser realizadas por um centro de assistência autorizado.

Todos os rolamentos desta ferramenta estão lubrificados com um montante suficiente de lubrificante de elevado nível, de acordo com a duração de vida da unidade em condições normais de funcionamento. Por conseguinte, não requer nenhuma lubrificação suplementar.

PROTECÇÃO DO AMBIENTE



Recicle os materiais em vez de pô-los directamente no lixo doméstico. Para proteger o ambiente, a ferramenta, os acessórios e as embalagens devem ser seleccionados.

SÍMBOLO



Alerta de Segurança

V

Volts

Hz

Hertz

~

Corrente alterna

W

Watts

n_0

Velocidade em vazio

min⁻¹

Número de rotações ou movimentos por minuto



Conformidade CE



Marca de conformidade EurAsian



Marca de conformidade ucraniana



Classe II, com duplo isolamento



Por favor, leia atentamente as instruções antes de acender o produto.



Use protecção para os ouvidos



Use protecção para os olhos



Os aparelhos eléctricos antigos não devem ser eliminados juntamente com o lixo doméstico. Recicle onde existem instalações para o efeito. Verifique com as suas Autoridades Locais ou revendedor para obter informações sobre reciclagem.

SÍMBOLOS NESTE MANUAL



Nota



Conecte à fonte de alimentação.



Desconecte da fonte de alimentação.



Bloqueio



Abrir



Velocidade, mínimo



Velocidade, máximo

As seguintes palavras de sinal e significados destinam-se a explicar os níveis de risco associados a este produto.

PERIGO

Indica uma situação de perigo iminente, a qual, se não for evitada, pode resultar em morte ou ferimentos graves.

AVISO

Indica uma situação potencialmente perigosa que, se não for evitada, pode resultar em morte ou ferimentos graves.

CAUTELA

Indica uma situação potencialmente perigosa que, se não for evitada, pode resultar em ferimentos leves ou moderados.

CAUTELA

(Sem símbolo de segurança) Indica uma situação que pode provocar danos materiais.



Sikkerhed, ydelse og driftssikkerhed har fået topprioritet i designet af din båndsliber.

TILTÆNKT ANVENDELSESFORMÅL

Båndpudseren er kun beregnet til at blive anvendt af voksne personer, der har læst og forstået instruktionerne og advarslerne i denne brugsvejledning, og som kan betragtes som værende ansvarlige for deres handlinger.

Produktet er beregnet til slibning af metal, træ, plast eller tilsvarende materialer. Den kan også bruges til at fjerne maling, lak og rust fra overflader. Produktet må kun benyttes i godt ventilerede områder.

Produktet er kun beregnet til tørslibning. Undlad at bruge produktet til vådslibning.

Båndsliberen kan bruges i håndholdt tilstand og bevæges manuelt af operatøren på den emneoverflade, der skal slibes. Emnet bør fastgøres til en robust og stabil platform.

Båndsliberen kan benyttes i omvendt tilstand, når den er fastgjort til en arbejdsbænk ved hjælp af det tilbehør, der leveres af producenten. I omvendt tilstand fører operatøren det emne, de skal slibes, på slibebandet.

Produktet er kun beregnet til hjemmebrug.

Produktet må kun bruges til de formål, der er angivet under formålsbestemt/korrekt brug. Brug af elværktøjet i strid med det tiltænkte anvendelsesformål kan medføre farlige situationer.

ADVARSEL

Støv fra visse typer maling, belægninger og materialer kan forårsage irritation eller allergiske reaktioner i åndedrætssystemet. Støv fra træ som fx eg, bøg, MDF og andre er kræftfremkaldende. Materiale, som indeholder asbest, må kun bearbejdes eller håndteres af hertil kvalificerede specialoperatører.

ADVARSEL

Læs alle omhyggeligt alle advarsler, anvisninger og specifikationer, som følger med maskinen, og studer illustrationerne. Hvis nedenstående forskrifter ikke overholdes, kan der ske uheld og ulykker som brand, elektrisk stød og/eller alvorlige personskader.

Gem alle advarsler og brugsanvisninger til senere brug.

GENERELLE SIKKERHEDSADVARSLER FOR ARBEJDSBORDET

ADVARSEL

Læs alle sikkerhedsadvarsler og alle instruktioner, der følger med arbejdsbordet og det elværktøj, der skal monteres. Hvis advarslen og instruktionerne ikke følges, kan det medføre elektrisk stød og/eller alvorlig personskade.

- Gem vejledningen med advarsler og anvisninger til senere opslag.

- Betegnelsen "elektrisk værktøj" i de efterfølgende sikkerhedsanvisninger gælder både elektriske værktøjer, som tilsluttes lysnettet med ledning, og batteridrevne værktøjer.
- Fjern stikket fra strømkilden, og/eller fjern batteripakken fra elværktøjet, før du foretager justeringer eller udskifter tilbehør. Hvis elværktøjet startes ved en fejl, kan det forårsage visse ulykker.
- Arbejdsbordet skal monteres korrekt, før værktøjet monteres. Korrekt montering er vigtigt for at forhindre risiko for sammenstyrtning.
- Fastgør elværktøjet sikkert til arbejdsbordet før brug. Udskiftning af elværktøj på arbejdsbordet kan forårsage tab af kontrol.
- Placer arbejdsbordet på en stabil, flad og plan overflade. Hvis arbejdsbordet kan vippe eller kan flytte sig, kan elværktøjet eller arbejdsbordet ikke kontrolleres roligt og sikkert.
- Overbelast ikke arbejdsbordet, og undlad at bruge det som stige eller stillads. Hvis arbejdsbordet overbelastes, eller hvis man står på det, kan det forårsage, at bordet bliver "vaklende" og sandsynligvis vil vælte.

SIKKERHEDSADVARSLER VEDR. BÅNDSLIBERE

- Hold kun på elværktøjet på de isolerede gribeblader, fordi slibeoverfladen evt. kan komme i berøring med sin egen ledning. Hvis der skæres i en strømførende ledning, bliver udsatte metaldele af elværktøjet strømførende og kan give brugeren elektrisk stød.

EKSTRA SIKKERHEDSADVARSLER

- Emnet skal fastspændes med en fastspændingsanordning. Ikke-spændte emner kan forårsage alvorlige (person)skader. Undlad at holde det materiale, der slibes, med hånden.
- Undgå at bruge større slibeband end nødvendigt.
- Benyt altid sikkerhedsbriller og støvmaske.
- Der skal benyttes et egnet åndedrætsværn ved slibning af blyholdig maling, visse trætyper og metal for at undgå indånding af skadeligt/giftigt støv eller luft.

UUNDGÅELIGE RISICI

Selv om produktet anvendes som foreskrevet, er det stadig umuligt at eliminere visse uundgåelige risikofaktorer fuldstændigt. Følgende risici kan opstå under brug, og operatøren bør være særligt opmærksom for at undgå følgende:

- fasthængning i eller kontakt med det kørende bånd
 - Specielt under omvendt betjening skal der udvises ekstra forsigtighed for at forhindre, at operatørens fingre og hænder kommer i berøring med slibebandet eller bliver indfanget af rullerne. Brug så vidt muligt anslagsudstyret til at hjælpe med at styre emnet og forhindre indfangning i den kørende valse.
- Personskader forårsaget af støv
 - Anvendelse af produktet frembringer



betydelige mængder støv og fine partikler. Brug støvopsamlingsenheden, eller tilslut en støvudsugninganordning, når produktet benyttes. Benyt støvmasker med filtre, der svarer til det materiale, der arbejdes med. Sørg for tilstrækkelig ventilation på arbejdspladsen. Undlad at spise, drikke eller ryge i arbejdsområdet. Brug kun på materialer angivet i afsnittet om tilsigtede brug. Må ikke bruges på materialer (fx asbest), der udgør en sundhedsrisiko.

- Eksplosionsfare
 - Ophobet fint støv kan antændes og forårsage brand. Hold arbejdsområdet rent og frit for støv. Støvopsamlings- og luftudsugningssystemer skal rengøres grundigt med jævne mellemrum. Ved slibning af metal kan der dannes varme gløder.
- elektrisk stød
 - Hold elledninger og forlængerledninger væk fra produktets arbejdsområde og andre ledende overflader.
- støj og vibration
 - Benyt altid høreværn under arbejdet med produktet. Undlad at benytte produktet i længere perioder ad gangen.

RISIKOREDUKTION

Der er rapporteret om, at vibrationer fra håndholdte værktøjer kan være medvirkende til en lidelse kaldet Raynauds syndrom hos visse personer. Symptomerne herpå kan være prikken, følelsesløshed og blegning af fingrene, der normalt viser sig ved kuldepåvirkning. Faktorer som arvelighed, udsættelse for kulde og fugt, kost, rygning og arbejdsvaner menes alle at medvirke til udviklingen af disse symptomer. Der findes forholdsregler, som operatøren kan træffe for at begrænse påvirkningen fra vibrationer:

- Hold kroppen varm i koldt vejr. Brug handsker, så hænder og vrister holdes varme under arbejdet. Der er rapporteret om, at koldt vejr er en væsentlig faktor til Raynauds syndrom.
- Motionér efter hver arbejdsperiode for at øge blodcirkulationen.
- Hold hyppige arbejdspauser. Begræns eksponeringen for vibrationer pr. dag.

Hvis du mærker nogen af symptomerne på denne tilstand, skal du straks ophøre med arbejdet og søge læge.

KEND PRODUKTET

Se side 109.

1. Drejeknap til hastighed (EBS800V)
2. Fronthåndtag, isoleret gribeblade
3. Justeringsknap til forreste håndtag
4. Justeringsknap til slibebånd
5. Låseknop
6. Hovedhåndtag, isoleret gribeblade
7. Støvboksdæksel
8. Støvboks
9. Spænde (EBS800V)
10. Udløser
11. Udløserarm til slibebånd

12. Stopper til bænksliber (EBS800V)
13. Slibebånd
14. Sliberamme (EBS800V)
15. Justeringsknap til sliberamme (EBS800V)

BETJENING

- Undlad at benytte produktet, hvis slibebåndet ikke er ordentligt sporet og monteret. Et forkert sporet slibebånd kan komme falde af produktet og medføre personskade eller beskadigelse af slibemaskinen.
- Emnet skal fastgøres til en passende arbejdsbænk med en skruestik. Dette bidrager til at forhindre emnet i at blive slynget bort.
- Brug de medfølgende håndtag til at holde og styre produktet med begge hænder.
- Undlad at tvinge værktøjet. Brug det korrekte produkt til anvendelsesformålet. Det korrekte produkt klarer opgaven bedre og sikrere i den hastighed, det er designet til.
- Undlad at udsætte produktet for kraftigt pres. Lad produktets vægt udøve det korrekte tryk, og brug hænderne til at styre slibemaskinen. For kraftigt tryk vil overbelaste produktet og ødelægge motoren. Udøvelse af kraftigere tryk vil ikke fjerne mere materiale, men vil i stedet reducere slibe-effektiviteten.
- Skift slibebånd ofte for at bevare produktets evne til effektivt at fjerne materiale.
- Start produktet med udløserkontakten, og vent, til slibebåndet har den rigtige hastighed. Sænk derefter slibebåndet ned på emnet. Hold produktet sikkert med begge hænder, da slibebåndets bevægelse vil drive produktet fremad.
- Vælg et slibebånd i korrekt størrelse og med passende ruhed i forhold til arbejdsopgaven. Brug slibebånd med et lavere korntal til fjernelse af mere materiale; brug et højere korntal til fjernelse af mindre materiale og for en finere finish. Udskift slibebåndet, hvis det bliver beskadiget, tilstoppet med snavs eller er slidt.
- Man sliber og bevæger normalt produktet frem og tilbage langs materialets årer. Slibning på tværs af årerne er mulig, men giver en ridset og beskadiget overflade.

⚠ ADVARSEL

Støv fra visse typer maling, belægninger og materialer kan forårsage irritation eller allergiske reaktioner i åndedrætssystemet. Støv fra træ som fx eg, bøg, MDF og andre er kræftfremkaldende. Materiale, som indeholder asbest, må kun bearbejdes eller håndteres af hertil kvalificerede specialoperatører.

- Brug støvopsamleren, eller tilslut støvåbningen til en udsugningsanordning for at reducere de risici, der er forbundet med støvpartikler.
- Alle personer, der befinder sig i arbejdsområdet, skal bære ansigtsmaske, som yder tilstrækkelig beskyttelse.
- Der skal altid bæres sikkerhedsbriller med sideskjolde under betjening af produkterne.
- Brug sliberammen og anlagsudstyret, når produktet

bruges i omvendt driftsmåde. Anvendelse af udstyret bidrager til at styre emnets position og forhindrer utilsigtet kontakt med det kørende slibebånd og valserne.

- Når produktet bruges i omvendt tilstand, skal det være tilstrækkeligt fastgjort til en passende arbejdsbænk ved hjælp af de medfølgende udstyrsklemmer. Se illustrationerne senere i denne brugsanvisning.

⚠ ADVARSEL

Længere tids brug af et værktøj kan forårsage - eller forværre - personskader. Når man bruger et værktøj i længere perioder ad gangen, skal man huske at holde hyppige pauser.

VEDLIGEHOLDELSE

⚠ ADVARSEL

Produktet må aldrig slutes til en strømforsyning, mens man er i færd med at samle dele, foretage justeringer, rengøre, udføre vedligeholdelsesarbejde, eller når produktet ikke anvendes. Frakobling af produktet fra strømforsyningen vil forhindre utilsigtet start, hvilket kan medføre alvorlig personskade.

⚠ ADVARSEL

Ved service Brug kun originale reservedele, ekstraudstyr og tilbehør fra producenten. Brug af alternative dele kan forårsage farlige situationer eller ødelægge produktet.

⚠ ADVARSEL

Sørg for, at bremsevæske, benzin, petroleumsbaserede produkter, penetreringsolie, mv., aldrig kommer i kontakt med plastdele. Disse kemiske produkter indeholder stoffer, som kan beskadige, mørne eller ødelægge plastmaterialet, så man risikerer at komme alvorligt til skade.

Undgå brug af opløsningsmidler til rengøring af plastdele. De fleste plasttyper bliver ødelagt, hvis de renses med almindelige gængse opløsningsmidler. Fjern snavs, støv m.v. med en ren klud.

Elektriske værktøjer, som bruges på glasfiber, gipsplader og beklædningsplader har tendens til at blive slidt hurtigere og evt. få flere driftsproblemer. Spåner og savsmuld fra disse materialer har nemlig en kraftig slibevirkning på det elektriske værktøjs dele, fx lejer, kulbørster, omskiftere osv. Vi anbefaler, at man ikke bruger produktet i længere tid med disse typer materialer.

Efter brug skal man fjerne slibebåndet og evt. støvsamlere. Støvsamlere rengøres som vist i illustrationerne i denne brugsanvisning. Produktet skal rengøres grundigt med en børste, tør klud og støvsuger.

⚠ ADVARSEL

Undlad at bruge trykluft til at blæse støv bort fra produktet, da dette kan give alvorlige øjenskader.

⚠ ADVARSEL

Hvis strømforsyningsledningen beskadiges, skal den erstattes med en speciel ledning eller samling, der fås hos producenten eller serviceforhandleren. Kontakt et autoriseret servicecenter.

For bedre sikkerhed og pålidelighed skal alt reparationsarbejde udføres på et autoriseret servicecenter. Alle lejerne i dette værktøj er smurt for produktets levetid under normale driftsbetingelser med en tilstrækkelig mængde højkvalitetssmøremiddel. Det er derfor ikke nødvendigt med yderligere smøring.

MILJØBESKYTTELSE



Råmaterialerne skal genbruges og ikke bortskaffes som almindeligt affald. Af hensyn til miljøet skal redskab, tilbehør og emballage sorteres.

SYMBOL



Sikkerheds Varsel

V

Volt

Hz

Hertz

~

Vekselstrøm

W

Watt

n_o

Tomgangshastighed

min⁻¹

Antal omdrejninger eller bevægelser pr. Minut



CE Overensstemmelse



EurAsian overensstemmelsesmærke



Ukrainisk overensstemmelsesmærke

001



Klasse II, dobbeltisoleret



Læs venligst vejledningen omhyggeligt inden start af produktet.



Benyt hørevern



Benyt øjenværn



Elektriske affaldsprodukter bør ikke afskaffes sammen med husholdningsaffald. Genbrug venligst hvor faciliteterne tillader dette. Tjek med din lokale kommune eller forhandler for genbrugsråd.

SYMBOLER I BRUGSANVISNINGEN



BEMÆRK



Slut til strømforsyningen.



Kobl fra strømforsyningen.



Lås



Oplås



Hastighed, mindste



Hastighed, max

De følgende ikoner og betydninger er beregnet til at forklare risikoen involveret i at anvende denne enhed.

FARE

Indikerer en umiddelbart farlig situation, som - hvis den ikke afværges - vil medføre dødsfald eller alvorlig personskade.

ADVARSEL

Indikerer en potentielt farlig situation, som - hvis den ikke afværges - kan medføre dødsfald eller alvorlig personskade.

VÆR OPMÆRKSOM

Indikerer en potentielt farlig situation, som - hvis den ikke afværges - kan medføre mindre eller middelsvår personskade.

VÆR OPMÆRKSOM

(Uden sikkerhedssymbol) indikerer en situation som kan føre til skade af personlig ejendom.

Säkerhet, prestanda och pålitlighet har varit högsta prioritet vid design av din slipmaskin.

ANVÄNDNINGSMÅL

Remslipmaskinen är endast avsedd för vuxna användare som har läst och förstått instruktionerna och varningarna i denna manual, och som kan anses vara ansvariga för sina handlingar.

Produkten är avsedd för slipning av metall, trä, plast eller liknande material. Den kan även ta bort målarfärg, lack och rost från ytor. Produkten bör endast användas i väl ventilerade utrymmen.

Produkten är avsedd enbart för torrslipning. Använd inte produkten för våtslipning.

Bältsliparen kan användas handhållen och köras manuellt på arbetsstycket som ska slipas. Arbetsstycket ska vara fixerat på stadigt och stabilt underlag.

Bältsliparen kan användas inverterad när den är monterad på arbetsbänk och med tillbehör från tillverkaren. I inverterat läge styr användaren arbetsstycket för slipning mot bältet.

Produkten är endast avsedd för konsumentanvändning.

Använd inte produkten på något annat sätt än vad som är avsett. Användning av el-verktyget för andra områden än de avsedda kan resultera i en riskfylld situation.

⚠ VARNING

Damm från viss typ av färg, ytor och material kan skapa irritation eller allergiska reaktioner i andningssystemet. Damm från trä som ek, bok, MDF och annat är cancerframkallande. Material som innehåller asbest får enbart bearbetas av specialutbildade användare.

⚠ VARNING

Läs uppmärksam alla varningar, instruktioner och specifikationer som bifogas med detta verktyg och studera bilderna. Underlåtenhet att respektera dessa föreskrifter kan leda till olyckor som brand, elektriska stötar och/eller allvarliga kroppsskador.

Behåll dessa varningar och anvisningar för framtida referens.

ALLMÄNNA SÄKERHETSFORESKRIFTER FÖR HÖGA ARBETSBORD

⚠ VARNING

Läs igenom alla säkerhetsföreskrifter och varningar samt alla instruktioner som medföljer det höga arbetsbordet och verktyget som ska monteras. Att inte följa en och instruktionerna kan resultera i elstöt, brand och/eller allvarlig skada.

- Spara dessa varningar och instruktioner för senare behov.
- Termen "elektriskt verktyg" som används i nedanstående säkerhetsföreskrifter används både

om elektriska verktyg som ansluts till nätet och om sladdlösa elektriska verktyg.

- **Ta ut kontakten ur eluttaget och/eller batteriet från elverktyget innan du gör några justeringar eller byter tillbehör.** Start av elverktyget av misstag kan orsaka olyckor.
- **Montera det höga arbetsbordet fullständigt innan verktyget monteras.** Det är viktigt med korrekt montering för att undvika risken att bordet rasar.
- **Fäst och säkra verktyget vid arbetsbordet före användning.** Om elverktyget är instabilt kanske det inte kan kontrolleras.
- **Placera arbetsbordet på solitt, plant och jämnt underlag.** Om arbetsbordet kan flytta sig eller gunga blir inte verktyget stabilt och kan inte kontrolleras säkert.
- **Överbelasta inte arbetsbordet, använd det inte heller som steg eller ställning.** Att överbelasta eller stå på arbetsbordet gör det "topptungt" och ökar risken för att det ska välta.

VIKTIGA SÄKERHETSVARNINGAR FÖR SLIP

- **Håll elverktyget i den isolerade greppytan, eftersom poleringsytan kan komma i kontakt med dess egen kabel.** Om du skulle skära i en strömförande kabel kan exponerade delar av elverktyget bli strömförande och du kan få en stöt.

YTTERLIGARE SÄKERHETSFORESKRIFTER

- **Fest arbetsstycket med klämanordning.** Icke fastklämda arbetsstycken kan orsaka allvarliga skador och skada på egendom. Håll inte det material som slipas med enbart handen.
- **Använd aldrig större slipband än vad som behövs.**
- **Bär alltid skyddsglasögon och dammask.**
- **Du bör använda en lämplig skyddsmask mot damm då du slipar ytor som är täckta med blybaserad färg eller vissa träslag och metaller, för att inte andas in damm eller giftiga ångor.**

RRESIDUALRISK

Även om produkten används enligt instruktionerna går det inte att eliminera alla eventuella riskfaktorer. Följande risker kan uppstå vid användning och operatören ska vara extra uppmärksam för att undvika följande:

- intrassling eller kontakt med bältet
 - I synnerhet vid omvänd drift krävs extra försiktighet för att förhindra att operatörens fingrar och händer kommer i kontakt med slipremmen eller fastnar i rullarna. Använd skyddet alltid när det är möjligt för att styra arbetsstycket och hindra intrassling i den rörliga rullen.
- Skador orsakade av damm
 - Användning av produkten ger ansenliga mängder damm och småpartiklar. Använd dammuppsamlare eller anslut produkter till extern dammsugare. Använd andningsskydd med filter som är lämpliga för de material som bearbetas. Se till att arbetsplatsen är tillräckligt ventilerad. Ät, drick eller rök inte på arbetsområdet. Använd endast

på de material som anges under avsnittet Avsedd användning. Använd inte på material (som asbest) som kan innebära hälsorisker.

- explosionsrisk
 - Ansamlat fint damm kan antändas och orsaka eldsvåda. Se till att arbetsplatsen är ren och dammfri. Dammsamlings- och uppsugningssystem ska regelbundet rengöras noga. Vid slipning av metall kan gnistbildning uppkomma.
- elektrisk stöt
 - Håll el- och förlängningskablar borta från produktens arbetsområde och andra ledande ytor.
- buller och vibration
 - Bär alltid hörselskydd när produkten används. Använd inte produkten under längre tidsperioder.

RISKMINSKNING

Det finns rapporter om att vibrationer från handhållna verktyg kan bidra till ett tillstånd som kallas Raynauds syndrom för vissa personer. Symptomen brukar vara att det sticker i fingrarna och att de domnar bort; fingrarna kan också bli vita, särskilt vid kyla. Årftliga faktorer, kyla och fukt, diet, rökning och arbetsrutiner tros alla bidra till att orsaka dessa symptom. Det finns förebyggande åtgärder som du kan vidta för att försöka minska vibrationernas påverkan:

- Håll dig varm när du arbetar i kallt väder. Använd handskar för att hålla kvar värmen i händer och handleder. Kyla har rapporterats som en viktig del i utvecklandet av Raynauds syndrom.
- Träna och rör på dig efter varje användningstillfälle för att öka blodcirkulationen.
- Ta ofta pauser från arbetet. Begränsa tiden du utsätter dig varje dag.

Upphör omedelbart om du upplever några av dessa symptom och uppsök din läkare.

LÄR KÄNNA DIN PRODUKT

Se *sidan 109*.

1. Snabbinställning (EBS800V)
2. Främre handtag, isolerad greppyta
3. Justeringsknapp för främre handtag
4. Justeringsknapp för sliprem
5. Låsknapp
6. Huvudhandtag, isolerad greppyta
7. Lock för dammlåda
8. Dammlåda
9. Klämman (EBS800V)
10. Avtryckare
11. Spak för lossning av sliprem
12. Stopp för sliprem (EBS800V)
13. Sandpaperbälte
14. Slipram (EBS800V)
15. Justeringsknapp för slipram (EBS800V)

ANVÄNDNING

- Använd inte produkten utan korrekt inpassat bälte. Felaktigt inpassat bälte kan lossna och orsaka personskadorna eller skada på maskinen.

- Säkra arbetsstycket med klämman på lämplig arbetsbänk. Det förhindrar att arbetsstycket kan kastas iväg.
- Använd handtagen för att hålla och styra produkten med båda händerna.
- Använd inte kraft mot verktyget. Använd rätt produkt för applikationen. Rätt produkt gör arbetet enklare och säkrare i den takt som den är avsedd för.
- Tryck inte för hårt med produkten. Låt produktens vikt ge rätt tryck och använd händerna enbart för att styra slipen. För stort tryck överbelastar produkten och skadar motorn. Använda stort tryck slipar inte bort mer material och minskar slipeffekten.
- Byt slipbälte ofta för att upprätthålla produkten förmåga att arbeta effektivt.
- Starta produkten med strömbrytaren och låt bältet komma upp i rätt hastighet. Sänk sedan ned bältet på arbetsstycket. Håll produkten säkert i båda händerna eftersom bältets rörelse drar produkten framåt.
- Välj bälte i rätt storlek och grovlek för uppgiften. Använd bältet med lägre nummer för att ta bort mer material och högre nummer för att ta bort mindre material och slätare yta. Byt ut bältet om det skadas, blir smutsigt eller är slitet.
- Det är normalt att slipa och föra produkten fram och tillbaka längs med ådringen i materialet. Att slipa tvärs ådringen fungerar men resultatet blir en repig och skadad yta.

⚠ VARNING

Damm från viss typ av färg, ytor och material kan skapa irritation eller allergiska reaktioner i andningssystemet. Damm från trä som ek, bok, MDF och annat är cancerframkallande. Material som innehåller asbest får enbart bearbetas av specialutbildade användare.

- Använd dammsamlare eller anslut dammöppningen till suganordning för att minska risker med dammpartiklar.
- Samtliga på arbetsområdet eller i närheten ska bära dammask som ger tillräckligt skydd.
- Använd alltid skyddsglasögon, eller skyddsglas med sidovisir, när du använder produkten.
- Använd slipramen och skyddstillbehör när produkten körs i inverterat läge. Användning av tillbehör hjälper till att styra arbetsstyckets läge och förhindrar kontakt med bältet och rullarna.
- Vid användning i inverterat läge måste produkten vara ordentligt säkrad till lämplig arbetsbänk med tillbehörsklämmorna. Se bilder senare i manualen.

⚠ VARNING

Risk för person- eller slitageskadorna vid användning av verktyget under lång tid. Om verktyget används under längre perioder krävs regelbundna pauser.

UNDERHÅLL

⚠ VARNING

Produkten får aldrig anslutas till strömkälla under montering, justeringar, rengöring, underhåll eller när produkten inte används. Att koppla bort produkten från strömförsörjningen förhindrar oavsiktlig start som kan orsaka allvarliga olycksfall.

⚠ VARNING

Under servicearbete ska enbart tillverkarens originaldelar och -tillbehör användas. Användning av andra delar kan orsaka fara eller produktskada.

⚠ VARNING

Låt aldrig bromsvätska, bensin, petroleumbaserade produkter, penetrerande oljor och liknande komma i kontakt med plastdelar. Dessa kemiska produkter innehåller ämnen som kan skada, försvaga eller förstöra plasten, vilket kunde förorsaka allvarliga kroppsskador.

Undvik att använda lösningsmedel vid rengöring av plastdelar. Fleertalet plaster kan skadas vid användning av vissa lösningsmedel som säljs i affärerna. Använd en ren tygrasa för att torka bort smuts, damm, osv.

Elektriska verktyg som används på glasfiber, gipsplattor eller beklädnadspaneler tenderar att slitas snabbare och få funktionsavbrott i förtid på grund av att spån och sågspån som härstammar från dessa material angriper kugghjul, elborstar, strömbrytare, osv. Vi rekommenderar inte att produkten används under längre tidsperioder på dessa typer av material.

Efter varje användning ska bälte och dammsamlare tas bort. Rengör dammsamlaren enligt bilden i manualen. Rengör produkten noga med borste, torr trasa och dammsugare.

⚠ VARNING

Använd inte tryckluft för att blåsa bort damm från produkten för att undvika ögonskador.

⚠ VARNING

Om strömkabeln skadas ska den bytas ut mot specialkabel eller motsvarande från tillverkaren eller dess serviceombud. Kontakta auktoriserat servicecenter.

För säkerhet och pålitlighet ska alla reparationer utföras av auktoriserat reparationscenter.

Alla lager i det här verktyget är smörjda med tillräckligt mycket högkvalitativt smörjmedel för att räcka under maskinens hela livslängd, vid en normal användning. Därför behövs ingen ytterligare smörjning.

MILJÖSKYDD



Råmaterialen ska återvinnas i stället för att kastas i hushållsavfallet. För att skona miljön ska verktyget, tillbehören och emballagen sorteras.

SYMBOL



Säkerhetsvarning



Volt



Hertz



Växelström



Watt



Tomgångshastighet



Antal varv eller rörelser per minut



CE-konformitet



EurAsian överensstämmelsesymbol



Ukrainskt märke för överensstämmelse



Klass II, dubbelisolerad



Läs alla instruktioner noggrant innan du startar produkten.



Bär hörselskydd.



Använd skyddsglasögon



Gamla elektroniska produkter ska inte kastas med hushållssoporna. Återvinn där sådana faciliteter finns. Kontrollera med din lokala myndighet eller säljaren för att få återvinningsstips.

SYMBOLER I MANUALEN



Notera



Anslut till eluttag.



Koppla bort från eluttag.



Lås



Lås upp



Hastighet, minsta



Hastighet, maximum

Följande signalord och betydelser är tänkta att förklara de olika risknivåerna som är associerade med denna produkt.

 **FARA**

Visar på en direkt riskfylld situation som, om den inte undviks, kan orsaka dödsfall eller allvarlig personskada.

 **VARNING**

Visar på en potentiellt riskfylld situation som, om den inte undviks, kan orsaka dödsfall eller allvarlig personskada.

 **FÖRSIKTIGHET**

Visar på en potentiellt riskfylld situation som, om den inte undviks, kan orsaka mindre eller måttlig personskada.

FÖRSIKTIGHET

(Utan säkerhetssymbolen) Indikerar en situation som kan leda till egendomsskada.



Nauhahiomakoneesi suunnittelussa on pidetty etusijalla turvallisuutta, suorituskykyä ja luotettavuutta.

KÄYTTÖTARKOITUS

Nauhahiomakone on suunniteltu ainoastaan aikuisten käytettäväksi, käyttäjien tulee lukea ja ymmärtää tämän käyttöoppaan ohjeet ja varoitukset, ja heitä on voitava pitää vastuullisina tekemisistään.

Tämä nauhahiomakone on tarkoitettu metalliin, puun, muovin ja vastaavien materiaalien hiontaan. Sillä voidaan myös poistaa maalia, lakkaa ja ruostetta pinnoilta. Tuotetta saa käyttää vain hyvin tuulettussa tilassa.

Tuote on suunniteltu vain kuivahiontaan. Älä käytä tuotetta märkähiontaan.

Nauhahiomakonetta voidaan käyttää käsikäyttötilassa, jolloin käyttäjä liikuttaa sitä manuaalisesti hioittavan työkalupaleen pinnalla. Työkappale tulee kiinnittää tukevalle ja vakaalle alustalle.

Laite on tarkoitettu vain kuluttajille.

Älä käytä tätä tuotetta millään muulla tavalla kuin mihin se on tarkoitettu. Sähkötyökalun käyttö muuhun kuin sille tarkoitettuun työhön voi aiheuttaa vaarallisia tilanteita.

VAROITUS

Erilaisista maaleista, pinnoitteista ja materiaaleista syntyvä pöly saattaa aiheuttaa ärsytystä tai allergisia reaktioita hengitysteissä. Esim. tammen, pyökin ja MDF:n puupöly on karsinogeenistä. Vain asiaan erikoistuneet työntekijät saavat käsitellä tai työstää asbestia sisältäviä materiaaleja.

VAROITUS

Lue tarkkaavaisesti kaikki tämän työkalun kanssa toimitetut varoitukset, ohjeet ja spesifikaatiot, ja katso lisäksi kuvat. Seuraavassa esitettyjen ohjeiden laiminlyönnistä saattaa olla seurauksena onnettomuuksia kuten tulipalot, sähköiskut ja/tai vakavia kehon vammoja.

Säästä kaikki varoitukset ja ohjeet tulevaa käyttöä varten.

YLEISET TYÖALUSTAA KOSKEVAT TURVALLISUUSVAROITUKSET

VAROITUS

Lue tarkkaan työalustan ja asennettavien sähkötyökalujen mukana tulleet turvallisuusvaroitukset ja ohjeet. ten ja ohjeiden laiminlyönnistä voi seurata sähköisku, tulipalo ja/tai vakava loukkaantuminen.

- **Säilytä nämä varoitukset ja ohjeet myöhempiä tarvetta varten.**
- Turvallisuusohjeissa käytetty "sähkötyökalu" termi tarkoittaa sekä verkkovirtaan kytkettäviä että johdottomia työkaluja.

- **Irrrota kosketin virtalähteestä ja/tai akkupaketti sähkötyökalusta aina ennen säätämistä tai lisävarusteiden vaihtamista.** Sähkötyökalun tahaton käynnistyminen aiheuttaa onnettomuuksia.
- **Kokoa työasema huolellisesti ennen työkalun asentamista.** Huolellinen kokoonpano on tärkeää kaatumisen estämiseksi.
- **Kiinnitä sähkötyökalu työalustaan turvallisesti ennen käytön aloittamista.** Sähkötyökalun siirtyminen työalustalla voi aiheuttaa laitteen hallinnan menetyksen.
- **Sijoita työalusta tukevalle, tasaiselle ja vakaalle pinnalle.** Jos työalusta pääsee siirtymään tai hypähtämään paikaltaan, sähkötyökalu tai työstettävä kappale ei ole silloin vakaasti ja turvallisesti hallinnassa.
- **Älä kuormita työalustaa liikaa, älä myöskään käytä sitä tikaina tai telineen.** Työalustan liikkauormitus tai sen päällä seisominen tekee alustan yläpäästään liian painavaksi, jolloin se helposti keikahtaa kumoon.

HIOMAKONEEN TURVALLISUUSVAROITUKSET

- **Pitele sähkötyökalua eristetyistä tartuntapinnoista, sillä hiomapinta voi koskettaa omaa johtoaan.** Jos laite leikkaa sähköistettyä johtoa, sähkötyökalun metalliosat voivat sähköistyä ja aiheuttaa käyttäjälle sähköiskun.

MUITA TURVALLISUUSVAROITUKSIA

- **Kiinnitä työkalupale paikoilleen puristimella.** Kiinnittämätön työkalupale voi aiheuttaa vakavan vamman ja vaurioita. Älä pitele hiomaasi materiaalia kädessä.
- **Älä käytä tarpeellista suurempaa hiomanauhaa.**
- **Käytä aina suojalaseja ja pölynaamaria.**
- **Työhön sopivaa hengityssuojainta on käytettävä, kun hiotaan lyijymaalia, jotain puupintoja ja metallia, jotta vältytään haitallisen/myrkyllisen pölyn tai ilman hengittämiseltä.**

KÄYTÖN RISKIT

Vaikka tuotetta käytettäisiin ohjeiden mukaisesti, ei ole mahdollista täysin eliminoida tiettyjä käyttöön liittyviä riskitekijöitä. Käytössä voi aiheutua seuraavia vaaroja, ja käyttäjän tulee kiinnittää erityistä huomiota niiden välttämiseen:

- takertuminen tai kosketus liukuvaan nauhaan
 - Erityistä varovaisuutta tarvitaan, jotta käyttäjän sormet ja kädet eivät joudu kosketuksiin hiomanauhan kanssa tai jää telojen väliin. Käytä ohjainta aina kun mahdollista, jotta työkalupaltoa on helpompi hallita ja jotta välttyt takertumisen pyörivään rullaan.
- Pölyn aiheuttama vamma
 - Tuotteen käyttö synnyttää huomattavan määrän pölyä ja hienoja hiukkasia. Käytä pölynkeruulaitetta tai kytke pölynpoistimuri, kun käytät tuotetta. Käytä suodattimella varustettua pölynaamaria, joka sopii käsiteltävälle materiaalille. Huolehdi työpaikalla riittävästä tuuletuksesta. Älä syö, juo tai tupakoi työalueella. Työstä vain Tarkoitettu käyttö -osiossa



määriteltyjä materiaaleja. Älä käytä materiaaleissa (kuten asbestissa), joista aiheutuu terveysriski.

- räjähdysvaara
 - Kerääntynyt hieno pöly voi syttyä ja aiheuttaa tulipalon. Pidä työalue puhtaana ja pölyttömänä. Pölynkeräys- ja imujärjestelmä tulee puhdistaa huolella säännöllisesti. Metallia hiottaessa saattaa syntyä kipinöitä.
- sähköisku
 - Pidä virta- ja jatkojohdot loitolla koneen käyttöalueesta ja muista johtavista pinoista.
- melu ja värinä
 - Käytä aina kuulosuojaimia käyttäessäsi tuotetta. Älä käytä tuotetta pitkiä aikoja.

RISKIEN VÄHENTÄMINEN

Raporttien mukaan käsikäyttöisten laitteiden värinä voi joidenkin kohdalla myötävaikuttaa Raynaud's Syndromen (Raynauodin oireen) ilmenemiseen. Oireita ovat pistely, turtuus ja sormien kalpeneminen, yleensä kylmässä ilmassa. Perinnölliset tekijät, kylmyys ja kosteus, ruokavalio, tupakointi sekä työtavat voivat kaikki myötävaikuttaa näiden oireiden ilmenemiseen. Käyttäjä voi ehkäistä värinän aiheuttamia vaikutuksia seuraavasti:

- Pidä itsesi lämpimänä kylmällä säällä. Käytä laitteen käytön aikana käsineitä, jotta kätesi ja ranteesi pysyvät lämpöisinä. Raporttien mukaan kylmä ilma on tärkeä tekijä Raynaud's Syndromen (Raunauodin oireiden) ilmenemisessä.
- Harjoita kunkin käyttöjakson jälkeen liikuntaa, jotta verenkierto lisääntyi.
- Pidä työn aikana säännöllisesti taukoja. Rajoita päivittäisen värinän määrä.

Jos mitään yllä mainittuja oireita ilmenee, lopeta heti laitteen käyttö ja kerro oireista lääkärille.

TUNNE TUOTTEESI

Katso sivu 109.

1. Nopeudensäädin (EBS800V)
2. Etukahva, eristetty tartuntapinta
3. Etukahvan säätöpainike
4. Hiomahihnan säätönappi
5. Lukituspainike
6. Pääkahva, eristetty tartuntapinta
7. Pölykotelon kansi
8. Pölykotelo
9. Puristin (EBS800V)
10. Liipaisin
11. Hiomahihnan hellitysvipu
12. Penkkihionnan pysäytin (EBS800V)
13. Hiomakoneen hihna
14. Hiomakehys (EBS800V)
15. Hiomakehynsä säätönappi (EBS800V)

KÄYTTÖ

- Älä käytä tuotetta ilman asianmukaisesti ohjautuvaa ja istuvaa nauhaa. Virheellisesti ohjautuva nauha voi irrota tuotteesta ja aiheuttaa loukkaantumisen tai vioittaa hiomakonetta.

- Kiinnitä työkappale ruuvipenkillä tai puristimella sopivaan työpenkkiin. Tämä estää työkappaletta sinkoutumasta.
- Pitele ja hallitse tuotetta pitelemällä sitä kahvoista molemmin käsin.
- Älä pakota laitetta. Käytä sovellukseesi sopiva a tuotetta. Asianmukainen tuote hoitaa työt paremmin ja turvallisemmin sillä vauhdilla, jota varten se on suunniteltu.
- Älä paina tuotetta liikaa. Anna tuotteen painon kohdistaa asianmukainen paine ja ohjaa hiomakonetta käsin. Liiallinen paine ylikuormittaa tuotetta ja vioittaa moottoria. Suurempi paine ei poista materiaalia tehokkaammin vaan sen sijaan heikentää hiomatehoa.
- Vaihda hiomanauha usein, jotta tuotteen kyky poistaa materiaalia tehokkaasti säilyy.
- Käynnistä tuote liipaisimella ja anna nauhan saavuttaa oikea nopeus. Laske sitten nauha työkappaleen pinnalle. Pitele tuotetta tukevasti molemmin käsin, koska nauhan liike vetää tuotetta eteenpäin.
- Valitse työlle oikean kokoinen ja karkeuksinen nauha. Käytä pienemmällä karkeusarvolla merkittyjä nauhoja poistamaan materiaalia tehokkaammin ja suuremmalla karkeusarvolla merkittyjä nauhoja poistamaan materiaalia vähemmän ja tuottamaan tasaisempi pinta. Vaihda hihna, jos se vioittuu, tukkeutuu roskien takia tai kuluu.
- Tuotetta voidaan hiottaessa liikutella edestakaisin materiaalin syiden suuntaisesti. Syiden poikki hionta toimii, mutta tällöin pinnasta tulee naarmuinen ja vioittunut.

VAROITUS

Erilaisista maaleista, pinnoitteista ja materiaaleista syntyvä pöly saattaa aiheuttaa ärsytystä tai allergisia reaktioita hengitysteissä. Esim. tammen, pyökin ja MDF:n puupöly on karsinogeenistä. Vain asiaan erikoistuneet työntekijät saavat käsitellä tai työstää asbestia sisältäviä materiaaleja.

- Käytä pölynkerääjää tai kytkte pölyaukko pölynimuriin pienentääksesi pölyhiukkasiin liittyviä riskejä.
- Jokaisen työalueella tai sen lähellä oleskelevan tulee käyttää pölynaamaria, joka tarjoaa asianmukaisen suojauksen.
- Käytä aina konetta käyttäessäsi sivuilta suojattuja suojalaseja.
- Käytä hiontakehystä ja ohjainta käyttäessäsi tuotetta ylösalaisessa tilassa. Lisävarusteiden käyttö auttaa hallitsemaan työkappaleen asentoa ja estää tahattoman kosketuksen liikkuvaan hihnaan ja rulliin.
- Ylösalaisessa tilassa käytettynä tuote on kiinnitettävä asianmukaisesti sopivaan työpenkkiin tuotteen mukana tulleilla puristimilla. Viittaa tämän oppaan kuvaohjeisiin.



VAROITUS

Laitteen pitkittynyt käyttö voi aiheuttaa tai vaikeuttaa vammoja. Kun käytät mitä tahansa laitetta pitkiä aikoja, muista pitää säännöllisiä taukoja.

HUOLTO

VAROITUS

Tuotetta ei tule koskaan kytkeä pistorasiaan osia koottaessa, säätöjä tehtäessä, puhdistettaessa, huollon aikana tai kun tuotetta ei aiota käyttää. Laitteen irrottaminen virtalähteestä estää vahingossa tapahtuvan käynnistymisen, mikä voi aiheuttaa vakavan loukkaantumisen.

VAROITUS

Käytä huollossa ainoastaan alkuperäisiä valmistajan tuottamia varaosia, lisälaitteita ja lisävarusteita. Muunlaisten osien käyttö voi aiheuttaa vaaran tai vioittaa laitetta.

VAROITUS

Älä koskaan päästä jarrunesteitä, bensiiniä, öljytuotteita, läpäiseviä öljyjä tms. kosketuksiin muoviosien kanssa. Nämä kemialliset tuotteet sisältävät aineita, jotka voivat vaurioittaa, heikentää tai tuhota muovin minkä seurauksena voi aiheutua vakavia ruumiinvammoja.

Älä puhdista muoviosia liuottimilla. Suurin osa muoveista ei siedä markkinoilla olevia määrättyjä liuotteita, jotka vahingoittavat niitä. Käytä puhdasta riepua lian, pölyn jne. puhdistukseen.

Lasikuidun, kipsin, pinnotteiden ja laastin käsittelyyn käytetyillä sähkötyökaluilla on taipumus kulua nopeammin, ja ne saattavat rikkoutua nopeammin sen takia, että lasikuitulastut ja hiomapöly kuluttavat laakereita, harjoja, kollektoreja jne. nopeasti. Emme suosittele, että tuotetta käytetään pitkiä aikoja tämän tyyppisten materiaalien kanssa.

Poista aina käytön jälkeen hihna ja pölynkerääjä, jos sitä käytetään. Puhdista pölynkerääjä tämän oppaan kuvien mukaisesti. Puhdista tuote huolella harjalla, kuivalla liinalla ja pölynimurilla.

VAROITUS

Älä puhalla pölyä tuotteesta paineilmalla, jotta vältyt vakavilta silmävammoilta.

VAROITUS

Jos virtajohto vioittuu, se on vaihdettava valmistajalta tai sen edustajalta saatavaan erikoisjohtoon tai kokoonpanoon. Ota yhteys valtuutettuun huoltoon.

- Jotta laite toimisi turvallisesti ja luotettavasti, kaikki korjaukset tulee antaa valtuutetun huoltopisteen hoidettavaksi.

Kaikki laitteen laakerit on voideltu laitteen eliniäksi normaaliolosuhteissa riittävällä määrällä korkealaatuista voiteluainetta. Tästä syystä työkalu ei kaipaa lisävoitelua.

YMPÄRISTÖNSUOJELU



Älä hävitä raaka-aineita jätteinä vaan vie ne kierrätykseen. Ympäristönsuojelun kannalta työkalu, lisäva r usteet ja pakkausmateriaali on lajiteltava.

SYMBOLI



Turvavaroitus

V

Voltti

Hz

Hertz

~

Vaihtovirta

W

Watti

n_r

Tyhjäkäyntinopeus

min⁻¹

Kierrosten tai liikkeiden määrä minuutissa



CE-vastaavuus



EurAsian-vaatimustenmukaisuusmerkki



Ukrainalainen säädöstenmukaisuusmerkintä

001



Luokka II, kaksoiseristetty



Lue ohjeet huolella ennen laitteen käyttöä.



Käytä kuulosuojaimia



Käytä suojalaseja



Käytöstä poistettavia sähkölaitteita ei pidä hävittää talusjätteiden mukana. Ne on mahdollisuuksien mukaan pantava kiertoon. Kierrätysohjeita antavat kunnan viranomaiset ja vähittäiskauppiat.

KÄSIKIRJAN SYMBOLIT



Huom



Kytke virtalähteeseen.

- EN
- FR
- DE
- ES
- IT
- NL
- PT
- DA
- SV
- FI
- NO
- RU
- PL
- CS
- HU
- RO
- LV
- LT
- ET
- HR
- SL
- SK
- BG
- UK
- TR
- EL





Irrota virtalähteestä.



Lukko



Avaa



Nopeus, pienin



Nopeus, maksimimomentti

Seuraavat signaalisanat ja merkitykset on tarkoitettu selittämään tähän tuotteeseen liittyviä riskin tasoja.

 **VAARA**

Ilmoittaa välittömästä vaaratilanteesta, joka saattaa aiheuttaa kuoleman tai vakavan vamman.

 **VAROITUS**

Ilmoittaa mahdollisesta vaaratilanteesta, joka saattaa aiheuttaa kuoleman tai vakavan vamman.

 **VAROITUS**

Ilmoittaa mahdollisesta vaaratilanteesta, joka saattaa aiheuttaa pienen tai kohtalaisen vamman.

VAROITUS

(Ilman varoitusmerkkiä) Tilanne, joka voi aiheuttaa materiaalista vahinkoa.



Sikkerhet, ytelse og driftssikkerhet er gitt topp prioritet i konstruksjonen av din båndsliper.

TILTENKT BRUK

Båndsliperen skal bare brukes av voksne som har lest og forstått instruksjonene og advarslene i denne håndboken, og som kan anses som ansvarlig for handlingene sine.

Produktet er beregnet for sliping av metall, tre, plast eller lignende materialer. Den kan også fjerne maling, lakk og korrosjon fra overflater. Dette produktet må bare brukes i et godt ventilerte områder.

Produktet er kun ment for tørrsliping. Ikke bruk maskinen til våtsliping.

Båndslipemaskinen kan brukes i håndholdt modus der operatøren flytter maskinen manuelt til arbeidsstykket som skal behandles. Arbeidsstykket må festes til en solid og stabil plattform.

Båndslipemaskinen kan også brukes stasjonært ved at den festes til en arbeidsbenk med tilbehøret som medfølger fra produsenten. Når båndslipemaskinen brukes stasjonært fører operatøren arbeidsstykket som skal behandles over slipebåndet.

Produktet er kun beregnet til bruk av konsumenter.

Ikke bruk produktet på noe annen måte enn det som er beskrevet som tiltenkt bruk. Bruk av elektrisk verktøy på en måte det ikke var tiltenkt kan skape farlige situasjoner.

⚠ ADVARSEL

Støv fra visse malingstyper, belegg og materialer vil kunne skape irritasjoner eller allergiske reaksjoner i åndedrettssystemet. Støv fra tresorter som eik, bjørk, fiberplater og andre er kreftfremkallende. Materialer som inneholder må kun bearbeides av kvalifiserte spesialoperatører.

⚠ ADVARSEL

Les nøye gjennom alle advarslene, instruksene og spesifikasjonene som følger med verktøyet, og se på tegningene. Hvis forskriftene nedenfor ikke overholdes, kan det forårsake ulykker som brann, elektrisk støt og/eller alvorlige personskader.

Ta vare på alle advarsler og anvisninger for senere bruk.

GENERELLE SIKKERHETSADVARSLER FOR ARBEIDSBENKEN

⚠ ADVARSEL

Les alle sikkerhetsadvarsler og alle instruksjonene som følger med arbeidsbenken og det elektriske verktøyet som skal monteres. Dersom man ikke holder seg til advarsler og instruksjoner kan det føre til elektrisk støt, brann og/eller alvorlig personskade.

- Ta vare på disse advarslene og instruksjonene for å se i dem senere.

- Ordet “elektroverktøy” som brukes i sikkerhetsforskriftene nedenfor betegner både elektroverktøy med ledning og elektroverktøy uten ledning.
- **Koble støpselet fra strømkilden og/eller batteripakken fra verktøyet før du foretar justeringer eller bytte av tilbehør.** Utsikket start av det elektriske verktøyet kan forårsake ulykker.
- **Monter arbeidsbenken på riktig måte før du monterer verktøyet.** Riktig montering er viktig for å forhindre at arbeidsbenken faller sammen.
- **Fest det elektriske verktøyet ordentlig til arbeidsbenken før bruk.** Dersom det elektroniske verktøyet beveger seg på arbeidsbenken kan du miste kontrollen.
- **Plasser arbeidsbenken på et solid, flatt og jevnt underlag.** Dersom arbeidsbenken forskyves eller beveger seg kan du ikke kontrollere det elektroniske verktøyet eller arbeidsstykket på en forsvarlig og jevn måte.
- **Ikke overbelast arbeidsbenken eller bruk som stige eller stilas.** Overbelastning eller å stå på arbeidsbenken kan føre at benken blir «topptung» og kan velte.

SIKKERHETSADVARSLER FOR BÅNDSLIPEMASKIN

- **Hold det elektriske verktøyet i de isolerte gripeoverflatene, ettersom slipeoverflaten kan komme i kontakt med sin egen ledning.** Dersom en strømførende ledning klippes over kan metalldelene på verktøyet også bli strømførende og gi brukeren elektrisk støt.

SPESIELLE SIKKERHETSADVARSLER

- **Fest arbeidsstykket med en tvinge.** Ikke festede emner kan påføre alvorlig personskade og materielle skader. Ikke hold materialet du skal slippe i hånden.
- **Ikke bruk et slipebælte som er større enn nødvendig.**
- **Bruk alltid vernebriller og støvmaske.**
- **Du må bruke en egnet støvmaske når du sliper flater som er dekket med blyholdig maling og enkelte treslag og metaller, for ikke å puste inn giftig støv eller damp.**

GJENVÆRENDE RISIKO

Også når produktet brukes som beskrevet, er det ikke mulig å utelukke risiko for brukere eller personer i nærheten. Følgende farer kan oppstå ved bruk og operatøren bør være spesielt oppmerksom på å unngå/sikre følgende:

- blokkering eller kontakt med det bevegelige båndet
 - Spesiell under invertert drift må ekstra forsiktighet utvises for å forhindre fingre og hender fra å komme i kontakt med slipebåndet eller låses fast i rullene. Bruk innrammingsstutstyret når det er mulig for å kontrollere arbeidsstykket og unngå kontakt med de bevegelige rullene.
- Skader skapt av støv.
 - Bruken av produktet vil skape betydelige mengder

EN
FR
DE
ES
IT
NL
PT
DA
SV
FI
NO
RU
PL
CS
HU
RO
LV
LT
ET
HR
SL
SK
BG
UK
TR
EL



støv og fine partikler. Bruk en støvoppsamler eller kople produktet til en støvsuger når det brukes. Bruk åndedrettsbeskyttelse med filter som er tilpasset materialene det arbeides på. Sørg for tilfredsstillende ventilasjon av arbeidsområdet. Ikke spis, drikk eller røyk i arbeidsområdet. Brukes kun på materialer som er spesifisert i avsnittet Tiltenkt bruk. Ikke bruk på materialer (for eksempel asbest) som representerer en helsefare.

- Risiko for eksplosjon
 - Oppsamlet fint støv kan antennes og føre til brann. Hold arbeidsområdet rent og ryddig. Støvoppsamling og støvsugersystem må rengjøres regelmessig og grundig. Nr metall slipes kan det utløse varme gnister.
- elektriske støt
 - Hold strøm- og skjøteledninger borte fra arbeidsområdet til produktet og andre ledende overflater.
- støy og vibrasjoner
 - Benytt alltid hørselvern når dette produktet brukes. Ikke bruk produktet sammenhengende over lang tid.

FAREREDUKSJON

Det foreligger rapporter om at vibrasjoner fra håndholdt verktøy for enkelte personer kan bidra til en tilstand som kalles Raynauds Syndrome. Symptomene kan omfatte følelsesløshet og gjøre fingrene bleke, vanligvis synlig ved eksponering til lave temperaturer. Arvelige faktorer, eksponering mot lave temperaturer og fuktighet, diett, røyking og arbeidspraksis blir alle ansett for å kunne bidra til å utvikle disse symptomene. Brukeren kan iverksette tiltak for mulig å redusere virkningene av vibrasjonene:

- Hold kroppen din varm i kaldt vær. Bruk hansker og hold hender og vrister varme ved bruk av gressklipperen. Det er rapportert at kaldt vær er en viktig faktor som bidrar til Raynauds Syndrome.
- Etter hver arbeidsperiode bør det utføres øvelser for å øke blodsirkulasjonen.
- Ta ofte pauser fra arbeidet som utføres. Begrens mengden av eksponering pr. dag.

Hvis du opplever noen av symptomene på denne tilstanden må du øyeblikkelig avbryte arbeidet og oppsøke en lege med disse symptomene.

KJENN PRODUKTET DITT

Se side 109.

1. Hurtigjusteringsskive (EBS800V)
2. Fronthåndtak, isolert gripeoverflate
3. Justeringsknapp for fronthåndtak
4. Justeringsknapp for slipebelte
5. Låseknapp
6. Hovedhåndtak, isolert gripeoverflate
7. Støvbokseksel
8. Støvboks
9. Klemme (EBS800V)
10. Avtrekker
11. Frigjøringspak for slipebelte
12. Benkslipestopper (EBS800V)

13. Sandpapirbelte
14. Sliperamme (EBS800V)
15. Justeringsknapp for sliperamme (EBS800V)

BRUK

- Ikke bruk produktet uten et korrekt montert slipebånd. Et feilmontert slipebånd kan løsne og føre til personskaade eller skade på slipemaskinen.
- Fest arbeidsstykket med en tvinge eller til en klemme på en passende arbeidsbenk. Dette hindrer at arbeidsstykket kan komme i bevegelse eller bli kastet ut.
- Bruk de medfølgende håndtakene til å holde og kontrollere produktet med begge hender.
- Ikke press verktøyet. Bruk korrekt verktøy for jobben som skal gjøres. Riktig elektrisk verktøy vil gjøre jobben bedre og tryggere når det brukes slik det var tiltenkt.
- Ikke bruk for mye trykk på produktet. La vekten av produktet påføre arbeidsstykket korrekt trykk og bru hendene til å styre slipemaskinen. For mye trykk vil overbelaste og kunne skade motoren. Bruk av mer trykk vil ikke fjerne mer materiale men vil i stedet redusere slipeeffekten.
- Skift slipebånd ofte for å beholde produktets evne til effektiv fjerning av materiale.
- Start produktet med avtrekkerbryteren og la båndet oppnå korrekt arbeidshastighet. Senk så slipebåndet ned til arbeidsstykket. Hold produktet forsvarlig fast med begge hender siden bevegelsen av slipebåndet vil drive produktet framover.
- Velg et slipebånd med korrekt størrelse og grovhet for oppgaven som skal utføres. Bruk slipebånd med lavere korningsgrad for å fjerne mer materiale; høyere korningsgrad for å fjerne mindre materiale og oppnå en glattere overflate. Erstatt slipebåndet dersom det skades, pakkes med materialer fra arbeidsstykket eller blir slitt.
- Det er normalt å slipe og bevege produktet fram og tilbake langs strukturen i materialet. Sliping på tvers av strukturen lar seg gjøre, men vil ofte etterlate seg riper og skader i overflaten.

⚠ ADVARSEL

Støv fra visse malingtyper, belegg og materialer vil kunne skape irritasjoner eller allergiske reaksjoner i åndedrettssystemet. Støv fra tresorter som eik, bjørk, fiberplater og andre er kreftfremkallende. Materialer som inneholder må kun bearbeides av kvalifiserte spesialoperatører.

- Bruk støvoppsamler eller kople støvporten til et sugeapparat for å redusere risikoen forbundet med støvpartikler.
- Alle personer innen eller i nærheten av arbeidsområdet må ha støvmaske som gir passende beskyttelse.
- Anvend alltid beskyttelsesbriller eller sikkerhetsbriller når du bruker sagen.
- Bruk sliperamme og innrammingsutstyret når produktet brukes for stasjonær drift. Bruk av tilbehøret bidrar til

å kontrollere arbeidsstykket og hindre utilsiktet kontakt med slipebåndet og rullene.

- Når produktet brukes som stasjonær enhet må det festes forsvarlig til en arbeidsbenk med de medfølgende klemmene. Se grafiske instruksjoner senere i denne manualen.

⚠ ADVARSEL

Skader kan oppstå eller forsterkes ved forlenget bruk av et verktøy. Når du bruker et verktøy over en lenger tidsperiode, husk å ta regelmessige pauser.

VEDLIKEHOLD

⚠ ADVARSEL

Produktet skal aldri kobles til en strømforsyning mens du monterer på deler, gjør justeringer, rengjør, utfører vedlikehold eller når produktet ikke er i bruk. Koble verktøyet fra strømmen slik at du unngår at det utilsiktet starter, noe som kan føre til alvorlige skader.

⚠ ADVARSEL

For service av maskinen, bruk kun produsentens originale reservedeler, tilleggsutstyr og påsatsler. Bruk av andre deler kan skape fare eller føre til skade på produktet.

⚠ ADVARSEL

Du må aldri la bremsevæske, drivstoff, petroleumbaserte produkter, rustopløsende olje osv. komme i kontakt med plastikkdeler. Slike kjemiske produkter inneholder stoffer som kan skade, svekke eller ødelegge platen, noe som kan medføre alvorlige kroppsskader.

Unngå bruk av løsemidler når du rengjør plastdelene. De fleste plastmaterialene kan skades ved bruk av løsningsmidlene som fås i handelen. Bruk en ren klut til å tørke bort smuss, støv osv.

Elektroverktøy som brukes på glassfibermaterialer, sponplater og belysningspaneler slites hurtigere og svikter tidligere siden flis og spon fra disse materialene er meget slipende for enkelte deler av elektriske verktøy som lagere, børster, brytere osv. Vi anbefaler ikke at produktet brukes over lengre tid på slike typer materialer.

Etter hver gangs bruk må båndet og støvoppsamleren - hvis slikt er montert - fjernes. Rengjør støvoppsamleren som vist på illustrasjonene i denne manualen. Rengjør produktet grundig med en børste, tørr klut eller støvsuger.

⚠ ADVARSEL

Ikke bruk trykkluft for å fjerne støv fra produktet idet dette kan føre til alvorlige øyeskader.

⚠ ADVARSEL

Hvis strømledningen blir skadet, må den skiftes ut med en spesialledning eller komponent som fås hos produsenten eller dens serviceforhandler. Kontakt et autorisert servicesenter.

For bedre sikkerhet og pålitelighet skal alle reparasjoner utføres av et autorisert verksted.

Alle lagere i verktøyet er smurt med en passende mengde høykvalitets smøring for maskinens levetid under normale driftsforhold. Det er derfor unødvendig med tilleggsmøring.

MILJØVERN



Resirkuler råmaterialer istedenfor å kaste dem i søppelen. Verktøyet, tilbehørene og emballasjen bør sorteres for miljøvennlig resirkulering.

SYMBOL



Sikkerhetsalarm

V

Volt

Hz

Hertz

~

Vekselstrøm

W

Watt

n₀

Hastighet ubelastet

min⁻¹

Antall omdreininger eller bevegelser pr. Minutt



CE samsvar



EurAsian Konformitetstegnet



Ukrainsk merke for konformitet



Class II, dobbeltisoleret



Les instruksjonene nøye før apparatet tas i bruk.



Bruk hørselsvern



Bruk øyeskytelse



Avfall fra elektriske produkter skal ikke kastes sammen med husholdningsavfall. Vennligst resirkulere vedeksisterende avfallsbehandlingssted. Undersøk hos dine lokale myndigheter eller forhandler for råd om resirkulering.

SYMBOLER I MANUALEN



NB



Koble til strømnettet.



Koble fra strømnettet.



Lås



Låse opp



Hastighet, minimum



Hastighet, maks

Følgende symboler og betydninger forklarer risikonivået som er assosiert med dette produktet.

FARE

Indikerer en umiddelbart farlig situasjon, som, dersom den ikke unngås, kan føre til alvorlig personskade eller død.

ADVARSEL

Indikerer en potensiell farlig situasjon, som, dersom den ikke unngås, kan føre til alvorlig personskade eller død.

ADVARSEL

Indikerer en potensiell farlig situasjon, som, dersom den ikke unngås, kan føre til mindre eller moderate skader.

ADVARSEL

(Uten sikkerhetssymbol) Indikerer en situasjon som kan resultere i skader på eiendom.

При разработке этой ленточной шлифмашины особое внимание уделялось безопасности, производительности и надежности.

НАЗНАЧЕНИЕ

К использованию ленточной шлифовальной машины допускаются только совершеннолетние, способные нести ответственность за свои действия, после изучения инструкций и предостережений в настоящем руководстве.

Изделие предназначено для шлифовки металла, дерева, пластика и аналогичных материалов. Она также очищает поверхность от краски, лака и следов коррозии. Используйте данное изделие только в хорошо проветриваемых помещениях.

Изделие предназначено для сухого шлифования. Не используйте изделие для влажного шлифования.

Ленточная шлифмашина может использоваться в ручном режиме и перемещаться оператором вручную по шлифуемой поверхности. Заготовка должна быть закреплена на прочном и стабильном основании.

Ленточная шлифмашина может использоваться в инверторном режиме, когда она закреплена на верстаке с помощью прилагаемых производителем принадлежностей. В инверторном режиме оператор направляет обрабатываемую заготовку на шлифовальную ленту.

Изделие предназначено только для личного использования.

Используйте устройство строго по назначению, указанному в настоящем руководстве. Использование данного электроинструмента не по назначению может создать опасную ситуацию.

⚠ ОСТОРОЖНО

Пыль, представляющая собой частицы определенных красок, покрытий и материалов, может вызвать раздражение или аллергические реакции дыхательной системы. Пыль от дуба, бука, МДФ и прочей древесины является канцерогенной. К обработке материалов, содержащих асбест, допускаются только опытные квалифицированные операторы.

⚠ ОСТОРОЖНО

Прочтите все указания, инструкции, иллюстрации и спецификации, поставляемый с этим электроинструментом. Несоблюдение всех инструкций, указанных ниже, может привести к поражению электрическим током, пожару и / или серьезным травмам.

Сохраните все предупреждения и инструкции для дальнейшего использования.

ОБЩИЕ ТРЕБОВАНИЯ БЕЗОПАСНОСТИ К РАБОЧЕЙ СТОЙКЕ

⚠ ОСТОРОЖНО

Прочтите все требования безопасности и инструкции к рабочей стойке и закрепляемому на ней электроинструменту. Несоблюдение предостережений и инструкций может привести к поражению электрическим током, возгоранию и/или серьезным травмам.

- **Сохраните все предупреждения и инструкции для дальнейшего использования.**
- Правила техники Безопасности для электрических инструментов относятся также и к аккумуляторным инструментам.
- **Перед началом регулировки или замены принадлежностей отключите инструмент от источника питания и/или извлеките аккумуляторы.** Случайный пуск электроинструмента может стать причиной травмы.
- **Перед креплением инструмента установите рабочую стойку соответствующим образом.** Правильная установка рабочей стойки важна для предотвращения риска падения.
- **Перед использованием электроинструмента прочно закрепите его на рабочей стойке.** Смещение электроинструмента на рабочей стойке может привести к потере управления.
- **Установите рабочую стойку на твердую, плоскую и ровную поверхность.** При смещении или качании рабочей стойки невозможно осуществлять достаточно устойчивый и безопасный контроль за электроинструментом и обрабатываемым объектом.
- **Не перегружайте рабочую стойку и не используйте ее в качестве лестницы или помоста.** Нельзя перегружать рабочую стойку или вставать на нее, в противном случае она может перевернуться.

ПРЕДОСТЕРЕЖЕНИЯ ОТНОСИТЕЛЬНО БЕЗОПАСНОГО ИСПОЛЬЗОВАНИЯ ЛЕНТОЧНОЙ ШЛИФМАШИНЫ

- **Удерживайте инструмент только за изолированные захватные поверхности, поскольку внутри шлифовальная поверхность может задеть шнур изделия.** При повреждении провода, находящегося под напряжением, металлические части инструмента также могут оказаться под напряжением, что может привести к поражению работающего электрическим током.

ДОПОЛНИТЕЛЬНЫЕ ПРЕДУПРЕЖДЕНИЯ ПО ТЕХНИКЕ БЕЗОПАСНОСТИ

- **Зажимайте обрабатываемое изделие зажимным устройством.** Незажатые обрабатываемые изделия могут стать причиной тяжелых травм и повреждений. Не держите шлифуемый материал рукой.

EN
FR
DE
ES
IT
NL
PT
DA
SV
FI
NO
RU
PL
CS
HU
RO
LV
LT
ET
HR
SL
SK
BG
UK
TR
EL



- Не используйте абразивную ленту дольше, чем предусмотрено.
- Всегда носите защитные очки и респиратор.
- Во время шлифования поверхностей, покрытых свинцовыми белилами, некоторых пород древесины и металлических изделий необходимо надевать подходящий респиратор, чтобы предотвратить вдыхание вредной/токсичной пыли или воздуха.

ОСТАТОЧНЫЕ РИСКИ

Даже когда изделие используют согласно инструкциям, невозможно полностью устранить факторы риска. Следующие опасности могут возникнуть во время его использования, и во избежание их рабочий должен обратить особое внимание на следующее:

- захват или контакт с движущейся лентой
 - Необходимо соблюдать особую осторожность, особенно во время обратной работы, не допуская контакта пальцев и кистей рук оператора с абразивным ремнем, а также их попадания в пространство между роликами. По возможности используйте ограждение, чтобы лучше контролировать заготовку и не допускать захвата движущимся роликом.
- Травмы, вызываемые пылью
 - В результате использования данного изделия появляется значительное количество пыли и мелких частиц. Используйте устройство сбора пыли или подключайте пылеотсос при эксплуатации изделия. Носите респираторы, содержащие фильтры, соответствующие обрабатываемым материалам. Обеспечьте надлежащую вентиляцию на рабочем месте. Не ешьте, не пейте и не курите в рабочей зоне. Допускается обработка только материалов, указанных в разделе «Назначение». Не работайте с материалами (например, асбестом), которые представляют опасность для здоровья.
- опасность взрыва
 - Накопленная пыль может воспламениться и вызвать пожар. Рабочая зона должна быть чистой и без пыли. Устройства сбора пыли и вакуумного отсасывания следует регулярно и тщательно чистить. При шлифовании металла могут появиться горячие искры.
- поражение электрическим током
 - Держите шнуры питания и удлинительные кабели за пределами рабочей зоны изделия и в стороне от других токопроводящих поверхностей.
- шум и вибрация
 - Работайте в защитных очках при эксплуатации изделия. Не эксплуатируйте изделие в течение длительного периода времени без перерыва.

СНИЖЕНИЕ РИСКА

Считается, что вибрация ручного инструмента может привести к проявлению у отдельных лиц так

называемой болезни Рейно (Raynaud's Syndrome). К симптомам могут относиться покалывание, онемение и побеление пальцев (как при переохлаждении). Считают, что наследственные факторы, охлаждение и влажность, диета, курение и практический опыт способствуют развитию этих симптомов. Ниже приводятся меры, которые может принять оператор для снижения воздействия вибрации:

- Одевайтесь теплее в холодную погоду. При работе с устройством пользуйтесь перчатками, чтобы руки и запястья были в тепле. Считается, что холодная погода является основным фактором, способствующим возникновению болезни Рейно (Raynaud's Syndrome).
- После каждого этапа работы выполните упражнения для усиления кровообращения.
- Чаще делайте перерывы в работе. Сократите длительность ежедневного пребывания на открытом воздухе.

При появлении каких-либо из указанных симптомов сразу же прекратите работу и обратитесь по их поводу к врачу.

ИЗУЧИТЕ УСТРОЙСТВО

Стр 109.

1. Быстрый набор (EBS800V)
2. Передняя ручка, изолированная поверхность захвата
3. Кнопка регулировки передней ручки
4. Ручка регулировки шлифовальной ленты
5. Кнопка блокировки
6. Основная ручка, изолированная поверхность захвата
7. Крышка пылесборника
8. Пылесборник
9. Зажим (EBS800V)
10. Курок
11. Рычаг освобождения шлифовальной ленты
12. Стопор (EBS800V)
13. Абразивная лента
14. Шлифовальная рамка (EBS800V)
15. Ручка регулировки шлифовальной рамки (EBS800V)

ЭКСПЛУАТАЦИЯ

▲ ОСТОРОЖНО

При потере электропитания или другом самопроизвольным выключении машины немедленно переведите клавишу выключателя в положение «ОТКЛЮЧЕНО» и отсоедините вилку от розетки. Если при потере напряжения машина осталась включенной то при возобновлении питания она самопроизвольно заработает, что может привести к телесному повреждению и(или) материальному ущербу.

- Не эксплуатируйте изделие без надлежащим образом установленной ленты. Неправильно установленная лента может сорваться и привести к травме или повреждению шлифмашины.





EN
FR
DE
ES
IT
NL
PT
DA
SV
FI
NO
RU
PL
CS
HU
RO
LV
LT
ET
HR
SL
SK
BG
UK
TR
EL

- Закрепляйте обрабатываемую деталь в тисках или зажиме, установленных на верстаке. Это необходимо во избежание случайного вылета заготовки.
- Во время эксплуатации изделия держите его обеими руками за имеющиеся ручки.
- Не увеличивайте скорость работы инструмента. Правильно подбирайте инструмент для выполнения необходимой работы. Правильно подобранный инструмент лучше и безопаснее выполняет свою работу.
- Не давите слишком сильно на изделие. Вес изделия оказывает необходимое давление на заготовку, поэтому не нужно давить на шлифмашину во время ее движения. Избыточное давление приводит к перегрузке изделия и повреждению двигателя. Большее давление не приведет к удалению более толстого слоя материала, но снизит эффективность шлифования.
- Регулярная замена шлифовальной ленты позволяет сохранить эффективность шлифования.
- Запустите изделие кнопкой запуска и дайте ленте набрать необходимую скорость. Затем опустите ленту на заготовку. Крепко держите изделие обеими руками, потому что движение ленты двигает изделие вперед.
- Подбирайте размер и зернистость ленты в соответствии с конкретными требованиями к шлифованию. Используйте ленты с более низким номером зернистости для удаления более толстого слоя материала и с более высоким номером зернистости для удаления более тонкого слоя материала и окончательной обработки. Замените ленту, если она повреждена, засорена строительным мусором или изношена.
- Обычно шлифование выполняется перемещением изделия взад и вперед вдоль волокон материала. Шлифование поперек волокон возможно, но это вызывает царапины и повреждения на обрабатываемой поверхности.

при работе с данным устройством.

- Используйте ограничивающую рамку и ограждение при эксплуатации изделия в инверторном режиме. Использование приспособлений позволяет контролировать положение заготовки и предотвращает случайный контакт с движущейся лентой и роликами.
- При эксплуатации изделия в инверторном режиме, изделие должно быть надлежащим образом закреплено на верстаке с помощью прилагаемых зажимов. См. основные обозначения ниже в данном руководстве.

⚠ ОСТОРОЖНО

Продолжительное использование инструмента без перерыва может привести к травмам. При использовании инструмента в течение длительного времени делайте регулярные перерывы.

ТЕХНИЧЕСКОЕ ОБСЛУЖИВАНИЕ

⚠ ОСТОРОЖНО

Прибор ни в коем случае не должен подсоединяться к источнику питания, когда вы разбираете его компоненты, выполняете регулировку, очистку, проводите техническое обслуживание, или когда прибор не используется. Отключение инструмента от источника питания предотвращает его случайный пуск, который может привести к получению тяжелой травмы.

⚠ ОСТОРОЖНО

При выполнении технического обслуживания используйте только оригинальные запчасти, аксессуары и насадки от производителя. Использование других запчастей может представлять опасность или повредить изделия.

⚠ ОСТОРОЖНО

Никогда не допускайте контакта тормозной жидкости, бензина, продуктов на нефтяной основе, пропиточного масла и т. д. с пластмассовыми частями. Эти химикаты содержат вещества, которые могут испортить, ослабить или разрушить пластмассу. Это ведет к тяжелым травмам.

⚠ ОСТОРОЖНО

Пыль, представляющая собой частицы определенных красок, покрытий и материалов, может вызвать раздражение или аллергические реакции дыхательной системы. Пыль от дуба, бука, МДФ и прочей древесины является канцерогенной. К обработке материалов, содержащих асбест, допускаются только опытные квалифицированные операторы.

- Используйте пылесборник или подключите пылеотвод к устройству вакуумного отсасывания для уменьшения опасности, связанной с частицами пыли.
- Все лица, находящиеся в рабочей зоне или вблизи нее, должны носить респираторы, обеспечивающие надлежащую защиту.
- Всегда надевайте предохранительные или защитные очки с боковыми защитными экранами

Избегайте использования растворителей во время чистки пластмассовых частей. Многие пластмассы чувствительны к воздействию различных бытовых растворителей и в результате их использования могут разрушиться. Для снятия грязи, пыли и пр. пользуйтесь чистой тряпкой.

Электрические инструменты, используемые для обработки материалов из стекловолокна, древесноволокнистых плит, поверхностей, покрытых



шпатлевкой или штукатуркой, подвержены более быстрому износу и преждевременному выходу из строя, так как крошка стекловолокна и шлифовальная пыль оказывают сильное истирающее действие на подшипники, щетки, коллектор и т.д. Мы не рекомендуем эксплуатировать изделие в течение длительного периода времени без перерыва с этими видами материалов.

После каждого использования снимайте ленту и пылесборник, если таковой установлен. Очищайте шнур питания, как показано на рисунке в данном руководстве. Тщательно очищайте изделие, используя щетку, сухую тряпку или пылесос.

⚠ ОСТОРОЖНО

Не пользуйтесь сжатым воздухом для выдувания пыли из изделия во избежание повреждения глаз.

⚠ ОСТОРОЖНО

Если шнур питания поврежден, его нужно заменить на специальный шнур или на комплект, доступный от производителя или его сервисного представителя. Свяжитесь с авторизованным сервисным центром.

Для большей безопасности и надежности все ремонтные работы должны проводиться авторизованным сервисным центром.

Все трущиеся детали данного инструмента смазаны достаточным количеством высококачественной смазки на весь срок использования устройства при нормальных условиях эксплуатации. Поэтому дополнительная смазка не требуется.

ЗАЩИТА ОКРУЖАЮЩЕЙ СРЕДЫ



Утилизируйте как сырье, а не выбрасывайте как мусор. Машина, аксессуары и упаковка должны быть отсортированы.

СИМВОЛ



Внимание

V

Вольт

Hz

Герц

~

Переменный ток

W

Ватт

n₀

Скорость на холостом ходу

min⁻¹

Оборотов или возвратно-поступательных движений в минуту



Соответствие требованиям CE

Знак Евразийского Соответствия
Сертификат Соответствия
No. TC RU C-DE.AE11.B.04242
Срок действия Сертификата Соответствия по 20.09.2020
Некоммерческая организация Учреждение сертификации и экспертизы «Сертэкс»
109044 РФ, город Москва, 3-й Крутицкий переулок, дом 11



Украинский знак стандартизации



Класс защиты II, двойная изоляция



Внимательно прочтите данные инструкции перед использованием продукта.



Применяйте средства защиты органов слуха



Применяйте средства защиты органов зрения



Отработанная электротехническая продукция должна уничтожаться вместе с бытовыми отходами. Утилизируйте, если имеется специальное техническое оборудование. По вопросам утилизации проконсультируйтесь с местным органом власти или предприятием розничной торговли.

ОБОЗНАЧЕНИЯ В РУКОВОДСТВЕ



ПРИМЕЧАНИЕ



Подключите к источнику питания.



Отключите от источника питания.



Зафиксировать



Расцепить



Скорость, минимальная



Скорость, максимальная

Следующие сигнальные слова и значения предназначены, чтобы объяснить уровни риска, связанного с этим изделием.

⚠ ОПАСНО

Указывает на потенциально опасную ситуацию, которая, если ее не избежать, приведет к летальному исходу или серьезной травме.

⚠ ОСТОРОЖНО

Указывает на потенциально опасную ситуацию, которая, если ее не избежать, может привести к летальному исходу или серьезной травме.

⚠ ВНИМАНИЕ

Указывает на потенциально опасную ситуацию, которая, если ее не избежать, может привести к травме легкой или средней тяжести.

ВНИМАНИЕ

(Без Символа Тревоги Безопасности) Указывает ситуацию, которая может кончиться повреждением собственности.

Транспортировка:

Категорически не допускается падение и любые механические воздействия на упаковку при транспортировке.

При разгрузке/погрузке не допускается использование любого вида техники, работающей по принципу зажима упаковки.

Хранение:

Необходимо хранить в сухом месте.

Необходимо хранить вдали от источников повышенных температур и воздействия солнечных лучей.

При хранении необходимо избегать резкого перепада температур.

Хранение без упаковки не допускается.

Срок службы изделия:

Срок службы изделия составляет 5 лет.

Не рекомендуется к эксплуатации по истечении 5 лет хранения с даты изготовления без предварительной проверки.

Дата изготовления (код даты) отштампован на поверхности корпуса изделия.

Пример:

W17 Y2015, где Y2015 - год изготовления

W17 – неделя изготовления

Определить месяц изготовления можно согласно приведенной ниже таблице, на примере 2015 года.

Обратите внимание! Количество недель в месяце различается от года в год.

Месяц	Январь	Февраль	Март	Апрель	Май	Июнь	Июль	Август	Сентябрь	Октябрь	Ноябрь	Декабрь	Год
Неделя	01	05	09	14	18	22	27	31	36	40	44	49	2015
	02	06	10	15	19	23	28	32	37	41	45	50	
	03	07	11	16	20	24	29	33	38	42	46	51	
	04	08	12	17	21	25	30	34	39	43	47	52	
	05	09	13	18	22	26	31	35	40	44	48	53	
		14			27								

W przypadku tej szlifierki taśmowej zwrócono szczególną uwagę na zapewnienie bezpieczeństwa, wysokiej wydajności oraz niezawodności.

PRZEZNACZENIE

Produkt przeznaczony jest do szlifowania metalu, drewna, plastiku lub podobnych materiałów. Produkt powinien być używany wyłącznie w dobrze wentylowanych miejscach.

Szlifierkę taśmową powinny obsługiwać odpowiedzialne za swoje czyny osoby dorosłe, które przeczytały i zrozumiały instrukcje oraz ostrzeżenia zawarte w niniejszym podręczniku. Umożliwia ona również usuwanie farby, lakieru oraz korozji z powierzchni.

Produkt jest przeznaczony wyłącznie do szlifowania na sucho. Nie należy używać tego produktu do szlifowania na mokro.

Jest ona przeznaczona do obsługi przez operatorów, którzy przeczytali podręcznik obsługi i rozumieją powiązane ryzyka i zagrożenia. Produkt powinien być używany wyłącznie w dobrze wentylowanych miejscach.

Produkt przeznaczony jest do stosowania wyłącznie przez konsumentów.

Nie należy używać tego produktu niezgodnie z przeznaczeniem. Używanie narzędzi w sposób niezgodny z ich przeznaczeniem jest niebezpieczne.

⚠ OSTRZEŻENIE

Pył z określonych farb, powłok oraz materiałów może powodować podrażnienie lub reakcje alergiczne układu oddechowego. Pył z drzew takich jak dąb, brzoza, z płyt MDF itp. jest rakotwórczy. Materiał zawierający azbest może być obsługiwany wyłącznie przez specjalnie wykwalifikowanych operatorów.

⚠ OSTRZEŻENIE

Prosimy o uważne zapoznanie się z ostrzeżeniami, instrukcjami i specyfikacjami dostarczonymi z tym narzędziem oraz z zawartymi w nich ilustracjami. Nie przestrzeganie przedstawionych niżej zaleceń mogłoby pociągnąć za sobą wypadki takie jak pożary, porażenia prądem elektrycznym i /lub poważne obrażenia ciała.

Zachowaj wszystkie ostrzeżenia i instrukcje do wykorzystania w przyszłości.

OGÓLNE OSTRZEŻENIA DOTYCZĄCE BEZPIECZEŃSTWA PODSTAWY ROBOCZEJ

⚠ OSTRZEŻENIE

Należy zapoznać się ze wszystkimi ostrzeżeniami dotyczącymi bezpieczeństwa oraz wszelkimi instrukcjami przekazanymi wraz z podstawą roboczą i narzędziem z napędem. Nieprzestrzeganie instrukcji i zasad bezpieczeństwa zawartych w ostrzeżeniach grozi porażeniem prądem elektrycznym, pożarem lub poważnymi obrażeniami.

- **Zachowajcie te ostrzeżenia i zalecenia, aby móc się do nich odnieść w późniejszym czasie.**
- Wyrażenie «elektronarzędzie» używane w poniższych przepisach bezpieczeństwa oznacza zarówno elektronarzędzia przewodowe jak i elektronarzędzia bezprzewodowe (akumulatorowe).
- **Przed przystąpieniem do regulacji lub wymiany akcesoriów należy odłączyć wtyczkę od źródła zasilania i/lub odłączyć akumulator od narzędzia z napędem.** Przypadkowe uruchomienie narzędzia z napędem może spowodować wypadek.
- **Przed zamontowaniem narzędzia należy odpowiednio zamontować podstawę roboczą.** Właściwy montaż jest ważny ze względu na zapobieżenie przypadkowemu złożeniu się.
- **Przed rozpoczęciem użytkowania należy bezpiecznie przymocować narzędzie z zasilaniem do podstawy roboczej.** Przemieszczanie się narzędzia z napędem na podstawie roboczej może spowodować utratę kontroli.
- **Podstawę roboczą należy umieścić na solidnej, płaskiej i poziomej powierzchni.** Gdy podstawa robocza może się przemieszczać lub chybotać się, narzędzie z napędem lub obrabiany przedmiot nie mogą być pewnie i bezpiecznie kontrolowane.
- **Nie należy przeciągać podstawy roboczej ani nie używać jej jako drabiny lub rusztowania.** Przeciążanie podstawy roboczej lub stanie na niej powoduje jej przeciążenie i może spowodować nadmierne przechylenie.

SZLIFIERKA TAŚMOWA – OSTRZEŻENIA DOTYCZĄCE BEZPIECZEŃSTWA

- **To elektronarzędzie należy trzymać wyłącznie za izolowane powierzchnie chwytne, ponieważ w przeciwnym przypadku powierzchnia ścierna może zetknąć się z jego własnym przewodem zasilającym.** Przecięcie przewodu pod napięciem może spowodować przepływ prądu przez metalowe elementy urządzenia i porażenie operatora.

DODATKOWE OSTRZEŻENIA BEZPIECZEŃSTWA

- **Obrabiany element należy zamocować za pomocą zacisku.** Niezabezpieczone elementy mogą spowodować poważne obrażenia ciała i uszkodzenia. Nie trzymać szlifowanego materiału rękoma.
- **Nie stosować taśmy ścierniej o większym rozmiarze niż to potrzebne.**
- **Zawsze należy nosić okulary ochronne i maskę przeciwpyłową.**
- **Kiedy szlifujecie powierzchnie pokryte farbą na bazie ołowiu, czy niektóre drewna i metale, powinniście zakładać odpowiednią maskę przeciwpyłową w celu uniknięcia wdychania pyłu czy toksycznych oparów.**

RYZYKO ZWIĄZANE Z UŻYTKOWANIEM

Nawet jeśli produkt jest używany zgodnie z zaleceniami, nadal nie jest możliwe wyeliminowanie określonych



czynników ryzyka. Następujące zagrożenia mogą wystąpić podczas używania urządzenia i operator powinien zwracać szczególną uwagę na poniższe punkty:

- pochwylenie lub kontakt z poruszającą się taśmą
 - Należy zachować dodatkową uwagę, aby zapobiec kontaktowi palców i pozostałych części dłoni operatora z taśmą szlifierską lub wciągnięciu przez walki. Jeśli to możliwe, należy stosować akcesoria mocujące w celu ułatwienia prowadzenia obrabianego elementu i uniknięcia pochwylenia przez obracającą się rolkę.
- Urazy ciała spowodowane pyłem
 - Podczas używania produktu wytwarzane są duże ilości pyłu i drobnych cząstek. Podczas obsługi produktu należy używać urządzenia odpylającego lub odkurzacza. Należy nosić maskę ochronną z filtrem odpowiednim do obrabianego materiału. Należy zapewnić odpowiednią wentylację miejsca pracy. Nie jeść, nie pić i nie palić w miejscu pracy. Stosować wyłącznie do szlifowania materiałów opisanych w sekcji „Przeznaczenie”. Nie należy używać w przypadku materiałów (np. azbestu) stwarzających zagrożenie dla zdrowia.
- ryzyko eksplozji
 - Nagromadzony drobny pył może zapalić się i spowodować pożar. Miejsce pracy musi być czyste i wolne od pyłu. Układy zbierania i usuwania pyłu powinny być regularnie i dokładnie czyszczone. Podczas szlifowania metalu mogą powstawać gorące iskry.
- śmiertelne porażenie prądem elektrycznym
 - Kable zasilające i przedłużacze należy utrzymywać z dala od obszaru roboczego produktu i innych powierzchni przewodzących.
- hałas i wibracje
 - Podczas obsługi produktu należy nosić środki ochrony słuchu. Nie należy używać produktu przez dłuższy czas.

OGRANICZENIE RYZYKA

Badania dowodzą, że wibracje powodowane przez narzędzia ręczne mogą wywoływać u niektórych osób objawy zespołu Raynauda. Typowe objawy to mrowienie, drętwienie i blednięcie palców, widoczne zwykle po wystawieniu na działanie zimna. Uważa się, że czynniki dziedziczne, wystawienie na działanie zimna i wilgoci, dieta, palenie papierosów i przyjęte zwyczaje przyczyniają się do rozwoju tych objawów. Istnieją środki zaradcze, które może podjąć operator narzędzia, aby zmniejszyć efekt wibracji:

- Zadbaj w niskich temperaturach o ciepłotę własnego ciała, zakładając odpowiednie ubranie. Podczas obsługi urządzenia należy nosić rękawice, aby dłonie i nadgarstki były ciepłe. Wiadomo, że niskie temperatury są główną przyczyną powstawania objawu Raynauda.
- Podczas przerw w pracy należy wykonywać ćwiczenia poprawiające krążenie krwi..
- Podczas pracy robić częste przerwy. Ograniczyć ekspozycję w ciągu dnia.

W razie doświadczenia dowolnego z wymienionych

objawów, należy niezwłocznie zaprzestać użytkowania tego urządzenia i skontaktować się z lekarzem.

ZAPOZNAJ SIĘ ZE SWOIM PRODUKTEM

Patrz strona 109.

1. Pokrętko ustawiania prędkości (EBS800V)
2. Uchwyt przedni, izolowana powierzchnia chwytna
3. Przycisk regulacji przedniego uchwytu
4. Gałka regulacji taśmy szlifierskiej
5. Przycisk blokady
6. Uchwyt główny, izolowana powierzchnia chwytna
7. Pokrywa pojemnika na pył
8. Pojemnik na pył
9. Zacisk (EBS800V)
10. Przycisk uruchamiający
11. Dźwignia zwalnająca taśmę szlifierską
12. Ogranicznik (EBS800V)
13. Pas ścierny
14. Rama taśmy szlifierskiej (EBS800V)
15. Gałka regulacji ramy taśmy szlifierskiej (EBS800V)

OBSŁUGA

- Nie należy obsługiwać produktu bez odpowiednio ustawionej i zamocowanej taśmy. Nieprawidłowo ustawiona taśma może zsunąć się z produktu i spowodować urazy ciała lub uszkodzenie szlifierki.
- Zamocować obrabiany produkt za pomocą imadła lub zacisku do odpowiedniego stołu roboczego. Pomoże to unieruchomić obrabiany produkt.
- Należy użyć dołączonych uchwytów w celu przytrzymania i kontrolowania produktu obiema rękoma.
- Nie używać siły podczas obsługi narzędzia. Należy stosować odpowiedni produkt do danego zastosowania. Odpowiedni produkt będzie najwydajniejszy i najbezpieczniejszy w obsłudze, jeśli będzie używany zgodnie z przeznaczeniem.
- Nie dociskać zbyt mocno produktu. Produkt powinien pracować pod swoim własnym ciężarem i należy używać rąk do prowadzenia szlifierki. Nadmierne dociskanie spowoduje przeciążenie produktu i uszkodzenie silnika. Mocniejsze dociskanie nie spowoduje lepszego usunięcia materiału, a zamiast tego ograniczy efektywność szlifowania.
- Należy często zmieniać taśmę ścierną w celu zapewnienia efektywnego usuwania materiału.
- Uruchomić produkt za pomocą włącznika i odczekać, aż taśma osiągnie odpowiednią prędkość. Następnie opuścić taśmę na obrabiany produkt. Przytrzymać mocno produkt obiema rękoma, ponieważ ruch taśmy spowoduje przesuwanie produktu do przodu.
- Należy wybrać taśmę o odpowiednim rozmiarze i odpowiedniej szorstkości do określonego zadania. Taśmy o niższej ziarnistości należy używać do usuwania większej ilości materiału, natomiast taśmy o wyższej ziarnistości należy używać do usuwania mniejszej ilości materiału i do bardziej precyzyjnego wykańczania. Wymienić taśmę, jeśli będzie uszkodzona, zapchana pyłem lub zużyta.
- Standardowo należy szlifować produkt do przodu i do



tyłu wzdłuż włókien materiału. Szlifowanie w poprzek włókien również jest skuteczne, ale będzie powodować zarysowanie i uszkodzenie powierzchni.

⚠ OSTRZEŻENIE

Prosimy o uważne zapoznanie się z ostrzeżeniami, instrukcjami i specyfikacjami dostarczonymi z tym narzędziem oraz z zawartymi w nich ilustracjami. Nieprzestrzeganie wszystkich podanych poniżej instrukcji może skutkować porażeniem elektrycznym, pożarem lub.

- Należy używać pochłaniacza pyłu lub podłączyć króciec pyłu do odkurzacza, aby ograniczyć ryzyko związane z obecnością cząstek pyłu.
- Wszystkie osoby przebywające na miejscu pracy lub w pobliżu powinny nosić maski przeciwpyłowe, które zapewniają odpowiednią ochronę.
- Podczas pracy z narzędziami elektrycznymi należy koniecznie zakładać gogle lub okulary ochronne z osłonami bocznymi.
- Należy używać ramy do szlifowania i przyrządów prowadzących w przypadku używania produktu w odwróconym trybie. Zastosowanie przyrządów pomaga kontrolować pozycję obrabianego produktu i chroni przed przypadkowym kontaktem z obracającą się taśmą i rolkami.
- Produkt używany w odwróconym trybie musi być odpowiednio przymocowany do odpowiedniego stołu roboczego przy użyciu dostarczonych zacisków. Należy zapoznać się z instrukcjami graficznymi znajdującymi w się w dalszej części tego podręcznika.

⚠ OSTRZEŻENIE

Długotrwałe użytkowanie narzędzia może spowodować obrażenia ciała lub nasilić dolegliwości zdrowotne. W przypadku używania narzędzia przed dłuższy czas należy pamiętać o regularnych przerwach.

KONSERWACJA

⚠ OSTRZEŻENIE

Produkt nigdy nie może być podłączony do źródła zasilania podczas montażu części, regulacji, czyszczenia, konserwacji lub gdy nie jest używany. Odłączenie produktu od zasilania pozwala zapobiec przypadkowemu uruchomieniu, które mogłoby spowodować obrażenia.

⚠ OSTRZEŻENIE

W przypadku serwisowania należy stosować wyłącznie oryginalne części zamienne. akcesoria oraz osprzęt producenta. Użycie jakiegokolwiek innej części mogłoby spowodować zagrożenie lub też uszkodzić wasze narzędzie.

⚠ OSTRZEŻENIE

Nie wolno dopuścić do kontaktu plastikowych części z płynem hamulcowym, benzyną, produktami ropopochodnymi, olejami penetrującymi itp. Te produkty chemiczne zawierają substancje, które mogłyby uszkodzić, osłabić lub zniszczyć plastik, co mogłoby spowodować poważne zranienie.

Nie stosować rozpuszczalników do czyszczenia elementów plastikowych. Większość tworzyw sztucznych, mogłyby zostać uszkodzone przez użycie rozpuszczalników dostępnych w sprzedaży. Używajcie czystej szmatki do mycia zabrudzeń, pyłu, itd.

Stosowanie elektronarzędzi do obróbki włókna szklanego, płyt gipsowo-kartonowych, tynku lub innych materiałów budowlanych powoduje ich szybsze zużycie i ryzyko przedwczesnego uszkodzenia z powodu właściwości ściernych pyłu i opiłków przedostających się do łożysk, szczotek, komutatora itp. Nie zalecamy używania produktu przed długi czas do obróbki materiałów tego typu.

Po każdym użyciu należy zdjąć taśmę i odłączyć pochłaniacz pyłu, jeśli jest założony. Wyczyścić pochłaniacz pyłu, jak pokazano na ilustracjach w tym podręczniku. Wyczyścić dokładnie produkt przy użyciu szczotki, suchej szmatki i odkurzacza.

⚠ OSTRZEŻENIE

Nie należy używać sprężonego powietrza do usuwania pyłu z produktu, ponieważ może to spowodować poważne urazy oczu.

⚠ OSTRZEŻENIE

W przypadku uszkodzenia przewodu zasilającego należy wymienić go na specjalny przewód lub zespół dostępny u producenta lub przedstawiciela serwisu. Należy skontaktować się z autoryzowanym centrum serwisowym.

Aby zapewnić wyższy poziom bezpieczeństwa i niezawodności, wszystkie naprawy powinny być przeprowadzane przez autoryzowany punkt serwisowy.



Wszystkie łożyska urządzenia zostały nasmarowane odpowiednią ilością smaru o wysokiej jakości, który powinien zapewnić odpowiednio smarowanie tych części przez cały okres żywotności urządzenia. W wyniku czego, nie zachodzi potrzeba dodatkowego smarowania.

OCHRONA ŚRODOWISKA



Surowce należy oddawać do powtórnego przetworzenia zamiast wyrzucać je na śmieci. Z myślą o ochronie środowiska, narzędzie, akcesoria i opakowania powinny być sortowane.

SYMBOL

-  Alarm bezpieczeństwa
- V** Wolt
- Hz** Herc
-  Prąd przemienny
- W** Wat
- n₀** Prędkość bez obciążenia
- min⁻¹** Ilość obrotów czy ruchów na minutę



Zgodność CE



Znak zgodności EurAsian



Ukraiński znak zgodności



Klasa II, podwójna izolacja



Przed uruchomieniem produktu należy dokładnie przeczytać te instrukcje.



Stosować środki ochrony słuchu



Stosować środki ochrony wzroku



Zużyte produkty elektryczne nie powinny być utylizowane z odpadami domowymi. Prosimy poddawać recyklingowi w odpowiednich miejscach. Informacje o właściwych metodach recyklingu można uzyskać u władz lokalnych lub sprzedawcy.



Bieg, maksymalny

Poniższe symbole i nazwy które im nadano, pozwalają wyjaśnić różne poziomy ryzyka związanego z używaniem tego narzędzia.

NIEBEZPIECZEŃSTWO

Oznacza bezpośrednio niebezpieczną sytuację, która, jeśli nie zostanie uniknięta, spowoduje śmierć lub poważne urazy ciała.

OSTRZEŻENIE

Oznacza potencjalnie niebezpieczną sytuację, która, jeśli nie zostanie uniknięta, może spowodować śmierć lub poważne urazy ciała.

UWAGA

Oznacza potencjalnie niebezpieczną sytuację, która, jeśli nie zostanie uniknięta, może spowodować niewielkie lub umiarkowane urazy ciała.

UWAGA

(Bez symbolu bezpieczeństwa) Wskazuje na sytuację mogącą spowodować straty materialne.

SYMBOLE W INSTRUKCJI



Uwaga



Podłączyć do źródła zasilania.



Odłączyć od źródła zasilania.



Blokada



Odkręcenie uchwytu



Bieg, minimalne



Bezpečnost, výkon a spolehlivost byli hlavní prioritou při návrhu vaší pásové brusky.

ZAMÝŠLENÉ POUŽITÍ

Tato pásová bruska je určena k používání dospělými osobami, které četly návod k použití, chápou rizika a nebezpečí s ní spojená a mohou být považovány za osoby zodpovědné za své jednání.

Tato pásová bruska je určena k broušení kovů, dřeva, plastů a podobných materiálů. Může také odstraňovat barvy, laky a korozi z povrchů. Produkt by měl být používán pouze v dobře větraných prostorách.

Tento výrobek je určen jen k broušení za sucha. Nepoužívejte výrobek k broušení za mokra.

Pásová bruska se může používat v ručním režimu a manuálně pohybovat obsluhou po povrchu obrobku k broušení. Obrobek by se měl upevnit na pevnou a stabilní platformu.

Pásová bruska může být provozována v obráceném režimu při upevnění na pracovní stůl pomocí příslušenství dodaného výrobcem. V obráceném režimu obsluha vede obrobek k broušení po brusném pásu.

Výrobek je určen pouze pro spotřebitelské využití.

Nepoužívejte výrobek jinak než je uvedeno v určeném použití. Použití elektricky poháněného nástroje pro práce jiné, než zamýšlené by mohlo mít za následek nebezpečnou situaci.

- **Uschovejte všechny pokyny a upozornění, abyste se k nim mohli v budoucnosti vrátit.**
- Termíny „elektronářadí“ nebo elektrické nářadí používané v následující části označují elektrické nářadí, které se zapojuje do elektrické sítě, nebo akumulátorové elektrické nářadí.
- **Před provedením jakékoli úpravy či výměny příslušenství odpojte nejdříve zástrčku ze zdroje elektrického napětí, popřípadě vyjměte baterii z elektrického nářadí.** Náhodné spuštění elektrického nářadí bývá příčinou úrazů.
- **Před upevněním nářadí nejdříve řádně sestavte pracovní stojan.** Řádné smontování je důležité, aby stojan nespadol.
- **Před použitím bezpečně připevněte elektrické nářadí k pracovnímu stojanu.** Pokud není elektrické nářadí k pracovnímu stojanu řádně připevněno, může vést ke ztrátě kontroly na něm.
- **Umístěte pracovní stojan na pevný, hladký a rovný povrch.** Pokud se pracovní stojan posunuje nebo víklá, není možné zajistit pevnou a bezpečnou kontrolu nad elektrickým nářadím či obrobkem.
- **Pracovní stojan nepřetěžujte a nepoužívejte ho jako žebřík nebo lešení.** Přetěžováním či stáním na pracovním stojanu ho může převážet a převrátit.

BEZPEČNOSTNÍ VAROVÁNÍ K PÁSOVÉ BRUSCE

- **Toto elektrické nářadí držte pouze na izolovaných plochách, protože brusný povrch může přijít do styku s vlastním napájecím přívodem.** Pořezání „živého“ vodiče způsobí, že kovové části elektricky poháněného nástroje se stanou vystavenými a způsobí elektrický úraz obsluze.

DOPLŇUJÍCÍ BEZPEČNOSTNÍ VAROVÁNÍ

- **Upínadlo obrobku s upínacím zařízením.** Neupnuté obrobky mohou způsobit vážné zranění nebo škody na majetku. Nedržte materiál, který se brousí rukou.
- **Nepoužívejte brusný pás delší než je potřeba.**
- **Vždy jako obsluha noste ochranu sluchu a respirátor.**
- **Při broušení barev s obsahem olova, při opracovávání povrchu dřeva a při leštění kovu použijte vhodný protiprašný respirátor, abyste nevdychovali prach z odbroušeného materiálu, který může být u některých druhů dřeva a kovů toxický.**

⚠ VAROVÁNÍ

Prach z určitých barev, laků a materiálů může způsobit podráždění nebo alergické reakce na dýchací ústrojí. Prach ze dřeva, jako je dub, buk, překližka a jiných, je karcinogenní. Materiál obsahující azbest se nesmí nikdy zpracovávat nebo pouze zpracovávat kvalifikovaným specialistou.

⚠ VAROVÁNÍ

Přečtěte si pozorně upozornění, pokyny a technické specifikace dodané s nářadím a prohlédněte si ilustrace. Nedodržení uvedených pokynů může způsobit požár, úraz elektrickým proudem a/nebo jiné vážné zranění.

Uschovejte si všechny pokyny a varování pro budoucí nahlédnutí.

VŠEOBECNÁ BEZPEČNOSTNÍ VAROVÁNÍ K PRACOVNÍMU STOJANU

⚠ VAROVÁNÍ

Přečtěte si všechna bezpečnostní varování a všechny pokyny dodané s pracovním stojanem a elektrickým nářadím určeným k připevnění na něj. Nedodržování upozornění a těchto pokynů může vést k úrazu elektrickým proudem, ke vzniku požáru nebo vážnému zranění.

ZBYTKOVÁ RIZIKA

Dokonce, i když se výrobek provozuje jak je předepsáno, je stále nemožné zcela eliminovat veškeré zbytkové rizikové faktory. Následující nebezpečí mohou nastat při používání; vyhybte se:

- zachycení nebo kontakt s pohyblivým pásem
 - Zvýšená pozornost musí být věnována ochraně prstů a rukou obsluhy před stykem s brusným pásem nebo před zachycením válečky při obráceném pohybu. Používejte dorazové příslušenství kdykoli je to možné, aby se pomohlo vedení obrobku a

EN
FR
DE
ES
IT
NL
PT
DA
SV
FI
NO
RU
PL
CS
HU
RO
LV
LT
ET
HR
SL
SK
BG
UK
TR
EL



zabránilo zachycování v pohyblivém válci.

- Zranění způsobené prachem
 - Používání produktu vede ke tvorbě značného množství prachu a jemných částic. Při provozování produktu používejte zařízení na zachycení prachu nebo připojte vysavač. Noste masky obsahující filtry vhodné pro materiály, se kterými pracujete. Zajistit dostatečné větrání pracoviště. V pracovní oblasti výrobku nejíst, nepít, ani nekouřit. Nástroj používejte pouze k broušení materiálů uvedených v určeném účelu. Nepracujte s materiály (např. azbest), které ohrožují lidské zdraví.
- riziko výbuchu
 - Nahromaděný jemný prach se může vznítit a způsobit požár. Udržujte pracovní prostor v čistotě a bez prachu. Systémy odvádění a sběru prachu by měly být pravidelně a důkladně čistěny. Při broušení kovu mohou být produkovány horké jiskry.
- elektrický proud
 - Napájecí a prodlužovací kabely i jiné vodiče pod napětím musí být mimo pracovní dosah nástroje.
- hluk a vibrace
 - Noste během provozu tohoto výrobku ochranu sluchu. Neprovozujte produkt příliš dlouhou dobu.

SNÍŽENÍ RIZIKA

Bylo zjištěno, že vibrace z ručních pracovních nástrojů mohou u některých osob přispívat ke stavu tzv. Raynaud's Syndrome (Raynaudovu syndromu). Mezi jeho příznaky patří brnění, necitlivost a zbledení prstů, patrné obvykle po pobytu v chladu. Vědci se domnívají, že k rozvinutí těchto příznaků přispívají dědičné faktory, pobyt v chladu a vlhku, strava, kouření a pracovní návyky. Uživatel může omezit případné působení vibrací použitím vhodných opatření:

- Za chladného počasí se teple oblečte. Při práci s nástrojem si navlekněte rukavice, abyste udrželi ruce a zápěstí v teple. Bylo zjištěno, že chladné počasí je hlavním faktorem přispívajícím k Raynaud's Syndrome (Raynaudovu syndromu).
- Během práce si v pravidelných intervalech zacvičte, abyste zvýšili krevní oběh.
- Zařazujte časté pracovní přestávky. Omezte dobu práce za den.

Jakmile pocítíte některý z výše uvedených příznaků tohoto syndromu, okamžitě přerušte práci a vyhledejte lékaře.

SEZNAMTE SE S VÝROBKEM

Viz strana 109.

1. Číselník nastavení otáček (EBS800V)
2. Přední rukojeť s izolací a protiskluzovým povrchem
3. Tlačítko nastavení přední rukojeti
4. Otočný regulátor nastavení brusného pásu
5. Tlačítko zamknutí
6. Hlavní rukojeť s izolací a protiskluzovým povrchem
7. Kryt prachového boxu
8. Prachový box
9. Svorka (EBS800V)
10. Spoušť

11. Uvolňovací páčka brusného pásu
12. Zarážka brusné stolice (EBS800V)
13. Brusný pás
14. Brusný rám (EBS800V)
15. Otočný regulátor nastavení brusného rámu (EBS800V)

OBSLUHA

- Neprovozujte výrobek bez řádně vedeného a namontovaného pásu. Nesprávně vedený pás může odhodit výrobek a způsobit zranění osob nebo poškození brusky.
- Zajistěte obrobek ve svěráku nebo svorkou na vhodném pracovním stole. To pomáhá zabránit odhození obrobku.
- Použijte dodávané rukojeti pro držení a ovládání výrobku oběma rukama.
- Nepoužívejte nadměrnou sílu na nástroj. Nářadí vybírejte podle povahy práce, kterou chcete provádět. Správný nástroj bude svou práci provádět lépe a bezpečněji při práci, pro kterou byl navržen.
- Nevyvíjejte nadměrný tlak na výrobek. Nechte hmotností výrobku vytvořit správný tlak a ruce používejte k vedení brusky. Nadměrný tlak přetíží výrobek a poškodí motor. Použití silnějšího tlaku neodstraní více materiálu a místo toho se sníží účinnost broušení.
- Měňte často brusný pás pro udržení schopnosti výrobku efektivně odstraňovat materiál.
- Spusťte produkt pomocí spínače na rukojeti a nechte pás rozběhnout, aby získal správnou rychlost. Pak spusťte pás na obrobek. Držte produkt bezpečně oběma rukama, protože pohyb pásu bude vést produkt dopředu.
- Vyberte pás o správné velikosti a vhodné drsnosti pro daný úkol. Používejte pásy s nižším číslem zrnitosti pro odstraňování více materiálu; vyšší číslo zrnitosti odstraní méně materiálu a poskytne hladší povrch. Vyměňte řemen dojde-li k poškození, zanesení nečistotami nebo je opotřebován.
- Je normální brousit a výrobek přesouvat tam a zpět podél zrnitosti materiálů. Broušení napříč zrnitostí bude fungovat, ale povede to k poškrábání a poškození plochy.

VAROVÁNÍ

Prach z určitých barev, laků a materiálů může způsobit podráždění nebo alergické reakce na dýchací ústrojí. Prach ze dřeva, jako je dub, buk, překližka a jiných, je karcinogenní. Materiál obsahující azbest se nesmí nikdy zpracovávat nebo pouze zpracovávat kvalifikovaným specialistou.

- Použijte sběrač prachu nebo připojte přípojku odvodu prachu do odsávacího zařízení ke snížení rizik spojených s prachovými částicemi.
- Všechny osoby v pracovním prostoru nebo v jeho blízkosti by měly nosit protiprachové masky (respirátory), které nabízejí odpovídající ochranu.
- Vždy noste bezpečnostní brýle nebo bezpečnostní brýle s postranními štítky, když obsluhujete výrobek

- Při použití produktu v obráceném provozním režimu použijte rámeček pro broušení a doraz. Použití doplňků pomáhá řídit polohu obrobku a zabraňuje náhodnému kontaktu s pohybujícím se pásem a válci.
- Při použití v obráceném režimu musí být produkt odpovídajícím způsobem zajištěn na vhodný pracovní stůl pomocí dodaných doplňkových svorek. Viz grafické pokyny dále v této příručce.

⚠ VAROVÁNÍ

Poranění mohou být způsobena, či zhoršena, prodlouženým používáním nástroje. Když používáte jakýkoliv nástroj delší dobu, dělejte pravidelně přestávky.

ÚDRŽBA

⚠ VAROVÁNÍ

Výrobek nikdy nepřipojujte ke zdroji napájení, když se montují díly, provádí seřizování, čištění, údržba nebo když se nepoužívá. Odpojení nářadí od zdroje energie zabrání nechtěnému spuštění, které by mohlo způsobit vážné poranění.

⚠ VAROVÁNÍ

Při provádění servisu používejte pouze originální příslušenství, doplňky a náhradní díly výrobce. Použití jakýchkoliv jiných dílů může vytvořit nebezpečí nebo způsobit poškození výrobku.

⚠ VAROVÁNÍ

Nikdy nenechte přijít brzdové kapaliny, petrolej, výrobky založené na petroleji, pronikavé oleje, atd. do kontaktu s plastovými součástmi. Tyto výrobky obsahují chemikálie, které mohou poškodit, oslabit nebo zničit plastové části, případně snížit jejich životnost a být příčinou úrazu.

Vyhnete se používání rozpouštědel, když čistíte plastové díly. Většina ředidel běžně dostupných v obchodní síti se nehodí k čištění plastových částí, neboť narušuje povrch plastů. K odstranění nečistot, prachu apod. používejte čistý hadr.

Elektrické nářadí používané k opracování materiálu ze skleněného vlákna, sádrových desek, obkladových desek se snadněji opotřebává a má kratší životnost, protože třísky a kovové piliny vznikající při řezání kovů odírají některé díly elektronářadí, jako jsou převody, kartáče, spouštěče apod. Proto se nedoporučuje používat tento nástroj po dlouhou dobu na tyto druhy materiálů.

Po každém použití demontujte pás a sběrač prachu, pokud je nainstalován. Vyčistěte sběrač prachu, jak je ukázáno na obrázcích v tomto návodu. Vyčistěte produkt důkladně kartáčem a suchým hadříkem a vysavačem.

⚠ VAROVÁNÍ

Nepoužívejte stlačený vzduch pro vyfouknutí prachu ze zařízení, aby se zabránilo vážnému zranění očí.

⚠ VAROVÁNÍ

Je-li napájecí kabel poškozen, musí být nahrazen speciálním kabelem nebo sestavou u výrobce nebo u jeho servisního zástupce. Obrat'te se na autorizované servisní středisko.

Pro lepší bezpečnost a bezporuchovost by mělo opravy provádět pověřené autorizované servisní středisko.

Veškerá ložiska nářadí byla výrobcem namazána dostatečným množstvím vysoce účinného maziva, které stačí na celou dobu životnosti nářadí při normálních podmínkách používání. Žádné další mazání nářadí není nutné.

OCHRANA ŽIVOTNÍHO PROSTŘEDÍ



V rámci možností neodhazujte vysloužilé nářadí do domovního odpadu a upřednostněte jeho recyklaci. V souladu s předpisy na ochranu životního prostředí odkládejte vysloužilé nářadí, příslušenství i obalový materiál do tříděného odpadu.

SYMBOL



Bezpečnostní výstraha

V

Napětí

Hz

Hertz

~

Střídavý proud

W

Watt

n_o

Otáčky naprázdno

min⁻¹

Počet otáček nebo pohybů (kmitů) za minutu



Shoda CE



Euroasijská značka shody



Ukrajinská značka shody



Třída II, dvojité izolování



Před použitím přístroje si prosím řádně přečtěte tyto pokyny.



Noste ochranu sluchu



Noste ochranu očí



Odpad elektrických výrobků se nesmí likvidovat v domovním odpadu. Recyklujte prosím na sběrných místech. Ptejte se u místních úřadů nebo prodejce na postup při recyklaci.

SYMBOLY POUŽITÉ V NÁVODU



Poznámka



Připojte k elektrické síti.



Odpojte od elektrické sítě.



Zamknuto



Odemknuto



Rychlost, minimum



Rychlost, maximum

Následující signální slova a významy jsou vhodné pro vysvětlení úrovně nebezpečí spojených s tímto výrobkem.

NEBEZPEČÍ

Upozorňuje na bezprostředně nebezpečnou situaci, která vede k usmrcení nebo těžkému zranění.

VAROVÁNÍ

Upozorňuje na možnou nebezpečnou situaci, která by mohla vést ke smrtelnému úrazu nebo k závažnému zranění.

POZOR

Upozorňuje na možnou nebezpečnou situaci, která může vést k menšímu nebo lehkému zranění.

POZOR

(Bez bezpečnostního výstražného symbolu) Určuje situaci, která může mít za následek vážné poškození.



A szalagcsiszoló tervezésekor a biztonság, a teljesítmény és a megbízhatóság voltak a legfontosabb szempontok.

RENDELTETÉSSZERŰ HASZNÁLAT

A szalagcsiszolót kizárólag beszámítható felnőttek használhatják, ha elolvasták és megértették a jelen kézikönyv utasításait és figyelmeztetéseit.

A termék fém, fa, műanyag vagy hasonló anyagok csiszolására szolgál. Használható festék, lakk és korrózió eltávolítására is a felületekről. A termék csak jól szellőző helyeken használható.

A termék csak száraz csiszolásra való. Ne használja a terméket nedves csiszoláshoz.

A szalagcsiszoló kézi módban használható, amikor a kezelő kézzel mozgatja azt a csiszolni kívánt munkadarab felületén. A munkadarabot egy stabil és robusztus platformra kell rögzíteni.

A szalagcsiszoló megfordított üzemmódban is használható, amikor egy munkapadhoz van rögzítve a gyártó által biztosított kiegészítővel. Megfordított módban a kezelő a csiszolni kívánt munkadarabot mozgatja a szalagcsiszoló fölött.

A terméket magáncélú felhasználásra tervezték.

Ne használja a terméket a rendeltetésétől eltérő célra. A szerszámgép rendeltetésétől eltérő műveletekre való használata veszélyes helyzeteket eredményezhet.

▲ FIGYELEM

Bizonyos festékekből, bevonatokból és anyagokból a por irritációt vagy allergiás reakciót válthat ki a légzőrendszerben. A fából, pl. tölgy, bükk, MDF stb. származó por rákkeltő. Az azbesztet tartalmazó anyaggal csak szakképzett kezelők dolgozhatnak, illetve csak ők dolgozhatják azt fel.

▲ FIGYELEM

Figyelmesen olvassa el az ehhez a szerszámhoz mellékelt összes figyelmeztetést, utasítást és műszaki adatokat, valamint tanulmányozza az ábrákat is. Az alább részletezett előírások be nem tartása olyan baleseteket okozhat, mint pl. tűz, áramütés és/vagy súlyos testi sérülések.

A jövőbeli felhasználásra őrizze meg az összes figyelmeztetést és útmutatót.

BIZTONSÁGI FIGYELMEZTETÉSEK AZ ÁLTALÁNOS MUNKAÁLLVÁNYHOZ

▲ FIGYELEM

Olvassa el a munkaállvány és az arra felszerelendő elektromos kéziszerszám valamennyi biztonsági figyelmeztetését. A figyelmeztetések és előírások be nem tartása elektromos áramütést, tüzet és/vagy súlyos sérülést eredményezhet.

- A jövőbeli felhasználásra őrizze meg az összes

figyelmeztetést és útmutatót.

- Az alábbi biztonsági előírásokban az „elektromos szerszám” kifejezés mind az elektromos hálózatra csatlakoztatható (normál kivitelezésű), mind a vezeték nélküli (akkumulátoros) szerszámot egyaránt jelöli.
- **Mielőtt beállítást végezne vagy tartozékokat cserélne, húzza ki a csatlakozódugót a konnektorból és/vagy vegye ki a kéziszerszámból az akkumulátort.** Számos baleset oka az elektromos kéziszerszám véletlen beindítása.
- **Megfelelően szerelje össze a munkaállványt, mielőtt felszerelné rá az elektromos kéziszerszámot.** A helyes összeszerelés fontos tényező az összedőlés kockázatának megelőzése érdekében.
- **Használat előtt biztonságosan rögzítse az elektromos kéziszerszámot a munkaállványra.** Az elektromos kéziszerszám elmozdulása a munkaállványon az irányításának elvesztését okozhatja.
- **A munkaállványt szilárd, sík és vízszintes felületre helyezze.** Ha a munkaállvány el tud mozdulni vagy billeg, az elektromos kéziszerszámot vagy munkadarabot nem lehet egyenletesen és biztonságosan irányítani.
- **Ne terhelje túl a munkaállványt, ne használja létrának vagy állványzatnak.** A túlterhelés vagy ráállás következtében az állvány „fejnehéz” lesz és valószínűleg fel fog borulni.

SZALAGCSISZOLÓRA VONATKOZÓ BIZTONSÁGI FIGYELMEZTETÉSEK

- **A szerszámot csak a szigetelt fogófelületnél tartsa, mert a csiszolófelszín hozzáférhet a saját vezetékéhez.** A feszültség alatt lévő vezetékkel történő érintkezés során a szerszám fém alkatrészei áram alá kerülhetnek, minek következtében a kezelőt áramütés érheti.

TOVÁBBI BIZTONSÁGI FIGYELMEZTETÉSEK

- **Szorítsa le a munkadarabot egy szorítóval.** A nem rögzített munkadarabok súlyos sérüléseket és károkat okozhatnak. Ne fogja az éppen csiszolt anyagot a kezében.
- **Ne használjon a szükségesnél nagyobb csiszolószalagot.**
- **Mindig viseljen védőszemüveget és pormaszkot.**
- **Hordjon a célnak megfelelő (gáz)árlarcot ha olmot tartalmazó festékekkel fedett tárgyat, illetve ha bizonyos fa- vagy fémterméket csiszol.**
- **A termék nem használható nedves csiszolásra.**

VISSZAMARADÓ KOCKÁZATOK

Még a termék rendeltetészerű használata esetén sem lehet teljesen kiküszöbölni minden kockázati tényezőt. A gép használata során a következő veszélyek merülhetnek fel, és a kezelőnek különösen oda kell figyelnie az alábbiak elkerülésére:

- beszorulás vagy a mozgó szalaggal való érintkezés
 - A kezelő főleg fordított munkavégzésnél figyeljen különösen arra, hogy az ujjával és a kezével ne



érjen hozzá a csiszolószalaghoz, vagy ne csipjék be a görgők. Amikor csak lehet, használja a vezetőléc tartozékot a munkadarab irányítására és a mozgó görgőnél való beszorulás elkerülésére.

- Por okozta sérülések
 - A termék használata jelentős mennyiségű port és finom szemcsét generál. Használja a porgyűjtő berendezést vagy csatlakoztasson egy porszívó berendezést a termék használatakor. Viseljen pormaszkot, ami a megmunkálendő anyagoknak megfelelő szűrőket tartalmaz Biztosítson megfelelő szellőztetést. Ne egyen, igyon vagy dohányozzon a munkaterületen. A gépet csak a Rendeltetésszerű használat c. részben megadott anyagokon használja. Ne dolgozzon olyan anyagokon (pl. azbeszt) ami egészségügyi kockázatot jelent.
- robbanásveszély
 - A felgyülemlett finom por begyulladhat és tüzet okozhat. Tartsa tisztán és pormentesen a munkaterületet. A porgyűjtő és elszívórendszerek rendszeresen és alaposan ki kell tisztítani. Fém csiszolások forró szikrák keletkezhetnek.
- áramütés
 - A táp- és hosszabbító kábeleket tartsa távol a termék munkavégzési tartományától és egyéb vezetőlétektől.
- zaj és vibráció
 - A termék használatakor mindig viseljen fülvédőt. Ne használja hosszabb ideig a terméket.

KOCKÁZATCSÖKKENTÉS

Arról számoltak be, hogy a kéziszerszámok használata során fellépő vibráció bizonyos személyeknél hozzájárulhat az úgynevezett Raynaud-szindróma (Raynaud's Syndrome) nevű állapot kialakulásához. A tünetei lehetnek: az ujjak zsibbadása, elfehéredése, szúrások érzése, amelyek hidegnek kitéve gyakran felerősödnek. Az örökklődő tényezők, a hidegnek kitétség és verejtékezés, a diéta, a dohányzás és munka közben alkalmazott fogások valószínűleg mind hozzájárulhatnak ezen tünetek megjelenéséhez. A vibráció hatásainak csökkentése érdekében a kezelőnek be kell tartani az alábbi óvintézkedéseket:

- Hideg időben tartsa melegen a testét. A gép használatakor viseljen kesztyűt a kéz és a csukló melegen tartásához. Arról számoltak be, hogy a hideg időjárásnak fontos szerepe van a Raynaud-szindróma kialakulásában.
- Bizonyos időtartamú használat után mindig végezzen gyakorlatokat a vérkeringés javításához.
- Gyakran tartson munkaszünetet. Korlátozza a napi munkaidőt.

Ha ezen állapot bármelyik tünetét tapasztalja, azonnal hagyja abba a munkát, és tájékoztassa az orvosát a tünetekről.

ISMERJE MEG A TERMÉKET

109. oldal.

1. Sebességválasztó tárcsa (EBS800V)

2. Első fogantyú
3. Első fogantyú állítógomb
4. Csiszólószij állítógomb
5. Elülső kar, szigetelt fogófelület
6. Fő kar, szigetelt fogófelület
7. Portartály fedél
8. Portartály
9. Bilincs (EBS800V)
10. Kioldókapcsoló
11. Csiszólószij kioldókar
12. Padcsiszoló ütköző (EBS800V)
13. Csiszolószalag
14. Csiszolókeret (EBS800V)
15. Csiszolókeret állítógomb (EBS800V)

HASZNÁLAT

- Ne működtesse a terméket megfelelően felszerelt és szabályosan mozgó szalag nélkül. A szabálytalanul mozgó szalag lejöhet a termékről és személyi sérülést vagy a csiszoló károsodását okozhatja.
- Szorítóval vagy satuval rögzítse a munkadarabot egy megfelelő munkapadhoz. Ezzel meggátolhatja, hogy a munkadarab kivetődjön vagy elmozduljon.
- A mellékelt fogantyúkkal mindkét kezével fogja meg és irányítsa a terméket.
- Ne erőltesse a gépet. A feladathoz a megfelelő terméket használja. A megfelelő termék jobb teljesítménnyel és biztonságosabban fog dolgozni olyan fordulatszám, amilyenekre azt tervezték.
- Ne fejtse ki túlzott nyomást a termékre. Hagyja, hogy a termék súlyával kifejtse a megfelelő nyomást, és a kezével irányítsa a csiszolót. A túlzott nyomás túlterheli a terméket és károsítja a motort. A nagyobb nyomással nem távolítható el több anyag, ehelyett csökken a csiszolás hatékonysága.
- Gyakran cserélje a csiszolószalagot, hogy a termék anyageltávolítása mindig hatékony legyen.
- A kioldókapcsolóval indítsa el a terméket, és várja meg, hogy a szalag elérje a szükséges sebességet. Ezután engedje rá a szalagot a munkadarabra. Fogja stabilan a terméket mindkét kezével, mivel a szalag mozgása előrefelé fogja hajtani azt.
- Válasszon a feladatnak megfelelő méretű és érdességű szalagot. Használjon kisebb finomságú (grit számú) szalagot, ha több anyagot kell eltávolítani; a nagyobb grit szám kevesebb anyag eltávolítására és finomabb felület előállítására való. Cserélje ki a szalagot, ha az károsodott, tele van hulladékkal vagy elhasználódott.
- A terméket a megmunkálás során az anyag szálai mentén javasolt mozgatni előre-hátra. A szálakra merőlegesen való csiszolás szintén működik, de összekarcolt és károsodott felületet eredményez.



⚠ FIGYELEM

Bizonyos festékekből, bevonatokból és anyagokból a por irritációt vagy allergiás reakciót válthat ki a légzőrendszerben. A fából, pl. tölgy, bükk, MDF stb. származó por rákkeltő. Az azbeszteszt tartalmazó anyaggal csak szakképzett kezelők dolgozhatnak, illetve csak ők dolgozhatják azt fel.

- Használja a porgyűjtőt vagy csatlakoztassa a porgyűjtő nyílást egy porszívóhoz a porszemekkel kapcsolatos veszélyek csökkentéséhez.
- A munkaterületen és annak közelében tartózkodó személyeknek megfelelő védelmet biztosító pormaszkot kell viselniük.
- A termék használatakor mindig viseljen védőszemüveget vagy oldalellenzővel rendelkező védősisakot.
- Használja a csiszolókeret és vezetősín kiegészítőket, amikor a terméket megfordított módban használja. A kiegészítők használata segít a munkadarab helyzetének ellenőrzésében, és meggátolja a mozgó szalaggal és görgőkkel való érintkezést.
- Megfordított módban való használatkor a terméket a mellékelt szorítókkal az előírt módon rögzíteni kell egy megfelelő munkapadhoz. Lásd az ábrákkal kiegészített útmutatót később a kézikönyvben.

⚠ FIGYELEM

A gép hosszabb idejű folyamatos használata sérüléseket okozhat vagy súlyosbíthatja a tüneteket. Ha a gépet hosszú időn át kell használnia, tartson gyakran szünetet.

KARBANTARTÁS

⚠ FIGYELEM

Alkatrészek szerelésekor, beállítások végzésekor, tisztítások, karbantartás végzésekor, illetve használaton kívül mindig húzza ki a gépet az elektromos hálózatról. Ha a terméket leválasztja az áramellátásról, megakadályozza a véletlen elindítást, ami komoly sérülést okozhat.

⚠ FIGYELEM

Szervizeléskor csak a gyártó eredeti cserealkatrészeit, kiegészítőit és rátéiteit használja. Bármilyen más alkatrész használata veszélyes és a termék károsodását okozhatja.

⚠ FIGYELEM

A műanyag részek semmilyen körülmények között nem érintkezhetnek fékolajjal, benzinnel, petróleum alapú termékekkel, beszívódó olajokkal stb. Ezek a vegyszerek olyan vegyületeket tartalmaznak, melyek megrongálhatják, meglágyíthatják vagy lebonthatják a műanyagból készült részeket, ami súlyos testi sérüléseket is okozhat.

A műanyag részek tisztításakor tartózkodjon a tisztítószerek használatától. A kereskedelmi forgalomban kapható oldószerek rongáló hatással vannak a műanyagból készült elemek többségére. A por és egyéb szennyeződések stb. tisztítására használjon egy tiszta ruhadarabot.

Azok az elektromos szerszámok, amelyeket üvegszálal munkadarabokon, gipszkartonon lapokon ill. burkolólapokon használnak, jobban ki vannak téve a gyors elhasználódásnak és az idő előtti meghibásodásoknak, mert az ilyen anyagokból származó forgács és por rendkívül sűrű hatású az elektromos szerszámok alkatrészeire (fogaskerekek, szénkefék, kapcsolók stb.). Nem javasoljuk a termék ezen típusú anyagokon való hosszabb idejű használatát.

Minden használat után vegye le a szalagot és a porgyűjtőt, ha fel volt szerelve. A kézikönyvben található utasításokat követve tisztítsa meg porgyűjtőt. Egy kefével, száraz törölruhával és porszívóval alaposan tisztítsa meg a terméket.

⚠ FIGYELEM

A súlyos szemkárosodás megelőzése érdekében ne használjon sűrített levegőt a pornak a termékről való eltávolításához.

⚠ FIGYELEM

Ha a tápkábel sérült, azt a gyártótól vagy a szervizképviselettől beszerezhető speciális kábellel vagy szerelvényel kell kicserélni. Lépjen kapcsolatba egy hivatalos szervizközponttal.

A nagyobb biztonság és megbízhatóság érdekében minden javítást hivatalos szervizközpontban kell elvégeztetni.

A szerszámban lévő összes csapágy a gép teljes élettartamára elegendő kenőanyaggal van feltöltve, normál körülmények közötti használat esetén. Ebből kifolyólag nincs szükség arra, hogy a gép belső részeit kenje.

KÖRNYEZETVÉDELME



Segítse elő az alapanyagok újrahasznosítását azzal, hogy nem helyezi el őket a háztartási szemétkorba. Környezetvédelmi megfontolásból az elhasználdott gépet és tartozékokat, valamint a csomagolóanyagokat szelektív módon kell gyűjteni.

EN
FR
DE
ES
IT
NL
PT
DA
SV
FI
RU
NO
PL
CS
HU
RO
LV
LT
ET
HR
SK
SL
BG
UK
TR
EL



SZIMBÓLUM



Biztonsági figyelmeztetés

V Volt

Hz Hertz

~ Váltóáram (AC)

W Watt

n_p Üresjárat fordulatszám

min^{-1} Fordulatok ill. löketek száma percenként



CE megfeleléség



Eurázsiai megfeleléségi jelzés



Ukrainai megfeleléségi nyilatkozat



II. osztály, kettős szigetelés



Kérjük, olvassa át gondosan ezt az útmutatót a termék beindítása előtt.



Viseljen fülvédőt



Viseljen szemvédőt



A kiselejtezett elektromos termékeket nem szabad a háztartási hulladékkal együtt kidobni. Ezeket újra kell hasznosítani, ha van rá lehetőség. Az újrahasznosítással kapcsolatban érdeklődjön a helyi önkormányzatnál vagy a termék forgalmazójánál.



Fordulatszám, minimális



Fordulatszám, maximális

A következő jelölőszavak és jelentések arra szolgálnak, hogy megmagyarázzák a termékkel kapcsolatos veszélyességi szinteket.

VESZÉLY

Egy bekövetkező veszélyes helyzetet jelez, ami, ha nem előzik meg, halált vagy komoly sérülést eredményez.

FIGYELEM

Egy potenciálisan bekövetkező veszélyes helyzetet jelez, ami, ha nem előzik meg, halált vagy súlyos sérülést eredményezhet.

VIGYÁZAT

Egy potenciálisan veszélyes helyzetet jelez, ami, ha nem előzik meg, kisebb vagy mérsékelt súlyos sérülést eredményezhet.

VIGYÁZAT

(Biztonsági figyelmeztető szimbólum nélkül) Egy olyan helyzetet jelez, ami anyagi kárt eredményezhet.

A KÉZIKÖNYVBEN HASZNÁLT SZIMBÓLUMOK



MEGJEGYZÉS



Csatlakoztassa az elektromos hálózathoz.



Húzza ki az elektromos hálózathoz.



Retesz



Szétnyitás

Au fost acordate priorități maxime asupra siguranței, performanței și fiabilității în proiectarea șlefuitorului dvs. cu bandă.

DOMENIU DE APLICAȚII

Șlefuitorul cu bandă este conceput pentru a fi utilizat de către adulți responsabili, care au citit și au înțeles instrucțiunile și avertismentele din acest manual și pot fi considerați responsabili pentru acțiunile proprii.

Acest produs este destinat pentru șlefuirea metalelor, a lemnului, plasticului sau altor materiale similare. Poate de asemenea îndepărta vopselele, lacul și coroziunea de pe suprafețe. Produsul trebuie folosit doar în zone bine aerisite.

Produsul este proiectat doar pentru șlefuire uscată. Nu folosiți produsul pentru șlefuire umedă.

Mașina de șlefuit cu bandă poate fi folosită în modul portabil și mutată manual de către operator pe suprafața piesei de lucru ce vine șlefuită. Piesa de lucru trebuie să fie fixată pe o platformă solidă și stabilă.

Mașina de șlefuit cu bandă poate fi operată în modul răsturnat atunci când este fixată de bancul de lucru folosind accesoriile furnizate de producător. Atunci când este în modul răsturnat, operatorul ghidează piesa de lucru ce va fi șlefuită pe banda de șlefuire.

Produsul este destinat exclusiv consumatorilor.

Nu folosiți produsul în niciun alt fel decât cel menționat pentru folosirea lui destinată. Utilizarea unelei electrice pentru alte operații decât cele preconizate poate duce la situații periculoase.

⚠ AVERTISMENT

Praful de la anumite vopsele, tencuieli și materiale pot cauza iritații sau reacții alergice ale sistemului respirator. Praful de la lemn precum stejarul, fagul, PAL-ul și altele sunt cancerigene. Materialul conținând azbest trebuie să fie prelucrat sau procesat doar de către operatori specializați calificați.

⚠ AVERTISMENT

Citiți, cu atenție, toate avertismentele, instrucțiunile și specificațiile furnizate împreună cu aparatul, și consultați ilustrațiile. Nerespectarea instrucțiunilor prezentate în continuare poate provoca accidente cum ar fi incendii, electrocutare și/sau vătămări corporale grave.

Salvați toate avertizările și instrucțiunile pentru o consultare ulterioară.

AVERTISMENTE GENERALE DE SIGURANȚĂ PENTRU STATIVUL DE LUCRU

⚠ AVERTISMENT

Citiți toate avertismentele și instrucțiunile de siguranță furnizate împreună cu stativul de lucru și unealta pe care o veți monta pe acesta. Neurmarea avertizării și instrucțiunilor ar putea cauza electrocutare, incendiu și/sau vătămare gravă.

- **Salvați toate avertizările și instrucțiunile pentru o consultare ulterioară.**
- Termenul „mașină electrică” utilizat în măsurile de siguranță de mai jos se referă atât la mașinile electrice care se conectează la priză, cât și la mașinile electrice fără fir.
- **Înainte de a realiza reglaje sau de a schimba accesoriile unelei, deconectați ștecherul de la rețea și/sau acumulatorul de la unealtă.** Pomirea accidentală a uneltelor reprezintă cauza multor accidente.
- **Asamblați corect stativul de lucru înainte de a monta unealta.** Asamblarea corectă este esențială pentru prevenirea destabilizării ansamblului în timpul lucrului.
- **Fixați ferm unealta pe stativ înainte de utilizare.** Deplasarea unelei pe stativul de lucru poate cauza pierderea controlului.
- **Plasați stativul de lucru pe o suprafață solidă, plată și perfect orizontală.** Dacă stativul se poate mișca sau balansa, unealta și/sau piesa de prelucrat nu vor putea fi menținute în poziții fixe și riscați să pierdeți controlul asupra operației efectuate.
- **Nu supraîncărcați stativul și nu încercați să îl utilizați ca scară sau schelă.** Supraîncărcarea sau urcarea pe stativ va ridica centrul de greutate al ansamblului și în consecință, va fi posibilă răsturnarea acestuia.

AVERTIZĂRI DE SIGURANȚĂ ALE MAȘINII DE ȘLEFUIT CU BANDĂ

- **Țineți unealta electrică de suprafețele de prindere izolate, deoarece în timpul lucrului suprafața de șlefuire poate atinge propriul cablu.** Tăierea unui conductor sub curent poate expune la curent părțile metalice ale unelei electrice și poate conduce la electrocutarea operatorului.
- ### AVERTIZĂRI SUPLIMENTARE DE SIGURANȚĂ
- **Prindeți piesa de lucru cu un dispozitiv de prindere.** Piesele de lucru nefixate cu clemă pot cauza vătămare gravă și pagube. Nu țineți cu mâna materialul care îl șlefuiți.
 - **Nu folosiți o bandă de șlefuire mai mare decât este necesar.**
 - **Purtați întotdeauna ochelari de protecție și o mască împotriva prafului.**
 - **Trebuie să folosiți o mască de respirat adecvată**

EN
FR
DE
ES
IT
NL
PT
DA
SV
FI
NO
RU
PL
CS
HU
RO
LV
LT
ET
HR
SL
SK
BG
UK
TR
EL

când slefuiți suprafețe acoperite cu vopsea pe bază de plumb și de asemenea pentru anumite tipuri de lemn sau de metal pentru a evita să inhalați praf sau vapori toxici.

- Produsul nu este destinat pentru șlefuire umedă.

RISCURI REZIDUALE

Chiar dacă produsul este folosit așa cum este descris, este totuși imposibil să se elimine complet anumiți factori de risc reziduali. Următoarele pericole ar putea apărea în timpul folosirii iar operatorul trebuie să acorde o atenție specială pentru a evita următoarele:

- prinderea în sau contactul cu banda în mișcare
 - Mai ales în timpul operării inverse, trebuie acordată o atenție suplimentară pentru a se asigura că degetele și mâinile operatorului nu vin în contact cu banda abrazivă sau că acestea nu rămân prinse în role. Folosiți accesoriul paravan oricând e posibil pentru a ajuta la controlul piesei și a preveni prinderea în rola în mișcare.
- Vătămare cauzată de praf.
 - Folosind produsul se va produce o cantitate considerabilă de praf și particule fine. Folosiți dispozitivul de colectare al prafului sau conectați aspiratorul de extragere al prafului atunci când operați produsul. Purtați mască de praf conținând filtre potrivite pentru materialele la care se va lucra. Asigurați aerisire adecvată la locul de muncă. Nu mâncați, beți sau fumați în zona de lucru. Se va lucra numai pe materialele specificate la secțiunea Utilizare intenționată. Nu operați pe materiale (de ex. azbest) care prezintă pericol pentru sănătate.
- risc de explozie
 - Praful fin acumulat se poate aprinde și cauza incendiu. Păstrați zona de lucru curată și fără praf. Sistemele de colectare și cele de aspirare a prafului trebuie să fie curățate regulat și complet. Atunci când șlefuiți metal, pot fi produse scântei fierbinți.
- electrocutare
 - Țineți cablurile de alimentare cu energie și prelungitoarele la distanță față de suprafața de lucru a produsului și de alte suprafețe conductoare.
- zgomot și vibrații
 - Purtați protecție pentru auz când operați produsul. Nu operați produsul pentru perioade lungi de timp.

REDUCEREA RISCLULUI

S-a raportat faptul că vibrațiile produse de unelte manuale pot contribui, la anumite persoane, la o afecțiune denumită Sindromul Raynaud. Simptomele pot include furnicăături, amorțeală și albirea degetelor, care apare, de obicei, după expunerea la frig. Factori ereditari, expunerea la frig și umiditate, dieta, fumatul și practicile de muncă contribuie la dezvoltarea acestor simptome. Există măsurători care pot fi efectuate de către operator pentru a reduce efectele de vibrațiilor:

- Păstrați-vă temperatura corporală ridicată pe vreme rece. Când operați unitatea purtați mănuși pentru a vă menține mâinile și încheieturile la căldură. S-a constatat

că vremea rece este un factor major care contribuie la sindromul Raynaud.

- După fiecare perioadă de operare, trebuie făcute exerciții pentru a crește circulația sângelui.
- Trebuie făcute pauze la intervale de timp regulate. Limitați expunerea zilnică.

Dacă sunt experimentate oricare dintre simptomele acestei afecțiuni, trebuie întreruptă utilizarea și consultat un medic.

CUNOAȘTEȚI-VĂ PRODUSUL

Vezi pagina 109.

1. Reglaj viteză (EBS800V)
2. Mâner frontal, suprafața de contact izolată
3. Buton de ajustare a mânerului frontal
4. Buton rotativ de ajustare a benzii de șlefuire
5. Buton de blocare
6. Mâner principal, suprafața de contact izolată
7. Capac cutie de praf
8. Cutie de praf
9. Clemă (EBS800V)
10. Declanșator
11. Levier de eliberare a benzii de șlefuire
12. Opritor șlefuire (EBS800V)
13. Bandă de șlefuire
14. Cadru șlefuire (EBS800V)
15. Buton rotativ de ajustare a cadrului de șlefuire (EBS800V)

OPERAREA

- Nu operați produsul fără banda corespunzător potrivită și întinsă. O bandă incorect întinsă poate să se desprindă de pe produs și să cauzeze vătămare personală sau deteriorarea mașinii de șlefuit.
- Fixați piesa de lucru în menghină sau cu cleme pe bancul de lucru corespunzător. Acest lucru previne ca piesa de lucru să devină un obiect aruncat.
- Folosiți mânerul furnizat pentru a ține și controla produsul cu ambele mâini.
- Nu forțați unealta. Folosiți produsul corect pentru aplicația dvs. Produsul corect va îndeplini sarcina mai bine și mai în siguranță la un ritm pentru care a fost proiectat.
- Nu aplicați o presiune excesivă asupra produsului. Lăsați ca greutatea produsului să aplice presiunea corectă și folosiți mâinile pentru a ghida mașina de șlefuit. Presiunea excesivă va suprasolicita produsul și va deteriora motorul. Aplicarea unei presiuni mai mari nu va îndepărta mai mult material ci va reduce eficiența șlefuirii.
- Schimbați des banda de șlefuire pentru a menține capacitatea produsului pentru a îndepărta eficient materialul.
- Porniți produsul folosind întrerupătorul trăgaci și lăsați banda să obțină viteza corectă. Apoi coborâți banda pe piesa de lucru. Țineți produsul fix cu ambele mâini întrucât mișcarea benzii va acționa produsul înspre înainte.
- Alegeți o bandă cu dimensiune corectă și abrazivitate corespunzătoare pentru sarcină. Folosiți benzi cu

o granulație mai rară pentru a îndepărta mai mult material, și o granulație mai ridicată pentru a îndepărta mai puțin material și a finisare mai fină. Înlocuiți banda dacă devine deteriorată, înfundată de resturi sau dacă este uzată.

- Este normal să șlefuiți și să mutați produsul înainte și înapoi de-a lungul fibrei materialului. Șlefuirea de-a latul fibrei va funcționa dar va rezulta într-o suprafață zgâriată și deteriorată.

⚠️ AVERTISMENT

Praful de la anumite vopsele, tencuieli și materiale pot cauza iritații sau reacții alergice ale sistemului respirator. Praful de la lemn precum stejarul, fagul, PAL-ul și altele sunt cancerigene. Materialul conținând azbest trebuie să fie prelucrat sau procesat doar ce către operatori specialiști calificați.

- Folosiți colectorul de praf sau conectați portul de praf la un dispozitiv de aspirare pentru a reduce riscurile asociate cu particulele de praf.
- Toate persoanele din cadrul zonei de lucru sau din vecinătatea ei trebuie să poarte măști împotriva prafului care oferă o protecție corespunzătoare.
- Purtați întotdeauna ochelari de protecție sau ochelari cu protecții laterale atunci când operați astfel de produse.
- Folosiți rama de șlefuire și accesoriul paravan atunci când folosiți produsul în modul răsturnat de operare. Folosirea de atașamente ajută la controlul poziției piesei de lucru și previne contactul accidental cu banda în mișcare și cu rolele.
- Când folosiți în modul răsturnat, produsul trebuie să fie prins adecvat de un banc de lucru corespunzător folosind clemele accesoriu furnizate. Vedeți graficul cu instrucțiuni mai târziu în acest manual.

⚠️ AVERTISMENT

Poti fi cauzate, sau agravate vătămări prin folosirea prelungită a sculei. Atunci când folosiți o sculă pentru perioade prelungite, asigurați-vă că luați pauze regulate.

ÎNȚEȚINEREA

⚠️ AVERTISMENT

Produsul nu trebuie conectat niciodată la priză atunci când asamblați părțile, faceți reglaje, curățați sau faceți întreținerea, sau atunci când părodsul nu este folosit. Deconectarea produsului de la alimentare va preveni pornirea accidentală, care poate provoca răniri grave.

⚠️ AVERTISMENT

La efectuarea service-ului, folosiți doar piese de schimb, accesorii și atașamente originale ale producătorului. Utilizarea altor piese poate crea situații periculoase sau poate conduce la deteriorarea produsului.

⚠️ AVERTISMENT

Nu lăsați niciun moment ca lichidele de frână, produsele pe bază de petrol, uleiurile penetrante etc să intre în contact cu părțile din plastic. Aceste produse chimice conțin substanțe care pot distruge, fragiliza sau deteriora plasticul.

Evitați utilizarea solvenților atunci când curățați piesele din plastic. Majoritatea materialelor plastice pot să fie deteriorate prin utilizarea unor solvenți vânduți în comerț. Utilizați o cârpă curată pentru a curăța murdăriile, praful etc.

Aparatele electrice utilizate pentru fibra de sticlă, plăci de fibră, compozi de mastic sau ipsos sunt supuse uzurii accelerate și riscului de deteriorare prematură, deoarece așchiile și resturile provenind din prelucarea fibrei de sticlă sunt foarte abrazive pentru rulmenți, bușe, comutatoare etc. Nu recomandăm folosirea produsului pentru perioade prelungite de timp pe aceste tipuri de materiale.

După fiecare folosire, îndepărtați banda și colectorul de praf dacă sunt conectate. Curățați colectorul de praf așa cum este arătat în ilustrațiile din acest manual. Curățați produsul în întregime cu o perie, o cârpă uscată și cu aspiratorul.

⚠️ AVERTISMENT

Nu folosiți aer comprimat pentru a sufla praful de pe produs pentru a preveni vătămarea gravă a ochilor.

⚠️ AVERTISMENT

În cazul în care cablul de alimentare este deteriorat, trebuie înlocuit cu un cablu sau montaj special disponibil la producător sau agentul service. Contactați centrul service autorizat.

Pentru o mai mare siguranță și încredere, toate reparațiile trebuie să fie realizate la un centru service autorizat.

Toate componentele acestei unelte sunt lubrificate cu o cantitate suficientă de lubrifiant de înaltă calitate ce vizează durata de viață a unității în condiții de operare obișnuite. În consecință, nici o ungere suplimentară nu este necesară.

PROTECȚIA MEDIULUI ÎNCONJURĂTOR



Reciclați materiile prime în loc să le aruncați la gunoi, împreună cu deșeurile menajere. Pentru a proteja mediul înconjurător, mașina, accesoriile acesteia și ambalajele trebuie triate.

SIMBOL



Avertizare de siguranță

V Volți

Hz Herți

-  Curent alternativ
- W** Wați
- n_o Viteză în gol
- min⁻¹** Număr de rotații sau de mișcări pe minut
- CE** Conform CE
- EAC** Marcaj de conformitate EurAsian
-  Semn de conformitate ucrainean
-  Clasa II, dublu izolat
-  Citiți instrucțiunile cu atenție înainte de pornirea produsului.
-  Purtați echipamente de protecție a auzului
-  Purtați echipamente de protecție a vederii
-  Deșeurile produselor electrice nu trebuie să fie înălțurate împreună cu deșeurile casnice. Vă rugăm să reciclați acolo unde există facilități. Verificați la autoritatea dvs. locală sau la vânzător pentru sfaturi privind reciclarea.

SIMBOLURILE DIN MANUAL

-  NOTĂ
-  Conectați la sursa de curent.
-  Deconectați de la sursa de curent.
-  Piedică
-  Deblocare
-  Viteză, minim
-  Viteză, maxim

Rămătoarele cuvinte simbol și înțelesul lor au intenția de a explica nivelele de risc asociate cu acest produs.

PERICOL

Indică o situație imediată de pericol, care dacă nu este evitată va rezulta în deces sau rănire gravă.

AVERTISMENT

Indică o situație potențială de pericol, care dacă nu este evitată poate rezulta în deces sau rănire gravă.

PRECAUȚIE

Indică o situație potențial periculoasă, care dacă nu este eviată, poate rezulta în vătămare minoră sau moderată.

PRECAUȚIE

(Fără simbol de alertă de siguranță) Indică o situație ce poate rezulta în distrugerea proprietății.



Drošība, sniegums un uzticamība ir augstākā prioritāte jūsu lentes slīpmašīna.

PAREDZĒTĀ LIETOŠANA

Lentas slīpmašīna ir paredzēta lietošanai tikai pieaugušajiem, kas ir izlasījuši un izpratuši norādes un brīdinājumus šajā rokasgrāmatā, un var tikt uzskatīti par atbildīgiem par savām darbībām.

Šis produkts ir paredzēts metāla, koka, plastikāta un līdzīgu materiālu slīpēšanai. Preci jāizmanto tikai labi ventilētās vietās. Preci jāizmanto tikai labi ventilētās vietās.

Prece ir paredzēta tikai sausai slīpēšanai. Neizmantojiet šo ierīci mitrajai slīpēšanai.

Operators lentes slīpmašīnu var lietot rokas režīmā un virzīt to manuāli pa slīpējamo virsmu. Apstrādājams materiāls jānostiprina uz izturīgas un stabilas platformas.

Lentes slīpmašīnu var darbināt apvērsta režīmā, piestiprinot darbāgaldam ar ražotāja piederumiem. Apvērsta režīmā operators virza slīpējamo materiālu pa slīpēšanas lenti.

Produkts paredzēts tikai patērētāju lietošanai.

Neizmantojiet ierīci citiem mērķiem, bet tikai tam paredzētajiem. Izmantojot elektroinstrumentu darbības, kas nav paredzētas, var rasties bīstama situācija.

⚠ BRĪDINĀJUMS

Putekļi no dažādām krāsām, klājumiem un materiāliem var izraisīt kairinājumu vai alerģijas reakcijas elpošanas sistēmai. Putekļi no tādiem kokiem, kā ozols, dižskābardis, šķiedrkokons un citiem ir kancerogēni. Ar azbestu saturošu materiālu būtu jāstrādā tikai kvalificētiem speciālistiem.

⚠ BRĪDINĀJUMS

Izlasiet visus drošības brīdinājumus, instrukcijas, specifikācijas un apskatiet attēlus šī elektroinstrumenta dokumentācijā. Visu uzskaitīto instrukciju neievērošana ir bīstama; tā var izraisīt elektrisko triecienu, aizdegšanos un/vai nopietnas traumas.

Visus brīdinājumus un norādījumus saglabāiet turpmākām uzziņām.

VISPĀRĒJIE DARBA STATĪVA DROŠĪBAS BRĪDINĀJUMI

⚠ BRĪDINĀJUMS

Izlasiet visus drošības brīdinājumus un visas norādes, kas tiek sniegtas kopā ar darba statīvu un uz tā uzstādāmo elektroinstrumentu. Brīdinājumu un instrukciju neievērošana var izraisīt elektrošoku, aizdegšanos un/vai nopietnus ievainojumus.

- Visus brīdinājumus un norādījumus saglabāiet turpmākām uzziņām.
- Termiņš „elektroinstrumenti” brīdinājumā norāda

gan uz elektrotīkla barošanas, gan akumulatora elektroinstrumentiem.

- **Atvienojiet kontaktdakšu no sprieguma avota un/ vai akumulatoru bloku no elektroinstrumenta, pirms veikt jebkādu regulēšanu vai darba piederumu maiņu.** Nejauša elektroinstrumenta ieslēgšanās var izraisīt dažādus negadījumus.
- **Pareizi salieciet darba statīvu, pirms veikt instrumenta uzstādīšanu.** Pareiza salikšana ir būtiska, lai novērstu sagāšanās risku.
- **Pirms lietošanas kārtīgi nostipriniet elektroinstrumentu uz darba statīva.** Elektroinstrumenta kustība uz darba statīva var izraisīt kontroles zaudēšanu.
- **Novietojiet statīvu uz stabilas, plakanas un līdzsvaras virsmas.** Ja darba statīvs var saskrāpēt vai šūpoties, elektroinstrumentu vai apstrādājamo materiālu nevar stabilu un droši kontrolēt.
- **Nepārslēdziet darba statīvu vai neizmantojiet to kā trepes vai sastatnes.** Statīva pārslēgšana vai stāvēšana uz tā rada tā smaguma centra pārvietošanos uz augšu, kas palielina tā apgāšanās iespēju.

LENTE SLĪPMAŠĪNAS DROŠĪBAS BRĪDINĀJUMI

- **Turiet elektroinstrumentu tikai aiz izolētās satveršanas virsmas, jo smilšpapīrs var saskarties ar paša instrumenta vadu.** Spriegumaktīva vada pārgriešana var elektroinstrumentu metālas daļas padarīt “spriegumaktīvas”, un operators var saņemt elektriskās strāvas triecienu.

PAPILDU DROŠĪBAS BRĪDINĀJUMI

- **Nostipriniet apstrādājamo objektu ar nostiprinājuma skavu.** Neiespīlētas sagataves var izraisīt nopietnas traumas un bojājumus. Neturiet slīpējamo materiālu ar roku.
- **Neizmantojiet lielāku slīpēšanas jostu nekā nepieciešams.**
- **Vienmēr valkājiet aizsargbrilles un putekļu masku.**
- **Lai izvairītos no kaitīgu/toksisku putekļu vai gaisa ieelpošanas, svina krāsas, dažu kokmateriālu un metāla slīpēšanas laikā ir jāizmanto piemērots elpošanas respirators.**

PALIEKOŠIE RISKI

Pat tad, ja ierīce tiek lietota, kā aprakstīts, joprojām nav iespējams pilnībā novērst atsevišķus riska faktorus. Lietošanas laikā var rasties šādas briesmas un strādniekam īpaša uzmanība jāpievērš šim:

- iesprūšana vai saskare ar kustīgu lenti
 - Jāievēro papildu piesardzība, lai novērstu lietotāja pirkstu un roku nonākšanu saskarsmē ar smilšpapīra lenti vai iespīšanu ruļļos, it īpaši, lietojot atpakaļgaitā. Izmantojiet aizsegus, kad vien iespējams, lai kontrolētu apstrādājamo materiālu un rokas neiesprūtu starp kustīgiem rullīšiem.
- Putekļu izraisītas traumas
 - Preces izmantošana radīs ievērojamu daudzumu putekļu un sīku daļiņu. Darbinot precī, izmantojiet

EN
FR
DE
ES
IT
NL
PT
DA
SV
FI
NO
RU
PL
CS
RO
HR
SL
SK
BG
UK
TR
EL
LV
LT
ET
HR
SL
SK
BG
UK
TR
EL





puteķļu savākšanas ierīces vai savienojiet ar rūpniecisko puteķļu savācēju. Nēsājiet puteķļu aizsargmaskas, kurām ir materiāliem, ar kuriem strādāsiēt atbilstoši filtri. Darba vietā nodrošiniet atbilstošu ventilāciju. Darba vietā neēdiet, nedzeriet un nesmēķējiet. Izmantojiet tikai uz materiāliem, kas norādīti sadaļā Paredzētais pielietojums. Nedarbiniēt ar materiāliem (piem., azbestiem), kuri ir bīstami veselībai.

- eksplozijas risks
 - Sakrājušies smalkie puteķļi var aizdegties un izraisīt ugunsgrēku. Uzturiet darba vietu tīru un bez puteķļiem. Puteķļu savākšanas un vakuumeļktrakcijas sistēmas regulāri un rūpīgi jātīra. Slīpējot metālu, var rasties karstas dzirksteles.
- strāvas trieciens
 - Turiet vadus un pagarinātājus atstatu no apstrādāšanai paredzētās virsmas un citām elektrību vadošām virsmām.
- troksnis un vibrācija
 - Darbinot ierīci, lietojiet acu aizsarglīdzekļus. Nedarbiniēt precī ilgstošī.

RISKA SAMAZINĀŠANA

Ir ticis ziņots, ka vibrācijas no rokas instrumentiem atsevišķos cilvēkos var veicināt kaiti, ko sauc par Reino sindromu. Simptomi var ietvert pirkstu tinkšķķšanu, nejutīgumu un nobālēšanu, parasti aukstā laikā. Tiek uzskatīts, ka tradicionālie faktori, aukstums un mitrums, uzturs, smēķēšana un darba prakse sekmē šo simptomu attīstību. Operators var veikt pasākumus, lai iespējami samazinātu vibrācijas efektu:

- Aukstā laikā ķermenim jābūt siltam. Darbinot ierīci, nēsājiet cimds, lai rokas un plaukstas ločītavas būtu siltas. Ir pētījumi, ka auksts laiks ir galvenais faktors, kas veicina Reino sindromu.
- Ik pēc laika apturiet darbu un veiciet vingrinājumus, kas uzlabo asins cirkulāciju.
- Strādājot jābūt biežiem pārtraukumiem. Ierobežojiet iedarbības ilgumu dienā.

Ja jūs izjūtat kādu no šiem simptomiem, nekavējoties apturiet ierīces lietošanu un sazinieties ar ārstu par šiem simptomiem.

PAZĪSTIET SAVU IERĪCI

Skatīt 109. lpp.

1. Ātruma regulēšanas rīpa (EBS800V)
2. Priekšējais rokturis, izolēta satveršanas virsma
3. Priekšējā roktura regulēšanas skrūve
4. Smilšpapīra lentas regulēšanas poga
5. Bloķēšanas poga
6. Galvenais rokturis, izolēta satveršanas virsma
7. Puteķļu savācēja vāks
8. Puteķļu savācējs
9. Skava (EBS800V)
10. Palaides slēdzis
11. Smilšpapīra lentes atbrīvošanas svira
12. Slīpēšanas malas atdure (EBS800V)
13. Slīplente

14. Slīpēšanas rāmis (EBS800V)
15. Slīpēšanas rāmjā regulēšanas poga (EBS800V)

EKSPLUATĀCIJA

- Nedarbiniēt ierīci bez pareizi uzstādītas lentes. Nepareizi uzstādīta lente var noslidēt no ierīces un izraisīt miesas bojājumus vai sabojāt slīpmašīnu.
- Nostipriniet apstrādājamo materiālu ar skrūvspīlēm vai skavām pie piemērota darba galda. Tādējādi jūs izvairīsieties no apstrādājamā materiāla lidošanas.
- Izmantojiet iekļautos rokturus, lai noturētu un kontrolētu ierīci ar abām rokām.
- Nepārslogojiet instrumentu. Izmantojiet attiecīgajam darbam piemērotu ierīci. Piemērota ierīce darbu paveiks labāk un drošāk, un tā, kā tā ir paredzēta.
- Neizmantojiet pārmērīgu spiedienu uz ierīci. Ļaujiet ierīces svaram radīt pareizo spiedienu un ar roku palīdzību vadiet slīpmašīnu. Pārmērīgs spiediens pārslēgos ierīci un sabojās motoru. Izdarot lielāku spiedienu, netiks noslīpēts vairāk no materiāla virsmas, bet tā vietā samazināsies slīpēšanas efektivitāte.
- Mainiet slīpēšanas lenti bieži, lai ierīce varētu efektīvi noslīpēt materiālu.
- Iedarbiniēt ierīci, izmantojot slēdzi, un ļaujiet lentei sasniegt pareizo ātrumu. Pēc tam nolaidiet lenti līdž apstrādājamam materiālam. Turiet ierīci stingri ar abām rokām, jo lentes kustība pavirzīs ierīci uz priekšu.
- Izvēlieties pareizā izmēra lenti un attiecīgajam darbam piemērotu raupjumu. Izmantojiet lentes ar mazāku raupjuma skaitli, lai noslīpētu vairāk materiāla, bet lielāku raupjuma skaitli, lai noslīpētu mazāk materiāla un smalkākai apdarei. Nomainiet lenti, ja tā ir bojāta, pilna ar puteķļiem vai nodilusi.
- Jūs varat slīpēt un virzīt ierīci uz priekšu un atpakaļ pa materiāla šķiedru. Slīpējot pāri šķiedrai, jūs saskrāpēsiet un sabojāsiet virsmu.

▲ BRĪDINĀJUMS

Puteķļi no dažādām krāsām, klājumiem un materiāliem var izraisīt kairinājumu vai alerģijas reakcijas elpošanas sistēmai. Puteķļi no tādiem kokiem, kā ozols, dižskābardis, šķiedrkartons no citiem ir kancerogēni. Ar azbestu saturošu materiālu būtu jāstrādā tikai kvalificētiem speciālistiem.

- Izmantojiet puteķļu savācēju vai pievienojiet puteķļu sūcēju pie puteķļu atveres, lai samazinātu ar puteķļu daļiņām saistītus risks.
- Visām personām darba zonā vai tās tuvumā jālieto puteķļu maskas ar atbilstošu aizsardzību.
- Strādājot ar produktu, obligāti valkājiet aizsargbrilles ar sānu aizsargiem.
- Izmantojiet slīpēšanas rāmi un aizsegu, darbinot ierīci apvērsta režīmā. Palīgpiederumi palīdz kontrolēt apstrādājamā materiāla novietojumu un novērš nejaušu saskari ar kustīgu lenti un rullīšiem.
- Lietojot apvērsto režīmu, ierīce attiecīgi jāpiestiprina pie darba galda, izmantojot iekļautās skavas. Apskatiet grafiskos norādījumus rokasgrāmatas beigās.



⚠ BRĪDINĀJUMS

Ilgstoša instrumenta lietošana var izraisīt traumas vai pasliktināt veselības stāvokli. Ilgstoši lietojot jebkuru instrumentu, pārliecinieties, ka tiek veikti regulāri pārtraukumi.

APKOPE

⚠ BRĪDINĀJUMS

Produktu nekad nedrīkst pievienot barošanas padevei, veicot daļu montāžu, regulēšanu, tīrīšanu vai apkopi, kā arī laikā, kad tas netiek izmantots. Elektrības vada atvienošana no sprieguma padeves novērsīs nejašu ieslēgšanu, kas var izraisīt smagus ievainojumus.

⚠ BRĪDINĀJUMS

Saņemot, izmantojiet tikai oriģinālas ražotāja rezerves daļas, piederumus un pielikumus. Jebkādi citu detaļu izmantošana var izraisīt bīstamību vai produkta bojājumus.

⚠ BRĪDINĀJUMS

Nekādā gadījumā plastmasas daļām neļaujiet nonākt saskarē ar bremžu šķidrums, benzīnu, naftas izstrādājumiem, eļļām ar paaugstinātu mitrināšanas spēju utt. Ķīmikālijas var sabojāt, novājināt vai iznīcināt plastmasu, kas var izraisīt nopietnas personīgās traumas.

Tirot plastmasas daļas, izvairieties no šķīdinātāju lietošanas. Vairums plastmasu ir jutīgas pret dažāda veida pārdošanā esošajiem šķīdinātājiem un to izmantošanas rezultātā var tikt bojātas. Izmantojiet tīru drānu, lai notīrītu netīrumus, oglekļa putekļus utt.

Elektroinstrumenti, kurus izmanto stikla šķiedras materiāla, ģipsa plāksnes, plastikāta savienojumu vai apmetuma apstrādei, ātrāk nodilst un var priekšlaicīgi nolietoties, jo stikla šķiedras šķembas un putekļi ļoti abrazīvi iedarbojas, piemēram, uz gultņiem, sukām un komutatoriem. Nav ieteicams lietot ierīci ilgstoši, griežot šāda veida materiālus.

Pēc katras lietošanas reizes noņemiet lenti un putekļu savācēju, ja tas ir uzlikts. Izīriiet putekļu savācēju, kā parādīts rokasgrāmatas ilustrācijās. Rūpīgi notīriet ierīci ar suku, sausu drāniņu un putekļu sūcēju.

⚠ BRĪDINĀJUMS

Neizmantojiet saspiestu gaisu putekļu nopūšanai no ierīces, lai nepieļautu nopietnas acu traumas.

⚠ BRĪDINĀJUMS

Ja padeves vads ir bojāts, to nepieciešams aizvietot ar speciālu vadu vai papildus vadu, kas pieejams pie ražotāja vai tā pakalpojumu sniedzēja aģenta. Sazinieties ar pilnvarotu servisa centru.

Lielākas drošības un uzticamības labad visi remontu jāveic pilnvarotā apkopes centrā.

Visi gultņi šajā instrumentā tiek eļļoti ar pietiekamu daudzumu augstas kvalitātes smērvielas, lai ierīce normālas lietošanas režīmā kalpotu visu darbmužu. Tāpēc papildu eļļošana nav nepieciešama.

VIDES AIZSARDZĪBA



Tā vietā, lai izejmateriālus izmestu atkritumos, nododiet tos atsevišķai pārstrādei. Mašīna, aksesuāri un iepakojums ir jāsašķiro un jānodod videi draudzīgā atkārtotas pārstrādes vietā.

SIMBOLS



Drošības brīdinājums

V

Volti

Hz

Herci

~

Maiņstrāva

W

Vati

n_o

Apgrīzieni bez slodzes

min⁻¹

Apgrīzieni minūtē



CE atbilstība



EurAsian atbilstības marķējums



Ukrainas apstiprinājuma zīme



II klase, dubulta izolācija



Pirms iedarbināt izstrādājumu, lūdz, uzmanīgi izlasiet norādījumus.



Lietojiet dzirdes aizsargus



Valkājiet acu aizsarglīdzekļus



Izlietotie elektroprodukti nedrīkst tikt izmesti kopā ar mājsaimniecības atkritumiem. Lūdz, nododiet tos attiecīgajās atkārtošanas vietās. Sazinieties ar savu vietējo varas pārstāvi vai izplatītāju, lai noskaidrotu, kur iespējama atkārtota pārstrāde.

SIMBOLI ROKASGRĀMATĀ



PIEZĪME



Pievienojiet elektropadevei.



Atvienojiet no elektropadeves.



Bloķētājs



Atbloķēt



Apgriezieni, minimālais



Apgriezieni, maksimums

Lai izskaidrotu risku, kas saistīti ar izstrādājumu, līmeni, paredzēti šādi norādījuma vārdi un jēdzieni.

BĪSTAMI

Norāda uz nenovēršami bīstamu situāciju, kas, ja netiks novērsta, izraisīs nāvi vai nopietnus miesas bojājumus.

BRĪDINĀJUMS

Norāda uz potenciāli bīstamu situāciju, kas, ja netiks novērsta, var izraisīt nāvi vai nopietnus miesas bojājumus.

UZMANĪBU

Norāda uz potenciāli bīstamu situāciju, kas, ja netiek novērsta, var izraisīt vieglus vai vidējus miesas bojājumus.

UZMANĪBU

(Bez drošības trauksmes simbola), kas norāda, uz situāciju, kas var novest pie īpašuma bojājuma.



Projektuojant diržinį šlifukoį, didžiausias prioritetas suteiktas saugai, eksploatacinėms savybėms ir patikimumui.

NAUDOJIMO PASKIRTIS

Šis juostinis šlifukoįs yra skirtas naudoti tik suaugusiems, kurie yra perskaitę ir supratę šiame vadove pateiktus nurodymus bei įspėjimus ir gali būti laikomi atsakingais už savo veiksmus.

Šis įrenginys skirtas metalui, medienai, plastikams ar panašioms medžiagoms šlifuoti. Juo taip pat galima nuo paviršiu pašalinti dažus, laką ir rūdis. Gaminį galima naudoti tik gerai vėdinamoje vietoje.

Gaminys skirtas šlifavimui sausuju būdu. Gaminio negalima naudoti šlifavimui šlapiuoju būdu.

Juostinį šlifukoį galima naudoti rankiniu režimu ir rankiniu būdu uždedant ant ruošinio šlifuojamojo paviršiaus. Ruošinys turi būti pritvirtintas prie tvirtos ir stabilios platformos.

Juostiniu šlifukoį galima šlifuoti atbuline eiga, pritvirtinus prie darbastalio gamintojo pateiktais priedais. Šlifuojant atbuline eiga, šlifuojamasis ruošinys nukreipiamas ant šlifavimo juostos.

Įrenginys skirtas tik asmeniniam naudojimui namų ūkyje.

Gaminį galima naudoti tik pagal paskirtį. Naudokite elektrinį įrankį tik pagal tiesioginę paskirtį, kitaip sukelsite pavojingą situaciją.

⚠ ĮSPĖJIMAS

Tam tikrų dažų, gruntų ir medžiagų dulkės gali dirginti ar sukelti alergines kvėpavimo sistemos reakcijas. Ažuolo, beržo, medienos plaušų plokščių ir kitos dulksės kancerogeninės. Medžiagas, kurių sudėtyje yra asbesto, gali pjauti ar apdirbti tik kvalifikuoti specialistai.

⚠ ĮSPĖJIMAS

Perskaitykite visus saugos įspėjimus, visas instrukcijas, paveikslėlius ir techninius reikalavimus, pateikiamus su šiuo elektriniu įrankiu. Apačioje išdėstytų instrukcijų nesilaikymas gali sukelti elektros smūgį, gaisrą ir (ar) sunkius sužeidimus.

Kad tinkamai naudotumėte įrankį, žr. visus perspėjimus ir nurodymus.

DARBINIO STOVO BENDRO POBŪDŽIO SAUGOS ĮSPĖJIMAI

⚠ ĮSPĖJIMAS

Perskaitykite visus saugos įspėjimus ir visas su darbinio stovu ir ant jo montuojamu įrankiu pateikiamas instrukcijas. Įspėjimų ir instrukcijų nesilaikymas gali sukelti elektros smūgį, gaisrą ir (ar) sunkius sužeidimus.

■ **Kad tinkamai naudotumėte įrankį, žr. visus perspėjimus ir nurodymus.**

- Terminas „elektros įrankis“ įspėjimuose reiškia jūsų iš tinklo arba baterija (belaidį) maitinamą elektros įrankį.
- **Ištraukite kištuką iš energijos šaltinio ir (arba) iš variklinio įrankio akumuliatorių ir tik po to atlikite reguliavimus arba keiskite priedus.** Kai kurie nelaimingi atsitikimai kilo dėl to, kad varikliniai įrenginiai būdavo netyčia jungiami.
- **Prieš montuodami įrankį tinkamai surinkite darbinį stovą.** Tinkamas surinkimas yra svarbu, kad stovas nenuvirstų.
- **Prieš naudodami patikimai pritvirtinkite variklinį įrankį prie darbinio stovo.** Jei variklinis įrankis ant stovo pasislinks, galima prarasti įrankio kontrolę.
- **Darbinį stovą pastatykite ant tvirto, plokščio ir lygaus paviršiaus.** Jei darbinis stovas gali palinkti arba pasvirti, variklinio įrankio ar ruošinio negalima stabiliai ir saugiai valdyti.
- **Neperkraukite darbinio stovo ir nenaudokite jo kaip kopėčių ar pastolių.** Jei darbinis stovas patina perkrovą arba jei ant jo stovima, svorio centras gali pasislinkti į viršų ir jis gali apvirsti.

JUOSTINIO ŠLIFUOKLIO SAUGOS ĮSPĖJIMAI

- **Elektrinį įrankį laikykite tik už izoliuotų paviršių, nes šlifavimo paviršius gali kliudyti paties įrankio laidą.** Pjaunant laidą, prijungtą prie maitinimo šaltinio, metalinės elektrinio įrankio detalės gali būti aktyvuotos ir sukelti operatoriui elektros smūgį.

PAPILDOMI SAUGOS PERSPĖJIMAI

- **Suspauskite ruošinį spautuvu.** Neprispausti ruošiniai gali pajudėti ir sukelti sunkių traumų ar apgadinti vietą, prie kurios yra tvirtinami. Šlifuojamos medžiagos negalima laikyti ranka.
- **Nenaudokite didesnės šlifavimo juostos nei reikia.**
- **Būtina dėvėti apsauginius akinius ir dulkių kaukę.**
- **Šlifudami švino dažus, tam tikras medienos rūšis ir metalą dėvėkite respiratorių, kad neįkvėptumėte nodingų / žalingų dulkių arba oro.**

ŠALUTINIS PAVOJUS

Net naudojant gaminį griežtai pagal paskirtį neįmanoma visiškai atmesti kai kurių liktinių rizikos veiksnių. Naudojant gali kilti toliau nurodyti pavojai ir naudotojas turi būti ypatingai atsargus, kad išvengtų šių pavojų:

- Galūnių įkišimas arba prisilietimas prie judančios juostos
 - Privaloma imtis papildomų saugumo priemonių, ypač naudojant įrankį apverstai, kad naudotojas neprisiliestų pirštais ir rankomis prie šlifavimo juostos arba pirštų neįtrauktų velenai. Esant galimybei, reikia statyti aptvėrimą, kad būtų galima geriau valdyti ruošinį ir apsaugoti galūnes nuo įkišimo į judantį volelį.
- Dulkių sukeliama žala
 - Naudojant gaminį susidaro dideli kiekiai dulkių bei smulkiųjų dalelių. Apdorojant medžiagas šiuo gaminiumi reikia naudoti dulkių surinktuvą arba dulkių siurbį. Būtina dėvėti dulkių apsaugines

EN
FR
DE
ES
IT
NL
PT
DA
SV
FI
NO
RU
PL
CS
HU
RO
LV
LT
ET
HR
SL
SK
BG
UK
TR
EL





kaukes su specialiais filtrais, skirtais apsaugoti nuo apdorojamų medžiagų. Darbo vieta turi būti tinkamai vėdinama. Darbo vietoje negalima valgyti, gerti ar rūkyti. Apdorokite tik tas medžiagas, kurios yra nurodytos numatytosios naudojimo paskirties skyriuje. Negalima gręžti medžiagų (arba į jas sukti ar išsukti sriegius bei varžtus), kurios kelia pavojų sveikatai (pvz., asbestas).

- Sprogimo pavojus
 - Susikaupusios smulkios dulkelės gali užsidegti ir sukelti gaisrą. Darbo vieta turi būti švari ir nedulkėta. Dulkių surinkimo ir ištraukimo vakuumu sistemos turi būti reguliariai ir kruopščiai valomos. Šlifuojant metalą, gali pažirti karštos kibirkštys.
- Žuvinimas nuo elektros srovės
 - Patraukite maitinimo ir ilginamuosius kabelius, kad jų nebūtų įrankio veikimo zonoje ir ant kitų laidžiųjų paviršių.
- Triukšmas ir vibracija
 - Naudojant gaminį reikia dėvėti ausų apsaugos priemonės. Gaminio negalima naudoti ilgai.

RIZIKOS MAŽINIMAS

Turime pranešimų, kad vibracija nuo ranka laikomų įrankių kai kuriems asmenims gali turėti neigiamos įtakos vystantis Raynaud sindromui. Šios ligos požymiai yra pirštų dilgčiojimas, nutirpimas ir pabalimas, paprastai pasireiškiantis nuo šalčio. Šie simptomai vystosi dėl paveldimų veiksnių, nesisaugant nuo šalčio ir drėgmės, dėl mitybos, rūkymo ir darbo praktikos. Operatorius gali imtis šių priemonių, kurios gali sumažinti vibracijos poveikį:

- Apsirenkite kuo šilčiau šaltu oru. Dirbant šiuo prietaisu mūvėkite pirštines, kad plaštakos ir riešai būtų laikomi šiltai. Turime pranešimų, kad Raynaud sindromas labiausiai vystosi nuo šalto oro sąlygų.
- po darbo kiekvieną kartą pasportuokite, kad pagerėtų kraujo apytaka;
- dažnai darykite darbo pertraukas. Apribokite darbo laikotarpį per dieną.

Jei jums pasireiškia kokie nors šios būklės simptomai, nedelsdami nutraukite darbą ir kreipkitės į gydytoją.

GERAI IŠMANYKITE APIE GAMINĮ

Žiūrėti 109 psl.

1. Greičio reguliatorius (EBS800V)
2. Priekinė rankena, izoliuotu paviršiumi
3. Priekinės rankenos reguliavimo mygtukas
4. Šlifavimo diržo reguliavimo rankenėlė
5. Užrakinimo mygtukas
6. Pagrindinė rankena, izoliuotu paviršiumi
7. Dulkių surinkimo dėžės dangtis
8. Dulkių surinkimo dėžė
9. Veržtuvas (gnybtas) (EBS800V)
10. Perjungiklis
11. Šlifavimo diržo atleidimo svirtis
12. Šlifavimo staklių stabdiklis (EBS800V)
13. Šlifavimo juosta
14. Šlifavimo rėmas (EBS800V)
15. Šlifavimo rėmo reguliavimo rankenėlė (EBS800V)

VEIKIMAS

- Gaminio negalima naudoti, jeigu šlifavimo juosta netinkamai įtempta ar uždėta. Netinkamai įtempta šlifavimo juosta gali nuslysti nuo gaminio ir sužaloti operatorių arba apgadinti šlifukoį.
- Ruošinį reikia pritvirtinti prie tinkamo darbatalio spaustu arba veržtuvu. Taip ruošinys nenuslys nuo šlifavimo juostos.
- Gaminį reikia laikyti ir valdyti abiem rankomis laikant už specialių rankenėlių.
- Nenaudokite įrankio jėga. Reikia pasirinkti ir naudoti tinkamą paskirčiai gaminį. Tinkamu gaminiu šlifavimo darbai bus atliekami geriau, saugiau ir reikiamu projekciniu greičiu.
- Gaminio negalima pernelyg spausti. Gaminys savo svoriu turi reikimai prispausti ruošinį, o ranka reikia nukreipti šlifukoį. Per daug spaudžiant gaminys gali būti perkraunamas ir galima pakenkti variklį. Stipriau spaudžiant nepavyks nušifuoti daugiau medžiagos priešingai, šlifavimas bus mažiau veiksmingas.
- Reikia dažnai keisti šlifavimo juostą, kad gaminys veiksmingai šlifuotų medžiagą.
- Gaminys paleidžiamas jungikliu ir palaukiama, kol juosta pradeda judėti reikiamu greičiu. Tada juosta nuleidžiama ant ruošinio. Gaminį reikia tvirtai laikyti abiem rankomis, nes judėdama juosta stumia gaminį į priekį.
- Kiekvienai šlifavimo užduočiai reikia pasirinkti tinkamo dydžio bei šurkštumo juostą. Norint nušifuoti daugiau medžiagos, reikia naudoti mažesnio numerio šlifavimo juostas; didesnio numerio šlifavimo juostomis pašalinama mažiau medžiagos ir paviršiai nušlifuojami glotniau. Pažeistą, apsinešusią nešvarumais ar susidėvėjusią juostą reikia pakeisti nauja.
- Šlifuojant įprasta stumti šlifukoį pirmyn ir atgal pagal medžiagos pluoštą. Šlifuoti skersai pluošto galima, tačiau tokiu būdu apdorojant paviršius subraižomas ir apgadinas.

⚠ ĮSPĖJIMAS

Tam tikrų dažų, gruntų ir medžiagų dulksės gali dirginti ar sukelti alergines kvėpavimo sistemos reakcijas. Ažuolo, beržo, medienos plaušų plokščių ir kitos dulksės kancerogeninės. Medžiagas, kurių sudėtyje yra asbesto, gali pjauti ar apdirbti tik kvalifikuoti specialistai.

- Reikia naudoti dulkių surinktuvę arba prijungti dujų išleidimo angą prie dulkių siurblio, kad dulkių dalelės keltų kuo mažiau pavojų.
- Visi asmenys darbo zonoje arba arti jos turi dėvėti atitinkamas dulkių apsaugines kaukes.
- Darbo metu visada dėvėkite apsauginius akinius arba akinius su šonine apsauga.
- Šlifuojant atbuline eiga, reikia naudoti šlifavimo rėmą ir aptvėrimo įtaisus. Šie priedai padeda kontroliuoti ruošinio padėtį ir apsaugoti nuo atsitiktinio sąlyčio su judančia juosta bei voleliais.
- Šlifuojant atbuline eiga, gaminys turi būti gerai



pritvirtintas prie reikiamo darbastalio pateiktais veržtuvais. Žiūrėkite grafinius nurodymus šiame vadove toliau.

ĮSPĖJIMAS

Ilgai naudojant įrankį, galima susižaloti arba pakenkti sveikatai. Ilgiau naudojant įrankius, reikia reguliariai daryti pertraukas.

PRIEŽIŪRA

ĮSPĖJIMAS

Perforatoriaus jokia būdu negalima jungti į maitinimo šaltinį montuojant dalis, reguliuojant, valant, atliekant priežiūros darbus ar jo nenaudojant. Atjungę įrenginį nuo elektros tinklo išvengsite netyčinio paleidimo, kuris gali tapti sunkaus susižalojimo priežastimi.

ĮSPĖJIMAS

Atlikdami techninę priežiūrą, naudokite tik originalias gamintojo atsargines dalis, priedus ir įtaisus. Kitų detalių naudojimas gali sukelti pavojų ar sugadinti įrankį.

ĮSPĖJIMAS

Stabdžių skysčiai, gazolinai ir benzino produktai, skvarbios alyvos ir pan. jokia būdu negali patekti ant plastiko dalių. Juose yra chemikalų, kurie gali sugadinti, pažeisti arba susilpninti plastiką.

Valydami plastikines detales, nenaudokite tirpiklių. Daugelis plastikų jautrūs įvairių tipų komerciniams tirpikliams ir juos naudojant galima pažeisti plastikines detales. Valydami purvą, anglies dulkes ir kt. naudokite švarią šluostę.

Su stiklo pluošto medžiagomis, sieninėmis plokštėmis, kibirkščiuojančiais junginiais ar tinku darbo metu naudojami elektriniai įrankiai greitai susidėvi ir sugenda todėl, kad stiklo pluošto atplaišos ir šlifavimo likučiai agresyviai veikia guolius, šepetčius, komutatorius, ir t. t. Nepatartina labai ilgai gaminiu pjauti šio tipo medžiagų.

Atlikus darbą, reikia nuimti juostą ir, jeigu uždėta, dulkių surinktuvę. Dulkių surinktuvę reikia valyti vadovaujantis iliustracijomis, pateiktomis šiame vadove. Gaminys kruopščiai valomas šepetčiu, sausa skepeta ir dulkių siurbliu.

ĮSPĖJIMAS

Dulkių negalima nupūsti suspaustu oru, nes taip galima sunkiai susižaloti akis.

ĮSPĖJIMAS

Jeigu maitinimo laidas pažeisats, jį reikia pakeisti specialiu laidu ar montažo dalimis, kurias galima įsigyti iš gamintojo ar pardavimo atstovo techninio aptarnavimo centro. Kreipkitės į įgaliotąjį techninio aptarnavimo centrą.

Kad būtų saugiau ir patikimiau, visus remonto darbus turi atlikti įgaliotasis techninio aptarnavimo centras.

Kad įrankis ilgai veiktų normaliomis darbo sąlygomis, visi šio įrankio guoliai tepami užpilant pakankamą kiekį aukštos kokybės tepalo. Todėl daugiau jo tepti nebereikia.

APLINKOS APSAUGA



Žaliavines medžiagas perdirbkite pakartotinai, o ne išmeskite kaip atliekas. Mechanizmas, priedai ir pakuotės turi būti laikomi pakartotinai perdirbti aplinkai nekenksmingu būdu.

SIMBOLIAI



Pranešimas apie saugumą

V

Voltais

Hz

Hercai

~

Kintamoji srovė

W

Vatai

n₀

Greitis be apkrovimo

min⁻¹

Apsukos ar judėjimas per minutę



CE suderinimas



„EurAsian“ atitikties ženklas



Ukrainos atitikties ženklas



II klasė, dviguba izoliacija



Prieš pradėdami naudoti šį prietaisą, prašome atidžiai perskaityti šias instrukcijas.



Dėvėkite klausos apsaugos priemones



Dėvėkite akių apsaugos priemones



Elektrinių produktų atliekos neturi būti metamos kartu su namų ūkio atliekomis. Prašome perdirbkite jas ten, kur yra tokios perdirbimo bazės. Dėl perdirbimo patarimo kreipkitės į savo vietinę savivaldybę ar pardavėją.

ŽENKLAS ŠIOJE INSTRUKCIJOJE



Pastaba



Jungimas prie maitinimo lizdo.



Išjungimas iš maitinimo lizdo.



Bloķētājs



Atrakinti



Greitis, minimalus



Greitis, maksimalus

Šie signaliniai žodžiai yra skirti nurodyti su prietaiso naudojimu susijusio pavojaus lygį.

PAVOJUS

Rodo grėšiančią pavojingą situaciją, kurios neišvengus galima patirti mirtiną arba sunkų sužalojimą.

ĮSPĖJIMAS

Rodo potencialiai pavojingą situaciją, kurios neišvengus galima patirti mirtiną arba sunkų sužalojimą.

ATSARGIAI

Rodo potencialiai pavojingą situaciją, kurios neišvengus galima patirti nesunkų arba vidutinio sunkumo sužalojimą.

ATSARGIAI

(Be įspėjamojo šauktuko) Reiškia situaciją, kurioje galima sugadinti turtą.



Teie lintlihvmasina konstrueerimisel on peaeesmärgiks olnud toote ohutus, tootlikkus ja töökindlus.

OTSTARBEKOHANE KASUTAMINE

Lintlihvijat tohivad kasutada täiskasvanud, kes on lugenud kasutusjuhendit ja saavad aru selles olevatest juhistest ja hoiatustest, ning kes vastutavad oma tegevuse eest.

Toode on mõeldud metalli, puidu, plastmassi või muude taoliste materjalide lihvimiseks. Sellega saab eemaldada ka värve, lakke ja roostet. Seadet tohib kasutada ainult hästi ventileeritud kohas.

Seade on ette nähtud vaid kiuvihvimiseks. Ärge kasutage seadet märglihvimiseks.

Lintlihvmasinat saab kasutada käes hoides ja kasutaja saab seda toorikul käega juhtida. Toorik tuleb kinnitada tugevale ja mittelihkuvale alusele.

Lintlihvmasinat saab kasutada pööratud töörežiimis kui see on kinnitatud tööpingile tootja poolt tarnitud tarvikute abil. Pööratud töörežiimis saab kasutaja juhtida tooriku lihvindile.

Toode on mõeldud üksnes tavatarbijatele.

Ärge kasutage seadet ühelgi muul viisil kui mainitud sihtotstarbeks. Tööoperatsiooniks mitte ettenähtud elektritööriista kasutamine võib tekitada ohtliku olukorra.

⚠ HOIATUS

Mõnede värvide tolm, pinnakatted ja materjalid võivad põhjustada hingamisteede ärritust või allergilisi reaktsioone. Tamme- ja pöökpuu, MDF-i ja sarnaste materjalide tolm on kantserogeenne. Asbesti sisaldavaid materjale tohivad lõigata vastava väljaõppega eriooperaatorid.

⚠ HOIATUS

Lugege läbi kõik mehaanilise tööriista kohta esitatud ohuhoiatused ning tutvuge tööriista jooniste ja tehniliste andmetega. Allpool esitatud hoiatuste ja juhiste eiramise puhul on oht saada elektrilööki või raskeid kehavigastusi ning/või tekitada tulekahju.

Hoidke kõik hoiatused ja juhised edaspidiseks juhindumiseks alles.

ÜLDISED HOIATUSED TÖÖPINGI KOHTA

⚠ HOIATUS

Lugege läbi kõik tööpingi ja paigaldatava elektrilise tööriistaga kaasasolevad hoiatused ja juhised. Hoiatuse ja juhiste eiramise puhul on oht saada elektrilööki või raskeid kehavigastusi ning/või põhjustada tulekahju.

- Hoidke kõik hoiatused ja juhised edaspidiseks juhindumiseks alles.
- Hoiatustes kasutatav termin (mehaaniline) elektritööriista tähendab elektritoitevõrgust või akust toidet saavat mehaanilist tööriista.

- Enne tööriista reguleerimist või tarvikute vahetamist ühendage pistik vooluallikast lahti ja/või eemaldage tööriista aku. Tööriista ootamatu käivitumine põhjustab õnnetusi.
- Enne tööriista paigaldamist pange tööpink korralikult kokku. Õige kokkupanek on tähtis, et vältida selle kokkukukkumist.
- Enne tööriista kasutamist kinnitage see turvaliselt tööpingi külge. Tööriista liikumine tööpingil võib põhjustada kontrolli kadumist tööriista üle.
- Asetage tööpink kindlale, siledale ja tasasele pinnale. Kui tööpink liigub või kõigub, ei saa tööriista ega töödeldavat detaali kindlalt ja ohutult juhtida.
- Ärge koormake tööpink üle ega kasutage seda redeli või tellinguna. Ülekoormus või tööpingil seismine muudab pingi liiga raskeks ja see kipub ümber kukkuma.

LINTLIHVMAASINA OHUTUSJUHISED

- Hoidke tööriista käepideme isoleeritud pinnast, sest lihvpingid võivad tabada tööriista juhet. Pinge all olevatesse juhtmetesse sisselõikamise korral jäävad tööriista isoleerimata metallosad pingele alla ja kasutaja võib saada elektrilöögi.

TÄIENDAVALD OHUTUSJUHISED

- Kinnitage toorik pitskruviga. Kinnitamata toorik võib põhjustada raske kehavigastuse või tekitada varakahju. Ärge hoidke lihvivat materjali käega kinni.
- Ärge kasutage lihvimisel suuremat lihvlinti, kui vajalik.
- Kandke alati turvaprilile ja tolmumaski.
- Kandke nõuetekohast respiraatorit kui lihvite tina sisaldavaid värve, kõva puitu või metalle, et ohtlikku/mürgist tolmu või õhku mitte sisse hingata.

JÄÄKRISKID

Isegi siis, kui seadet kasutatakse kirjeldatud viisil, ei ole võimalik kõrvaldada kõiki jääkriskide mõjureid. Töötamise ajal võivad tekkida järgmised ohud, millele operaator peab pöörama erilist tähelepanu.

- takerdumine või kokkupuutumine liikuva lindiga
 - Eelkõige tagurpidi töötamise aja tuleb erilist tähelepanu pöörata sellele, et operaatori sõrmed ja käed ei puutuks kokku lihvindiga ega jääks rullikute vahele. Tooriku paigaldamiseks ja haakumise vältimiseks kasutage võimaluse korral alati juhikut.
- Tolmust põhjustatud kehavigastus
 - Seadme kasutamisel tekib märkimisväärsel määral tolmu ja peenosakesi. Kasutage seadme kasutamise ajal tolmu kogumiseseadet või ühendage sellele tolmuimeja. Kandke hingamismaski, milles on filter vastavalt töödeldavatele materjalidele. Tagage töökohal nõuetekohane ventilatsioon. Ärge töökohal sööge, jooge ega suitsetage. Töödelge vaid neid materjale, mis on määratletud kasutusjuhendi toote sihipärase kasutamise osas. Ärge puurige materjale, mille puhul võib tekkida terviseoht (nt asbest).



- plahvatuse oht
 - Kogunenud peentolm võib süttida ja põhjustada tulekahju. Hoidke tööpiirkond puhas ja tolmuvaba. Tolmu kogumis- ja imisüsteeme tuleb puhastada regulaarselt ja põhjalikult. Metallide lihvimisel võib tekkida sädemeid.
- elektrilöök
 - Hoidke toite- ja pikenduskaablid toote tööpiirkonnast ja muudest elektrit juhtivatest pindadest eemal.
- müra ja vibratsioon
 - Kandke selle seadme kasutamisel kuulmiskaitsevahendeid. Ärge kasutage seadet pikka aega.

RISKI ALANDAMINE

Teadaolevalt võib käsitööriistade kasutamine põhjustada mõnedel inimestel seisundit, mida nimetatakse Raynaud' sündroomiks. Los síntomas pueden incluir hormigueo, entorpecimiento y decoloración de los dedos, generalmente aparentes cuando tiene lugar una exposición al frío. Nende sümptomite puhul tuleb hoiduda külmast ja niiskusest, dieedist ning suitsetamisest ja kasutada õigeid töövõtteid. Vibratsiooni mõju vähendamiseks tuleb rakendada järgmisi abinõusid.

- Külma ilmaga hoidke oma keha soe. Kandke kindaid, et hoida oma käed ja randmed soojad. Uuringud näitavad, et Raynaud' s Syndrome ilmneb põhiliselt külma ilmaga.
- Pärast külmas töötamist tehke harjutusi, et verevarustust kiirendada.
- Tehke regulaarselt töovaheaegasid. Piirake tööperioodi pikkust.

Kui ilmnevad haigustunnused, lõpetage kohe töö ja pöörduge arsti poole.

ÕPPIGE OMA TOODET TUNDMA

Vt lk 109.

1. Kiiruse valija (EBS800V)
2. Isoleeritud haardepinnaga eesmine käepide
3. Eesmise käepideme reguleerimisnupp
4. Lihvimislindi reguleerimisnupp
5. Lukustusnupp
6. Isoleeritud haardepinnaga põhikäepide
7. Tolmukoti kate
8. Tolmukott
9. Kinniti (EBS800V)
10. Päästik
11. Lihvimislindi vabastushoob
12. Lihvimispingi stopper (EBS800V)
13. Lihvlint
14. Lihvimisraam (EBS800V)
15. Lihvimisraami reguleerimisnupp (EBS800V)

KASUTAMINE

- Ärge kasutage seadet ilma nõuetekohaselt suunatud ja kinnitatud lindita. Ebaõigesti suunatud lint võib lahti tulla ja põhjustada kehavigastusi või seadme kahjustusi.
- Kinnitage toorik tööpingile kruustangidele või pitskruvi abil. See takistab tooriku väljapaiskumist.
- Hoidke seadet töötamise ajal kontrolli all kahest

käepidemest kinni hoides.

- Ärge kasutage töötamisel liigset jõudu. Kasutage tööks sobivat elektritööriista. Õigesti valitud tööriist töötab paremini ja ohutumalt selles võimsuspiirkonnas, millele see on ette nähtud.
- Ärge rakendage seadmele liigset rõhku. Laske seadme massil rakendada õiget survet ja hoidke kinni käepidemetest, et seda juhtida. Liigne surve koormab seadme üle ja kahjustab mootorit. Liigse surve avaldamisega ei saa maha lihvida rohkem materjali ja selle asemel võib alaneda lihvimistootlus.
- Seadme tõhusa lihvimisvõime tagamiseks vahetage lihvlinti regulaarselt.
- Käivitage seade päästikule vajutamise ja laske seadmel saavutada nõuetekohane kiirus. Seejärel langetage lint toorikule. Hoidke seadet kindlalt kahe käega, sest lindi liikumine veab seadet edasi.
- Valige tehtavale tööle sobiva suuruse ja terajämedusega lint. Kasutage paksema materjalikihi eraldamiseks jämeda terasuurusega linti ja õhema materjalikihi eemaldamiseks ning viimistlemiseks peenema terasuurusega linti. Asendage lint kui see on vigastatud, ummistunud või kulunud.
- Lihvimise ajal võib seadet liigutada edasi-tagasi piki puidu kiudu. Lihvimine puidukiuga risti tekitab pinnale kriimustusi ja vigastusi.

⚠ HOIATUS

Mõnede värvide tolm, pinnakatted ja materjalid võivad põhjustada hingamisteede ärritust või allergilisi reaktsioone. Tamme- ja pöökpuu, MDF-i ja sarnaste materjalide tolm on kantserogeenne. Asbesti sisaldavaid materjale tohivad lõigata vastava väljaõppega eriooperaatorid.

- Tolmukübemetega kokkupuutumise riski vältimiseks kasutage tolmuikotti või ühendage tolmu väljalaskeavaale tolmuimeja.
- Kõik tööpiirkonnas ja selle läheduses viibijad peavad kandma tolmuvarustust, mis pakuvad nõuetekohase kaitse.
- Kandke alati sellist kaitsemaski või kaitseprille, mis kaitsevad töötamisel silmi ka külgedelt.
- Seadmega pööratud režiimis töötamisel kasutage lihvimisraami ja suunamistarvikuid. Kasutage tarvikuid, mis aitavad toorikut juhtida ja sellega vältida juhuslikku kontakti liikuva lihvlinde ja rullikutega.
- Kui kasute seadet pööratud režiimis, peab see olema kinnitatud sobivale töölauale komplektis olevate kinnitustarvikutega. Juhendage selles juhendis esitatud joonistest.

⚠ HOIATUS

Seadme pikaajalisel kasutamisel võite saada kehavigastusi või vigastused võivad süveneda. Seadme kasutamisel pika aja jooksul tuleb teha korralisi vaheaegasid.

HOOLDUS

⚠ HOIATUS

Seade ei tohi mingil juhul olla toitepinge all sel ajal kui kinnitate selle osi, teete reguleerimistoiminguid, puhastate või hooldate seadet ning siis kui seda ei kasutata. Toote eemaldamine toitevõrgust hoiab ära ootamatu käivitumise, mis võib põhjustada raskeid vigastusi.

⚠ HOIATUS

Kasutage teenindamisel ainult tootja originaalvaruosi, tarvikuid ja tööorganeid. Muude osade kasutamine võib tekitada ohuolukorra ja põhjustada seadme vigastumise.

⚠ HOIATUS

Ärge laske plastosadel mitte mingil juhul sattuda kokkupuutesse auto pidurivedeliku, bensiini, bensiinipõhiste toodete, immutusõlidega või muude samalaadsete vedelikega. Kemikaalid võivad kahjustada, nõrgendada või hävitada plastiku, mis võib omakorda põhjustada vigastusi kasutajale.

Vältige plastosade puhastamisel lahustite kasutamist. Enamik plaste on tundlikud kaubandusvõrgust saadaolevate lahustite suhtes ja võivad nende mõjul oma omadusi kaotada. Tolmust, õlist, määrdest ja muust mustusest puhastamiseks kasutage puhast riidelappi.

Elektritööriistade kasutamisel klaaskiudmaterjalide, seinapaneelide, pahtlisegu või kipsi lihvimiseks võib kaasna masinaosade kiirenenud kulumine ning võimalikud rikked, sest klaaskiududest ja teistest peenosakestest koosnev väga abrasiivne lihvimistolm kulutab laagreid, kollektori harju, kommutaatorit ja teisi mootoriosi. Seda tüüpi materjalide pikaajaline töötlemine selle seadme abil ei ole soovitatav.

Pärast iga kasutuskorda eemaldage lihviint ja tolmu. Hoidke toitejuhet nagu on näidatud selle kasutusjuhendi joonistel. Puhastage seade hoolikalt harja ja kuiva lapiga või tolmuimejaga.

⚠ HOIATUS

Ärge kasutage tööriistalt tolmu eemaldamiseks suruõhku, et vältida raskeid silmakahjustusi.

⚠ HOIATUS

Vigastatud toitejuhe tuleb asendada nõuetele vastava juhtme või juhtmekomplektiga, mis on saadaval tootja või hooldusettevõtte käest. Pöörduge volitatud hoolduskeskuse poole.

Kõik remonttööd tuleb lasta teha volitatud hoolduskeskuses, et tagada masina ohutus ja töövõime.

Kõik selle tööriista laagrid on tehases täidetud piisava hulga kvaliteetse määrdega, mis tagab tavatingimustes

nende töövõime kogu kasutusea jooksul. Seetõttu ei ole täiendav määrimine vajalik.

KESKKONNAKAITSE



Taaskasutage materjale nende jäätmekäitluse andmise asemel. Masin, selle lisaseadmed ja pakend tuleb jäätmekäitluseks keskkonnasõbralikult sorteerida.

SÜMBOL



Ohutusalane teave



Volt



Hertz



Vahelduvvool



Watt



Kiirus ilma koormuseta



Pöörete või löökide arv minutis



CE vastavus



Euraasia vastavusmärk



Ukraina vastavusmärgis



Klass II, topeltisolatsiooniga



Lugege enne masina kasutamist juhised hoolikalt läbi.



Kandke kuulmise kaitsevahendeid



Kandke silmade kaitsevahendeid



Mittekasutatavaid elektritooteid ei tohi visata olmejäätmete hulka. Vaid tuleb viia vastavasse kogumispunkti. Vajadusel küsige sellekohast nõu oma edasimüüjalt või vastavalt kohaliku omavalitsuse institutsioonilt.

KASUTUSJUHENDIS KASUTATUD SÜMBOLID



MÄRKUS



Ühendage toitevõrku.



Ühendage seade toitevõrgust lahti.



Lukk



Lahtikeeramine



Velocidad, mínimo



Velocidad, máxima

Järgnevad märguandesõnad ja tähendused on mõeldud selle toote kasutamiseiga seotud riskitasemete kirjeldamiseks.



OHT.

Osutab ähvardavale ohuolukorrale, mille mittevältimine lõpeb surma või tõsise vigastusega.



HOIATUS

Osutab võimalikule ohuolukorrale, mille mittevältimine võib lõppeda surma või tõsise kehavigastusega.



ETTEVAATUST

Osutab võimalikule ohuolukorrale, mille mittevältimine võib lõppeda väiksemate või mõõdukate kehavigastustega.

ETTEVAATUST

(Ilma ohutussümbolita) Viitab olukorrale, mis võib põhjustada kahjustusi varale.



U razvoju ove tračna brusilica dati su maksimalni prioriteti sigurnosti, performansama i pouzdanosti.

NAMJENA

Tračnu brusilicu smiju koristiti samo odrasle osobe koje su pročitale i razumjele uputstva i upozorenja u ovom priručniku i koje se mogu smatrati odgovornima za svoje postupke.

Proizvod je namijenjen brušenju metala, drveta, plastike ili sličnih materijala. Također može uklanjati boju, lak i koroziju s površina. Proizvod treba koristiti samo u dobro ventiliranim područjima.

Proizvod je namijenjen samo za suho brušenje. Nemojte koristiti proizvod za mokro brušenje.

Tračna brusilica se može koristiti ručnim načinom i pomicati od strane operatera na površini izratka koji se brusí. Izradak treba učvrstiti na čvrstu i stabilnu platformu.

Tračna brusilica može raditi i obrnutim načinom kada je pričvršćena na radni stol korištenjem isporučenog dodatnog pribora od strane proizvođača. Kada je u obrnutom načinu rada, operater vodi izradak preko brusne trake.

Proizvod je namijenjen samo krajnjim korisnicima.

Nemojte koristiti proizvod na bilo koji drugi način od onog za koji je namijenjen. Korištenje električnog alata za radove drugačije od njegove namjene može dovesti do opasne situacije.

⚠ UPOZORENJE

Prašina iz određenih boja, premaza i materijala mogu uzrokovati iritacije ili alergijske reakcije u respiratornom sustavu. Prašina iz drveta poput hrasta, bukve, MDF-a i ostalog je karcinogena. Materijalom koji sadrži azbest trebaju uvijek raditi ili obrađivati kvalificirani stručnjaci.

⚠ UPOZORENJE

Pažljivo pročitajte sva upozorenja, upute i specifikacije priložene uz alat i pogledajte crteže. Nepoštivanje svih uputa može dovesti do električnog udara, požara i / ili teške ozljede.

Spremite sva upozorenja i upute za buduće korištenje.

OPĆA SIGURNOSNA UPOZORENJA KOJA SE ODNOSI NA RADNO POSTOLJE

⚠ UPOZORENJE

Pročitajte sva sigurnosna upozorenja i sve upute dobivene s radnim postoljem i električnim alatom kojeg ćete montirati. Nepridržavanje upozorenja i uputa navedenih u nastavku može dovesti do električnog udara, požara i/ili ozbiljnih tjelesnih ozljeda.

- **Spremite sva upozorenja i upute za buduće korištenje.**
- Pojam «električni alat» koji se upotrebljava u sigurnosnim uputama označava električne alate sa žicom, kao i bežične električne alate.

- **Izvcite utikač iz izvora električnog napajanja i/ili baterijskog sklopa prije izvršavanja bilo kakvih prilagodbi ili promjene dodatne opreme.** Slučajno pokretanje električnog alata uzrok je pojedinih nesreća.
- **Pravilno sastavite postolje prije montiranja alata na njega.** Pravilno sastavljanje važno je radi sprečavanja opasnosti od rušenja.
- **Prije uporabe čvrsto pritegnite električni alat za radno postolje.** Električni alat koji se pomiče po radnom postolju može prouzročiti gubitak nadzora.
- **Radno postolje postavite na tvrdnu, plosnatu i ravnu površinu.** Kada se radno postolje može pomicati ili tresti, električni alat ili komad koji se obrađuje ne može se čvrsto i sigurno kontrolirati.
- **Nemojte preopterećivati radno postolje niti ga koristiti kao ljestve ili skelu.** Preopterećivanjem ili stajanjem na radnom postolju doći će do njegovog «preopterećenja na vrhu» i ono će se vjerojatno prevrnuti.

SIGURNOSNA UPOZORENJA VEZANO ZA BRUSNU TRAKU

- **Električni alat držite isključivo za izolirane površine za hvatanje, pošto brusna površina može dotaknuti svoj vlastiti kabel.** Dodirivanje „žive“ žice može izložiti metalne dijelove alata električnoj energiji i dovesti do strujnog udara na operatera.

DODATNA SIGURNOSNA UPOZORENJA

- **Spojite uradak s uređajem za spajanje.** Odspojeni izratci mogu uzrokovati ozbiljne ozljede i oštećenje. Nemojte držati materijal kojeg brusite s rukom.
- **Nemojte koristiti veću brusnu traku od potrebne.**
- **Uvijek nosite zaštitne naočale i masku za zaštitu od prašine.**
- **Mora se nositi prikladan respirator za disanje tijekom brušenja boje, nekih drveta i metala kako bi se izbjeglo udisanje štetne/otrovne prašine ili zraka.**

PREOSTALE OPASNOSTI

Čak i kad je proizvod korišten kao što je prethodno opisano, još uvijek nije moguće potpuno isključiti ostale čimbenike opasnosti. Može doći do sljedećih opasnosti prilikom korištenja i operater mora obratiti posebnu pozornost kako bi izbjegao sljedeće:

- zahvaćanje ili kontakt s pokretnom trakom
 - Osobito tijekom invertiranog rada potrebno je primijeniti dodatni oprez kako bi se spriječilo da prsti i ruke operatera dođu u doticaj s abrazivnom trakom ili da budu priklješteni valjcima. Koristite dodatnu letvu kad je moguće kako biste kontrolirali izradak i spriječili zaglavljivanje pomičnog valjka.
- Ozljede uzrokovane prašinom
 - Korištenje proizvoda proizvodi značajnu količinu prašine i finih čestica. Koristite proizvod za prikupljanje prašine ili spojite usisavač za izvlačenje prašine kad proizvod radi. Nosite respiratorne maske koje sadrže odgovarajuće filtere za materijale s kojima se radi. Osigurajte odgovarajuću

EN
FR
DE
ES
IT
NL
PT
DA
SV
FI
NO
RU
PL
CS
HU
RO
LV
LT
ET
HR
SK
SL
BG
UK
TR
EL



ventilaciju radnog mjesta. Nemojte jesti, piti ili pušiti u radom području. Radite samo na materijalima koji su navedeni u odjeljku Predviđena namjena. Nemojte raditi s materijalima (npr. azbestom) koji predstavlja opasnost po zdravlje.

- opasnost od eksplozije
 - Akumulirana fina prašina može se zapaliti i uzrokovati požar. Održavajte radno područje čistim i bez prašine. Sustavi za prikupljanje prašine i usisavanja trebaju se redovito i temeljito čistiti. Prilikom brušenja metala, mogže doći do iskrenje.
- strujni udar
 - Priključne i produžne kabele držite na udaljenosti od djelokruga proizvoda i ostalih vodljivih površina.
- buka i vibracija
 - Prilikom rada s uređajem uvijek nosite zaštitu za sluh. Nemojte raditi s proizvodom dulje vremensko razdoblje.

SMANJENJE OPASNOSTI

Prijavljeno je da vibracije alata koje se drži u ruci kod određenih pojedinaca mogu doprinijeti stanju pod nazivom Raynaud's Syndrome. Simptomi mogu uključivati trnce, ukočenost i bjelinu prstiju, obično uočljivo po izlaganju hladnoći. Smatra se da nasljedne osobine, izlaganje hladnoći i vlazi, dijeta, pušenje i radni postupci pridonose razvoju ovih simptoma. Postoje mjere koje operator može poduzeti kako bi smanjio moguće učinke vibracije:

- Održavajte svoje tijelo toplim u hladnim vremenskim uvjetima. Kad radite s uređajem nosite rukavice kako biste ruke i zglobove održavali toplima. Prijavljeno je da je hladnoća glavni čimbenik koji doprinosi Raynaud's Syndrome.
- Nakon svakog perioda rada vježbajte kako biste povećali cirkulaciju krvi.
- Uzimajte česte stanke u radu. Ograničite količinu izlaganja po danu.

Ako osjetite neke od simptoma ovog stanja, odmah prekinite korištenje i obratite se svome liječniku vezano uz ove simptome.

UPOZNAJTE SVOJ PROIZVOD

Pogledajte stranicu 109.

1. Brzo biranje (EBS800V)
2. Prednja drška, izolirana površina za hvatanje
3. Gumb za podešavanje prednje ručice
4. Okretni gumb za podešavanje brusnog remena
5. Gumb za zaključavanje
6. Glavna drška, izolirana površina za hvatanje
7. Poklopac kutije za prašinu
8. Kutija za prašinu
9. Spojnica (EBS800V)
10. Sklopka za pokretanje
11. Poluga za otpuštanje brusnog remena
12. Zaustavnik brusne klupe (EBS800V)
13. Brusna traka
14. Okvir brusnog sklopa (EBS800V)
15. Okretni gumb za podešavanje okvira brusnog sklopa (EBS800V)

RAD

- nemojte raditi s uređajem bez pravilno vođene i učvršćene trake. Nepravilno praćena traka može spasti s proizvoda i uzrokovati osobne ozljede ili oštećenje brusilice.
- Osigurajte izradak sa škripom ili stezaljkom na radni stol. Ovo pomaže spriječiti da izradak bude odbačen.
- Koristite isporučene ručke za držanje i kontrolu proizvoda s obje ruke.
- Nemojte alat koristiti iznad njegovih mogućnosti. Za vašu primjenu koristite točan uređaj. Uređaj će bolje i sigurnije raditi na brzini za koju je konstruiran.
- Nemojte primjeniti preveliki pritisak na proizvod. Pustite da težina uređaja određuje točan pritisak te koristite ruke za vođenje brusilice. Pretjerani pritisak će preopteretiti proizvod i oštetiti motor. Primjena većeg pritiska neće ukloniti nikakav materijal i smanjit će učinkovitost brušenja.
- Često mijenjate brusnu traku kako biste održali sposobnost proizvoda za učinkovitim uklanjanjem materijala.
- Pokrenite uređaj pomoću sklopke za pokretanja i omogućite traci da dostigne točnu brzinu. Potom spustite traku na izradak. Držite proizvod čvrsto s obje ruke jer pomicanje trake pomiče proizvod prema naprijed.
- Odaberite točnu veličinu trake i odgovarajuću gruboću za zadatak. Koristite trake s manjim brojem zrnaca za uklanjanje više materijala; veći broj zrnaca za uklanjanje manje materijala i za finiji završetak. Zamijenite traku ako se ošteti, zaglavi s ostacima ili istroši.
- Normalno je brušenje i pomicanje proizvoda prema natrag i naprijed zajedno s brušenjem materijala. Brušenje preko izratka rezultira ogrebotinama i oštećenom površinom.

UPOZORENJE

Prašina iz određenih boja, premaza i materijala mogu uzrokovati iritacije ili alergijske reakcije u respiratornom sustavu. Prašina iz drveta poput hrasta, bukve, MDF-a i ostalog je karcinogena. Materijalom koji sadrži azbest trebaju uvijek raditi ili obrađivati kvalificirani stručnjaci.

- Koristite sakupljač prašine ili spojite ulaz za prašinu na usisavač za smanjenje opasnosti vezano za čestice prašine.
- Sve osobe u području rada ili pored, trebaju nositi make protiv prašine koje pružaju odgovarajuću zaštitu.
- Prilikom rada s uređajem uvijek nosite zaštitn naočale ili zaštitne naočale s bočnim štitičnicima.
- Koristite okvir za brušenje i priključak letve kada koristite proizvod u obrnutom načinu rada. Korištenje priključaka pomaže kontrolirati položaj izratka i sprječava slučajni kontakt s pomičnom trakom i valjcima.
- Kad se koristi u obrnutom načinu rada, proizvod mora biti adekvatno osiguran na prikladan radni stoil korištenjem isporučenih spojnica. Pogledajte grafičke

upute u ovom priručniku.

⚠ UPOZORENJE

Ozljede mogu biti uzorkovane ili izazvane produljenim vremenskim razdobljem korištenja alata. Kada koristite bilo koji alat dulje vremena, osigurajte da uzimate povremene stanke.

ODRŽAVANJE

⚠ UPOZORENJE

Proizvod nikad ne smije biti priključen na izvor napajanja kada sastavljate dijelove, vršite podešenja, čistite, izvodite održavanje ili kada se proizvod ne koristi. Isključivanjem proizvoda s izvora napajanja sprečavaju se slučajna pokretanja proizvoda koja mogu prouzročiti ozbiljne tjelesne ozljede.

⚠ UPOZORENJE

Prilikom servisiranja, koristite samo originalne zamjenske dijelove, dodatni pribor i priključke od proizvođača. Korištenje nekih drugih dijelova može dovesti do opasnosti ili uzrokovati oštećenje alat.

⚠ UPOZORENJE

Nikada ne dopustite kontakt plastičnih dijelova s tekućinom za kočnice, benzinom, proizvodima na bazi petroleja, sredstvima za odmašćivanje, idr. Kemikalije mogu oštetiti, oslabiti ili uništiti plastiku što može dovesti do ozbiljnih osobnih ozljeda.

Prilikom čišćenja plastičnih dijelova izbjegavajte koristiti kemijska sredstva. Većina plastika je podložna različitim vrstama komercijalnih kemijskih sredstava za čišćenje i mogu se oštetiti prilikom njihovog korištenja. Za uklanjanje nečistoća, prašine, ulja masti i drugog upotrebljavajte čistu krp.

Električni alati korišteni na stakloplastici, zidnim pločama, pregradnim pločama ili plastici podložni su ubrzanom trošenju i mogućem prijevremenom kvaru jer iverje i strugotine stakloplastike su vrlo abrazivni za ležajeve, četkice, sklopke itd. Ne preporučujemo korištenje proizvoda za dulje vremensko razdoblje na ovim vrstama materijala.

Nakon svakog korištenja uklonite traku i sakupljač prašine ako je pričvršćen. Očistite sakupljač prašine kao što je prikazano u ilustraciji u ovom priručniku. Temeljito očistite proizvod s četkom, suhom krpom i usisavačem.

⚠ UPOZORENJE

Nemojte koristiti komprimirani zrak za uklanjanje prašine iz proizvoda kako biste spriječili ozbiljne ozljede očiju.

⚠ UPOZORENJE

Ako je kabel za napajanje oštećen, mora se zamijeniti posebnim kabelom ili sklopom koji je dostupan od proizvođača ili njegovog zastupnika servisa. Obratite se ovlaštenom servisnom centru.

Radi veće sigurnosti i pouzdanosti, sve popravke treba izvoditi ovlašteni servisni centar.

Svi ležajevi u ovom alatu podmazani su s dovoljnom količinom visokokvalitetnog sredstva za podmazivanje za životni vijek uređaja u normalnim radnim uvjetima. Stoga nije potrebno daljnje podmazivanje.

ZAŠTITA OKOLIŠA



Sirovine reciklirajte, umjesto da ih odlažete kao otpad. Kako biste zaštitili okoliš, alat, dodatke i ambalažu treba odvojeno bacati u otpad.

SIMBOL



Sigurnosno upozorenje

V

Volti

Hz

Herzi

~

Izmjenična struja

W

Wati

n₀

Brzina bez opterećenja

min⁻¹

Broj okreta ili pokreta u minuti



Sukladno CE



EurAsian znak konformnosti



Ukrajinska oznaka za sukladnost

001



Klasa II, dvostruka izolacija



Molimo vas da prije pokretanja uređaja pažljivo pročitate upute.



Nosite zaštitu za sluh



Nosite zaštitu za vid



Otpadni električni proizvodi ne treba da se odlažu s otpadom iz domaćinstva. Molimo da reciklirate gdje je to moguće. Potražite savjet od lokalnih vlasti ili prodavca kako reciklirati.

EN
FR
DE
ES
IT
NL
PT
DA
SV
FI
NO
RU
PL
CS
HU
RO
LV
LT
ET
HR
SL
SK
BG
UK
TR
EL

SIMBOLI U PRIRUČNIKU



Napomena



Priključite na napajanje.



Odspojite iz napajanja.



Brava



Otključavanje



Brzina, minimalna



Brzina, maksimum

Slijedeće riječi upozorenja i značenja imaju namjeru da objasne nivo rizika u vezi s ovim proizvodom.

OPASNOST

Naznačuje prijeteću opasnu situaciju, koja ako se ne izbjegne dovodi do smrti ili ozbiljnih ozljeda.

UPOZORENJE

Naznačuje potencijalno opasnu situaciju, koja ako se ne izbjegne dovodi do smrti ili ozbiljnih ozljeda.

OPREZ

Naznačuje potencijalno opasnu situaciju, koja ako se ne izbjegne dovodi do lakših ili srednjih ozljeda.

OPREZ

(Bez simbola upozorenja sigurnosti) Označava situaciju koja može izazvati oštećenje imovine.



Varnost, učinkovitost in zanesljivost so bile pri načrtovanju vašega tračnega brusilnika ključnega pomena.

NAMEN UPORABE

Tračni brusilnik lahko uporabljajo samo odrasli, ki so prebrali in razumejo navodila ter opozorila v tem priročniku in lahko odgovarjajo za svoja dejanja.

Izdelek je namenjen brušenju kovine, lesa, plastike ali podobnih materialov. Izdelek smete uporabljati le v dobro prezračenih prostorih.

Izdelek je namenjen samo za suho peskanje. Izdelka ne uporabljajte za mokro peskanje.

Upravljavec lahko tračni brusilnik uporablja v ročnem načinu in ga ročno premika po površini obdelovanca. Obdelovanec naj bo pritrjen na trdno in stabilno podlago.

S tračnim brusilnikom lahko upravljate v obratnem načinu, ko ga pritrdite na delovni pult z dodatki, ki jih je priložil proizvajalec. V obratnem načinu upravljavec vodi obdelovanec skozi tračni brusilnik.

Izdelek je predviden samo za potrošniško uporabo.

Izdelka ne uporabljajte na noben način, ki ni predpisan za to napravo. Uporaba električnega orodja za namene, ki so drugačni od tistih, za katere je bilo orodje zasnovano, lahko povzroči nevarne situacije.

OPOZORILO

Prah z določenih delov, premazi in materiali lahko povzročijo draženje ali alergijske reakcije dihal. Prah z lesa, kot je hrast, bukev, MDF-plošče ali drugi, je karcinogen. Materiale, ki vsebujejo azbest naj obdeluje ali procesira zgolj usposobljen specialističen upravljavec.

OPOZORILO

Preberite vsa varnostna opozorila, navodila, ilustracije in specifikacije, ki so priložene temu električnemu orodju. Če ne upoštevate opozoril in navodil, lahko pride do električnega udara, ognja in/ali hudih poškodb.

Vsa opozorila in vsa navodila shranite za bodočo referenco.

VŠEOBECNÉ BEZPEČNOSTNÉ VÝSTRAHY NA PRÁČU NA STOJANE

OPOZORILO

Prečitajte si **všetke** varnostne **výstrahy** a **všetky** pokyny, **týkajúce** sa **pracovného stojana** a **elektrického náradia, ktoré má byť namontované**. Neupoštevajte opozoril in navodil lahko privede do električnega udara, požara in/ali resnih poškodb.

- **Vsa opozorila in vsa navodila shranite za bodočo referenco.**
- Izraz «električna naprava» v opozorilih se nanaša na (ožičeno) napravo na omrežno napajanje ali na

(brezžično) napravo na akumulatorsko napajanje.

- **Pred izvajanjem prilagoditev ali menjavanjem dodatkov vtič izključite iz vira napajanja in/ali iz električnega orodja odstranite akumulatorsko baterijo.** Nenamerni zagon električnega orodja lahko privede do določenih vrst nesreč.
- **Pravilno sestavite delovno stojalo, preden narij namestite orodje.** Pravilna montaža je pomembna, da preprečite nevarnost zrušitve.
- **Pred uporabo električno orodje varno pritrdite na delovno stojalo.** Zaradi premikanja električnega orodja po delovnem stojalu lahko upravljavec izgubi nadzor nad orodjem.
- **Delovno stojalo namestite na trdno in ravno površino.** Če obstaja možnost, da se delovno stojalo premakne ali zaziba, električnega orodja ali obdelovanca ni mogoče zanesljivo in varno nadzorovati.
- **Delovnega stojala ne preobremenite oziroma ne uporabite lestve ali zidarskega odra.** Preobremenitev ali stanje na delovnem stojalu lahko privede do njegove nestabilnosti in možnosti prevrnitve.

VARNOSTNA OPOZORILO ZA UPORABO TRAČNEGA BRUSILNIKA

- **Električno orodje držite za izolirana držala, ker se brusna površina lahko dotake lastnih žic.** Če se rezila dotaknejo žice, ki je pod električno napetostjo, lahko izpostavljeni kovinski deli električnega orodja povzročijo električni udar.

DODATNA VARNOSTNA OPOZORILO

- **Obdelovanec vpenite z vpenjalno napravo.** Obdelovanci, ki niso vpeti, lahko povzročijo hude poškodbe in škodo. Materiala, ki ga peskate, ne držite z roko.
- **Ne uporabljajte večjega brusilnega traku, kot ga potrebujete.**
- **Vedno nosite zaščitna očala in zaščitno masko.**
- **Med brušenjem svinčene barve, nekaterih vrst lesa in kovine nosite ustrezni dihalni aparat, da se izognete vdihavanju škodljivega/strupenega prahu ali zraka.**

PREOSTALA TVEGANJA

Nekateri preostalih dejavnikov tveganja ni mogoče povsem odpraviti, tudi če ta izdelek uporabljate v skladu z navodili. Med uporabo se lahko pojavijo nekatere nevarnosti, upravljavec pa naj bo pozoren na naslednje:

- Zagozditev ali stik s premikajočim trakom
 - Dodatna previdnost je potrebna predvsem v obrnjenem položaju, da prsti in roke upravljavca ne pridejo v stik z brusilnim trakom ali da se ne ujamejo v valjčke. Čim večkrat uporabljajte dodatek za blokado za pomoč pri nadzorovanju obdelovanca; tako boste preprečili njegovo zagozditev v premikajočem valju.
- Poškodbe zaradi prahu
 - Pri uporabi izdelka nastane precejšnja količina prahu in finih delcev. Pri uporabi izdelka uporabljajte





zbiralnik prahu ali priključite sesalnik za prah. Nosite zaščitne maske s primernimi filtri za obdelovane materiale. Zagotovite primerno prezračevanje prostora. V delovnem območju je prepovedano jesti, piti in kaditi. Uporabljajte izključno za materiale, ki so navedeni v razdelku Predvidena uporaba. Ne delajte z materiali (npr. z azbestom), ki predstavljajo nevarnost za zdravje.

- Nevarnost eksplozije
 - Nabrani fini prah se lahko vname in povzroči požar. Delovno okolje ohranjajte čisto in brez prahu. Sisteme za zbiranje prahu in sesalno-izločevalne sisteme morate redno ter temeljito čistiti. Pri brušenju kovine se lahko pojavijo vroče iskre.
- Nevarnost električnega udara
 - Napajalnih kablov in podaljškov ne približujte delovnemu območju izdelka ter drugim prevodnim površinam.
- Hrup in vibracije
 - Pri upravljanju z izdelkom nosite zaščito za ušesa. Izdelka ne uporabljajte predolgo.

ZMANJŠANJE TVEGANJA

Ugotovljeno je bilo, da lahko pri nekaterih posameznikih vibracije ročnih orodij povzročijo Raynaudov sindrom. Simptomi so lahko mravljinca, otrplost in pobledele prsti, kar je običajno vidno, kadar je oseba izpostavljena mrazu. Dedni dejavniki, izpostavljenost mrazu in vlagi, dieta, kajenje in delovne navade naj bi pripomogle k razvoju teh simptomov. Za zmanjšanje učinkov vibracij lahko upravljavec upošteva naslednja navodila:

- Poskrbite, da bo vaše telo na mrazu toplo. Med upravljanjem nosite rokavice in tako ohranjajte toploto vaših dlani in zapestij. Kot poročajo, je mraz glavni dejavnik, ki prispeva k Raynaudovemu sindromu.
- Po vsakem obdobju upravljanja naprave telovadite in tako pospešite krvni obtok.
- Pogosto si vzemite odmor. Omejite dnevno količino izpostavljenosti.

Če zaznavate kakršnekoli simptome takšnega stanja, takoj prenehajte z uporabo naprave in se posvetujte z zdravnikom.

SPOZNAJTE SVOJ IZDELEK

Glej stran 109.

1. Hitra nastavitve (EBS800V)
2. Sprednji ročaj, izolirano držalo
3. Prilagodilni gumb prednje ročice
4. Gumb za prilagoditev brusnega traku
5. Gumb za zaklepanje
6. Glavni ročaj, izolirano držalo
7. Pokrov zbiralnika prahu
8. Zbiralnik prahu
9. Objemka (EBS800V)
10. Sprožilo
11. Ročica za sprostitvev brusnega traku
12. Zagozda za brusilnik z mizo (EBS800V)
13. Brusilni trak
14. Nosilec brusnega traku (EBS800V)
15. Gumb za prilagoditev nosilca brusnega traku (EBS800V)

DELOVANJE

- Z izdelkom ne upravljajte, če trak ni ustrezno nameščen in pritrjen. Nepravilno nameščen trak se lahko sname z izdelka in povzroči poškodbe osebi ali škodo na brusilniku.
- Obdelovanec pritrdite s primežem ali spenjalom na primeren delovni pult. Tako boste preprečili, da bi obdelovanec padel.
- Priložene ročaje uporabite za držanje in nadzorovanje izdelka z obema rokama.
- Orodja ne preobremenjujte. Uporabljajte vaši uporabi ustrezen izdelek. Z ustreznim izdelkom boste delo opravljali boljše in varneje pri hitrosti, za katero je namenjen.
- Na izdelek ne pritiskajte s prekomerno silo. Teža izdelka naj ustvari ustrezen pritisk, z rokami pa vodite brusilnik. Prekomerni pritisk bo preobremenil izdelek in poškodoval motor. Z večjim pritiskom ne boste odstranili več materiala, ampak le zmanjšali učinkovitost brušenja.
- Brusilni trak menjajte pogosto in tako vzdržujte izdelkovo učinkovitost odstranjevanja materiala.
- Izdelek zaženite s stiskom na sprožilec, da trak pridobi ustrezno hitrost. Nato spustite trak na obdelovanec. Izdelek trdno držite z obema rokama, ker bo gibanje traku pomikalo izdelek naprej.
- Izberite trak ustrezne velikosti in primerne hrapavosti. Uporabljajte trakove z nižjo številko hrapavosti za odstranjevanje več materiala, z višjo številko hrapavosti pa za odstranjevanje manj materiala in za finejšo končno brušenje. Trak zamenjajte, če je poškodovan, zamašen z odpadnim materialom ali obrabljen.
- Pri brušenju izdelek običajno premikate naprej in nazaj v smeri strukture materiala. Brušenje v nasprotni smeri strukture bo sicer delovalo, a se bo odražalo v opraskani in poškodovani površini.

⚠ OPOZORILO

Prah z določenih delov, premazi in materiali lahko povzročijo draženje ali alergijske reakcije dihal. Prah z lesa, kot je hrast, bukev, MDF-plošče ali drugi, je karcinogen. Materiale, ki vsebujejo azbest naj obdeluje ali procesira zgolj usposobljen specialističen upravljavec.

- Uporabljajte zbiralnik prahu ali povežite priključek za prah na sesalno napravo, da zmanjšate tveganja, povezana s prašnimi delci.
- Vse osebe znotraj delovnega prostora ali v njegovi bližini morajo nositi zaščitne maske proti prahu, ki nudijo ustrezno zaščito.
- Vedno nosite zaščitna očala s stranskimi ščitniki, ko uporabljate izdelke.
- Uporabljajte brusilni okvir in nastavke za blokado, kadar delate z izdelkom v obratnem načinu. Uporaba nastavkov pomaga pri nadzoru položaja obdelovanca in preprečuje neželjen stik s premikajočim trakom ter valji.
- Pri uporabi izdelka v obratnem načinu morate le-tega



ustrezno pritrditi na primeren delovni pult s priloženimi spenjali. Glejte grafična navodila v nadaljevanju priročnika.

OPOZORILO

Zaradi daljše uporabe orodja lahko pride do poškodb oz. se morebitne poškodbe poslabšajo. Kadar orodje uporabljate dalj časa, si večkrat vzemite odmor.

VZDRŽEVANJE

OPOZORILO

Ko sestavljate dele, prilagajate, čistite ali vzdržujete orodje, ali ko izdelka ne uporabljate, ga nikoli ne imejte priključenega na vir napajanja. Če izdelek izklopite iz napajanja, preprečite nenameren zagon, ki bi lahko povzročil resne telesne poškodbe.

OPOZORILO

Za servisiranje uporabljajte le proizvajalčeve originalne nadomestne dele, dodatke in nastavke. Uporaba drugih delov lahko pomeni tveganje ali povzroči škodo na izdelku.

OPOZORILO

Zavorna tekočina, gorivo, izdelki na osnovi nafte, prodirajoče olje ipd. nikoli ne smejo priti v stik s plastičnimi deli. Kemikalije lahko poškodujejo, oslabijo ali uničijo plastiko, kar lahko ima za posledico tudi resne telesne poškodbe.

Pri čiščenju plastičnih delov se izogibajte toplom. Večina vrst plastik se lahko pri uporabi različnih komercialnih topil poškoduje. Za odstranjevanje umazanije, saj in podobnega uporabljajte čisto krpo.

Električna orodja, ki jih uporabljate na steklenih vlaknih, zidnih ali mavčnih ploščah ter izravnalnih masah se hitreje obrabijo in se lahko hitreje okvarijo, saj odkruški in ostružki steklenih vlaken lahko odrgnejo ležaje, ščetke, komutatorje itd. Ne priporočamo uporabe izdelka za daljše obdobje pri tovrstnih materialih.

Po vsaki uporabi odstranite trak in zbiralnik prahu, če je le-ta pritjen. Očistite zbiralnik prahu, kot je prikazano v ilustracijah tega priročnika. Temeljito očistite izdelek s krtačko, suho krpo in sesalnikom.

OPOZORILO

Ne uporabljajte kompresiranega zraka za izpihovanje prahu iz izdelka; tako boste preprečili resne poškodbe oči.

OPOZORILO

Če je napajalni kabel poškodovan, ga morate zamenjati s posebnim kablom, ki ga zagotovi proizvajalec ali njegov predstavnik. Kontaktirajte pooblaščen servisni center.

Zaradi večje varnosti in zanesljivosti naj vsa popravila izvaja pooblaščen servisni center.

Vsi ležaji na tej napravi so namazani z dovolj kakovostnega maziva, tako da mazanje do konca življenjske dobe naprave ni več potrebno, če le-to normalno uporabljate. Zato dodatno mazanje ni potrebno.

ZAŠČITA OKOLJA



Namesto, da napravo zavržete, reciklirajte surovine. Napravo, pribor in embalažo je treba sortirati za okolju prijazno recikliranje.

SIMBOL



Varnostni alarm

V

Volti

Hz

Hertz

~

Izmenični tok

W

Watt

n_o

Hitrost brez obremenitve

min⁻¹

Vrtljajev ali nihajev na minuto



Skladnost CE



EurAsian oznaka o skladnosti



Ukrajinska oznaka za skladnost



Razred II, dvojno izolirano



Pred zagonom naprave pazorno preberite navodila.



Nosite zaščito za ušesa



Nosite zaščito za oči



Odpadne električne izdelke ne odlagajte skupaj z ostalimi gospodinjstskimi odpadki. Reciklažo opravljajte na predpisanih mestih. Za nasvet se obrnite na lokalne oblasti.

EN
FR
DE
ES
IT
NL
PT
DA
SV
FI
NO
RU
PL
CS
HU
RO
LV
LT
ET
HR
SL
SK
BG
UK
TR
EL

SIMBOLI V PRIROČNIKU



Opomba



Priključite na električno napajanje.



Odklopite z električnega napajanja.



Zaklenjeno



Odklenjeno



Hitrost



Hitrost, največja

Sledeče signalne besede in pomeni naj bi pojasnili ravni tveganja, ki so povezane s tem izdelkom.

NEVARNOST

Označuje neizogibno nevarno stanje, ki lahko povzroči smrt ali hude poškodbe, če ga ne preprečite.

OPOZORILO

Označuje morebitno nevarno stanje, ki bi lahko povzročilo smrt ali hude poškodbe, če ga ne preprečite.

POZOR

Označuje morebitno nevarno stanje, ki lahko povzroči manjše ali zmerne poškodbe, če se ga ne preprečite.

POZOR

(Brez simbola Varnostni alarm) Označuje stanje, ki lahko privede do poškodovanja lastnine.



Pri navrhovaní tejto leštičky boli najvyššou prioritou bezpečnosť, výkon a spoľahlivosť.

ÚČEL POUŽITIA

Táto pásová brúska je určená len na používanie osobami, ktoré si prečítali a rozumejú pokynom a výstrahám v tejto príručke, a sú za svoje činnosti zodpovedné.

Tento výrobok je určený na brúsenie kovov, dreva, plastov a podobných materiálov. Dokáže tiež odstraňovať nátery, laky a koróziu z povrchov. Tento produkt možno používať len v dobre vetraných priestoroch.

Tento produkt je určený len na suché brúsenie. Nepoužívajte tento produkt na mokré brúsenie.

Leštičku možno používať v ručnom režime a obsluhujúca osoba ňou môže pohybovať manuálne po povrchu obrobku, ktorý leští. Obrobok by mal byť upevnený k pevnému a stabilnému povrchu.

Leštičku možno používať v invertovanom režime, kedy je pripojená k pracovnému stolu pomocou príslušenstva, ktoré dodáva výrobca. V invertovanom obsluhujúca osoba vedie leštený obrobok po leštičke.

Tento výrobok je určený len na spotrebiteľské použitie.

Tento produkt nepoužívajte žiadnym iným spôsobom, ako je uvedené v účele použitia. Pri používaní mechanického nástroja na iné ako určené činnosti môže dôjsť k nebezpečným situáciám.

⚠ VAROVANIE

Prach z niektorých farieb, náterov a materiálov môže spôsobiť podráždenie alebo alergické reakcie dýchacímu systému. Prach z dreva, napríklad, dubu, buku MDF a iných, je karcinogénny. S materiálom obsahujúcim azbest môžu manipulovať alebo ho spracovávať len kvalifikovaní obsluhujúci – špecialisti.

⚠ VAROVANIE

Prečítajte si všetky výstrahy, pokyny, vyobrazenia a špecifikácie dodané k tomuto elektrickému nástroju. Pri nedodržaní týchto výstrah a pokynov môže dôjsť k úrazu elektrickým prúdom, požiaru a/alebo závažnému poraneniu

Odložte všetky výstrahy a pokyny pre budúce použitie.

SPLOŠNA VARNOSTNA OPOZORILA ZA DELOVNO STOJALO

⚠ VAROVANIE

Preberite vsa varnostna opozorila in vsa navodila, priložena delovnemu stojalu in električnemu orodju, ki se namesti na stojalo. Ak nerespektujete a inštrukcie, može to mať za následok úraz elektrickým prúdom, požiar a/alebo vážne zranenie.

■ **Odložte všetky výstrahy a pokyny pre budúce použitie.**

- Výraz „elektrický nástroj“ vo varovaniach označuje nástroj napájaný z elektrickej siete (drôtový) alebo nástroj napájaný z batérií (bezdrôtový).
- **Odpojte zástrčku zo zdroja elektriny alebo vyberte sadu batérií predtým, ako začnete vykonávať akékoľvek nastavenia alebo výmenu príslušenstva.** Náhodné spustenie elektrického náradia býva príčinou pomerne mnohých úrazov.
- **Pred namontovaním náradia pracovný stojan správne zostavte.** Správne zostavenie je dôležité, aby sa zabránilo riziku pádu.
- **Pred použitím elektrické náradie bezpečne upevnite k pracovnému stojanu.** Posúvanie elektrického náradia na pracovnom stojane môže spôsobiť stratu ovládania.
- **Pracovný stojan umiestnite na pevný, rovný povrch.** Ak sa pracovný stojan môže posúvať alebo rozkývať, elektrické náradie alebo obrobok nie sú stabilne a nedajú sa bezpečne ovládať.
- **Pracovný stojan nepreťažujte a nepoužívajte ho ako rebrík alebo lešenie.** Preťažovanie stojana alebo stúpanie na stojan spôsobí, že sa stojan stane „labilný“ s veľkou pravdepodobnosťou prevrátenia.

LEŠTIČKA – BEZPEČNOSTNÉ VÝSTRAHY

- **Náradie držte len za izolované povrchy na uchopenie, pretože brúsny povrch môže prísť do kontaktu s vlastným káblom.** Pri rezaní „živého“ vodiča by mohli byť obnažené kovové diely pod prúdom a spôsobiť obsluhujúcemu úder elektrickým prúdom.

AKUMULÁTOR – BEZPEČNOSTNÉ VÝSTRAHY

- **Upnite obrobok pomocou upínacieho zariadenia.** Neupnuté obrobky môžu spôsobiť závažné poranenie a škody. Nedržte brúsený materiál rukou.
- **Nepoužívajte brúsny pás väčší, ako je potrebné.**
- **Vždy používajte ochranné okuliare sluchu a protiprachovú masku.**
- **Pri brúsení olovených farieb, dreva a kovov treba nosiť plynovú masku aby ste predošli zdychaniu škodlivých/jedovatých látok zo vzduchu.**

ZVÝŠKOVÁ RIZIKOVOSŤ

Aj keď sa nástroj používa podľa predpisu, nie je možné eliminovať určité zvyškové rizikové faktory. Pri použití vznikajú nasledujúce riziká a obsluhujúca osoba musí venovať zvláštnu pozornosť, aby nedošlo k nasledovnému:

- zachytenie alebo kontakt s pohybujúcim sa pásom
 - Hlavne počas reverzného používania treba zvýšenú pozornosť venovať zabráneniu kontaktu prstov a rúk obsluhy s brúsnym pásom alebo zachyteniu valčekmi. Vždy, keď je to možné, použite zábranové príslušenstvo, ktoré pomôže udržať kontrolu nad obrobkom a zabráni zachyteniu do pohybujúceho sa valčeka.
- Zranenie spôsobené prachom
 - Pri používaní produktu vzniká značné množstvo prachových a jemných častíc. Pri práci s produktom používajte zariadenie na zber prachu

EN
FR
DE
ES
IT
NL
PT
DA
SV
FI
NO
RU
PL
CS
HU
RO
LV
LT
ET
HR
SL
SK
BG
UK
TR
EL



alebo vysávač na odsávanie prachu. Používajte protiprachové masky obsahujúce filtre vhodné pre obrábané materiály. Zabezpečte primerané vetranie pracoviska. Na pracovisku nejedzte, nepite ani nefajčite. Používajte len na materiály, ktoré sú uvedené v časti o určenom použití. Nepracujte s materiálmi (napr. azbestom), ktoré predstavujú zdravotné riziko.

- riziko výbuchu
 - Nahromadený jemný prach sa môže vznietiť a spôsobiť požiar. Na pracovisku udržiavajte čistotu a odstraňujte prach. Systémy na zachytávanie prachu a podtlakové vysávanie je potrebné pravidelne a dôkladne čistiť. Pri leštení koov sa môžu tvoriť horúce iskry.
- usmrtenie elektrickým prúdom
 - Napájacie alebo predlžovacie káble vedte mimo pracovného dosahu výrobku a ďalších povrchov.
- hluk a vibrácie
 - Pri práci s produktom používajte ochranu zraku. Nepoužívajte produkt príliš dlhé časové obdobia.

OBMEDZENIE RIZIKA

Boli hlásené prípady, kedy vibrácie z ručných nástrojov u niektorých osôb prispeli k stavu nazývanému Raynaudov syndróm. K symptómom patria: trpnutie, znecitlivenie a blednutie prstov, zvyčajne zjavné po vystavení zime. Je známe, že k vývoju týchto symptómov prispievajú: dedičné faktory, vystavovanie zime a vlhkosti, diéta, fajčenie a pracovné návyky. Opatrenia, ktoré môže vykonať obsluhujúca osoba na možné zníženie účinkov vibrácií:

- V studenom počasí udržiavajte svoje telo v teple. Pri práci so zariadením noste rukavice, aby ste mali ruky a zápästia v teple. Boli hlásené prípady, kedy hlavným faktorom prispievajúcim k Raynaudovmu syndrómu bolo studené počasie.
- Po každom určitom časovom úseku prevádzky cvičte, aby ste zlepšili krvný obeh.
- Počas práce si dajte časté prestávky. Obmedzte počet vystavení za deň.

Ak zistíte ktorýkoľvek zo symptómov tohto stavu, okamžite prerušte používanie zariadenia, navštívte svojho lekára a povedzte mu o symptómoch.

OBOZNÁMTE SA S VAŠIM PRODUKTOM

Vid' strana 109.

1. Regulátor rýchlosti (EBS800V)
2. Predná rúčka, izolovaný povrch na držanie
3. Nastavovacie tlačidlo prednej rukoväte
4. Nastavovací gombík brúsneho pásu
5. Poistné tlačidlo
6. Hlavná rúčka, izolovaný povrch na držanie
7. Kryt nádoby na prach
8. Nádoba na prach
9. Upínač (EBS800V)
10. Spínač
11. Uvoľňovacia páčka brúsneho pásu
12. Zarážka (EBS800V)
13. Leštiaci pás
14. Brúsny rám (EBS800V)

15. Nastavovací gombík brúsneho rámu (EBS800V)

PREVÁDZKA

- Nepoužívajte produkt bez správne vedeného a nasadeného pásu. Nesprávne vedený pás sa môže zošmyknúť z produktu a spôsobiť osobné poranenie alebo poškodenie leštičky.
- Zaisťte obrobok pomocou zveráka alebo svorky k vhodnému pracovnému stolu. To zabráni vymršteniu obrobku.
- Na držanie a ovládanie produktu oboma rukami použite pribalené rukoväte.
- Na nástroj nevyvíjajte silu. Používajte vhodný produkt pre danú aplikáciu. Správny produkt splní svoju úlohu lepšie a bezpečnejšie pri rýchlosti, na ktorú je určený.
- Na nástroj nevyvíjajte prílišný prítlak. Nechajte produkt, nech vyvíja správny prítlak a rukami vedte leštičku. Nadmerný tlak preťaží produkt a poškodí motor. Aplikovaním väčšieho tlaku sa neodstráni viac materiálu a namiesto toho sa účinnosť leštenia zníži.
- Leštiaci pás vymieňajte často, produkt si tak udrží schopnosť účinne odstraňovať materiál.
- Spustíte produkt pomocou hlavného spínača a počkajte, kým pás nedosiahne správnu rýchlosť. Potom spustíte pás na obrobok. Držte produkt bezpečne oboma rukami, lebo pohyb pásu bude posúvať produkt smerom dopredu.
- Vyberte pás správnej veľkosti a vhodnej drsnosti pre danú úlohu. Ak chcete odstraňovať viac materiálu, používajte pásy s nižším číslom hrubozrnnosti a na odstraňovanie menšieho množstva materiálu a jemnejšiu povrchovú úpravu pásy s vyšším číslom hrubozrnnosti. Ak sa pás poškodí, upchá sutinou alebo opotrebuje, vymeňte ho.
- Je normálne leštiť a posúvať produkt tam a späť pozdĺž vlákien materiálu. Leštenie kolmo na vlákna funguje, ale výsledkom bude poškrábaný a poškodený povrch.

VAROVANIE

Prach z niektorých farieb, náterov a materiálov môže spôsobiť podráždenie alebo alergické reakcie dýchaciemu systému. Prach z dreva, napríklad dubu, buku MDF a iných, je karcinogénny. S materiálom obsahujúcim azbest môžu manipulovať alebo ho spracovávať len kvalifikovaní obsluhujúci – špecialisti.

- Pripojte lapač prachu alebo pripojte port na prach k vysávaciemu zariadeniu, znížite tak riziká spojené s prachovými čistočkami.
- Všetky osoby na pracovisku alebo v blízkosti musia používať protiprachové masky, ktoré zabezpečia primeranú ochranu.
- Pri práci s výrobkami vždy noste bezpečnostné okuliare s bočnými chráničmi.
- Pri používaní produktu v invertovanom režime prevádzky používajte leštiaci rám a zábranové nástavce. Používanie nástavcov pomáha udržiavať kontrolu nad obrobkom a bráni neúmyselnému kontaktu s pohybujúcim sa pásom a valčekmi.

- Pri používaní v intertovanom režime musí byť produkt primerane zaistený k vhodnému pracovnému stolu pomocou pribalených zaisťovacích svoriek. Pozrite grafické pokyny ďalej v tejto príručke.

⚠ VAROVANIE

Dlhodobé používanie nástroja môže spôsobiť alebo zhoršiť poranenia. Pri používaní nástroja príliš dlhé obdobia si vždy doprajte pravidelné prestávky.

ÚDRŽBA

⚠ VAROVANIE

Tento produkt sa nikdy nesmie pripájať do elektrickej siete, keď montujete diely, vykonávate úpravy, čistíte alebo vykonávate údržbu, alebo keď produkt nepoužívate. Odpojenie výrobku od zdroja napájania zabráni náhodnému spusteniu, ktoré by mohlo spôsobiť vážne poranenie.

⚠ VAROVANIE

Pri servise používajte len originálne náhradné diely, príslušenstvo a nástavce výrobcu. Použitie iných dielov môže predstavovať riziko alebo spôsobiť poškodenie produktu.

⚠ VAROVANIE

Dbajte na to, aby do kontaktu s plastovými dielmi nikdy neprišli do kontaktu brzdové kvapaliny, benzín, ropné produkty, prenikavé oleje a pod. Chemikálie môžu poškodiť, oslabiť, alebo zničiť plastové časti a tak spôsobiť vážne zranenie.

Vyhýbajte sa použitiu rozpúšťadiel pri čistení plastových častí. Veľšina plastických materialov je občuttljiva na različne vrste komerzialno dostupnih topil in jih z njihovo uporabo lahko poškodujemo. Na odstránenie špiny, uhlíkového prachu a pod. použite čisté tkaniny.

Elektrické náradie, ktoré sa používa na prácu so sklenými vláknami, sádrokartónovými a obkladovými doskami, majú tendenciu sa rýchlejšie opotrebovať a prednostne sa poškodiť. Prach z týchto materiálov pôsobí na časti náradia ako sú ozubené kolesá, uhličky, vypínače, veľmi abrazívne. Neodporúčame používanie tohto produktu na dlhšie práce na týchto typoch materiálov.

Po každom použití odstráňte pás a lapač prach, ak je nasadený. Lapač prachu vyčistíte podľa vyobrazení v tejto príručke. Produkt dôkladne vyčistíte kefkou, suchou tkaninou a vysávačom.

⚠ VAROVANIE

Na odfukovanie prachu z produktu nepoužívajte stlačený vzduch, aby nedošlo k závažnému poraneniu zraku.

⚠ VAROVANIE

Ak sa kábel poškodí, je potrebné ho vymeniť za špeciálny kábel alebo súpravu dostupnú od výrobcu alebo jeho servisného zástupcu. Obráťte sa na autorizované servisné centrum.

Pre vyššiu bezpečnosť a spoľahlivosť sa musia všetky opravy vykonávať v autorizovanom servisnom centre.

Všetky ložiská v nástroji sa mažu dostatočným množstvom mazadla s vysokou kvalitou, kvôli dlhej životnosti jednotky za normálnych prevádzkových podmienok. Preto nie je potrebné žiadne ďalšie mazanie.

OCHRANA ŽIVOTNÉHO PROSTREDIA



Surové materiály recyklujte, nelikvidujte ich ako odpad. Stroj, príslušenstvo a obaly by sa mali triedene recyklovať spôsobom šetrným k životnému prostrediu.

ZNAČKY



Výstražná značka

V

Napätie

Hz

Hertz

~

Striedavý prúd

W

Watty

n_o

Otáčky bez zaťaženia

min⁻¹

Počet otáčok za minútu



CE konformita



Euroázijská značka zhody



Ukrajinské označenie zhody



Trieda II, dvojité izolácia



Pred spustením zariadenia si pozorne prečítajte tento návod.



Noste ochranu sluchu



Noste ochranu zraku



Opotrebované elektrické zariadenia by ste nemali odhadzovať do domového odpadu. Prosíme o recykláciu ak je možné. Kontaktujte miestne úrady, alebo predajcu pre viac informácií ohľadom ekologického spracovania.

SYMBOLY V NÁVODE



Poznámka:



Pripojte do elektrickej siete.



Odpojte z elektrickej siete.



Zamknuté



Odomknuté



Rýchlosť, min.



Rýchlosť, max.

Nasledujúce značky a významy vysvetľujú úroveň rizika spojeným s výrobkom.

NEBEZPEČENSTVO

Označuje bezprostredne nebezpečnú situáciu, ktorá, ak jej nepredídete, spôsobí usmrtenie alebo vážne poranenie.

VAROVANIE

Označuje potenciálne nebezpečnú situáciu, ktorá, ak jej nepredídete, môže spôsobiť usmrtenie alebo vážne poranenie.

UPOZORNENIE

Označuje potenciálne nebezpečnú situáciu, ktorá, ak jej nepredídete, môže spôsobiť menšie alebo stredne závažné poranenie.

UPOZORNENIE

(Bez výstražnej značky s výkričníkom) Označuje situáciu, ktorá môže zapríčiniť škody na majetku.

Безопасността, работните характеристики и надеждността имат най-висок приоритет при проектирането на Вашата лентова шлифовъчна машина.

ПРЕДНАЗНАЧЕНИЕ

Лентовият шлайф е предназначена за използване само от възрастни, които са прочели и разбрали инструкциите и предупрежденията в настоящото ръководство и могат да се считат за отговорни за своите действия.

Продуктът е предназначен за шлифване на метал, дърво, пластмаса или подобни материали. Тя също може да премахва бои, лакове и корозия от повърхности. Продуктът трябва да се използва само на добре вентилирани места.

Продуктът е проектиран само за сухо шлифване. Не използвайте за мокро шлифване.

Лентовата шлифовъчна машина може да се използва в ръчен режим и да се движи от оператора по повърхността на детайла, която трябва да се шлифова. Детайлът трябва да бъде закрепен към здрава и стабилна платформа.

Лентовата шлифовъчна машина може да бъде експлоатирана в режим на обърнато положение, когато е закрепена към работната маса с помощта на принадлежностите, доставени от производителя. Когато е в режим на обърнато положение, операторът направлява детайла, който трябва да бъде шлифован, по шлифовъчната лента.

Продуктът е предназначен само за потребителска употреба.

Не го използвайте за никакви други цели. Използването на електрически инструменти за различни от предвидените от производителя приложения повишава опасността от възникване на трудови злополуки.

⚠ ПРЕДУПРЕЖДЕНИЕ

Прах от определени бои, покрития и материали може да причини дразнене или алергични реакции на дихателната система. Прах от дърво, като напр. дъб, бук, MDF и други е канцерогенен. Материал, съдържащ азбест, винаги трябва да бъде обработван от квалифицирани оператори специалисти.

⚠ ПРЕДУПРЕЖДЕНИЕ

Прочетете всички предупреждения за безопасност инструкции, илюстрации и спецификации, предоставени с този електрически инструмент. Неспазването на инструкциите, изброени по-долу, може да доведе до електрически удар, пожар и/или тежки физически травми.

Съхранявайте всички предупреждения и инструкции за бъдещи справки.

ОБЩИ ПРЕДУПРЕЖДЕНИЯ ЗА БЕЗОПАСНОСТ НА РАБОТНАТА МАСА

⚠ ПРЕДУПРЕЖДЕНИЕ

Прочете всички предупреждения за безопасност и всички инструкции, предоставени с работната маса и електрическия инструмент, който трябва да бъде монтиран. Неспазването на предупрежденията и инструкциите може да доведе до токов удар, пожар и/или сериозни наранявания.

- Съхранявайте всички предупреждения и инструкции за бъдещи справки.
- Терминът „електрически инструмент“ в предупрежденията се отнася за вашия инструмент - със захранване от електрическата мрежа (с кабел) или на батерия (безжичен).
- Изключете щепсела от захранващия източник и/или акумулаторната батерия от електрическия инструмент преди извършване на каквито и да е настройки или смяна на принадлежности. Случайно стартиране на електрическия инструмент е причина за някои нещастни случаи.
- Сглобете правилно работната маса преди монтажа на инструмента. Правилното сглобяване е важно, за да се предотврати опасността от срутване.
- Внимателно закрепете електрическия инструмент към работната маса преди използване. Преместване на електрическия инструмент по работната маса може да причини загуба на контрол.
- Разположете работната маса на здрава, плоска и хоризонтална повърхност. Когато работната маса може да се премести или разклати, електрическият инструмент или детайлът не могат да бъдат стабилно и безопасно контролирани.
- Не претоварвайте работната маса и не я използвайте като стълба или скеле. Претоварване или стоене върху работната маса води до неустойчивост на масата, като има вероятност тя да се преобърне.

ПРЕДУПРЕЖДЕНИЯ ЗА БЕЗОПАСНОСТ НА ЛЕНТОВАТА ШЛИФОВЪЧНА МАШИНА

- Дръжте електрическия инструмент за изолираните повърхности за захващане, тъй като шлифовъчната повърхност да влезе в контакт с кабела му. Срязване на проводник под напрежение може да постави под напрежение откритите метални части на електрическия инструмент и да причини токов удар на оператора.

ДОПЪЛНИТЕЛНИ ПРЕДУПРЕЖДЕНИЯ ЗА БЕЗОПАСНОСТ

- Закрепете работния детайл с устройство за захващане. Незакрепени обработвани детайли могат да причинят сериозно нараняване или щети. Не дръжте материала, който шлифовате, с ръка.



- Не използвайте шкурка, по-голяма от необходимото.
- Винаги носете предпазни очила и противопрахова маска.
- Трябва да се носи подходящ дихателен респиратор, докато се шлифова оловна боя, някои видове дърво и метал, за да се избегне вдишването на вреден/токсичен прах или въздух.

НЕПРЕДВИДЕНИ РИСКОВЕ

Дори когато продуктът се използва по предназначение, е невъзможно напълно да се ограничат влиянието на определени рискови фактори. Могат да възникнат следните опасности и операторът трябва да обърне особено внимание, за да ги избегне:

- Хващане/контакт с движещата се лента
 - Особено по време на работа в обърнато положение, трябва да се проявява допълнително внимание за предотвратяване влизането в контакт на пръстите и ръцете на оператора с абразивната лента или защипване от ролките. Когато е възможно, използвайте оградящо приспособление, за да помогнете за управлението на детайла и да предотвратите защипване с движещите се ролки.
- Наранявания, причинени от прах
 - Използването на продукта ще произвежда значително количество прах и фини частици. Използвайте устройството за събиране на прах или свържете смукателно устройство за извличане на прах, когато работите с продукта. Носете маски против прах с филтри, подходящи за материалите, върху които работите. Осигурете подходяща вентилация на работното място. Не употребявайте храни, напитки или цигари в зоната на работа. Работете само върху материали, които са посочени в раздела „Предназначение“. Не работете върху материали (напр. азбест), които представляват риск за здравето.
- Опасност от експлозия
 - Акумулираният фин прах може да се възпламени и да причини пожар. Пазете работната зона чиста и свободна от прах. Системите за събиране и вакуумно изтегляне на прах трябва да се почистват редовно и старателно. При шлифване на метал, може да се получат горещи искри.
- Смърт вследствие на токов удар
 - Пазете силовите и удължителните кабели изцяло извън работния обхват на изделието и други електропроводими повърхности.
- Шум и вибрации
 - Винаги носете защитни средства за очите, когато работите с продукта. Не работете с продукта за продължителни периоди от време. Одукта за продължителни периоди от време.

НАМАЛЯВАНЕ НА РИСКА

Известно е, че вибрациите, произведени от ръчни инструменти може да предизвикат у някои индивиди заболяване, наречено Синдром на Рейнолд (Raynaud's Syndrome). Симптомите може да включват изтръпване, схващане и изbledняване на пръстите, обикновено се забелязват при излагане на студ. Смята се, че наследствените фактори, излагането на студ и влага, диетите, пушенето и някои работни навици допринасят за развитието на тези симптоми. Могат да се вземат някои мерки, които могат да се предприемат от оператора, за да се намалят ефектите от вибрациите:

- Поддържайте телесната температура в студено време. Когато боравите с инструмента, носете ръкавици, за да поддържате ръцете и китките си топли. Според изследвания главният фактор, допринасящ за развитието на Raynaud's Syndrome, е студеният време.
- Правете упражнения за активизиране на кръвообращението след всеки работен цикъл.
- Редовно излизайте в почивка. Ограничете излагането на вибрации на ден.

При поява на някои от симптомите на това заболяване, незабавно прекратете употребата на инструмента и посетете лекар.

ОПОЗНАЙТЕ ВАШИЯ ПРОДУКТ

Вж. страница 109.

1. Скала на скоростта (EBS800V)
2. Предна ръкохватка, изолирана повърхност за захващане
3. Бутон за регулиране на предната ръкохватка
4. Копче за настройка на шлифовъчната лента
5. Бутон за заключване
6. Основна ръкохватка, изолирана повърхност за захващане
7. Капак на кутията за събиране на прах
8. Кутия за събиране на прах
9. Скоба (EBS800V)
10. Спусък
11. Лост за освобождаване на шлифовъчната лента
12. Ограничителна опора за детайла (EBS800V)
13. Шлифовъчна лента
14. Шлифовъчна рамка (EBS800V)
15. Копче за настройка на шлифовъчната рамка (EBS800V)

РАБОТА

- Не работете с изделието без правилно направлявана и монтирана лента. Неправилно направлявана лента може да изскочи и да причини телесна повреда или щети на шлифовъчната машина.
- Закрепете детайла с менгеме или скоба към подходяща работна маса. Това спомага за предотвратяване на това детайлът да стане хвърлен предмет.
- Използвайте предоставените дръжки и управлявайте изделието с двете ръце.





- Не насилвайте продукта. Използвайте правилния инструмент в съответствие с конкретното приложение. Правилно подобраният електрически инструмент ще свърши работата по-добре и по-безопасно в зададения от производителя диапазон на натоварване.
- Не прилагайте прекомерен натиск към изделието. Оставете тежестта на изделието да приложи правилния натиск и използвайте ръцете си, за да водите шлифовъчната машина. Прекомерен натиск ще претовари изделието и ще повреди електродвигателя. Прилагането на повече натиск няма да сменя повече материал и вместо това ще намали ефективността на шлифоването.
- Сменяйте често шлифовъчната лентата, за да поддържате способността на изделието ефективно да сменя материал.
- Стартирайте изделието с помощта на спусъчния превключвател и позволете лентата да получи правилната скорост. След това снижете лентата към детайла. Дръжте здраво изделието с две ръце, защото движението на лентата ще движи изделието напред.
- Изберете лента с правилен размер и подходяща грапавост за задачата. Използвайте ленти с по-малък номер на зърнистост за снемане на повече материал; по-голям номер на зърнистост за снемане на по-малко материал и за по-фина окончателна обработка. Заменете лентата, ако се повреди, задържи се с отпадъци или е износена.
- Нормално е да се шлифова и движи изделието напред и назад по посока на текстурата на материала. Шлифване напречно на текстурата ще работи, но ще доведе до надраскана и повредена повърхност.

⚠ ПРЕДУПРЕЖДЕНИЕ

Прах от определени бои, покрития и материали може да причини дразнене или алергични реакции на дихателната система. Прах от дърво, като напр. дъб, бук, MDF и други е канцерогенен. Материал, съдържащ азбест, винаги трябва да бъде обработван от квалифицирани оператори специалисти.

- Използвайте колектор за прах или свържете отвора за прах към вакуумно устройство, за да намалите опасностите, свързани с праховите частици.
- Всички лица в рамките на работната област или в близост до нея трябва да носят прахови маски, които предлагат подходяща защита.
- Винаги носете защитна маска или защитни очила със странични екрани, когато боравите с този инструмент.
- Използвайте шлифовъчна рамка и оградящи приспособления, когато използвате изделието в режим на обърнато положение на експлоатация. Използването на приспособленията помага за управлението на позицията на детайла и предотвратява случаен контакт с движещата се лента и ролките.

- Когато се използва в режим на обърнато положение, изделието трябва да бъде закрепено съответно към подходяща работна маса с помощта на предоставените спомагателни скоби. Вижте графичните инструкции по-долу в това ръководство.

⚠ ПРЕДУПРЕЖДЕНИЕ

Продължителното използване на инструмента може да доведе до наранявания или влошаване. При използване на инструмента за продължителни периоди от време правете чести почивки.

ПОДДРЪЖКА

⚠ ПРЕДУПРЕЖДЕНИЕ

Продуктът не трябва никога да се включва в захранване, когато сглобявате части, правите настройки, почиствате, извършвате поддръжка или когато не го използвате. Изключването на продукта от захранването ще предотврати случайно стартиране, което би могло да причини сериозни наранявания.

⚠ ПРЕДУПРЕЖДЕНИЕ

При обслужване използвайте само оригинални резервни части, аксесоари и средства за прикрепване на производителя. Използването на други части може да ви постави в опасност или да повреди продукта.

⚠ ПРЕДУПРЕЖДЕНИЕ

В никакъв случай не позволявайте пластмасовите части да влизат в контакт със спирални течности, нефтени продукти, проникващи масла и т.н. Химикалите могат да повредят, отслабят или унищожат пластмасата, което може да доведе до сериозни физически наранявания.

Избягвайте използването на разтворители при почистването на пластмасовите части. Повечето пластмаси са чувствителни към различни видове разтворители и може да се повредят при използването на такива. Използвайте меки кърпи за отстраняване на замърсявания, възлеероден прах и др.

Електрическите инструменти, използвани за стъкловлакнест материал, шпакловъчен строителен състав или мазилка са подложени на ускорено износване и възможна преждевременна повреда, защото парчетата от стъклени влакна и стружките са силно абразивни за лагери, вулки, превключватели и т.н. Не препоръчваме използването на продукта за продължителни периоди от време върху тези видове материали.

След всяко използване сваляйте лентата и колектора за прах, ако е монтиран. Почиствайте колектора



за прах, както е показано в илюстрациите в това ръководство. Почиствайте напълно изделието с четка, суха кърпа и прахосмукачка.

ПРЕДУПРЕЖДЕНИЕ

Не използвайте сгъстен въздух, за да издухате праха от изделието, за да предотвратите сериозни наранявания на очите.

ПРЕДУПРЕЖДЕНИЕ

Ако захранващият кабел е повреден, той трябва да бъде заменен със специален кабел или механизъм, достъпни от производителя или негов сервизен представител. Свържете се с упълномощен сервизен център.

За по-голяма безопасност и надеждност всички ремонти трябва да се извършват от оторизиран сервиз. Всички лагери в този продукт за смазани с достатъчно количество висококачествено масло, което трябва да стигне за целия експлоатационен живот на инструмента при нормални работни условия. Затова не е необходимо допълнително смазване.

ОПАЗВАНЕ НА ОКОЛНАТА СРЕДА



Рециклиране на суровини, вместо за обезвреждане като отпадък. Машината, допълнителните приспособления и опаковките трябва да бъдат подложени на подходяща преработка за оползотворяване на съдържащите се в тях вторични суровини.

ЗНАК



Предупреждение относно безопасността

V Напрежение

Hz Херц

 Променлив ток

W Ватове

n₀ Скорост в ненатоварен режим

min⁻¹ Обороти или възвратно-постъпателни движения в минута



ЕС Съответствие



EurAsian знак за съответствие



Украински знак за съответствие



Инструмент от клас II, двойна изолация



Прочетете инструкциите внимателно, преди да стартирате машината.



Носете антифони



Носете защитни средства за очи



Електрическите уреди не трябва да се изхвърлят заедно с битовите отпадъци. Рециклирайте, където има възможност. Обърнете се за съвет по рециклирането към местните власти или разпространителите.

СИМВОЛИ В НАСТОЯЩОТО РЪКОВОДСТВО



Забележка



Включете в захранването.



Изключете от електрическото захранване.



Ключалка



Отключване



Скорост, минимална



Скорост, максимална

Следните сигнални думи и техните съответни значения обясняват нивата на опасност, свързани с употребата на този продукт:

ОПАСНОСТ

Указва неминуемо опасна ситуация, която ако не бъде избегната, ще доведе до сериозни наранявания или смърт.

ПРЕДУПРЕЖДЕНИЕ

Указва потенциално опасна ситуация, която ако не бъде избегната, може да доведе до сериозни наранявания или смърт.

ВНИМАНИЕ

Указва потенциално опасна ситуация, която ако не бъде избегната, може да доведе до дребни или средни наранявания.



ВНИМАНИЕ

(Без предупредителен символ за безопасност) Указва ситуация, която може да доведе до имуществени щети.

EN
FR
DE
ES
IT
NL
PT
DA
SV
FI
NO
RU
PL
CS
HU
RO
LV
LT
ET
HR
SL
SK
BG
UK
TR
EL



Безпеці, продуктивності і надійності наданий вищий пріоритет в дизайні вашої стрічко-шліфувальної машини.

ПРИЗНАЧЕННЯ

Стрічкова шліфувальна машина призначена для використання тільки дорослими, які уважно прочитали і зрозуміли інструкції та попередження у цій інструкції з використання, і можуть вважатися відповідальним за свої дії.

Пристрій призначений для шліфування металу, деревини, пластику або схожих матеріалів. Вона також може видалити фарбу, лак і корозії з поверхні. Продукт повинен бути використаний тільки в добре провітрюваних приміщеннях.

Продукт призначений тільки для сухого шліфування. Не використовуйте продукт для вологого шліфування.

Стрічко-шліфувальна машина може бути використана в портативному режимі і переміщатися вручну оператором на поверхні деталі, щоб відшліфувати. Заготівля повинна бути прикріплена до міцної і стійкої платформи.

Стрічко-шліфувальна машина може працювати в інверторному режимі, якщо прикріплена до робочого столу за допомогою приладдя, що поставляється виробником. Коли в інверторному режимі оператор направляє заготовку бути відшліфованою на цьому шліфувальному ремені.

Пристрій призначений тільки для домашнього використання.

Не використовуйте пристрій для будь-яких інших цілей. Використання електричного інструменту для операцій, які відрізняються від призначених, може призвести до небезпечної ситуації.

⚠ ПОПЕРЕДЖЕННЯ

Пил від деяких фарб, покриттів і інших матеріалів може викликати роздратування або алергічні реакції. Пил від дерев, таких як дуб, бук, МДФ та інших подібних матеріалів може бути канцерогенним. Матеріали, що містять азбест повинні бути опрацьовані або оброблятися тільки кваліфікованими операторами-фахівцями.

⚠ ПОПЕРЕДЖЕННЯ

Прочитайте всі правила безпеки, інструкції, ілюстрації і специфікації, що поставляються з електроінструментом. Недотримання всіх зазначених інструкцій може призвести до ураження електричним струмом, пожежі та/або серйозних травм.

Збережіть всі інструкції і вказівки для майбутнього використання.

ТЕХНІКА БЕЗПЕКИ ПРИ КОРИСТУВАННІ РОБОЧИМ ВЕРСТАТОМ

⚠ ПОПЕРЕДЖЕННЯ

Прочитайте всі правила безпеки та інструкції, що додаються до робочого верстату та електроінструменту, який на ньому монтуватиметься. Недотримання попереджень та інструкцій може призвести до ураження електричним струмом, пожежі та / або серйозної травми.

- **Збережіть всі інструкції і вказівки для майбутнього використання.**
- Термін "електроінструмент" "в попередженнях відноситься до Вашого мережевого (з кабелем) електроінструменту або з батарейним живленням (бездротового) електроінструменту.
- **Перед здійсненням будь-яких налаштувань або заміни аксесуарів, від'єднайте вилку від джерела живлення та/або акумуляторну батарею від електроінструменту.** Випадковий запуск електроінструменту може стати причиною нещасного випадку.
- **Перед монтажем приладу, правильно зберіть робочий верстат.** Правильна збірка має важливе значення для запобігання ризику нештатної ситуації.
- **Перед використанням, надійно закріпіть електроінструмент на робочому верстаті.** Зсув електроінструменту на робочому верстаті може призвести до втрати контролю.
- **Помістіть робочий верстат на твердій, плоскій та рівній поверхні.** Неможливо забезпечити надійний та безпечний контроль над електроінструментом та заготовкою, якщо існує імовірність зсуву або хитання робочого верстату.
- **Не перевантажуйте робочий верстат та не використовуйте його в якості драбини або риштування.** Перевантаження або стояння на робочому верстаті може призвести до нестійкості та імовірного перекидання.

ПОПЕРЕДЖЕННЯ БЕЗПЕКИ СТРІЧКО-ШЛІФУВАЛЬНОЇ МАШИНИ

- **Тримайте інструмент тільки за ізольовані поверхні, тому що шліфувальна поверхня може контактувати зі шнуром пристрою.** Різка провода «під напругою» може зробити металеві частини електроінструменту «під напругою», і може надати оператору ураження електричним струмом.

ДОДАТКОВІ ЗАХОДИ БЕЗПЕКИ.

- **Затисніть заготовку за допомогою затискного пристрою.** Незатиснені заготовки можуть привести до серйозних травм і пошкоджень. Не тримайте матеріал, який ви шліфувате вручну.
- **Не використовуйте шліфувальну стрічку більшу, ніж потрібно.**
- **Завжди надягайте захисні окуляри і респіратор.**



- Придатний дихальний респіратор повинен одягатися під час шліфування свинцевої фарби, деякої деревини і металу, щоб уникнути вдихання шкідливого / токсичного пилю або повітря.

ЗАЛИШКОВІ РИЗИКИ

Навіть коли продукт використовується як написано, залишається неможливим повністю усунути деякі залишкові чинники ризику. Наступні небезпеки можуть виникнути і оператор повинен звернути особливу увагу, щоб уникнути наступного:

- захоплення або контакт з рухомою стрічкою
 - Особливо під час зворотного ходу необхідно дотримуватися додаткової обережності, щоб запобігти контакту пальців та рук оператора з абразивним ременем або втягнутими роликками. Використовуйте приладдя направляючої деталі, коли це можливо, щоб допомогти керувати заготовлю та запобігти захопленню в рухомий ролик.
- Травми, викликані пилом.
 - Використання пристрою буде виробляти значну кількість пилю і дрібних частинок. Використовуйте пристрій для збору пилю або підключіть пиловиділяючий вакуумний прилад при роботі з продуктом. Носіть респіратори, що містять фільтри, відповідні до обробляємих матеріалів. Забезпечте достатню вентиляцію на робочому місці. Не їжте, не пийте і не паліть в робочій зоні. Працюйте тільки з матеріалами, зазначеними в розділі «Призначено для використання». Не працюйте з матеріалами (наприклад, азбестом), які становлять небезпеку для здоров'я.
- Ризик вибуху
 - Накопичений дрібний пил може спалахнути і викликати пожежу. Тримайте робоче місце в чистоті і вільним від пилю. Пилосбірник і системи вакуумної екстракції слід регулярно і ретельно чистити. При шліфуванні металу, гарячі іскри можуть вироблятися.
- удар електричним струмом
 - Тримайте кабелі живлення та подовжувачі далі від робочої зони та інших провідних поверхонь.
- шум і вібрація
 - Користуйтеся засобами захисту слуху при роботі продукту. Не використовуйте продукт протягом тривалого періоду часу.

ЗНИЖЕННЯ РИЗИКУ

Повідомлялося, що вібрації від ручних інструментів у певних осіб можуть сприяти стану, який називається синдромом Рейно. Симптоми можуть включати поколювання, оніміння і збліднення пальців, як правило, очевидні при впливі холоду. Спадкові фактори, вплив холоду і вогкості, діста, куріння і робоча практика, всі ці чинники роблять свій внесок у розвиток цих симптомів. Ці заходи можуть бути прийнятні оператором, щоб можливо зменшити вплив вібрації:

- Тримайте тіло в теплі в холодну погоду . При

експлуатації приладу, одягайте рукавички, щоб тримати руки і заг'ястя у теплі. Повідомлялося, що холодна погода є основним чинником, що сприяє синдрому Рейно.

- Після кожного періоду роботи, здійсніте вправи для підвищення кровообігу.
- Робіть часті перерви в роботі. Зробіть обмеження кількості впливу на день.

Якщо ви відчуваєте будь-які з симптомів цього стану, негайно припиніть використання і зверніться до лікаря з ціми симптомами.

ЗНАЙ СВІЙ ПРОДУКТ

Дивіться сторінку 109.

1. Регулятор швидкості (EBS800V)
2. Передня ручка, ізольована поверхня для утримання
3. Кнопка регулювання передньої рукоятки
4. Ручка регулювання шліфувальної стрічки
5. Кнопка блокування
6. Основна ручка, ізольована поверхня для утримання
7. Кришка відділення для пилю
8. Відділення для пилю
9. Затискач (EBS800V)
10. тригер
11. Важіль від'єднання шліфувальної стрічки
12. Верстатний стопор (EBS800V)
13. Шліфувальну стрічку
14. Станина для шліфування (EBS800V)
15. Ручка регулювання станини для шліфування (EBS800V)

ФУНКЦІОНУВАННЯ

- Не використовуйте продукт, який не правильно встановлений і обладнаний ременем. Неправильно встановлений ремень може відірватися від продукту і привести до травмування або пошкодження шліфувальної машини.
- Закріпіть заготовку з лещатами або затискачем на підходящому верстаті. Це допомагає запобігти, щоб заготовка стала кинутим об'єктом.
- Використовуйте поставлязмі ручки, щоб утримувати і контролювати продукт з обома руками.
- Не перевантажуйте електрінструмент. Використовуйте правильний продукт для вашого використання. Правильний продукт буде робити роботу краще і безпечніше при швидкості, для якої він призначений.
- Не прикладайте надлишкового тиску на продукт. Нехай вага продукту застосує правильний тиск і використовуйте свої руки, щоб направляти шліфувальну машину. Надмірний тиск перенавантажуватиме продукт і пошкодить двигун. Застосування більшого тиску не буде видаляти більшу кількість матеріалу і знизить ефективність шліфування.
- Змінійте шліфувальні стрічки часто, щоб підтримувати здатність продукту ефективно видаляти матеріал.
- Запустіть продукт за допомогою кнопочового вимикача і дозвольте реміню отримати правильну



швидкість. Потім опустіть ремінь на виріб. Утримуйте продукт надійно обома руками, так як рух стрічки буде просувати продукт вперед.

- Виберіть ремінь правильного розміру і відповідної шорсткості для виконання цього завдання. Використовуйте ремені з меншим номером зернистості для видалення більше матеріалу; вищий номер зернистості для видалення менше матеріалу і для більш тонкої обробки. Замініть стрічку, якщо вона пошкоджена, забита сміттям, або зношена.
- Це нормально, щоб шліфувати і переміщати пристрій вперед і назад вздовж волокон матеріалу. Шліфування поперек волокон спрацює, але це призводить до подряпання і пошкодження поверхні.

⚠ ПОПЕРЕДЖЕННЯ

Пил від деяких фарб, покриттів і інших матеріалів може викликати роздратування або алергічні реакції. Пил від дерев, таких як дуб, бук, МДФ та інших подібних матеріалів може бути канцерогенним. Матеріали, що містять азбест повинні бути опрацьовані або оброблятися тільки кваліфікованими операторами-фахівцями.

- Використовуйте пилозбірник або підключіть пиловою отвір до вакуумного пристрою, щоб зменшити ризики, пов'язані з частинками пилу.
- Всі особи, що знаходяться в робочій зоні, або поруч повинні носити респиратори, які пропонують відповідний захист.
- При роботі завжди пользуйтеся захитними очками с боковими протекторами.
- Використовуйте шліфувальну рамку і деталі кріплення прямої деталі при використанні продукту в інвертному режимі. Використання вкладень допомагає контролювати положення заготовки і запобігає випадковому контакту з рухомою стрічкою і роликками.
- При використанні в інвертному режимі, продукт повинен бути належним чином закріплений на підходящий верстак з використанням допоміжних затискачів, що надані. Дивіться графічні інструкції нижче в цьому керівництві.

⚠ ПОПЕРЕДЖЕННЯ

Тривале використання інструменту може викликати або посилити травми. При використанні інструменту протягом тривалого періоду, робіть регулярні перерви.

ОБСЛУГОВУВАННЯ

⚠ ПОПЕРЕДЖЕННЯ

Продукт не повинен бути підключений до джерела живлення при складанні деталей, регулюванні, чищенні, проведенні технічного обслуговування або коли продукт не використовується. Від'єднання пристрою від мережі живлення унеможливує випадковий запуск пристрою, який може стати причиною серйозного травмування.

⚠ ПОПЕРЕДЖЕННЯ

При обслуговуванні використовуйте тільки оригінальні запасні частини аксесуари та обладнання від виробника. Використання будь-яких інших деталей може створити небезпеку або спричинити пошкодження продукту.

⚠ ПОПЕРЕДЖЕННЯ

Ніколи не дозволяйте гальмівній рідині, бензину, продуктам на основі нафти, і проникаючим маслам вступати в контакт з пластиковими деталями. Хімічні речовини можуть пошкодити, послабити або знищити пластик, який може привести до серйозної травми.

Не використовуйте розчинники для очищення пластмасових деталей. Більшість пластмас вразливі до різних видів комерційних розчинників і може бути пошкоджена їх використанням. Використовуйте чисті ганчірки для видалення бруду і вугільного пилу.

Електричні інструменти, використовувани на скловолоконному матеріалі, стінних панелях, мастиках або штукатурці підлягають прискореному зносу і можлива їх передчасна відмова, бо скловолокняна стружка і шліфування є дуже абразивним для підшипників, щіток, комутаторів і т.д. Отже, ми не рекомендуємо використовувати продукт для тривалої роботи з цими видами матеріалів.

Після кожного використання, зніміть ремінь і пилозбірник, якщо він встановлений. Очистіть пилозбірник, як показано на ілюстраціях у цьому посібнику. Очистіть продукт ретельно щіткою, сухою тканиною і пилососом.

⚠ ПОПЕРЕДЖЕННЯ

Не використовуйте стиснене повітря, щоб здути пил з продукту, щоб запобігти серйозним травмам очей.

⚠ ПОПЕРЕДЖЕННЯ

Якщо кабель живлення пошкоджений, його слід замінити на спеціально призначений кабель або на такий, що постачається виробником або сервісним центром. Зв'яжіться з авторизованим сервісним центром.

Для більшої безпеки і надійності, всі ремонтні роботи повинні виконуватися в авторизованому сервісному центрі.

Всі підшипники в продукті змащені достатньою кількістю високоякісного мастила для всього терміну служби продукту при нормальних умовах експлуатації. Таким чином, додаткове змащення не потрібно.

ЗАХИСТ НАВКОЛИШНЬОГО СЕРЕДОВИЩА.



Переробляйте сировину замість утилізації в якості відходів. Машини, обладнання та упаковка повинні бути відсортовані для дружньої для навколишнього середовища утилізації.

СИМВОЛ



Попередження безпеки

V

Вольти

Hz

Герц

~

Змінний струм

W

Ватти

n₀

Швидкість без навантаження

min⁻¹

Оберти або зворотно-поступальні рухи у хвилину



CE Conformity



Євразійський знак відповідності



Український знак відповідності



Інструмент II класу, подвійна ізоляція



Будь ласка, уважно прочитайте інструкцію перед запуском продукту.



Носіть захист слуху



Носіть захист для очей



Відходи електротехнічної продукції не слід викидати разом із побутовими відходами. Будь ласка, переробляйте там, де наявне устаткування. Перевірте з вашим місцевим органом влади або продавцем для консультацій з приводу переробки.

СИМВОЛИ



Примітка



Підключіть до джерела живлення.



Відключіть від джерела живлення.



Блокувати



Розблокувати



Швидкість, мінімальна



Швидкість, максимальна

Наступні сигнальні слова і змісти призначені для пояснення рівнів ризику, пов'язаних з продуктом.

⚠ НЕБЕЗПЕКА

Вказує на неминуче небезпечну ситуацію, яка, якщо її не уникнути, може призвести до смерті або серйозних травм.

⚠ ПОПЕРЕДЖЕННЯ

Вказує на потенційно небезпечну ситуацію, яка, якщо її не уникнути, може призвести до смерті або серйозних травм.

⚠ ПОПЕРЕДЖЕННЯ

Вказує на потенційно небезпечну ситуацію, яка, якщо її не уникнути, може призвести до середньої або легкої травми.

ПОПЕРЕДЖЕННЯ

(Без попереджувального знаку безпеки) Вказує на ситуацію, яка може призвести до пошкодження майна.

Kayışlı zımpara makineniz tasarlanırken temel öncelik güvenlik, performans ve güvenilirlik özelliklerine verilmiştir.

KULLANIM AMACI

Kayışlı zımpara bu kılavuzdaki talimat ve uyarıları okuyup anlamış olan, davranışlarının sorumluluğunu alabilen yetişkinler tarafından kullanılmalı için tasarlanmıştır.

Ürün metal, ahşap, plastik veya benzer malzemeleri zımparalamak için geliştirilmiştir. Ayrıca yüzeylerden boya, vernik ve korozyonu temizleyebilir. Ürün sadece iyi havalandırılmış alanlarda kullanılmalıdır.

Ürün sadece kuru zımparalama için tasarlanmıştır. Bu ürünü yaş zımparalama için kullanmayın.

Bant zımpara makinesi elde kullanılabilir ve operatör tarafından elle, zımparalanacak iş parçası yüzeyinin üzerine yerleştirilebilir. İş parçası dayanıklı ve sabit bir platforma sabitlenmelidir.

Bant zımpara makinesi üretici tarafından sağlanan aksesuarlar kullanılarak bir çalışma tezgahına sabitlendiğinde ters çevrilmiş moda kullanılabilir. Ters çevrilmiş moda operatör, zımparalanacak iş parçasını zımpara bandı üzerinde yönlendirir.

Ürün sadece tüketici kullanımı için geliştirilmiştir.

Bu ürünü belirtilen kullanım amacı dışında herhangi bir amaçla kullanmayın. Elektrikli aletin tasarladığından farklı bir işte kullanılması tehlikeli durumlara neden olabilir.

⚠ UYARI

Belirli boyalardan, kaplamalardan veya materyallerden kaynaklanan toz solunum sisteminde tahrişe veya alerjik reaksiyona neden olabilir. Meşe, kayın, MDF ve diğer ağaçlar gibi ahşaptan kaynaklanan toz kanserojendir. Asbest içeren materyal yalnızca nitelikli uzman operatörler tarafından işlenmeli ve üzerinde çalışma yapılmalıdır.

⚠ UYARI

Bu aletle birlikte verilen tüm uyarı, talimat ve özellikleri dikkatlice okuyunuz ve resimli açıklamalara bakınız. Aşağıda belirtilen talimatlara uyulmaması, yangın, elektrik çarpması ve/veya ciddi bedensel yaralanmalar gibi kazalar sebep olabilir.

Tüm uyarıları ve talimatları daha sonra başvurmak üzere saklayın.

GENEL ÇALIŞMA TEZGAHI GÜVENLİK UYARILARI

⚠ UYARI

Çalışma tezgahı ve ona monte edilecek elektrikli aletle birlikte verilen üttün güvenlik uyarılarını ve talimatları okuyun. Uyarıların ve talimatların yerine getirilmemesi elektrik çarpması, yangın ve/veya ciddi yaralanmalara yol açabilir.

■ Tüm uyarıları ve talimatları daha sonra başvurmak

üzere saklayın.

- Aşağıdaki güvenlik talimatlarında kullanılan «elektrikli alet» terimi, kablolu elektrikli aletleri belirttiği gibi, kablosuz elektrikli aletleri de belirtmektedir.
- **Herhangi bir ayar yapmadan ya da aksesuar değiştirmeden önce fişi güç kaynağından ve/veya pil takımını aletten çıkarın.** Elektrikli aletin istenmeden çalışması bazı kazalara neden olur.
- **Aleti monte etmeden önce, çalışma tezgahını gerektiği gibi kurun.** Doğru kuruluş, yıkılma riskini önlemede önemlidir.
- **Kullanmadan önce elektrikli aleti çalışma tezgahına güvenli bir biçimde tespit edin.** Elektrikli aletin tezgah üzerinde kayması kontrol kaybına neden olabilir.
- **Çalışma tezgahını sağlam, düz ve dengeli bir yüzey üzerine yerleştirin.** Çalışma tezgahı kayıp sarsıldığı zaman elektrikli alet ya da işlenen parça güvenle kontrol edilemez.
- **Çalışma tezgahına aşırı yük yüklemeyin, merdiven ya da iskele olarak kullanmayın.** Çalışma tezgahına aşırı yük yüklemek ya da üzerinde durmak tezgahın üst bölümünün ağır olmasına ve devrilmesine yol açar.

BANT ZİMPARA MAKİNESİ GÜVENLİK UYARILARI

- **Zımpara yüzeyi kendi kablosuyla temas edebileceği için elektrikli aleti sadece yalıtılmış kavrama yüzeylerinden tutun.** Elektrik geçen kabloların kesilmesi, elektrikli aletin metal parçalarının elektrikle yüklenmesine ve kullanıcıyı elektrik çarpmasına neden olabilir.

İLAVE GÜVENLİK UYARILARI

- **İş parçasını bir mengene ile sıkıştırın.** Sabitlenmemiş parçalar ciddi yaralanmaya ve hasara sebep olabilir. Zımparaladığınız materyali elinizle tutmayın.
- **İhtiyaç duyulandan daha büyük bir zımpara şeridi kullanmayın.**
- **Her zaman güvenlik gözlükleri ve bir toz maskesi takın.**
- **Toz ve zehirli buharlar solunmayı önlemek için kurşun bazlı boya kaplı yüzeyler veya bazı ahşap ve metal yüzeyleri zımparaladığınızda uygun toz önleyici bir maske takınız.**

ARDIL RİSKLER

Ürün belirttiği şekilde kullanıldığı zaman bile belirli artık risk faktörlerinin tamamen ortadan kaldırılması mümkün değildir. Kullanım sırasında aşağıdaki tehlikeler ortaya çıkabilir ve operatör bunlardan kaçınmak için özellikle dikkat etmelidir:

- Sıkışma veya hareketli bantla temas tehlikesi
 - Özellikle tersine çalıştırma sırasında operatörün parmakları ya da ellerinin zımpara kayışıyla temas etmesini ya da silindirlere kapılmasını önlemek için fazladan dikkat etmesi gereklidir. Mümkün olduğunda iş parçasının kontrol edilmesine yardımcı olmak ve hareketli silindirlere arasına sıkışmasını önlemek için çit aksesuarını kullanın.
- Toz kaynaklı yaralanmalar



- Ürün kullanımı büyük ölçüde toz ve ince parçacık meydana getirecektir. Ürünü işletime alırken toz toplama makinesi kullanın ya da toz vakumu bağlayın. Üzerinde çalışılan materyale uygun filtreler içeren toz maskeleri takın. Çalışma yerinin uygun şekilde havalandırıldığından emin olun. Çalışma alanı içinde bir şey yemeyin, içmeyin veya sigara içmeyin. Sadece Kullanım Amacı bölümüne belirtilen malzemeler üzerinde kullanın. Sağlığı tehdit eden materyaller (örneğin; asbest) üzerinde kullanmayın.
- Patlama riski
 - Biriken ince toz tutuşabilir ve yangına neden olabilir. Çalışma alanını temiz ve tozdan uzak tutun. Toz toplama ve vakumlu ekstraksiyon sistemleri düzenli olarak ve iyice temizlenmelidir. Metal zımparalama sırasında kıvılcım çıkabilir.
- Elektrik çarpması
 - Güç ve uzatma kablolarını ürünün çalışma alanının ve diğer iletken yüzeylerin uzağında tutun.
- Gürültü ve titreşim tehlikesi
 - Ürünü kullanırken kulak tıkacı takın. Ürünü uzun süre kullanmayın.

RİSK AZALTMA

El aletlerinden gelen titreşimlerin bazı kişilerde Raynaud Sendromu denen bir duruma neden olabileceği bildirilmiştir. Karıncalanma, hissizlik ve parmakların sararması gibi genelde soğuğa maruz kaldıktan sonra görülen semptomlar oluşabilir. Kalıtsal faktörler, soğuğa ve neme maruz kalmak, diyet, sigara ve çalışma pratikleri de bu semptomların oluşmasına neden olabilecek etkenler olarak kabul edilmektedir. Operatör titreşim etkilerini azaltabilecek önlemler alabilir:

- Soğuk havalarda vücudunuzu sıcak tutun. Ürünü çalıştırırken ellerinizi ve bileklerinizi sıcak tutmak için eldiven takın. Soğuk havanın Raynaud Sendromunun ana tetikleyicilerinden olduğu bildirilmiştir.
- Her operasyon sürecinden sonra kan dolaşımını arttırmak için egzersiz yapın.
- Sık sık işe ara verin. Günlük maruziyet miktarını sınırlandırın.

Bu rahatsızlığın semptomlarından herhangi birini görürseniz, aleti kullanmayı derhal bırakın ve bir doktora görünün.

ÜRÜNÜNÜZÜ TANIYIN

Sayfa 109'ya bakın.

1. Hızlı arama (EBS800V)
2. Ön tutamak, yalıtılmış kavrama yüzeyi
3. Ön tutamak ayar düğmesi
4. Kumlama kuşağı ayar topuzu
5. Kilitleme düğmesi
6. Ana tutamak, yalıtılmış kavrama yüzeyi
7. Toz kutusu kapağı
8. Toz kutusu
9. Kelepçe (EBS800V)
10. Tetik
11. Kumlama kuşağı bırakma kolu
12. Bantlı kumlama tutucusu (EBS800V)

13. Zımpara şeridi
14. Kumlama şasisi (EBS800V)
15. Kumlama şasisi ayar topuzu (EBS800V)

ÇALIŞTIRMA

- Ürünü, bandı uygun şekilde yerleştirmeden ve sabitlemeden kullanmayın. Yanlış yerleştirilmiş bant ürünü düşürebilir ve fiziksel yaralanmaya veya zımpara makinesinin zarar görmesine neden olabilir.
- İş parçasını bir mengene veya kelepçe ile uygun bir çalışma tezgahına sabitleyin. Bu, iş parçasının fırlamasını önlemeye yardımcı olur.
- Ürünü iki elinizle tutmak ve kontrol etmek için ürünle birlikte verilen kolları kullanın.
- Alete güç uygulamayın. Yapacağınız uygulama için doğru ürünü kullanın. Doğru ürün tasarlandığı hızda işi daha iyi ve daha güvenli şekilde yerine getirecektir.
- Ürüne aşırı kuvvet uygulamayın. Ürün ağırlığının doğru baskı uygulamasını sağlayın ve zımpara makinesini yönlendirmek için ellerinizi kullanın. Aşırı baskı, ürüne aşırı yük uygular ve motora zarar verir. Daha fazla baskı uygulamak daha fazla malzeme sökmek ve bunun yerine zımparalama verimini azaltır.
- Ürünün malzemeyi etkili şekilde sökmek kabiliyetini muhafaza etmek için zımpara bandını sık sık değiştirin.
- Ürünü tetik düğmesini kullanarak çalıştırın ve bandın doğru hıza ulaşmasını bekleyin. Daha sonra bandı iş parçasının üzerine doğru indirin. Bant hareketi ürünü ileri doğru sürükleyeceğinden ürünü iki elinizle sıkı bir şekilde tutun.
- Yerine getirilecek iş için doğru boyda ve uygun sertlikte bir bant seçin. Daha fazla malzeme sökmek için daha az taneçikli bantlar kullanın; daha az malzeme sökmek ve daha ince bitirme için daha yüksek sayıda taneçik kullanın. Hasar görürse, talaşla tıkanır veya aşırırsa bandı değiştirin.
- Ürünü malzemenin taneleri boyunca ileri geri zımparalamak ve hareket ettirmek normaldir. Tane boyunca zımparalayarak işi yerine getirebilirsiniz ancak çizik ve hasarlı bir yüzey elde edilir.

⚠ UYARI

Belirli boyalardan, kaplamalardan veya materyallerden kaynaklanan toz solunum sisteminde tahrişe veya alerjik reaksiyona neden olabilir. Meşe, kayın, MDF ve diğer ağaçlar gibi ahşaptan kaynaklanan toz kanserojendir. Asbest içeren materyal yalnızca nitelikli uzman operatörler tarafından işlenmeli ve üzerinde çalışma yapılmalıdır.

- Toz partikülleri birikme tehlikesini azaltmak için toz toplayıcı kullanın veya toz girişini bir elektrikli süpürgeye bağlayın.
- Çalışma alanı içinde ya da yakınında bulunan herkes, uygun koruma sağlayan toz maskesi takmalıdır.
- Ürünü kullanırken yanları kapalı koruyucu gözlükler takın.
- Ürünü ters çevrilmiş çalışma modunda kullanırken zımpara çerçevesi ve çit bağlantı elemanları kullanın.



Bağlantı elemanlarının kullanılması iş parçasının konumunun kontrol edilmesine yardımcı olur ve hareketli bant ve silindirelerle kazara temas etmesini önler.

- Ürün, ters çevrilmiş moda kullanıldığında ürünle birlikte sağlanan aksesuar kelepçeler kullanılarak uygun bir çalışma tezgahına uygun şekilde sabitlenmelidir. Bu kılavuzun sonraki bölümlerinde gösterilen grafik talimatlara bakın.

⚠ UYARI

Bir aletin uzun süre kullanılması nedeniyle yaralanmalar olabilir veya mevcut yaraların durumu kötüleşebilir. Herhangi bir aleti uzun bir süre boyunca kullanırken düzenli olarak ara vermeyi ihmal etmeyin.

BAKIM

⚠ UYARI

Parçaları monte ederken, ayar, temizlik, bakım çalışması yaparken veya ürün kullanılmadığı zaman ürünü asla güç kaynağına bağlamayın. Aleti güç kaynağından çıkartmak, ciddi yaralanmalara yol açabilecek kazara çalıştırmayı önler.

⚠ UYARI

Bakım yaparken yalnızca orijinal yedek parçaları, aksesuarları ve parçaları kullanın. Diğer parçaları kullanmak tehlike yaratabilir ya da hasara neden olabilir.

⚠ UYARI

Asla fren hidroliğinin, benzinin, petrol esaslı ürünlerin, yüzeye işleyen yağların vb. plastik parçalarla temas etmesine izin vermeyin. Bu kimyasal ürünler plastik parçaları zara verebilir; kırabilir ya da bozabilir.

Plastik parçaları temizlerken solventleri kullanmaktan kaçının. Plastiklerin çoğu ticari kullanımı uçucu maddeler karşı hassastır. Lekeleri, tozu, vb. temizlemek için temiz bir bez kullanınız.

Cam elyafı malzemeler, alçı plakaları, dolgu alçısı veya alçı üzerinde kullanılan elektrikli aletler daha hızlı aşınabilir ve erken arızalara neden olabilir, çünkü cam elyafı malzemelerin talaşları ile kalıntılarının rulmanlar, fırçalar, komütatör gibi parçalar üzerinde son derece aşındırıcı etkisi vardır. Ürünün bu tür materyaller üzerinde uzun süre kullanılmasını önermiyoruz.

Her kullanım sonrası bandı ve takılıysa toz toplayıcıyı çıkartın. Toz toplayıcıyı bu kılavuzdaki resimlerde gösterildiği gibi temizleyin. Ürünü bir fırça, kuru bez ve elektrikli süpürge yardımıyla iyice temizleyin.

⚠ UYARI

Ciddi göz yaralanmalarını önlemek amacıyla üründeki tozu üfleme için basınçlı hava kullanmayın.

⚠ UYARI

Besleme kablosu hasar görmüşse imalatçıdan veya yetkili servisten temin edilecek özel bir kablo ya da tertibatla değiştirilmelidir. Yetkili servis merkezini arayın.

Güvenliği ve güvenilirliği arttırmak için tüm onarım çalışmaları yetkili bir servis merkezi tarafından gerçekleştirilmelidir.

Normal işleme koşulları için, cihazın tüm yuvaları yüksek kalite yağlarla ömür boyu yağlanmıştır. Buna göre, fazladan yağlama yapılmasına gerek yoktur.

ÇEVRENİN KORUNMASI



Ham maddeleri çöp olarak atmak yerine geri dönüştürün. Çevreyi korumak için, alet, aksesuarlar ve ambalajlar tasnif edilmelidir.

SEMBOL



Güvenlik Uyarısı

V

Volt

Hz

Hertz

~

Alternatif akım

W

Watt

n_o

Bota hız

min⁻¹

Saniyede devir veya hareket sayısı



CE Uygunluğu



EurAsian Uyumluluk işareti



Ukrayna uygunluk işareti



Sınıf II, çift yalıtımlı



Ürünü çalıştırmadan önce, lütfen aşağıdaki talimatları dikkatlice okuyun.



Koruyucu kulaklık kullanın



Koruyucu gözlük kullanın



Atık elektrikli ürünler evsel atıklarla birlikte atılmamalıdır. Tesis bulunuyorsa lütfen geri dönüşüme verin. Geri dönüşümle ilgili tavsiye için Yerel Makamlarla veya bayi ile irtibat kurun.

EN
FR
DE
ES
IT
NL
PT
DA
SV
FI
NO
RU
PL
CS
HU
RO
LV
LT
ET
HR
SL
SK
BG
UK
TR
EL

KİTAPÇIKTAKİ SEMBOLLER



Not



Güç kaynağına bağlayın.



Güç kaynağından ayırın.



Kilit



Kilidi açma



Hız, minimum



Hız, en

Aşağıdaki işaret sözcükleri ve anlamları, bu ürünle ilişkili risk seviyelerini açıklamaya yöneliktir:

TEHLİKE

Önlenmemesi durumunda ölüm veya ciddi yaralanma ile sonuçlanacak, tehdit edici tehlikeli bir durumu gösterir.

UYARI

Önlenmemesi durumunda ölüm veya ciddi yaralanma ile sonuçlanabilecek potansiyel olarak tehlikeli bir durumu gösterir.

DİKKAT

Önlenmemesi durumunda önemsiz veya orta derece yaralanma ile sonuçlanabilecek potansiyel olarak tehlikeli bir durumu gösterir.

DİKKAT

(Bez výstražnej značky s výkřičníkom) Označuje situáciu, ktorá môže zapríčiniť škody na majetku.



Στον σχεδιασμό του λειαντικού μιάντα έχει δοθεί μέγιστη προτεραιότητα στην ασφάλεια, την απόδοση και την αξιοπιστία.

ΠΡΟΟΡΙΖΟΜΕΝΗ ΧΡΗΣΗ

Το τριβείο μιάντα προορίζεται για χρήση μόνο από ενήλικες που έχουν διαβάσει και κατανοήσει τις οδηγίες και προειδοποιήσεις αυτού του εγχειριδίου και μπορούν να θεωρηθούν υπεύθυνοι για τις πράξεις τους.

Το εργαλείο αυτό έχει σχεδιαστεί για τρίψιμο μετάλλων, ξύλου, πλαστικών ή παρόμοιων υλικών. Μπορεί επίσης να αφαιρέσει μπιογιά, βερνίκι και διάβρωση από τις επιφάνειες. Το προϊόν πρέπει να χρησιμοποιείται μόνο σε χώρους με καλό εξαερισμό.

Το προϊόν είναι σχεδιασμένο μόνο για ξηρή λείανση. Μην χρησιμοποιείτε το προϊόν για υγρή λείανση.

Το ταινιοτριβείο μπορεί να χρησιμοποιηθεί σε φορητή λειτουργία και να κινείται χειροκίνητα από τον χειριστή στην επιφάνεια του τεμαχίου εργασίας που θέλει να τρίψει. Το τεμάχιο εργασίας πρέπει να είναι στερεωμένο σε μια γερή και σταθερή πλατφόρμα.

Το ταινιοτριβείο μπορεί να χρησιμοποιηθεί σε λειτουργία αναστροφής όταν είναι σταθεροποιημένο σε πάγκο εργασίας, με χρήση των εξαρτημάτων που παρέχονται από τον κατασκευαστή. Στη λειτουργία αναστροφής, ο χειριστής οδηγεί το τεμάχιο εργασίας που θέλει να τρίψει προς τον μιάντα τριβής.

Το εργαλείο προορίζεται μόνο για καταναλωτική χρήση.

Μην χρησιμοποιείτε το προϊόν με τρόπο διαφορετικό από αυτόν που αναφέρεται για τη χρήση του. Η χρήση του μηχανοκίνητου εργαλείου για εργασίες διαφορετικές από τις προοριζόμενες μπορεί να προκαλέσει κινδύνους.

⚠ ΠΡΟΕΙΔΟΠΟΙΗΣΗ

Η σκόνη από ορισμένα χρώματα, επιχρίσματα και υλικά μπορεί να προκαλέσει ερεθισμό ή αλλεργικές αντιδράσεις στο αναπνευστικό σύστημα. Η σκόνη από ξύλο, όπως η δρυς, οξιά, MDF και άλλα είναι καρκινογόνος. Υλικά που περιέχουν αμιάντο πρέπει να υποβάλλονται σε επεξεργασία μόνο από εξειδικευμένο έμπειρο προσωπικό.

⚠ ΠΡΟΕΙΔΟΠΟΙΗΣΗ

Διαβάστε προσεκτικά όλες τις προειδοποιήσεις, οδηγίες και προδιαγραφές που παρέχονται με το εργαλείο και ανατρέξτε στις εικόνες. Η μη τήρηση των ακόλουθων οδηγιών μπορεί να επιφέρει ατυχήματα όπως πυρκαγιές, ηλεκτροπληξίες ή και σοβαρό σωματικό τραυματισμό.

Φυλάσσετε όλες τις προειδοποιήσεις και οδηγίες για μελλοντική χρήση.

ΓΕΝΙΚΕΣ ΠΡΟΕΙΔΟΠΟΙΗΣΕΙΣ ΑΣΦΑΛΕΙΑΣ ΓΙΑ ΤΗ ΒΑΣΗ ΕΡΓΑΣΙΑΣ

⚠ ΠΡΟΕΙΔΟΠΟΙΗΣΗ

Διαβάστε όλες τις προειδοποιήσεις ασφαλείας και τις παρεχόμενες οδηγίες της βάσης εργασίας και του ηλεκτρικού εργαλείου που πρόκειται να εγκατασταθεί σε αυτή. Αν δεν τηρηθούν οι προειδοποιήσεις και οδηγίες, υπάρχει κίνδυνος ηλεκτροπληξίας, φωτιάς και / ή σοβαρού τραυματισμού.

- **Φυλάσσετε όλες τις προειδοποιήσεις και οδηγίες για μελλοντική χρήση.**
- Ο όρος «ηλεκτρικό εργαλείο» που χρησιμοποιείται στις παρακάτω συστάσεις ασφαλείας ορίζει τόσο τα ηλεκτρικά εργαλεία με καλώδιο όσο τα ηλεκτρικά εργαλεία μπαταρίας.
- **Πριν από τη διεξαγωγή οποιωνδήποτε ρυθμίσεων ή την αντικατάσταση εξαρτημάτων, αποσυνδέετε το φως από την παροχή ρεύματος και/ή το πακέτο συσσωρευτών από το ηλεκτρικό εργαλείο.** Η τυχαία ενεργοποίηση του ηλεκτρικού εργαλείου αποτελεί πηγή κινδύνου.
- **Συναρμολογήστε ορθά τη βάση εργασίας, προτού εγκαταστήσετε το ηλεκτρικό εργαλείο σε αυτή.** Η ορθή συναρμολόγηση είναι σημαντική για την αποφυγή του κινδύνου κατάρρευσης.
- **Πριν από τη χρήση, ασφαλίστε σωστά το ηλεκτρικό εργαλείο πάνω στη βάση εργασίας.** Η μετατόπιση του ηλεκτρικού εργαλείου στη βάση εργασίας μπορεί να προκαλέσει απώλεια ελέγχου.
- **Τοποθετήστε τη βάση εργασίας σε σταθερή, επίπεδη και ευθυγραμμισμένη επιφάνεια.** Όταν η βάση εργασίας μετατοπίζεται ή δονείται, το ηλεκτρικό εργαλείο ή το αντικείμενο εργασίας δεν μπορούν να διατηρηθούν σταθερά ούτε μπορείτε να τα ελέγξετε με ασφάλεια.
- **Μην παραφορτώνετε τη βάση εργασίας και μην τη χρησιμοποιείτε ως σκάλα ή ικρίωμα.** Εάν παραφορτώσετε τη βάση εργασίας, το βάρος της θα επικεντρωθεί στην επάνω πλευρά του και ενδέχεται να ανατραπεί.

ΠΡΟΕΙΔΟΠΟΙΗΣΕΙΣ ΑΣΦΑΛΕΙΑΣ ΤΑΙΝΙΟΤΡΙΒΕΙΟΥ

- **Κρατήστε το ηλεκτρικό εργαλείο μόνο από τις μονωμένες επιφάνειες λαβής, επειδή η επιφάνεια λείανσης μπορεί να έρθει σε επαφή με το δικό της καλώδιο.** Η κοπή ενός ηλεκτροφόρου καλωδίου μπορεί να ηλεκτροδοτήσει τα μεταλλικά τμήματα του μηχανοκίνητου εργαλείου προκαλώντας ηλεκτροπληξία στον χειριστή.

ΕΠΙΠΡΟΣΘΕΤΕΣ ΠΡΟΕΙΔΟΠΟΙΗΣΕΙΣ ΑΣΦΑΛΕΙΑΣ

- **Αγκιστρώστε το τεμάχιο με μια συσκευή συγκράτησης.** Ελεύθερα τεμάχια εργασίας μπορούν να προκαλέσουν σοβαρό τραυματισμό και ζημιές. Μην κρατάτε με το χέρι το υλικό που λειάνετε.
- **Μην χρησιμοποιείτε μιάντες λείανσης μεγαλύτερους από το απαραίτητο.**





- Φοράτε πάντα προστατευτικά γυαλιά και μάσκα κατά της σκόνης.
- Πρέπει να φοράτε κατάλληλη μάσκα κατά της σκόνης όταν λειανείτε επιφάνειες καλυμμένες με χρώμα με βάση το μολύβδο καθώς και ορισμένα ξύλα και μέταλλα ώστε να μην εισπνέετε τοξικές σκόνες ή αέρια.

ΆΛΛΟΙ ΚΙΝΔΥΝΟΙ

Ακόμη και όταν το προϊόν χρησιμοποιείται σύμφωνα με τις οδηγίες, δεν είναι δυνατή η απόλυτη απαλειφή συγκεκριμένων παραγόντων κινδύνου. Κατά τη χρήση μπορεί να προκύψουν οι ακόλουθοι κίνδυνοι και ο χειριστής πρέπει να δίδει ιδιαίτερη προσοχή προς αποφυγή των εξής:

- Παγίδευση ή επαφή με τον κινούμενο ιμάντα
 - Ειδικά κατά την ανάστροφη λειτουργία, απαιτείται επιπλέον προσοχή ώστε να μην έρθουν σε επαφή τα δάχτυλα και τα χέρια του χειριστή σε επαφή με τον ιμάντα λείανσης και να μην πιστούν από τους κυλινδρούς. Χρησιμοποιήστε το προστατευτικό εξάρτημα όπου είναι δυνατό, ώστε να ελέγχετε καλύτερα το τεμάχιο εργασίας και να μην υπάρχει κίνδυνος παγίδευσης στον κινούμενο κύλινδρο.
- Τραυματισμός που προκαλείται από τη σκόνη
 - Η χρήση του προϊόντος προκαλεί σημαντικές ποσότητες σκόνης και μικρών σωματιδίων. Χρησιμοποιήστε τη συσκευή συλλογής σκόνης ή συνδέστε μία αντλία απόσπασης σκόνης όταν χρησιμοποιείτε το προϊόν. Φοράτε ειδικές μάσκες με φίλτρα κατάλληλα για τα υλικά στα οποία εργάζεστε. Βεβαιωθείτε ότι υπάρχει επαρκής εξαερισμός του χώρου εργασίας. Μην τρώτε, πίνετε ή καπνίζετε στον χώρο εργασίας. Να χρησιμοποιείται μόνο σε υλικά που καθορίζονται στην ενότητα Προβλεπόμενη χρήση. Μην το χρησιμοποιείτε σε υλικά (π.χ. αμίαντος) που αποτελούν κίνδυνο για την υγεία.
- κίνδυνος έκρηξης
 - Η συγκέντρωση λεπτής σκόνης μπορεί να προκαλέσει ανάφλεξη και φωτιά. Διατηρείτε τον χώρο εργασίας καθαρό και χωρίς σκόνη. Τα συστήματα συλλογής σκόνης και σκουπών απώθησης θα πρέπει να καθαρίζονται τακτικά και προσεκτικά. Κατά την τριβή μετάλλου, υπάρχει πιθανότητα δημιουργίας θερμών σπινθήρων.
- ηλεκτροπληξία
 - Κρατήστε τα καλώδια τροφοδοσίας και επέκτασης μακριά από την περιοχή εργασίας του εργαλείου και άλλων αγώνιμων επιφανειών.
- θόρυβος και κραδασμοί
 - Φοράτε προστατευτικά αυτιών όταν χειρίζεστε το προϊόν. Μην χρησιμοποιείτε το προϊόν για μεγάλα χρονικά διαστήματα.

ΜΕΙΩΣΗ ΚΙΝΔΥΝΟΥ

Υπάρχουν αναφορές ότι οι κραδασμοί από εργαλεία χειρός ενδεχομένως να συμβάλλουν στην εκδήλωση της πάθησης Συνδρόμου Raynaud, σε ορισμένα άτομα. Τα συμπτώματα περιλαμβάνουν κνησμό, μούδιασμα και λευκότητα των δακτύλων, που εμφανίζονται συνήθως μετά την έκθεση

σε κρύο. Κληρονομικοί παράγοντες, έκθεση σε κρύο και υγρασία, κάπνισμα και πρακτικές εργασίας θεωρείται ότι συμβάλλουν στην εκδήλωση των συμπτωμάτων. Μπορούν να ληφθούν μέτρα από το χειριστή για την πιθανή μείωση των επιδράσεων κραδασμών:

- Διατηρείτε το σώμα σας ζεστό όταν ο καιρός είναι ψυχρός. Φοράτε γάντια κατά τον χειρισμό του μηχανήματος, για να διατηρείτε ζεστά τα χέρια και τους καρπούς σας. Ο ψυχρός καιρός είναι κύριος παράγοντας που συμβάλλει στην εκδήλωση του συνδρόμου Raynaud.
- Μετά από κάθε περίοδο λειτουργίας, κάνετε ασκήσεις για να αυξάνετε την κυκλοφορία αίματος.
- Κάνετε τακτικά διαλείμματα κατά την εργασία. Περιορίζετε το σύνολο έκθεσης ανά ημέρα.

Αν παρουσιάσετε οποιοδήποτε σύμπτωμα αυτής της πάθησης, διακόψτε αμέσως τη χρήση και συμβουλευτείτε τον γιατρό σας για τα συμπτώματα.

ΓΝΩΡΙΣΤΕ ΤΟ ΠΡΟΪΟΝ ΣΑΣ

Δείτε τη σελίδα 109.

1. Ταχεία κλήση (EBS800V)
2. Εμπρός λαβή, μονωμένη επιφάνεια λαβής
3. Πλήκτρο ρύθμισης εμπρός λαβής
4. Μοχλός ρύθμισης ταινίας τριβής
5. Κουμπί κλειδώματος
6. Κύρια λαβή, μονωμένη επιφάνεια λαβής
7. Κάλυμμα συλλέκτη σκόνης
8. Συλλέκτης σκόνης
9. Σφικτήρας (EBS800V)
10. Διακόπτης
11. Μοχλός απεμπλοκής ταινίας τριβής
12. Πώμα πάγκου τριψίματος (EBS800V)
13. Ταινία λείανσης
14. Πλαίσιο πλήρωσης (EBS800V)
15. Μοχλός ρύθμισης πλαισίου πλήρωσης (EBS800V)

ΛΕΙΤΟΥΡΓΙΑ

- Μη χρησιμοποιείτε το προϊόν χωρίς κατάλληλα τοποθετημένο ιμάντα. Ένας ακατάλληλα περασμένος ιμάντας μπορεί να βγει από το προϊόν προκαλώντας τραυματισμούς ή ζημιά στο τριβείο.
- Ασφαλίστε το τεμάχιο εργασίας με μεγγενη ή σφικτήρα σε κατάλληλο πάγκο εργασίας. Έτσι εμποδίζεται η πιθανότητα εκτίναξης του τεμαχίου εργασίας.
- Χρησιμοποιήστε την παρεχόμενη λαβίδα για να κρατάτε και να ελέγχετε το προϊόν και με τα δύο χέρια.
- Μην πιέζετε υπερβολικά το εργαλείο. Χρησιμοποιείτε το σωστό προϊόν για την εφαρμογή σας. Το σωστό προϊόν ολοκληρώνει την εργασία σας καλύτερα και με περισσότερη ασφάλεια, με την ταχύτητα για την οποία έχει σχεδιαστεί.
- Μην ασκείτε υπερβολική πίεση στο προϊόν. Αφήστε το βάρος του προϊόντος να ασκήσει τη σωστή πίεση και χρησιμοποιήστε τα χέρια σας για να καθοδηγείτε το τριβείο. Η υπερβολική πίεση υπερφορτώνει το προϊόν και φθείρει τον κινητήρα. Η άσκηση μεγαλύτερης πίεσης δεν αφαιρεί περισσότερο υλικό, αλλά μειώνει την αποτελεσματικότητα της τριβής.
- Αλλάζετε τον ιμάντα συχνά για να διατηρείτε





τη δυνατότητα του προϊόντος να απομακρύνει αποτελεσματικά τα υλικά.

- Ξεκινήστε το προϊόν με τον διακόπτη έναρξης και αφήστε τον ιμάντα να φτάσει στη σωστή ταχύτητα. Στη συνέχεια χαμηλώστε τον ιμάντα προς το τεμάχιο εργασίας. Κρατάτε το προϊόν σταθερά και με τα δύο χέρια, αφού η κίνηση του ιμάντα το σπρώχνει προς τα εμπρός.
- Διαλέξτε ιμάντα με το σωστό μέγεθος και την κατάλληλη σκληρότητα για την εργασία σας. Χρησιμοποιήστε ιμάντες με χαμηλότερο αριθμό λειαντικού μέσου για να αφαιρέσετε περισσότερο υλικό και με υψηλότερο αριθμό λειαντικού μέσου για να αφαιρέσετε λιγότερο υλικό και για λεπτότερο φινιρίσμα. Αντικαταστήστε τον ιμάντα όταν έχει φθορές, έχει γεμίσει με υπολείμματα ή έχει χαλάσει.
- Είναι φυσιολογικό να τρίβετε και να μετακινείτε το προϊόν πίσω και εμπρός, κατά μήκος της φοράς του υλικού. Τρίβοντας κατά μήκος της φοράς θα έχετε αποτελέσματα, αλλά η επιφάνεια θα γρατσουνιστεί και θα καταστραφεί.

ΠΡΟΕΙΔΟΠΟΙΗΣΗ

Η σκόνη από ορισμένα χρώματα, επιχρίσματα και υλικά μπορεί να προκαλέσει ερεθισμό ή αλλεργικές αντιδράσεις στο αναπνευστικό σύστημα. Η σκόνη από ξύλο, όπως η δρυς, οξιά, MDF και άλλα είναι καρκινογόνος. Υλικά που περιέχουν αμίαντο πρέπει να υποβάλλονται σε επεξεργασία μόνο από εξειδικευμένο έμπειρο προσωπικό.

- Χρησιμοποιήστε τον συλλέκτη σκόνης ή συνδέστε τη θύρα σκόνης σε συσκευή σκούπας για να μειώσετε τους κινδύνους που σχετίζονται με τα μόρια σκόνης.
- Όλα τα άτομα στον χώρο εργασίας ή γύρω από αυτόν, θα πρέπει να φορούν μάσκες προστασίας από τη σκόνη που προσφέρουν κατάλληλη προστασία.
- Φοράτε πάντα προστατευτικά γυαλιά ή γυαλιά ασφαλείας με πλαϊνές ασπίδες κατά τον χειρισμό προϊόντων.
- Χρησιμοποιήστε το προστατευτικό τριβής και τα εξαρτήματα προστασίας όταν χρησιμοποιείτε το προϊόν στην λειτουργία αναστροφής. Η χρήση των εξαρτημάτων σας βοηθάει να ελέγχετε τη θέση του τεμαχίου εργασίας και εμποδίζει την τυχαία επαφή με τον κινούμενο ιμάντα και τους κυλίνδρους.
- Σε λειτουργία αναστροφής, το προϊόν πρέπει να είναι καλά ασφαλισμένο σε κατάλληλο πάγκο εργασίας με τη χρήση των σφιγκτήρων που παρέχονται. Βλ. τις εικόνες παρακάτω στο εγχειρίδιο για σχετικές οδηγίες.

ΠΡΟΕΙΔΟΠΟΙΗΣΗ

Υπάρχει κίνδυνος πρόκλησης ή επιδείνωσης τραυματισμού, από την παρατεταμένη χρήση εργαλείου. Όταν χρησιμοποιείτε το εργαλείο για μεγάλες περιόδους, κάνετε τακτικά διαλείμματα.

ΣΥΝΤΗΡΗΣΗ

ΠΡΟΕΙΔΟΠΟΙΗΣΗ

Το προϊόν δεν πρέπει ποτέ να συνδέεται σε παροχή ισχύος όταν συναρμολογείτε εξαρτήματα, όταν διεξάγετε ρυθμίσεις, καθαρισμό, συντήρηση ή όταν το προϊόν δε χρησιμοποιείται. Αποσυνδέοντας τη συσκευή από την παροχή ρεύματος προλαμβάνει την ακούσια ενεργοποίηση της η οποία μπορεί να επιφέρει σοβαρό τραυματισμό.

ΠΡΟΕΙΔΟΠΟΙΗΣΗ

Χρησιμοποιείτε μόνο αυθεντικά ανταλλακτικά, εξαρτήματα και προσαρτήματα στις εργασίες επισκευής. Η χρήση οποιουδήποτε άλλου ανταλλακτικού μπορεί να παρουσιάσει κίνδυνο ή να προκαλέσει ζημιά στο εργαλείο σας.

ΠΡΟΕΙΔΟΠΟΙΗΣΗ

Σε καμία περίπτωση μην επιτρέπετε τα υγρά φρένων, η βενζίνη, προϊόντα με βάση το πετρέλαιο, έλαια που διεισδύουν κλπ. να έρχονται σε επαφή με πλαστικά τμήματα. Αυτά τα χημικά προϊόντα περιέχουν ουσίες οι οποίες μπορούν να προξενήσουν ζημιά, να μειώσουν ή να καταστρέψουν το πλαστικό.

Αποφύγετε τη χρήση διαλυτών κατά τον καθαρισμό πλαστικών εξαρτημάτων. Τα περισσότερα πλαστικά μπορούν να υποστούν ζημιά από τη χρήση ορισμένων διαλυτών που διατίθενται στο εμπόριο. Χρησιμοποιήστε ένα καθαρό πανάκι για να καθαρίσετε τις ακαθαρσίες, τη σκόνη, κλπ.

Τα ηλεκτρικά εργαλεία που χρησιμοποιούνται σε εξοπλισμούς από φάιμπεργκλας, σε γυψοσανίδες, σε πανό επένδυσης ή σε γύψο, έχουν την τάση να φθείρονται γρηγορότερα και να παρουσιάζουν πρόωρες βλάβες, επειδή τα ρινίσματα και το πριονίδι που προέρχονται από τα υλικά αυτά είναι πολύ λειαντικά για έδρανα, βούρτσες, διακόπτες κλπ. Δεν προτείνουμε τη χρήση του προϊόντος για παρατεταμένο χρονικό διάστημα σε αυτούς τους τύπους υλικών.

Μετά από κάθε χρήση αφαιρείτε τον ιμάντα και τον συλλέκτη σκόνης (αν τοποθετήθηκε). Καθαρίστε τον συλλέκτη σκόνης όπως φαίνεται στις εικόνες του εγχειριδίου. Καθαρίστε το προϊόν καλά με βούρτσα, στεγνό πανί και ηλεκτρική σκούπα.

ΠΡΟΕΙΔΟΠΟΙΗΣΗ

Μην χρησιμοποιείτε πεπιεσμένο αέρα για να απομακρύνετε τη σκόνη από το προϊόν, καθώς υπάρχει κίνδυνος τραυματισμού στα μάτια.



⚠ ΠΡΟΕΙΔΟΠΟΙΗΣΗ

Αν το καλώδιο ρεύματος έχει φθαρεί, πρέπει να αντικατασταθεί με ειδικό καλώδιο ή διάταξη που παρέχονται από τον κατασκευαστή ή τον τεχνικό σέρβις. Επικοινωνήστε με το εξουσιοδοτημένο κέντρο σέρβις.

Για μεγαλύτερη ασφάλεια και αξιοπιστία, όλες οι επισκευές πρέπει να διεξάγονται από ένα εξουσιοδοτημένο κέντρο σέρβις.

Όλα τα έδρανα στο εργαλείο έχουν λιπανθεί με επαρκή ποσότητα λιπαντικού υψηλού τύπου που αρκεί για τη διάρκεια ζωής της μονάδας σε συνθήκες κανονικής χρήσης. Συνεπώς, δε χρειάζεται καμία επιπλέον λίπανση.

ΠΡΟΣΤΑΣΙΑ ΤΟΥ ΠΕΡΙΒΑΛΛΟΝΤΟΣ



Ανακυκλώνετε τις πρώτες ύλες αντί να τις πετάτε ως απορρίμματα. Για την προστασία του περιβάλλοντος, πρέπει να γίνεται η διαλογή του εργαλείου, των εξαρτημάτων και των συσκευασιών του.

ΠΣΥΜΒΟΛΟ



Προειδοποίηση ασφάλειας

V

Βλτ

Hz

ερτς

~

Εναλλασσμεν ρεύμα

W

Βατ

n₀

Ταύτητα στ κεν

min⁻¹

Αριθμ στρών ή κινήσεων ανά λεπτ



Συμμόρφωση CE



EurAsian σήμα πιστότητας



Ουκρανικό σήμα συμμόρφωσης

001



Κατηγορία II, διπλή μόνωση



Παρακαλούμε διαβάστε προσεκτικά τις οδηγίες πριν χρησιμοποιήσετε το προϊόν.



Φοράτε προστατευτικά αυτιών



Φοράτε προστατευτικά ματιών



Τα ηλεκτρικά προϊόντα προς απόρριψη δεν θα πρέπει να απορρίπτονται μαζί με τα οικιακά απόβλητα. Παρακαλούμε ανακυκλώστε όπου υπάρχουν οι αντίστοιχες εγκαταστάσεις. Μιλήστε με τις τοπικές αρχές ή τον πωλητή για να σας ενημερώσουν σχετικά με τα προγράμματα ανακύκλωσης.

ΣΥΜΒΟΛΑ ΣΤΟ ΕΓΧΕΙΡΙΔΙΟ



ΣΗΜΕΙΩΣΗ



Συνδέστε στην παροχή ηλεκτρικού ρεύματος.



Αποσυνδέστε από την παροχή ρεύματος.



Κλειδωμα



Ξεκλειδωμα



Ταχυτητα, ελάχιστη



Ταχυτητα, ανώτατος

Οι ακόλουθες προειδοποιητικές λέξεις και έννοιες προορίζονται να εξηγήσουν τα επίπεδα κινδύνου που συνδέονται με αυτό το προϊόν:

⚠ ΚΙΝΔΥΝΟΣ

Υποδεικνύει μια επικείμενη επικίνδυνη κατάσταση, η οποία, αν δεν αποφευχθεί, θα οδηγήσει σε θάνατο ή σοβαρό τραυματισμό.

⚠ ΠΡΟΕΙΔΟΠΟΙΗΣΗ

Υποδεικνύει μια δυνητικά επικίνδυνη κατάσταση, η οποία, αν δεν αποφευχθεί, θα οδηγήσει σε θάνατο ή σοβαρό τραυματισμό.

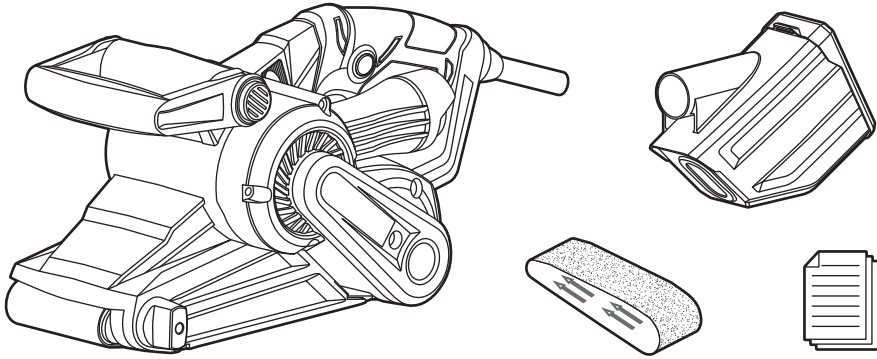
⚠ ΠΡΟΣΟΧΗ

Υποδεικνύει μια δυνητικά επικίνδυνη κατάσταση, η οποία, αν δεν αποφευχθεί, ενδέχεται να οδηγήσει σε ελαφρύ ή μέτριο τραυματισμό.

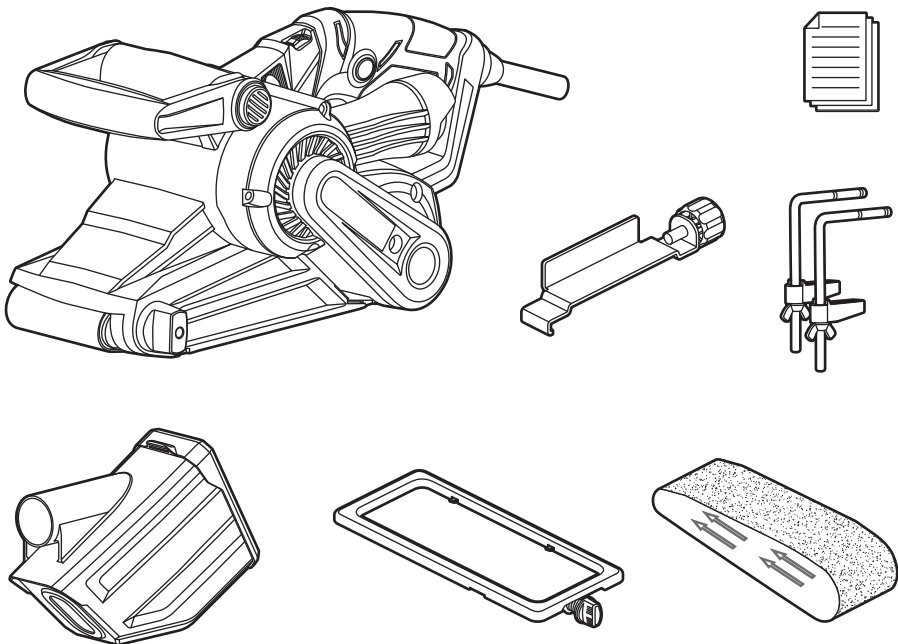
ΠΡΟΣΟΧΗ

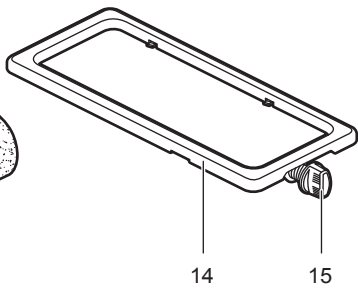
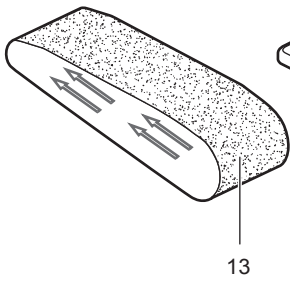
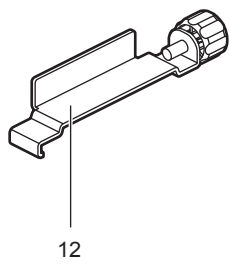
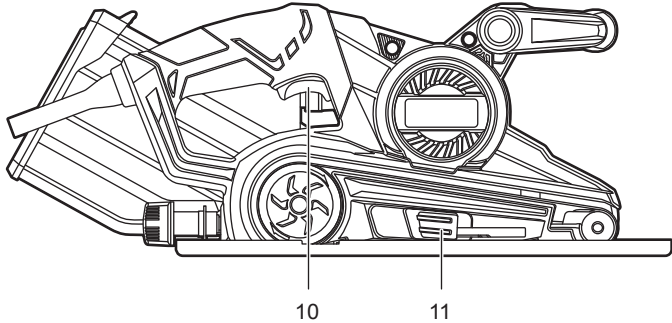
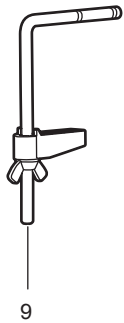
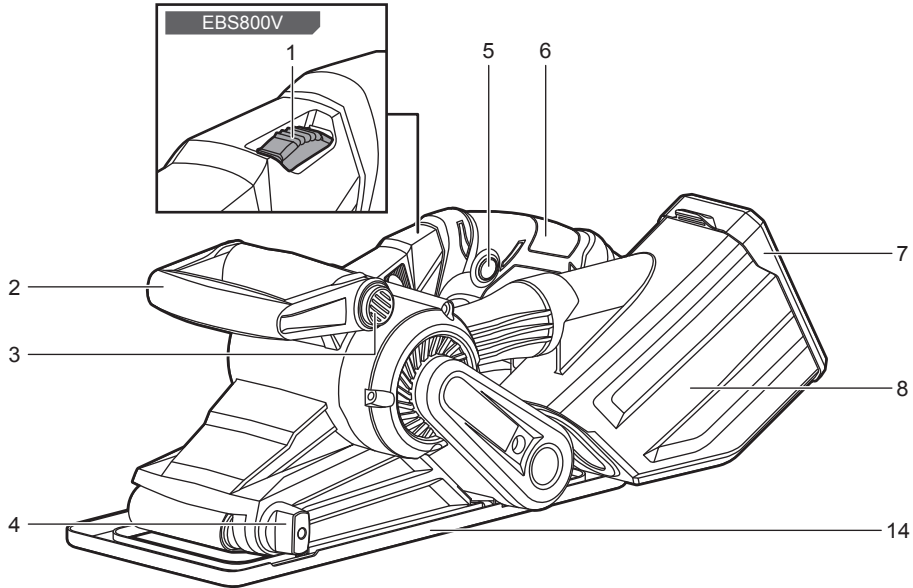
(Без знака за опасност) Указава ситуација, която може да доведе до имуществени повреди.

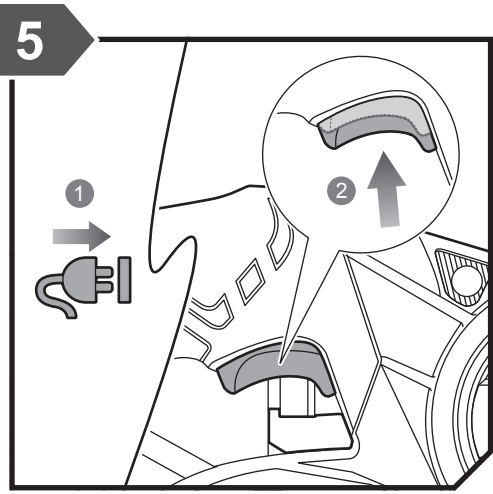
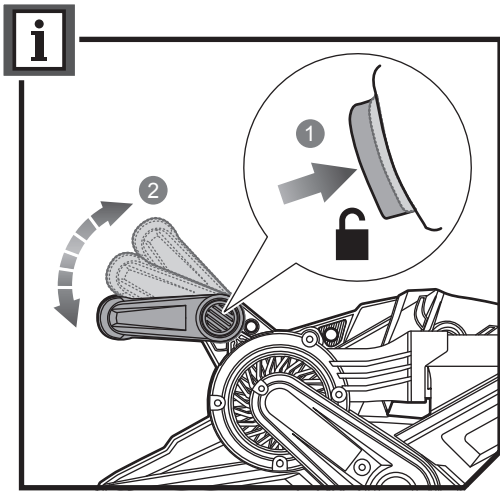
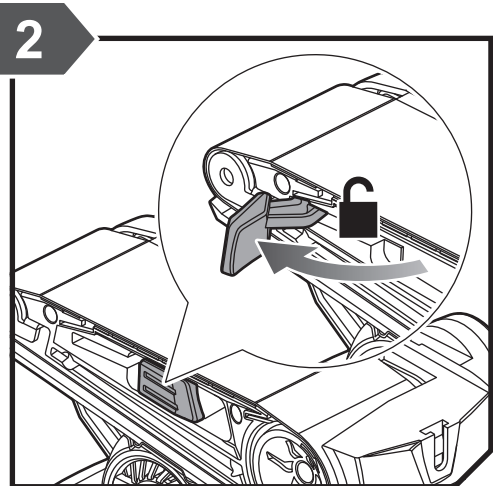
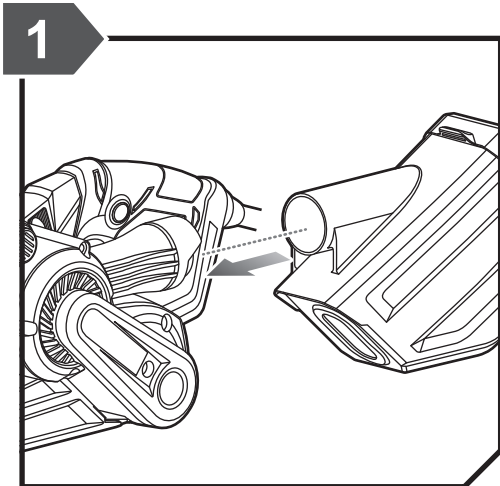
EBS800

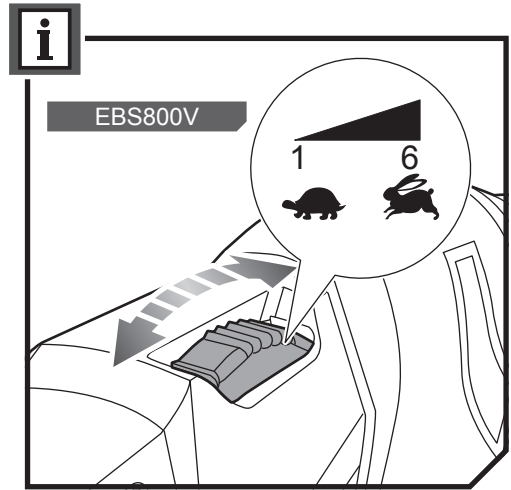
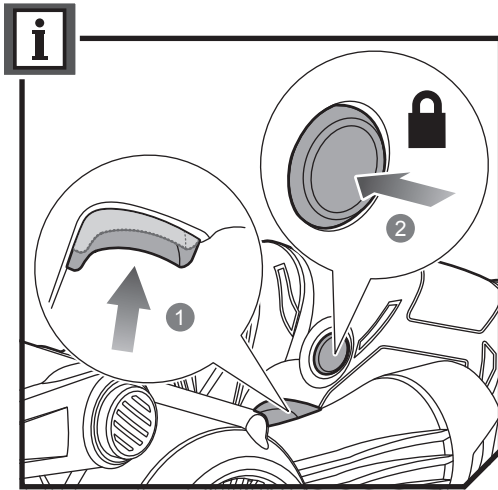
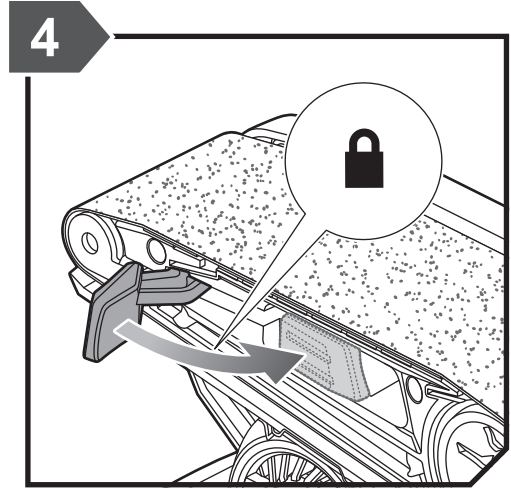
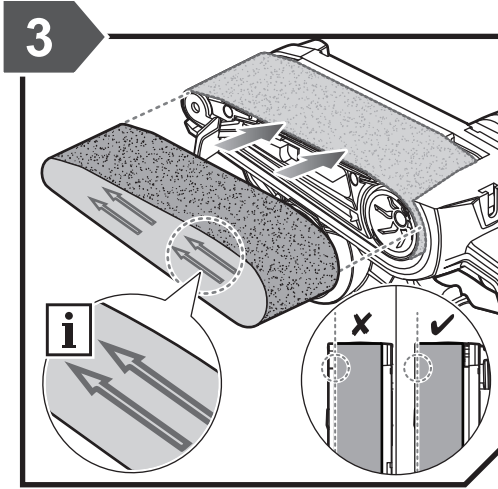


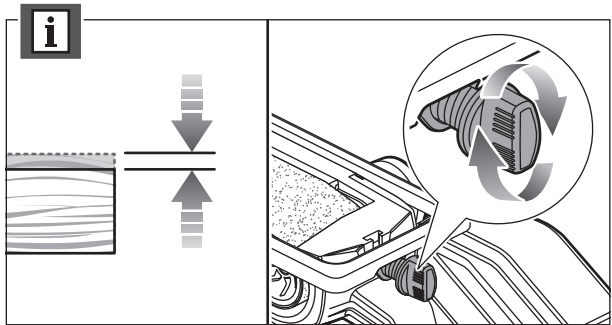
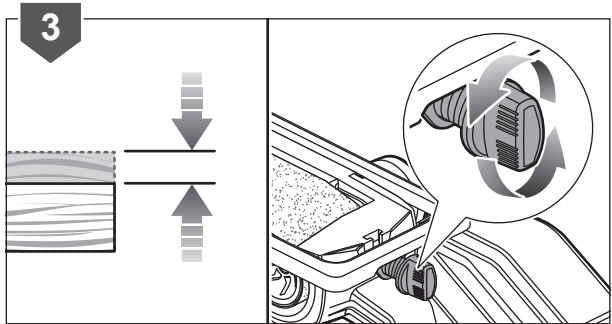
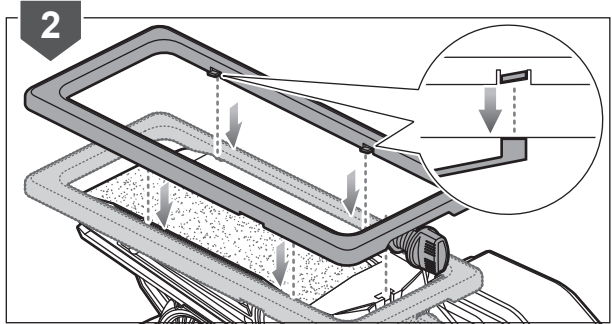
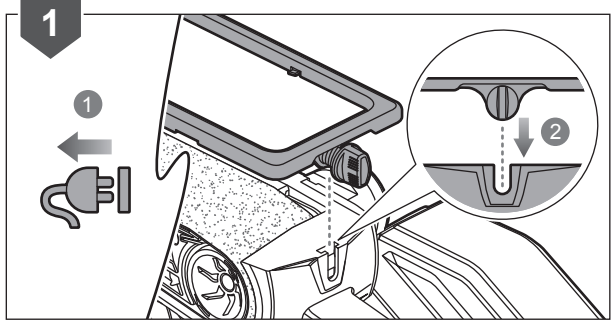
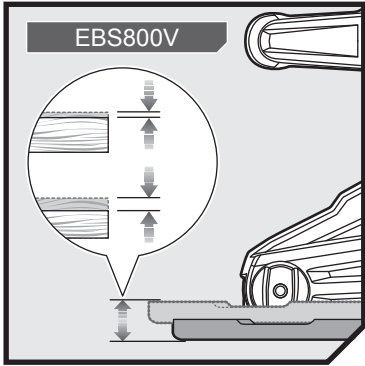
EBS800V

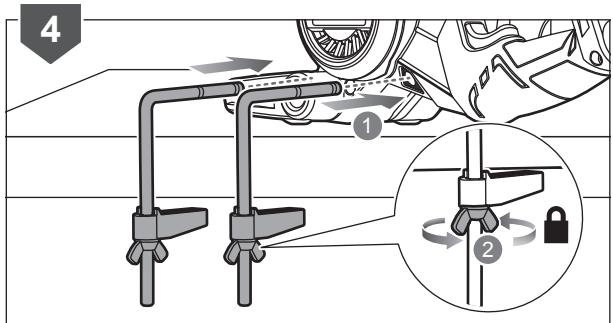
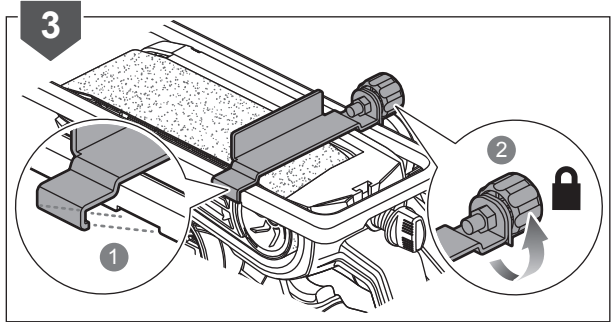
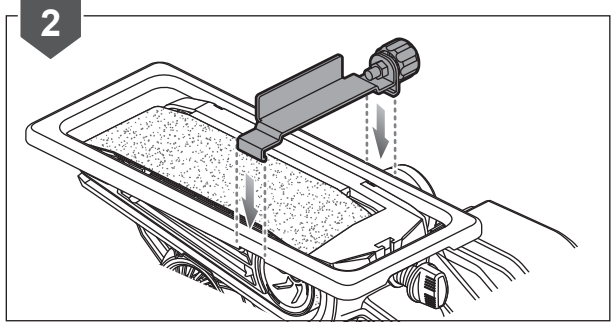
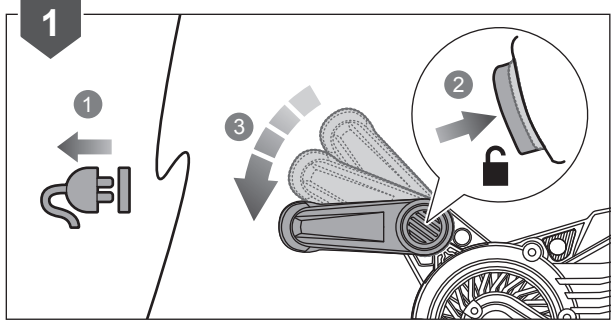
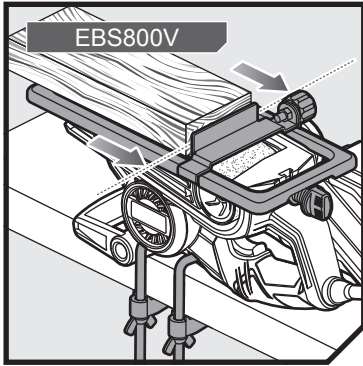


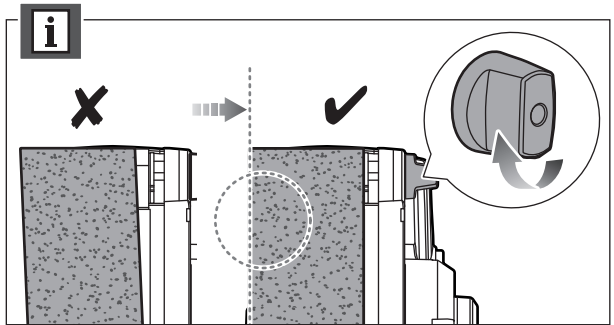
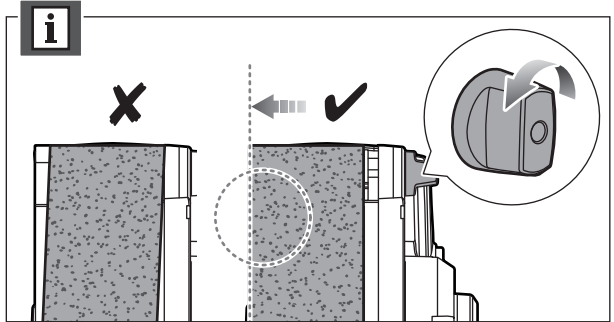
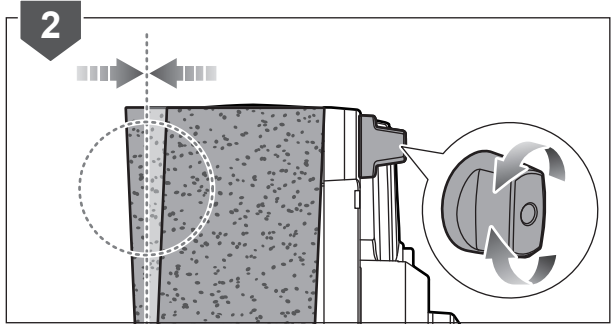
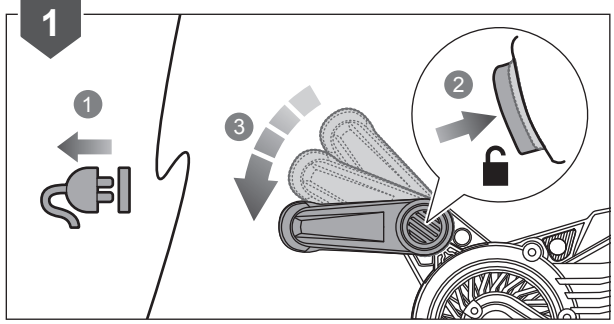
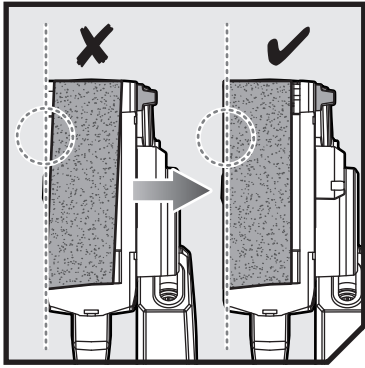


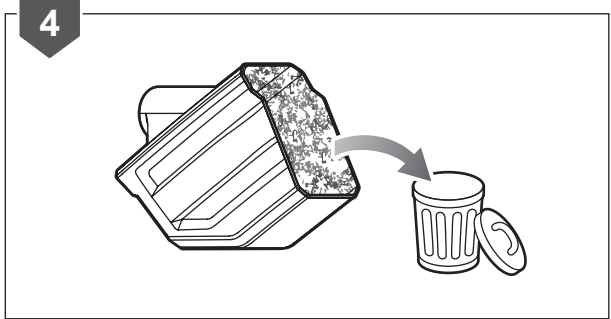
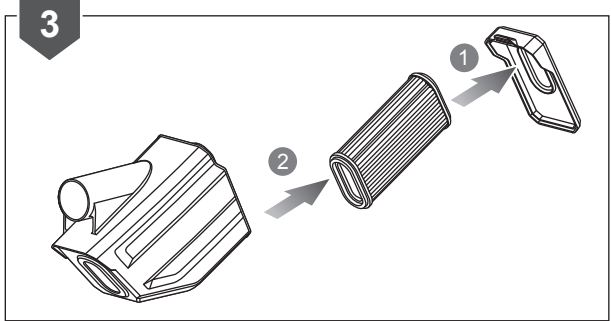
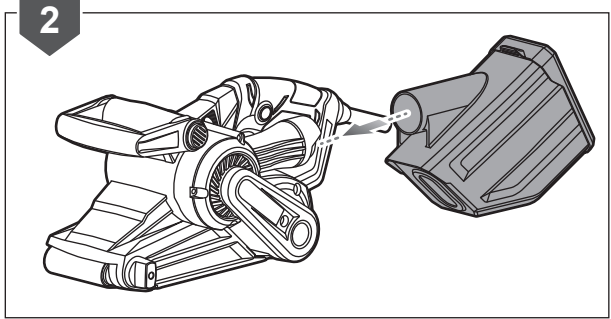
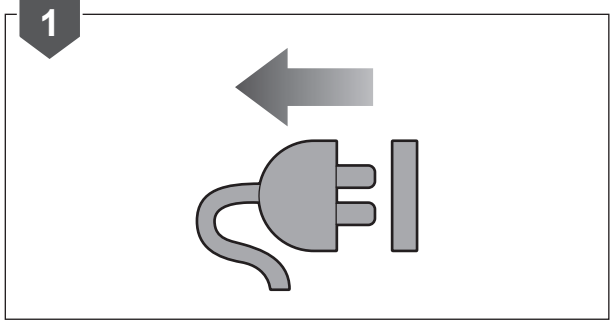
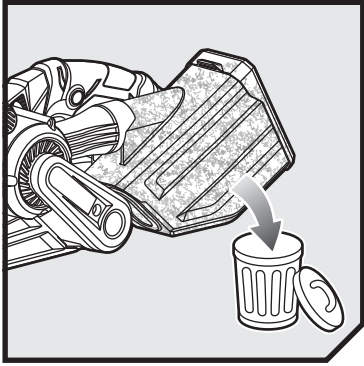












English	Français	Deutsch	Español	Italiano	Nederlands	Português
Product specifications	Caractéristiques de l'appareil	Produkt-Spezifikationen	Especificaciones del producto	Specifiche prodotto	Productspecificaties	Especificações do produto
Belt sander	Ponceuse à Bande	Bandschleifer	Lijadora de correa	Levigatrice a nastro	Bandschuurmachine	Lixadora de cinto
Model	Modèle	Modell	Modelo	Modello	Model	Modelo
Rating	Puissance	Leistung	Clasificación	Rating	Waarde	Classificação
Voltage	Tension	Spannung	Tensión	Voltaggio	Spanning	Voltagem
No-load speed	Vitesse à vide	Leerlaufdrehzahl	Velocidad sin carga	Velocità a vuoto	Toerental bij nullast	Velocidade em vazio
Sanding area size	Taille de la surface de ponçage	Größe Schleifbereich	Tamaño del área de lijado	Dimensioni area di levigatura	Schuurvlak	Tamanho da área de lixagem
Sanding belt size	Dimensions de la bande abrasive	Größe Schleifband	Tamaño de la banda lijadora	Dimensioni nastro abrasivo	Schuurbreedte	Tamanho da banda lixadora
Weight According to EPTA-Procedure 01/2014	Poids Selon la procédure EPTA 01/2014	Gewicht Gemäß EPTA-Verfahren 01/2014	Peso Según el procedimiento EPTA 01/2014	Peso Secondo quanto indicato dalla EPTA-Procedure 01/2014	Gewicht Overeenkomstig de EPTA-procedure 01/2014	Peso De acordo com o Procedimento EPTA 01/2014
Measured sound values determined according to EN 62841:	Valeurs du son mesuré déterminées selon EN 62841:	Gemäß EN 62841: gemessene Schallwerte	Valores medidos del sonido en función de la norma EN 62841:	Valori del suono misurati determinati secondo lo standard EN 62841:	Gemeten geluidswaarden bepaald in overeenstemming met EN 62841:	Valores medidos do som em função da norma EN 62841:
A-weighted sound pressure level	Niveau de pression sonore pondéré-A	A-bewerteter Schalldruckpegel	Nivel de presión acústica ponderada en A	Livello di pressione sonora pesato A	A-gewogen geluidsdrukniveau	Nível de pressão sonora ponderada A
Uncertainty K	Incertitude K	Unsicherheit K	Incertidumbre K	Incertezza K	Onzekerheid K	Incerteza K
A-weighted sound power level	Niveau de puissance sonore pondéré-A	A-bewerteter Schalleistungspegel	Nivel de potencia acústica ponderada en A	Livello di potenza sonora pesato A	A-gewogen geluidsniveau	Nível de potência sonora ponderada A
Uncertainty K	Incertitude K	Unsicherheit K	Incertidumbre K	Incertezza K	Onzekerheid K	Incerteza K
Wear ear protectors.	Portez une protection acoustique.	Tragen Sie Gehörschutz.	Utilice protección auditiva!	Indossare protezioni acustiche adeguate.	Draag oorbeschermers.	Sempre use a protecção dos ouvidos.
The vibration total values (triaxial vector sum) determined according to EN 62841:	La valeur totale des vibrations (somme vectorielle triaxiale) déterminée selon EN 62841:	Die Vibrationsgesamtwerte (triaxiale Vektorsumme) ermittelt nach EN 62841:	Los valores de vibración total (suma de vectores triax.), determinado según la norma EN 62841:	I valori totali delle vibrazioni (somma di vettori in tre direzioni) sono misurati conformemente alla norma EN 62841:	De totale trillingswaarden (triaxiale vectorsom) vastgesteld in overeenstemming met EN 62841:	Os valores totais de vibração (soma do vector triax) são determinados em conformidade com a EN 62841:
Vibration emission value	Valeur d'émission de vibrations	Vibrationsemissionswert erfasst	Valor de emisión de vibraciones	Valore delle emissioni vibrazioni	Trillingsemissiewaarde	Valor de emissão de vibrações
Uncertainty K	Incertitude K	Unsicherheit K	Incertidumbre K	Incertezza K	Onzekerheid K	Incerteza K

Dansk	Svenska	Suomi	Norsk	Русский	Polski	
Produktspecifikationer	Produktspecifikationer	Tuotteen tekniset tiedot	Produktspesifikasjoner	Характеристики изделия	Parametry techniczne	
Båndsliber	Bandslip	Nauhahiomakone	Båndsliper	Ленточная шлифовальная машина	Szlifyktra taśmowa	
Model	Modell	Malli	Modell	Модель	Model	EBS800 / EBS800V
Normering	Rating	Luokitus	Belastning	Мощность	Parametry znamionowe	800 W
Spænding	Spänning	Jännite	Spenning	Напряжение	Napięcie	220 V - 240 V \sphericalangle 50/60 Hz
Torgangshastighed	Torgångshastighet	Tyhjäkäyntinopeus	Hastighet ubelastet	Скорость на холостом ходу	Prędkość bez obciążenia	EBS800: 330 ±10% m/min EBS800V: 150 ±15% m/min - 330 ±10% m/min
Størrelse af slibeområdet	Storlek på slipområdet	Hionta-alueen koko	Størrelsen på slipeområdet	Размер зоны шлифования	Obszar szlifowania	76 x 150 mm
Slibebåndsstørrelse	Slibbandets storlek	Hiomanauhan koko	Størrelsen på slipebeltet	Размер абразивной ленты	Rozmiar taśmy ścierniej	76 x 533 mm
Vægt I henhold til EPTA-procedure 01/2014	Vikt Enligt EPTA 01/2014	Paino EPTA-menetelmän 01/2014 mukaan	Vekt I henhold til EPTA-prosedyre 01/2014	Вес Соответствует требованиям EPTA-Procedure 01/2014	Waga Zgodnie z procedurą EPTA 01/2014	EBS800: 3,0 kg EBS800V: 3,5 kg
Målte lydverdier bestemt iht. EN 62841:	Uppmätta ljudvärden enligt EN 62841:	Mitattut arvot määritetty EN 62841: standardin mukaan:	Målte lydverdier bestemt iht. EN 62841:	Измеренные значения параметров звука определены в соответствии с EN 62841:	Zmierzone wartości akustyczne zgodnie z normą EN 62841:	
A-vægtet lydtryksniveau	A-vägd ljudtrycksnivå	A-painotettu äänenpainetaso	A-vektet lydtryknivå	Уровень A-взвешенного звукового давления	A-ważony poziom ciśnienia hałasu	$L_{pA} = 91,4$ dB(A)
Usikkerhed K	Osäkerhet K	Epätarkkuus K	Usikkerhet K	Разброс K	Niepewność pomiaru K	3 dB (A)
A-vægtet lydeffektniveau	A-vägd lydeffektsnivå	A-painotettu äänenteho	A-vektet lydeffektnivå	Уровень A-взвешенной звуковой мощности	A-ważony poziom natężenia hałasu	$L_{wA} = 102,0$ dB(A)
Usikkerhed K	Osäkerhet K	Epätarkkuus K	Usikkerhet K	Разброс K	Niepewność pomiaru K	3 dB (A)
Bær høreværn.	Bär hörselskydd.	Käytä korvasuojia.	Bruk hørselsvern.	Носить защитные наушники.	Stosować środki ochrony słuchu!	
Totale vibrationsverdier (triax vector sum) afgøres ifølge EN 62841:	Det totala vibrationsvärdet (treaxelvektorsumma) är framtaget enligt EN 62841:	Tärinän kokonaisarvot (kolmiakselinen vektorisumma) määritettyä standardin EN 62841 mukaisesti:	De totale vibrasjonsverdiene (triax vektor-sum) er fastsatt i henhold til EN 62841:	суммарное значение вибрации (векторная сумма по трем координатам) определено в соответствии со стандартом EN 62841:	Wartości sumaryczne drgań (suma wektorowa przyspieszeń mierzona czujnikami typu triax) określone zgodnie z normą EN 62841:	
Vibrationsemissionsværdi	Vibrationsvärde	Tärinäarvo	Verdier for vibrasjonsutslipp	Значение вибрации	Poziom drgań	$a_n \leq 2,5$ m/s ²
Usikkerhed K	Osäkerhet K	Epätarkkuus K	Usikkerhet K	Разброс K	Niepewność pomiaru K	1,5 m/s ²



Čeština	Magyar	Română	Latviski	Lietuviškai	Eesti	Hrvatski
Technické údaje produktu	Termék műszaki adatai	Specificațiile produsului	Produkta specifikācijas	Gaminio techninės savybės	Toote tehnilised andmed	Specifikacije proizvoda
Pásová bruska	Szalagcsiszoló	Șlefuitor cu bandă	Plākšņu slīpmašīna	Juostinės šlifavimo staklės	Lintlihvija	Tračna brusilica
Model	Típus	Model	Modelis	Modelis	Mudeli tähis	Model
Jmenovitý výkon	Besorolás	Valoare nominală	Jauda	Galia:	Nimiandmed	Omjer
Elektrické napětí	Feszültség	Tensiune	Spriegums	Įtampa	Pinge	Napon
Otáčky naprázdno	Üresjárati fordulatszám	Viteză în gol	Apgrīezieni bez slodzes	Greitis be apkrovimo	Kiirus ilma koormuseta	Brzina bez opterećenja
Rozměr broušené oblasti	Csiszolási terület mérete	Mărimea zonei de șlefuit	Slīpēšanas zonas lielums	Šlifavimo ploto dydis	Lihvimisala suurus	Veličina područja brušenja
Rozměr brusného pásu	Csiszolószalag mérete	Mărimea benzii de șlefuire	Slīpēšanas jostas lielums	Šlifavimo juostos dydis	Lihvindi suurus	Veličina brusne trake
Hmotnost Dle protokolu EPTA 01/2014	Tömeg A 01/2014 EPTA-eljárás szerint	Greutate în conformitate cu Procedura EPTA din 01/2014	Svars Saskaņā ar EPTA procedūru 01/2014	Svoris Pagal Europos elektrinių įrankių asociacijos (EPTA) nustatytą tvarką 01/2014	Mass Vastavalt EPTA-protseduurile 01/2014	Težina Prema EPTA-postupku 01/2014
Naměřené hodnoty hluku zjištěné dle EN 62841:	A hang értékek meghatározása az EN 62841: szerint történt:	Valori de sunet măsurate determinate în conformitate cu EN 62841:	Izmērītās skaņas vērtības ir noteiktas saskaņā ar EN 62841:	Išmatuotos garso vertės nustatytos pagal EN 62841:	Mõõteväärtused on kindlaks määratud vastavalt standardile EN 62841:	Mjerena vrijednost zvuka određena je prema EN 62841:
Hladina akustického tlaku vážená funkcí A	A-súlyozott hangnyomásszint	Nivel de presiune acustică ponderată A	A-līmeņa skaņas spiediena līmenis	A svertinis garso slėgio lygis	A-kaalutud helirõhu tase	Ponderirana razina tlaka zvuka
Nejistota K	Bizonytalanság K	Incertitudine K	Nenoteiktība K	K nepastovumas	Määramatus K	Neodređenost K
Hladina akustického výkonu vážená funkcí A	A-súlyozott hangteljesítményszint	Nivel de putere acustică ponderată A	A-līmeņa skaņas jaudas līmenis	A svertinis garso galios lygis	A-kaalutud helivõimsuse tase	Ponderirana razina zvučne snage
Nejistota K	Bizonytalanság K	Incertitudine K	Nenoteiktība K	K nepastovumas	Määramatus K	Neodređenost K
Použivejte chrániče sluchu.	Viseljen hallásvédőt.	Purtatji aparatoare de urechi.	Lietojiet dzirdes aizsargus.	Naudokite ausų apsaugos priemonės.	Kasutage kuulmiskaitsevahendeid.	Nosite štitičke za uši.
Celkové hodnoty vibrací (třísosý vektorový součet) určené v souladu s EN 62841:	Vibráció teljes értékei (háromtengelyű vektorösszeg), az EN 62841 szerint meghatározva:	Valorile totale ale vibrațiilor (suma vectorială a trei direcții) au fost determinate conform EN 62841:	Vibrāciju kopējās vērtības (trīsasu vektoru summa) tiek noteiktas atbilstoši EN 62841:	Bendros vibracijos vertės (trikampio vektorių suma) nustatomos pagal EN 62841:	Vibratsiooni koguväärtused (kolme suuna vektorsumma) on vastavalt standardile EN 62841 määratud järgmiselt:	Ponderirana energetska vrijednost Ukupne vrijednosti vibracija (troosni vektorski zbir) određuju se u skladu s EN 62841:
Úroveň emisí vibrací	Vibráció-kibocsátás értéke	Valoarea emisiilor de vibrații	Vibrāciju emisijas vērtība	Vibrācijas emisijas vērtē	Vibratsiooniemisiooni väärtus	Vrijednost emisija vibracije
Nejistota K	Bizonytalanság K	Incertitudine K	Kļūdas vērtība K	K nepastovumas	Mõõtemääramatus K	neodređenost K





Slovensko	Slovenčina	България	українська мова	Türkçe	Ελληνικά	
Specifikacije izdelka	Špecifikácie produktu	Технически характеристики	Технічні характеристики продукту	Ürün Özellikleri	Προδιαγραφές Προϊόντος	
Tračni brusilnik	Leštička	Лентова шлифовъчна машина	стрічко-шлифувальної машини	Bantlı zımpara makinesi	Ταινιοτριβείο	
Model	Model	Модел	Модель	Model	Μοντέλο	EBS800 / EBS800V
Ocenjene vrednosti	Menovité hodnoty	Мощност	Рейтинг	Güç	Βαθμονόμηση	800 W
Napetost	Napätie	Напряжение	Напруга	Gerilim	Τάση	220 V - 240 V ~ 50/60 Hz
Hitrost brez obremenitve	Rýchlost bez zataženia	Скорост в ненатовъчен режим	Швидкість без навантаження	Bota hız	Ταύτητα στ κεν	EBS800: 330 ±10% m/min EBS800V: 150 ±15% m/min - 330 ±10% m/min
Velikost območja brušenja	Rozmer oblasti brušenja	Размер на зоната за шлифване	Шлифовальні розмір області	Zımparalama alanı büyüklüğü	Μέγεθος επιφάνειας λείανσης	76 x 150 mm
Velikost brusilnega traku	Rozmer brusného pásu	Размер на шлифовъчната лента	Шлифовальні ремінь розмір	Zımparalama şeridi büyüklüğü	Μέγεθος μιάнта λείανσης	76 x 533 mm
Teža Skladno s postopkom EPTA 01/2014	Hmotnosť Podľa EPTA-Procedure 01/2014	Тегло (Съгласно процедура 01/2014 на EPTA)	Вага відповідно до процедури EPTA 01/2014	Ağırlık EPTA-Prosedürü 01/2014'e göre	Βάρος Σύμφωνα με την Διαδικασία EPTA 01/2014	EBS800: 3,0 kg EBS800V: 3,5 kg
Izmerjene zvočne vrednosti določene v skladu s standardom EN 62841:	Namerané hodnoty určené podľa EN 62841:	Измерените стойности на звука са определени в съответствие с EN 62841:	Вимірні значення шуму визначаються відповідно до EN 62841:	EN 62841: e göre hesaplanmış ses değerleri:	Μετρημένες τιμές ήχου σύμφωνα με το EN 62841:	
A-izmerjena raven zvočnega tlaka	Vážená A hladina akustického tlaku	Ниво на шумово налягане с равнище А	А-зважений рівень звукового тиску	A ağırlıklı ses basınç seviyesi	Α-σταθμισμένο επίπεδο πίεσης ήχου	$L_{pA} = 91,4 \text{ dB(A)}$
Negotovost K	Neurčitost K	Променливост (К)	Невизначеність К	Belirsizlik K	Αβεβαιότητα Κ	3 dB (A)
A-izmerjena raven zvočne moči	Vážená A hladina akustického výkonu	Ниво на сила на шума с равнище А	А-зважений рівень звукової потужності	A ağırlıklı ses gücü seviyesi	Α-σταθμισμένο επίπεδο έντασης ήχου	$L_{WA} = 102,0 \text{ dB(A)}$
Negotovost K	Neurčitost K	Променливост (К)	Невизначеність К	Belirsizlik K	Αβεβαιότητα Κ	3 dB (A)
Nosite štítníky za ušesa.	Používejte chrániče sluchu.	Носете антифони.	Носіть захисні навушники.	Kulak koruyucu kullanın.	Φοράτε ωτοασπίδες.	
Skupna vrednost vibracij (vektorska vsota treh smeri) določena v skladu z EN 62841:	Celkové hodnoty vibrácií (súhrn triaxiálneho vektora) určuje norma EN 62841:	Общата стойност на вибрациите (триосна векторна сума) е определена в съответствие с EN 62841:	Загальне значення вібрації (триаксіальна векторна сума) визначається відповідно до EN 62841:	EN 62841 normuna uygun olarak belirlenmiş titreşim toplam değerleri (triaks vektör toplamı):	Συνολικές αξίες κραδασμών (τριαξονικό διανυσματικό άθροισμα) σύμφωνα με EN 62841:	
Vrednost emisij vibracij	Hodnota emisij vibrácií	Ниво на вибрациите	Значення вібраційної емісії	Titreşim emisyon değeri	Τιμή εκπομπών κραδασμών	$a_w \leq 2,5 \text{ m/s}^2$
Nedoloč. K	Odhýlka K	Променливост (К)	Невизначеність К	Belirsizlik K	Αβεβαιότητα Κ	1,5 m/s ²





EN WARNING

The vibration emission level given in this information sheet has been measured in accordance with a standardised test given in EN 62841 and may be used to compare one tool with another. It may be used for a preliminary assessment of exposure. The declared vibration emission level represents the main applications of the tool. However if the tool is used for different applications, with different accessories or poorly maintained, the vibration emission may differ. This may significantly increase the exposure level over the total working period.

An estimation of the level of exposure to vibration should also take into account the times when the tool is switched off or when it is running but not actually doing the job. This may significantly reduce the exposure level over the total working period. Identify additional safety measures to protect the operator from the effects of vibration such as: maintain the tool and the accessories, keep the hands warm, organisation of work patterns.

FR AVERTISSEMENT

Le niveau d'émission des vibrations indiqué dans cette feuille d'information a été mesuré en concordance avec un test normalisé fourni par EN62841 et peut être utilisé pour comparer un outil à un autre. Il peut être utilisé pour une évaluation préliminaire de l'exposition. Le niveau déclaré d'émission des vibrations s'applique à l'utilisation principale de l'outil. Toutefois, si l'outil est utilisé pour des applications différentes, avec des accessoires différents, ou mal entretenu, l'émission de vibrations peut être différente. Le niveau d'exposition peut en être augmenté de façon significative tout au long de la période de travail.

Une estimation du niveau d'exposition aux vibrations doit aussi prendre en compte les périodes où l'outil est arrêté ainsi que les périodes où il fonctionne sans vraiment travailler. Le niveau d'exposition pendant la durée totale du travail peut en être réduit de façon significative. Prenez en considération les mesures additionnelles de sécurité à prendre pour protéger l'opérateur des effets des vibrations telles que: maintien de l'outil et de ses accessoires, maintien des mains au chaud, organisation du travail.

DE WARNUNG

Der in diesem Informationsblatt genannte Schwingungspegel wurde entsprechend dem standardisierten Test von EN62841 gemessen und kann benutzt werden um das Werkzeug mit anderen zu vergleichen. Er kann benutzt werden, um eine vorausgehende Einschätzung der Exposition durchzuführen. Der genannte Schwingungspegel repräsentiert den Haupteinsatzbereich des Werkzeugs. Jedoch kann das Werkzeug für verschiedene Einsatzbereiche benutzt werden. Mit unterschiedlichen Zusatzgeräten oder bei schlechter Wartung kann der Schwingungspegel unterschiedlich sein. Dadurch kann die Expositionshöhe über die gesamte Arbeitszeit signifikant erhöht werden.

Eine Einschätzung der Exposition zu Schwingungen sollte auch die Zeiten wenn das Werkzeug ausgeschaltet ist, oder wenn es angeschaltet aber nicht in Betrieb ist, in Betracht ziehen. Dadurch kann die Expositionshöhe über die gesamte Arbeitszeit signifikant reduziert werden. Identifizieren Sie zusätzliche Sicherheitsmaßnahmen um die Bedienungsperson vor den Effekten der Schwingungen zu schützen, wie zum Beispiel: Das Werkzeug und Zusatzgeräte warten, Hände warmhalten und Organisation der Arbeitszeiten.

ES ADVERTENCIA

El nivel de emisión de las vibraciones que figura en esta hoja de información se ha medido según una prueba estandarizada que figura en EN62841 y puede ser utilizado para comparar una herramienta con otra. Puede ser utilizado para una evaluación preliminar de la exposición. El nivel de emisión de las vibraciones declarado representa las principales aplicaciones de la herramienta. No obstante, si la herramienta se utiliza para diferentes aplicaciones, con diferentes accesorios o no recibe el mantenimiento adecuado, la emisión de las vibraciones puede ser diferente. Esto puede aumentar significativamente el nivel de exposición durante el período de trabajo total.

Una estimación del nivel de exposición a la vibración también debe tener en cuenta el tiempo en el que la herramienta está desconectada o cuando está conectada pero no está realizando ningún trabajo. Esto puede reducir significativamente el nivel de exposición durante el período de trabajo total. Identificar las medidas de seguridad adicionales para proteger al operador de los efectos de las vibraciones, tales como: mantenimiento de la herramienta y de los accesorios, y la organización de los patrones de trabajo.

IT AVVERTENZE

Il livello di vibrazioni indicato in questo foglio informativo è stato misurato seguendo un test svolto secondo i requisiti indicati dallo standard EN62841 e potrà essere utilizzato per paragonare un utensile con un altro. Potrà essere utilizzato per una valutazione preliminare dell'esposizione a vibrazioni. Il livello dichiarato di emissioni di vibrazioni viene indicato tenendo conto delle applicazioni principali dell'utensile. Comunque se l'utensile viene utilizzato per applicazioni diverse con accessori diversi o non viene correttamente conservato, il livello delle vibrazioni potrà variare. Ciò potrà significativamente aumentare il livello di esposizione alle vibrazioni durante il periodo di lavoro totale.

Una valutazione del livello di esposizione alle vibrazioni dovrà inoltre prendere in considerazione i tempi in cui l'utensile viene spento o è acceso ma non viene utilizzato. Ciò potrà significativamente ridurre il livello di esposizione in un periodo totale di funzionamento. Ulteriori misure di sicurezza per proteggere l'operatore dagli effetti delle vibrazioni come: conservare correttamente l'utensile e i suoi accessori, tenere le mani calde e organizzare i tempi di lavoro.

NL WAARSCHUWING

Het trillingsemissieniveau dat op dit informatieblad wordt gegeven, is gemeten in overeenstemming met een gestandaardiseerde test, vastgelegd in EN62841 en mag worden gebruikt om machines met elkaar te vergelijken. Het verklaarde trillingsemissieniveau geeft de hoofdtoepassing van het gereedschap weer. Als de machine echter voor andere toepassingen of met andere accessoires wordt gebruikt of slecht wordt onderhouden, kan de trillingsemisie verschillen. Dit kan de blootstelling gedurende de gehele werkduur aanzienlijk verhogen.

Bij een schatting van het niveau van blootstelling aan trillingen moet ook rekening worden gehouden met het aantal keren dat de machine wordt uitgeschakeld of draait, maar niet wordt gebruikt. Dit kan het niveau van blootstelling gedurende de gehele werkduur aanzienlijk verlagen. Stel bijkomende veiligheidsmaatregelen op om de gebruiker tegen de gevolgen van trillingen te beschermen: zoals onderhouden het gereedschap en de accessoires, houd de handen warm, de organisatie van werktijden.

PT AVISO

O nível de emissão de vibrações fornecido nesta folha de informações foi medido em conformidade com o teste uniformizado descrito em EN62841 e pode ser usado para comparar uma ferramenta com outra. Este pode ser usado para uma avaliação preliminar da exposição. O nível de emissão de vibração declarado refere-se à aplicação principal da ferramenta. Contudo, se a ferramenta for usada para aplicações diferentes, com acessórios diferentes ou não for devidamente mantida, a emissão de vibrações pode diferir. Isto pode fazer aumentar significativamente o nível de exposição ao longo do período de trabalho total.

Uma estimativa do nível de exposição às vibrações deve ter, também, em consideração o tempo durante o qual a ferramenta está desligada ou em que está ligada mas não está a realizar qualquer trabalho. Isto pode reduzir significativamente o nível de exposição durante o período total de trabalho. Identifique medidas adicionais de segurança que protejam o operário dos efeitos da vibração como a manutenção da ferramenta e dos acessórios, a manutenção das mãos quentes e a organização de padrões de trabalho.

DA ADVARSEL

Det angivne niveau for vibrationsemission på denne oplysningside er blevet målt iht. en standardtest ifølge EN62841 og kan bruges til at sammenligne værktøjer indbyrdes. Det kan bruges til en foreløbig eksponeringsvurdering. Det opgivne niveau for vibrationsemission gælder, når værktøjet bruges til sit hovedformål. Men hvis værktøjet bruges til andre formål, med forskelligt eller med dårligt vedligeholdet ekstraudstyr, kan vibrationsemissionen variere. Dette kan medføre en betragtelig stigning i eksponeringsniveauet set over hele arbejdsperioden.

Et skøn over niveauet for vibrationseksponering bør også tage højde for de perioder, hvor værktøjet er slukket, eller hvor det er tændt uden faktisk at være i brug. Dette kan medføre en betragtelig reduktion i eksponeringsniveauet set over hele arbejdsperioden. Træf ekstra sikkerhedsforanstaltninger til beskyttelse af operatøren mod virkningerne fra vibrationen som fx: vedligehold værktøj og ekstraudstyr, holde hænderne varme, organisere arbejdsmonstre.





SV VARNING

Vibrationsnivåerna som uppges i det här dokumentet har uppmäts i enlighet med ett standardiserat test som beskrivs i EN62841 och som kan användas för att jämföra verktyg. Det kan användas som en preliminär bedömning av den vibration som användaren utsätts för. De deklarerade vibrationsvärdena motsvarar de som uppstår när verktyget används i sitt huvudsyfte. Om verktyget används i andra syften, med andra tillbehör eller om verktyget är dåligt underhållet kan vibrationsnivåerna vara annorlunda. Det kan kraftigt öka vibrationsnivåerna över den totala arbetsperioden.

En uppskattning av vibrationsnivåerna som användaren utsätts för ska också ta hänsyn till de stunder då verktyget är avstängt och när det går på tomgång. Detta kan kraftigt minska vibrationsnivåerna över den totala arbetsperioden. Andra säkerhetsåtgärder som kan skydda användaren från effekterna av vibrationer är: underhållning av verktyget och tillbehören, hålla händerna varma och organisera arbets sättet.

FI VAROITUS

Tämän tiedotteen tärinäoso on mitattu EN62841-standardien mukaisilla testeillä, ja niitä voidaan käyttää verrattaessa laitetta toiseen. Sitä voidaan käyttää arvioitaessa tärinävaikutusta. Ilmoitettu tärinäoso vastaa laitteen pääasiallista käyttötarkoitusta. Jos laitetta kuitenkin käytetään muuhun tarkoitukseen, muilla lisälaitteilla tai huonosti huolletuna, tärinäoso saattaa poiketa ilmoitetusta arvosta. Tämä voi kasvatata kokonaisaltistumista huomattavasti koko työjakson kuluessa.

Tärinän altistumistasoa arvioitaessa tulee huomioida ajat, jolloin laite on sammutettu tai kun se on käynnissä, mutta sitä ei käytetä varsinaiseen työskentelyyn. Tämä voi vähentää kokonaisaltistumista huomattavasti koko työjakson kuluessa. Käytä muitakin suojauskeinoja turvataksesi käyttäjän tärinävaikutukselta, kuten: huolla laite ja lisälaitteet, pidä kätesi lämpiminä, organisoi työnkulku.

NO ADVARSEL

Vibrasjonsnivået som oppgis på dette informasjonsarket er målt i henhold til en standardisert test gitt i EN62841 og kan brukes til å sammenligne ett verktøy med et annet. Det kan brukes til en foreløpig vurdering av eksponering. Det erklærte vibrasjonsnivået representerer hovedanvendelsen for verktøyet. Dersom verktøyet brukes for andre anvendelser, med forskjellige tilbehør eller med dårlig vedlikehold, vil vibrasjonsnivået kunne være annerledes. Det kan gi en betydelig økning av eksponeringsnivået over den totale arbeidsperioden.

En beregning av nivået for eksponering til vibrasjoner må også ta hensyn til den tiden verktøyet er slått av eller er i gang men ikke i faktisk bruk for å utføre den tiltenkte oppgaven. Dette kan gi en betydelig økning av eksponeringsnivået over den totale arbeidsperioden. Identifiser ytterligere sikkerhetstiltak for å beskytte den som bruker verktøyet fra virkningen av vibrasjoner, tiltak som: Vedlikehold verktøyet og tilbehøret, hold hendene varme, organiser arbeidsmetodene.

RU ОСТОРОЖНО!

Уровень вибрации, приведенный в данном справочном листе, измерен согласно стандартизованным испытаниям, определенным в EN62841 и может использоваться для сравнения различных инструментов. Значение уровня может использоваться для предварительной оценки влияния вибрации. Заявленный уровень вибрации действителен для основного применения инструмента. Однако, если инструмент используется для других целей, с другими приспособлениями, или плохо обслуживается, уровень вибрации может отличаться от указанного. Это может значительно увеличить величину воздействия за общее время работы.

При оценке уровня воздействия вибрации следует также принять во внимание время простоя и холостой ход (когда инструмент выключен и когда включен, но работа не производится). Эти факторы могут значительно уменьшить величину воздействия вибрации за общее время работы. Определите дополнительные меры безопасности, защищающие работающего от влияния вибрации: техническое обслуживание инструмента и принадлежностей, недопущение охлаждения рук, соответствующие приемы и расписание работы.

PL OSTRZEŻENIE

Deklarowany poziom drgań został zmierzony za pomocą standardowej metody pomiaru określonej normą EN62841 i jego wyniki mogą służyć do porównywania tego urządzenia z innymi. Deklarowana wartość drgań może służyć do wstępnej oceny narażenia operatora na drgania. Deklarowany poziom drgań dotyczy podstawowych zastosowań urządzenia. Jednak w przypadku użycia urządzenia do innych zastosowań, z innymi przystawkami lub w przypadku niewłaściwego stanu technicznego urządzenia poziom drgań może odbiegać od deklarowanego. Może być to przyczyną zwiększenia stopnia narażenia operatora na drgania w całym okresie wykonywania pracy.

Podczas oceny narażenia na drgania należy również uwzględnić czas wyłączenia urządzenia oraz czas, w którym urządzenie jest włączone, jednak praca nie jest wykonywana. Czas te mogą znacznie zmniejszyć stopień narażenia operatora na drgania w całym okresie wykonywania pracy. Należy określić dodatkowe środki ochrony operatora przed skutkami drgań, przykładowo: dbać o stan techniczny urządzenia i przystawek, dbać o zachowanie ciepłoty dłoni, odpowiednio zorganizować harmonogram wykonywania prac.

CS VAROVÁNÍ

Hodnota vibračních emisí uvedená v tomto informačním listu byla naměřena standardizovaným testem podle EN62841 a ji použít k porovnání s hodnotami jiných nástrojů. Může se používat k předběžnému odhadu vystavení vibracím. Uznávaná hodnota vibračních emisí reprezentuje hlavní použití nástroje. Nicméně pokud se nástroj používá pro jiné použití, s různými doplňky nebo se nedostatečně neudržuje, mohou se vibrační emise lišit. Toto může výrazně zvýšit úroveň vystavení nad celkové pracovní období.

Odhad úrovně vystavení vibracím by měl vzít taktéž v potaz časy, kdy je chvění vypnuto, nebo když přístroj běží, ale nevykonává práci. Toto může výrazně snížit úroveň vystavení nad celkové pracovní období. Určete doplňující bezpečnostní opatření pro ochranu obsluhy před různými vibracemi, například: Udržujte nástroj a doplňky, udržujte ruce v teple, organizujte pracovní schéma.

HU FIGYELMEZTÉTES

A vibráció-kibocsátás adattalapon megadott értéke az EN62841 által meghatározott szabványosított mérési eljárás szerint lett megmértve, amely lehetővé teszi a különböző szerszámok összehasonlítását. Használható a kitettség előzetes felmérésére is. A nyilatkozatban szereplő kibocsátási érték a szerszám főbb alkalmazási területeire vonatkozik. Ugyanakkor, ha a szerszám más alkalmazásokra, más kiegészítőkkel használják vagy rosszul tartják karban, a vibráció-kibocsátás értéke ettől eltérő is lehet. Ez jelentősen növelheti a kitettség szintjét a gép teljes használati időtartama során.

A vibrációnak való kitettség szintjének becslésekor figyelembe kell venni azokat az időintervallumokat is, amikor a szerszám ki van kapcsolva, vagy működik, de nem végeznek munkát vele. Ez jelentősen csökkentheti a kitettség szintjét a gép teljes használati időtartama során. Tegyen további óvintézkedéseket a kezelő vibrációval szembeni megvédése érdekében: tartsa karban a szerszámot és a tartozékokat, tartsa melegen a kezét, tervezzék meg a munkafolyamatot.

RO AVERTISMENT

Nivelul emisiilor de vibrații prezentat în cadrul acestei fișe cu informații a fost măsurat în conformitate cu un test standardizat furnizat în EN62841 și poate fi folosit la a compara o unealtă cu o alta. Poate fi folosit la o evaluare preliminară a expunerii. Nivelul declarat al emisiilor de vibrații reprezintă aplicațiile principale ale uneltei. Cu toate acestea, în cazul în care unealta este utilizată pentru aplicații diferite, cu accesorii diferite sau întreținute necorespunzător, emisiile de vibrații pot diferi. Acestea pot crește semnificativ nivelul de expunere pe întreaga perioadă de lucru.

O estimare a nivelului de expunere la vibrații trebuie, de asemenea, să țină cont de tălțile în care unealta este oprită sau de tălțile în care aceasta funcționează fără a efectua propriu-zis sarcina de lucru. Acestea pot reduce semnificativ nivelul de expunere pe întreaga perioadă de lucru. Identificați măsurile de siguranță suplimentare pentru a proteja operatorul de efectele vibrațiilor, precum: întreținerea uneltei și a accesoriilor, păstrarea mâinilor calde, organizarea de modele de lucru.





LV BRĪDINĀJUMS

Šajā datu lapā dotā vibrāciju emisijas vērtība ir mērīta saskaņā ar standartizēto testu, kas dots EN62841 un kuru var izmantot, lai salīdzinātu vienu instrumentu ar citu. To var izmantot aptuvenam ekspozīcijas novērtējumam. Deklarētais vibrāciju emisijas līmenis atbilst galvenajiem instrumenta pielietojumiem. Tomēr, ja instrumentu lieto citiem pielietojumiem, ar citiem piederumiem vai tas tiek slikti apkopts, vibrāciju emisijas vērtība var atšķirties. Tas var ievērojami palielināt ekspozīcijas līmeni visā darba periodā.

Vibrāciju ekspozīcijas līmeņa novērtējumam jāņem vērā laiks, kad instruments ir izslēgts vai ir ieslēgts, bet nevis nekādu darbu. Tas var ievērojami samazināt ekspozīcijas līmeni visā darba periodā. Identificējiet papildu drošības pasākumus, lai aizsargātu operatoru no vibrācijas iedarbības, piemēram, veiciet instrumenta un piederumu apkopi, turiet rokas siltas un pielāgojiet darba grafiku.

LT IŠPĒJĪMAS

Šīme lape nurodys vibrācijas emisijos lygis buvo išmatuotas pagal standartinį testą, aprašytą EN62841, ir gali būti naudojamas vieno įrankio su kitu palyginimui. Jis gali būti naudojamas preliminariam pavojaus įvertinimui. Deklaruotas vibracijos emisijos lygis priskiriamas pagrindinėms įrankio taikymo sritims. Tačiau, jei įrankis naudojamas kitiems tikslams, su kitokiais priedais ar įrankis prastai prižiūrimas, vibracijos emisija gali skirtis. Per visą darbo laikotarpį tai gali žymiai padidinti vibracijos keliamą pavojų.

Nustatant vibracijos keliamą pavojų taip pat būtina atsižvelgti į tai, kiek kartų įrankis yra išjungtas ar kai jis veikia, bet juo iš tikrųjų nedirbama. Per visą darbo laikotarpį tai gali žymiai sumažinti vibracijos keliamą pavojų. Naudokite papildomas apsaugos priemones dirbančiam asmeniui apsaugoti nuo vibracijos poveikio, pvz.: prižiūrėti įrankį ir jo priedus, rankas laikyti šiltai, organizuoti darbo sesijas.

ET HOIATUS

Sellei infolehel esitatud vibratsioonitaseme väärtus on mõõdetud standardis EN62841 kirjeldatud katsameetodiga ja seda võib kasutada tööriistade omavaheliseks võrdlemiseks. Seda võib kasutada vibratsioonimõju eelhindamiseks. Deklareeritud vibratsioonitaseme väärtus kehtib tööriista tavakasutamisel. Kui aga kasutate tööriista muudeks kasutusotstarveteks, eriostarbeliste tarvikutega või kui tööriist on puudulikult hooldatud, siis võib vibratsiooniväärtus erineda. Sellistel juhtudel võib tööperioodi summaarne vibratsioonitaseme suureneda märgatavalt.

Vibratsiooniväärtuse taset tuleb arvesse võtta ka sel ajal, kui tööriist on välja lülitatud või kui tööriist tööle, kuid ei tee tööoperatsiooni. Sellistel juhtudel võib tööperioodi ajal summaarne vibratsioonitaseme väheneda märgatavalt. Maarake kindlaks täiendavad ohutusmeetmed, et kaitsa operaatorit vibratsioonimõjude eest – tööriistade ja tarvikute hooldamine, käte soojas hoidmine ja tövähetus te organiseerimine.

HR UPOZORENJE

Razina vrijednosti vibracija data u ovoj tablici s informacijama mjerena je skladno normiranom testu pruženom u EN62841 i može se koristiti za usporedbu jednog alata s drugim. Može se koristiti u početnom usklađivanju izloženosti. Objavljena razina vrijednosti vibracija predstavlja glavnu primjenu alata. Međutim, ako se alat koristi za druge primjene, s različitim dodatnim priborom ili je slabo održavan, vrijednost vibracija može se razlikovati. Ovo može značajno povećati razinu izloženosti tijekom ukupnog radnog razdoblja.

U procjeni razine izloženosti na vibraciju također treba uzeti u obzir vrijeme kada je alat isključen ili kada je pokrenut no ne i stvarno vrijeme rada. Ovo može značajno smanjiti razinu izloženosti tijekom ukupnog radnog razdoblja. Odredite dodatne sigurnosne mjere za zaštitu operatora od učinaka vibracije poput: održavanje alata i pribora, održavanje toplih ruku, organizacija obrazaca za rad.

SL OPOZORILO

Nivo emisij vibracij, naveden v tem informacijskem listu, je bil izmerjen v skladu s standardiziranim testom, ki je podan v EN62841, podatek pa se lahko uporablja za primerjavo enega orodja z drugim. Uporablja se ga lahko za predhodno oceno izpostavljenosti. Navedeni nivo emisij vibracij predstavlja glavne uporabe orodja. Vendar, če se orodje uporablja v druge namene in z različnimi nastavitvami oz. če je orodje slabo vzdrževano, se lahko emisije vibracij razlikujejo. To lahko občutno poveča nivo izpostavljenosti v skupnem delovnem času.

Ocena nivoja izpostavljenosti vibracijam bi morala prav tako upoštevati, koliko krat je orodje bilo izključeno ali je v delovanju in pravzaprav ne opravlja svojega dela. To lahko občutno zmanjša nivo izpostavljenosti v skupnem delovnem času. Upoštevajte dodatne varnostne ukrepe, da bi upravljavca zaščitili pred vplivom vibracij, kot je: vzdržujte orodje in nastave, pazite, da so roke tople, organizirajte delovne vzorce.

SK VAROVANIE

Úroveň emisie vibrácií, uvedená v tomto informačnom hárku bola nameraná v súlade so štandardizovaným testom, daný normou EN62841 a môže sa použiť na porovnanie jedného nástroja s druhým. Môže sa použiť na predbežné určenie miery vystavenia sa vibráciám. Uvedená úroveň emisie vibrácií predstavuje hlavné aplikácie nástroja. Avšak keď sa nástroj používa na iné aplikácie, s rôznym príslušenstvom alebo má zlú údržbu, úroveň vibrácií sa môže líšiť. Týmto sa môže výrazne zvýšiť úroveň vystavenia sa vibráciám počas celkového času práce.

Odhad úrovne vystavenia sa vibráciám by sa mal brať tiež do úvahy, vždy, keď sa nástroj vypne, alebo potom, keď beží ale v skutočnosti sa nevykonáva práca. Týmto sa môže výrazne znížiť úroveň vystavenia sa vibráciám počas celkového času práce. Nasledovné dopĺňujúce bezpečnostné opatrenia pomáhajú chrániť operátora od účinkov vibrácií: údržba nástroja a príslušenstva, udržiavanie teplých držadiel, organizácia práce.

BG ВНИМАНИЕ

Посоченото в тези инструкции ниво на вибрациите е измерено в съответствие със стандартизиран в EN 62841 измервателен метод и може да се използва за сравнение на електрически инструменти помежду им. Подходящ е и за временна оценка на вибрационното натоварване. Посоченото ниво на вибрациите представя основните приложения на електрическия инструмент. Ако обаче електрическият инструмент се използва с друго предназначение, с различни сменяемите инструменти или при недостатъчна техническа поддръжка, нивото на вибрациите може да е различно. Това чувствително може да увеличи вибрационното натоварване по време на целия работен цикъл.

За точната оценка на вибрационното натоварване трябва да се вземат предвид и периодите от време, в които уредът е изключен или работи, но в действителност не се използва. Това чувствително може да намали вибрационното натоварване по време на целия работен цикъл. Определете допълнителни мерки по техника на безопасност в защита на обслужващия работник от въздействието на вибрациите като например: техническа поддръжка на електрическия инструмент и сменяемите инструменти, поддръжане на ръцете топли, организация на работния цикъл.

UK ПОПЕРЕДЖЕННЯ

Рівень вібрації, зазначений у цьому інформаційному листку був розрахований відповідно зі стандартизованим випробуванням, наведеним в EN 62841 і може використовуватися для порівняння одного інструмента з іншими. Він може бути використаний для попередньої оцінки впливу. Зазначений рівень вібрації представляє основні застосування інструменту. Тим не менш, якщо інструмент використовується для різних додатків, з різними аксесуарамі і недоглянутий, рівень вібрації може відрізнятись. Це може значно підвищити рівень впливу протягом усього робочого періоду.

При оцінюванні рівня впливу вібрації необхідно також враховувати час, коли інструмент вимкнений або коли він працює, але насправді не виконує ніякої роботи. Це може значно зменшити рівень впливу протягом усього робочого періоду. Для захисту оператора від впливу вібрації, визначте додаткові заходи безпеки, такі як: ретельний догляд за інструментом і приладдям, тримання рук в теплі, і організація схеми роботи.





TR UYARI

Bu bilgi sayfasında verilen titreşim emisyon seviyesi, EN62841 standardında belirtilen standartlaştırılmış bir teste uygun olarak ölçülmüş ve bir aleti diğeriyle karşılaştırmak için kullanılabilir. On maruz kalma tespiti için kullanılabilir. Beyan edilen titreşim emisyon seviyesi aletin asıl uygulamalarını temsil etmektedir. Ancak alet, farklı aksesuarlarla veya yetersiz bakımlı olarak farklı uygulamalar için kullanılırsa titreşim emisyonu değişebilir. Bu durum toplam çalışma süresi boyunca maruz kalma seviyesini önemli ölçüde artırır.

Titreşime maruz kalma seviyesinin değerlendirilmesi aynı zamanda alet kapalı ve ardından çalışır ancak gerçek anlamda iş yapmadığı zamanlar da göz önünde bulundurulmalıdır. Bu durum toplam çalışma süresi boyunca maruz kalma seviyesini önemli ölçüde azaltır. Operatörü titreşimin etkilerinden korumak için ilave güvenlik önlemleri belirleyin, örneğin: aletin ve aksesuarlarının bakımını yapmak, operatörün ellerini sıcak tutmak, çalışma modellerini organize etmek.

EL ΠΡΟΕΙΔΟΠΟΙΗΣΗ

Τα επίπεδα εκπομπών κραδασμών που παρέχονται στο παρόν ενημερωτικό φυλλάδιο, έχουν μετρηθεί βάσει τυποποιημένης δοκιμής που προβλέπεται στο EN62841 και μπορούν να συγκριθούν για τη σύγκριση του εργαλείου με άλλα. Μπορούν επίσης να χρησιμοποιηθούν για προκαταρκτική αξιολόγηση της έκθεσης. Τα δηλωμένα επίπεδα εκπομπών κραδασμών αφορούν τις βασικές εφαρμογές του εργαλείου. Ωστόσο, αν το εργαλείο χρησιμοποιείται για διαφορετικές εφαρμογές, με διαφορετικά εξαρτήματα ή με κακή συντήρηση, η εκπομπή κραδασμών μπορεί να διαφέρει. Αυτό μπορεί να αυξήσει σημαντικά το επίπεδο έκθεσης στη συνολική περίοδο εργασίας.

Η εκτίμηση των επιπέδων έκθεσης σε κραδασμούς θα πρέπει επίσης να λαμβάνει υπόψη τις χρονικές περιόδους κατά τις οποίες το εργαλείο είναι απενεργοποιημένο ή λειτουργεί χωρίς να χρησιμοποιείται σε συγκεκριμένη εργασία. Αυτό μπορεί να μειώσει σημαντικά το επίπεδο έκθεσης στη συνολική περίοδο εργασίας. Εφαρμόστε επιπρόσθετα μέτρα ασφαλείας για την προστασία του χειριστή από τις επιπτώσεις των κραδασμών, όπως τα εξής: συντηρείτε το εργαλείο και τα εξαρτήματα, διατηρείτε τα χέρια ζεστά, οργανώστε μοτίβα εργασίας.



EN RYOBI® WARRANTY APPLICATION CONDITIONS

In addition to any statutory rights resulting from the purchase, this product is covered by a warranty as stated below.

1. The warranty period is 24 months for consumers and commences on the date the product was purchased. This date has to be documented by an invoice or other proof of purchase. The product is designed and dedicated to consumer and private use only. So there is no warranty provided in case of professional or commercial use. This warranty applies only on new products.
2. There is a possibility to extend for a part of the range of power tools (AC/DC) the warranty period over the period described above using the registration on the www.ryobitools.eu website. The eligibility of products for extended warranty is clearly displayed in stores and / or on packaging and is contained within the product documentation. The end user is required to register his/her newly-acquired products online within 30 days from the date of purchase. The end user may register for the extended warranty in his/her country of residence if listed on the online registration form where this option is valid. Furthermore, end users must give their consent to the storage of their personal data that is required to be entered online. They must also accept the terms and conditions. The registration confirmation receipt, which is sent out by e-mail, and the original invoice showing the date of purchase will serve as proof of the extended warranty.
3. The warranty covers all defects of the product during the warranty period due to faults in workmanship or material at the purchase date. The warranty is limited to repair and/or replacement and does not include any other obligations including but not limited to incidental or consequential damages. The warranty is not valid if the product has been misused, used contrary to the instruction manual, or has been incorrectly connected to a power supply. This warranty does not apply to:
 - any damage to the product that is the result of improper or lack of maintenance
 - any product that has been altered or modified
 - any product where original identification (trade mark, serial number) markings have been defaced, altered or removed
 - any damage caused by non-observance of the instruction manual
 - any product not displaying the CE approval mark on the rating plate
 - any product that has been attempted to be repaired by a non-authorized warranty service centre or without prior authorisation by Techtronic Industries
 - any product connected to improper power supply (amps, voltage, frequency)
 - any damage caused by external influences (water, chemical, physical, shocks) or foreign substances
 - normal wear and tear spare parts
 - inappropriate use, overloading of the tool
 - use of non-approved accessories or parts
 - Power tool accessories provided with the tool or purchased separately, including but not limited to screw driver bits, drill bits, abrasive discs, sand paper and blades, lateral guide, etc.
 - Components (parts and accessories) subject to natural wear and tear, including but not limited to service & maintenance kits, carbon brushes, bearings, chuck, SDS drill bit attachment or reception, power cord, auxiliary handle, transport carry case, sanding plate, dust bag, dust exhaust tube, felt washers, impact wrench pins & springs, etc.
4. For servicing, the product must be sent or presented to a RYOBI authorised service station listed for each country in the following list of service station addresses. In some countries your local RYOBI dealer undertakes to send the product to the RYOBI service organisation. When sending a product to a RYOBI service station, the product should be safely packed without any dangerous contents such as petrol, marked with sender's address and accompanied by a short description of the fault.
5. A repair / replacement under this warranty is free of charge. It does not constitute an extension or a new start of the warranty period. Exchanged parts or products become our property. In some countries delivery charges or postage will have to be paid by the sender. Your statutory rights arising from the purchase of the product remain unaffected
6. This warranty is valid in the European Community, Switzerland, Iceland, Norway, Liechtenstein, Turkey and Russia. Outside these areas, please contact your authorised RYOBI dealer to determine if another warranty applies.

AUTHORISED SERVICE CENTRE

To find an authorised service centre near you, visit <http://uk.ryobitools.eu/header/service-and-support/service-agents>

FR RYOBI® CONDITIONS D'APPLICATION DE LA GARANTIE

En plus des droits statutaires liés à l'achat, ce produit est couvert par une garantie telle que décrite ci-dessous.

1. La durée de la garantie accordée au consommateur est de 24 mois à partir de la date d'achat. Cette date doit être authentifiée par une facture ou toute autre preuve d'achat. Le produit a été conçu en vue d'une utilisation strictement privée. Aucune garantie ne s'applique donc en cas d'utilisation professionnelle ou commerciale.
2. Il existe pour une partie de la gamme d'outils électroportatifs (AC/DC), une possibilité d'étendre la période de garantie au-delà de la période précédemment décrite en utilisant le formulaire d'enregistrement présent sur le site Internet www.ryobitools.eu. L'éligibilité d'un outil est clairement affichée dans les points de vente et/ou sur l'emballage et la documentation. L'utilisateur final doit enregistrer son/ses outil(s) nouvellement acheté(s) en ligne dans les 30 jours qui suivent la date d'achat. L'utilisateur a la possibilité de s'enregistrer pour l'extension de garantie dans son pays de résidence si celui-ci est listé dans le formulaire d'enregistrement en ligne où cette option est valide. L'utilisateur final doit donner son consentement pour l'enregistrement des données requises pour accéder au site et doit accepter les termes et conditions. La confirmation d'enregistrement, envoyée par courrier électronique, ainsi que la facture originale mentionnant la date d'achat serviront de preuve de l'extension de garantie.
3. La garantie couvre pendant la période de garantie les défauts des produits liés à la fabrication et aux matériaux à la date d'achat. La garantie est limitée à la réparation et/ou au remplacement et n'inclut aucune autre obligation, tel que, mais sans s'y limiter, les dommages accessoires ou indirects. La garantie est non valable en cas de mauvaise utilisation du produit, d'utilisation contraire aux instructions du mode d'emploi, ou en cas de branchement incorrect. Cette garantie ne s'applique pas pour :
 - tout dommage au produit résultant d'un mauvais entretien
 - tout produit ayant été altéré ou modifié
 - tout produit dont les marquages originaux d'identification (marque, numéro de série) ont été dégradés, altérés ou retirés
 - tout dommage causé par le non-respect des instructions du mode d'emploi
 - tout produit non CE
 - tout produit ayant subi une tentative de réparation par du personnel non qualifié ou sans autorisation préalable de Techtronic Industries
 - tout produit raccordé à une alimentation secteur non conforme (ampérage, voltage, fréquence)
 - tout dommage causé par des influences extérieures (chimiques, physiques, chocs) ou par des substances étrangères
 - l'usure normale des pièces consommables
 - une utilisation inappropriée, une surcharge de l'outil
 - l'utilisation de pièces ou accessoires non agréés
 - accessoires de l'outil électrique fournis avec l'outil ou achetés séparément. Cela comprend notamment les embouts de vissage, les forets de perceuse, les disques abrasifs, le papier de verre et les lames, le guide latéral
 - Les composants (pièces et accessoires) sujets à l'usure naturelle, ceci incluant notamment les mandrins, les charbons, adaptateurs SDS, les cordons d'alimentation, les poignées auxiliaires, les mallettes de transport, les plateaux de ponçage, les sacs collecteurs de poussière, les tubes d'extraction de poussière, les carrés de clé à choc, etc.
4. Si le produit doit être réparé, envoyez-le à un service après-vente agréé RYOBI dont vous trouverez ci-dessous la liste pour chaque pays. Dans certains pays, votre revendeur RYOBI se chargera d'envoyer le produit à un centre de réparation RYOBI. Lorsque vous envoyez un produit à un service après-vente RYOBI, celui-ci doit être correctement emballé, sans contenir aucun produit dangereux tel que de l'essence, et vous devez indiquer votre adresse ainsi qu'une courte description du problème.
5. Une réparation / un remplacement sous garantie est gratuit(e). Ceci ne constituera pas une extension de garantie ni un nouveau départ de la période de garantie. Les pièces ou les outils remplacés deviennent notre propriété. Dans certains pays, les frais de port devront être assumés par l'expéditeur. Vos droits statutaires restent inchangés.
6. Cette garantie est valable au sein de l'Europe, de la Suisse, de l'Islande, de la Norvège, du Liechtenstein, de la Turquie, de la Russie. En dehors de ces zones, veuillez contacter votre distributeur agréé RYOBI pour déterminer si une autre garantie s'applique.

SERVICE APRÈS-VENTE AGRÉÉ

Pour trouver le service après-vente agréé le plus proche, rendez-vous sur <http://fr.ryobitools.eu/header/service-and-support/service-agents>.

DE RYOBI® GARANTIEBEDINGUNGEN

Zusätzlich zu den gesetzlichen Rechten aus dem Kauf gilt für dieses Produkt die nachstehend aufgeführte Garantie.

- Der Garantiezeitraum beträgt für Verbraucher 24 Monate und beginnt mit dem Datum des Kaufs. Dieses Datum muss durch eine Rechnung oder einen anderen Kaufbeleg dokumentiert werden. Dieses Produkt wurde ausschließlich zur privaten Nutzung durch Verbraucher entwickelt. Für den Fall einer professionellen bzw. kommerziellen Nutzung besteht daher keine Garantie.
- Es besteht die Möglichkeit, für einen Teil des Sortiments der Elektrogeräte (AC/DC) den Garantiezeitraum über den oben genannten Zeitraum hinaus zu verlängern, indem der Verbraucher die Registrierung auf der Website www.ryobitools.eu durchführt. Die Berechtigung der Werkzeuge für die Garantieverlängerung ist deutlich im Geschäft und/oder auf der Verpackung beschrieben und in der Produktdokumentation erwähnt. Der Verbraucher muss das neu erworbene Gerät online innerhalb von 30 Tagen ab dem Kaufdatum registrieren. Der Verbraucher kann das Gerät zwecks Garantieverlängerung in seinem Wohnsitzland/Heimatland registrieren, wenn dieses Land auf dem Online-Registrierungsformular aufgeführt ist und die Option gültig ist. Darüber hinaus muss der Verbraucher seine Zustimmung zur Speicherung der Daten geben, die online eingegeben werden müssen, und er muss die allgemeinen Geschäftsbedingungen akzeptieren. Die Bestätigung der Registrierung, die per E-Mail versandt wird, und die Originalrechnung mit dem Kaufdatum gelten als Beleg für die Garantieverlängerung.
- Die Garantie deckt alle Defekte des Geräts während des Garantiezeitraums ab, die auf zum Zeitpunkt des Kaufs bestehende Verarbeitungs- oder Materialfehler zurückzuführen sind. Die Garantie beschränkt sich auf Reparatur und/oder Ersatz und beinhaltet keine anderen Verpflichtungen, insbesondere keinen Schadenersatz für Folge- oder Nebenschäden. Die Garantie gilt nicht, wenn das Gerät fehlerhaft eingesetzt wurde, gegenseitlich zur Bedienungsanleitung eingesetzt wurde oder falsch angeschlossen wurde. Die Garantie gilt nicht für Folgendes:
 - Schäden am Gerät, die auf unkorrekte Wartung zurückzuführen sind
 - Geräte, an denen Veränderungen vorgenommen wurden
 - Produkte, bei denen die ursprüngliche Identifizierung (Handelsmarke, Seriennummer) unleserlich gemacht, verändert oder entfernt wurde
 - Schäden durch Nichtbeachtung der Bedienungsanleitung
 - nicht-CE-zertifizierte Geräte
 - Geräte, an denen durch nicht-qualifizierte Personen oder ohne vorherige Genehmigung von Techtronic Industries Reparaturversuche vorgenommen wurden
 - Geräte, die an unkorrekte Energiequellen (Ampere, Volt, Frequenz) angeschlossen wurden
 - Schäden durch äußere Einflüsse (chemisch, physisch, Stöße) oder Fremdstoffe
 - normaler Verschleiß von Ersatzteilen
 - unangemessene Nutzung, Überlastung des Geräts
 - Nutzung nicht genehmigter Zubehörteile oder Ersatzteile
 - mit dem Gerät gelieferte oder separat erworbene Zubehörteile. Dieser Ausschuss beinhaltet, ist aber nicht beschränkt auf Schraubendreher-Bits, Bohreinsätze, Schleifscheiben, Sandpapier und Klingen, Seitenführungen
 - Komponenten (Ersatzteile und Zubehörteile), die natürlichen und normalen Verschleißerscheinungen unterworfen sind, einschließlich aber nicht beschränkt auf: Service- und Wartungssätze, Kohlebürsten, Lager, Spannfutter, SDS-Bohreraufnahme /Bit-Adapter, Netzkabel, Zusatzhandgriff, Transportkoffer, Schleifteller, Staubbeutel, Staubabsaugrohr, Filzunterlegscheiben, Bolzen und Federn von Schlagschraubern usw.
- Zum Service muss das Gerät zu einer von RYOBI autorisierten Servicestation gebracht oder dorthin gesendet werden. Die Servicestationen für die einzelnen Länder sind in der folgenden Liste aufgeführt. In einigen Ländern sendet Ihr RYOBI-Händler vor Ort das Gerät an das RYOBI-Serviceunternehmen. Beim Einsenden an die RYOBI-Servicestation sollte das Gerät sicher verpackt sein, ohne gefährliche Inhalte wie Benzin, und es sollte mit der Adresse des Absenders und einer kurzen Beschreibung des Fehlers versehen sein.
- Eine Reparatur bzw. ein Ersatz gemäß dieser Garantie ist kostenlos. Hieraus ergibt sich weder eine Garantieverlängerung noch der Beginn eines neuen Garantiezeitraums. Die ausgetauschten Ersatzteile oder Werkzeuge gehen in unser Eigentum über. In einigen Ländern müssen die Zustellgebühren oder die Versandkosten vom Absender gezahlt werden. Ihre gesetzlichen Rechte aus dem Kauf des Geräts bleiben hiervon unberührt.
- Diese Garantie gilt in der Europäischen Union, der Schweiz, Island, Norwegen, Liechtenstein, der Türkei und Russland. Bitte wenden Sie sich außerhalb dieser Gebiete an Ihren autorisierten RYOBI-Händler, um festzustellen, ob eine andere Garantie gilt.

AUTORISIERTER KUNDENDIENST

Besuchen Sie <http://de.ryobitools.eu/header/service-and-support/service-agents>, um einen autorisierten Kundendienst in Ihrer Nähe zu finden.

ES CONDICIONES DE APLICACIÓN DE LA GARANTÍA DE RYOBI®

Además de cualquier derecho legal derivado de la compra, este producto está cubierto por una garantía que se indica a continuación.

- El periodo de garantía es de 24 meses para consumidores y comienza en la fecha en que se compra el producto. Dicha fecha debe documentarse con una factura u otro comprobante de compra. El producto está diseñado y concebido únicamente para el uso privado del consumidor. Por lo tanto, no se ofrece garantía en caso de uso profesional o comercial.
- Existe la posibilidad de ampliar el periodo de garantía respecto a una parte de la gama de herramientas eléctricas (CA/CC) durante el periodo descrito más arriba y mediante el registro en el sitio web www.ryobitools.eu. La elegibilidad de las herramientas para que se amplíe el periodo de garantía se muestra claramente en las tiendas o en el embalaje y está incluida en la documentación del producto. El usuario final tiene que registrar en línea sus herramientas recientemente adquiridas en un plazo de 30 días a partir de la fecha de compra. El usuario final podrá registrarse para obtener la garantía ampliada en su país de residencia si este aparece en la lista del formulario de registro en línea cuando esta opción sea válida. Además, los usuarios finales deberán dar su consentimiento al almacenamiento de los datos necesarios para el acceso en línea y tienen que aceptar los términos y condiciones. El recibo de confirmación de registro, que se envía por correo electrónico, y la factura original que muestra la fecha de compra servirán como comprobante para la garantía ampliada.
- La garantía cubre todos los defectos del producto durante el periodo de garantía debido a fallos de mano de obra o material en la fecha de compra. La garantía se limita a la reparación o sustitución y no incluye ninguna otra obligación como, por ejemplo, daños accidentales o consecuentes. La garantía no es válida si se ha usado mal el producto, se ha usado contraviniendo el manual de instrucciones o se ha conectado de forma incorrecta. Esta garantía no es aplicable a:
 - ningún daño en el producto que sea consecuencia de un mantenimiento inadecuado
 - ningún producto que haya sido alterado o modificado
 - ningún producto en el que los marcados de identificación originales (marca comercial, número de serie) se hayan borrado, modificado o eliminado
 - ningún daño provocado por no seguir el manual de instrucciones
 - ningún producto que no sea CE
 - ningún producto que haya sufrido un intento de reparación por parte de un profesional no cualificado o sin la autorización previa de Techtronic Industries.
 - ningún producto conectado a un suministro eléctrico inadecuado (amperios, voltaje, frecuencia)
 - ningún daño causado por influencias externas (químicas, físicas, impactos) o sustancias extrañas
 - desgaste normal de piezas de repuesto
 - uso inadecuado, sobrecarga de la herramienta
 - uso de accesorios o piezas no aprobados
 - Accesorios de herramientas eléctricas proporcionados con la herramienta o comprados por separado. Tales exclusiones incluyen, entre otros, brocas de destornilladores, brocas de taladro, discos abrasivos, papel de lija y cuchillas, y guías laterales
 - Componentes (piezas y accesorios) sujetos a un desgaste natural, que incluyen, entre otros, equipos de servicio y mantenimiento, escobillas de carbono, cojinetes, pinzas, accesorio o recepción de broca de taladro SDS, cable eléctrico, manillar auxiliar, bolsa de transporte, hoja lijadora, bolsa de polvo, tubo de escape de polvo, disco de fieltro, pasadores y resortes de llave de impacto, etc.
- Para su mantenimiento, el producto debe enviarse o presentarse a una estación de servicio de RYOBI autorizada que figure en la siguiente lista de direcciones de estaciones de servicio por países. En algunos países, su distribuidor RYOBI local se responsabiliza de enviar el producto a la compañía de servicio de RYOBI. Cuando se envíe un producto a una estación de servicio de RYOBI, este debe estar empaquetado de forma segura sin contenidos peligrosos como gasolina, marcado con la dirección del remitente y acompañado de una breve descripción del fallo.
- Una reparación / sustitución con esta garantía es gratuita. No constituye una ampliación ni un nuevo comienzo del periodo de garantía. Las piezas o herramientas intercambiadas pasan a ser de nuestra propiedad. En algunos países, los gastos de envío o correo tendrán que pagarlos el remitente. Sus derechos legales derivados de esta compra de la herramienta no se verán afectados.
- Esta garantía es válida en la Unión Europea, Suiza, Islandia, Noruega, Liechtenstein, Turquía y Rusia. Fuera de estas zonas, póngase en contacto con su distribuidor de RYOBI autorizado para determinar si es aplicable otra garantía.

SERVICIO TÉCNICO AUTORIZADO

Para encontrar el servicio técnico autorizado más cercano, visite <http://es.ryobitools.eu/header/service-and-support/service-agents>

IT CONDIZIONI DI VALIDITÀ DELLA GARANZIA RYOBI®

In aggiunta ai diritti di legge risultanti dall'acquisto, il prodotto è coperto dalla garanzia sotto descritta.

- Il periodo di garanzia è di 24 mesi per i consumatori, a decorrere dalla data di acquisto del prodotto. La data deve essere documentata da una fattura o altra prova d'acquisto. Il prodotto è progettato e destinato solo all'utilizzo privato dei consumatori. Pertanto non viene fornita alcuna garanzia in caso di uso professionale o commerciale.
- Per una serie di utensili elettrici (CA/CC) è possibile prolungare il periodo di garanzia oltre quello descritto, registrandosi sul sito web www.ryobitools.eu. Gli utensili per i quali è possibile prolungare il periodo di garanzia sono chiaramente indicati nei negozi e/o sulle confezioni e nella documentazione dei prodotti. L'utente deve registrare online l'utensile acquistato entro 30 giorni dalla data di acquisto. L'utente può registrarsi per la garanzia prolungata nel proprio paese di residenza, se questo è elencato nel modulo di registrazione online dove questa opzione sia valida. Inoltre gli utenti devono fornire il proprio consenso alla conservazione dei dati da immettere online e devono accettare le condizioni generali. La conferma di registrazione, inviata tramite e-mail, e la fattura originale indicante la data di acquisto, costituiscono la prova della garanzia prolungata.
- La garanzia copre tutti i difetti del prodotto durante il periodo di garanzia, risultati da manodopera o materiali alla data di acquisto. La garanzia è limitata alla riparazione e/o sostituzione e non include alcun altro obbligo quali, a mero titolo esemplificativo, i danni incidentali o consequenziali. La garanzia non è valida se il prodotto è stato usato scorrettamente, in modo contrario al manuale di istruzioni o se è stato collegato in modo errato. La garanzia non è valida per:
 - qualsiasi danno al prodotto dovuto a manutenzione errata;
 - qualsiasi prodotto che sia stato alterato o modificato;
 - qualsiasi prodotto le cui marcature di identificazione originali (marchi di fabbrica, numero di serie) siano state cancellate, alterate o rimosse;
 - qualsiasi danno causato dalla non osservanza delle istruzioni del manuale;
 - qualsiasi prodotto privo di omologazione CE;
 - qualsiasi prodotto che sia stato sottoposto a un tentativo di riparazione da parte di un professionista non qualificato oppure senza la previa autorizzazione di Techtronic Industries;
 - qualsiasi prodotto collegato a un'alimentazione errata (per ampere, tensione, frequenza);
 - qualsiasi danno causato da influenze esterne (chimiche, fisiche, urti) o sostanze estranee;
 - la normale usura delle parti di ricambio;
 - uso inappropriato, sovraccarico dell'utensile;
 - uso di accessori o parti non omologate;
 - accessori per utensili elettrici forniti con l'utensile o acquistati separatamente. Questa esclusione comprende, a mero titolo esemplificativo, punte per cacciaviti, punte per trapani, dischi abrasivi, carta vetrata, lame e guide laterali;
 - componenti (parti e accessori) soggetti alla normale usura compresi, a mero titolo esemplificativo, kit di servizio e manutenzione, spazzole al carbonio, cuscinetti, mandrini, attacchi per punte a vite autopoterforante, cavi di alimentazione, maniglie ausiliarie, custodie di trasporto, piastre di levigatura, sacchetti per la polvere, tubi di scarico della polvere, rondelle di feltro, perni e molle per avvitatori ecc.
- Per la manutenzione il prodotto dev'essere spedito o portato presso uno dei centri assistenza autorizzati RYOBI elencati per ogni paese nel seguente elenco di indirizzi dei centri. In alcuni paesi il rivenditore locale RYOBI si incarica di inviare il prodotto all'organizzazione di assistenza RYOBI. Quando si invia un prodotto a un centro assistenza RYOBI, imballarlo in modo sicuro senza contenuti pericolosi come la benzina, apporre l'indirizzo del mittente e accompagnarlo da una breve descrizione del guasto.
- La riparazione/sostituzione ai sensi della presente garanzia è gratuita. Non costituisce un prolungamento o un nuovo inizio del periodo di garanzia. Le parti o gli utensili scambiati diventano di nostra proprietà. In alcuni paesi i costi di consegna o di spedizione postale devono essere pagati dal mittente. I diritti di legge derivanti dall'acquisto dell'utensile rimangono inalterati.
- La presente garanzia è valida in Unione Europea, Svizzera, Islanda, Norvegia, Liechtenstein, Turchia e Russia. Al di fuori di tali aree contattare il rivenditore autorizzato RYOBI per sapere se è valida un'altra garanzia.

CENTRO SERVIZI AUTORIZZATO

Per individuare il più vicino centro servizi autorizzato, visitare il sito <http://it.ryobitools.eu/header/service-and-support/service-agents>.

NL RYOBI® GARANTIEVOORWAARDEN

Naast de wettelijke rechten die voortvloeien uit de aankoop, wordt dit product gedekt door een garantie, zoals hieronder staat vermeld.

- De garantietermijn voor consumenten bedraagt 24 maanden en gaat in op de datum waarop het product is gekocht. Deze datum moet worden gedocumenteerd met een factuur of een ander aankoopbewijs. Het product is uitsluitend ontworpen en bedoeld voor persoonlijk gebruik door consumenten. Er wordt dus geen garantie gegeven voor professioneel of commercieel gebruik.
- Voor een deel van ons aanbod van elektrische gereedschappen (AC/DC) is het mogelijk om de garantietermijn te verlengen over de boven beschreven termijn, met behulp van de website www.ryobitools.eu. De gereedschappen die in aanmerking komen voor de verlenging van de garantietermijn wordt duidelijk weergegeven in winkels en/of verpakkingen en staat beschreven in de productdocumentatie. De eindgebruiker moet zijn/haar nieuw gekochte gereedschappen binnen 30 dagen na aankoop online registreren. De eindgebruiker kan zich registreren voor de verlengde garantietermijn als zijn woonland staat vermeld op het online registratieformulier waar deze optie geldt is. Bovendien moeten eindgebruikers toestemming geven voor de opslag van de gegevens die online ingevuld moeten worden en moeten ze de algemene voorwaarden accepteren. Het ontvangstbewijs van de registratie, dat per e-mail wordt verzonden en de oorspronkelijke factuur met de aankoopdatum vormt het bewijs van de verlengde garantietermijn.
- De garantie dekt tijdens de garantietermijn alle gebreken van het product vanwege defecten in vakmanschap of materiaal op de aankoopdatum. De garantie is beperkt tot reparatie en/of vervanging en bevat geen andere verplichtingen, waaronder maar niet beperkt tot incidentele of gevolgschade. De garantie is niet geldig als het product is misbruikt, in strijd met de gebruiksaanwijzing wordt gebruikt of onjuist is aangesloten. Deze garantie geldt niet voor:
 - alle schade aan het product die het gevolg is van onjuist onderhoud
 - elk product dat is veranderd of aangepast
 - elk product waar de oorspronkelijke identificatie (handelsmerk, serienummer) is beschadigd, gewijzigd of verwijderd
 - alle schade die is veroorzaakt door het niet opvolgen van de gebruiksaanwijzing
 - elk niet-CE-product
 - elk product waar een poging tot reparatie is gedaan door een niet-erkende professional of zonder voorafgaande toestemming door Techtronic Industries.
 - elk product dat is verbonden met een verkeerde voeding (amperage, spanning, frequentie)
 - alle schade die is veroorzaakt door externe invloeden (chemisch, fysisch, schokken) of vreemde stoffen
 - normale slijtage van reserveonderdelen
 - ongepast gebruik, overbelasting van het gereedschap
 - gebruik van niet-goedgekeurde accessoires of onderdelen
 - gereedschapsaccessoires die bij het gereedschap worden geleverd of afzonderlijk zijn aangeschaft. Zulke uitzonderingen bevatten, maar niet beperkt tot schroevendraaierbits, boorbits, slijpschijven, schuurpapier en zagen, laterale geleiding
 - Componenten (onderdelen en accessoires) die onderhevig zijn aan natuurlijke slijtage, waaronder maar niet beperkt tot service-onderhoudsets, koelstofborstels, lagers, boorkoppen, SDS boorbitbevestigingen of ontvangers, stroomsoeren, hulpprepen, transporttassen, schuurplateaus, stofzakken, stofafvoerbuizen, vilttringen, pennen en veren van slagmoersleutels, etc.
- Voor onderhoud moet het product worden verzonden of gebracht naar een erkend servicecenter van RYOBI die voor elk land staan vermeld in de volgende lijst met adressen voor servicecentra. In sommige landen zal uw lokale RYOBI-dealer het product verzenden naar de RYOBI-serviceorganisatie. Wanneer u het product naar een servicecenter van RYOBI verzendt, moet het product veilig worden verpakt zonder enige gevaarlijke inhoud, zoals benzine, met het adres van de afzender en vergezeld van een korte beschrijving van het defect.
- Een reparatie/vervanging die onder deze garantie valt is gratis. Het vormt geen verlenging of een nieuwe start van de garantietermijn. Verwisselde onderdelen of gereedschappen worden ons eigendom. In sommige landen moeten de verzendkosten door de afzender worden betaald. Uw wettelijke rechten die voortvloeien uit de aankoop van het gereedschap blijven onaangetaast.
- Deze garantie is geldig in de Europese Gemeenschap, Zwitserland, Usland, Noorwegen, Liechtenstein, Turkije en Rusland. Buiten deze gebieden moet u contact opnemen met uw erkende RYOBI-dealer om vast te stellen of er een andere garantie van toepassing is.

GEAUTORISEERD ONDERHOUDSCENTRUM

Om een geautoriseerd onderhoudscentrum in uw buurt te vinden, surf u naar <http://nl.ryobitools.eu/header/service-and-support/service-agents>.

PT CONDIÇÕES DE APLICAÇÃO DA GARANTIA RYOBI®

Para além de quaisquer direitos previstos por lei resultantes da compra, este produto está coberto por uma garantia conforme descrição abaixo.

- O período da garantia é de 24 meses para consumidores particulares e inicia-se na data de compra do produto. Esta data tem de ser documentada por uma factura ou por outra prova de compra. O produto foi concebido para e destina-se apenas a consumidores particulares e uso privado. Assim, não é dada garantia em caso de utilização por profissionais ou uso comercial.
- Para uma parte da gama de ferramentas eléctricas (AC/DC) existe a possibilidade de prolongamento do período da garantia para além do período descrito acima, mediante registo no Web site www.ryobitools.eu. A elegibilidade das ferramentas para prolongamento do período da garantia é claramente visível nas lojas e/ou nas embalagens e está contida na documentação do produto. O utilizador final tem de fazer o registo online das suas ferramentas recém-adquiridas no prazo de 30 dias após a data de compra. O utilizador final pode fazer o registo para prolongamento da garantia no seu país de residência, desde que esteja listado no formulário de registo online e para os casos em que esta opção seja válida. Para além disso, os utilizadores finais têm de autorizar o armazenamento dos dados cujo preenchimento lhes for solicitado online e têm de aceitar os termos e as condições. O recibo de confirmação do registo é enviado por e-mail e, em conjunto com a factura original ostentando a data de compra, servirá de prova do prolongamento da garantia.
- A garantia cobre todos os defeitos do produto durante o período da garantia devidos a defeitos de fabrico ou de material à data da compra. A garantia está limitada à reparação e/ou substituição e não inclui quaisquer outras obrigações, incluindo mas não se limitando a, perdas complementares ou indirectas. A garantia não é válida se o produto tiver sido utilizado incorrectamente, utilizado de forma contrária ao Manual de Instruções ou se as respectivas ligações tiverem sido feitas incorrectamente. Esta garantia não se aplica ao seguinte:
 - quaisquer danos ao produto que sejam resultado de manutenção incorrecta
 - qualquer produto que tenha sido alterado ou modificado
 - qualquer produto cujas marcações de identificação de origem (marca comercial, número de série) tiverem sido apagadas, alteradas ou retradas
 - quaisquer danos causados pelo incumprimento do Manual de Instruções
 - qualquer produto que não seja da Comunidade Europeia
 - qualquer produto ao qual tenha sido feita, ou tentada fazer, uma reparação por outra pessoa que não um profissional habilitado ou sem autorização prévia da Techtronic Industries.
 - qualquer produto ligado a uma fonte de alimentação eléctrica incorrecta (Amperes, Voltagem e Frequência)
 - qualquer dano causado por influências externas (químicas, físicas, impactos) ou substâncias estranhas
 - desgaste e degradação normal de sobresselentes
 - utilização incorrecta, sobrecarga da ferramenta
 - utilização de acessórios ou peças não aprovados
 - acessórios para ferramentas eléctricas fornecidos com a ferramenta ou comprados em separado. Estas exclusões incluem mas não se limitam a, pontas de aparafusadora, brocas, discos abrasivos, papel de lixa e lâminas, guia lateral
 - Componentes (peças e acessórios) sujeitos a desgaste e degradação natural, incluindo mas não se limitando a, Kits de Assistência e Manutenção, escovas de carvão, rolos, bucha, acessórios ou recepções de brocas SDS, cabos eléctricos, pegas auxiliares, estojos de transporte, placas de lixagem, sacos de poeiras, tubos de saída de poeiras, anilhas de feltro, pinos e molas da aparafusadora de impacto, etc.
- Para assistência, o produto tem de ser enviado para, ou apresentado em, um posto de assistência autorizado RYOBI, conforme listado para cada país na lista de moradas de postos de assistência seguinte. Nalguns países, o seu concessionário RYOBI local encarrega-se de enviar o produto para a organização de assistência RYOBI. Quando enviar um produto para um posto de assistência RYOBI, o produto deve ser embalado de forma segura, sem conter nenhuns conteúdos perigosos (por exemplo, gasolina), marcado com o endereço do remetente e acompanhado por uma breve descrição da avaria.
- Uma reparação/substituição ao abrigo desta garantia é gratuita. Não constitui um prolongamento a, nem um novo início de, o período da garantia. As peças ou ferramentas substituídas tornam-se propriedade nossa. Nalguns países, o remetente terá de pagar os custos de entrega ou a remessa postal. Os seus direitos previstos por lei resultantes da compra da ferramenta mantêm-se inalterados
- Esta garantia é válida na Comunidade Europeia, Suíça, Islândia, Noruega, Liechtenstein, Turquia e Rússia. Fora destas áreas, entre em contacto com o seu concessionário autorizado RYOBI para determinar se existe outra garantia aplicável.

CENTRO DE ASSISTÊNCIA AUTORIZADO

Para encontrar um centro de assistência autorizado próximo de si, visite <http://pt.ryobitools.eu/header/service-and-support/service-agents>.

DA RYOBI® BETINGELSER FOR GARANTI

Udover lovbestemte rettigheder, som resulterer af købet, er dette produkt dækket af en garanti, som anført herunder.

- Garantiperioden er 24 måneder for forbrugere og begynder på den dato, som produktet blev købt. Denne dato skal dokumenteres af en faktura eller andet bevis for køb. Produktet er udelukkende designet og dedikeret til forbrugere og privat brug. Så der ydes ingen garanti i tilfælde af professionel eller kommerciel brug.
- Der er en mulighed for at forlænge garantiperioden for en del af udvalget af elværktøj (AC/DC), hen over den ovenfor beskrivne periode vha. registrering på hjemmesiden www.ryobitools.eu. Bortsettelse af værktøjet til forlængelse af garantiperioden er tydeligt vist i butikker og/eller på emballage/og indeholdt i produktokumentationen. Slutbrugeren skal registrere hans/hendes nyligt indkøbte værktøj online indenfor 30 dage efter købsdatoen. Slutbrugeren kan registrere sig for den forlængede garanti i sit land, hvis han/hun er opført på den online registreringsformular, hvor denne mulighed er gyldig. Derudover skal slutbrugere give deres samtykke til at opbevare data, som er påkrævet at indtaste online, og de er nødt til at acceptere vilkår og betingelser. Registreringsbekræftelseskvitteringen, som sendes ud på e-mail, og den originale faktura, som viser købsdatoen, vil fungere som bevis for den forlængede garanti.
- Garanti dækker alle defekter, som et produkt måtte have i løbet af garantiperioden, og som skyldes produktionsfejl eller materialefejl på købsdatoen. Garantien er begrænset til reparation og/eller udfiskning og inkluderer ikke andre forpligtelser, inklusiv men ikke begrænset til tilfældige skader eller følgeskader. Garantien er ugyldig, hvis produktet er blevet misbrugt, brugt uden at overholde vejledningen, eller det er blevet forkert tilsluttet. Denne garanti gælder ikke:
 - Beskadigelse af produktet, som er et resultat af uegnet vedligeholdelse
 - Et produkt der er blevet ændret eller modificeret
 - Et produkt hvor de originale identifikationsmærkninger (varemærke, serienummer) er blevet ødelagt, ændret eller fjernet.
 - Enhver beskadigelse forårsaget af manglende overholdelse af vejledningen
 - Ethvert ikke CE-produkt
 - Ethvert produkt som er blevet forsøgt repareret af en ukvalificeret professionel eller uden tidligere autorisation af Techtronic Industries.
 - Ethvert produkt som er tilsluttet uegnet strømforsyning (ampere, spænding, frekvens)
 - Enhver skade forårsaget af ekstern påvirkning (kemisk, fysisk, chok) eller fremmedelementer
 - Normal slid på reservedele
 - Uegnet brug, overbelastning af værktøjet
 - Brug af ikke-godkendt tilbehør eller dele
 - Elværktøjstilbehør som leveres med værktøjet eller købes separat. Sådanne undtagelser inkluderer men er ikke begrænset til skruetrækkerbits, bor, bits, slibeskiver, sandpapir og klinger, sidestyrt
 - Komponenter (dele og tilbehør) som er udsat for naturligt slid og ælde, inklusiv men ikke begrænset til Service- og vedligeholdelsessæt, kulbrøster, lejer, bøsninger, påsætning eller modtagelse af SDS-bor, El ledning, hjælpehåndtag, transporttaske, sandplade, støvpose, støvudstødningslange, filtskiver, nåle og fjedre slagngøle etc.
- For eftersyn skal produktet sendes til eller præsenteres for en RYOBI-autoriseret service værksted, som er oplyst for hvert land i den følgende liste over service værksted adresser. I nogle lande påtager din lokale RYOBI-forhandler sig ansvaret for at sende produktet til RYOBI-serviceorganisationen. Når et produkt sendes til en RYOBI-service værksted, skal det pakkes sikkert ind uden noget farligt indhold som benzin, mærkes med afsenderens adresse og med en kort beskrivelse af fejlen.
- En reparation/erstatning under denne garanti er gratis. Den udgør ikke en forlængelse eller en ny start på garantiperioden. Udvekslede dele eller værktøjer bliver vores ejendom. I nogle lande skal leveringsafgifter eller porto betales af afsenderen. Dine lovbestemte rettigheder i forbindelse med købet forbliver uanfægtede
- Denne garanti gælder i EU, Schweiz, Island, Norge, Liechtenstein, Tyrkiet og Rusland. Udenfor disse områder bedes du kontakte din autoriserede RYOBI-forhandler for at afgøre, om en anden garanti gælder.

AUTORISERED E SERVICE/VERKSTEDER

Find nærmeste autoriserede serviceværksted på <http://dk.ryobitools.eu/header/service-and-support/service-agents>.

SV RYOBI® ANVÄNDNINGSVILLKOR FÖR GARANTI

Förutom eventuella lagstadgade rättigheter som uppstår genom köpet, täcks den här produkten av en garanti som anges nedan.

1. Garantiperioden är 24 månader för konsumenter och börjar gälla från det datum då produkten köptes. Detta datum måste dokumenteras på en faktura eller annat köpbevis. Produkten är utformad och avsedd för konsumenter och privat bruk. Därmed tillhandahålls ingen garanti vid yrkesmässigt eller kommersiellt bruk.
2. Det finns möjlighet att förlänga garantiperioden för en del av utbudet för elverktyg (AC/DC) under den period som anges ovan genom att använda registreringen på webbplatsen www.ryobitools.eu. De verktyg som är berättigade till en förlängning av garantiperioden visas tydligt i butiker och/eller på förpackningen/och anges i produktdokumentationen. Slut användaren behöver registrera hans/hennes nyförvävade verktyg online inom 30 dagar från köpdatumet. Slut användaren kan registrera sig för den förlängda garantin i det land där han/hon bor om landet finns angivet i registreringsformuläret online och där detta alternativ är giltigt. Dessutom måste slut användaren ge sitt medgivande till lagring av data vilket krävs vid registrering online samt acceptera villkoren. Bekräftelsekvittot för registreringen som skickas ut via e-post och originalfakturan som visas köpdatumet kommer att gälla som bevis för den förlängda garantin.
3. Garantin täcker alla produktdefekter under garantiperioden som beror på brister i utförande eller material vid köpdatumet. Garantin är begränsad gällande reparation och/eller utbyte och inkluderar inte några skyldigheter inklusive men inte begränsat till oförutsedda skador eller följskador. Garantin är inte giltig om produkten har missbrukats, använts i strid med bruksanvisningen eller inte anslutits på rätt sätt. Denna garanti täcker inte:
 - eventuella skador på produkten som uppstått till följd av felaktigt underhåll
 - produkter som har ändrats eller modifierats
 - produkter där ursprungliga identifieringsmärkningar (varumärke, serienummer) har målats över, ändrats eller tagits bort
 - eventuella skador som uppstått till följd av att bruksanvisningen inte efterföljts
 - alla icke CE-produkter
 - eventuella produkter som har försökts repareras av en icke-kvalificerad yrkesman eller utan föregående medgivande från Technronic Industries.
 - eventuella produkter som anslutits till felaktig strömförsörjning (ampere, volt, frekvens)
 - eventuella skador som uppstått till följd av yttre påverkan (kemisk, fysisk, stöt) eller främmande ämnen
 - normalt slitage av reservdelar
 - olämplig användning, överbelastning av verktyget
 - användningen av icke-godkända tillbehör eller delar
 - tillbehör till elverktyg som medföljde verktyget eller köpts separat. Sådana undantag inkluderar men är inte begränsat till skruvmejselbits, borrbits, slipskiver, sandpapper, blad och sidoskena
 - Komponenter (delar och tillbehör) är föremål för naturligt slitage, inklusive men inte begränsat till service- och underhållsatsar, kolborstar, kullager, chuck, tillbehör eller tillhörande SDS-borrbitt, strömladd, hjälphandtag, transportväska, slipplatta, dammpåse, dammtullblåsar, filterbrickor, stift och fjädrar till mutterdragare osv.
4. Vid service måste produkten skickas eller uppvisas för en RYOBI- auktoriserad servicestation som står angiven för varje land i följande adresslista över servicestationer. I vissa länder tar din lokala RYOBI- återförsäljare på sig ansvaret att skicka produkten till RYOBI- serviceorganisationen. När en produkt skickas till en RYOBI- servicestation, ska produkten paketeras säkert utan något färligt innehåll såsom bensin, markeras med avsändarens adress samt en kort beskrivning av felet.
5. En reparation/ett utbyte under denna garanti är kostnadsfri. Det utgör inte en förlängning eller förnyelse av garantiperioden. Utbyta delar eller verktyg blir vår egendom. I vissa länder måste leveranskostnader eller porto betalas av avsändaren. Dina lagstadgade rättigheter som härrör från köpet av verktyget förblir opåverkade
6. Denna garanti är giltig i Europeiska gemenskapen: Schweiz, Island, Norge, Liechtenstein, Turkiet och Ryssland. Utanför dessa länder, kontakta din auktoriserade RYOBI-återförsäljare för att avgöra om en annan garanti gäller.

AUKTORISERAT SERVICECENTER

Du hittar närmaste auktoriserade servicecenter genom att gå till <http://se.ryobitools.eu/header/service-and-support/service-agents>.

FI RYOBI®-TAKUUN SOVELTAMISEHDOT

Tällä tuotteella on oston luomien lakisäasteiden oikeuksien ohella alla mainitun mukainen takuu.

1. Takuun kesto on kuluttajille 24 kuukautta ja takuuaika alkaa tuotteen ostopäivästä. Tämän päivämäärän tulee lukea laskussa tai muussa ostotositteessa. Tuote on suunniteltu ja tarkoitettu vain kuluttajien ja yksityiseen käyttöön. Takuu ei sisäytä ammatti- eikä kaupallista käyttöä.
2. Joidenkin sähkötyökalujen (AC/DC) takuun kesto on mahdollista laajentaa yllä mainittua kestoä pidemmäksi verkkosivuston www.ryobitools.eu rekisteröinnin kautta. Työkalujen kelppoisuus takuujakson laajennukseen näkyy selkeästi myymälöissä ja/tai pakkauksissa ja/ tai tämä tieto sisältyy tuotedokumentaation. Loppukäyttäjän täytyy rekisteröidä vasta hankitut työkalut internetissä 30 päivän kuluessa ostopäivämäärästä. Loppukäyttäjät voi rekisteröidä laajennettun takuun kotimaassaan, jos se on luetteluna online-rekisteröintilomakkeessa, jossa mainitaan, missä tämä vaihtoehto on voimassa. Loppukäyttäjien täytyy lisäksi hyväksyä tietojen tallennus, jotka heidän täytyy antaa online-tilassa sekä ehdot. Rekisteröinnin vahvistuskuitti, joka lähetetään sähköpostitse, ja alkuperäinen ostopäivämäärän ilmaiseva lasku toimivat laajennettun takuun tositteina.
3. Takuu kattaa kaikki tuotteeseen takuuaikana tulevat viat, joiden aiheuttajina ovat tuotteessa ostopäivänä olleet valmistus- tai materiaali viat. Takuu on rajoitettu korjaukseen ja/tai vaihtoon eikä se sisällä mitään muuta velvoitteita mukaan lukien satunnais- ja seuranaisvahinkoja, mutta rajoittumatta niihin. Takuu ei päde, jos tuotetta on käylytty väärin, käyttöohjeen vastaisesti tai jos se on liitetty virheellisesti. Tämä takuu ei kata:
 - virheellisestä huollosta johtuvia vaurioita
 - muunnettua tai muutettua tuotetta
 - tuotetta, jonka alkuperäiset tunnistemerkinnät (tavaramerkki, sarjanumero) on turmeltu, muutettu tai poistettu
 - tämän käyttöoppaan laiminlyönnistä johtuvia vaurioita
 - ei-CE-tuotetta
 - tuotetta, jota on yrittänyt korjata epäpätevä ammattilainen tai joka on korjattu ilman Technronic Industriesin emakkoluopaa.
 - tuotetta, joka on liitetty virheelliseen tehohäälteeseen (ampeirit, jännite, taajuus)
 - ulkoisten vaikutusten (kemiallinen, fyysinen, iskut) tai vieraiden aineiden aiheuttamaa vauriota
 - normaaleja kuluvia varaosia
 - virheellistä käyttöä, työkalun ylikuormitusta
 - ei-hyväksytyjen tarvikkeiden tai osien käyttöä
 - sähkötyökalun tarvikkeita, jotka on toimitettu työkalun mukana tai ostettu erikseen. Poissuljettuja osia ovat ruuvausterät, poranterät, hiomalaikat, hiekkapaperi ja terät, sivuohjain, näihin kuitenkaan rajoittumatta
 - Luonnollisesti kuluvia komponentteja (osia tai tarvikkeita), joihin sisältyvät huolto- ja kunnossapitoset, hiiliharjat, laakerit, terästäkat, SDS-porien kiinnitin tai istukka, virtajohto, apukahva, kuljetuskotelo, hiomalaikka, pölypussi, pölynpoistoputki, huopatiivisteet, iskunvääntimen pultit ja jouset yms. näihin kuitenkaan rajoittumatta.
4. Tuote on lähetettävä huollettavaksi valtuutettuun RYOBI-huoltoon tai näytettävä siellä. Niiden osoitteet kussakin maassa löytyvät seuraavasta luettelosta. Joissakin maissa paikallinen RYOBI-jälleenmyyjä huolehtii tuotteen lähetyksestä RYOBI-huolto-organisaatioon. Kun tuote lähetetään RYOBI-huoltoon, se täytyy pakata hyvin ilman vaarallisia aineita, kuten polttoainetta, ja pakkaukseen täytyy merkitä lähettäjän nimi sekä vain lyhyt kuvaus.
5. Takuun kattama korjaus/vaihto on maksuton. Se ei tarkoita takuuaajan laajennusta tai alkamista alusta. Vaihdetut osat tai työkalut siirtyvät valmistajan omistukseen. Joissakin maissa lähettäjän täytyy maksaa lähetyskustannukset tai postikulut. Työkalun oston luomat lakisäasteiset oikeudet pysyvät koskemattomina
6. Tämä takuu on voimassa Euroopan yhteisössä, Sveitsissä, Islannissa, Norjassa, Liechtensteinissa, Turkissa ja Venäjällä. Ota näiden alueiden ulkopuolella yhteyttä omaan valtuutettuun RYOBI-jälleenmyyjään ja selvitä, onko jotain muuta takuuta.

VALTUUTETTU HUOLTO

Voit etsiä lähimmän valtuutetun huollon sivulta <http://fi.ryobitools.eu/header/service-and-support/service-agents>.

NO RYOBI® GARANTIBETINGELSER

I tillegg til eventuelle lovbestemte rettigheter som følger av kjøpet, er dette produktet dekket av en garanti som angitt nedenfor.

1. Garantiperioden er 24 måneder for konsumenter og gjelder fra den datoen som produktet ble kjøpt. Denne datoen skal dokumenteres med en faktura eller annet kjøpsbevis. Produktet er designet og beregnet kun til konsument- og privat bruk. Så det gis ingen garanti ved profesjonell eller kommersiell bruk.
2. For en del av utvalget av elektriske verktøy (AC/DC) er det mulighet til å utvide garantiperioden i den perioden som er beskrevet ovenfor ved bruk av registreringer på nettsidene www.ryobitools.eu. Kvalifisering av verktøyene for en utvidelse av garantiperioden er tydelig vist i butikker og/eller på pakningen / og finnes innen produktdokumentasjonen. Sluttbrukeren må registrere sine nylig anskaffede verktøy online innen 30 dager etter kjøpsdato. Sluttbrukeren kan registrere seg for den utvidede garantien i sitt land hvis det er opplistet på online registreringsskjemaet der dette alternativet er gyldig. Videre må sluttbrukere gi sitt samtykke til oppbevaring av dataene som kreves for å gå online, og de må godta vilkår og betingelser. Registreringsbekreftelsen, som sendes ut på e-post, og den originale fakturaen som viser kjøpsdato, vil tjene som bevis for den utvidede garantien.
3. Garantien dekker alle defekter i produktet under garantiperioden på grunn av defekter i utførelse eller materiale på kjøpsdato. Garantien er begrenset til å reparere og/eller erstatte og inkluderer ikke noen andre forpliktelser, inkludert, men ikke begrenset til, tilfældige eller følgesmessige skader. Garantien er ikke gyldig hvis produktet har blitt misbrukt, brukt på annen måte enn det som beskrives i bruksanvisningen eller er koblet til på feil måte. Denne garantien gjelder ikke for:
 - enhver skade på produktet som er resultat av utlilskrekkelig vedlikehold
 - ethvert produkt som har blitt endret eller modifisert
 - ethvert produkt der de originale identifiseringsmerkene (varemerke, serienummer) har blitt uleselig, er endret eller fjernet
 - enhver skade som forårsakes av ikke-overholdelse av instruksjonshåndboken
 - ethvert ikke-CE-produkt
 - ethvert produkt som har blitt forsøkt reparert eller av en ikke-kvalifisert fagperson eller uten tidligere autorisasjon fra Techtronic Industries.
 - ethvert produkt tilkoblet feil strømforsyning (ampere, spenning, frekvens)
 - enhver skade som er forårsaket av eksterne påvirkninger (kjemiske, fysiske, støt) og fremmede stoffer
 - normal slitasje og sliresesvedeler
 - feil bruk, overbelastning av verktøyet
 - bruk av ikke-godkjent tilbehør eller deler
 - Elektrisk verktøytlibehør levert med verktøyet eller kjøpt separat. Slike ekskluderinger, inkludert, men ikke begrenset til skrutrekkerbits, drillbits, slipeplater, sandpapir og blader, lateral føring
 - Komponenter (deler og tilbehør) som er utsatt for naturlig slitasje, inkludert, men ikke begrenset til service- og vedlikeholdssett, karbonborster, lagre, chuck, SDS-borrbifeste eller -mottak, strømledning, hjelpehåndtak, transportbæreske, sandingsplate, støvpose, støvutslippsrør, filtpakninger, støtnøkkelpinner og fjær, osv.
4. For service må produktet sendes eller fremlegges for en RYOBI-autorisert servicestasjon opplistet for hvert land i den følgende listen over servicestasjonsadresser. I noen land sender den lokale RYOBI-forhandleren produktet til RYOBI serviceorganisasjonen. Ved å sende et produkt til en RYOBI servicestasjon skal produktet være sikkert pakket uten noe farlig innhold, slik som bensin, merket med senderens adresse og fulgt av en kort beskrivelse av feilen.
5. En reparasjon/erstatning under denne garantien er gratis. Den utgjør ingen forlengelse eller ny start av garantiperioden. Utvekslede deler eller verktøy blir vår eiendom. I noen land vil leveringskostnader eller frankering måtte betales av senderen. Dine lovbestemte rettigheter som oppstår fra kjøp av verktøyet forblir uberørt.
6. Denne garantien er gyldig i EU, Sveits, Island, Norge, Liechtenstein, Tyrkia og Russland. Utenfor disse områdene ta kontakt med din autoriserte RYOBI-forhandler om en annen garanti gjelder.

AUTORISERT SERVICESENTER

For å finne et autorisert servicecenter i nærheten, gå til <http://no.ryobitools.eu/header/service-and-support/service-agents>.

RU УСЛОВИЯ ПРИМЕНЕНИЯ ГАРАНТИИ НА ПРОДУКЦИЮ RYOBI®

Помимо законных прав, возникающих при покупке, данное изделие покрывается гарантией в соответствии с приведенными ниже пунктами.

1. Гарантийный период для покупателя составляет 24 месяца с даты покупки изделия. Дата покупки должна быть подтверждена полностью заполненным гарантийным талоном и чеком о покупке. Данное изделие предназначено только для частного использования покупателем. Поэтому гарантия не распространяется на использование в профессиональных или коммерческих целях.
2. Предусмотрена возможность продления для части изделий линейки электроинструментов (AC/DC) гарантийного периода с помощью регистрации на сайте www.ryobitools.eu. Право инструмента на продление гарантийного периода четко указано в магазинах и / или на упаковке / и содержится в сопутствующей инструменту документации. Конечный пользователь должен зарегистрировать свой приобретенный инструмент в течение 30 дней с даты покупки. Конечный пользователь может зарегистрировать свой инструмент на продление гарантии в стране своего проживания, если она указана в форме онлайн-регистрации. Кроме того, конечный пользователь должен дать свое согласие на хранение данных, которые необходимо ввести в онлайн-форму и принять правила и условия. Подтверждение регистрации, которое вы получите по электронной почте, заполненный гарантийный талон и оригинальный чек, в котором указана дата покупки, будут служить доказательством продленной гарантии.
3. Гарантия покрывает в течение гарантийного периода все дефекты качества или материала изделия на дату покупки. Гарантия ограничена ремонтом и / или заменой и не включает никакие другие обязательства, включая, но не ограничиваясь случайными или косвенными убытками. Гарантия становится недействительной, если изделие использовалось не по назначению, вопреки инструкциям, данным в Руководстве пользователя или было неправильно подключено. Настоящая гарантия не распространяется на:
 - любые повреждения изделия в результате неправильного технического обслуживания или недостаточного ухода за инструментом
 - любые изделия, подвергшиеся изменениям и модификации
 - любые изделия, оригинальные идентификационные отметки которого (торговая марка, серийный номер) были повреждены, изменены или удалены
 - любые повреждения, вызванные несоблюдением инструкций Руководства пользователя
 - любые изделия, не сертифицированные маркировкой "CE" для продажи в Европейском союзе
 - любые изделия, подвергшиеся попыткам ремонта неквалифицированным работником или без предварительного утверждения компанией Techtronic Industries.
 - любые изделия, подключенные к неправильному источнику питания (сила тока, напряжение, частота)
 - любые повреждения, вызванные внешними воздействиями (химические, физические, удары) или посторонними веществами
 - естественный износ запасных деталей
 - несоответствующее использование, перегрузка инструмента
 - использование неутвержденных аксессуаров и неофициальных запасных частей
 - аксессуары электроинструментов, поставляемые с инструментом или приобретаемые отдельно. К этому списку относятся, но не исчерпывают его: сверла шуруповертов, дрелей, абразивные диски, наждачная бумага, лезвия и боковые направляющие компоненты (детали и аксессуары), подверженные естественному износу и разрыву, включая, но не ограничиваясь наборы для технического обслуживания, угольные щетки, подшипники, патроны, переходники SDS, кабели питания, дополнительные ручки, футляры для транспортировки, шифовальные подошвы, пылесборники, трубки для отвода пыли, войлочные шайбы, штыри и пружины ударных ключей и др.
4. Для проведения технического обслуживания изделие следует направлять в авторизованные сервисные центры RYOBI, указанные для каждой страны в приведенном ниже списке адресов станций сервисного обслуживания. В некоторых странах местные дилеры RYOBI отправляют изделия в сервисные организации RYOBI. При отправке изделия в сервисный центр RYOBI, изделие должно быть безопасно упаковано и не содержать никаких опасных веществ, таких как бензин, должен быть подписан адрес отправителя и сопровождаться кратким описанием неисправности.
5. Ремонт / замена проводится в рамках настоящей гарантии бесплатно. Он не продлевает гарантию и не начинает новый гарантийный период. Заменяемые детали и инструменты становятся нашей собственностью. В некоторых странах отправитель должен оплачивать стоимость отправки. Ваши законные права, возникшие при покупке инструмента, остаются неизменными.
6. Данная гарантия действительна в Европейском Союестве, Швейцарии, Исландии, Норвегии, Лихтенштейне, Турции и России. Вне указанных территорий обращайтесь к своему авторизованному дилеру RYOBI, чтобы узнать, применяются ли условия каких-либо других гарантий.

УПОЛНОМОЧЕННЫЙ СЕРВИСНЫЙ ЦЕНТР

Чтобы найти ближайший уполномоченный сервисный центр, обратитесь к веб-сайту <http://ru.ryobitools.eu/header/service-and-support/service-agents>.

PL WARUNKI GWARANCJI RYOBI®

Oprócz praw ustawowych wynikających z zakupu produkt jest objęty gwarancją, której warunki podano poniżej.

1. Okres gwarancyjny wynosi 24 miesiące dla konsumentów i rozpoczyna się w dniu zakupu produktu. Datę zakupu należy udokumentować fakturą lub innym dowodem zakupu. Produkt został zaprojektowany i jest przeznaczony do użytku konsumenckiego i prywatnego. W związku z tym gwarancja nie obejmuje zastosowań profesjonalnych i komercyjnych.
2. Istnieje możliwość wydłużenia okresu gwarancyjnego dla części asortymentu narzędzi ręcznych z napędem mechanicznym (AC/DC) poprzez zarejestrowanie produktu na stronie internetowej www.ryobitools.eu. Kwalifikowalność narzędzi do wydłużenia okresu gwarancyjnego jest wyraźnie określona w sklepach i/lub na opakowaniu oraz w dokumentacji produktu. Użytkownik końcowy musi zarejestrować nowo kupione narzędzia online w ciągu 30 dni od daty zakupu. Użytkownik końcowy może zarejestrować się w celu przedłużenia gwarancji w swoim kraju zamieszkania, jeżeli jest on wymieniony w formularzu rejestracji online, gdzie opcja ta obowiązuje. Ponadto użytkownicy końcowi muszą wyrazić zgodę na przechowywanie danych, wprowadzanych na stronie internetowej i zaakceptować regulamin. Dowodem wydłużenia gwarancji jest wysłane pocztą elektroniczną potwierdzenie rejestracji i oryginał faktury potwierdzającej datę zakupu.
3. Gwarancja obejmuje wszystkie wady produktu ujawnione w okresie gwarancyjnym wynikające usterek wykonania lub materiału obecnego w dniu zakupu. Gwarancja jest ograniczona do naprawy i/lub wymiany i nie obejmuje żadnych innych zobowiązań, w tym między innymi odpowiedzialności za szkody przypadkowe lub wtórne. Gwarancja nie obowiązuje, jeżeli produkt był nieprawidłowo używany, używany niezgodnie z instrukcją lub nie był prawidłowo podłączony. Gwarancja nie obejmuje:
 - uszkodzenia produktu wynikającego z nieprawidłowej konserwacji,
 - produktu, który został zmieniony lub zmodyfikowany,
 - produktu, którego oryginalne oznaczenie (znak towarowy, numer seryjny) zostało zniszczone, zmienione lub usunięte,
 - jakiegokolwiek uszkodzeń wynikających z nieprzestrzegania instrukcji,
 - jakiegokolwiek produktu bez certyfikatu CE,
 - jakiegokolwiek produktu, który próbowano naprawić z pomocą niewykwalifikowanej osoby lub bez uzyskania wcześniejszej zgody firmy Techtronic Industries.
 - jakiegokolwiek produktu podłączonego nie prawidłowego źródła zasilania (nieprawidłowe napięcie prądu, napięcie, częstotliwość),
 - jakiegokolwiek uszkodzeń spowodowanych wpływem czynników zewnętrznych (chemicznych, fizycznych, drgań) lub substancji obcych,
 - normalnego zużycia części zamiennych,
 - nieprawidłowego użycia, przeciążenia narzędzia,
 - stosowania niezatwierdzonych akcesoriów lub części,
 - akcesoriów narzędzi ręcznych z napędem mechanicznym dostarczonych z narzędziem lub kupionych oddzielnie. Takie wykluczenia obejmują, między innymi, wymienne ostrza wkrętaka, wiertła, tarcze cierne, papier ścierny i ostrza, prowadnicę boczną.
 - elementów (części i akcesoriów) podlegających naturalnemu zużyciu obejmujących, między innymi, zestawy do konserwacji i serwisu, szczotki węglowe, łożyska, uchwyty, przystawkę wiertła SDS, gniazdo, przewód zasilania, uchwyty pomocnicze, skrzynię transportową, płytę szlifierską, worek pyłowy, rurę odprowadzania pyłu, podkładki filcowe, kolki i sprężyny klucza udarowego itp.
4. W celu serwisowania produkt należy wysłać lub okazać w autoryzowanym punkcie serwisowym RYOBI znajdującym się na przedstawionym poniżej wykazie punktów serwisowych w poszczególnych krajach. W niektórych krajach lokalny dystrybutor produktów RYOBI podejmuje się wysyłki produktu do centrum serwisowego RYOBI. W przypadku wysyłki do punktu serwisowego RYOBI produkt — pozbawiony jakiegokolwiek niebezpiecznych substancji, na przykład benzyny — należy bezpiecznie zapakować i dołączyć adres nadawcy oraz krótki opis usterek.
5. Naprawa/wymiana w ramach niniejszej gwarancji jest bezpłatna. Nie stanowi jednak o przedłużeniu lub rozpoczęciu od nowa biegu okresu gwarancyjnego. Wymienione części lub narzędzia stają się naszą własnością. W przypadku niektórych krajów nadawca będzie musiał uregulować koszty dostawy lub opłaty pocztowe. Prawa ustawowe wynikające z zakupu narzędzia pozostają niezmienione.
6. Niniejsza gwarancja obowiązuje w Unii Europejskiej, Szwajcarii, Islandii, Norwegii, Liechtensteinie, Turcji i Rosji. Poza tymi obszarami należy skontaktować się z autoryzowanym dostawcą produktów RYOBI i ustalić, czy obowiązuje inna gwarancja.

AUTORYZOWANY PUNKT SERWISOWY

Najbliższy autoryzowany punkt serwisowy można wyszukać w witrynie internetowej <http://pl.ryobitools.eu/header/service-and-support/service-agents>.

CS ZÁRUČNÍ PODMÍNKY RYOBI®

Kromě zákonných práv vyplývajících z koupě výrobku se na tento výrobek vztahuje také níže uvedeně záruka.

1. Záruční doba pro spotřebitele je 24 měsíců a začíná datem nákupu výrobku. Datum musí být zaznamenáno na fakturě nebo jiném dokladu o koupi. Tento výrobek je navržen a určen pouze pro soukromé účely spotřebitelů. Záruka se tedy nevztahuje na profesionální nebo komerční využití výrobku.
2. U některých elektrických nástrojů (AC/DC) je možné záruční dobu prodloužit. K tomu je nutná registrace na stránkách www.ryobitools.eu. Možnost prodloužení záruční doby výrobků je jasně uvedena v prodejních, popř. na obalech nebo v dokumentech o výrobku. Koncový uživatel musí svůj nový nástroj zaregistrovat online do 30 dnů od data nákupu. Koncový uživatel se může k prodloužení záruční doby zaregistrovat v zemi trvalého pobytu, pokud je tato uvedena na internetovém registračním formuláři u výrobku, kde je tato možnost dostupná. Koncoví uživatelé musí dále souhlasit s uložením osobních údajů, která musí zadat na internetu, a přijmout obchodní podmínky. E-mail s původní registrací a původní faktura s datem koupě poslouží jako důkaz o prodloužení záruce.
3. Záruka se vztahuje na veškeré vady na výrobku v rámci záruční doby způsobené výrobními vadami nebo vadami materiálu v době koupě. Záruka je omezena na opravu, popřípadě výměnu a nezahrnuje žádná další povinnosti, včetně mimo jiné vedlejších či následných odškodnění. Záruka neplatí při použití výrobku k nevhodným účelům, v rozporu s uživatelskou příručkou nebo při nesprávném zapojení. Záruka se nevztahuje na:
 - veškeré škody na výrobku způsobené nesprávnou údržbou
 - veškeré produkty, které byly pozměněny nebo upraveny
 - veškeré produkty, kde byly původní identifikační prvky (obchodní značka, sériové číslo) poničeny, pozměněny nebo odstraněny
 - veškeré škody způsobené nedodržením pokynů uživatelské příručky
 - veškeré produkty bez CE certifikace
 - veškeré produkty, které se pokusil opravit nequalifikovaný odborník nebo opravy bez předchozího svolení společnosti Techtronic Industries.
 - veškeré produkty zapojené do nesprávného elektrického zdroje (proud, napětí, frekvence)
 - veškeré škody způsobené externími vlivy (chemickými, fyzickými, nárazy) nebo cizími látkami
 - běžné opotřebování dílů
 - nevhodné použití, přetěžování nástroje
 - použití neschválených příslušenství nebo dílů
 - příslušenství k elektrickému nástroji poskytnuté s nástrojem nebo zakoupené samostatně. Tyto výjimky se vztahují mimo jiné na šroubovací bity, vrtáky, brusné disky, brusný papír a čepele, postranní vodič lišty
 - komponenty (díly a příslušenství) podléhající přirozenému opotřebování, včetně mimo jiné servisních sad, karbonových kartáčů, ložisek, sklíčidla, SDS nástavce na vrtací bity, napájecího kabelu, pomocné rukojeti, přepravního pouzdra, brusné desky, prachového vaku, výfukové prachové trubice, plstěných podložek, západek a pružin rážového utahákového trudu.
4. K provedení servisu musí být výrobek zaslán nebo předán do autorizovaného servisního centra společnosti RYOBI, jejichž adresy jsou uvedeny podle zemi v seznamu servisních center. V některých zemích z vás výrobek pošle servisní organizaci RYOBI sám prodejce výrobků této značky. Při zasílání výrobku do servisního centra RYOBI je potřeba výrobek bezpečně zabalit bez nebezpečného obsahu jako benzín, opatřit adresou odesílatele a přiložit krátký popis závady.
5. Oprava, popř. výměna v rámci této záruky je zdarma. Neznamená to prodloužení nebo začátek nové záruční lhůty. Vyměněné díly nebo nástroje přejdou do našeho vlastnictví. V některých zemích platí poštovné odesílatele. Vaše zákonná práva vyplývající z koupě tohoto nástroje zůstávají nedotčena.
6. Tato záruka platí v Evropském Společenství, Švýcarsku, Norsku, Lichtenštejnsku, Turecku, Rusku a na Islandu. Mimo tato území kontaktujte autorizovaného prodejce značky RYOBI, který zjistí, zda se na výrobek vztahuje jiná záruka.

POVĚŘENÉ SERVISNÍ STŘEDISKO

Pro nalezení nejbližšího pověřeného servisního střediska navštivte <http://cz.ryobitools.eu/header/service-and-support/service-agents>.

HU A RYOBI® GARANCIA ALKALMAZÁSÁNAK FELTÉTELEI

A vásárlásból adódó törvényben rögzített jogok mellett a termékre az alábbi garancia vonatkozik.

1. A fogyasztói garancia tartama 24 hónap, mely a termék vásárlásának napjával kezdődik. Ezt a dátumot számlával vagy a vásárlást igazoló egyéb dokumentummal kell bizonyítani. A termék rendeltetése csak fogyasztói és magáncéllú használathoz. Ezért professzionális vagy kereskedelmi használat esetén a garancia nem érvényes.
2. A szerszámgépek (egyenáramú/váltóáramú) egy részénél a garancia időtartama a www.ryobitools.eu weblapon regisztrálva meghosszabbítható. Az áruházakban, a csomagolásban, illetve a termék dokumentációjában egyértelműen jelezzük, hogy az adott termék garanciája meghosszabbítható-e. A végfelhasználónak a vásárlás dátumától számított 30 napon belül regisztrálnia kell az újonnan vásárolt szerszámot. A végfelhasználó akkor regisztrálhatja a kiterjesztett garanciára, ha az ország, ahol lakik, fel van sorolva az online regisztrációs űrlapon azon országok között, ahol választható ez az opció. Ezenkívül a végfelhasználónak bele kell egyeznie az online regisztrálás során szükséges adatok tárolásába, és el kell fogadnia a felhasználási feltételeket. A kiterjesztett garanciát a regisztráció beérkezésétől e-mailben küldött visszaigazolás és a vásárlás dátumát tartalmazó eredeti számla igazolja.
3. A garancia a termék vásárlásakor fennálló, a gyártás során keletkezett hibákra és anyaghibákra érvényes a garanciális időtartamon belül. A garancia csak a javításra/cserére korlátozódik, és nem terjed ki semmilyen egyéb kötelezettségre, nem kizárólagosan ideértve a véletlen vagy szándékos rongálást. A garancia nem érvényes, ha a terméket nem megfelelően, a használati utasításban foglaltakkal ellentétben, illetve nem megfelelően csatlakoztatva használták. A garancia nem vonatkozik:
 - a terméket a nem megfelelő karbantartás következtében ért károsodásra
 - megváltoztatott vagy átalakított termékre
 - olyan termékre, melyben az eredeti azonosítókat (védjegy, sorozatszám) megromlították, megváltoztatták vagy eltávolították
 - a használati utasítás be nem tartásából eredő kárra
 - CE jelöléssel nem rendelkező termékekre
 - olyan termékre, melyet nem képzett, illetve a Techtronic Industries által nem fejlesztett szerelvény javított
 - nem megfelelő (áramerősségű, feszültségű, frekvenciájú) áramforrásra csatlakoztatott termékre
 - külső (vegyi, fizikai, ütés) hatásokból vagy idegen anyagokból eredő károkkra
 - a cserélhető alkatrészek természetes kopására és elhasználódására
 - a szerszám helytelen használatára, túlterhelésére
 - nem jóváhagyott tartozékok és alkatrészek használatára
 - A szerszámmal adott vagy külön megvásárolt tartozékokra. Ilyenek például (de nem kizárólag) a csavarhűzőfejek, fúrószárak, csiszolókorongok, csiszolópapír, kések, oldallirányú terelők.
 - A természetes kopásnak, elhasználódásnak kitett alkatrészek és kiegészítők, például (de nem kizárólag) szerviz- és karbantartókészletek, szénkéfek, csapagyak, tokmány, SDS fúrószár csatlakozója, tápkábel, segédfogantyú, szállítók, csiszolólap, porzsák, porelvezető cső, filcaltátek, ütműves csavarbehajtó gép csapszege és rugója stb.
4. A terméket javításra el kell vinni egy meghatalmazott RYOBI szervizbe; ezeket az egyes országokhoz a következők listában találja. Egyes országokban a helyi RYOBI kereskedő vállalja a termék elszállítását a RYOBI szervizbe. A terméket veszélyes tartalom, például benzín nélkül csomagolja, a feladó címét feltüntetve, a hiba rövid leírásával együtt küldje el a RYOBI szervizbe.
5. A jelen garancia hatálya alatt végzett javítás, illetve csere ingyenes. Nem jelenti a garanciális időtartam újraindulását. A kicserélt alkatrészek és szerszámok a mi tulajdonunkba kerülnek. Egyes országokban a szállítás vagy postázás költségét a feladó viseli. A vevőnek a szerszám megvásárlásából adódó törvényes jogai nem változnak.
6. Jelen garancia az Európai Közösségben, Svájcban, Izlandon, Norvégiában, Liechtensteinben, Törökországban és Oroszországban érvényes. E területeken kívül kérdezze meg a RYOBI forgalmazót, hogy milyen garancia van érvényben.

HIVATALOS SZERVIZKÖZPONT

A legközelebbi hivatalos szervizközpont megtalálásához látogasson el a <http://hu.ryobitools.eu/header/service-and-support/service-agents>.

RO CONDIȚII DE APLICARE A GARANȚIEI PENTRU PRODUSELE RYOBI®

În plus față de condițiile statutare rezultate din achiziționarea acestui produs, acesta este acoperit de garanția stipulată mai jos.

1. Perioada de garanție este de 24 de luni pentru consumatori și începe de la data achiziționării produsului. Data de începere a garanției trebuie demonstrată cu o factură sau altă dovadă a cumpărării produsului. Produsul este destinat și conceput doar pentru utilizare în scopuri personale. Din acest motiv, nu se oferă garanție pentru utilizarea sa în scop profesional sau comercial.
2. Există posibilitatea de a extinde a perioadei de garanție pentru gama de unelte electrice (de CA/CC) peste perioada stipulată mai sus prin înscrierea produsului pe [website-ul www.ryobitools.eu](http://www.ryobitools.eu). Eligibilitatea pentru perioada de extindere a garanției este așiftată în mod clar în magazinele de vânzare și/sau pe ambalaj sau este inclusă în documentația livrată împreună cu produsul. Utilizatorul final este obligat să-și înregistreze produsul online în termen de maxim 30 de zile de la data achiziției acestuia. Utilizatorul final poate înregistra produsul pentru garanția extinsă oferită în țara sa de rezidență dacă aceasta este listată în formularul de înregistrare online și dacă această opțiune este validă. În plus, utilizatorul final trebuie să-și dea acordul pentru stocarea datelor personale solicitate la înregistrarea online și trebuie să accepte termenii și condițiile. Mesajul de confirmare a înregistrării, trimis prin e-mail și factura originală cu data achiziției vor dovedi perioada de garanție extinsă.
3. Garanția acoperă toate defecțiunile produsului survenite în perioada de garanție datorate defectelor de execuție sau materialelor folosite, începând cu data achiziției acestuia. Garanția este limitată la reparare și/sau înlocuire și nu include alte obligații, inclusiv, dar fără a se limita la daune accidentale sau rezultate pe cale de consecință. Garanția își pierde valabilitatea dacă produsul este utilizat necorespunzător, utilizat neconform cu instrucțiunile de utilizare din manualul cu instrucțiuni sau conectat incorect. Garanția nu se aplică în cazul:
 - oricărei defecțiuni survenite în urma întreținerii necorespunzătoare a produsului
 - oricărui produs alterat sau modificat
 - oricărui produs la care inscripțiile cu datele de identificare (marca comercială, numărul de serie) au fost șterse, modificate sau îndepărtate
 - oricărei defecțiuni datorate neconformării cu instrucțiunile din manualul de utilizare
 - oricărui produs necertificat CE
 - oricărui produs asupra căruia au fost efectuate tentative de reparare de către personal necertificat sau fără autorizație prealabilă din partea Techtronic Industries.
 - oricărui produs conectat la o sursă de alimentare necorespunzătoare (curent, tensiune, frecvență)
 - oricărui defecțiuni datorate unor influențe externe (chimice, fizice, socuri) sau substanțe străine
 - uzurii și fisurării normale a pieselor de rezervă
 - utilizării neadecvate, suprasolicitării uneltei
 - utilizării de piese și accesorii neaprobate
 - accesoriilor pentru unelți furnizate odată cu acestea sau achiziționate separat. Acestea sunt excluse și aplică, dar fără a se limita la următoarele: burghie, biți de șurubelniță, discuri abrazive, hârte abrazive și lame de tăiere, ghidaje laterale
 - Componentele (piese și accesorii) supuse uzurii normale, care includ, fără a se limita la, kituri de întreținere și service, perii de carbon, rulmenți, mandrină, adaptor pentru burghie SDS, cordon de alimentare, manere auxiliare, cutie de transport, placă pentru șlefuit, sac pentru praf, tub pentru evacuarea prafului, discuri de păsă, adaptoare și resorturi pentru cheile de strângere prin vibrație, etc.
4. Pentru efectuarea reparațiilor, produsul trebuie trimis sau adus la un centru de reparații autorizat RYOBI din lista următoare de centre de reparații prezentate pentru fiecare țară. În anumite țări, reprezentantul local RYOBI va trimite produsul spre reparare la sediul central de reparații RYOBI. Atunci când trimiteți produsul spre reparare la un centru de reparații RYOBI, acesta trebuie ambalat în siguranță, fără conținut periculos (cum ar fi benzina), marcat cu adresa expeditorului și însoțit de o scurtă descriere a defectului.
5. Repararea/inlocuirea în perioada de garanție este gratuită. Aceasta nu este însoțită de o prelungire sau o reinițiere a perioadei de garanție. Piesele sau uneltele schimbate devin proprietatea dvs. În anumite țări, taxele de expediție sau poștale vor fi suportate de expeditor. Drepturile dvs. statutare rezultate din achiziția produsului rămân neschimbate
6. Această garanție este valabilă în Comunitatea Europeană, Elveția, Islanda, Norvegia, Liechtenstein, Turcia și Rusia. În afara acestor zone, vă rugăm să contactați reprezentantul dvs. local RYOBI pentru a determina dacă se aplică alt tip de garanție.

CENTRU DE SERVICE AUTORIZAT

Pentru a găsi un centru de service autorizat lângă dvs., vizitați <http://uk.ryobitools.eu/header/service-and-support/service-agents>.

LV RYOBI® GARANTIJAS PIEMĒROŠANAS NOSACĪJUMI

Papildus jebkādām likumiskajām tiesībām, kuras rodas, veicot pirkumu, izstrādājums tiek nodrošināts ar tālāk tekstā noteikto garantiju.

1. Garantijas periods patērētājiem ir 24 mēneši, tā atskaitē tiek sākta no datuma, kurā veikta izstrādājuma iegāde. Šim datumam jābūt dokumentētam rēķinā vai citā pirkumu apliecināšā dokumentā. Izstrādājums ir radīts un paredzēts tikai patērētāja privātai lietošanai. Saistībā ar iepriekšminēto, garantija netiek nodrošināta profesionālas vai komerciālas lietošanas gadījumā.
2. Pastāv iespēja pagarināt daļas no elektroinstrumentu klāsta (Mainstrāvas/akumulatoru) garantiju ilgāk par iepriekš minēto periodu, izmantojot reģistrāciju interneta vietnē www.ryobitools.eu. Instrumenti, kas pakļauti garantijas perioda pagarināšanai, tiek skaidri apzīmēti veikalos un/vai uz iepakojuma un izstrādājumu komplektējošajā dokumentācijā. Gala lietotājam nepieciešams reģistrēt liegādāto jauno instrumentu 30 dienu laikā no pirkuma datuma. Gala lietotājs var reģistrēties pagarinātajai garantijai savā mītnes valstī, ja tā minēta tiesaisties reģistrācijas veidlapā, kurā šī iespēja ir aktīva. Bez tam, gala lietotājam ir jāsniedz piekrišana tiesaisties ievadīšanai nepieciešamo datu glabāšanai un jāpiekrīt noteikumiem un nosacījumiem. Reģistrācijas apstiprinājums, kas tiek nosūtīts, izmantojot e-pastu, un rēķina oriģināls, kurā norādīts iegādes datums, kalpo kā pagarinātās garantijas apstiprinājums.
3. Garantija attiecas uz visiem izstrādājuma defektiem garantijas periodā, kas saistīti ar ražošanas vai materiālu defektiem no pirkuma datuma. Šī garantija tiek ierobežota ar remontu un/vai nomainītu neietver jebkādas citas saistības, tajā skaitā, bet ne tikai, cēloņsakarīgos, mainītus vai noņemtus bojājumus. Garantija nav spēkā, ja izstrādājums ir nepareizi lietots, izmantots pretēji norādēm lietošanas rokasgrāmatā vai bijis nepareizi pieslēgts. Šī garantija netiek attiecināta uz:
 - jebkādiem izstrādājuma bojājumiem, kas radušies nepareizas uzturēšanas rezultātā
 - jebkuru izstrādājumu, kas ticis pārveidots vai mainīts
 - jebkuru izstrādājumu, kura oriģinālais identifikācijas (preču zīme, sērijas numurs) marķējums ir ticis nodzēsts, mainīts vai noņemts
 - jebkādiem bojājumiem, kuri radušies neievērojot norādes lietošanas rokasgrāmatā
 - jebkādam izstrādājumam bez CE sertifikācijas
 - jebkuru izstrādājumam, kura remontu mēģinājis veikt nekvalificēts personāls vai bez Technronic Industries iepriekšējas autorizācijas.
 - jebkuru izstrādājumam, kurš bijis pieslēgts neatbilstošu parametru (strāvas, sprieguma, frekvences) sprieguma avotam
 - jebkuriem bojājumiem, kuri radušies ārējas iedarbības (ķīmiskas, fiziskas, triecieni) vai vielu ietekmē
 - detaļu normāla lietošanas nodiluma rezultātā
 - nepareizas lietošanas vai instrumentu pārslodzes rezultātā
 - neapstiprinātu detaļu vai aprīkojuma lietošanas rezultātā
 - elektroinstrumentu aksesuāriem, kas atrodas instrumenta komplektācijā vai ir iegādāti atsevišķi. Šis izņēmums attiecināms uz, bet neaprobežojoties ar, skrūvgrīvju uzgaļiem, urbjiem, abrazīvajiem diskkiem, smilšpapīru un asmeņiem, sānu vadotnēm
 - komponentiem (daļām un aksesuāriem), kas pakļauti normālam nodilumam, ieskaitot, bet neaprobežojoties ar Servisa un apkopju komplekti, oglekļa sukuks, gultņi, patrona, SDS urbju uztverējiem vai uzlikas, elektrības vads, papildus rukturis, transportēšanas un pārnēsāšanas kaste, stipmašīnas plāksne, putekļu maisis, putekļu izvadīšanas caurule, paplākšņi, triecienatslēgu tapas un atsperes, u.t.t.
4. Servisa nodrošināšanai, izstrādājums ir jānodod pilnvarotā RYOBI servisa centrā, kas norādīts katrai valstij tālāk minētajā servisa centru adresē sarakstā. Dažās valstīs jūs vietējais RYOBI izplatītājs uzņemas izstrādājuma nosūtīšanu uz RYOBI servisa organizāciju. Nosūtīt izstrādājumu uz RYOBI servisa centru, izstrādājuma jābūt droši iepakotam, tas nedrīkst saturēt bīstamas vielas kā degvielu, sūtfūjumam jābūt marķētam ar sūtfūta adresi un īsu kļūmes aprakstu.
5. Remonts/nomainīta šīs garantijas ietvaros ir bezmaksas. Tas nerada garantijas perioda pagarināšanu vai jaunu garantiju. Nomainītās daļas vai instrumentu kļūst par mūsu īpašumu. Dažās valstīs piegādes vai pasta izmaksas būs jāapmaksā sūtfūtam. Jūsu likumiskās tiesības, kas nodibinās, iegādājoties instrumentu, paliek nemainīgas
6. Šī garantija ir spēkā Eiropas Kopienā, Šveicē, Islandē, Norvēģijā, Līhtenšteinā, Turcijā un Krievijā. Ārpus šīm teritorijām, lūdzu, sazinieties ar jūsu pilnvaroto RYOBI izplatītāju, lai noteiktu, vai ir piemērojama cita garantija.

AUTORIZĒTS APKALPOŠANAS CENTRS

Lai atrastu tuvāko autorizēto apkalošanas centru, apmeklējiet <http://uk.ryobitools.eu/header/service-and-support/service-agents>.

LT „RYOBI®“ GARANTIJOS TAIKYMO SĄLYGOS

Papildant bet kokias įstatybose numatytas perkanat atsirandančias teises, šiam įrenginiui taikoma toliau nurodyta garantija.

1. Vartotojams suteikiama 24 mėnesių trukmės garantija nuo įrenginio įsigijimo datos. Ši data turi būti nurodyta sąskaitoje faktūroje ar kitame pirkimą įrodančiame dokumente. Šis įrenginys skirtas tik vartotojų rinkai ir asmeniniam naudojimui. Todėl garantija netaikoma, jei įrenginys naudojamas profesiniams ar komerciniams reikmėms.
2. Įsigijus tam tikrus elektrinius įrenginius (AC/DC), suteikiama galimybė pratęsti garantiją, kad ji galiojūt ilgiau, nei nurodyta pirmiau, naudojantis registracija interneto svetainėje www.ryobitools.eu. Ar galima pratęsti įrenginio garantinį laikotarpį, aiškiai nurodoma praduotuvėse ir (arba) ant įrenginio pakuočės, ir (arba) įrenginio dokumentuose. Galutinis naudotojas turi užregistruoti savo naujai įsigytą įrenginį per 30 dienų nuo įsigijimo datos. Galutinis naudotojas gali registruotis išplėstinei garantijai savo gyvenamojoje šalyje, jei ji nurodyta internetinėje registracijos formoje, kurioje siūloma tokia galimybė. Be to, galutiniai naudotojai turi sutikti su duomenų, kuriuos reikia įvesti internetu, saugojimu ir sveatinės naudojimo sąlygomis. Kaip išplėstinės garantijos įrodymas naudojamas registracijos patvirtinimo kvitas, atsiunčiamas e. paštu, ir originali sąskaita faktūra, kurioje nurodyta įsigijimo data.
3. Ši garantija apima visus garantiniu laikotarpiu aptiktus įrenginio trūkumus, atsiradusius dėl gamybos arba medžiaginių defektų nuo įsigijimo datos. Ši garantija nįbjoama remontu ir (arba) pakeitimu, ji neapima jokių kitų įsipareigojimų, įskaitant (bet tuo neapsiribojant) šaltinius arba antrinius naudotojus. Garantija anuliuojama, jei įrenginys buvo naudojamas netinkamai, naudojamas ne pagal naudojimo instrukciją arba netinkamai prijungtas. Ši garantija netaikoma:
 - jokiai įrenginiui padarytai žalai, kurią lemė netinkama techninė priežiūra;
 - jokiam įrenginiui, kuris buvo keičiamas ar modifikuojamas;
 - jokiam įrenginiui, kurio originalūs identifikavimo ženklai (prekės ženklas, serijos numeris) buvo sugadinti, pakeisti arba pašalinti;
 - jokiai žalai, kurią lemė naudojimo instrukcijos nesilaikymas;
 - jokiems CE ženklų nepažymėtiems įrenginiams;
 - jokiam įrenginiui, kurį bandė remontuoti nekvalifikuoti asmenys arba kuris buvo remontojamas be „Technronic Industries“ leidimo;
 - jokiam įrenginiui, kuris buvo prijungtas prie netinkamo maitinimo tinklo (netinkamos srovės, įtampos, dažnio);
 - jokiai žalai, kurią lemė išorinis poveikis (cheminis, fizinis, smūgiai) arba pašalinės medžiagos;
 - dėvimosios dalimis;
 - netinkamam naudojimui, įrenginio perkrovai;
 - nepatvirtintų priedų arba dalių naudojimui;
 - su įrenginiu pateiktiems arba atskirai įsigytiems elektrinio įrenginio priedams. Šios išimty apima (tuo neapsiribojant) atsektuvų antgalius, gražtų antgalius, šlifavimo diskus, švitrinį popierių ir geležtes, šoninį kreiptuvą;
 - komponentams (dalims ir priedams), kurie natūraliai dėviis, įskaitant (bet tuo neapsiribojant) įprastines ir technines priežiūros rinkinius, anglinius šepetėlius, guolius, laikiklį, SDS gražtų antgalii priedą arba lizdą, maitinimo kabelį, pagalbini rankena, nešiojimo dėklą, šlifavimo diską, maišelį dulkmėms, dulkių ištraukimo vamzdelį, foto poveržles, smūginio veržliarakčio kaiščius ir spyruokles ir pan.
4. Prireikus atlikti priežiūros darbus, įrenginį reikia siųsti arba atvežti RYOBI įgaliotajam priežiūros centrui, nurodytam kiekvienos šalies priežiūros centrų adresų sąrašė. Kai kuriose šalyse vietinis RYOBI atstovas siunčia įrenginį RYOBI priežiūros organizacijai. Siunčiant įrenginį RYOBI priežiūros centrui, reikia saugiai jį supakuoti pašalinant visas pavojingas medžiagas, pvz., benzina, nurodyti ant pakuotės siuntytojo adresą ir pridėti trumpą gedimo aprašymą.
5. Pagal šią garantiją remontas / keitimas atliekami nemokamai. Tokie veiksmai netaikomi garantijos pratęsimui arba naujo garantinio laikotarpio pradžia. Dalys arba įrenginiai, kuriuos pakeitėme, tampa mūsų nuosavybe. Kai kuriose šalyse pristatymo ir pašto išlaidas turi padengti siuntėjas. Įstaty muose numatytos teisės, atsirandančios perkanat įrenginį, lieka nepakeistos
6. Ši garantija galioja Europos bendrijoje, Šveicarijoje, Islandijoje, Norvegijoje, Lichtenšteinė, Turkijoje ir Rusijoje. Jei gyvenate ne šiose šalyse, kreipkitės į įgaliotąjį RYOBI atstovą ir sužinokite, ar jums taikoma kita garantija.

ĮGALIOTOS TECHNINĖS PRIEŽIŪROS CENTRAS

Jei norite surasti įgaliotą techninės priežiūros centrą netoli Jūsų, silankykite interneto svetainėje <http://uk.ryobitools.eu/header/service-and-support/service-agents>.

Lisaks toote ostust tulenevatele seadusjärgsetele õigustele, kehtib tootele ka alitoodud garantiiga.

- Tarbijatele on garantiiaeg 24 kuud ja algab sellel kuupäeval, mil toode osteti. Selle kuupäeva tõestuseks on vaja arvet või mõnda teist tõendit ostu sooritamise kohta. Toode on mõeldud eratarbijatele ainult isiklikuks kasutamiseks. Seega ei kehti garantii ostu kasutamisel kutsetegevuses või kaubanduslikel eesmärkidel.
- Teatud osale elektrilistele (vahelduvvoolu/alalisvoolu) tööriistadele on võimalik pikendada tõestuseks toode garantiiaega, kasutades toote registreerimist veebilehel www.ryobitools.eu. Teave tööriista võimaliku pikendatud garantiiaja kohta on selgelt esile toodud poodides ja/või pakendil / ning see sisaldub toote dokumentatsioonis. Lõpptarbijaja peab registreerima oma uued tööriistad interneti teel 30 päeva jooksul pärast ostmise. Lõppkasutaja võib registreerida pikendatud garantiiaja saamise oma elukohariigis, kui veebis olevas registreerimisvormis on see valik lubatud. Lisaks peavad kasutajad andma oma nõusoleku veebis nõutud sisestavate andmete säilitamiseks ning nad peavad nõustuma tingimustega. E-posti teel saadetak registreerimise kinnitus ja arve originaal, kus on näha ostu sooritamise kuupäev, on pikendatud garantiiaja tõestuseks.
- Garantii katab kõik defektid toote garantiiaja jooksul, kui ostu kuupäeval ilmnevad talitlus- või materjalivead. Garantii piirub toote remondi ja/või väljavahetamisega ning ei sisalda muid kohustusi, muu hulgas ettenägematuid või kaudseid kahjusid. Garantii ei kehti, kui toodet ei ole kasutatud sihtotstarbelselt või kooskõlas kasutusjuhendiga või see on valesti ühendatud. Garantii ei kehti järgmistel põhjustel:
 - toode on kahjustatud vale hoolduse tõttu
 - toodet on muudetud
 - toote algsuunatud identifitseerimisnumbrid (kaubamärk, seerianumber) on rikutud, muudetud või eemaldatud
 - kahju on tekkinud kasutusjuhendi mittejärgmisest
 - tootel puudub CE-märgis
 - toodet on püüdnud remontida vastavat kvalifikatsiooni mitte omav isik või ilma firma Techtronic Industries eelneva loata.
 - toode on ühendatud valesse toiteallikasse (voolutugevus, pinge, sagedus)
 - välismõjude (keemilised, füüsilised, elektrilöögid) või võrkehade tekitatud kahju
 - tavapärane kulumine ja katkised varuosad
 - ebaõige kasutamine, tööriista ülekoormamine
 - hea kiitmatatavate tarvikute või osade kasutamine
 - koos tööriistaga saadud või eraldi ostetud elektriliste tööriistade tarvikud. Need erandid puudutavad muu hulgas kruvikeeraja otsakuid, puuriterasid, lihvkettaid, lihvpaberit ja -tald, küljühikuid
 - Komponendid (osad ja tarvikud), mida iseloomustab kulumine ja vananemine, muu hulgas remondi- ja hoolduskomplektid, süsinikharjad, laagrid, padrunid, SDS-puuriterade tarvikud, toitejuhid, lisakäepide, transpordikott, lihvplaat, tolmu kott, tolm väljalasketoru, viildist seibid, löökmutrivõtme viildid ja vedrud jne.
- Hoolduseks peab toote saatma või viima RYOBI volitatud teenindusse, mille aadressi leiab järgnevat teeninduspunkti nimekirjast vastava riigi alt. Mõnedes riikides võtab kohalik RYOBI edasimüüja enda kanda kohustuse saata toode RYOBI teenindusorganisatsiooni. Toote saatmisel RYOBI teenindusse peab toode olema ohutult pakitud ja ei tohi sisaldada ohtlike aineid (nt bensini), kirjas peab olema saatja aadress ja lisatud vea lühikirjeldus.
- Garantii alusel tehtavad remonditööd / asendamine on tasuta. See ei pikenda garantii kehtivusaega ega tähista uue garantiiaja algust. Väljavahetatud osad või tööriistad kuuluvad meile. Mõnedes riikides maksab kätetoimetamis- ja postikulud saatja. Teile jäävad kehtima tööriista ostust tulenevad seadusjärgsed õigused
- See garantii kehtib Euroopa Ühenduse territooriumil, Šveitsis, Islandil, Norras, Liechtensteinis, Türgis ja Venemaal. Väljaspool neid piirkondi võtke ühendust volitatud RYOBI edasimüüjaga, et teha kindlaks kas kehtib mõni teine garantii.

VOLITATUD HOOLDUSKESKUS

Oma volitatud hoolduskeskuse leiate veebisaidilt <http://uk.ryobitools.eu/header/service-and-support/service-agents>.

Osim svim zakonskim pravima koja proizlaze iz kupnje, ovaj je proizvod pokriven jamstvom kako je navedeno u nastavku.

- Jamstveno razdoblje za potrošače traje 24 mjeseca i počinje s datumom na koji je proizvod kupljen. Taj datum mora se dokumentirati računom ili drugim dokazom o kupnji. Proizvod je konstruiran i namijenjen samo za privatnu upotrebu korisnika. Stoga se jamstvo ne daje u slučaju profesionalne ili komercijalne uporabe.
- Postoji mogućnost da se za dio asortimana električnih alata pokretanih izmjeničnom strujom (AC/DC) proizvodi gore navedeno jamstveno razdoblje putem registriranja na mrežnom mjestu www.ryobitools.eu. Uvjeti koje je potrebno zadovoljiti kako bi se produžilo jamstveno razdoblje jasno su istaknuti u prodavaonicama i / ili na pakiranju / i nalaze se unutar dokumentacije proizvoda. Krajnji korisnik mora registrirati svoje novo kupljene alate na mreži u roku od 30 dana od datuma kupnje. Krajnji korisnik može se registrirati za produženo jamstvo u uvjetoj zemlji boravišta ako se nalazi na popisu u mrežnom obrascu za registraciju gdje je ta opcija važeća. Nadalje, krajnji korisnici moraju dati svoj pristanak na pohranu podataka koji su potrebni za mrežni ulazak i moraju prihvatiti odredbe i uvjete. Potvrda o prijemu registracije, koja se šalje putem e-pošte, kao i originalni račun s vidljivim datumom kupnje poslužit će kao dokaz produženog jamstva.
- Jamstvo pokriva sve nedostatke proizvoda tijekom jamstvenog razdoblja koji su nastali zbog neispravnosti prilikom izrade ili materijala s datumom kupnje. Jamstvo je ograničeno na popravak i/ili zamjenu i ne obuhvaća nikakve druge obveze, uključujući, ali ne ograničavajući se na slučajne ili posjednične štete. Jamstvo ne vrijedi ako je proizvod bio zlorabljeno, korišten u suprotnosti s priručnikom s uputama ili ako je pogrešno spojen. Ovo jamstvo ne primjenjuje se na:
 - svaku štetu koja je na proizvodu nastala kao rezultat nepravilnog održavanja
 - svaki proizvod koji je promijenjen ili izmijenjen
 - svaki proizvod na kojem su izvorne identifikacijske oznake (žig, serijski broj) bile oštećene, izmijenjene ili uklonjene
 - svaku štetu prouzročenu neprimjerenom upotrebom priručnika s uputama
 - svaki proizvod koji nema oznaku CE
 - svaki proizvod koji je pokušao popraviti neovlašćen profesionalac ili onaj koji je popravljao bez prethodnog odobrenja tvrtke Techtronic Industries.
 - svaki proizvod koji je spojen na neprikladan izvor električnog napajanja (neodgovarajuća amperaza, napon, frekvencija)
 - svaku štetu prouzročenu unutarnjim utjecajima (kemijskim, fizikalnim, udarima) ili stranim tvarima
 - normalno habanje i trošenje rezervnih dijelova
 - neodgovarajuću uporabu, preopterećenje alata
 - upotrebu neodobrenog pribora ili dijelova
 - dotadnu neopremu električnog alata isporučenu s alatom ili kupljenu odvojeno. Takvi izuzetci uključuju ali nisu ograničeni na vrhove odvijачa, svrdla bušilice, abrazivne diske, brusni papir i noževe, bočnu vodilicu
 - Komponente (dijelovi i pribor) podložne prirodnom trošenju i habanju, što uključuje, ali nije ograničeno na komplecte za servisiranje i održavanje, ugljične četkice, ležajeve, steznu glavu, nastavak ili priključak za svrdla za SDS bušilicu, priključni kabel, pomoćnu ručku, transportne torbe, brusnu ploču, vreću za prašinu, ispušnu cijev za prašinu, podloške od filca, udami ključ, zatici i opruge, itd.
- Za potrebe servisiranja, proizvod se mora poslati ili odnijeti u ovlaštenu servisnu postaju tvrtke RYOBI navedenu na sljedećem popisu s adresama servisnih postaja u svakoj zemlji. U nekim zemljama, vaš lokalni RYOBI zastupnik obvezuje se da će poslati proizvod u servisnu organizaciju tvrtke RYOBI. Kada se proizvod šalje u neku servisnu postaju tvrtke RYOBI, proizvod se mora sigurno pakirati bez jednog od opasnih sadržaja kao što je benzin, na njemu mora pisati adresa pošiljatelja i mora biti popraćen kratkim opisom kvara.
- Popravak / zamjena pod ovim jamstvom su besplatni. Oni ne predstavljaju produženje ili novi početak jamstvenog razdoblja. Zamijenjeni dijelovi ili alati postaju vaše vlasništvo. U nekim državama troškove isporuke ili poštarinu mora platiti pošiljatelj. Vaša zakonska prava koja proizlaze iz kupnje alata ostaju nepromijenjena
- Ovo jamstvo vrijedi u Europskoj uniji, Švicarskoj, Islandu, Norveškoj, Lihtenštajnu, Turskoj i Rusiji. Izvan tih područja vas molimo da se obratite svojem ovlaštenom zastupniku tvrtke RYOBI kako biste utvrdili primjenjuje li se drugo jamstvo.

OVLAŠTENI SERVISNI CENTAR

Za pronalazjenje ovlaštenog servisnog centra pored vas posjetite <http://uk.ryobitools.eu/header/service-and-support/service-agents>.

SL POGOJI ZA VELJAVNOST GARANCIJE RYOBI®

Poleg morebitnih zakonsko določenih pravic, ki izvirajo iz nakupa, za ta izdelek velja spodaj navedena garancija.

- Garancijsko obdobje je za potrošnike 24 mesecev in začne teči z dnem nakupa izdelka. Ta datum mora biti dokumentiran z računom ali drugim dokazilom o nakupu. Izdelek je zasnovan in namenjen izključno za potrošniško zasebno uporabo. V primeru strokovne oziroma komercialne uporabe izdelka garancija ne velja.
- Obstaja možnost podaljšanja garancije na del naše ponudbe električnih orodij (AC/DC) prek obdobja garancije, opisaneega zgoraj, s pomočjo registracije na spletnem mestu www.ryobitools.eu website. Ustreznost orodij za podaljšanje garancijskega obdobja je jasno prikazana v trgovinah in/ali na embalaži oziroma je navedena v dokumentaciji izdelka. Končni uporabnik mora registrirati svoje novo orodje na spletu v 30 dneh po datumu nakupa. Končni uporabnik lahko registrira podaljšano garancijo v svoji državi bivanja, če je na obrazcu spletne registracije navedeno, da ta možnost velja za njegovo državo. Poleg tega morajo končni uporabniki podati svoje soglasje za shranjevanje podatkov, ki so potrebni za spletni dostop in morajo sprejeti pogoje in določila uporabe spletnega mesta. Potrdilo o registraciji, ki ga pošljemo prek e-pošte, in originalni račun, ki prikazuje datum nakupa, služita kot dokazilo o podaljšani garanciji.
- Garancija krije vse okvare izdelka, do katerih pride v garancijskem obdobju zaradi napak v izdelavi ali materialu, ki so bile prisotne ob datumu nakupa. Garancija je omejena na popravilo in/ali zamenjavo in ne vključuje nobenih drugih obveznosti, med drugim vključno z naključno ali posledično škodo. Garancija ne velja, če je bil izdelek napačno uporabljen, uporabljen v nasprotju z navodili iz priročnika za uporabo ali če ni bil pravilno povezan. Ta garancija ne velja za:
 - škodo na izdelku, ki je posledica neustreznega vzdrževanja
 - spremenjen ali prilagojen izdelek
 - izdelek, katerega originalna identifikacijska oznaka (blagovna znamka, serijska številka) je bil poškodovan, spremenjena ali odstranjena
 - škodo, ki je posledica neupoštevanja navodil iz priročnika za uporabo izdelka, ki nima oznake CE
 - izdelek, ki ga je poskušal opraviti nequalificiran strokovnjak ali ki je bil popraviljen brez predhodne odobritve s strani družbe Techtronic Industries.
 - izdelek, ki je bil povezan na neustrezno napajanje (amperska moč, napetost, frekvenca)
 - škodo, ki jo povzročijo zunanji vplivi (kemični, fizični, mehanski) ali tuje snovi
 - rezervne dele, ki so podvrženi običajni uporabi
 - neprimerno uporabo, preobremenitev orodja
 - uporabo neodobrenih dodatkov ali delov
 - Dodatno električno orodje, priloženo orodju ali kupljeno ločeno. Take izjeme so med drugim nastavki za izvijače, svedri, abrazivni diski, brusni papir in rezila, stranska vodila.
 - Komponente (sestavni in rezervni deli), ki so podvrženi običajni obrabi, med drugim vključno s kompleti za servisiranje in vzdrževanje, oglikovimi krtačkami, ležaji, vpenjali, svedrni priključki SDS ali sprejemnimi odprtini zanje, napajalnimi kablji, pomožnimi ročajji, prenosnimi kovički, brusnimi ploščami, vrečkami za prah, cevmi za izpuh prahu, tesnilni iz filca, iglami in vzmetni udamega ključa itd.
- Za servisiranje morate izdelek poslati ali prinesiti v pooblaščen servisni center družbe RYOBI, ki je naveden za vsako državo na naslednjem seznamu naslovov servisnih centrov. V nekaterih državah se vaš lokalni posrednik družbe RYOBI obveže, da bo poslal izdelek na servis družbe RYOBI. Ko pošiljate izdelek v servisni center družbe RYOBI, mora biti izdelek varno zapakiran in ne sme vsebovati nobenih nevarnih snovi, kot je npr. bencin, opremljen pa mora biti z naslovom pošiljatelja in vsebovati kratek opis napake.
- Popravilo/zamenjava v skladu s to garancijo sta brezplačni storitvi. To pa ne predstavlja podaljšanja ali ponovnega začetka garancijskega obdobja. Zamenjani deli ali orodja postanejo naša last. V nekaterih državah stroške dostave ali poštno plača pošiljatelj. Vaše zakonsko določene pravice, ki izvirajo iz nakupa orodja, ostajajo nespremenjene.
- Ta garancija velja v Evropski skupnosti, Švici, Islandiji, na Norveškem, v Lichtenštajnu, v Turčiji in Rusiji. Izven teh območij se obrnite na svojega pooblaščenega posrednika izdelkov RYOBI, dealer ki vam bo povedal, ali velja kakšna druga garancija.

POOBLAŠČEN SERVISNI CENTER

Pooblaščen servisni center blizu vas poiščite na <http://uk.ryobitools.eu/header/service-and-support/service-agents>.

SK ZÁRUČNÉ PODMIENKY RYOBI®

Na tento výrobok sa okrem všetkých zákonných práv, vyplývajúcich z nákupu, vzťahuje záruka v nasledovnom znení.

- Záručná doba pre spotrebiteľa je 24 mesiacov a začína plynúť odo dňa, kedy bol výrobok zakúpený. Tento dátum musí byť doložený faktúrou alebo iným dokladom o zakúpení. Výrobok je navrhnutý a určený pre spotrebiteľov a ten na súkromné používanie. Preto sa záruka sa neposkytuje v prípade použitia na profesionálne a komerčné účely.
- V prípade elektrického náradia (na striedavý/jednosmerný prúd AC/DC), existuje možnosť predĺženia záručnej doby oproti týmto bodom, uvedenej vyššie, s využitím on-line registrácie na webovej stránke www.ryobitools.eu. Označenie na náradí o nároku na predĺženie záručnej doby je zreteľne uvedené v obchodoch a/alebo na obale a je uvedené v dokumentácii k výrobku. Koncový používateľ musí zaregistrovať svoje novozískané náradie on-line do 30 dní odo dňa nákupu. Koncový používateľ sa môže zaregistrovať na predĺženie záruky v krajine svojho bydliska, ak je v on-line registračnom formulári uvedená táto možnosť. Ďalej musia koncoví používatelia ešte dať svoj súhlas k uchovávaniu údajov, ktoré je potrebné zadať on-line a musia súhlasiť s podmienkami. Potvrdenie o prijatí registrácie, ktorý je zasielané e-mailom a originál faktúra, v ktorej je uvedený dátum nákupu, slúžia ako dôkaz o predĺženej záruke.
- Záruka sa vzťahuje na všetky poruchy výrobku v záručnej dobe, spôsobené chybami materiálů alebo spracovania k dátumu nákupu. Táto záruka je obmedzená na opravu a/alebo výmenu a nezahŕňa ďalšie povinnosti, vrátane, okrem iných, náhodné alebo následné škody. Táto záruka je neplatná, ak bol výrobok nesprávne používaný, bol používaný v rozpore s návodom na použitie alebo bol nesprávne zapojený. Táto záruka sa nevzťahuje na:
 - akékoľvek poškodenie výrobku, ktoré bolo spôsobené nesprávnou obsluhou
 - akýkoľvek výrobok, ktorý bol zmenený alebo upravený
 - akýkoľvek výrobok, na ktorom bolo poškodené, upravené alebo odstránené identifikačné označenie (ochranná známka, výrobné číslo)
 - akékoľvek škody, spôsobené nedodržaním návodu na obsluhu
 - akýkoľvek výrobok, ktorý neobsahuje označenie CE
 - akýkoľvek výrobok, ktorý sa pokúšal opraviť nequalifikovaný odborník alebo bol opravovaný bez predchádzajúceho súhlasu zo strany spoločnosti Techtronic Industries.
 - akýkoľvek výrobok, pripojený k nesprávnemu napájaciemu zdroju (ampéry, napätie, frekvencia)
 - akékoľvek poškodenia, spôsobené vonkajšími vplyvmi (chemickými, fyzikálnymi, nárazmi) alebo cudzorodnými látkami
 - bežné opotrebovanie náhradných dielov
 - nehodné používanie, preťažovanie nástroja
 - používanie neschváleného príslušenstva a dielov
 - príslušenstvo k elektrickému náradia, dodávané spolu s náradím alebo zakúpené oddelene. Takéto vylúčenia sa vzťahujú, okrem iného, na násady skrutkovačov, vrtáky, brusne kotúče, brusný papier a čepele, bočné vodiace lišty
 - Súčiastky (diely a príslušenstvo), ktoré podliehajú prirodzenému opotrebovaniu, okrem iného súpravy na servis a údržbu, uhliky, ložiská, skľučovadlá, SDS vrtáky a príslušenstvo, príloh alebo prijímanie, napájací kábel, pomocná rukoväť, prepravná skriňa, brusná doska, pracovné vrečko, výfuková trubica, pistené podložky, kotlíky a pružiny na rázový uťahovač atď.
- Na opravu musí byť výrobok odoslaný alebo doručený do autorizovaného servisného strediska RYOBI, uvedeného pre každú krajinu v nasledovnom zozname adries servisných stredísk. V niektorých krajinách miestny zástupca RYOBI preberá na seba záväzok zaslať tovar do servisnej organizácie RYOBI. Pri odoslaní výrobku do servisného strediska RYOBI je potrebné výrobok bezpečne zabaliť bez akéhokoľvek nebezpečného obsahu, ako je bencín, s vyznačením adresy odosielateľa, s krátkym popisom poruchy.
- Oprava/výmena je vrámci tejto záruky bezplatná. Neznamená to predĺženie záruky alebo spustenie novej záručnej doby. Vymenené diely alebo nástroje sa stávajú našim vlastníctvom. V niektorých krajinách náklady na odoslanie alebo vrátenie musí zaplatiť odosielateľ. Vaše zákonné práva, vyplývajúce z nákupu náradia, zostávajú nedotknuté.
- Táto záruka platí v Európskej únii, Švajčiarsku, Islande, Nórsku, Lichtenštajnsku, Turesku a Rusku. Ak sa nachádzate mimo týchto oblastí, obráťte sa na autorizovaného predajcu RYOBI na určenie, či sa dá uplatniť iná záruka.

AUTORIZOVANÉ SERVISNÉ CENTRUM

Ak chcete nájsť najbližšie autorizované servisné centrum, navštívte stránku <http://uk.ryobitools.eu/header/service-and-support/service-agents>.

BG УСЛОВИЯ ЗА ВАЛИДНОСТ НА ГАРАНЦИЯТА НА RYOBI®

В допълнение към законоустановените права, произтичащи от покупката, този продукт е обхванат от гаранцията, както е изложено по-долу.

- Гаранционният срок е 24 месеца за клиенти и започва да тече от деня на закупуване на продукта. Тази дата трябва да се докаже с фактура или друго доказателство за покупка. Продуктът е изработен и предназначен само за потребителска и лична употреба. Следователно не се дава гаранция в случай на използване от професионалисти или с търговска цел.
- Съществува възможност за удължаване на гаранционния срок за част от диалогана на гаранцията на електрически инструменти (AC/DC) след изтичането на описания тук чрез регистрация на уеб сайта www.ryobitools.eu. В магазините и/или на опаковката или вътре в документацията на продукта е показано ясно дали инструментът отговаря на условията за такова удължаване на гаранционния срок. Крайният потребител трябва да регистрира своите новопридобити инструменти онлайн в рамките на 30 дни от датата на покупка. Крайният потребител може да се регистрира за удължена гаранция в държавата си на пребиваване, ако е посочена във формуляра за онлайн регистрация като място, където тази опция е валидна. Освен това крайните потребители трябва да дадат съгласието си за съхранение на данните, които са задължителни за ползване онлайн, и трябва да приемат общите условия. Полученото потвърждение за регистрация, изпратено по електронна поща, и оригиналната фактура, показваща датата на покупка, ще служат като доказателство за удължената гаранция.
- Гаранцията покрива всички дефекти на продукта по време на гаранционния срок, които се дължат на проблеми в изработката или материалите към момента на покупката. Гаранцията е ограничена до ремонт и/или замяна и не включва други задължения, включително, но не само, случайни или косвени щети. Гаранцията е невалидна, ако продуктът е използван неправилно или в противоречие с ръководството с инструкции, както и ако е свързан неправилно. Тази гаранция не важи за:
 - щети по продукта в резултат на неправилна профилантика
 - продукти, които са били изменени или модифицирани
 - продукт, при който оригиналните маркировки за идентификация (търговска марка, серийен номер) са изтрети, променени или премахнати
 - повреда, причинена от неспазване на ръководството с инструкции
 - продукт без CE маркировка
 - продукт, за който е направен опит за ремонт от неквалифициран специалист или без предварително разрешение от Techtronic Industries.
 - продукт, свързан към неподходящо електрохранване (ампераж, волтаж, честота)
 - щети, причинени от външни влияния (химични, физични, удари) или чужди вещества
 - нормално износване на резервни част
 - неподходяща употреба, претоварване на инструмента
 - използване на неободбени аксесоари или части
 - Аксесоарите за електрически инструмент са предоставени с инструмента или се купуват отделно. Тези изключения включват, но не само, накрайници за отвертка, свердела, абразивни дискове, шкурка и остриета, страничен водач
 - Компоненти (части и аксесоари), подложени на естествено износване, включително, но не само, комплекти за обслужване и поддръжка, карбонови четки, лагери, патронник, приставка със средло SDS или приемно устройство, захванващ кабел, спомогателна ръкохватка, кутия за транспортиране, шлифовъчна пластина, торба за прах, тръба за отвеждане на прах, филцови шабви, цифрове и пружини за винтоверти и др.
- За обслужване продуктът трябва да се изпрати или занесе на авторизиран сервиз на RYOBI, посочен за всяка държава в следния списък с адреси на сервиси. В някои държави местният търговец на RYOBI поема отговорността да изпрати продукта до сервизен център на RYOBI. При изпращане на продукт до сервиз на RYOBI той трябва да е опакован безопасно без опасо съдържание, напр. бензин, да е маркиран с адреса на подателя и придружен от кратко описание на повредата.
- Ремонтът/замяната по силата на тази гаранция са безплатни. Те не водят до удължаване или подновяване на гаранционния срок. Сменените части или инструменти стават наша собственост. В някои държави таксите за доставка или изпращане трябва да се платят от подателя. Законоустановените ни права, произтичащи от закупуването на инструмента, остават незасегнати.
- Тази гаранция е валидна в Европейската общност, Швейцария, Исландия, Норвегия, Лихтенщайн, Турция и Русия. Извън тези области се свържете с упълномощения търговец на RYOBI, за да се установи дали е приложима друга гаранция.

УПЪЛНОМОЩЕН СЕРВИЗЕН ЦЕНТЪР

За да намерите упълномощен сервизен център близо до вас, посетете <http://uk.ryobitools.eu/header/service-and-support/service-agents>.

UK ГАРАНТИЙНИ УМОВИ ДЛЯ RYOBI®

Окрім загалом установених законом прав, що стосуються покупки, цей пристрій покривається гарантією, що зазначено нижче.

- Гарантійний період для споживачів складає 24 місяці і починається з моменту придбання цього пристрою. Ця дата повинна бути задокументована у гарантійному талоні або чеку. Цей пристрій був розроблений і призначений тільки для споживчого та приватного використання. У разі професійного або комерційного використання цього пристрою, він втрачає гарантію.
- Існує можливість продовжити гарантійний період для частини лінійки електричних інструментів (перемінного/постійного струму), понад період описаний вище за допомогою реєстрації на сайті www.ryobitools.eu. Пристрої, які мають право на продовження гарантійного періоду, мають чіткі позначки щодо цього в магазинах і / або на упакуванні / та документації до пристрою. Кінцевий користувач повинен зареєструвати його/її новопридбаний пристрій онлайн протягом 30 днів з дати покупки. Кінцевий користувач може зареєструватися для продовження гарантійного періоду в своїй країні постійного перебування, якщо вона є доступною у відповідній опції онлайн форми реєстрації. Крім того, кінцеві користувачі повинні дати свою згоду на зберігання даних, які необхідні для введення онлайн, а також вони повинні прийняти правила та умови. Отримання підтвердження реєстрації, яке відправляється на адресу електронної пошти, та оригінал гарантійного талона і зазначеною датою покупки буде служити доказом продовженої гарантії.
- Гарантія поширюється на всі дефекти пристрою протягом гарантійного терміну щодо недотримання стандартів виробництва або матеріалів на дату придбання. Гарантія обмежується ремонтом та/або заміною, та не включає в себе будь-яких інших зобов'язань, в тому числі, але не обмежена у разі випадкових та подальших пошкоджень. Гарантія не діє, якщо пристрій використовувався ненадлежащим чином, всупереч інструкції з експлуатації або був неправильно підключений до мережі. Дана гарантія не поширюється на:
 - пристрої, що були пошкоджені у результаті неправильного технічного обслуговування;
 - пристрої, що були видозміннені або модифіковані;
 - пристрої, оригінальні ідентифікаційні (товарний знак, серійний номер) маркування яких було пошкоджене, змінене або видалено;
 - будь-які пошкодження, заподіяні недотриманням інструкції з експлуатації;
 - пристрої, що не мають маркування CE;
 - пристрої, що були відремонтовані некваліфікованим фахівцем або за відсутності попереднього дозволу від Techtronic Industries;
 - пристрої, підключені до невідповідного джерела живлення (сила току, напруги, частота);
 - будь-які пошкодження спричинені зовнішнім впливом (хімічним, фізичним, стрибком напруги) або сторонніми речовинами;
 - нормальну амортизацію запасних частин;
 - невідповідне використання, перевантаження пристрою;
 - використання не підтверджених запасних частин або аксесуарів;
 - приладдя до електронного інструменту, що постачається разом з пристроєм або купуються окремо. Такі винятки враховують але не є обмеженнями для наконечників викруток, свердел, абразивних дисків, наждачного паперу та лез, бічних напрямних – компоненти(частини та приладдя) з урахуванням нормального зношування, враховуючи, але без обмеження на комплекти профілактики та технічного обслуговування, вугільні штикти, підшипники, патрони, кріплення або прийом SDS свердел, кабелі живлення, додаткові рукоятки, чохла для транспортування, шліфувальні пластини, мішки для збору пилу, трубки виплопу, фетрові кльця, штирі і пружини гайковерту і т.д.
- Для обслуговування, пристрій має бути відправлений або поданий до одного з авторизованих сервісних центрів RYOBI, які перелічені для кожної країни у наступному переліку адрес сервісних центрів. У деяких країнах місцевий дилер RYOBI зобов'язується відправити пристрій до сервісного центру RYOBI. При відправленні пристрою до сервісного центру RYOBI, пристрій має бути надійно упакуваний без будь-якого небезпечного вмісту, наприклад бензину, з позначеною адресою відправника та супроводжуватися коротким описом несправності.
- Ремонт / заміна відповідно до цієї гарантії здійснюється безкоштовно. Це не є основою для продовження або початку нового гарантійного періоду. Замінені частини або прилади переходять до власності компанії. У деяких країнах вартість доставки або поштові витрати повинні бути сплачені відправником. Загально встановлені права покупця на пристрій залишаються незмінними.
- Ця гарантія діє в Європейському Союзі, Швейцарії, Ісландії, Норвегії, Лихтенштейні, Туреччині та Росії. За межами цих зон, будь ласка, зверніться до офіційного дилера RYOBI, щоб визначити, чи застосовується інша гарантія.

АВТОРИЗОВАНІ СЕРВІСНІ ЦЕНТРИ

Для отримання оновленого переліка авторизованих сервісних центрів, відвідайте <http://uk.ryobitools.eu/header/service-and-support/service-agents>.

TR RYOBI® GARANTİ UYGULAMA KOŞULLARI

Alımdan kaynaklanan yasal haklara ek olarak, ürün aşağıda belirtilen garanti kapsamındadır.

1. Tüketici için 24 ay olan garanti süresi, ürünün satın alındığı tarihte başlar. Bu tarihin bir fatura ya da alım kanıtıyla belgelenmesi gerekir. Ürün sadece tüketim ve özel kullanım için geliştirilmiş ve adanmıştır. Bu nedenle, profesyonel ya da ticari kullanımı halinde garanti kapsamı sağlanmaz.
2. Elektrikli el aletlerinin bir bölümü (AC/DC) için www.ryobitools.eu sayfasındaki kayıt işlemini kullanarak garantinin belirtilen süresini ötesine çıkarma imkanı mevcuttur. Aletlerin garanti süresinin uzatılmasına uygun olup olmadığı mağazalarda ve / veya ambalajda açıkça belirtilmiş olup, ürün dokümantasyonunda gösterilir. Son kullanıcının yeni aldığı aletleri satın alma tarihini izleyen 30 gün içinde kaydetmesi gerekir. Son kullanıcı ikamet ettiği ülkede, bu seçeneğin geçerli olduğu çevrimiçi kayıt formunda belirtilmişse, uzatılmış garanti süresi için kayıt yapılabilir. Dahası, son kullanıcıların çevrimiçi giriş için gerekli verilerin kaydedilmesine izin vermek ve hüküm ve koşulları kabul etmelidir. E-posta ile gönderilen kayıt teyit makbuzu ve alım tarihini gösteren orijinal fatura uzatılmış garantinin kanıtı olarak değerlendirilir.
3. Garanti, ürünün alım tarihindeki işçilik ve malzeme kusurları nedeniyle garanti süresi içinde oluşacak bütün arızaları kapsar. Bu garanti onarım ve değiştirilmeyle sınırlı olup, tasadufi ya da dolaylı hasarlar da dahil, ancak bunlarla kısıtlı olmayan başka hiçbir tahahhüdü kapsamaz. Garanti, ürünün kötü, kullanici kılavuzuna aykırı kullanımıyla ya da yanlış bağlanmış olması halinde geçerli değildir. Bu garanti aşağıdakileri kapsamaz:
 - üründe, yanlış bakımдан kaynaklanan herhangi bir hasar
 - değiştirilmiş ya da modifiye edilmiş herhangi bir ürün
 - orijinal tanıtmış işaretleri (ticari marka, seri numarası) silinmiş, değiştirilmiş ya da kaldırılmış herhangi bir ürün
 - kullanma kılavuzuna uymamaktan kaynaklanmış herhangi bir hasar
 - herhangi bir AT dışı ürün
 - kalifiye olmamış personel tarafından ya da önceden Techtronic Industries onayı alınmadan onarılmış herhangi bir ürün.
 - uygunsuz güç kaynağına (amper, voltaj, frekans) bağlanmış herhangi bir ürün
 - harici etkenlerden (kimyasal, fiziksel, darbe) veya yabancı cisimlerden kaynaklanan her türlü hasar
 - normal aşınır ve yıpranır aksam
 - uygunsuz kullanım, aletin aşırı yüklenmesi
 - onaysız aksesuar veya parça kullanımı
4. Aletle birlikte sağlanmış ya da ayrıca alınmış elektrikli alet aksesuarları, Tornavida uçları, matkap uçları, aşındırıcı diskler, zımpara kağıdı ve bıçakları, yanıl kılavuz gibi aksamı içeren, ancak bunlarla sınırlı olmayan eklentiler
5. Servis ve Bakım kitiyle, kömür fırçalar, yataklar, kovanlar, SDS matkap ucu bağlantısı ya da yuvaları, güç kablosu, yedek tutamak, nakliye ve taşıma kutusu, kuşlama plakası, toz torbası, toz egzoz borusu, keçe rondelalar, Darbeli Tornavida Pim ve yayları vb. gibi parçaları kapsayan, ancak bunlarla sınırlı olmayan, aşınma ve yıpranmaya tabi bileşenler (aksam ve aksesuarlar).
4. Ürünün servis için her ülkede aşağıdaki servis istasyonları adres listesinde yer alan yetkili bir RYOBI servis istasyonuna gönderilmesi ya götürülmesi gereklidir. Bazı ülkelerde, yerel RYOBI distribütörünüz ürünü RYOBI servis tesisine göndermeyi üstlenir. Bir ürün bir RYOBI servis istasyonuna gönderilirken, ürünün güvenli bir biçimde ambalajlanması, benzin gibi tehlikeli maddeler içermemesi, gönderinen adresini taşımaya ve anızın kısa bir açıklamasını içermesi gerekir.
5. Bu garanti kapsamında yapılacak onarım / değişiklik ücretsizdir. Garanti süresinin uzatılması ya da yeniden başlatılması anlamına gelmez. Değiştirilmiş parçalar veya aletler bize ait olur. Bazı ülkelerde teslimat ücretleri veya posta giderlerinin gönderici tarafından ödenmesi gerekir. Alımdan kaynaklanan yasal haklarınıza etkilenmez
6. Bu Garanti Avrupa Topluçuluğu, İsviçre, İzlanda, Norveç, Liechtenstein, Türkiye ve Rusya'da geçerlidir. Bu alanların dışında, başka bir garantinin geçerli olup olmadığını belirlemek için lütfen yetkili RYOBI distribütörünüzle irtibata geçin.

YETKİLİ SERVİS MERKEZİ

En yakın yetkili servis merkezini öğrenmek için <http://uk.ryobitools.eu/header/service-and-support/service-agents> sitesine girin.

EL ΟΡΟΙ ΕΦΑΡΜΟΓΗΣ ΤΩΝ ΠΡΟΫΠΟΘΕΣΩΝ ΕΓΓΥΗΣΗΣ ΤΗΣ RYOBI®

Εκτός από τα νόμιμα δικαιώματα, τα οποία προκύπτουν από την αγορά, το προϊόν καλύπτεται από εγγύηση, λεπτομέρειες της οποίας ακολουθούν στη συνέχεια.

1. Η διάρκεια της εγγύησης για τους καταναλωτές είναι 24 μήνες και αρχίζει από την ημερομηνία αγοράς. Η ημερομηνία θα πρέπει να αναγράφεται στην απόδειξη ή σε άλλο αποδεικτικό αγοράς. Το προϊόν έχει σχεδιαστεί και προορίζεται αποκλειστικά για οικιακή χρήση από καταναλωτές. Συνεπώς, δεν παρέχεται εγγύηση σε περίπτωση επαγγελματικής ή εμπορικής χρήσης.
2. Υπάρχει η δυνατότητα επέκτασης της εγγύησης για ορισμένα ηλεκτρικά εργαλεία (AC/DC), πέραν του παραπάνω αναφερόμενου χρονικού διαστήματος, μέσω εγγραφής στο δικτυακό τόπο www.ryobitools.eu. Η επλεξιμότητα των εργαλείων με δυνατότητα επέκτασης της περιόδου εγγύησης αναγράφεται ρητά στα καταστήματα και/ή επάνω στη συσκευασία, ενώ περιέχεται στην τεκμηρίωση του προϊόντος. Το τελικός χρήστης θα πρέπει να καταχωρήσει τα προσωπικά αποκτηθέντα εργαλεία online, εντός 30 ημερών από την ημερομηνία αγοράς. Ο τελικός χρήστης μπορεί να εγγραφεί για την επέκταση εγγύησης εάν υπάρχει η δυνατότητα επέκτασης. Επιπλέον, οι τελικοί χρήστες θα πρέπει να παρέχουν τη συγκατάθεσή τους για την αποθήκευση των στοιχείων τους, τα οποία οφείλουν να καταχωρούν online, όπως και να αποδεχθούν τους όρους και τις προϋποθέσεις. Η απόδειξη επιβεβαίωσης της εγγραφής, η οποία αποστέλλεται μέσω email, και η πρωτότυπη απόδειξη αγοράς, η οποία αναφέρεται στην ημερομηνία αγοράς, αποτελούν αποδεικτικά της παρατεταμένης εγγύησης.
3. Η εγγύηση καλύπτει όλα τα ελαττώματα του προϊόντος, κατά τη διάρκεια της περιόδου εγγύησης, λόγω κατασκευαστικών ελαττωμάτων ή αστοχίας υλικού κατά την ημερομηνία αγοράς. Η εγγύηση περιορίζεται στην επισκευή και/ή την αντικατάσταση και δεν περιλαμβάνει καμία άλλη υποχρέωση, συμπεριλαμβανομένων, ενδεικτικά, συμπληρωματικών ή παρεπόμενων ζημιών. Η εγγύηση δεν ισχύει εφόσον, έχει σημειωθεί κακομεταχείριση του προϊόντος, δεν έχουν τηρηθεί οι οδηγίες του εγχειριδίου οδηγιών ή το προϊόν έχει συνδεθεί λανθασμένα. Η εγγύηση δεν ισχύει για:
 - οποιαδήποτε ζημία στο προϊόν, η οποία είναι αποτέλεσμα κακής συντήρησης
 - οποιοδήποτε προϊόν, το οποίο έχει αλλοιωθεί ή τροποποιηθεί
 - οποιοδήποτε προϊόν, στο οποίο έχει αλλοιωθεί, τροποποιηθεί ή αφαιρεθεί το γνήσιο αναγνωριστικό (σήμα κατατεθέν, σειριακός αριθμός)
 - οποιαδήποτε ζημία προκλήθει λόγω μη τήρησης του εγχειριδίου οδηγιών
 - οποιοδήποτε προϊόν χωρίς σήμανση CE
 - οποιοδήποτε προϊόν, στο οποίο έχει γίνει προσπάθεια επισκευής από μη καταρτισμένο επαγγελματία ή χωρίς την προηγούμενη έγκριση της Techtronic Industries.
 - οποιοδήποτε προϊόν, το οποίο έχει συνδεθεί σε ακατάλληλη παροχή ρεύματος (αμπερ, ισχύ, συχνότητα)
 - οποιαδήποτε ζημία έχει προκληθεί από εξωτερικές επιδράσεις (χημικές, φυσικές, κλιματιομετρικές) ή ξένες ουσίες
 - φυσιολογική φθορά και ρήξη ανταλλακτικών
 - ακατάλληλη χρήση, υπερφόρτωση του εργαλείου
 - χρήση μη ενδεδειγμένων εξαρτημάτων ή ανταλλακτικών
 - Εξαρτήματα ηλεκτρικών εργαλείων που παρασχεθήκαν με το εργαλείο ή αγοράστηκαν ξεχωριστά. Τέτοιες εξαρτήματα περιλαμβάνουν, ενδεικτικά, μύτες κατασθίδιου, τρυπάνια, δίσκους λείανσης, γυαλόχαρτο και λειπίδες, πλευρικό οδηγό
 - Εξαρτήματα (ανταλλακτικά και αξεσουάρ) που υποκείμενα σε φυσική φθορά και θραύση, συμπεριλαμβανομένων, ενδεικτικά, σετ επισκευής & συντήρησης, ψηκτρών άνθρακα, εφεδράνων, τσοκ, εξαρτημάτων ή υποδοχών τρυπάνιων SDS, καλωδίων ισχύος, βοηθητικής λαβής, βαλίτσας μεταφοράς, βάσης τριβείου, σακούλας συλλογής σκόνης, σωλήνα εξαναγκαστικής σκόνης, ροδελών τόδους, μυτών και ελατηρίων κροστικού κλειδιού κοχλιών, κτλ.
4. Το προϊόν θα πρέπει να αποσταλεί ή να παραδοθεί για επισκευή ή συντήρηση σε εξουσιοδοτημένο σημείο σέρβις της RYOBI που περιλαμβάνεται στον ακόλουθο κατάλογο διευθύνσεων για κάθε χώρα. Σε ορισμένες χώρες, το τοπικό σημείο πώλησης της RYOBI αναλαμβάνει την αποστολή του προϊόντος στο κεντρικό σέρβις της RYOBI. Κατά την αποστολή ενός προϊόντος σε σημείο σέρβις της RYOBI, αυτό θα πρέπει να είναι ασφαλώς συσκευασμένο, χωρίς επικίνδυνα περιεχόμενο, όπως πετρέλαιο, να φέρει τη διευθύνση του αποστολέα και να συνοδεύεται από σύντομη περιγραφή της βλάβης.
5. Η επιδιόρθωση / αντικατάσταση υπό την παρούσα εγγύηση παρέχεται δωρεάν. Δε συνιστά παράταση της περιόδου εγγύησης ή εκκίνηση νέας περιόδου εγγύησης. Τα μέρη που αντικαθίστανται περιέχονται στην κυριότητα μας. Σε ορισμένες χώρες, τα ενδεχόμενα έξοδα παράδοσης ή μεταφοράς βερνούν τον αποστολέα. Τα νόμιμα δικαιώματά σας, τα οποία απορρέουν από την αγορά του εργαλείου, δεν θίγονται.
6. Η παρούσα εγγύηση ισχύει στην Ευρωπαϊκή Κοινότητα, την Ελβετία, την Ισπανία, τη Νορβηγία, το Λιχτενστάιν, την Τουρκία και την Ρωσία. Εκτός των παραπάνω περιοχών, σας παρακαλούμε να επικοινωνήσετε με εξουσιοδοτημένο κατάστημα πώλησης της RYOBI, προκειμένου να διαπιστωθεί ένα ισχύει κάποια άλλη εγγύηση.

ΕΞΟΥΣΙΟΔΟΤΗΜΕΝΟ ΚΕΝΤΡΟ ΣΕΡΒΙΣ

Για να εντοπίσετε ένα εξουσιοδοτημένο κέντρο σέρβις στην περιοχή σας, επισκεφτείτε τη σελίδα <http://uk.ryobitools.eu/header/service-and-support/service-agents>.



EN DECLARATION OF CONFORMITY

Technronic Industries GmbH
Max-Eyth-Straße 10, 71364 Winnenden, Germany

Herewith we declare that the product

Belt Sander
Brand: RYOBI
Model number: EBS800 / EBS800V
Serial number range:
EBS800: 44413404000001-44413404999999
EBS800V: 44413604000001-44413604999999

is in conformity with the following European Directives and harmonised standards
2006/42/EC, 2014/30/EU, 2011/65/EU
EN 55014-1-2017, EN 55014-2-2015, EN 61000-3-2:2014, EN 61000-3-3:2013,
EN 62841-1-2015, EN 62841-2-4:2014

RoHS documentation is compiled according to EN 50581:2012

Todd Chipner
Sr. Director, Regulatory & Safety
Winnenden, Jan. 31, 2019



Authorised to compile the technical file:
Alexander Krug, Managing Director
Technronic Industries GmbH
Max-Eyth-Straße 10, 71364 Winnenden, Germany

FR DÉCLARATION DE CONFORMITÉ

Technronic Industries GmbH
Max-Eyth-Straße 10, 71364 Winnenden, Germany

Déclarons par la présente que le produit

Ponceuse à Bande
Marque: RYOBI
Numéro de modèle: EBS800 / EBS800V
Étendue des numéros de série:
EBS800: 44413404000001-44413404999999
EBS800V: 44413604000001-44413604999999

est conforme aux Directives Européennes et Normes Harmonisées suivantes
2006/42/EC, 2014/30/EU, 2011/65/EU
EN 55014-1-2017, EN 55014-2-2015, EN 61000-3-2:2014, EN 61000-3-3:2013,
EN 62841-1-2015, EN 62841-2-4:2014
La documentation RoHS a été dressée d'après EN 50581:2012

Todd Chipner
Directeur principal, Réglementation & Sécurité
Winnenden, Jan. 31, 2019



Autorisé à rédiger le dossier technique:
Alexander Krug, Directeur Général
Technronic Industries GmbH
Max-Eyth-Straße 10, 71364 Winnenden, Germany

DE KONFORMITÄTSERKLÄRUNG

Technronic Industries GmbH
Max-Eyth-Straße 10, 71364 Winnenden, Germany

Hiermit erklären wir, dass das Produkt

Bandschleifer
Marke: RYOBI
Modellnummer: EBS800 / EBS800V
Seriennummernbereich:
EBS800: 44413404000001-44413404999999
EBS800V: 44413604000001-44413604999999

den folgenden europäischen Richtlinien und harmonisierten Normen entspricht
2006/42/EC, 2014/30/EU, 2011/65/EU
EN 55014-1-2017, EN 55014-2-2015, EN 61000-3-2:2014, EN 61000-3-3:2013,
EN 62841-1-2015, EN 62841-2-4:2014

RoHS Dokumentation ist gemäß EN 50581:2012 zusammengestellt

Todd Chipner
Sr. Director, Vorschriften und Sicherheit
Winnenden, Jan. 31, 2019



Autorisiert die technische Datei zu erstellen:
Alexander Krug, Geschäftsführer
Technronic Industries GmbH
Max-Eyth-Straße 10, 71364 Winnenden, Germany

ES DECLARACIÓN DE CONFORMIDAD

Technronic Industries GmbH
Max-Eyth-Straße 10, 71364 Winnenden, Germany

Por la presente declaramos que los productos

Lijadora de Correa
Marca: RYOBI
Número de modelo: EBS800 / EBS800V
Intervalo del número de serie:
EBS800: 44413404000001-44413404999999
EBS800V: 44413604000001-44413604999999

se encuentra en conformidad con las siguientes Directivas Europeas y normas armonizadas
2006/42/EC, 2014/30/EU, 2011/65/EU
EN 55014-1-2017, EN 55014-2-2015, EN 61000-3-2:2014, EN 61000-3-3:2013,
EN 62841-1-2015, EN 62841-2-4:2014

Documentación sobre restricción de sustancias peligrosas (RoHS) recopilada según la norma EN 50581:2012

Todd Chipner
Director principal, Director General de Normativa y Seguridad
Winnenden, Jan. 31, 2019



Autorizado para elaborar la ficha técnica:
Alexander Krug, Administrador Ejecutivo
Technronic Industries GmbH
Max-Eyth-Straße 10, 71364 Winnenden, Germany

IT DICHIARAZIONE DI CONFORMITÀ

Technronic Industries GmbH
Max-Eyth-Straße 10, 71364 Winnenden, Germany

Si dichiara con la presente che il prodotto

Levigatrice a Nastro
Marca: RYOBI
Numero modello: EBS800 / EBS800V
Gamma numero seriale:
EBS800: 44413404000001-44413404999999
EBS800V: 44413604000001-44413604999999

è conforme alle seguenti Direttive Europee e ai seguenti standard armonizzati
2006/42/EC, 2014/30/EU, 2011/65/EU
EN 55014-1-2017, EN 55014-2-2015, EN 61000-3-2:2014, EN 61000-3-3:2013,
EN 62841-1-2015, EN 62841-2-4:2014
La documentazione RoHS è stata compilata come indicato dalle norme EN 50581:2012

Todd Chipner
Sig. Direttore, Dipartimento Regolazioni & Sicurezza
Winnenden, Jan. 31, 2019



Autorizzato per compilare il file tecnico:
Alexander Krug, Direttore Amministrativo
Technronic Industries GmbH
Max-Eyth-Straße 10, 71364 Winnenden, Germany

NL CONFORMITEITSVERKLARING

Technronic Industries GmbH
Max-Eyth-Straße 10, 71364 Winnenden, Germany

Hierbij verklaren wij dat het product

Ponceuse à Bande
Merk: RYOBI
Modelnummer: EBS800 / EBS800V
Seriennummerbereik:
EBS800: 44413404000001-44413404999999
EBS800V: 44413604000001-44413604999999

is in overeenstemming met de volgende Europese Richtlijnen en geharmoniseerde normen
2006/42/EC, 2014/30/EU, 2011/65/EU
EN 55014-1-2017, EN 55014-2-2015, EN 61000-3-2:2014, EN 61000-3-3:2013,
EN 62841-1-2015, EN 62841-2-4:2014

RoHS-documentatie is samengesteld in overeenstemming met EN 50581:2012

Todd Chipner
Dhr. Directeur, Regelgeving en veiligheid
Winnenden, Jan. 31, 2019



Afgevaardigde voor het samenstellen van de technische fiche:
Alexander Krug, Directeur
Technronic Industries GmbH
Max-Eyth-Straße 10, 71364 Winnenden, Germany



PT DECLARAÇÃO DE CONFORMIDADE

Techtronic Industries GmbH
Max-Eyth-Straße 10, 71364 Winnenden, Germany

Pelo presente declaramos que os produtos

Lixadora de Cinto
Marca: RYOBI
Número do modelo: EBS800 / EBS800V
Intervalo do número de série:
EBS800: 44413404000001-44413404999999
EBS800V: 44413604000001-44413604999999

se encontra em conformidade com as seguintes Directivas Europeias e normas harmonizadas

2006/42/EC, 2014/30/EU, 2011/65/EU
EN 55014-1:2017, EN 55014-2:2015, EN 61000-3-2:2014, EN 61000-3-3:2013,
EN 62841-1:2015, EN 62841-2-4:2014

Documentação sobre restrição de substâncias perigosas (RoHS) compilada segundo a norma EN 50581:2012

Todd Chipner
Sr. Diretor, Regulamentação & Segurança
Winnenden, Jan. 31, 2019

Autorizado para compilar o ficheiro técnico:
Alexander Krug, Administrador Executivo
Techtronic Industries GmbH
Max-Eyth-Straße 10, 71364 Winnenden, Germany

DA OVERENSSTEMMELSESERKLÆRING

Techtronic Industries GmbH
Max-Eyth-Straße 10, 71364 Winnenden, Germany

Vi erklærer hermed, at produktet

Båndsliper
Brand: RYOBI
Modelnummer: EBS800 / EBS800V
Serienummerområde:
EBS800: 44413404000001-44413404999999
EBS800V: 44413604000001-44413604999999

er i overensstemmelse med følgende EU-direktiver og harmoniserede standarder

2006/42/EC, 2014/30/EU, 2011/65/EU
EN 55014-1:2017, EN 55014-2:2015, EN 61000-3-2:2014, EN 61000-3-3:2013,
EN 62841-1:2015, EN 62841-2-4:2014

RoHS-dokumentationen er udarbejdet i henhold til EN 50581:2012

Todd Chipner
Hr. Direktør, regler og sikkerhed
Winnenden, Jan. 31, 2019

Bemyndiget til at udarbejde det tekniske kartotek:
Alexander Krug, Administrerende Direktør
Techtronic Industries GmbH
Max-Eyth-Straße 10, 71364 Winnenden, Germany

SV KONFORMITETSDEKLARATION

Techtronic Industries GmbH
Max-Eyth-Straße 10, 71364 Winnenden, Germany

Härmed deklarerar vi att produkterna

Bandslip
Märke: RYOBI
Modellnummer: EBS800 / EBS800V
Serienummerintervall:
EBS800: 44413404000001-44413404999999
EBS800V: 44413604000001-44413604999999

är i enlighet med följande EU-direktiv och harmoniserade standarder

2006/42/EC, 2014/30/EU, 2011/65/EU
EN 55014-1:2017, EN 55014-2:2015, EN 61000-3-2:2014, EN 61000-3-3:2013,
EN 62841-1:2015, EN 62841-2-4:2014

RoHS-dokumentation sammanställd enligt EN 50581:2012

Todd Chipner
Överordnad direktör, regelverk och säkerhet
Winnenden, Jan. 31, 2019

Godkänd att sammanställa den tekniska filen:
Alexander Krug, VD
Techtronic Industries GmbH
Max-Eyth-Straße 10, 71364 Winnenden, Germany

FI SÄÄNNÖSTEN NOUDATTAMINEN

Techtronic Industries GmbH
Max-Eyth-Straße 10, 71364 Winnenden, Germany

Ilmoittamme täten, että tuotteet

Nauhahiomakone
Tuotemerkki: RYOBI
Mallinnumero: EBS800 / EBS800V
Sarjanumeroluokitus:
EBS800: 44413404000001-44413404999999
EBS800V: 44413604000001-44413604999999

noudattaa seuraavia EU-direktiivejä ja harmonoituja standardeja

2006/42/EC, 2014/30/EU, 2011/65/EU
EN 55014-1:2017, EN 55014-2:2015, EN 61000-3-2:2014, EN 61000-3-3:2013,
EN 62841-1:2015, EN 62841-2-4:2014

RoHS-dokumentointi on koottu standardin EN 50581:2012 mukaisesti

Todd Chipner
Sr. Director, säädöstenmukaisuus ja turvallisuus
Winnenden, Jan. 31, 2019

Valtuutettu kokoamaan tekninen tiedosto:
Alexander Krug, Toimitusjohtaja
Techtronic Industries GmbH
Max-Eyth-Straße 10, 71364 Winnenden, Germany

NO SAMSVARERKLÆRING

Techtronic Industries GmbH
Max-Eyth-Straße 10, 71364 Winnenden, Germany

Herved erklærer vi at produktet

Båndsliper
Merke: RYOBI
Modellnummer: EBS800 / EBS800V
Serienummerserie:
EBS800: 44413404000001-44413404999999
EBS800V: 44413604000001-44413604999999

er i samsvar med følgende europeiske direktiver og harmoniserte standarder

2006/42/EC, 2014/30/EU, 2011/65/EU
EN 55014-1:2017, EN 55014-2:2015, EN 61000-3-2:2014, EN 61000-3-3:2013,
EN 62841-1:2015, EN 62841-2-4:2014

RoHS dokumentasjonen er skrevet i samsvar med EN 50581:2012

Todd Chipner
Sr. direktør, forskrifter og sikkerhet
Winnenden, Jan. 31, 2019

Autorisert til å sette sammen den tekniske filen:
Alexander Krug, Administrerende Direktør
Techtronic Industries GmbH
Max-Eyth-Straße 10, 71364 Winnenden, Germany

RU ЗАЯВЛЕНИЕ О СООТВЕТСТВИИ ТРЕБОВАНИЯМ

Techtronic Industries GmbH
Max-Eyth-Straße 10, 71364 Winnenden, Germany

Настоящим мы заявляем, что данный продукт

Ленточная шлифовальная машина
Марка: RYOBI
Номер модели: EBS800 / EBS800V
Диапазон заводских номеров:
EBS800: 44413404000001-44413404999999
EBS800V: 44413604000001-44413604999999

соответствует требованиям следующих Директив ЕС и согласованных стандартов

2006/42/EC, 2014/30/EU, 2011/65/EU
EN 55014-1:2017, EN 55014-2:2015, EN 61000-3-2:2014, EN 61000-3-3:2013,
EN 62841-1:2015, EN 62841-2-4:2014

Документация RoHS соответствует стандарту EN 50581:2012

Todd Chipner
Г-н Директор, технике безопасности и стандартам
Winnenden, Jan. 31, 2019

Лицо, ответственное за подготовку технической документации:
Alexander Krug, Директор
Techtronic Industries GmbH
Max-Eyth-Straße 10, 71364 Winnenden, Germany

PL DEKLARACJA ZGODNOŚCI EC

Techtronic Industries GmbH
Max-Eyth-Straße 10, 71364 Winnenden, Germany

Niniejszym deklarujemy, że produkty

Szliflietra Taśmowa
Marka: RYOBI
Numer modelu: EBS800 / EBS800V
Zakres numerów seryjnych:
EBS800: 44413404000001-44413404999999
EBS800V: 44413604000001-44413604999999

jest zgodny z następującymi dyrektywami europejskimi i zharmonizowanymi normami
2006/42/EC, 2014/30/EU, 2011/65/EU
EN 55014-1-2017, EN 55014-2-2015, EN 61000-3-2:2014, EN 61000-3-3:2013,
EN 62841-1-2015, EN 62841-2-4:2014

Dokumentacja RoHS została opracowana zgodnie z normą EN 50581:2012

Todd Chipner
Starszy dyrektor ds. zgodności prawnej i bezpieczeństwa
Winnenden, Jan. 31, 2019



Osoba upoważniona do sporządzenia dokumentu technicznego:

Alexander Krug, Dyrektor Zarządzający
Techtronic Industries GmbH
Max-Eyth-Straße 10, 71364 Winnenden, Germany

CS PROHLÁŠENÍ O SHODĚ

Techtronic Industries GmbH
Max-Eyth-Straße 10, 71364 Winnenden, Germany

Tímto prohlašujeme, že výrobky

Pásová Bruska
Značka: RYOBI
Číslo modelu: EBS800 / EBS800V
Rozsah sériových čísel:
EBS800: 44413404000001-44413404999999
EBS800V: 44413604000001-44413604999999

že tento výrobek je v souladu s evropskými a harmonizovanými standardy
2006/42/EC, 2014/30/EU, 2011/65/EU
EN 55014-1-2017, EN 55014-2-2015, EN 61000-3-2:2014, EN 61000-3-3:2013,
EN 62841-1-2015, EN 62841-2-4:2014

RoHS dokumentace sestavena dle EN 50581:2012

Todd Chipner
Vyšší ředitel, normy a bezpečnost
Winnenden, Jan. 31, 2019



Pověření ke kompilaci technického souboru:

Alexander Krug, Generální Ředitel
Techtronic Industries GmbH
Max-Eyth-Straße 10, 71364 Winnenden, Germany

HU MEGFELELŐSÉGI NYILATKOZAT

Techtronic Industries GmbH
Max-Eyth-Straße 10, 71364 Winnenden, Germany

Ezúton kijelentjük, hogy a termék

Szalagcsiszoló
Márka: RYOBI
Típusszám: EBS800 / EBS800V
Sorozatszám tartomány:
EBS800: 44413404000001-44413404999999
EBS800V: 44413604000001-44413604999999

megfelel az alábbi Európai irányelvek és harmonizált szabványok vonatkozó rendelkezéseinek
2006/42/EC, 2014/30/EU, 2011/65/EU
EN 55014-1-2017, EN 55014-2-2015, EN 61000-3-2:2014, EN 61000-3-3:2013,
EN 62841-1-2015, EN 62841-2-4:2014

A RoHS dokumentáció összeállítására az EN 50581:2012 szerint történt

Todd Chipner
Senior igazgató, Megfelelőségi és biztonsági területék
Winnenden, Jan. 31, 2019



A műszaki dokumentáció összeállítására felhatalmazott:

Alexander Krug, Ügyvezető Igazgató
Techtronic Industries GmbH
Max-Eyth-Straße 10, 71364 Winnenden, Germany

RO DECLARAȚIE DE CONFORMITATE

Techtronic Industries GmbH
Max-Eyth-Straße 10, 71364 Winnenden, Germany

Prin prezenta, declarăm că produsele

Șlefuitor Cu Bandă
Marca: RYOBI
Număr serie: EBS800 / EBS800V
Gamă număr serie:
EBS800: 44413404000001-44413404999999
EBS800V: 44413604000001-44413604999999

este în conformitate cu următoarele Directive Europene și standarde armonizate
2006/42/EC, 2014/30/EU, 2011/65/EU
EN 55014-1-2017, EN 55014-2-2015, EN 61000-3-2:2014, EN 61000-3-3:2013,
EN 62841-1-2015, EN 62841-2-4:2014

Documentația RoHS este întocmită în conformitate cu EN 50581:2012

Todd Chipner
Director Senior, reglementare & siguranță
Winnenden, Jan. 31, 2019



Autorizat să completeze fișa tehnică:

Alexander Krug, Director General
Techtronic Industries GmbH
Max-Eyth-Straße 10, 71364 Winnenden, Germany

LV ATBILSTĪBAS DEKLARĀCIJA

Techtronic Industries GmbH
Max-Eyth-Straße 10, 71364 Winnenden, Germany

Ar šo paziņojam, ka produkti

Plāksņu Šlifmašīna
Zīmols: RYOBI
Modeļa numurs: EBS800 / EBS800V
Sērijas numura intervāls:
EBS800: 44413404000001-44413404999999
EBS800V: 44413604000001-44413604999999

atbilst šādām Eiropas direktīvām un saskaņotajiem standartiem
2006/42/EC, 2014/30/EU, 2011/65/EU
EN 55014-1-2017, EN 55014-2-2015, EN 61000-3-2:2014, EN 61000-3-3:2013,
EN 62841-1-2015, EN 62841-2-4:2014

RoHS dokumentācija ir izstrādāta saskaņā ar EN 50581:2012

Todd Chipner
Vecākais Direktors, darba drošības noteikumi
Winnenden, Jan. 31, 2019



Pilnvarots sastādīt tehnisko failu:

Alexander Krug, Izpilddirektors
Techtronic Industries GmbH
Max-Eyth-Straße 10, 71364 Winnenden, Germany

LT ATITIKTIES PAREIŠKIMAS

Techtronic Industries GmbH
Max-Eyth-Straße 10, 71364 Winnenden, Germany

Mes pareiškiame, kad šie produktai

Juostinės Šlifavimo Staklės
Prekės ženklas: RYOBI
Modelio numeris: EBS800 / EBS800V
Serijinio numerio diapazonas:
EBS800: 44413404000001-44413404999999
EBS800V: 44413604000001-44413604999999

pagamintas laikantis toliau nurodytųjų Europos Direktyvų ir darniųjų standartų
2006/42/EC, 2014/30/EU, 2011/65/EU
EN 55014-1-2017, EN 55014-2-2015, EN 61000-3-2:2014, EN 61000-3-3:2013,
EN 62841-1-2015, EN 62841-2-4:2014

Tam tikrų pavojingų medžiagų naudojimo elektros ir elektroninėje įrangoje apri bojimo dokumentai sudaryti pagal standartą EN 50581:2012

Todd Chipner
Vyr. direktorius, Kontrolės ir saugos
Winnenden, Jan. 31, 2019



Igaliotas sudaryti techninį failą:

Alexander Krug, Generalinis Direktorius
Techtronic Industries GmbH
Max-Eyth-Straße 10, 71364 Winnenden, Germany

ET VASTAVUSDEKLARATSIOON

Techtronic Industries GmbH
Max-Eyth-Straße 10, 71364 Winnenden, Germany

Kinnitame, et see toode

Lintihviija
Mark: RYOBI
Mudelil number: EBS800 / EBS800V
Seerianumbri vahemik:
EBS800: 44413404000001-44413404999999
EBS800V: 44413604000001-44413604999999

vastab järgmistele Euroopa direktiividele ja harmoniseeritud standarditele
2006/42/EC, 2014/30/EU, 2011/65/EU
EN 55014-1:2017, EN 55014-2:2015, EN 61000-3-2:2014, EN 61000-3-3:2013,
EN 62841-1:2015, EN 62841-2-4:2014

RoHS dokumendid on koostatud vastavuses standardi EN 50581:2012 nõuetele.



Todd Chipner
Vanemdirektor, standardiseerimise ja ohutuse alal
Winnenden, Jan. 31, 2019

Tehnilise faili koostamiseks volitatud isik:
Alexander Krug, Tegevdirektor
Techtronic Industries GmbH
Max-Eyth-Straße 10, 71364 Winnenden, Germany


HR IZJAVA O USKLADENOSTI

Techtronic Industries GmbH
Max-Eyth-Straße 10, 71364 Winnenden, Germany

Ovime Izjavljujemo Da Su Proizvodi

Tračna Brusilica
Marka: RYOBI
Broj modela: EBS800 / EBS800V
Raspon serijskog broja:
EBS800: 44413404000001-44413404999999
EBS800V: 44413604000001-44413604999999

usklađen sa sledećim Evropskim Direktivama i usklađenim normama
2006/42/EC, 2014/30/EU, 2011/65/EU
EN 55014-1:2017, EN 55014-2:2015, EN 61000-3-2:2014, EN 61000-3-3:2013,
EN 62841-1:2015, EN 62841-2-4:2014

RoHS dokumentacija sukladna je EN 50581:2012



Todd Chipner
Viši direktor, pravila i sigurnost
Winnenden, Jan. 31, 2019

Ovlašten da sastavi tehničku datoteku:
Alexander Krug, Direktor Upravljanja
Techtronic Industries GmbH
Max-Eyth-Straße 10, 71364 Winnenden, Germany


SL IZJAVA O SKLADNOSTI

Techtronic Industries GmbH
Max-Eyth-Straße 10, 71364 Winnenden, Germany

Izjavljamo, da je izdelek

Tračni Brusilnik
Znamka: RYOBI
Številka modela: EBS800 / EBS800V
Razpon serijskih številok:
EBS800: 44413404000001-44413404999999
EBS800V: 44413604000001-44413604999999

v skladu s sledećimi evropskimi direktivami in harmoniziranimi standardi
2006/42/EC, 2014/30/EU, 2011/65/EU
EN 55014-1:2017, EN 55014-2:2015, EN 61000-3-2:2014, EN 61000-3-3:2013,
EN 62841-1:2015, EN 62841-2-4:2014

Dokumentacija RoHS je sestavljena skladno s standardom EN 50581:2012



Todd Chipner
Višji direktor, zakonodajne in varnostne zadeve
Winnenden, Jan. 31, 2019

Pooblaščen oseba za sestavo tehnične dokumentacije:
Alexander Krug, Izvršni Direktor
Techtronic Industries GmbH
Max-Eyth-Straße 10, 71364 Winnenden, Germany


SK PREHLÁSENIE O ZHODE

Techtronic Industries GmbH
Max-Eyth-Straße 10, 71364 Winnenden, Germany

Týmto vyhlasujeme, že výrobok

Leštíčka
Značka: RYOBI
Číslo modelu: EBS800 / EBS800V
Rozsah sériových čísel:
EBS800: 44413404000001-44413404999999
EBS800V: 44413604000001-44413604999999

je v súlade s nasledujúcimi Európskymi smernicami a harmonizovanými normami
2006/42/EC, 2014/30/EU, 2011/65/EU
EN 55014-1:2017, EN 55014-2:2015, EN 61000-3-2:2014, EN 61000-3-3:2013,
EN 62841-1:2015, EN 62841-2-4:2014

Dokumentácia RoHS je zostavená podľa EN 50581:2012



Todd Chipner
vyšší riaditeľ, Regulácia a bezpečnosť
Winnenden, Jan. 31, 2019

Oprávnená osoba na zostavenie technického súboru:
Alexander Krug, Generálny Riaditeľ
Techtronic Industries GmbH
Max-Eyth-Straße 10, 71364 Winnenden, Germany


BG ДЕКЛАРАЦИЯ ЗА СЪОТВЕТСТВИЕ

Techtronic Industries GmbH
Max-Eyth-Straße 10, 71364 Winnenden, Germany

С настоящото декларираме, че продуктът

Лентова шлифовъчна машина
Бранд: RYOBI
Номер на модела: EBS800 / EBS800V
Обхват на серийни номера:
EBS800: 44413404000001-44413404999999
EBS800V: 44413604000001-44413604999999

е в съответствие със следните европейски директиви и хармонизираните стандарти

2006/42/EC, 2014/30/EU, 2011/65/EU
EN 55014-1:2017, EN 55014-2:2015, EN 61000-3-2:2014, EN 61000-3-3:2013,
EN 62841-1:2015, EN 62841-2-4:2014

Документацията за RoHS е съставена в съответствие с EN 50581:2012



Todd Chipner
Главен директор, отдел Нормативни изисквания и безопасност
Winnenden, Jan. 31, 2019

Упълномощено лице за съставяне на техническия файл:
Alexander Krug, Управляващ директор
Techtronic Industries GmbH
Max-Eyth-Straße 10, 71364 Winnenden, Germany


UK ДЕКЛАРАЦИЯ ПРО ВІДПОВІДНІСТЬ

Techtronic Industries GmbH
Max-Eyth-Straße 10, 71364 Winnenden, Germany

При цьому ми заявляємо, що продукт

Стрічко-шлифувальної машини
Марка: RYOBI
Номер моделі: EBS800 / EBS800V
Діапазон серійного номеру:
EBS800: 44413404000001-44413404999999
EBS800V: 44413604000001-44413604999999

у відповідності з наступними європейськими директивами та гармонізованими стандартами

2006/42/EC, 2014/30/EU, 2011/65/EU
EN 55014-1:2017, EN 55014-2:2015, EN 61000-3-2:2014, EN 61000-3-3:2013,
EN 62841-1:2015, EN 62841-2-4:2014

Документація RoHS складена відповідно до EN 50581:2012



Todd Chipner
Ген. директор, регулювання і безпека
Winnenden, Jan. 31, 2019

Дозвіл на складання технічного файла:
Alexander Krug, Керуючий директор
Techtronic Industries GmbH
Max-Eyth-Straße 10, 71364 Winnenden, Germany



**TR UYGUNLUK BEYANI**

Techtronic Industries GmbH
Max-Eyth-Straße 10, 71364 Winnenden, Germany

Böylelikle beyan ederiz ki; ürün
Bantlı Zımpara Makinesi
Marka: RYOBI
Model numarası: EBS800 / EBS800V
Seri numarası aralığı:
EBS800: 44413404000001-44413404999999
EBS800V: 44413604000001-44413604999999

aşağıdaki Avrupa Direktifleri ve uyumlaştırılmış standartlara uygundur
2006/42/EC, 2014/30/EU, 2011/65/EU
EN 55014-1:2017, EN 55014-2:2015, EN 61000-3-2:2014, EN 61000-3-3:2013,
EN 62841-1:2015, EN 62841-2-4:2014

RoHS belgeleri EN 50581:2012 uyarınca derlenmiştir

Todd Chipner
Kıdemli Direktör, Düzenleme ve Güvenlik
Winnenden, Jan. 31, 2019

Teknik dosya hazırlamaya yetkilidir:
Alexander Krug, Genel Müdür
Techtronic Industries GmbH
Max-Eyth-Straße 10, 71364 Winnenden, Germany

**EL ΔΗΛΩΣΗ ΣΥΜΜΟΡΦΩΣΗΣ**

Techtronic Industries GmbH
Max-Eyth-Straße 10, 71364 Winnenden, Germany

Δια του παρόντος δηλώνουμε ότι το προϊόν
Ταινιοτριβείο
Μάρκα: RYOBI
Αριθμός μοντέλου: EBS800 / EBS800V
Εύρος σειριακών αριθμών:
EBS800: 44413404000001-44413404999999
EBS800V: 44413604000001-44413604999999

είναι σύμφωνα με τις παρακάτω Ευρωπαϊκές Οδηγίες και εναρμονισμένα πρότυπα
2006/42/EC, 2014/30/EU, 2011/65/EU
EN 55014-1:2017, EN 55014-2:2015, EN 61000-3-2:2014, EN 61000-3-3:2013,
EN 62841-1:2015, EN 62841-2-4:2014

Τα έγγραφα RoHS συντάσσονται σύμφωνα με το EN 50581:2012

Todd Chipner
Ανώτερος Διευθυντής, Τμήμα Ρυθμίσεων & Ασφάλειας
Winnenden, Jan. 31, 2019

Εξουσιοδοτημένο άτομο για σύνταξη τεχνικού αρχείου:
Alexander Krug, Διευθύνων Σύμβουλος
Techtronic Industries GmbH
Max-Eyth-Straße 10, 71364 Winnenden, Germany



- EN** RYOBI is a trademark of Ryobi Limited, and is used under license.
FR RYOBI est une marque déposée de Ryobi Limited, et est utilisée sous license.
DE RYOBI ist ein Markenzeichen von Ryobi Limited und wird in Lizenz verwendet.
ES RYOBI es una marca registrada de Ryobi Limited, y se utiliza bajo licencia.
IT L'utilizzo del marchio registrato RYOBI è legato alla licenza concessa da Ryobi Limited.
NL RYOBI is een handelsmerk van Ryobi Limited en wordt onder licentie gebruikt.
PT RYOBI é uma marca comercial de Ryobi Limited, e é utilizada sob licença.
DA RYOBI er et varemærke tilhørende Ryobi Limited og bruges under licens.
SV RYOBI är en del av varumärket Ryobi Limited och dess användning är licensierad.
FI RYOBI on Ryobi Limitedin omistama tavaramerkki, ja sitä käytetään lisenssin puitteissa.
NO RYOBI er et varemærke for Ryobi Limited, og brukes under lisens.
RU RYOBI является товарным знаком компании Ryobi Limited, используемым по лицензии.
PL RYOBI to znak towarowy firmy Ryobi Limited i jest używany zgodnie z udzieloną licencją.
CS RYOBI je ochranná známka společnosti Ryobi Limited a její používání podléhá licenci.
HU A RYOBI a Ryobi Limited védjegye, használatá licenc keretében történik.
RO RYOBI este o marcă comercială a firmei Ryobi Limited și este utilizată sub licență.
LV RYOBI ir Ryobi Limited preču zīme un tiek izmantota saskaņā ar licenci.
LT „RYOBI” yra „Ryobi Limited” prekės ženklas, naudojamas pagal licenciją.
ET RYOBI on ettevõtte Ryobi Limited kaubamärk, mida kasutatakse litsentsi alusel.
HR RYOBI je žig tvrtke Ryobi Limited i koristi se po licenci.
SL RYOBI je blagovna znamka družbe Ryobi Limited in se uporablja na podlagi dovoljenja.
SK RYOBI je ochranná známka spoločnosti Ryobi Limited a používa sa na základe licencie.
BG RYOBI е търговска марка на Ryobi Limited и се използва под лиценз.
UK RYOBI є товарним знаком Ryobi Limited, і використовується за ліцензією.
TR RYOBI, Ryobi Limited şirketine ait olup, lisans altında kullanılan bir ticari markadır.
EL Το RYOBI αποτελεί εμπορικό σήμα της Ryobi Limited και χρησιμοποιείται μετά από χορήγηση άδειας.





Techtronic Industries GmbH
Max-Eyth-Straße 10,
71364 Winnenden, Germany

20190122v9