

RYOBI®

OBL1820H

ORIGINAL INSTRUCTIONS
TRADUCTION DES INSTRUCTIONS ORIGINALES
ÜBERSETZUNG DER ORIGINALANLEITUNG
TRADUCCIÓN DE LAS INSTRUCCIONES ORIGINALES
TRADUZIONE DELLE ISTRUZIONI ORIGINALI
VERTALING VAN DE ORIGINELE INSTRUCTIES
TRADUÇÃO DAS INSTRUÇÕES ORIGINAIS
OVERSÆTTELSE AF DE ORIGINALE INSTRUKTIONER
ÖVERSÄTTNING AV DE URSPRUNGLIGA INSTRUKTIONERNA
ALKUPERÄISTEN OHJEIDEN SUOMENNO
OVERSETTELSE AV DE ORIGINALE INSTRUKSJONENE
ПЕРЕВОД ОРИГИНАЛЬНЫХ ИНСТРУКЦИЙ
TŁUMACZENIE INSTRUKCJI ORYGINALNEJ
PŘEKLAD ORIGINÁLNÍCH POKYNŮ
AZ EREDETI ÚTMUTATÓ FORDÍTÁSA
TRADUCEREA INSTRUCȚIUNILOR ORIGINALE
TULKOTS NO ORIĢINĀLĀS INSTRUKCIJAS
ORIGINALIŲ INSTRUKCIJŲ VERTIMAS
ORIGINAALJUHENDI TÕLGE
PRIJEVOD ORIGINALNIH UPUTA
PREVOD ORIGINALNIH NAVODIL
PREKLAD ORIGINÁLNYCH POKYNOV
ПРЕВОД ОТ ОРИГИНАЛНИТЕ ИНСТРУКЦИИ



EN
FR
DE
ES
IT
NL
PT
DA
SV
FI
NO
RU
PL
CS
HU
RO
LV
LT
ET
HR
SL
SK
BG





Important!	It is essential that you read the instructions in this manual before assembling, operating and maintaining the product.
Attention!	Il est essentiel que vous lisiez les instructions contenues dans ce mode d'emploi avant d'assembler, d'entretenir et d'utiliser cette machine.
Achtung!	Es ist wichtig, dass Sie vor Zusammenbau, Benutzung und Wartung dieser Maschine die Anweisungen in dieser Anleitung lesen.
¡Atención!	Antes de montar, de utilizar o de realizar el mantenimiento de esta máquina es muy importante que lea las instrucciones de este manual.
Attenzione!	È essenziale leggere le istruzioni contenute nel manuale prima di montare, mettere in funzione e svolgere le operazioni di manutenzione sull'utensile.
Let op!	Het is van essentieel belang dat u de instructies in deze gebruiksaanwijzing leest voor u deze machine monteert, bedient en onderhoudt.
Atenção!	É essencial que leia as instruções neste manual antes de montar, operar e efetuar manutenção a esta máquina.
OBS!	Det er meget vigtigt, at man læser anvisningerne i denne brugsanvisning, inden maskinen samles, betjenes og vedligeholdes.
Observera!	Det är viktigt att du läser instruktionerna i manualen före monteringen, användning och underhåll av maskinen.
Huomio!	On tärkeää, että luet tämän käsikirjan ennen tämän laitteen kokoamista, huoltoa ja käyttöä.
Advarsel!	Det er vigtigt at du leser instruksjonene i denne brukermanualen før du monterer, bruker og vedlikeholder maskinen.
Внимание!	Необходимо прочитать инструкции в данном руководстве перед сборкой, эксплуатацией и обслуживанием этого устройства.
Uwaga!	Koniecznĳe przeczytaj instrukcjĳe zawarte w tym podręczniku przed montażem, obsługą oraz konserwacją tej maszyny.
Důležitĳí upozornĳení!	Neinstalujte, neprovádĳte údržbu ani nepoužívejte tento nástroj dříve, než si přečtete pokyny uvedené v tomto návodu.
Figyelem!	Fontos, hogy a gép összeszerelése, használatá és karbantartása elótt elolvassa a kézikönyvben található utasításokat.
Atenție!	Este esențial să citiți instrucțiunile din acest manual, înainte de asamblarea, operarea sau întreținerea acestui aparat.
Uzmanību!	Pirms ierīces montāžas, darbināšanas un apkopes veikšanas obligāti izlasiet norādījumus šajā rokasgrāmatā.
Dėmesio!	Prieš surinkdami, eksploatuodami ir prižiūradami šį įrenginį, būtina, kad perskaitytumėte nurodymus, pateiktus šiose naudotojo vadove.
Tähtis!	Enne masina kokkupanekut, kasutama ja hooldama hakkamist tuleb käesolevas juhendis esitatud juhised kindlasti läbi lugeda.
Upozorenje!	Vrlo je važno da ste prije sklapanja, rada i održavanja ovog stroja pročitali upute u ovom priručniku.
Pomembno!	Zelo pomembno je, da pred sestavljanjem, vzdrževanjem in uporabo te naprave preberete navodila v tem priročniku.
Dôležitĳ!	Pred montážou, používaním a údržbou tohto nástroja je dôležitĳé, by ste si přečítali pokyny v tomto návode.
Важно!	Исключительно важно е да прочетете инструкциите в настоящето ръководство, преди да сглобите и да работите с тази машина, както и да извършвате дейности по нейната поддръжка.

Subject to technical modification / Sous réserve de modifications techniques / Technische Änderungen vorbehalten /
Bajo reserva de modificaciones técnicas / Con riserva di eventuali modifiche tecniche / Technische wijzigingen voorbehouden /
Com reserva de modificações técnicas / Med forbehold for tekniske ændringer / Med förbehåll för tekniska ändringar /
Tekniset muutokset varataan / Med forbehold om tekniske ændringer / могут быть внесены технические изменения /
Z zastrzeżeniem modyfikacji technicznych / Změny technických údajů vyhrazeny / A műszaki módosítás jogát fenntartjuk /
Sub rezerva modificațiilor tehnice / Paturam tiesības mainīt tehniskos raksturlielumus /
Pasliiekant teisę daryti techninius pakeitimus / Tehnilised muudatused võimalikud / Подложено технічким промjenama /
Tehnične spremembe dopuščene / Právo na technické zmeny je vyhradené / Подлежи на технически модификации



WARNING

When using the product, the safety rules must be followed. For your own safety and that of bystanders, you must read and fully understand these instructions before operating the product. Please keep these instructions safe for later use.

WARNING

The product is not intended to be used by children or persons with reduced physical, mental or sensory capabilities. Children should be adequately supervised to ensure they do not play with the product.

TRAINING

- Read the instructions carefully. Be familiar with the controls and the correct use of the product.
- Never allow children, persons with reduced physical, sensory or mental capabilities or lack of experience and knowledge or people unfamiliar with these instructions to use the product. Local regulations may restrict the age of the operator.
- Keep in mind, that the operator or user is responsible for accidents or hazards occurring to other people or their property.
- Keep bystanders, children and pets 15 m away from the area of operation. Stop the product if anyone enters the area.

PREPARATION

- Some regions have regulations that restrict the use of the product to some operations. Check with your local authority for advice.
- While operating the product always wear substantial footwear and long trousers. Do not operate the product when barefoot or wearing open sandals. Avoid wearing clothing that is loose fitting or that has hanging cords or ties; they can be caught in moving parts.
- Do not wear loose clothing or jewellery that can be drawn into the air inlet.
- Secure long hair so it is above shoulder level to prevent entanglement in moving parts.
- Wear hearing protection at all times whilst operating the product. This product is extremely noisy and permanent hearing injury may result if precautions to limit your exposure, reduce noise and wear hearing protection are not strictly adhered to.
- Wear full eye protection at all times whilst operating this product. The manufacturer strongly suggests a full face mask or fully enclosed goggles. Normal spectacles or sun glasses are not adequate protection. Objects can be thrown at high speed by the powerful air jet at any time and may rebound from hard surfaces toward the operator.
- Ensure before each use that all controls and safety devices function correctly. Do not use the product if the "off" switch does not stop the product.
- Before each use, always visually inspect to see, that the

housing is undamaged and that guards and handles are in place and properly secured.

- Return to an authorised service centre to replace damaged or unreadable labels.
- Never operate the product with defective guards or shields, or without safety devices, for example debris collector in place.
- Keep all cooling air inlets clear of debris.
- Use rakes and brooms to loosen debris before blowing.
- Clear the work area before each use. Remove all objects such as rocks, broken glass, nails, wire, or string which can be blown a considerable distance by high velocity air.

GENERAL SAFETY WARNINGS

WARNING

Read all safety warnings and all instructions. Failure to follow the warnings and instructions may result in electric shock, fire and/or serious injury. **Save all warnings and instructions for future reference.**

The term "power tool" in the warnings refers to your mains-operated (corded) power tool or battery-operated (cordless) power tool.

WORK AREA SAFETY

- **Keep work area clean and well lit.** Cluttered or dark areas invite accidents.
- **Do not operate power tools in explosive atmospheres, such as in the presence of flammable liquids, gases or dust.** Power tools create sparks which may ignite the dust or fumes.
- **Keep children and bystanders away while operating a power tool.** Distractions can cause you to lose control.

ELECTRICAL SAFETY

- **Power tool plugs must match the outlet. Never modify the plug in any way. Do not use any adapter plugs with earthed (grounded) power tools.** Unmodified plugs and matching outlets will reduce risk of electric shock.
- **Avoid body contact with earthed or grounded surfaces, such as pipes, radiators, ranges and refrigerators.** There is an increased risk of electric shock if your body is earthed or grounded
- **Do not expose power tools to rain or wet conditions.** Water entering a power tool will increase the risk of electric shock.
- **Do not abuse the cord. Never use the cord for carrying, pulling or unplugging the power tool. Keep cord away from heat, oil, sharp edges or moving parts.** Damaged or entangled cords increase the risk of electric shock.
- **When operating a power tool outdoors, use an extension cord suitable for outdoor use.** Use of a cord suitable for outdoor use reduces the risk of electric shock.

- If operating a power tool in a damp location is unavoidable, use a residual current device (RCD) protected supply. Use of an RCD reduces the risk of electric shock.

PERSONAL SAFETY

- Stay alert, watch what you are doing and use common sense when operating a power tool. Do not use a power tool while you are tired or under the influence of drugs, alcohol or medication. A moment of inattention while operating power tools may result in serious personal injury.
- Use personal protective equipment. Always wear eye protection. Protective equipment such as dust mask, non-skid safety shoes, hard hat or hearing protection used for appropriate conditions will reduce personal injuries.
- Prevent unintentional starting. Ensure the switch is in the off-position before connecting to power source and/or battery pack, picking up or carrying the tool. Carrying power tools with your finger on the switch or energising power tools that have the switch on invites accidents.
- Remove any adjusting key or wrench before turning the power tool on. A wrench or a key left attached to a rotating part of the power tool may result in personal injury.
- Do not overreach. Keep proper footing and balance at all times. This enables better control of the power tool in unexpected situations.
- Dress properly. Do not wear loose clothing or jewellery. Keep your hair, clothing and gloves away from moving parts. Loose clothes, jewellery or long hair can be caught in moving parts.
- If devices are provided for the connection of dust extraction and collection facilities, ensure these are connected and properly used. Use of dust collection can reduce dust-related hazards.

POWER TOOL USE AND CARE

- Do not force the power tool. Use the correct power tool for your application. The correct power tool will do the job better and safer at the rate for which it was designed.
- Do not use the power tool if the switch does not turn it on and off. Any power tool that cannot be controlled with the switch is dangerous and must be repaired.
- Disconnect the plug from the power source and/or the battery pack from the power tool before making any adjustments, changing accessories or storing power tools. Such preventive safety measures reduce the risk of starting the power tool accidentally.
- Store idle power tools out of the reach of children and do not allow persons unfamiliar with the power tool or these instructions to operate the power tool. Power tools are dangerous in the hands of untrained users.
- Maintain power tools. Check for misalignment or binding of moving parts, breakage of parts and any other condition that may affect the power tool's operation. If damaged, have the power tool repaired

before use. Many accidents are caused by poorly maintained power tools.

- Keep cutting tools sharp and clean. Properly maintained cutting tools with sharp cutting edges are less likely to bind and are easier to control.
- Use the power tool, accessories and tool bits etc, in accordance with these instructions, taking into account the working conditions and the work to be performed. Use of the power tool for operations different from those intended could result in a hazardous situation.

BATTERY TOOL USE AND CARE

- Recharge only with the charger specified by the manufacturer. A charger that is suitable for one type of battery pack may create a risk of fire when used with another battery pack.
- Use power tools only with specifically designated battery packs. Use of any other battery packs may create a risk of injury and fire
- When battery pack is not in use, keep it away from other metal objects, like paper clips, coins, keys, nails, screws or other small metal objects, that can make a connection from one terminal to another. Shorting the battery terminals together may cause burns or a fire.
- Under abusive conditions, liquid may be ejected from the battery; avoid contact. If contact accidentally occurs, flush with water. If liquid contacts eyes, additionally seek medical help. Liquid ejected from the battery may cause irritation or burns.

SERVICE

- Have your power tool serviced by a qualified repair person using only identical replacement parts. This will ensure that the safety of the power tool is maintained.

ADDITIONAL SAFETY WARNINGS

- Avoid unintentional starting. Always check that the switch is in the OFF position before plugging in the product to the power supply or installing the battery pack. Do not carry a plugged in machine with your finger on the switch.
- Do not expose the product to rain or wet conditions. Water entering an appliance will increase the risk of electric shock.
- Electrical power should be supplied via a residual current device (RCD) with a tripping current of not more than 30 mA.
- Before every use, examine the power cord for damage. If there are signs of damage, it must be replaced by an Authorised Service Centre. Always uncoil the power cord during use, coiled cables can overheat.
- If you need to use an extension cord ensure it is suitable for outdoor use and has a current capacity rating sufficient to supply your tool. The extension cord cable should be marked with either "H05 RN-F" or "H05 VV-F". Check it before every use for damage, always uncoil it during use because coiled cords can overheat.

Damaged extension cords should not be repaired, they should be replaced with an equivalent type.

- Make sure the power cord is positioned so that it will not be stepped on, tripped over or otherwise subjected to damage or stress.
- Never pick up or carry the product by the electric cable.
- Never pull by the power cord to disconnect from the power supply.
- Keep the power cord away from heat, oil and sharp edges.
- Always direct the cable to the rear away from the product.
- Make sure voltage is correct for your product. A nameplate on the product indicates the unit's voltage. Never connect the product to an AC voltage that differs from this voltage.
- Make sure the switch is in OFF position before disconnecting from power supply or remove battery pack.

OPERATION

- If the cord becomes damaged during use, disconnect the cord from the power supply immediately. **Do not touch the cord before disconnecting the power supply.** Do not use the product if the cord is damaged or worn.
- Operate the product only at reasonable hours – not early in the morning or late at night when people might be disturbed.
- Never operate the product in an explosive atmosphere.
- Avoid using the product in bad weather conditions especially when there is a risk of lightning.
- Do not operate in poor lighting. The operator requires a clear view of the work area to identify potential hazards.
- Use of hearing protection reduces the ability to hear warnings (shouts or alarms). The operator must pay extra attention to what is going on in the working area.
- Do not get distracted and always concentrate on what you are doing. Think about and consider the effect of your actions carefully.
- Operating similar tools nearby increases both the risk of hearing injury and the potential for other persons to enter your working area.
- Keep firm footing and balance. Do not overreach. Overreaching can result in loss of balance.
- Always be sure of the footing on slopes and walk, never run.
- Keep all parts of your body away from any moving part. Rotating impeller blades can cause severe injury.
- Never run the product without the proper equipment attached. When used as a blower, always install the blower tubes.
- Do not modify the product in any way or use parts and accessories which are not recommended by the manufacturer.

⚠ WARNING

If the product is dropped, suffers heavy impact or begins to vibrate abnormally, immediately stop the product and inspect for damage or identify the cause of the vibration. Any damage should be properly repaired or replaced by an authorised service centre.

- To reduce the risk of injury associated with contacting rotating parts, always stop the product, disconnect from the mains or remove the battery, and make sure all moving parts have come to a stop:
 - before cleaning or clearing a blockage
 - when leaving the product unattended
 - before installing or removing attachments
 - before checking, maintenance or working on the product
 - after striking a foreign object to inspect the product for damage
 - if the product starts to vibrate abnormally (inspect immediately)

⚠ WARNING

Your blower may be supplied with a harness. Carefully adjust the harness to comfortably help to support the weight of the product.

Identify the quick release mechanism and practice using it before you start using the product. Its correct use may prevent serious injury in the case of an emergency. Never wear additional clothing over the harness or otherwise restrict access to the quick release mechanism.

BLOWER SAFETY WARNINGS

- Wear a face filter mask in dusty conditions to reduce the risk of injury associated with the inhalation of dust.
- Do not point the blower nozzle in the direction of people or pets.
- Never place objects inside the blower tubes.
- Do not operate the product near open windows, etc.
- Slightly dampen surfaces in dusty conditions.
- Use the full blower nozzle extension so the air stream can work close to the ground.
- Do not place blower on top of or near loose debris. Debris may be sucked into intake vent resulting in possible damage to the product.

ADDITIONAL SAFETY INSTRUCTIONS FOR BATTERY PACKS

- Read, understand and always follow the safety instructions which came with your battery and charger. Failure to do so may result in electric shock, fire or other hazardous situations. Keep all the instructions together in a safe place for future reference.
- Battery operated product do not have to be plugged into an electrical outlet; therefore, they are always in operating condition. Remove the disabling device whenever you are not operating the product.



- Remove the battery pack before making any adjustments, cleaning, or removing material from the product.
- Do not place battery products or their batteries near fire or heat. This increases the risk of explosion and possibly injury.
- Do not open or mutilate the battery pack. Released electrolyte is corrosive and may cause damage to the eyes or skin. It may be toxic if swallowed.
- Protect the battery pack against moisture and water. Do not charge the battery in a damp or wet location. Following this rule will reduce the risk of electric shock.
- In case of damage and improper use of the battery, vapour may be emitted. Provide for fresh air and seek medical help in case of complaints. The vapour can irritate the respiratory system.
- Do not leave the battery pack in a vehicle or outdoor storage during hot or cold conditions.
- Do not incinerate the battery. When the battery is beyond it's useful life, dispose of it correctly according to the local regulations in your area.
- Under abusive conditions, liquid may be ejected from the battery; avoid contact. If contact accidentally occurs, flush with water. If liquid contacts eyes, additionally seek medical help. Liquid ejected from the battery may cause irritation or burns.

TRANSPORTATION AND STORAGE

- Stop the product, disconnect from the mains or remove the battery, and allow it to cool before storing or transporting.
- Clean all foreign material from the product. Store it in a cool dry and well-ventilated place that is inaccessible to children. Keep away from corrosive agents such as garden chemicals and de-icing salts. Do not store outdoors.
- For transportation, secure the product against movement or falling to prevent injury to persons or damage to the product.

MAINTENANCE

WARNING

Use only original manufacturer's replacement parts, accessories and attachments. Failure to do so can cause possible injury, poor performance and may void your warranty.

WARNING

Servicing requires extreme care and knowledge and should be performed only by a qualified service technician. For service we suggest you return the product to your nearest authorised service centre for repair. When servicing, use only identical replacement parts.

- You may make adjustments and repairs described

here. For other repairs, contact the authorised service agent.

- After each use, clean the product with a soft dry cloth.
- Check all nuts, bolts and screws at frequent intervals for proper tightness to ensure the product is in safe working condition. Any part that is damaged should be properly repaired or replaced by an authorised service centre.

INTENDED USE

The product is only intended for use outdoors.

The product is not intended to be used by children or persons with reduced physical, mental or sensory capabilities.

The product is intended for blowing light debris including leaves, grass and other garden refuse.

RESIDUAL RISKS

Even when the product is used as prescribed, it is still impossible to completely eliminate certain residual risk factors. The following hazards may arise in use and the operator should pay special attention to avoid the following:

- Injury caused by vibration. Always use the right tool for the job, use designated handles and restrict working time and exposure.
- Exposure to noise can cause hearing injury. Wear ear protection and limit exposure.
- Injury from flying objects from the blow tube airflow. Wear adequate eye protection at all times.

RISK REDUCTION

It has been reported that vibrations from hand-held tools may contribute to a condition called Raynaud's Syndrome in certain individuals. Symptoms may include tingling, numbness and blanching of the fingers, usually apparent upon exposure to cold. Hereditary factors, exposure to cold and dampness, diet, smoking and work practices are all thought to contribute to the development of these symptoms. There are measures that can be taken by the operator to possibly reduce the effects of vibration:

- Keep your body warm in cold weather. When operating the product wear gloves to keep the hands and wrists warm. It is reported that cold weather is a major factor contributing to Raynaud's Syndrome.
- After each period of operation, exercise to increase blood circulation.
- Take frequent work breaks. Limit the amount of exposure per day.

If you experience any of the symptoms of this condition, immediately discontinue use and see your doctor about these symptoms.

WARNING

Injuries may be caused, or aggravated, by prolonged use of a tool. When using any tool for prolonged periods, ensure you take regular breaks.





KNOW YOUR PRODUCT

See page 131.





1. Handle
2. Cord retainer
3. On/off switch
4. Blow tube
5. High speed nozzle
6. Battery pack
7. Battery charger
8. Power cord

SYMBOLS ON THE PRODUCT

-  Read and understand all instructions before operating the product, follow all warnings and safety instructions.
-  Beware of thrown or flying objects. Keep all bystanders, especially children and pets, at least 15 m away from the operating area
-  Wear ear protection.
-  Wear eye protection.
-  Do not expose to rain or damp condition.
-  Switch off: remove plug from mains before cleaning or maintenance
-  Remove plug from the mains immediately before maintenance or if cable is damaged or cut.
-  Conforms to all regulatory standards in the country in the EU where the product is purchased.
-  EurAsian Conformity Mark
-  Ukrainian mark of conformity
-  Class II tool, double insulation
-  Waste electrical products should not be disposed of with household waste. Please recycle where facilities exist. Check with your local authority or retailer for recycling advice.
-  The guaranteed sound power level is shown on this label by 94 dB.

-  Power supply: Battery (DC 18V)
-  Power supply: Electric (AC 230V)

SYMBOLS IN THIS MANUAL

-  Connect to power outlet.
-  Disconnect from power outlet.
-  Note
-  Warning

The following signal words and meanings are intended to explain the levels of risk associated with this product.

- ⚠ DANGER**
Indicates an imminently hazardous situation, which, if not avoided, will result in death or serious injury.
- ⚠ WARNING**
Indicates a potentially hazardous situation, which, if not avoided, could result in death or serious injury.
- ⚠ CAUTION**
Indicates a potentially hazardous situation, which, if not avoided, may result in minor or moderate injury.
- CAUTION**
Without safety alert symbol
Indicates a situation that may result in property damage.

AVERTISSEMENT

Suivez les règles de sécurité lorsque vous utilisez le produit. Pour votre sécurité et celle des passants, vous devez lire et totalement comprendre ces instructions avant d'utiliser le produit. Veuillez conserver ce manuel pour vous-y reporter dans le futur.

AVERTISSEMENT

Ce produit ne doit pas être utilisé par des enfants ou par des personnes aux capacités physiques, sensorielles ou mentales diminuées. Les enfants doivent être bien surveillés afin de s'assurer qu'ils ne jouent pas avec le produit.

ENTRAÎNEMENT

- Lisez attentivement les instructions. Familiarisez-vous avec les commandes du produit ainsi qu'avec son utilisation correcte.
- Ne laissez jamais les enfants, les personnes aux capacités physiques, sensorielles ou mentales réduites ou manquant d'expérience et de connaissances, ou les personnes non familiarisées avec ces instructions utiliser ce produit. Les lois locales peuvent imposer un âge minimum à l'opérateur.
- Gardez à l'esprit que l'opérateur est responsable des accidents qui arrivent aux autres personnes présentes dans sa propriété.
- Gardez les passants, les enfants et les animaux éloignés d'au moins 15 m de l'aire de travail. Arrêtez la machine lorsque quiconque pénètre dans la zone.

PRÉPARATION

- La législation de certaines régions restreint l'utilisation du produit à certaines opérations. Contactez les autorités locales pour obtenir des conseils.
- Lorsque vous utilisez le produit, portez toujours des chaussures adéquates ainsi que des pantalons longs. N'utilisez pas la machine pieds nus ou avec des sandales ouvertes. Évitez tout habillement ample ou comportant des cordons ou cravates qui pendent et seraient susceptibles d'être happés par les pièces en mouvement.
- Ne portez pas de vêtements amples ou de bijoux qui pourraient être attirés vers l'entrée d'air.
- Attachez les cheveux longs au-dessus du niveau des épaules afin d'éviter qu'ils ne se prennent dans les parties en mouvement.
- Portez une protection auditive en permanence lorsque vous utilisez ce produit. Cette machine est extrêmement bruyante et pourrait provoquer une perte d'audition permanente si des mesures de précautions telles que la réduction de l'exposition, la réduction du bruit et le port d'une protection auditive ne sont pas suivies de façon stricte.
- Portez une protection oculaire totale en permanence lorsque vous utilisez ce produit. Le fabricant recommande fortement le port d'un masque facial total ou de lunettes de protection complètement fermées.

Des lunettes de vue ou de soleil ne constituent pas une protection adéquate. Des objets peuvent être projetés à haute vitesse à tout moment par le puissant flux d'air et peuvent rebondir sur des surfaces dures en direction de l'opérateur.

- Avant chaque utilisation assurez-vous que toutes les commandes et tous les organes de sécurité fonctionnent correctement. N'utilisez pas l'outil si son interrupteur "arrêt" est inopérant à arrêter le produit.
- Avant chaque utilisation, procédez toujours à une vérification visuelle afin de vous assurer que les carters n'ont pas été endommagés et que les protections et poignées sont en place et bien fixées.
- Adressez-vous à un service après-vente agréé pour le remplacement des étiquettes abîmées ou illisibles.
- N'utilisez jamais un produit dont les carters ou les protections sont endommagés ou dont les éléments de sécurité, comme le collecteur de débris, ne sont pas en place.
- Gardez toutes les entrées d'air de refroidissement exemptes de débris.
- Utilisez un râteau et un balai pour désagglutiner les débris avant de les souffler/aspirer.
- Dégagez la zone de travail avant chaque utilisation. Retirez tous les objets tels que pierres, verre brisé, clous, câbles ou ficelle qui pourraient se voir projeter à une distance considérable par la haute vitesse de l'air.

AVERTISSEMENTS GÉNÉRAUX DE SÉCURITÉ

AVERTISSEMENT

Lisez tous les avertissements de sécurité et toutes les instructions. Le non-respect des avertissements et instructions peut entraîner une décharge électrique, un incendie et/ou de graves blessures.

Conservez ces avertissements et instructions pour pouvoir vous y reporter ultérieurement. Le terme « outil électrique » dans les avertissements se rapporte à votre outil électrique alimenté par secteur (à Fil) ou par batterie (sans fil).

ENVIRONNEMENT DE TRAVAIL

- **Gardez l'espace de travail propre et bien éclairé.** Les espaces de travail sombres ou encombrés sont propices aux accidents.
- **N'utilisez pas d'outil électrique en atmosphère explosive, comme en présence de liquides inflammables, de gaz ou de poussières.** Les appareils électriques produisent des étincelles susceptibles d'enflammer poussières et vapeurs.
- **Gardez les enfants et les visiteurs à distance lorsque vous utilisez un outil électrique.** Les distractions peuvent entraîner une perte de contrôle.

SÉCURITÉ ÉLECTRIQUE

- **Les fiches secteur des outils électriques doivent correspondre à la prise de courant. Ne modifiez jamais la fiche secteur d'aucune façon. N'utilisez pas d'adaptateurs avec les outils électriques reliés**



à la terre. L'utilisation de fiches secteur non modifiées et adaptées à la prise de courant réduit le risque de décharge électrique.

- **Évitez que votre corps entre en contact avec des surfaces reliées à la terre, telles que des tuyaux, radiateurs, cuisinières et réfrigérateurs.** Le risque de décharge électrique est accru si votre corps est électriquement relié à la terre.
- **N'exposez ce produit à la pluie ou à des conditions humides.** La pénétration d'eau dans un outil électrique augmente le risque de décharge électrique.
- **Ne maltraitez pas le câble d'alimentation. Ne vous servez jamais du câble d'alimentation pour transporter l'outil, pour le tirer, ou pour en débrancher la fiche secteur. Gardez le câble à l'écart de la chaleur, de l'huile, des bords coupants et des pièces en mouvement.** Les câbles endommagés ou emmêlés augmentent le risque de décharge électrique.
- **Lorsque vous utilisez un outil électrique en extérieur, utilisez une rallonge adaptée à un usage en extérieur.** L'utilisation d'une rallonge adaptée à un usage en extérieur réduit les risques de choc électrique.
- **S'il n'est pas possible d'éviter d'utiliser un outil électrique en environnement humide, utilisez une alimentation électrique équipée d'un disjoncteur différentiel.** L'utilisation d'un disjoncteur différentiel réduit le risque de choc électrique.

SÉCURITÉ PERSONNELLE

- **Restez vigilant, regardez ce que vous faites et faites preuve de bon sens lorsque vous utilisez un outil électrique. N'utilisez pas d'outil électrique si vous êtes fatigué ou sous l'influence de l'alcool, de drogues ou de médicaments.** Un moment d'inattention lors de l'utilisation d'un outil électrique suffit à provoquer de graves blessures.
- **Utilisez des protections individuelles. Portez toujours une protection oculaire.** Des équipements de protection tels qu'un masque anti-poussières, des chaussures de sécurité antidérapantes, ou une protection auditive dans les conditions appropriées réduit le risque de blessures.
- **Prévenez les mises en marche accidentelles. Assurez-vous que l'interrupteur est en position «arrêt» avant la connexion au secteur et/ou l'insertion de la batterie, ainsi qu'avant de saisir ou de transporter l'outil.** Le transport d'un outil électrique avec votre doigt sur l'interrupteur ou la mise sous tension d'un outil dont l'interrupteur est en position «marche» est propice aux accidents.
- **Retirez toute clé ou tout outil de réglage avant de mettre l'outil électrique en marche.** Une clé ou un outil laissé sur une partie tournante d'un outil électrique est susceptible d'entraîner des blessures.
- **Ne travaillez pas en extension. Prenez bien appui sur vos jambes et ne tendez pas le bras trop loin.** Vous contrôlerez ainsi mieux l'outil électrique en cas d'imprévu.
- **Portez des vêtements adéquats. Ne portez pas de vêtements ou de bijoux amples. Maintenez vos cheveux, vos vêtements et vos gants éloignés**

des parties en mouvement. Les vêtements et bijoux amples ainsi que les cheveux longs sont susceptibles d'être happés par les parties en mouvement.

- **Si un dispositif d'extraction et de collecte des poussières est fourni, assurez-vous que ce dispositif est installé et utilisé de façon correcte.** L'utilisation d'un dispositif de collecte des poussières réduit les risques associés aux poussières.

UTILISATION ET ENTRETIEN DES OUTILS ÉLECTRIQUES

- **Ne faites pas forcer le produit. Utilisez un outil électrique adapté au travail à effectuer.** Un outil électrique adapté utilisé dans les limites de ses capacités effectuera un meilleur travail dans de meilleures conditions de sécurité.
- **N'utilisez pas un outil électrique dont l'interrupteur marche/arrêt est inopérant.** Tout outil électrique qui ne peut pas être contrôlé par son interrupteur est dangereux et doit être réparé.
- **Débranchez la fiche secteur de la source de courant et/ou le pack batterie de l'outil électrique avant d'effectuer tout réglage, tout changement d'accessoire, et avant de le ranger.** De telles mesures préventives de sécurité réduisent les risques de mettre accidentellement en marche l'outil électrique.
- **Rangez les outils électriques inutilisés hors de portée des enfants et ne laissez pas les personnes non familiarisées avec l'outil électrique ou avec ces instructions s'en servir.** Les outils électriques sont dangereux entre des mains non entraînées.
- **Entretenez les outils électriques. Vérifiez que les pièces en mouvement sont bien alignées et non déformées, qu'aucune pièce n'est cassée ou mal montée, et qu'aucun autre problème n'est susceptible d'affecter le bon fonctionnement de l'outil électrique.** En cas de dommage, faites réparer l'outil électrique avant de l'utiliser. Beaucoup d'accidents sont dus à des outils électriques mal entretenus.
- **Gardez les outils coupants propres et affûtés.** Les outils coupants bien entretenus et bien affûtés sont moins susceptibles de se déformer et sont plus faciles à contrôler.
- **Utilisez l'outil électrique, ses accessoires et ses embouts, etc. en concordance avec ces instructions, en prenant en compte les conditions de travail et le travail à effectuer.** L'utilisation détournée d'un outil électrique entraîne des situations dangereuses.

UTILISATION ET ENTRETIEN DES OUTILS ALIMENTÉS PAR BATTERIE

- **N'utilisez que le chargeur préconisé par le fabricant.** L'utilisation d'un chargeur prévu pour un type de batterie avec un autre type de batterie peut entraîner un risque d'incendie.
- **N'utilisez les outils électriques qu'avec les packs batterie leur étant spécifiquement destinés.** L'utilisation de tout autre pack batterie entraîne des risques de blessure et d'incendie.

EN

FR

DE

ES

IT

NL

PT

DA

SV

FI

NO

RU

PL

CS

HU

RO

LV

LT

ET

HR

SL

SK

BG





- Lorsque le pack batterie n'est pas utilisé, éloignez-le des autres objets métalliques tels que trombones, pièces de monnaie, clés, clous, vis, ou autres petits objets susceptibles de court-circuiter les bornes de la batterie. La mise en court-circuit des bornes de la batterie peut causer des brûlures et entraîner un incendie.
- Sous des conditions abusives, du liquide peut être éjecté de la batterie, évitez d'entrer en contact avec ce liquide. En cas de contact accidentel, lavez à grande eau. Si du liquide entre en contact avec les yeux, consultez immédiatement un médecin. Le liquide éjecté de la batterie peut causer des irritations ou des brûlures.

ENTRETIEN

- Faites réparer votre outil électrique par un réparateur qualifié n'utilisant que des pièces détachées identiques. Vous maintiendrez ainsi la sécurité d'utilisation de votre outil électrique.

INSTRUCTIONS DE SÉCURITÉ ADDITIONNELLES

- Évitez tout démarrage involontaire. Assurez-vous que l'interrupteur est toujours en position Off (arrêt) avant de brancher le produit sur l'alimentation. Ne déplacez pas un produit en ayant le doigt sur la gâchette lorsque celui-ci est branché.
- N'exposez ce produit à la pluie ou à des conditions humides. La pénétration d'eau dans un appareil augmente le risque de décharge électrique.
- L'appareil doit être alimenté par l'intermédiaire d'un disjoncteur différentiel d'une sensibilité minimale de 30mA.
- Avant chaque utilisation, vérifiez que le câble d'alimentation n'est pas endommagé. En cas de signe de dommage faites-le remplacer par un réparateur agréé. Déroulez toujours le câble d'alimentation en cours d'utilisation, les câbles enroulés sont susceptibles de surchauffer.
- Si vous devez utiliser une rallonge électrique, assurez-vous qu'elle est prévue pour une utilisation à l'extérieur et que sa section est suffisante pour alimenter votre outil. Le câble de la rallonge électrique doit porter la mention "H05 RN-F" ou "H05 VV-F". Vérifiez le bon état de la rallonge électrique avant chaque utilisation. La rallonge électrique doit toujours être déroulée pendant utilisation, les câbles enroulés étant susceptibles de surchauffer. Les rallonges endommagées ne doivent pas être réparées, elles doivent être remplacées par un modèle équivalent.
- Assurez-vous que le câble chemine de façon à ce que l'on ne peut pas marcher dessus ou se prendre les pieds dedans, et qu'il ne peut pas être forcé ou endommagé.
- Ne soulevez et ne transportez jamais le produit en le tenant par son câble d'alimentation.
- Ne débranchez jamais le câble d'alimentation en tirant dessus.
- Gardez le câble d'alimentation éloigné de la chaleur, des graisses et des bords coupants.
- Dirigez toujours le câble vers l'arrière en l'éloignant du

produit.

- Assurez-vous que la tension secteur est adaptée au produit. La tension de service est indiquée sur une plaque signalétique présente sur l'appareil. Ne branchez jamais le produit sur une source de courant dont la tension est différente de sa tension nominale.
- Assurez-vous que l'interrupteur est en position OFF (arrêt) avant de débrancher l'alimentation ou de retirer le pack batterie.

UTILISATION

- Si un câble d'alimentation venait à être endommagé pendant utilisation, débranchez-le immédiatement du secteur. **Ne touchez pas au câble avant d'avoir débranché l'alimentation.** N'utilisez pas la machine si le câble est endommagé ou usé.
- N'utilisez la machine qu'à des heures raisonnables – évitez de le faire tôt le matin ou tard le soir, où vous risqueriez de gêner des gens.
- N'utilisez jamais le produit dans une atmosphère explosive.
- Évitez d'utiliser le produit par mauvais temps, en particulier en cas de risque d'éclairs.
- N'utilisez pas cet outil dans une zone mal éclairée. L'opérateur doit avoir une bonne vue d'ensemble de la zone de travail pour identifier les dangers éventuels.
- L'utilisation d'une protection auditive réduit la capacité à entendre les avertissements (cris ou alarmes). L'utilisateur doit redoubler d'attention par rapport aux événements survenant dans la zone de travail.
- Ne vous laissez pas distraire et concentrez-vous sur ce que vous faites. Pensez attentivement aux conséquences de vos actions.
- L'utilisation d'outils similaires alentour augmente le risque d'atteinte à l'audition ainsi que le risque que d'autres personnes entrent dans la zone de travail.
- Gardez un bon appui et un bon équilibre. Ne travaillez pas en extension. Ne travaillez pas en extension, vous pourriez perdre l'équilibre.
- Ayez toujours un bon équilibre sur vos pieds dans les pentes et marchez, ne courez jamais.
- Maintenez toutes les parties de votre corps éloignées des parties en mouvement. Les pales de la turbine en rotation peuvent entraîner de graves blessures.
- Ne faites jamais fonctionner l'appareil sans qu'un accessoire adapté soit en place. En cas d'utilisation en tant que souffleur, installez toujours les tubes de soufflage.
- Ne modifiez pas la machine d'aucune façon et n'utilisez pas de pièces ou accessoires non recommandés par le fabricant.

AVERTISSEMENT

Si le produit est tombé, a subi un choc important ou se met à vibrer de façon anormale, arrêtez-le immédiatement et recherchez les dommages éventuels ou identifiez la cause des vibrations. Toute pièce endommagée doit être correctement remplacée ou réparée par un service après-vente agréé.





EN
FR
DE
ES
IT
NL
PT
DA
SV
FI
NO
RU
PL
CS
HU
RO
LV
LT
ET
HR
SL
SK
BG

- Pour réduire le risque de blessures occasionnées par le contact avec les éléments en rotation, il convient de toujours arrêter le produit, de le débrancher du secteur ou d'en retirer la batterie, et de s'assurer que tous les éléments en mouvement se sont bien arrêtés :
 - avant de nettoyer ou de dégager la cause d'un blocage
 - lorsque vous laissez le produit sans surveillance
 - avant de mettre en place ou de retirer des accessoires
 - avant de travailler sur le produit, de le vérifier ou de l'entretenir
 - après avoir heurté un objet étranger afin de vérifier les dommages éventuels subis par le produit
 - si le produit se met à vibrer de façon anormale (vérifiez immédiatement)

⚠ AVERTISSEMENT

Votre souffleur est susceptible d'avoir été livré avec un harnais. Ajustez soigneusement le harnais de façon qu'il aide confortablement à supporter le poids du produit.

Repérez le mécanisme de libération rapide et entraînez-vous à sa manipulation avant de commencer à utiliser la machine. Son utilisation correcte peut empêcher de graves blessures en cas d'urgence. Ne portez jamais aucun vêtement supplémentaire par dessus le harnais qui serait susceptible de gêner le fonctionnement du mécanisme de libération rapide.

AVERTISSEMENTS DE SÉCURITÉ RELATIFS AU SOUFLAGE

- Il est recommandé de porter un masque antipoussières pour éviter toute irritation due à la poussière.
- Ne dirigez jamais le tube du souffleur en direction d'autres personnes ou d'animaux.
- N'introduisez jamais aucun objet dans les tubes du souffleur.
- N'utilisez pas la machine à proximité de fenêtres ouvertes.
- Humectez légèrement les surfaces en conditions poussiéreuses.
- Utilisez la rallonge d'embout de soufflage afin que le souffle d'air agisse près du sol.
- Ne placez pas le souffleur sur ou à proximité de débris épars. Les débris sont susceptibles d'être aspirés dans les entrées d'air ce qui risquerait d'endommager l'appareil.

INSTRUCTIONS DE SÉCURITÉ ADDITIONNELLES - BATTERIE

- Lisez, comprenez et suivez toujours les instructions de sécurité qui accompagnent votre batterie et son chargeur. Le non respect de cette consigne pourrait entraîner une décharge électrique, un incendie ou autres situations dangereuses. Gardez toutes les instructions ensemble en lieu sûr pour vous-y reporter dans le futur.
- Les outils alimentés par batterie n'ont pas à être

branchés sur le secteur; ils sont donc en permanence en état de fonctionner. Si la machine n'a pas à être utilisée dans l'immédiat, n'insérez pas la clé coupe-contact.

- Retirez le pack batterie avant toute opération de réglage, de nettoyage, ou de retrait de corps étrangers de l'appareil.
- Ne mettez pas les appareils alimentés par batterie ni leur batterie à proximité du feu ou d'une source de chaleur. Vous réduirez ainsi les risques d'explosion et de blessures.
- N'ouvrez pas et n'abîmez pas le pack batterie. Les fuites d'électrolyte sont corrosives et sont susceptibles de causer des dommages aux yeux ou à la peau. L'électrolyte peut être toxique en cas d'ingestion.
- Protégez le pack batterie de l'humidité et de l'eau. Ne rechargez pas cet appareil en milieu humide ou mouillé. Vous réduirez ainsi les risques d'incendie, de choc électrique et de blessures corporelles.
- Si la batterie est endommagée ou utilisée de façon inappropriée, des vapeurs sont susceptibles d'être émises. Aérez les lieux et contactez un médecin en cas de gêne. Les vapeurs peuvent irriter le système respiratoire.
- Ne laissez pas le pack batterie dans une voiture durant l'été.
- N'incinerez pas la batterie. Lorsque la batterie est en fin de vie opérationnelle, jetez-la de façon correcte en respectant les dispositions légales de votre région.
- Sous des conditions abusives, du liquide peut être éjecté de la batterie, évitez d'entrer en contact avec ce liquide. En cas de contact accidentel, lavez à grande eau. Si du liquide entre en contact avec les yeux, consultez immédiatement un médecin. Le liquide éjecté de la batterie peut causer des irritations ou des brûlures.

TRANSPORT ET STOCKAGE

- Arrêtez le produit, débranchez-le du secteur ou retirez-en la batterie, et laissez-le refroidir avant de le ranger ou de le transporter.
- Débarrassez l'appareil de tous les corps étrangers. Rangez la en un endroit frais, sec et correctement ventilé, hors de portée des enfants. Ne la rangez pas à proximité d'agents corrosifs tels que produits chimiques de jardinage ou sels de dégel. Ne rangez pas à l'extérieur.
- Pour le transport, attachez la machine pour l'empêcher de bouger ou de tomber, afin d'éviter toute blessure et tout dommage matériel.

ENTRETIEN

⚠ AVERTISSEMENT

N'utilisez que des pièces détachées et accessoires d'origine constructeur. Le non respect de cette précaution peut entraîner de mauvaises performances, des blessures, et annuler votre garantie.



⚠ AVERTISSEMENT

Les réparations demandent un soin et des connaissances extrêmes et ne doivent être effectuées que par un réparateur qualifié. Pour toute réparation, nous vous conseillons de retourner votre appareil à votre service après vente agréé le plus proche. N'utilisez que des pièces détachées identiques pour effectuer les réparations.

- Vous pouvez effectuer les réglages et réparations décrits dans ce manuel. Pour les autres réparations, contactez un service après-vente agréé.
- Après chaque utilisation, utilisez un chiffon propre et sec pour nettoyer le produit.
- Vérifiez régulièrement le bon serrage des écrous, vis et boulons pour que le produit soit toujours en bon état de fonctionnement. Toute pièce endommagée doit être correctement remplacée ou réparée par un service après-vente agréé.

UTILISATION PRÉVUE

Ce produit ne doit être utilisé qu'à l'extérieur.

Ce produit ne doit pas être utilisé par des enfants ou par des personnes aux capacités physiques, sensorielles ou mentales diminuées.

Ce produit est destiné au soufflage des débris légers tels que les feuilles, l'herbe et autres déchets du jardin.

RISQUES RÉSIDUELS

Même lorsque la machine est utilisée selon les prescriptions, il reste impossible d'éliminer totalement certains facteurs de risque résiduels. Les dangers suivants risquent de se présenter en cours d'utilisation et l'utilisateur doit prêter particulièrement garde à ce qui suit :

- Blessures dues aux vibrations. Utilisez toujours un outil adapté au travail à effectuer, servez-vous des poignées appropriées et limitez le temps de travail et d'exposition.
- L'exposition au bruit peut provoquer des pertes d'audition. Portez une protection auditive et limitez le temps d'exposition.
- Risque de blessures causées par la projection d'objets par le tube de soufflage ou l'échappement au cas où le sac de collecte serait manquant ou endommagé. Portez en permanence une protection oculaire adaptée.

RÉDUCTION DES RISQUES

Il a été reporté que les vibrations engendrées par les outils à main peuvent contribuer à l'apparition d'un état appelé le Syndrome de Raynaud chez certaines personnes. Les symptômes peuvent comprendre des fourmillements, un engourdissement et un blanchiment des doigts, généralement par temps froid. Des facteurs héréditaires, l'exposition au froid et à l'humidité, le régime alimentaire, le tabagisme et les habitudes de travail peuvent contribuer au développement de ces symptômes. Certaines mesures peuvent être prises par l'utilisateur pour aider à réduire les effets des vibrations:

- Gardez votre corps au chaud par temps froid. Lorsque vous utilisez l'appareil, portez des gants afin de garder vos mains et vos poignets au chaud. Le temps froid est considéré comme un facteur contribuant très largement à l'apparition du Syndrome de Raynaud.
- Après chaque session de travail, pratiquez des exercices qui favorisent la circulation sanguine.
- Faites des pauses fréquentes. Limitez la quantité d'exposition journalière.

Si vous ressentez l'un des symptômes associés à ce syndrome, arrêtez immédiatement le travail et consultez votre médecin pour lui en faire part.

⚠ AVERTISSEMENT

L'utilisation prolongée d'un outil est susceptible de provoquer ou d'aggraver des blessures. Assurez-vous de faire des pauses de façon régulière lorsque vous utilisez tout outil de façon prolongée.

APPRENEZ À CONNAÎTRE VOTRE PRODUIT

Voir page 131.

1. Poignée
2. Accroche-câble
3. Bouton poussoir marche
4. Tube de soufflage
5. Embout haute vitesse
6. Batterie
7. Chargeur de batterie
8. Câble d'alimentation

SYMBOLES APPLIQUÉS SUR LE PRODUIT



Lisez et comprenez toutes les instructions avant d'utiliser le produit, respectez tous les avertissements et toutes les instructions de sécurité.



Prenez garde à la projection d'objets au sol et dans les airs. Maintenez les visiteurs, en particulier les enfants et les animaux domestiques, à une distance d'au moins 15 m de la zone de travail.



Portez une protection auditive



Portez une protection oculaire



Ne pas exposer à la pluie ou à des conditions humides.



Arrêt : débranchez la fiche du secteur avant toute opération de nettoyage ou d'entretien



Débranchez immédiatement la fiche secteur avant l'entretien ou si le câble est endommagé ou coupé.



Cet outil est conforme à l'ensemble des normes réglementaires du pays de l'UE où il a été acheté.



Marque de qualité EurAsian



Marque de conformité ukrainienne



Outil de Classe II, isolation double



Les produits électriques hors d'usage ne doivent pas être jetés avec les ordures ménagères. Recyclez-les par l'intermédiaire des structures disponibles. Contactez les autorités locales pour vous renseigner sur les conditions de recyclage.



Le niveau de puissance sonore garanti est 94 dB.



Alimentation : Batterie (CC 18V)



Alimentation : Électrique (CA 230V)

prend garde, peut entraîner des blessures moyennes ou légères.

MISE EN GARDE

Sans symbole d'alerte de sécurité

Indique une situation pouvant entraîner des dommages matériels.

EN

FR

DE

ES

IT

NL

PT

DA

SV

FI

NO

RU

PL

CS

HU

RO

LV

LT

ET

HR

SL

SK

BG

ICÔNES DE CE MANUEL



Branchez sur le secteur



Débranchez du secteur



REMARQUE:



Avertissement!

Les symboles suivants, et les noms qui leur sont associés, permettent d'expliquer les différents niveaux de risques liés à l'utilisation de cet outil.

⚠ DANGER

Situation potentiellement dangereuse qui, si l'on n'y prend garde, peut entraîner la mort ou des blessures graves.

⚠ AVERTISSEMENT

Situation potentiellement dangereuse qui, si l'on n'y prend garde, peut entraîner la mort ou des blessures graves.

⚠ MISE EN GARDE

Situation potentiellement dangereuse qui, si l'on n'y

WARNUNG

Die Sicherheitsregeln müssen befolgt werden, wenn dieses Produkt benutzt wird. Lesen Sie für Ihre eigene Sicherheit und die von Zuschauern diese Anweisungen, bevor Sie das Produkt benutzen. Bitte bewahren Sie die Anweisungen zum späteren Nachschlagen auf.

WARNUNG

Dieses Produkt ist nicht für Kinder oder Personen mit verminderten physischen, geistigen oder sensorischen Fähigkeiten geeignet. Kinder müssen ausreichend beaufsichtigt werden, so dass gewährleistet ist, dass sie nicht mit dem Produkt spielen.

UNTERWEISUNG

- Lesen Sie die Anweisungen sorgfältig durch. Machen Sie sich mit den Bedienelementen und dem ordnungsgemäßen Gebrauch des Produktes vertraut.
- Lassen Sie niemals Kinder, Personen mit eingeschränkten körperlichen, sensorischen oder mentalen Fähigkeiten oder mangelnder Erfahrung und Wissen oder Personen, die mit diesen Anweisungen nicht vertraut sind, das Produkt benutzen. Die lokale Gesetzgebung regelt das Mindestalter des Benutzers.
- Vergessen Sie nie, dass der Benutzer verantwortlich ist für Unfälle und Gefahren, die an Eigentum Fremder oder an anderen Personen entstehen könnte.
- Halten Sie Zuschauer, Kinder und Haustiere 15 m von dem Arbeitsbereich fern. Stoppen Sie die Maschine, wenn jemand diesen Bereich betritt.

VORBEREITUNG

- In einigen Regionen können Vorschriften die Benutzung dieses Produktes auf einige Tätigkeiten beschränken. Lassen Sie sich von Ihrer örtlichen Behörde beraten.
- Tragen Sie beim Betrieb des Produktes immer festes Schuhwerk und lange Hosen. Arbeiten Sie mit der Maschine niemals Barfuß oder mit offenen Sandalen. Vermeiden Sie weite Kleidung, oder Kleidung mit Schnüren oder Bändern zu tragen, sie können sich in beweglichen Teilen verfangen.
- Tragen Sie keine lose Kleidung oder Schmuck, die in den Lufteinlass gesaugt werden könnten.
- Binden Sie lange Haare zurück, so dass diese sich über Schulterhöhe befinden um zu verhindern, dass sie sich in beweglichen Teilen verfangen.
- Tragen Sie immer vollen Gehörschutz, wenn Sie das Produkt benutzen. Diese Maschine ist extrem laut und dauerhafter Hörschaden kann entstehen, wenn die Vorsichtsmaßnahmen zu Exposition, Lärmreduzierung und Gehörschutz nicht streng befolgt werden.
- Tragen Sie immer vollen Augenschutz, wenn Sie das Produkt benutzen. Der Hersteller empfiehlt dringend eine volle Gesichtsmaske oder voll geschlossene Schutzbrille zu tragen. Normale Brillen oder Sonnenbrillen sind kein ausreichender Schutz. Gegenstände können von dem kräftigen Luftstrom jederzeit mit großer Geschwindigkeit geschleudert

werden, und von harten Gegenständen in Richtung Benutzer gelenkt werden.

- Stellen Sie vor jeder Inbetriebnahme sicher, dass alle Bedienelemente und Sicherheitsvorrichtung ordnungsgemäß funktionieren. Benutzen Sie das Werkzeug nicht, wenn der „Aus“ Schalter das Produkt nicht stoppt.
- Inspizieren Sie das Produkt vor jeder Benutzung, ob das Gehäuse unbeschädigt ist und alle Schutzabdeckungen und Griffe montiert und gesichert sind.
- Bringen Sie das Werkzeug zu einem autorisierten Kundendienst zurück, um beschädigte oder unleserliche Aufkleber zu ersetzen.
- Betreiben Sie das Produkt niemals mit defekten Schutzvorrichtungen, Abdeckungen oder ohne Sicherheitseinrichtungen, z. B. Auffang sack.
- Halten Sie sämtliche Kühlluftöffnungen frei von Schmutz.
- Verwenden Sie Besen und Rechen, um Kehrgut vor dem Blasen/Saugen zu lockern.
- Inspizieren Sie vor jeder Benutzung den Arbeitsbereich. Entfernen Sie alle Objekte wie z.B. Steine, zerbrochenes Glas, Nägel, Draht oder Fäden, die von dem Luftstrom eine beträchtliche Distanz geblasen werden können.

ALLGEMEINE SICHERHEITSWARNUNGEN

WARNUNG

Lesen Sie alle Warnungen und Anweisungen! Die Nichtbeachtung der Warnungen und Anweisungen kann zu Stromschlag, Feuer und/oder schweren Verletzungen führen.

Bewahren Sie diese Warnhinweise und Anweisungen für einen späteren Gebrauch gut auf.

Die Bezeichnung „Elektrowerkzeug“ in den Warnhinweisen bezieht sich auf Ihr Elektrowerkzeug, das an das Stromnetz angeschlossen wird oder das akkubetriebene (kabellose) Elektrowerkzeug.

ARBEITSUMGEBUNG

- **Der Arbeitsbereich muss sauber und gut ausgeleuchtet sein.** Unordentliche oder dunkle Bereiche fordern Unfälle heraus.
- **Setzen Sie Elektrowerkzeuge nicht in explosiver Umgebung ein, wie z.B. bei Vorhandensein entzündlicher Flüssigkeiten, von Gasen oder Staub.** Elektrowerkzeuge erzeugen Funken, die Staub oder Dämpfe entzünden können.
- **Halten Sie Kinder und Außenstehende bei der Arbeit mit dem Werkzeug fern.** Jede Ablenkung kann dazu führen, dass Sie die Kontrolle verlieren.

ELEKTRISCHE SICHERHEIT

- **Der Stecker des Elektrowerkzeugs muss in die Steckdose passen. Den Stecker niemals auf irgendeine Weise modifizieren. Verwenden Sie mit geerdeten Elektrowerkzeugen niemals Übergangsstecker.** Nicht-modifizierte Stecker und



passende Steckdosen reduzieren das Risiko von Stromschlägen.

- **Vermeiden Sie Körperkontakt mit geerdeten Oberflächen, wie Rohren, Heizkörpern, Küchenherden und Kühlschränken.** Es besteht ein erhöhtes Stromschlagrisiko, wenn Ihr Körper geerdet ist.
- **Setzen Sie dieses Produkt nicht Regen oder feuchten Bedingungen aus.** Ein Eindringen von Wasser in ein Elektrowerkzeug erhöht die Gefahr eines Stromschlags.
- **Zweckentfremden Sie das Kabel nicht, um das Elektrowerkzeug zu tragen, aufzuhängen oder um den Stecker aus der Steckdose zu ziehen. Halten Sie das Kabel von Hitze, Öl, scharfen Kanten oder sich bewegende Teilen fern.** Beschädigte oder verwickelte Kabel erhöhen die Stromschlaggefahr.
- **Verwenden Sie bei der Arbeit mit Elektrowerkzeugen im Freien nur Verlängerungskabel, die auch zum Gebrauch im Freien geeignet sind.** Die Verwendung eines Kabels, das zum Gebrauch im Freien geeignet ist, verringert die Stromschlaggefahr.
- **Falls der Einsatz eines Elektrowerkzeugs an einem feuchten Ort unvermeidbar sein sollte, verwenden Sie ein durch eine Fehlerstromschutzschaltung geschütztes Stromnetz.** Der Einsatz einer Fehlerstromschutzschaltung verringert die Stromschlaggefahr.

PERSÖNLICHE SICHERHEIT

- **Bleiben Sie wachsam, achten Sie auf das was Sie tun und benutzen Sie bei der Arbeit mit Werkzeugen Ihren gesunden Menschenverstand. Verwenden Sie das Werkzeug nicht bei Müdigkeit oder unter dem Einfluss von Drogen, Alkohol oder Medikamenten.** Ein kurzer Moment der Unachtsamkeit bei der Arbeit mit einem Werkzeug kann zu schweren Verletzungen führen.
- **Verwenden Sie Schutzausrüstung. Tragen Sie immer einen Augenschutz.** Schutzausrüstung wie Staubmasken, rutschfeste Schuhe, Schutzhelm oder Gehörschutz, die unter entsprechenden Bedingungen verwendet werden, reduzieren die Verletzungsgefahr.
- **Vermeiden Sie ein unbeabsichtigtes Einschalten. Vergewissern Sie sich, dass der Schalter des Werkzeugs sich vor dem Anschluss an das Stromnetz und/oder dem Akku, beim Aufheben oder Tragen, in der OFF (AUS) Position befindet.** Wenn Sie beim Tragen des Elektrowerkzeuges den Finger am Schalter haben oder das Gerät eingeschaltet an die Stromversorgung anschließen, kann dies zu Unfällen führen.
- **Entfernen Sie Einstellschlüssel bevor Sie das Werkzeug einschalten.** Ein auf einem sich drehenden Teil des Werkzeugs verbleibender Schlüssel kann zu Verletzungen führen.
- **Vermeiden Sie eine abnormale Körperhaltung. Sorgen Sie jederzeit für einen festen Stand und ein gutes Gleichgewicht.** Dies sorgt für eine bessere Kontrolle über das Werkzeug in unerwarteten Situationen.

- **Kleiden Sie sich den Umständen entsprechend! Tragen Sie keine weite Kleidung oder Schmuck. Halten Sie Haare, Kleidung und Handschuhe von sich bewegenden Teilen fern.** Locker sitzende Kleidung, Schmuck oder lange Haare können von sich bewegenden Teilen erfasst werden.
- **Falls Zubehörteile zum Absaugen von Staub oder als Sammelvorrichtungen geliefert werden, vergewissern Sie sich, dass diese angeschlossen sind und ordnungsgemäß funktionieren.** Der Einsatz von Staubsammelvorrichtungen kann staubbedingte Gefahren reduzieren.

BENUTZUNG UND PFLEGE DES ELEKTROWERKZEUGS

- **Überlasten Sie das Gerät nicht. Verwenden Sie das geeignete Werkzeug für Ihre Arbeit.** Das geeignete Werkzeug erledigt die Arbeit besser und sicherer mit der Geschwindigkeit für die es ausgelegt wurde.
- **Verwenden Sie das Elektrowerkzeug nicht, falls es sich durch den Schalter nicht ein- und ausschalten lässt.** Ein Elektrowerkzeug, das sich durch den Schalter nicht steuern lässt, ist gefährlich und muss repariert werden.
- **Ziehen Sie den Netzstecker aus der Steckdose und/oder nehmen den Akku aus dem Elektrowerkzeug, bevor Sie irgendwelchen Einstellungen vornehmen, Zubehör wechseln oder Elektrowerkzeuge lagern.** Diese vorbeugenden Maßnahmen reduzieren das Risiko eines unbeabsichtigten Startens des Elektrowerkzeugs.
- **Bewahren Sie Werkzeuge, die nicht benutzt werden, außer Reichweite von Kindern auf und erlauben Sie Personen, die mit dem Werkzeug oder dieser Anleitung nicht vertraut sind, nicht den Umgang mit dem Werkzeug.** Werkzeuge in den Händen unbedarfter Anwender sind ein Gefahr!
- **Pflegen Sie Elektrowerkzeuge mit Sorgfalt. Kontrollieren Sie, ob bewegliche Teile einwandfrei funktionieren und nicht klemmen, ob Teile gebrochen oder so beschädigt sind, dass die Funktion des Elektrowerkzeuges beeinträchtigt ist. Lassen Sie das Werkzeug bei Beschädigung vor dem Gebrauch reparieren.** Viele Unfälle werden durch schlecht gepflegte Werkzeuge verursacht.
- **Halten Sie Schneidwerkzeuge scharf und sauber.** Ordnungsgemäß gepflegte Schneidwerkzeuge mit scharfen Schnittklingen blockieren nicht so leicht und lassen sich einfacher unter Kontrolle halten.
- **Benutzen Sie das Elektrowerkzeug, Zubehör und Werkzeugeinsätze usw. gemäß diesen Anweisungen und Sie ziehen die Arbeitsbedingungen und die zu leistende Arbeit in Betracht.** Der Einsatz des Elektrowerkzeugs für Arbeiten, für die es nicht vorgesehen ist, kann zu gefährlichen Situationen führen.

BENUTZUNG UND WARTUNG VON AKKUGERÄTEN

- **Laden Sie den Akku nur mit dem durch den Hersteller vorgesehenen Ladegerät auf.** Ein Ladegerät, das für eine Art von Akkus geeignet ist,





kann eine Feuergefahr darstellen, wenn es für eine andere Akkuart verwendet wird.

- **Verwenden Sie Elektrowerkzeuge nur mit den dafür vorgesehenen Akkus.** Die Verwendung anderer Batterien oder Akkus kann zu Verletzungen und Feuer führen.
- **Halten Sie Akkus, die nicht benutzt werden, von anderen Metallobjekten wie Büroklammern, Münzen, Schlüsseln, Nägeln, Schrauben oder anderen kleinen Metallobjekten, die eine Verbindung zwischen den Polen herstellen könnten, fern.** Ein Kurzschließen der Akkupole kann Verbrennungen oder ein Feuer verursachen.
- **Unter falscher Anwendung kann Flüssigkeit aus dem Akku spritzen - vermeiden Sie den Kontakt mit dieser Flüssigkeit! Falls es versehentlich zu einem Kontakt kommen sollte, spülen Sie die Flüssigkeit mit Wasser ab. Suchen Sie außerdem medizinische Hilfe auf, falls die Flüssigkeit in die Augen gerät.** Aus dem Akku ausgetretene Flüssigkeit kann zu Irritationen oder Verätzungen führen.

SERVICE – REPARATUR

- **Lassen Sie Ihr Werkzeug durch qualifizierte Fachleute unter ausschließlicher Verwendung von identischen Ersatzteilen warten.** Dadurch wird sichergestellt, dass das Werkzeug in einem sicheren Betriebszustand gehalten wird.

ZUSÄTZLICHE SICHERHEITSWARNUNGEN

- Vermeiden Sie ein unbeabsichtigtes Einschalten. Vergewissern Sie sich, dass der Schalter des Werkzeugs sich vor dem Anschluss an das Stromnetz und/oder dem Akku, beim Aufheben oder Tragen, in der OFF (AUS) Position befindet. Wenn Sie beim Tragen des Elektrowerkzeuges den Finger am Schalter haben oder das Gerät eingeschaltet an die Stromversorgung anschließen, kann dies zu Unfällen führen.
- Setzen Sie dieses Produkt nicht Regen oder feuchten Bedingungen aus. Ein Eindringen von Wasser in ein Gerät erhöht die Gefahr eines Stromschlags.
- Die Stromversorgung sollte über eine Fehlerstromschutzeinrichtung mit einem Auslösestrom von nicht mehr als 30 mA angeschlossen werden.
- Überprüfen Sie das Netzkabel vor jeder Benutzung auf Schäden. Es muss von einem autorisierten Kundendienst ausgetauscht werden, wenn Beschädigungen sichtbar sind. Wickeln Sie das Netzkabel immer ab, weil aufgewickelte Kabel überhitzen können.
- Wenn Sie ein Verlängerungskabel benutzen müssen, stellen Sie sicher, dass es für den Einsatz im Freien geeignet ist und ausreichend für die Strombelastung Ihres Werkzeugs ist. Das Verlängerungskabel sollte entweder mit "H05 RN-F" oder "H05 VV-F" gekennzeichnet sein. Überprüfen Sie das Verlängerungskabel vor jeder Benutzung auf Beschädigung. Wickeln Sie das Kabel immer ab, weil aufgewickelte Kabel überhitzen können. Beschädigte Verlängerungskabel sollten nicht repariert werden, sie sollten durch einen gleichwertigen Typ ersetzt werden.

- Stellen Sie sicher, dass das Stromkabel so liegt, dass man nicht darauf tritt, darüber stolpert, oder es auf andere Weise Beschädigungen und Belastungen ausgesetzt wird.
- Heben oder tragen Sie das Produkt niemals am Netzkabel.
- Ziehen Sie niemals das Netzkabel, um die Stromversorgung zu trennen.
- Halten Sie das Netzkabel fern von Hitze, Öl, und scharfen Kanten.
- Führen Sie das Kabel immer nach hinten vom Produkt weg.
- Stellen Sie sicher, dass die Spannung für Ihr Produkt richtig ist. Ein Typenschild auf dem Produkt zeigt die Spannung des Gerätes an. Schließen Sie das Produkt niemals an eine andere als diese Gleichstromspannung an.
- Stellen Sie sicher, dass sich der Schalter auf der AUS Position befindet, bevor Sie die Stromversorgung trennen oder den Akkupack entfernen.

VERWENDUNG

- Trennen Sie das Kabel unverzüglich von der Stromversorgung, falls es während des Gebrauchs beschädigt werden sollte. **Berühren Sie nicht das Netzkabel, bevor Sie die Stromzufuhr getrennt haben.** Verwenden Sie die Maschine nicht, falls das Kabel beschädigt oder abgenutzt ist.
- Betreiben Sie die Maschine nur zu angemessenen Zeiten – nicht früh am Morgen oder spät am Abend, wenn es andere Personen stören könnte.
- **Setzen Sie die Maschine nicht in explosiver Umgebung ein, wie z.B. bei Vorhandensein entzündlicher Flüssigkeiten, von Gasen oder Staub.**
- Bei schlechten Wetterbedingungen insbesondere bei einem aufziehendem Gewitter nicht mit dem der Maschine arbeiten.
- Nicht bei schlechter Lichtbedingungen verwenden. Der Benutzer braucht einen unbehinderten Blick auf den Arbeitsbereich, um mögliche Gefahren zu erkennen.
- Das Tragen von Gehörschutz verringert Ihre Fähigkeit Warnungen zu hören (Warnungen oder Zurufe). Der Benutzer muss dem, was im Arbeitsbereich vor sich geht, ganz besondere Beachtung schenken.
- Lassen Sie sich nicht ablenken und konzentrieren Sie sich ständig auf das, was sie tun. Bedenken Sie die Auswirkungen Ihrer Handlungen sorgfältig.
- Der Betrieb ähnlicher Werkzeuge in der Umgebung erhöht das Risiko von Gehörschäden und die Wahrscheinlichkeit, dass andere Personen Ihren Arbeitsbereich betreten.
- Halten Sie immer das Gleichgewicht. Überarbeiten Sie sich nicht. Das könnte zu Gleichgewichtsverlust führen. Vermeiden Sie eine abnormale Körperhaltung und halten Sie stets das Gleichgewicht.
- Achten Sie auf schrägen Flächen stets auf sicheren Tritt. Stets ruhig gehen, niemals schnell laufen.
- Halten Sie alle Körperteile von den sich bewegenden Teilen fern. Rotierende Flügelräder können schwerste





Verletzungen verursachen.

- Versuchen Sie niemals, eine unvollständig montierte Maschine in Betrieb zu nehmen. Montieren Sie beim Gebläsebetrieb immer zuerst die Gebläserohre.
- Verändern Sie die Maschine nicht auf irgendeine Weise oder verwenden Teile oder Zubehör, die nicht vom Hersteller empfohlen sind.

⚠ WARNUNG

Wenn das Produkt fallen gelassen wurde oder einen schweren Schlag erhielt oder ungewöhnlich vibriert, stoppen Sie das Produkt sofort und überprüfen es auf Schäden oder identifizieren Sie die Ursache der Vibration. Jeder Schaden sollte durch den autorisierten Kundendienst ordnungsgemäß repariert oder ausgetauscht werden.

- Damit die Gefahr durch drehende Teile verringert wird, stoppen Sie immer das Produkt, ziehen den Netzstecker oder entfernen Sie den Akku und stellen sicher, dass alle sich drehenden Teile gestoppt sind:
 - vor dem Reinigen oder Entfernen einer Blockierung
 - wenn Sie das Produkt unbeaufsichtigt lassen
 - vor dem Montieren oder Entfernen von Anbauteilen.
 - Bevor Sie das Produkt prüfen, reinigen oder daran arbeiten,
 - bevor Sie das Gerät auf Schäden überprüfen, nachdem ein Fremdkörper getroffen wurde
 - Wenn die Maschine anfängt, ungewöhnlich zu vibrieren (sofort überprüfen).

⚠ WARNUNG

Ihr Laubbläser wird vielleicht mit einem Schultergurt geliefert. Stellen Sie das Tragegeschirr sorgfältig ein, damit es bequem sitzt und das Gewicht des Produktes stützt.

Ermitteln Sie, wie der Schnellverschluss funktioniert und üben Sie die Benutzung, bevor Sie die Maschine einsetzen. Die richtige Benutzung kann im Notfall schwere Verletzungen verhindern. Tragen Sie niemals zusätzliche Kleidung über dem Schultergurt oder behindern Sie den Zugriff zu dem Schnellverschluss anderweitig.

BLÄSER SICHERHEITSWARNUNGEN

- Tragen Sie bei staubigen Bedingungen einen Atemschutz, um das Verletzungsrisiko durch das Einatmen von Staub zu verringern.
- Richten Sie die Gebläsedüse niemals auf Personen oder Tiere.
- Stecken Sie niemals Gegenstände in die Gebläserohre.
- Betreiben Sie die Maschine nicht in der Nähe eines geöffneten Fensters.
- Befeuhten Sie bei staubigen Bedingungen die Oberflächen leicht.
- Verwenden Sie die Verlängerung der Düse, so dass der Luftstrom nah am Boden arbeiten kann.

- Zielen Sie mit dem Gebläse nicht direkt auf oder in die Nähe von losen Kehrgut. Das Kehrgut könnte in den Lufteinlass gesaugt werden und möglicherweise das Gerät beschädigen.

ZUSÄTZLICHE SICHERHEITSWARNUNGEN - AKKU

- Lesen, verstehen und befolgen Sie immer die mit Ihrem Akku und Ladegerät gelieferten Sicherheitsanweisungen. Nichtbefolgung kann zu Stromschlag, Feuer oder anderen gefährlichen Situationen führen. Halten Sie alle Anweisungen zum späteren Nachlesen an einem sicheren Ort beisammen.
- Akkubetriebene Werkzeuge müssen nicht an eine Stromsteckdose angeschlossen werden; sie sind daher jederzeit betriebsbereit. Entfernen Sie den Sicherheitsschlüssel immer wenn Sie die Maschine nicht benutzen.
- Entfernen Sie den Akku, bevor Sie Einstellungen vornehmen, reinigen oder Material vom Gerät entfernen.
- Halten Sie batteriebetriebene Produkte bzw. deren Akkus von Feuer und Hitze fern. Dies verringert das Explosions- und Verletzungsrisiko.
- Öffnen oder beschädigen Sie den Akku nicht. Freigesetztes Elektrolyt ist gewebezestörend und kann zu einer Schädigung von Augen oder Haut führen. Es kann bei Verschlucken toxisch wirken.
- Schützen Sie den Akku vor Feuchtigkeit und Wasser. Den Akku nicht in feuchter oder nasser Umgebung laden. Durch Befolgung dieser Anweisung wird das Risiko von Bränden, elektrischen Schlägen und Körperverletzungen verringert.
- Im Fall einer Beschädigung oder nicht ordnungsgemäßen Verwendung des Akkus, können Dämpfe austreten. Sorgen Sie für frische Luft und suchen Sie bei Beschwerden einen Arzt auf. Die Dämpfe können zu einer Reizung des Atemsystems führen.
- Lassen Sie den Akku nicht im Auto oder in einem geschlossenen Lagerraum, wenn es heiß oder kalt ist.
- Verbrennen Sie den Akku nicht. Wenn der Akku das Ende der Nutzungsdauer erreicht hat, entsorgen Sie ihn gemäß den örtliche Bestimmungen.
- Unter missbräuchlichen Bedingungen kann Flüssigkeit aus dem Akku spritzen - vermeiden Sie den Kontakt mit dieser Flüssigkeit! Falls es versehentlich zu einem Kontakt kommen sollte, spülen Sie die Flüssigkeit mit Wasser ab. Suchen Sie außerdem medizinische Hilfe auf, falls die Flüssigkeit in die Augen gerät. Aus dem Akku ausgetretene Flüssigkeit kann zu Irritationen oder Verätzungen führen.

TRANSPORT UND LAGERUNG

- Stoppen Sie das Produkt, trennen es von dem Stromnetz oder entfernen Sie den Akku und lassen es abkühlen, bevor Sie es lagern oder transportieren.
- Entfernen Sie alle Fremdkörper vom Produkt. Lagern Sie das Gerät an einem trockenen und gut belüfteten Ort, der Kindern keinen Zugang bietet. Halten Sie die Maschine von korrodierend wirkenden Stoffen, wie

EN
FR
DE
ES
IT
NL
PT
DA
SV
FI
NO
RU
PL
CS
HU
RO
LV
LT
HR
SL
SK
BG



Gartenchemikalien und Enteisungssalzen, fern. Nicht im Freien lagern.

- Sichern Sie die Maschine beim Transport gegen Bewegung oder Herabfallen, um Verletzungen und Beschädigung der Maschine zu verhindern.

WARTUNG UND PFLEGE

⚠️ WARNUNG

Verwenden Sie ausschließlich original Ersatzteile, Zubehör und Aufsätze des Herstellers. Nichtbefolgung kann mögliche Verletzungen oder schlechte Leistung verursachen und Ihre Garantie ungültig machen.

⚠️ WARNUNG

Service und Wartung des Gerätes erfordert besonderen Schutz und Kenntnisstand und sollte nur durch qualifiziertes Personal durchgeführt werden. Wir empfehlen zu diesem Zweck das Produkt umgehend an ein Autorisiertes Service Center zur Reparatur zu senden. Beim Service sollten Sie nur originale Ersatzteile benutzen.

- Sie dürfen die in dieser Bedienungsanleitung beschriebenen Einstellungen und Reparaturen durchführen. Kontaktieren Sie Ihren autorisierten Kundendienst für andere Reparaturen.
- Reinigen Sie das Produkt nach jeder Benutzung mit einem weichen, trockenen Lappen.
- Überprüfen Sie Bolzen, Muttern und Schrauben immer wieder, ob alles fest angezogen wird, so dass das Produkt in einem sicheren Zustand ist. Jedes beschädigte Teil sollte durch den autorisierten Kundendienst ordnungsgemäß repariert oder ausgetauscht werden.

VORGESEHENE VERWENDUNG

Dieses Produkt ist nur zum Einsatz im Freien vorgesehen.

Dieses Produkt ist nicht für Kinder oder Personen mit verminderten physischen, geistigen oder sensorischen Fähigkeiten geeignet.

Das Produkt ist zum Wegblasen von leichtem Kehrgut, wie Laub, Gras und anderen Gartenabfällen vorgesehen.

RESTRISIKEN:

Sogar wenn die Maschine wie vorgeschrieben benutzt wird, ist es unmöglich ein gewisses Restrisiko vollständig zu beseitigen. Die folgenden Gefahren können bei der Benutzung entstehen, und der Benutzer sollte besonders auf folgende Punkte achten:

- Durch Vibrationen verursachte Verletzungen. Benutzen Sie immer das richtige Werkzeug für die Aufgabe, benutzen Sie die vorgesehenen Griffe und schränken die Arbeitszeit und Exposition ein.
- Lärm kann zu Gehörschäden führen. Tragen Sie einen Augenschutz und schränken Sie die Belastung ein.
- Verletzung durch fliegende Gegenstände im Luftstrom

des Gebläserohrs oder der Abluft, wenn der Beutel nicht montiert oder beschädigt ist. Tragen Sie immer angemessenen Augenschutz.

RISIKOVERRINGERUNG

Vibrationen von in der Hand gehaltenen Werkzeugen können bei einigen Personen zu einem Zustand, der Raynaud-Syndrom genannt wird, führen. Symptome sind u.a. Kribbeln, Taubheitsgefühl und episodische Weißfärbung der Finger und treten normalerweise bei Kälte auf. Man geht davon aus, dass ererbte Faktoren, Kälte und Feuchtigkeit, Essgewohnheiten, Rauchen und Arbeitsweise zur Entwicklung dieser Symptome beitragen. Der Anwender kann Maßnahmen ergreifen, um die Auswirkungen der Vibrationen möglicherweise zu verringern:

- Halten Sie den Körper bei Kälte warm. Tragen Sie beim Betrieb des Geräts Handschuhe, um Hände und Handgelenke warm zu halten. Berichten zu Folge ist kaltes Wetter ein wesentlicher Faktor, der zum Raynaud Syndrom beiträgt.
- Betätigen Sie sich nach jedem Einsatz körperlich, um den Blutkreislauf zu steigern.
- Machen Sie regelmäßige Pausen. Beschränken Sie die Beanspruchung pro Tag.

Sollten bei Ihnen Symptome dieses Zustands auftreten, stellen Sie unverzüglich den Betrieb ein und suchen Sie in Hinblick auf die Symptome einen Arzt auf.

⚠️ WARNUNG

Verletzungen können durch lange Benutzung eines Werkzeugs entstehen oder verschlimmert werden. Machen Sie regelmäßig Pause, wenn Sie ein Werkzeug für lange Zeit benutzen.

MACHEN SIE SICH MIT IHREM PRODUKT VERTRAUT

Siehe Seite 131.

1. Griff
2. Kabelhalter
3. Ein-/Ausschalter
4. Gebläserohr
5. Hochgeschwindigkeitsdüse
6. Akku
7. Akkuladegerät
8. Stromkabel

SYMBOLS AUF DEM PRODUKT



Lesen und verstehen Sie alle Anweisungen, bevor Sie das Produkt benutzen, befolgen Sie alle Warnungen und Sicherheitsanweisungen.



Achten Sie auf geschleuderte oder fliegende Objekte. Alle Umstehende müssen einen Abstand von mindestens 15 m einhalten.



Tragen Sie einen Gehörschutz



Tragen Sie einen Augenschutz



Nicht Regen oder feuchten Bedingungen aussetzen.



Ausschalten: ziehen Sie den Netzstecker, bevor Sie reinigen oder Wartungsarbeiten durchführen.

Trennen Sie vor Wartungsarbeiten den Stecker sofort vom Stromnetz, oder falls das Kabel beschädigt oder geschnitten ist.

Dieses Gerät entspricht allen gesetzlichen Normen des Landes der europäischen Union, in dem es gekauft wurde.



EurAsian Konformitätszeichen.



Ukrainisches Prüfzeichen



Klasse II Werkzeug, doppelte Isolation

Elektrische Geräte sollten nicht mit dem übrigen Müll entsorgt werden. Bitte entsorgen Sie diese an den entsprechenden Entsorgungsstellen. Wenden Sie sich an die örtliche Behörde oder Ihren Händler, um Auskunft über die Entsorgung zu erhalten.



Der garantierte Schalleistungspegel beträgt 94 dB.



Stromversorgung : Akku (DC 18V)



Stromversorgung : Netzbetrieb (AC 230V)

SYMBOL IN DIESER BEDIENUNGSANLEITUNG



Anschließen an das Stromnetz



Trennen vom Stromnetz



HINWEIS:



Warnung!

Mit den folgenden Symbolen wird die Bedeutung der verschiedenen Risikostufen, die mit dem Produkt einhergehen, dargestellt.

⚠️ GEFAHR

Weist auf eine unmittelbare gefährliche Situation hin, die bei Missachtung zu Tod oder ernsthafter Verletzung führen kann.

⚠️ WARNUNG

!Weist auf eine mögliche gefährliche Situation hin, die bei Missachtung zu Tod oder ernsthafter Verletzung führen kann.

⚠️ VORSICHT

!Weist auf eine mögliche gefährliche Situation hin, die bei Missachtung zu einer leichten oder mittleren Verletzung führen kann.

VORSICHT

Ohne Sicherheitswarnsymbol

Bezeichnet eine Situation die zu Sachbeschädigungen führen kann.

⚠ ADVERTENCIA

Al utilizar el producto, deben seguirse las normas de seguridad. Por su propia seguridad y la de los transeúntes, debe leer y comprender todas estas instrucciones antes de empezar a utilizar el aparato. Guarde las instrucciones para usarlas en el futuro.

⚠ ADVERTENCIA

Este producto no debe ser utilizado por niños o personas con discapacidad física, mental o sensorial. Los niños deben estar adecuadamente supervisados para asegurarse de que no juegan con el producto.

APRENDIZAJE

- Lea las instrucciones cuidadosamente. Familiarícese con los controles y el uso adecuado del producto.
- Nunca deje que utilicen este aparato niños, personas con capacidad física, sensorial o mental reducida, personas sin experiencia ni conocimientos ni personas que no estén familiarizadas con estas instrucciones. Las regulaciones locales pueden restringir la edad del operario.
- Tenga presente que el operario o usuario es responsable de los accidentes o riesgos que le puedan ocurrir a otras personas o a su propiedad.
- Mantenga a los transeúntes, a los niños y a los animales a 15 m de distancia de la zona de operación. Detenga la máquina si alguien entra en el área.

PREPARACIÓN

- Algunas regiones tienen normativas que restringen el uso del producto para algunas operaciones. Consulte con su autoridad local para obtener información.
- Mientras esté manipulando el producto, use siempre calzado sólido y pantalones largos. No utilice la máquina si está descalzo o lleva sandalias. Evite llevar ropa suelta, con cordones o corbata, ya que podría engancharse en las partes móviles.
- No lleve ropa suelta ni abalorios que pueda absorber la entrada de aire.
- Recoja el cabello largo para que quede por encima del nivel de los hombros y evitar así que se enmarañe en cualquier pieza móvil.
- Lleve puesta una protección para los oídos en todo momento mientras maneja el aparato. Esta máquina es muy ruidosa y puede provocar daños permanentes a la audición puede resultar si no se respetan estrictamente las precauciones necesarias para limitar la exposición y reducir el ruido usando protección auditiva.
- Lleve puesta una protección total para los ojos en todo momento mientras maneja este aparato. El fabricante recomienda encarecidamente el uso de una máscara completa o de unas gafas protectoras totalmente cerradas. Las gafas normales o de sol no son una protección adecuada. En cualquier momento, los objetos pueden salir despedidos a gran velocidad debido al potente chorro de aire y pueden rebotar en superficies duras hacia el operador.

- Antes de cada uso, asegúrese de que todos los controles y dispositivos de seguridad funcionan correctamente. No utilice la herramienta si el interruptor “off” no para el aparato.
- Antes de cada uso, observe siempre la carcasa para verificar que no está dañada y que las protecciones y mangos están en su sitio y correctamente sujetos.
- Lleve el aparato a un centro de asistencia autorizado para sustituir las etiquetas dañadas o ilegibles.
- No haga funcionar el producto con cubiertas o protecciones defectuosas, o sin dispositivos de seguridad, por ejemplo, sin el colector de desechos en su lugar.
- Mantenga todos los orificios de refrigeración libres de cualquier residuo.
- Use rastrillos y escobas para soltar los escombros antes de soplar/aspirar.
- Limpie el área de trabajo antes de cada uso. Retire todos los objetos como piedras, cristales rotos, clavos, alambre o cuerda que puedan volar a una distancia considerable a alta velocidad.

ALERTA DE SEGURIDAD GENERAL

⚠ ADVERTENCIA

Lea todas las advertencias de peligro e instrucciones. El incumplimiento de las advertencias e instrucciones puede provocar descargas eléctricas, incendios y/o lesiones graves.

Save all warnings and instructions for future reference.

El término “herramienta eléctrica” que aparece en las advertencias se refiere a su herramienta eléctrica (con cable) o con batería (sin cables).

ZONA DE TRABAJO

- **Mantenga el área de trabajo limpia y bien iluminada.** Las zonas oscuras o poco despejadas pueden provocar accidentes.
- **No utilice herramientas eléctricas en entornos inflamables, como puede ser en presencia de líquidos inflamables, gases o polvo.** Las herramientas eléctricas crean chispas que pueden inflamar el polvo o el humo.
- **Mantenga a los niños y personas ajenas alejadas de la zona en la que está utilizando la herramienta eléctrica.** Las distracciones pueden hacer que pierda el control de la herramienta.

SEGURIDAD ELÉCTRICA

- **Las conexiones de la herramienta eléctrica deben corresponder a los de la toma de corriente. No modifique el enchufe de ninguna manera. No utilice ningún adaptador con herramientas eléctricas conectadas a tierra.** Utilizar enchufes sin modificar y tomas correspondientes reducirán el riesgo de descargas eléctricas.
- **Evite el contacto corporal con superficies conectadas a tierra, como tuberías, radiadores,**



estufas y refrigeradores. Existe un mayor riesgo de descargas eléctricas si su cuerpo está conectado a tierra.

- **No exponga este producto a la lluvia o humedad.** Si entra agua en una herramienta eléctrica podría aumentar el riesgo de descargas eléctricas.
- **Utilice correctamente el cable. No utilice el cable para llevar, tirar o desconectar el cable de la herramienta.** Mantenga el cable lejos del calor, aceite, bordes afilados o partes móviles. Los cables dañados o enredados aumentan el riesgo de descargas eléctricas.
- **A la hora de utilizar herramientas eléctricas al aire libre, utilice un alargador adecuado para uso en exteriores.** El uso de un cable adecuado para uso en exteriores reduce el riesgo de descargas eléctricas.
- **Si es inevitable utilizar una herramienta eléctrica en un lugar húmedo, utilice un dispositivo de corriente residual (RCD) como protección.** El uso de un RCD reduce el riesgo de descargas eléctricas.

SEGURIDAD PERSONAL

- **Manténgase alerta y atento a lo que está haciendo y utilice el sentido común al utilizar una herramienta eléctrica.** No utilice una herramienta eléctrica cuando esté cansado o bajo la influencia de drogas, alcohol o medicamentos. En un momento de descuido, mientras utiliza herramientas eléctricas podrían ocurrir lesiones personales graves.
- **Utilice un equipo de protección personal. Utilice siempre dispositivos de protección ocular.** El equipo de protección como las máscaras de polvo, calzado antideslizante de seguridad, cascos rígidos o unas condiciones adecuadas reducirán los daños corporales.
- **Evite la puesta en marcha accidental de la herramienta. Asegúrese de que el interruptor está en posición OFF antes de conectar la herramienta a una toma de corriente y/o batería, y levantar o transportar la herramienta.** El transporte de herramientas con el dedo sobre el interruptor o la conexión de herramientas eléctricas con el interruptor en ON puede causar accidentes.
- **Extraiga cualquier llave de ajuste antes de encender la herramienta eléctrica.** Una llave que se encuentra conectada a una pieza de rotación puede resultar en lesiones personales.
- **No se extienda demasiado. Afírmese bien en sus piernas y no extienda demasiado el brazo.** Esto permite un mejor control de la herramienta eléctrica en situaciones inesperadas.
- **Lleve ropa adecuada. No use ropa holgada o joyas. Mantenga su cabello, ropa y guantes lejos de las piezas móviles.** La ropa suelta, joyas o el cabello largo pueden quedar atrapados en las piezas móviles.
- **Si existen dispositivos para la conexión de accesorios de recogida y extracción de polvo, asegúrese de que están conectados y que se utilizan adecuadamente.** El uso de accesorios de recogida de polvo puede reducir riesgos relacionados con el polvo.

USO Y CUIDADO DE LA HERRAMIENTA ELÉCTRICA

- **No fuerce el producto. Utilice la herramienta correcta para su aplicación.** La herramienta correcta hará un trabajo más seguro y mejor para el que ha sido diseñada.
- **No utilice la herramienta eléctrica si el interruptor de encendido no responde.** Cualquier herramienta que no puede ser controlada con el interruptor de encendido es peligrosa y debe ser reparada.
- **Desconecte el enchufe de la fuente de alimentación y/o extraiga la batería de la herramienta eléctrica antes de hacer cualquier ajuste, cambiar accesorios o almacenar herramientas eléctricas.** Estas medidas preventivas de seguridad reducen el riesgo de arranque accidental de la herramienta.
- **Coloque las herramientas eléctricas a ralenti fuera del alcance de los niños y no permita que personas no familiarizadas con la herramienta o con estas instrucciones la utilicen.** Las herramientas eléctricas son peligrosas en manos de personas no capacitadas.
- **Realice labores de mantenimiento de las herramientas eléctricas. Compruebe la alineación o unión de las piezas móviles, si existe rotura de piezas o cualquier otro problema que pueda afectar al funcionamiento de la herramienta. Si alguna pieza está dañada, la herramienta eléctrica debería repararse antes de volver a utilizarla.** Muchos accidentes son causados por un mantenimiento deficiente.
- **Mantenga las herramientas de corte bien afiladas y limpias.** Las herramientas de corte con bordes de corte afilados que tienen un mantenimiento adecuado reducen su deterioro y son más fáciles de controlar.
- **Utilice la herramienta, accesorios, partes eléctricas, etc., de acuerdo con estas instrucciones, teniendo en cuenta las condiciones de trabajo y el trabajo que se va a realizar.** Utilizar la herramienta eléctrica para realizar trabajos diferentes a los que esta herramienta está destinada podría dar como resultado una situación peligrosa.

USO Y CUIDADO DE LA HERRAMIENTA

- **Recargue la unidad solamente con el cargador especificado por el fabricante.** Podría haber un riesgo de incendio cuando se utilice un cargador con una batería para la que no está diseñado.
- **Utilice sólo herramientas eléctricas específicamente diseñadas para ellos.** Utilizar cualquier otro tipo de baterías puede causar lesiones o un riesgo de incendio.
- **Cuando la batería no está en uso, manténgala alejada de otros objetos metálicos como clips, monedas, llaves, clavos, tornillos u otros objetos metálicos pequeños que puedan crear una conexión desde una terminal a otra.** Causar un cortocircuito en los terminales de la batería puede causar quemaduras o un incendio.
- **En condiciones abusivas, podría salir expulsado líquido de la batería, por lo que debería evitar el contacto con éste. Si se produce un contacto accidental, enjuáguese las manos con agua. Si el líquido entra en contacto con los ojos, acuda**

EN
FR
DE
ES
IT
NL
PT
DA
SV
FI
NO
RU
PL
CS
HU
RO
LV
LT
ET
HR
SL
SK
BG



inmediatamente al médico. Si el líquido es expulsado de la batería y entra en contacto con él, podría causar irritación o quemaduras.

MANTENIMIENTO

- **Su herramienta eléctrica debería ser reparada por personas cualificadas, que deberían utilizar únicamente piezas de repuesto idénticas.** Esto garantizará la seguridad a la hora de utilizar la herramienta eléctrica.

AVISOS DE SEGURIDAD ADICIONALES

- Evite el arranque no intencionado. Compruebe siempre que el interruptor está en la posición OFF antes de conectar el producto a la fuente de alimentación. No lleve un producto enchufado con su dedo en el interruptor.
- No exponga este producto a la lluvia o humedad. Si entra agua en el aparato, esto aumentará el riesgo de descargas eléctricas.
- El suministro eléctrico debería efectuarse mediante un dispositivo de corriente residual (RDC) con una corriente activa no superior a 30 mA.
- Antes de cada uso, examine el cable para ver si está dañado. Si hay signos de daños, debe ser reemplazado por un centro de servicio autorizado. Desenrolle siempre el cable durante el uso, los cables enrollados pueden sobrecalentarse.
- Si necesita utilizar un cable de prolongación asegúrese de que es adecuado para usarlo en el exterior y de que tiene una capacidad de corriente suficiente para su herramienta. El cable de prolongación deberá llevar la marca "H05 RN-F" o "H05 VV-F". Antes de cada uso compruebe que el cable de prolongación no está dañado. Mantenga siempre el cable de prolongación desenrollado mientras lo utiliza ya que los cables enrollados pueden sobrecalentarse. Los alargadores no deben repararse, deben sustituirse por otros que sean equivalentes.
- Asegúrese de que el cable de alimentación está situado de tal manera que no se pisará, estorbará ni estará sometido a daños o molestias.
- No coja ni lleve el producto por el cable eléctrico.
- No tire del cable de alimentación para desconectarlo del suministro eléctrico.
- Mantenga el cable eléctrico lejos de fuentes de calor, aceite y bordes afilados.
- Coloque siempre el cable en la parte trasera a cierta distancia del producto.
- Asegúrese de que el voltaje es adecuado para su producto. Una placa de identificación en el producto indica el voltaje de la unidad. No conecte el producto a un voltaje de CA que no se corresponda con su voltaje.
- Asegure que el interruptor está en posición OFF (apagado) antes de desconectar la alimentación o retirar la batería.

UTILIZACIÓN

- Si el cable resulta dañado durante el uso, desconecte el cable de la fuente de alimentación de inmediato. **No**

toque el cable antes de desconectar la corriente. No utilice la máquina si el cable está dañado o gastado.

- Utilice la máquina sólo a horas razonables - no muy temprano por la mañana o tarde por la noche cuando pueda molestar a otras personas.
- No utilice el producto en atmósferas explosivas.
- Evite utilizar el aparato en malas condiciones atmosféricas, especialmente cuando haya riesgo de relámpago.
- No trabaje con esta herramienta en una zona mal iluminada. El operador debe tener una visión clara de la zona de trabajo para identificar peligros potenciales.
- El uso de dispositivos de protección auditiva reducirá su capacidad para oír posibles advertencias (gritos o alarmas). El operador debe prestar atención extra a lo que está sucediendo en el área de trabajo.
- No se distraiga y siempre esté concentrado en lo que está haciendo. Tenga en cuenta y piense bien el efecto de sus acciones.
- Utilizar herramientas similares a poca distancia aumenta tanto el riesgo de lesión auditiva como el riesgo potencial de que otras personas accedan a su área de trabajo.
- Mantenga su pisada firme y su equilibrio. No se extienda demasiado. Si lo hace, podrá perder el equilibrio.
- Asegúrese siempre de que está en una posición firme y segura cuando se encuentre en una cuesta y desplácese caminando, nunca corriendo.
- Mantenga las piezas en movimiento alejadas de su cuerpo. Las aspas de rotación del impulsor pueden causar lesiones graves.
- Nunca utilice la unidad sin los accesorios correctos. Cuando se utilice como soplador, instale siempre los tubos del soplador.
- No modifique la herramienta de modo alguno ni utilice piezas o accesorios que no sean los recomendados por el fabricante.

⚠ ADVERTENCIA

Si el aparato se cae, sufre un impacto fuerte o empieza a vibrar de manera anormal, párelo inmediatamente y compruebe si está dañado o identifique el motivo de la vibración. La reparación de daños y la sustitución de piezas deben ser realizadas por un centro de servicio autorizado.

- Para reducir el riesgo de lesiones asociadas al contacto de las piezas giratorias, detenga siempre el producto, desconecte de la red eléctrica o retire la batería e asegure que todas las piezas móviles están detenidas:
 - antes de limpiar o despejar una obstrucción
 - cuando deje el aparato desatendido
 - antes de colocar o quitar accesorios.
 - antes de inspeccionar, mantener o trabajar con el producto
 - después de golpear un objeto extraño para inspeccionar el aparato y ver si está dañado
 - si el producto empieza a vibrar de forma anormal

(comprobar inmediatamente)

⚠ ADVERTENCIA

El ventilador puede suministrarse con un arnés. Ajuste con cuidado el arnés para ayudarle a soportar el peso del producto más cómodamente.

Identifique el mecanismo de liberación rápida y practique utilizándolo antes de empezar a usar la máquina. Su uso correcto puede evitar lesiones graves en caso de emergencia. No use ropa adicional sobre el arnés, ya que podría limitar el acceso al mecanismo de liberación rápida.

ADVERTENCIAS DE SEGURIDAD DEL SOPLADOR

- Use una máscara de filtro en condiciones en las que haya mucho polvo para reducir el riesgo de lesiones asociadas con la inhalación de polvo.
- No dirija la boquilla del soplador hacia personas o animales domésticos.
- No coloque objetos dentro de los tubos del soplador.
- No maneje la máquina cerca de ventanas abiertas.
- Humedezca ligeramente las superficies cubiertas de polvo.
- Use la extensión completa de la boquilla del soplador para que el flujo de aire pueda funcionar cerca del suelo.
- No coloque el soplador sobre o cerca de restos sueltos de basura. Los restos de basura pueden ser absorbidos por el orificio de entrada de aire dañando como resultado la unidad.

AVISOS DE SEGURIDAD ADICIONALES - BATERÍA

- Lea, comprenda y siga siempre las instrucciones de seguridad suministradas con la batería y el cargador. Si no lo hace, podría provocar una descarga eléctrica, un incendio u otras situaciones peligrosas. Guarde todas las instrucciones juntas en un lugar seguro para realizar futuras consultas.
- Las herramientas de batería no necesitan estar enchufadas a una toma de corriente; por lo tanto, están siempre en condiciones de funcionamiento. Si la máquina no va a utilizarse inmediatamente, no inserte la llave de aislamiento.
- Extraiga la batería antes de hacer cualquier ajuste, limpieza o de quitar material de la unidad.
- No coloque los productos de batería o las pilas cerca del fuego o fuentes de calor. Esto reducirá el riesgo de explosiones y posiblemente lesiones.
- No abra ni desmonte la batería. El electrolito liberado es corrosivo y puede causar daño a los ojos o la piel. Puede ser tóxico si se ingiere.
- Proteja la batería contra la humedad y el agua. No cargue la unidad en lugares húmedos o mojados. Si cumple estrictamente estas consignas reducirá el riesgo de incendio, de recibir una descarga eléctrica y de heridas graves.

- En caso de daños y uso inadecuado de la batería, podría emitirse vapor. Respire aire fresco y acuda a un médico en caso de dolencias. El vapor puede irritar el sistema respiratorio.
- En verano, no deje la batería en el coche.
- No queme la batería. Cuando la batería haya sobrepasado su tiempo de vida útil, deséchela correctamente siguiendo la normativa local de su zona de residencia.
- En condiciones abusivas, podría salir expulsado líquido de la batería, por lo que debería evitar el contacto con éste. Si se produce un contacto accidental, enjuáguese las manos con agua. Si el líquido entra en contacto con los ojos, acuda inmediatamente al médico. Si el líquido es expulsado de la batería y entra en contacto con él, podría causar irritación o quemaduras.

TRANSPORTE Y ALMACENAMIENTO

- Detenga el producto, desconecte de la red eléctrica o retire la batería e deje enfriarse antes de guardarlo o transportarlo.
- Limpie todo el material extraño que pueda permanecer en el producto. Guarde en una zona seca y bien ventilada, a la que no puedan acceder los niños. Evite el contacto con agentes corrosivos tales como productos químicos de jardinería o sales descongelantes. No almacenar al aire libre.
- Para el transporte, asegure la máquina para que no se mueva ni se caiga y evitar así lesionar a alguien o dañar la máquina.

MANTENIMIENTO

⚠ ADVERTENCIA

Utilice sólo piezas y accesorios de recambio originales del fabricante. Si no lo hace podría ocurrir un mal funcionamiento, podrían producirse daños o podría quedar anulada la garantía.

⚠ ADVERTENCIA

Las reparaciones requieren tener mucho cuidado y conocimiento y sólo debe realizarse por un técnico de servicio calificado. Para obtener servicio, le sugerimos que devuelva el producto al centro de servicio autorizado más cercano para reparación. Al realizar una reparación, sólo use piezas de reemplazo idénticas.

- Usted puede realizar los ajustes y reparaciones descritos en este manual del usuario. Para otro tipo de reparaciones póngase en contacto con un agente de servicios autorizado.
- Limpiar el producto con un paño suave seco después de cada uso.
- Verifique a intervalos frecuentes si todas las tuercas, pernos y tornillos están apretados apropiadamente para asegurarse de que el producto esté en buenas condiciones de trabajo. Cualquier pieza dañada debe ser sustituida o reparada adecuadamente por un centro

de servicio autorizado.

USO PREVISTO

Este producto sólo está destinado para usar al aire libre. Este producto no debe ser utilizado por niños o personas con discapacidad física, mental o sensorial. O producto está diseñado para soplar restos de suciedad ligeros, incluidas las hojas, la hierba y otros residuos de jardinería.

RIESGOS RESIDUALES:

Incluso cuando use la máquina conforme a lo prescrito, es imposible eliminar completamente determinados factores de riesgo residuales. Los siguientes peligros pueden surgir en el uso y el operador debe prestar especial atención para evitar lo siguiente:

- Lesiones por vibración. Utilice siempre la herramienta adecuada para el trabajo, utilice los mangos pertinentes y limite el tiempo de trabajo y de exposición.
- La exposición al ruido puede causar pérdidas de audición. Use protección para los oídos y limite el tiempo de exposición.
- Puede haber lesiones causadas por objetos proyectados por el flujo de aire del tubo del soplador o del escape del aspirador, si la bolsa no está instalada o dañada. Lleve puesta la protección ocular adecuada en todo momento.

REDUCCIÓN DEL RIESGO

Se ha informado de que las vibraciones de las herramientas de mano puede contribuir a una condición llamada síndrome de Raynaud en ciertos individuos. Los síntomas pueden incluir hormigueo, entorpecimiento y decoloración de los dedos, generalmente aparentes cuando tiene lugar una exposición al frío. Se considera que los factores hereditarios, exposición al frío y a la humedad, dieta, tabaquismo y prácticas de trabajo contribuyen al desarrollo de estos síntomas. Existen medidas que pueden ser tomadas por el operador para reducir los efectos de vibración:

- Mantenga su cuerpo caliente durante el tiempo frío. Al manipular la unidad, utilice guantes para mantener las manos y las muñecas calientes. Hay informes que indican que el tiempo frío es un gran factor que contribuye al síndrome de Raynaud.
- Después de cada período de funcionamiento, realice ejercicios para aumentar la circulación sanguínea.
- Haga pausas de trabajo frecuentes. Limite la cantidad de exposición por día.

Si siente alguno de los síntomas de esta enfermedad, interrumpa inmediatamente el uso y consulte a su médico estos síntomas.

⚠ ADVERTENCIA

El uso prolongado de una herramienta puede causar o agravar lesiones. Al utilizar cualquier herramienta durante períodos prolongados asegúrese de tomar descansos regulares.

CONOZCA SU PRODUCTO

Véase la página 131.

1. Mango
2. Retenedor de cable
3. Interruptor Marcha
4. Tubo de sopló
5. Boquilla de alta velocidad
6. Batería
7. Cargador de pilas
8. Cable de alimentación

SÍMBOLOS EN EL PRODUCTO



Lea y comprenda todas las instrucciones antes de manipular el producto, respete las advertencias y las instrucciones de seguridad.



Tenga cuidado con los objetos volátiles o lanzados. Mantenga a las demás personas, y en especial a los niños y a los animales, a una distancia mínima de 15 m de la zona de corte.



Use protección auditiva



Utilice protección ocular



No la exponga a la lluvia o a lugares húmedos.



Apagar: desenchufe el aparato antes de realizar cualquier tarea de mantenimiento o de limpieza. Retire el enchufe de la corriente inmediatamente antes de realizar cualquier mantenimiento o si el cable está dañado o cortado.



Esta herramienta responde a todas las normas reglamentarias del país de la UE donde se ha comprado.



Certificado EAC de conformidad



Marca de conformidad ucraniana



Herramienta de tipo II, doble aislamiento



Los productos eléctricos de desperdicio no deben desecharse con desperdicios caseros. Por favor recíclelos donde existan dichas instalaciones. Compruebe con su autoridad local o minorista para reciclar.



El nivel de potencia sonora garantizado es de 94 dB.



Fuente de alimentación : Batería (18V CC)



Fuente de alimentación : Eléctrica (230V CA)

ICONOS DE ESTE MANUAL



Conectar a la toma de corriente



Desconectar de la toma de corriente



OBSERVACIÓN:



Advertencia!

Los siguientes símbolos y palabras detallan los niveles de cuidado necesarios para usar este producto.

PELIGRO

Indica una situación potencialmente peligrosa que, de no evitarse, puede ocasionar la muerte o heridas de gravedad.

ADVERTENCIA

Indica una situación peligrosa que, de no evitarse, puede ocasionar la muerte o heridas de gravedad.

ADVERTENCIA

Indica una situación potencialmente peligrosa que, de no evitarse, puede ocasionar heridas leves.

ADVERTENCIA

Sin símbolo de alerta de seguridad

Indica una situación que puede causar daños en las cosas.

EN

FR

DE

ES

IT

NL

PT

DA

SV

FI

NO

RU

PL

CS

HU

RO

LV

LT

ET

HR

SL

SK

BG

⚠ AVVERTENZA

Quando si utilizza questo prodotto, seguire eventuali norme di sicurezza. Per la sicurezza dell'utente e quella degli osservatori, leggere e comprendere le istruzioni prima di mettere in funzione il prodotto. Conservare le istruzioni per eventuali riferimenti futuri.

⚠ AVVERTENZA

Prodotto non inteso per essere utilizzato da bambini o persone con ridotte capacità fisiche, mentali o sensoriali. Supervisionare adeguatamente i bambini per assicurarsi che non giochino con il prodotto.

UTILIZZO

- Leggere attentamente le istruzioni. Familiarizzare con i comandi e il corretto utilizzo del prodotto.
- Non lasciare mai che bambini, persone con ridotte capacità fisiche, sensoriali o mentali o mancanza di esperienza e conoscenza o persone non familiari con queste istruzioni utilizzino il prodotto. Leggi locali possono limitare l'età dell'operatore.
- Ricordare che l'operatore sarà responsabile di eventuali lesioni o danni a persone o cose.
- Tenere osservatori, bambini e animali ad almeno 15 metri di distanza dall'area delle operazioni. Arrestare l'utensile se eventuali osservatori si avvicinano all'area di lavoro.

PREPARAZIONE

- In alcune regioni norme specifiche limitano l'utilizzo del prodotto ad alcune operazioni. Rivolgersi alle autorità locali per eventuali consigli.
- Mentre si mette in funzione il prodotto indossare sempre calzature resistenti e pantaloni lunghi. Non mettere in funzione l'utensile se scalzi o se si indossano sandali. Evitare di indossare abbigliamento con parti svolazzanti o con cordicelle o cordini pendenti; tali elementi potranno infatti rimanere impigliati nelle parti in movimento.
- Non indossare abiti con parti svolazzanti o gioielli che potranno essere aspirati nelle griglie dell'aria.
- Assicurare i capelli lunghi all'altezza delle spalle per evitare che rimangano impigliati nelle parti in movimento.
- Indossare sempre cuffie per le orecchie mentre si mette in funzione il prodotto. Questo utensile è estremamente rumoroso e si potranno riportare gravi danni all'udito se non si prendono le dovute precauzioni limitando l'esposizione, riducendo il rumore e indossando cuffie di sicurezza.
- Indossare sempre la protezione completa occhi mentre si utilizza questo prodotto. La ditta produttrice raccomanda di utilizzare una maschera per il volto o visiere ermeticamente chiuse. Normali occhiali scuri o da sole non costituiscono una protezione adeguata. Oggetti potranno essere scagliati ad alta velocità dal potente getto d'aria in un qualsiasi momento e potranno essere scagliati da superfici dure contro l'operatore.
- Assicurarsi prima di ciascun utilizzo che tutti i comandi e i dispositivi di sicurezza funzionino correttamente.

Non utilizzare l'utensile se l'interruttore "off" (spento) non arresta il prodotto.

- Prima di ciascun utilizzo, controllare sempre il prodotto per verificare se la sede non sia danneggiata e gli schermi e i manici siano al loro posto e siano correttamente assicurati.
- Riportare presso un centro servizi autorizzato per sostituire le etichette danneggiate o illeggibili.
- Non mettere in funzione il prodotto senza schermi o protezioni o senza dispositivi di sicurezza come per esempio sacchetti per la raccolta di detriti.
- Rimuovere eventuale materiale di scarto dalle griglie dell'aria.
- Utilizzare rastrelli e scope per rimuovere i detriti prima di svolgere operazioni di soffiatura/aspiratura.
- Pulire l'area di lavoro prima di ogni utilizzo. Rimuovere tutti gli oggetti come rocce, vetri rotti, chiodi, cavi, o fili che potranno essere soffiati via da aria ad alta velocità.

AVVERTENZE GENERALI DI SICUREZZA

⚠ AVVERTENZA

Leggere tutte le avvertenze di sicurezza e le istruzioni. La mancata osservanza di tutte le istruzioni potrà causare scosse elettriche, incendi e/o gravi lesioni personali.

Save all warnings and instructions for future reference.

Il termine "elettroutensile" nelle avvertenze fa riferimento a un elettroutensile che funziona con una spina (con cavo) o a batterie (senza cavo).

AMBIENTE DI LAVORO

- **Mantenere l'area di lavoro pulita e ben illuminata.** Aree di lavoro disordinate o non illuminate adeguatamente potranno causare incidenti.
- **Non mettere in funzione gli elettroutensili in atmosfere esplosive, come in presenza di liquidi infiammabili, gas o polvere.** Gli elettroutensili creano scintille che possono causare incendi a contatto con polveri e fumi.
- **Tenere bambini ed eventuali osservatori lontani mentre si mette in funzione l'elettroutensile.** Eventuali distrazioni potranno causare una perdita di controllo.

SICUREZZA ELETTRICA

- **La spina dell'elettroutensile deve corrispondere alla presa. Non modificare la spina in alcun modo. Non utilizzare spine adattatrici con elettroutensili con messa a terra (presa di terra).** Spine non modificate e prese corrispondenti ridurranno il rischio di scosse elettriche.
- **Evitare il contatto del corpo con superfici con messa a terra come tubi, radiatori, piani cottura e refrigeratori.** Rischio aumentato di scosse elettriche se il corpo viene collegato con messa a terra.
- **Non esporre il prodotto a pioggia o umidità.** Nel caso in cui dell'acqua entrerà nell'elettroutensile il



rischio di scosse elettriche aumenterà.

- **Non sottoporre a sforzi il cavo dell'alimentazione. Non trasportare né tirare o scollegare l'elettrotensile dal cavo. Tenere il cavo lontano da calore, olio, angoli appuntiti o parti in movimento.** Cavi danneggiati o intrecciati potranno far aumentare il rischio di scosse elettriche.
- **Quando si mette in funzione un elettrotensile all'esterno, utilizzare una prolunga adatta all'esterno.** Utilizzare un cavo adatto agli esterni per ridurre il rischio di scosse elettriche.
- **Nel caso in cui non si possa fare a meno di mettere in funzione un elettrotensile in un luogo umido, utilizzare un dispositivo di corrente residua (RCD).** Utilizzare un RCD ridurrà il rischio di scosse elettriche.

SICUREZZA PERSONALE

- **Mantenere sempre l'attenzione e utilizzare buon senso quando si utilizza un elettrotensile. Non utilizzare un elettrotensile se stanchi o sotto l'influenza di droghe, alcool o farmaci.** Un momento di disattenzione durante le operazioni potrà risultare in gravi lesioni personali.
- **Utilizzare equipaggiamento di protezione personale. Indossare sempre occhiali di protezione.** Utilizzare sempre equipaggiamento di protezione come maschere per la polvere, calzature antiscivolo, caschi o cuffie di protezione per ridurre rischi di lesioni alla persona.
- **Prevenire l'avvio accidentale. Assicurarsi che l'interruttore sia sulla posizione off (spento) prima di collegare l'utensile all'alimentazione e/o al gruppo batterie, o prima di afferre e trasportare l'utensile.** Trasportare elettrotensili tenendo un dito sull'interruttore o con l'elettrotensile acceso potrà causare incidenti.
- **Rimuovere eventuali chiavi o dispositivi di regolazione prima di accendere l'elettrotensile.** Una chiave o un dispositivo di blocco collegato a una parte rotante dell'utensile potrà risultare in gravi lesioni personali.
- **Non protendersi. Rimanere bene in equilibrio sulle gambe e non distendere troppo lontano le braccia.** Ciò permetterà un miglior controllo dell'elettrotensile in situazioni inaspettate.
- **Indossare un abbigliamento adatto. Non utilizzare abiti con parti svolazzanti o gioielli. Tenere capelli, vestiti e guanti lontani dalle parti in movimento.** Abiti con parti svolazzanti, gioielli o capelli lunghi potranno rimanere impigliati nelle parti in movimento.
- **Nel caso in cui vengano forniti dispositivi per l'estrazione e la raccolta della polvere, assicurarsi che gli stessi siano collegati e utilizzati correttamente.** Utilizzare il sacchetto di raccolta della polvere può ridurre rischi collegati alla polvere.

UTILIZZO E MANUTENZIONE ELETTROTENSILI

- **Non forzare il prodotto. Utilizzare l'elettrotensile corretto per il proprio lavoro.** L'elettrotensile corretto svolgerà in maniera migliore e più sicura il lavoro per il

quale è stato progettato.

- **Non utilizzare l'elettrotensile se l'interruttore non si accende e spegne.** Un elettrotensile che non può essere controllato dall'interruttore è pericoloso e deve essere riparato.
- **Scollegare la presa dall'alimentazione e/o il gruppo batterie dall'elettrotensile prima di svolgere le eventuali regolazioni, cambiare gli accessori o riporre elettrotensili.** Queste misure di sicurezza preventive ridurranno il rischio di avvio dell'elettrotensile.
- **Riporre elettrotensili lontano dalla portata dei bambini e non permettere a persone che non conoscano il funzionamento dell'elettrotensile o queste istruzioni di metterlo in funzione.** Gli elettrotensili possono essere pericolosi se utilizzati da personale non preparato.
- **Svolgere sempre le operazioni di manutenzione sull'elettrotensile. Controllare l'eventuale allineamento scorretto o blocco delle parti in movimento, la rottura di parti e qualsiasi altra condizione che potrà influenzare il funzionamento dell'elettrotensile. In caso di danni far riparare l'elettrotensile prima di utilizzarlo.** Elettrotensili sui quali non sono state svolte le dovute operazioni di manutenzione possono essere causa di incidenti.
- **Mantenere tutti gli utensili affilati e appuntiti.** Utensili per operazioni di taglio con parti taglienti sui quali sono state svolte le corrette operazioni di manutenzione non si bloccheranno e saranno più facili da controllare.
- **Utilizzare l'elettrotensile, i suoi accessori, le punte ecc. assieme a queste istruzioni tenendo conto delle condizioni di lavoro e del lavoro da svolgere.** Utilizzare l'elettrotensile per operazioni diverse da quelle indicate potrà causare situazioni pericolose.

UTILIZZO E MANUTENZIONE DI UN UTENSILE A BATTERIE

- **Ricaricare solo con il caricatore indicato dalla ditta produttrice.** Un caricatore adatto per un tipo di batterie potrà creare un rischio di incendio se utilizzato con un altro gruppo batterie.
- **Utilizzare elettrotensili solo con i gruppi batteria indicati.** L'utilizzo di gruppi batteria diversi da quelli indicati potrà causare rischi di lesioni e incendi.
- **Quando il gruppo batterie non viene utilizzato, tenerlo lontano da oggetti in metallo come fermagli, monete, chiavi, chiodi, viti o altri piccoli oggetti che potranno fare da tramite da un terminale all'altro.** Cortocircuitare i terminali della batteria assieme potrà causare scottature o incendi.
- **Se sottoposto a stress, la batteria potrà perdere dei liquidi; evitare il contatto. Se si entra accidentalmente in contatto con tali liquidi, lavarsi immediatamente con acqua. Se il liquido entra negli occhi, rivolgersi a un medico.** Il liquido espulso dalla batteria potrà causare irritazioni o scottature.





MANUTENZIONE

- **Far svolgere la manutenzione da personale qualificato utilizzando solo parti di ricambio identiche.** Ciò permette di mantenere la sicurezza dell'elettroutensile.

ULTERIORI AVVERTENZE DI SICUREZZA

- Non mettere in funzione accidentalmente l'utensile. Controllare sempre che l'interruttore sia in posizione Off (spento) prima di collegare il prodotto all'alimentazione. Non trasportare mai il prodotto con il dito sull'interruttore.
- Non esporre il prodotto a pioggia o umidità. Si aumenterà il rischio di scosse elettriche nel caso in cui l'acqua entri nel dispositivo.
- La corrente elettrica dovrà essere fornita attraverso un dispositivo di corrente residua (RCD) con una corrente di scatto non superiore a 30 mA.
- Prima di ogni utilizzo, controllare il cavo dell'alimentazione per evidenziare eventuali danni. Nel caso in cui si riscontrino segni di danni, far sostituire l'utensile da un centro servizi autorizzato. Srotolare sempre il cavo prima dell'uso, cavi arrotolati possono surriscaldarsi.
- Prima di utilizzare una prolunga assicurarsi che sia adatta all'utilizzo in esterni e che abbia la capacità nominale sufficiente per l'utensile. La prolunga dovrà essere marcata con "H05 RN-F" o "H05 VV-F". Controllare che il cavo della prolunga non presenti danni prima di ogni utilizzo. Srotolare sempre il cavo della tensione durante l'utilizzo dal momento che cavi arrotolati potranno surriscaldarsi. Cavi di prolughe danneggiati non devono essere riparati, devono essere sostituiti con un tipo equivalente.
- Assicurarsi che il cavo dell'alimentazione sia posizionato in modo che l'operatore non vi passi sopra, non vi inciampi o non sia altrimenti soggetto a danni o stress.
- Non prendere né trasportare mai il prodotto dal cavo elettrico.
- Non scollegare mai l'utensile tirando il cavo dalla presa.
- Tenere il cavo lontano da fonti di calore, olio ed angoli appuntiti.
- Spostare sempre il cavo verso la parte posteriore del prodotto.
- Assicurarsi che il voltaggio sia corretto per il prodotto. Una targhetta sul prodotto indica il voltaggio dell'unità. Non collegare il prodotto a voltaggio AC diverso dal voltaggio del presente prodotto.
- Assicurarsi che l'interruttore sia su OFF (Spento) prima di scollegare il dispositivo dall'alimentazione o rimuovere il gruppo batterie.

UTILIZZO

- Nel caso in cui un cavo venga danneggiato durante l'utilizzo, scollegare il cavo dell'alimentazione dalla presa immediatamente. **Non toccare il cavo prima di scollegarlo dall'alimentazione elettrica.** Non utilizzare l'utensile se il cavo è danneggiato o usurato.
- Mettere in funzione l'utensili a orari ragionevoli – mai al mattino presto o a tarda sera per non disturbare altre persone.
- Non mettere mai in funzione il prodotto in un'atmosfera

esplosiva.

- Evitare di utilizzare il prodotto in cattive condizioni climatiche soprattutto in caso di rischi di fulmini.
- Norme di sicurezza generali non utilizzare questo apparecchio in una zona scarsamente illuminata. L'area di lavoro deve essere pulita per essere in grado di individuare potenziali rischi.
- L'utilizzo di dispositivi di protezione ridurrà la capacità di ascoltare eventuali segnali d'allarme (grida o avvertimenti). L'operatore dovrà prestare attenzione a ciò che accade nella zona di lavoro.
- Non venire distratti e concentrarsi sempre su ciò che si sta facendo. Pensare e considerare l'effetto delle proprie azioni attentamente.
- Mettere in funzione utensili simili troppo vicino al proprio corpo aumenterà il rischio di lesioni all'udito e i rischi potenziali per le persone che entrano nell'area di lavoro.
- Mantenere sempre un appoggio saldo e l'equilibrio. Non protendersi. Protendersi potrà causare una perdita di equilibrio.
- Assicurarsi sempre un solido equilibrio su pendii e camminare sempre, non correre mai.
- Tenere tutte le parti del proprio corpo lontane dalle parti in movimento. Le lame rotanti possono causare gravi lesioni personali.
- Non avviare l'utensile senza gli accessori corretti. Quando utilizzato come soffiatore, montare sempre i tubi del soffiatore.
- Non modificare l'utensile in alcun modo né utilizzare parti e accessori non raccomandati dalla ditta produttrice.

AVVERTENZA

Se il prodotto cade, subisce impatti pesanti o inizia a vibrare in maniera anomala, arrestarlo e controllare eventuali danni per identificare la causa delle vibrazioni. Riparare eventuali danni o far sostituire i pezzi da un centro servizi autorizzato.

- Per ridurre il rischio di lesioni legate al contatto con parti rotanti, arrestare sempre il prodotto, scollegare dall'alimentazione o rimuovere la batteria e assicurarsi che tutte le parti in movimento si siano arrestate:
 - prima di svolgere operazioni di pulizia o rimuovere un blocco
 - quando si lascia il prodotto incustodito
 - prima di montare o rimuovere accessori
 - prima di svolgere operazioni di controllo, manutenzione o lavoro sul prodotto
 - Dopo aver colpito un corpo estraneo controllare il prodotto per individuare eventuali danni
 - se il prodotto inizia a vibrare in maniera anomala (controllare immediatamente)





⚠ AVVERTENZA

Il soffiatore-aspiratore potrà essere venduto con una cinghia. Regolare attentamente la cinghia per aiutare a sostenere in maniera comoda il peso del prodotto.

Identificare il meccanismo a rilascio veloce e fare pratica nell'utilizzarlo prima di mettere in funzione la macchina. L'utilizzo corretto può prevenire gravi lesioni in caso d'emergenza. Non indossare mai altri capi di abbigliamento sulla cinghia in caso contrario limitare l'accesso al meccanismo a rilascio veloce.

AVVERTENZE DI SICUREZZA SOFFIATORE

- Se l'utilizzo dell'apparecchio produce polvere, indossare una maschera in grado di filtrare le particelle della polvere per evitare i rischi legati all'inalazione di polveri nocive.
- Non rivolgere la bocca del soffiatore verso persone o animali domestici.
- Non posizionare oggetti nei tubi del soffiatore.
- Non mettere in funzione accanto a finestre.
- Inumidire le superfici con una leggera presenza di polvere.
- Utilizzare come estensione un ugello a totale soffiatura in modo che il flusso d'aria possa funzionare vicino al suolo.
- Non posizionare il soffiatore su o accanto a detriti molto piccoli. Detriti molto piccoli potranno essere aspirati nelle griglie di aspirazione causando gravi danni all'unità.

ULTERIORI AVVERTENZE DI SICUREZZA - BATTERIA

- Leggere, comprendere e seguire sempre le istruzioni di sicurezza fornite con la batteria e con il caricatore. La mancata osservanza potrà causare scosse elettriche, incendi o altre situazioni pericolose. Conservare tutte le istruzioni assieme in un luogo sicuro per eventuali riferimenti futuri.
- Gli utensili a batterie non devono essere collegati a una presa per funzionare; tali utensili sono quindi in grado di funzionare sempre. Se il dispositivo non dovrà essere utilizzato immediatamente, non inserire la chiave dell'isolatore.
- Rimuovere il gruppo batterie prima di svolgere eventuali regolazioni, operazioni di pulizia o rimuovere materiale dall'unità.
- Non posizionare i prodotti a batteria o le loro batterie vicino a fuoco o fonti di calore. Ciò ridurrà il rischio di esplosione e lesioni alla persona.
- Non aprire o danneggiare la batteria. Il liquido elettrolitico rilasciato è corrosivo e può causare danni agli occhi e alla pelle. Può essere tossico se ingoiato.
- Proteggere il gruppo batterie da acqua e umidità. Non ricaricare in zone umide o bagnate. Il rispetto di tale norma limita il rischio di incendi, scosse elettriche e lesioni fisiche.
- In caso di danni e di utilizzo improprio della batteria, l'utensile potrà emettere dei vapori. Esporsi ad aria fresca e rivolgersi a un medico in caso di malore. I

vapori creati potranno irritare il sistema respiratorio.

- Non lasciare il gruppo batterie in un veicolo in estate.
- Non bruciare la batteria. Quando la batteria ha esaurito la durata, smaltirla correttamente seguendo le norme e regolamentazioni locali per la propria area.
- Se sottoposto a stress, la batteria potrà perdere dei liquidi; evitare il contatto. Se si entra accidentalmente in contatto con tali liquidi, lavarsi immediatamente con acqua. Se il liquido entra negli occhi, rivolgersi a un medico. Il liquido espulso dalla batteria potrà causare irritazioni o scottature.

TRASPORTO E RIPONIMENTO

- Arrestare il prodotto, scollegarlo dall'alimentazione o rimuovere la batteria e lasciare raffreddare prima di riporre o trasportare.
- Rimuovere eventuali materiali di scarto dal prodotto. Riporre in un luogo asciutto e ben ventilato non accessibile ai bambini. tenerlo a distanza da agenti corrosivi, come le sostanze chimiche per il giardinaggio e il fondente chimico. Non riporre all'esterno.
- Per il trasporto, assicurare l'utensile contro il movimento e la caduta per prevenire lesioni a persone o danni alla macchina.

MANUTENZIONE

⚠ AVVERTENZA

Utilizzare solo parti di ricambio, accessori e dispositivi originali della ditta produttrice. In caso contrario si potranno causare lesioni, prestazioni basse e la garanzia verrà invalidata.

⚠ AVVERTENZA

Le operazioni di manutenzione devono essere svolte con grande attenzione e accortezza solo da un tecnico qualificato. Si consiglia di riportare l'utensile al più vicino centro assistenza autorizzato per farlo riparare. Quando l'attrezzo viene riparato, utilizzare solo ricambi identici.

- L'operatore potrà fare le regolazioni e riparazioni descritte nel presente manuale. Per ulteriori riparazioni, contattare il centro servizi autorizzato.
- Dopo ogni uso, pulire il prodotto con un panno morbido e asciutto.
- Controllare frequentemente dadi, bulloni e viti, verificando che siano stati assicurati correttamente per fare in modo che il prodotto garantisca condizioni di lavoro ottimali. Riparare eventuali parti danneggiate o farle sostituire da un centro servizi autorizzato.

UTILIZZO RACCOMANDATO

Prodotto indicato solo per l'utilizzo all'esterno.

Prodotto non inteso per essere utilizzato da bambini o persone con ridotte capacità fisiche, mentali o sensoriali.

Prodotto adatto a soffiare detriti leggeri come foglie, erba, e altri scarti da giardino.

EN
FR
DE
ES
IT
NL
PT
DA
SV
FI
NO
RU
PL
CS
HU
RO
LV
LT
ET
HR
SL
SK
BG



RISCHI RESIDUI:

Anche quando l'utensile è utilizzato come indicato nel manuale, non è completamente impossibile eliminare alcuni fattori di rischio residuo. Si potranno verificare i seguenti rischi durante l'utilizzo e l'operatore dovrà prestare attenzione speciale per evitare quanto segue:

- Lesioni causate da vibrazioni. Utilizzare sempre l'utensile adatto per svolgere il lavoro, utilizzare i manici appositi e limitare le ore di lavoro e l'esposizione.
- L'esposizione al rumore può causare lesioni all'udito. Indossare cuffie di protezione e limitare l'esposizione.
- Si potranno ricevere lesioni da oggetti scagliati dal flusso dell'aria o da scarichi dell'aspiratore se il sacchetto non è stato installato o è danneggiato. Indossare sempre protezione occhi adeguata.

RIDUZIONE DEL RISCHIO

Si è accertato che le vibrazioni causate da utensili a mano possono contribuire a causare una condizione chiamata Sindrome di Raynaud in alcune persone. I sintomi, comprendenti formicolio, intorpidimento e perdita di colore alle dita, si verificano di solito quando ci si espone al freddo. Fattori ereditari, esposizione a freddo e umidità, una dieta scorretta, fumo e condizioni di lavoro non sicure potranno contribuire allo sviluppo di questi sintomi. È possibile prendere delle precauzioni per ridurre le vibrazioni:

- Tenere il corpo al caldo a basse temperature. Quando si utilizza l'utensile, indossare guanti e tenere le mani e i polsi caldi. Le basse temperature contribuiscono a causare la Sindrome di Raynaud.
- Dopo aver utilizzato l'utensile per un certo periodo, fare degli esercizi per stimolare la circolazione del sangue.
- Fare spesso delle pause. Limitare la quantità di esposizione giornaliera.

Nel caso in cui si provino i sintomi di questa condizione, interrompere immediatamente l'utilizzo dell'utensile e consultare un dottore.

AVVERTENZA

Il prolungato utilizzo dell'utensile potrà causare o aggravare lesioni. Quando si utilizza questo utensile per periodi di tempo prolungati, assicurarsi di fare sempre delle pause regolari.

FAMILIARIZZARE CON IL PRODOTTO

Vedere pagina 131.

1. Manico
2. Dispositivo di blocco cavo
3. Pulsante di messa in funzione
4. Tubo soffiatore
5. Ugello ad alta velocità
6. Batteria
7. Caricatore batteria
8. Cavo di alimentazione

SIMBOLI SUL PRODOTTO



Leggere e comprendere tutte le istruzioni prima di mettere in funzione il prodotto, seguire tutte le istruzioni e le avvertenze di sicurezza.



Fare attenzione ad oggetti scagliati o lanciati dall'utensile. Mantenere le persone estranee e, in particolar modo, i bambini e gli animali domestici ad una distanza di almeno 15 m dall'area di lavoro.



Indossare cuffie di protezione



Indossare dispositivi di protezione occhi



Non esporre a pioggia o umidità.



Spegnere: rimuovere la spina dall'alimentazione principale prima di svolgere le operazioni di pulizia o manutenzione



Rimuovere la spina immediatamente prima delle operazioni di manutenzione o se il cavo è tagliato o danneggiato.



Questo apparecchio è conforme a tutte le norme vigenti nel paese dell'UE in cui è stato acquistato.



Marchio di conformità EurAsian



Marchio di conformità ucraino



Utensile di Classe II, isolamento doppio



I prodotti elettrici non devono essere smaltiti con i rifiuti domestici. Vi sono strutture per smaltire tali prodotti. Informarsi presso il proprio Comune o rivenditore di sicurezza per smaltire adeguatamente tali rifiuti.



Il livello garantito di potenza sonora è di 94 dB.







Potenza alimentazione : Batteria (DC 18V)



Potenza alimentazione : Elettrico (AC 230V)

ICONE IN QUESTO MANUALE

-  Collegare alla presa dell'alimentazione
-  Scollegare dalla presa dell'alimentazione
-  NOTA:
-  Avvertenza!

I seguenti simboli indicano i livelli di rischio associati a questo prodotto.

- ⚠ PERICOLO**
Indica una situazione pericolosa che, se non evitata attentamente, potrà causare gravi lesioni alla persona o morte.
- ⚠ AVVERTENZA**
Indica una situazione potenzialmente pericolosa che, se non evitata attentamente, potrà causare gravi lesioni alla persona o morte
- ⚠ ATTENZIONE**
Indica una situazione potenzialmente pericolosa che, se non evitata attentamente, potrà causare lesioni minori o moderate alla persona.

ATTENZIONE
Senza simbolo di allerta di sicurezza
Indica una situazione che potrà risultare in gravi danni a cose.

⚠ WAARSCHUWING

Wanneer u het product gebruikt, moeten de veiligheidsregels worden opgevolgd. Voor uw eigen veiligheid en deze van omstanders, moet u deze instructies lezen en begrijpen voor u het product gebruikt. Bewaar de instructies voor later gebruik.

⚠ WAARSCHUWING

Het product is niet geschikt voor gebruik door kinderen of personen met verminderde fysieke, mentale of zintuigelijke vermogens. Kinderen moeten onder toezicht staan om ervoor te zorgen dat ze niet met het product spelen.

OPLEIDING

- Lees zorgvuldig de instructies. Wees vertrouwd met de bedieningen en het correct gebruik van het product.
- Laat kinderen, personen met verminderde fysieke, zintuigelijke of mentale vermogens of een gebrek aan ervaring of kennis of mensen die niet vertrouwd zijn met deze gebruiksaanwijzingen, het product niet gebruiken. De plaatselijke wetgeving kan beperkingen opleggen i.v.m. de leeftijd van de bediener.
- Hou er rekening mee dat de bediener of gebruiker verantwoordelijk is voor ongevallen of gevaren t.o.v. anderen of hun eigendom.
- Houd omstanders, kinderen en huisdieren op tenminste 15 m afstand van het werkgebied. Stop de machine als iemand het werkgebied betreedt.

VOORBEREIDING

- In enkele streken gelden regels die het gebruik van het product tot enkele handelingen beperken. Raadpleeg uw lokale autoriteit voor advies.
- Terwijl u het product bedient, draagt u altijd stevig schoeisel en een lange broek. Gebruik de machine wanneer u blootsvoets bent of open sandalen draagt. Vermijd het dragen van losse kledij of kledij met loshangende snoeren; ze kunnen verstrikt raken in de bewegende delen.
- Draag geen losse kledij of juwelen die in de luchtinlaat kunnen worden ingetrokken.
- Maak lang haar vast zodat het zich boven schouderlengte bevindt om te voorkomen dat het in een bewegend deel verstrikt raakt.
- Draag steeds gehoorbescherming terwijl u dit product gebruikt. Deze machine maakt enorm veel geluid en er kan gehoorschade optreden als de voorzorgsmaatregelen om het geluid te verminderen niet worden opgevolgd en er geen gehoorbescherming wordt gedragen.
- Draag steeds volledige gezichtsbescherming terwijl u dit product gebruikt. De fabrikant raadt ten eerste het gebruik aan van een volledig gezichtsmasker of een gesloten veiligheidsbril. Een normale bril of zonnebril is geen afdoende bescherming. Voorwerpen kunnen tegen hoge snelheid door een krachtige luchtstoot worden weggeslingerd en vanaf een hard oppervlak in

de richting van de bediener worden teruggestuurd.

- Controleer voor elk gebruik of alle bedieningsknoppen en veiligheidsinrichtingen goed functioneren. Gebruik het werktuig niet als de "uit"-knop het product niet stillegt.
- Voor elk gebruik inspecteert u altijd visueel of de behuizing onbeschadigd is en dat alle beschermers en handvatten goed zijn gemonteerd en stevig vastgemaakt.
- Raadpleeg een geautoriseerd servicecentrum om beschadigde of onleesbare etiketten te vervangen.
- Gebruik het product nooit met een defecte beschermer of schild of zonder veiligheidsvoorzieningen, bijvoorbeeld een afvalcollector.
- Houd alle koelluchtinlaten vrij van afval.
- Gebruik harken en bezems om restafval los te maken voordat u gaat blazen/zuigen.
- Maak voor elk gebruik de werkplek vrij. Verwijder alle objecten, zoals stenen, gebroken glas, nagels, ijzerdraad of kunststof draad, die een aanzienlijke afstand en hard kunnen worden weggeblazen.

ALGEMENE VEILIGHEIDSWAARSCHUWINGEN

⚠ WAARSCHUWING

Lees alle veiligheidswaarschuwingen en instructies. Wanneer niet de waarschuwingen en instructies niet opvolgt, kan dit leiden tot elektrische schok en/of ernstig letsel.

Save all warnings and instructions for future reference.

De term "elektrisch gereedschap" in de waarschuwingen verwijst naar gereedschap dat met de stroomtoevoer is verbonden (met snoer) of accu-aangedreven (snoerloos) gereedschap.

WERKOMGEVING

- **Houd de werkplek schoon en goed verlicht.** Vervuilde of donkere plekken nodigen uit tot ongevallen.
- **Gebruik elektrische werktuigen niet in explosieve omgevingen, zoals in de aanwezigheid van ontvlambare vloeistoffen, gassen of stof.** Elektrisch gereedschap kan vonken veroorzaken die het stof of de gassen kunnen ontsteken.
- **Houd kinderen en omstanders weg terwijl u elektrisch gereedschap gebruikt.** Wanneer u wordt afgeleid, kunt u de controle verliezen.

ELEKTRISCHE VEILIGHEID

- **Stekkers van elektrisch gereedschap moeten overeenkomen met de contactdoos. Wijzig de stekker nooit. Gebruik geen adapters met gearde elektrische werktuigen.** Niet-gewijzigde stekkers en overeenkomstige contactdozen zullen het risico op elektrische schok verminderen.
- **Vermijd lichaamscontact met een geaard oppervlak, zoals buizen, radiatoren, kookfornuizen en koelkasten.** Er bestaat een verhoogd risico voor elektrische schokken als uw lichaam is geaard.



EN
FR
DE
ES
IT
NL
PT
DA
SV
FI
NO
RU
PL
CS
HU
RO
LV
LT
ET
HR
SL
SK
BG

- **Stel dit product niet bloot aan regen of natte omstandigheden.** Water dat een elektrisch werktuig binnendringt, verhoogt het risico op elektrische schokken.
- **Misbruik het snoer niet. Gebruik het snoer nooit om het elektrisch werktuig te dragen, eraan te trekken of het uit de contactdoos te trekken. Houd het snoer weg van hitte, olie, scherpe randen of bewegende onderdelen.** Beschadigde of verstrikte snoeren verhogen het risico op elektrische schokken.
- **Gebruik een verlengsnoer geschikt voor buitenshuis gebruik wanneer u een elektrisch werktuig buitenshuis gebruikt.** Het gebruik van een snoer dat geschikt is voor buitenshuis gebruik, vermindert het risico op elektrische schokken.
- **Als het gebruik van een elektrisch werktuig op een vochtige plaats onvermijdelijk is, gebruikt u een contactdoos die beschermd is door een aardlekschakelaar.** Het gebruik van een aardlekschakelaar vermindert het risico op elektrische schokken.

PERSOONLIJKE VEILIGHEID

- **Blijf alert, kijk naar wat u doet en gebruik uw gezond verstand wanneer u elektrisch gereedschap gebruikt.** Gebruik een elektrisch werktuig niet wanneer u moe of onder de invloed van drugs, alcohol of medicijnen bent. Een ogenblik van onoplettendheid terwijl u elektrisch gereedschap gebruikt, kan leiden tot ernstige verwondingen.
- **Gebruik een persoonlijke beschermuitrusting. Draag altijd gehoorbescherming.** Beschermonderdelen, zoals een stofmasker, antislipschoeisel, helm of gehoorbescherming dat op een geschikte manier wordt gebruikt, zal het risico op verwondingen verlagen.
- **Ongevenst starten voorkomen. Zorg ervoor dat de schakelaar zich in de uit-stand bevindt voor u de machine met een stroombron en/of accupack verbindt, de machine opheft of draagt.** Wanneer u elektrisch gereedschap draagt met de vinger op de schakelaar of wanneer het gereedschap met de stroombron is verbonden, kan dit leiden tot ongevallen.
- **Verwijder alle afstelsleutels voor u het elektrisch werktuig inschakelt.** Een sleutel die op een draaiend onderdeel van het elektrisch gereedschap werd achtergelaten, kan leiden tot verwondingen.
- **Overrek u niet. Ga altijd stevig op uw benen staan en reik niet te ver weg met uw arm.** Dit maakt een betere controle van het werktuig in onverwachte omstandigheden mogelijk.
- **Draag geen wijde kleding, dassen of sieraden die klem kunnen raken en u naar de bewegende delen toe kunnen trekken. Draag geen losse kledij of juwelen. Houd uw haar, kledij en handschoenen weg van de bewegende onderdelen.** Losse kledij, juwelen of lang haar kan in bewegende onderdelen verstrikt raken.
- **Als er apparaten worden geleverd voor de verbinding met een stofextractie en verzamelfaciliteiten, zorgt u ervoor dat deze zijn verbonden en goed worden gebruikt.** Het gebruik van een stofverzamelaar

vermindert stof-gerelateerde gevaren.

GEbruIK VAN EN ZORG VOOR UW ELEKTRISCH GE-REEDSCHAP

- **Forceer het product niet. Gebruik het correcte werktuig voor uw toepassing.** Het juiste werktuig zal de taak beter en veiliger uitvoeren aan het tempo waarvoor het werd ontworpen.
- **Gebruik het elektrisch werktuig niet als de schakelaar het niet kan in- of uitschakelen.** Een elektrisch werktuig dat niet met behulp van de schakelaar kan worden bediend, is gevaarlijk en moet worden gerepareerd.
- **Trek de stekker uit de contactdoos en/of ontkoppel het accupack van het gereedschap voor u de machine afstelt, accessoires wisselt of het werktuig opbergt.** Zulke preventieve veiligheidsmaatregelen kunnen het risico op ongewenst starten van de machine verminderen.
- **Bewaar ongebruikt elektrisch gereedschap buiten het bereik van kinderen en niet-opgeleide personen die het gereedschap of deze gebruiksaanwijzingen niet kennen.** Elektrisch gereedschap is gevaarlijk in de handen van niet-opgeleide gebruikers.
- **Onderhoud elektrisch gereedschap. Controleer op verkeerde aflijning of verstrikt raken van bewegende delen, defecten van onderdelen en alle andere situaties die de werking van het werktuig kunnen beïnvloeden. Indien beschadigd, laat u het elektrisch gereedschap repareren voor gebruik.** Veel ongevallen worden veroorzaakt door slecht onderhouden elektrische werktuigen.
- **Houd de zaagwerktuigen scherp en schoon.** Correct onderhouden zaagwerktuigen met scherpe randen zijn minder geneigd om verstrikt te raken en kunnen makkelijker worden bestuurd.
- **Gebruik het werktuig, de accessoires en werktuigonderdelen, etc. in overeenstemming met deze instructies en houd rekening met de bedrijfsomstandigheden en het uit te voeren werk.** Het gebruik van een elektrisch werktuig voor zaken die niet in het voorgeschreven gebruik zijn beschreven, kan leiden tot gevaarlijke situaties.

GEbruIK EN ONDERHOUD VAN HET ACCU-ANGEDREVEN WERKTUIG

- **Herlaad enkel met de oplader die door de fabrikant is gespecificeerd.** Een oplader die voor een type accupack is geschikt kan een brandgevaar betekenen wanneer het met een ander accupack wordt gebruikt.
- **Gebruik elektrisch gereedschap uitsluitend met de specifiek toegewezen accupacks.** Het gebruik van andere accupacks kan leiden tot risico's op letsels en brand.
- **Wanneer het accupack niet wordt gebruikt, moet u het weg houden van andere metalen objecten, zoals papierclips, munten, sleutels, spijkers, schroeven of andere kleine metalen voorwerpen die een verbinding kan maken van een terminal naar een andere.** De batterijterminals kortsluiten kan leiden tot brandwonden of brand.





- In oneigenlijke omstandigheden, kan een vloeistof uit de accu lekken; vermijd contact hiermee. Als per ongeluk contact voorkomt, spoelt u met water. Als de vloeistof in contact komt met de ogen, dient u bijkomend medische hulp te raadplegen. Vloeistof die uit de accu lekt, kan irritatie of brandwonden veroorzaken.

ONDERHOUD

- Laat uw elektrisch gereedschap onderhouden door een gekwalificeerd onderhoudspersoon en gebruik hierbij uitsluitend identieke vervangonderdelen. Dit zal ervoor zorgen dat de veiligheid van het werktuig wordt behouden.

BIJKOMENDE VEILIGHEIDSWAARSCHUWINGEN

- Voorkom ongewild starten. Controleer altijd of de schakelaar zich in de uit-stand bevindt voor u het product met de contactdoos verbindt. Draag het product niet met de stekker in het stopcontact en uw vinger op de schakelaar.
- Stel dit product niet bloot aan regen of natte omstandigheden. Water dat in het apparaat binnensijpelt verhoogt het risico voor elektrische schok.
- Elektrische stroom moet via een aardlekschakelaar (RCD) worden geleverd met een uitschakelstroom van niet meer dan 30 mA.
- Voor elk gebruik controleert u het stroomsnoer op schade. Als er tekenen van schade zijn, moet dit door een geautoriseerd onderhoudscentrum worden vervangen. Ontrol het stroomsnoer altijd tijdens gebruik, opgerolde snoeren kunnen oververhitten.
- Als u een verlengsnoer moet gebruiken, zorgt u ervoor dat het geschikt is voor buitenshuis gebruik en een stroomvoercapaciteit heeft die volstaat om uw werktuig aan te drijven. Het verlengsnoer moet gemarkeerd zijn met "H05 RN-F" of "H05 VV-F". Controleer het verlengsnoer voor elk gebruik op schade. Ontrol het verlengsnoer altijd tijdens gebruik omdat opgerolde kabels kunnen oververhitten. Beschadigde verlengsnoeren mogen niet worden hersteld, maar moeten door een gelijkaardig type worden vervangen.
- Zorg ervoor dat het stroomsnoer zo is geplaatst dat men er niet kan op stappen, over kan struikelen of het op een andere manier wordt blootgesteld aan stress of schade.
- Til het product nooit op aan de elektrische kabel of draag het nooit aan de elektrische kabel.
- Trek nooit aan het stroomsnoer om van de stroomtoevoer te ontkoppelen.
- Houd het stroomsnoer weg van hitte, olie en scherpe randen.
- Richt het snoer altijd naar de achterkant, weg van het product.
- Zorg ervoor dat de spanning aangepast is aan het product. Een naamplaatje op het product duidt de spanning van het toestel aan. Verbind het product nooit met een AC-spanning die verschilt van deze spanning.
- Zorg ervoor dat de schakelaar zich in de UIT-stand bevindt voor u het apparaat van de stroombron

ontkoppelt of het batterijpack verwijderd.

BEDIENING

- Als het snoer tijdens het gebruik beschadigd raakt, trekt u onmiddellijk de stekker uit de contactdoos. **Raak het snoer niet aan voor u de stroomtoevoer hebt ontkoppeld.** Gebruik de machine niet als het snoer versleten of beschadigd is.
- Gebruik de machine uitsluitend op redelijke tijdstippen – niet heel vroeg op de ochtend of 's avonds laat als dit mensen kan hinderen.
- Gebruik het product nooit in een explosieve atmosfeer.
- Vermijd gebruik van het product bij slecht weer, vooral als er gevaar voor bliksem bestaat.
- Gebruik dit apparaat niet op plekken waar u niet goed kunt zien. De gebruiker heeft een duidelijk overzicht nodig van het werkgebied om mogelijke gevaren te identificeren.
- Het gebruik van gehoorbescherming vermindert de mogelijkheid om waarschuwingen (verbaal of alarmeren) te horen. De gebruiker moet extra aandacht hebben voor wat er op de werkplaats gebeurt.
- Laat u niet afleiden en concentreer altijd op wat u doet. Denk aan en overweeg zorgvuldig de gevolgen van uw handelingen.
- Het gebruik van gelijksoortige apparaten in de nabijheid verhoogt het risico van letsel en de mogelijkheid dat er andere mensen in uw werkgebied komen.
- Bewaar steeds een stevige houvast en goed evenwicht. Overrek u niet. Rek u niet uit, waardoor u uw evenwicht kunt verliezen.
- Zorg altijd dat u stevig vast staat op hellingen en wandel, ren nooit.
- Houd alle lichaamsdelen weg van de bewegende delen. Ronddraaiende rotorbladen kunnen ernstige letsels veroorzaken.
- Laat het toestel nooit werken wanneer de geschikte uitrusting niet werd bevestigd. Indien gebruikt als blazer, installeert u de blazerbuizen altijd.
- Het apparaat op geen enkele wijze aanpassen of reserveonderdelen gebruiken die niet worden aanbevolen door de fabrikant.

WAARSCHUWING

Als u het product laat vallen, het een ernstige impact ondergaat of abnormaal begint te trillen, legt u het product onmiddellijk stil en controleert u het op schade of zoekt u naar de oorzaak van de trillingen. Enige schade moet direct worden gerepareerd of vervangen door een bevoegd onderhoudscentrum.

- Om het risico op letsels inherent verbonden met roterende onderdelen te vermijden, ontkoppelt u het apparaat van de stroombron of verwijdert u de batterij en zorgt u ervoor dat alle roterende onderdelen volledig zijn stilgevallen.
 - voor u een blokkering reinigt of weghaalt
 - wanneer u het product onbeheerd achterlaat
 - voor u voorzetstukken installeert of verwijdert



- voor het controleren, onderhouden of werken aan het product.
- nadat een vreemd voorwerp werd geraakt om het product op schade te controleren.
- als het product abnormaal begint te trillen (onmiddellijk controleren)

⚠ WAARSCHUWING

Uw blazer kan met een harnas worden geleverd. Stel het harnas voorzichtig af om op een comfortabele manier te helpen het gewicht van het product te dragen.

Zoek het snelle ontgrendelmechanisme en oefen dit voor u de machine begint te gebruiken. Een goed gebruik kan ernstig letsel vermijden bij een noodgeval. Draag nooit kleding over het harnas of kleding dat de toegang tot de sneisluiting beperkt.

VEILIGHEIDSWAARSCHUWINGEN VOOR DE BLAZER

- Draag een mondmasker in stofferige omstandigheden om het risico op letfels verbonden met het inademen van stof, te verminderen.
- Richt de blazermond nooit in de richting van mensen of huisdieren.
- Plaats nooit objecten in de blaasbuizen.
- Gebruik de machine niet in de buurt van een open raam.
- Bevochtig de oppervlakken iets in stoffige omstandigheden.
- Gebruik het volledige spuitstuk van de blazer zodat de luchtstroom dicht bij de grond kan werken.
- Plaats de blazer niet boven op of in de buurt van losse afvalstukken. Het afval kan in de inlaatopening worden gezogen waardoor deze mogelijk beschadigd raakt.

BIJKOMENDE VEILIGHEIDSWAARSCHUWINGEN - ACCU

- Lees, begrijp en volg altijd de veiligheidsvoorschriften die met uw batterij en lader werden meegeleverd. Als u dit niet doet, kan dit leiden tot een elektrische schok, brand of een andere gevaarlijke situatie. Bewaar alle instructies samen op een veilige plaats voor later gebruik.
- Accuaangedreven gereedschap hoeft niet met een stopcontact te zijn verbonden en bevindt zich daarom altijd in een gebruiksklare toestand. Als de machine niet onmiddellijk zal worden gebruikt, mag u de isolatorsleutel niet inbrengen.
- Verwijder het accupack voor u de machine afstelt, reinigt of materiaal uit de machine verwijdert.
- Plaats geen accuprodukten of hun accu's in de buurt van vuur of hitte. Dit zal het gevaar op explosie en mogelijke letfels verminderen.
- Open of beschadig het accupack nooit. Vrijgekomen elektrolyt is corrosief en kan schade aan ogen of huid veroorzaken. Het kan giftig zijn indien het wordt ingenomen.

- Bescherm het accupack tegen vocht en water. Laad de machine niet op een vochtige of natte plek op. Zo kunt u het gevaar voor brand, elektrische schokken of lichamelijke letsel beperken.
- In geval van schade en oneigenlijk gebruik van de accu, kan er stoom vrijkomen. Zorg voor verse lucht en raadpleeg medische hulp ingeval van klachten. De stoom kan leiden tot irritatie van de luchtwegen.
- Laat het accupack niet in de wagen achter in de zomer.
- Verbrand de accu niet. Als de accu kapot is, deze naar behoren afvoeren volgens de plaatselijke wetgeving in uw regio.
- In oneigenlijke omstandigheden, kan een vloeistof uit de accu lekken; vermijd contact hiermee. Als per ongeluk contact voorkomt, spoelt u met water. Als de vloeistof in contact komt met de ogen, dient u bijkomend medische hulp te raadplegen. Vloeistof die uit de accu lekt, kan irritatie of brandwonden veroorzaken.

TRANSPORT EN OPSLAG

- Leg het product stil, ontkoppel de stroombron of verwijder de batterij en laat afkoelen voor u het apparaat opbergt of transporteert.
- Verwijder alle vreemde voorwerpen van het product. Bewaar op een koele, droge en goed geventileerde plaats die niet toegankelijk is voor kinderen. Houd corrosieve producten, zoals tuinchemicaliën en strooizout uit de buurt van het apparaat. Bewaar niet buitenshuis.
- Voor transport beveiligd u de machine tegen bewegingen of vallen om letfels of schade aan de machine te voorkomen.

ONDERHOUD

⚠ WAARSCHUWING

Gebruik uitsluitend originele vervangonderdelen, accessoires en voorzetstukken van de fabrikant. Als u dit niet doet, kan dit mogelijk letfels of slechte prestaties veroorzaken waardoor uw garantie kan vervallen.

⚠ WAARSCHUWING

Het onderhoud vereist extreme voorzichtigheid en deskundigheid en mag enkel door een gekwalificeerde onderhoudstechnicus worden uitgevoerd. Wij raden u aan het toestel voor herstellingen naar uw dichtstbijzijnde erkende onderhoudsdienst terug te brengen. Gebruik voor het onderhoud alleen identieke vervangingsonderdelen.

- U kunt de afstellingen en reparaties die in deze gebruiksaanwijzing worden vermeld, uitvoeren. Voor andere herstellingen, neemt u contact op met uw geautoriseerd onderhoudsagent.
- Na elk gebruik, reinigt u het product met een zachte, droge doek.
- Controleer regelmatig of alle moeren, bouten en vijzen goed zijn vastgemaakt om zeker te zijn dat het product

veilig kan worden gebruikt. Een beschadigd onderdeel moet door een geautoriseerd onderhoudscentrum goed worden gerepareerd of vervangen.

VOORGESCHREVEN GEBRUIK

Het product is uitsluitend geschikt voor buitenshuis gebruik.

Het product is niet geschikt voor gebruik door kinderen of personen met verminderde fysieke, mentale of zintuigelijke vermogens.

Het product is bedoeld om lichte afval, zoals bladeren, gras en ander tuinafval, te blazen.

RESTRISICO'S

Zelfs als de machine zoals voorgeschreven wordt gebruikt, is het onmogelijk om bepaalde restrisico's te vermijden. De volgende gevaren kunnen zich voordoen tijdens het gebruik en de gebruiker dient in het bijzonder aandacht te hebben om de volgende situaties te vermijden:

- Letsels veroorzaakt door trillingen. Gebruik altijd het juiste gereedschap voor de taak, gebruik de toegewezen handvaten en beperk de gebruikstijd en blootstelling.
- Blootstelling aan geluid kan gehoorletsels veroorzaken. Draag gehoorbescherming en beperk de blootstelling.
- Letsel mogelijk door vliegende objecten door de luchtstroom van de blaasbuis of vacuümuiltaat als de zak niet is geplaatst of beschadigd is. Draag steeds aangepaste gezichtsbescherming.

RISICOBEPERKING

Er zijn meldingen dat trillingen van handwerktuigen bij sommige mensen bijdragen tot het Syndroom van Raynaud. Symptomen kunnen ondermeer tintelingen, gevoelloosheid en bleek worden van de vingers omvatten, wat normaal gezien duidelijk wordt bij blootstelling aan koude. Erfelijke factoren, blootstelling aan koude en vocht, dieet, roken en werkroutine kunnen allemaal bijdragen tot de ontwikkeling van deze symptomen. Er kunnen door de bediener maatregelen worden genomen om de gevolgen van de trillingen te beperken:

- Houd bij koud weer uw lichaam warm. Draag handschoenen wanneer u de machine gebruikt om handen en polsen warm te houden. Men neemt aan dat koud weer een belangrijke factor is die bijdraagt tot het Syndroom van Raynaud.
- Doe oefeningen om de bloeddoorstroming te bevorderen na elke periode van gebruik.
- Neem regelmatig een pauze. Beperk het aantal uren dat u per dag wordt blootgesteld.

Wanneer u enige van de symptomen van deze aandoening ervaart, stop dan onmiddellijk met het gebruik van het toestel en raadpleeg uw dokter

⚠ WAARSCHUWING

Letsels kunnen worden veroorzaakt of ernstiger worden door verlengd gebruik van een werktuig. Als u een werktuig gedurende langere periodes gebruikt, neem dan regelmatig pauze.

KEN UW PRODUCT

Zie pagina 131.

1. Handvat
2. Snoerhouder
3. Drukknop aan
4. Blaasbuis
5. Mondstuk voor hoge snelheid
6. Accu
7. Acculader
8. Stroomsnoer

SYMBOLEN OP HET PRODUCT



Lees en begrijp alle instructies voor u het product bedient, volg alle waarschuwingen en veiligheidsinstructies.



Houd rekening met weggeslingerde of rondvliegende voorwerpen. Zorg dat omstanders, in het bijzonder kinderen en huisdieren, minstens 15 meter verwijderd blijven van de plek waar u werkt.



Draag gehoorbescherming



Draag gezichtsbescherming



Stel niet bloot aan regen of vocht.



Schakel het product uit, trek de stekker uit de contactdoos voor reiniging of onderhoud.



Verwijder onmiddellijk de stekker uit de contactdoos voor onderhoudswerken of wanneer het snoer is beschadigd of doorsneden.



Dit apparaat voldoet aan alle geldende normen van Lid-Staat van de Europese Unie waar het werd gekocht.



EurAsian-symbool van overeenstemming.



Oekraïens conformiteitssymbool



Klasse II-apparaat, dubbele isolatie



Elektrisch afval mag niet samen met ander huishoudafval worden weggegooid. Gelieve te recycleren indien de mogelijkheid bestaat. Neem contact op met uw lokaal bestuur of handelaar om advies te krijgen over recyclage.



Het gegarandeerd geluidsniveau bedraagt 94 dB.



Netvoeding : Accu (Gelijkstroom 18V)



Netvoeding : Elektrische (Wisselstroom 230V)

ICONEN IN DEZE GEBRUIKSAANWIJZING



Met een contactdoos verbinden



Trek uit de contactdoos



OPMERKING:



Waarschuwing!

De volgende kernwoorden en verklaringen zijn bedoeld om de gevaarniveaus die op dit toestel betrekking hebben, te verklaren.

GEVAAR

Wijst op een gevaarlijke situatie die, als ze niet wordt voorkomen, dodelijk kan zijn of ernstige verwondingen kan veroorzaken.

WAARSCHUWING

Wijst op een mogelijks gevaarlijke situatie die, als ze niet wordt voorkomen, dodelijk kan zijn of ernstige verwondingen kan veroorzaken.

LET OP

Wijst op een mogelijks gevaarlijke situatie die, als ze niet wordt voorkomen, kleine of middelmatige verwondingen kan veroorzaken.

LET OP

Zonder veiligheidswaarschuwingssymbool

Wijst op een situatie die kan leiden tot materiële schade.

ADVERTÊNCIA

Ao utilizar o produto, devem seguir-se as normas de segurança. Para sua própria segurança e a dos transeuntes, deve ler e compreender todas estas instruções antes de começar a utilizar o aparelho. Guarde as instruções para usá-las no futuro.

ADVERTÊNCIA

O produto não deve ser utilizado por crianças nem por pessoas com capacidades físicas, mentais ou sensoriais reduzidas. As crianças devem ser mantidas sob vigilância adequada para se garantir que não brincam com o produto.

AVISOS GERAIS DE SEGURANÇA

FORMAÇÃO

- Leia as instruções com atenção. Familiarize-se com os controlos e a utilização adequada do aparelho.
- Nunca deixe que o aparelho seja utilizado por crianças, pessoas com capacidade física, sensorial ou mental reduzida, pessoas sem experiência nem conhecimentos nem pessoas que não estejam familiarizadas com estas instruções. A legislação local pode restringir a idade do operador.
- Mantenha em mente que o operador ou o utilizador é responsável pelos acidentes ou perigos que ocorrem a outras pessoas ou à sua propriedade.
- Mantenha os transeuntes, as crianças e os animais a 15 m de distância da zona de operação. Pare a máquina se alguém entrar na área.

PREPARAÇÃO

- Algumas regiões têm normas que restringem o uso do produto para algumas operações. Consulte a sua autoridade local para obter informação.
- Durante o funcionamento do produto, use sempre calçado forte e calças longas. Não opere a máquina se estiver descalço ou se usar sandálias. Evite usar roupa larga com cordões ou gravata, porque poderá encravar nas partes móveis.
- Não use roupa larga nem missangas que possam ir para entrada de ar.
- Prenda o cabelo comprido para que fique acima do nível dos ombros para evitar que fique emaranhado em quaisquer peças móveis.
- Coloque sempre uma proteção para os ouvidos enquanto manipula este aparelho. Esta máquina é extremamente ruidosa e poderá resultar em danos permanentes para a audição caso não tome as precauções necessárias para limitar a exposição, reduzir o ruído e usar proteção auditiva.
- Coloque sempre uma proteção total para os olhos enquanto manipula este aparelho. O fabricante recomenda encarecidamente o uso de uma máscara completa ou de umas luvas protetoras totalmente fechadas. Os óculos normais ou de sol não são uma

proteção adequada. Em qualquer momento, os objetos podem ser projetados a grande velocidade devido ao potente jorro de ar e podem fazer ricochete em superfícies duras em direção ao operador.

- Certifique-se antes de cada uso que todos os controlos e dispositivos de segurança funcionam corretamente. Não utilize a ferramenta se o interruptor "off" não parar o aparelho.
- Antes de cada uso, observe sempre a armação para verificar que não está danificada e que as proteções e cabos estão no seu sítio e corretamente fixos.
- Devolva o aparelho a um centro de assistência autorizado para substituir etiquetas danificadas ou ilegíveis.
- Nunca coloque o produto a funcionar com proteções ou defesas defeituosas ou sem dispositivos de segurança, por exemplo coletor de detritos no sítio.
- Mantenha as entradas de ar para arrefecimento sem obstruções.
- Use ancinhos e vassouras para soltar os detritos antes de soprar/aspirar.
- Desimpeça a área onde pretende trabalhar antes de cada utilização. Remova todos os objetos como pedras, cacos de vidro, pregos, arame ou fios que possam ser projetados a uma distância considerável pelo ar de alta velocidade.

AVISOS GERAIS DE SEGURANÇA

ADVERTÊNCIA

Leia todos os avisos de segurança e todas as instruções. O facto de não seguir os avisos e as instruções pode conduzir a choque eléctrico, fogo e/ou lesão grave.

Save all warnings and instructions for future reference.

O termo "ferramenta eléctrica" nos avisos refere-se à ferramenta operada através de ligação à rede eléctrica (com fios) ou à ferramenta operada através de bateria (sem fios).

AMBIENTE DE TRABALHO

- **Mantenha a área de trabalho limpa e bem iluminada.** As áreas desordenadas ou escuras são um convite para acidentes.
- **Não opere ferramentas eléctricas em atmosferas explosivas, tais como na presença de líquidos inflamáveis, gases ou poeira.** As ferramentas eléctricas criam faíscas que podem causar a inflamação de poeiras ou vapores.
- **Ao operar esta ferramenta eléctrica, mantenha as crianças e as pessoas presentes afastadas.** Distrações podem fazer com que perca o controlo.

SEGURANÇA ELÉCTRICA

- **As fichas eléctricas da ferramenta têm de corresponder à tomada. Nunca altere a ficha seja de que maneira for. Não use quaisquer fichas adaptadoras com ferramentas de ligação com terra.**

As fichas não modificadas e tomadas compatíveis reduzirão o risco de choque eléctrico.

- **Evite o contacto do corpo com superfícies com ligação terra ou enterradas, tais como tubos, radiadores, fogões e frigoríficos.** Há um aumento do risco de choque eléctrico se o seu corpo estiver ligado à terra.
- **Não exponha este produto à chuva ou humidade elevada.** A entrada de água na ferramenta eléctrica aumentará o risco de choque eléctrico.
- **Não abuse do cabo de alimentação. Nunca use o cabo para carregar, puxar ou retirar a ficha da ferramenta da tomada. Mantenha o cabo afastado do calor, óleo, pontas afiadas ou peças móveis.** Os cabos danificados ou emaranhados aumentam o risco de choque eléctrico.
- **Ao operar uma ferramenta eléctrica ao ar livre, use um cabo de extensão apropriado para o uso ao ar livre.** A utilização de um cabo apropriado para o uso ao ar livre reduz o risco de choque eléctrico.
- **Se operar uma ferramenta eléctrica num local húmido é inevitável, use uma fonte com protecção de dispositivo de corrente residual (RCD).** O uso de um RCD reduz o risco de choque eléctrico.

SEGURANÇA PESSOAL

- **Ao operar esta ferramenta eléctrica, permaneça alerta, tenha em atenção ao que está a fazer e use o bom senso. Não utilize a ferramenta eléctrica quando se sentir cansado ou se se encontrar sob a influência de drogas, álcool ou medicamentos.** Um momento de desatenção enquanto opera estas ferramentas eléctricas pode resultar em ferimentos graves.
- **Utilizar equipamento de protecção. Use sempre protecção para os olhos.** O equipamento de protecção tal como a máscara contra pó, calçado antiderrapante de segurança, capacete, ou protecção para os ouvidos, usado para condições apropriadas irá reduzir a probabilidade de ferimentos.
- **Evite o arranque involuntário. Assegure-se de que o interruptor se encontra na posição de desligado antes de o ligar à fonte de energia e/ou bateria, levantando ou transportando a ferramenta.** Transportar ferramentas eléctricas com o seu dedo no interruptor ou ligar à corrente ferramentas eléctricas que têm o interruptor ligado são um convite a acidentes.
- **Remova qualquer chave de ajuste antes de ligar a ferramenta eléctrica.** Uma chave-inglesa ou uma chave colocada numa peça móvel da ferramenta eléctrica pode causar lesões pessoais.
- **Não se aproxime em demasia. Fique sempre bem apoiado nas pernas e não estique demasiado o braço.** Isto possibilita um melhor controlo da ferramenta eléctrica em situações inesperadas.
- **Use roupas adequadas. Não use roupa larga ou acessórios de jóias. Mantenha o seu cabelo, roupa e luvas longe das peças móveis.** A roupa larga, jóias ou cabelo comprido podem ficar presos nas peças móveis.
- **Se são fornecidos os dispositivos para a ligação de**

espaços de extracção e recolha de pó, assegure-se de que estes se encontram conectados e usados correctamente. A utilização de um colectador de pó pode reduzir os perigos relacionados com o pó.

UTILIZAÇÃO E MANUTENÇÃO DA FERRAMENTA ELÉCTRICA

- **Não force o produto. Use a ferramenta eléctrica correcta para a sua aplicação.** A ferramenta fará o seu trabalho melhor e de forma mais segura trabalhando ao ritmo para que foi concebida.
 - **Não use uma ferramenta caso o interruptor não ligue e desligue a ferramenta eléctrica correctamente.** Qualquer ferramenta eléctrica que não possa ser controlada com o interruptor é perigosa e deve ser reparada.
 - **Desligue a ficha da alimentação eléctrica e/ou a bateria da ferramenta antes de proceder a quaisquer ajustes, mudança de acessórios ou de armazenar ferramentas eléctricas.** Estas medidas de segurança preventivas reduzem o risco de arranque accidental da ferramenta eléctrica.
 - **Armazene as ferramentas eléctricas fora do alcance das crianças e não permita que pessoas não familiarizadas com a ferramenta eléctrica ou com estas instruções utilizem a ferramenta eléctrica.** As ferramentas eléctricas são perigosas nas mãos de utilizadores inexperientes.
 - **Realize a manutenção das ferramentas eléctricas. Verifique se existe desalinhamento ou emperramento das peças móveis, ruptura das peças e qualquer outra condição que possa ter afectado o funcionamento da ferramenta eléctrica. Se danificado, mande a ferramenta eléctrica ser reparada antes de a utilizar.** Muitos acidentes são causados por ferramentas eléctricas com fracas manutenções.
 - **Mantenha as ferramentas de corte afiadas e limpas.** É menos provável que as ferramentas de corte com uma correcta manutenção e com pontas de corte afiadas fiquem presas e são mais fáceis de controlar.
 - **Utilize a ferramenta, acessórios, peças eléctricas, etc., de acordo com estas instruções, tendo em conta as condições de trabalho e o trabalho que se vai realizar.** O uso da ferramenta eléctrica para as operações diferentes daquelas a que se destina podem causar uma situação perigosa.
- ## UTILIZAÇÃO E MANUTENÇÃO DA BATERIA
- **Recarregue apenas com o carregador especificado pelo fabricante.** Um carregador que seja adequado para um tipo de bateria pode causar risco de incêndio, quando utilizado com outra bateria.
 - **Use ferramentas eléctricas somente com baterias especificamente concebidas.** O uso de qualquer outro tipo de bateria pode causar risco de lesões e incêndio.
 - **Quando a bateria não estiver a ser utilizada, mantenha-a afastada de outros objectos metálicos como cliques de papel, moedas, chaves, pregos, parafusos, ou outros pequenos objectos metálicos**

que podem fazer a ligação de um terminal para outro. Ligar os terminais da bateria em conjunto pode causar queimaduras ou um incêndio.

- **Sob circunstâncias abusivas, o líquido pode ser ejectado da bateria, evite o contacto. Se o contacto ocorrer acidentalmente, limpe com água abundante. Se o líquido entrar em contacto com os olhos, procure adicionalmente assistência médica.** O líquido ejectado da bateria pode causar irritação ou queimaduras.

MANUTENÇÃO

- **A manutenção da sua ferramenta eléctrica deve ser efectuada por uma pessoa qualificada para reparações, utilizando apenas peças de substituição idênticas.** Isto assegurará que a segurança da ferramenta eléctrica é mantida.

AVISOS DE SEGURANÇA ADICIONAIS

- Evite um arranque inesperado. Verifique sempre se o interruptor está na posição OFF (desligado) antes de ligar o produto à corrente eléctrica. Não transporte um produto ligado com o dedo no interruptor.
- Não exponha este produto à chuva ou humidade elevada. Se entrar água no aparelho, isto aumentará o risco de descargas eléctricas.
- O fornecimento eléctrico deveria efectuar-se através de um dispositivo de corrente residual (RDC) com uma corrente activa não superior a 30 mA.
- Antes de cada uso, examine o cabo para ver se está danificado. Se houver sinais de danos, deve ser substituído por um centro de serviço autorizado. Desenrole sempre o cable durante o uso, os cabos enrolados podem sobreaquecer.
- Se necessitar utilizar um cabo de prolongamento assegure-se de que é adequado para usá-lo no exterior e de que tem uma capacidade de corrente suficiente para a sua ferramenta. O cabo de prolongamento deverá levar a marca "H05 RN-F" ou "H05 VV-F". Antes de cada uso verifique que o cabo de prolongamento não está danificado. Mantenha sempre o cabo de prolongamento desenrolado enquanto o utiliza porque os cabos enrolados podem sobreaquecer. Os alargadores não devem ser reparados, devem ser substituídos por outros que sejam equivalentes.
- Assegure-se de que o cabo de alimentação está situado de tal maneira que não se pisará, estorvará nem estará submetido a danos ou incómodos.
- Não pegue nem leve o produto pelo cabo eléctrico.
- Não pegue no cabo de alimentação para desligá-lo do fornecimento eléctrico.
- Mantenha o cabo eléctrico afastado do calor, óleo e pontas afiadas.
- Direcione sem o cabo para trás afastando-o do produto.
- Assegure-se de que a voltagem é adequada para o seu produto. Uma placa de identificação no produto indica a voltagem da unidade. Não ligue o produto a uma voltagem de CA que não corresponda à sua voltagem.
- Assegure-se que o interruptor está na posição OFF (desligado) antes de desligar a alimentação ou retirar

a bateria.

UTILIZAÇÃO

- Se o cabo ficar danificado durante a utilização, desligue imediatamente o cabo de alimentação da tomada. **Não toque no cabo antes de o desligar da corrente.** Não utilize a máquina se o cabo estiver danificado ou gasto.
- Opere a máquina apenas em horas convenientes – não cedo de manhã ou tarde à noite, quando as pessoas podem ser perturbadas.
- Nunca opere o aparelho num ambiente explosivo.
- Evite utilizar o aparelho em más condições atmosféricas, especialmente quando houver risco de relâmpago.
- Não utilize esta ferramenta numa zona com pouca luz. O operador necessita de uma visão clara da área de trabalho para identificar potenciais perigos.
- O uso da protecção auditiva reduz a sua capacidade de ouvir avisos (gritos ou alarmes). O operador deve prestar atenção extra àquilo que está a acontecer na área de trabalho.
- Não se desconcentre e concentre-se sempre no que está a fazer. Tenha em conta e pense bem no efeito das suas ações.
- Operar ferramentas similares nas proximidades aumenta tanto o risco de lesão auditiva e o potencial para outras pessoas entrarem na sua área de trabalho.
- Mantenha-se bem apoiado e equilibrado. Não se aproxime em demasia. Tentar esticar-se demais pode provocar a perda de equilíbrio.
- Assegure-se sempre de que está numa posição firme e segura quando se encontre numa costa e desloque-se a caminhar, nunca a correr.
- Mantenha qualquer peça em movimento longe do seu próprio corpo. As pás impulsoras em rotação podem provocar lesões graves.
- Nunca opere a unidade sem o equipamento apropriado instalado. Quando usado como um soprador, instale sempre os tubos de sopra.
- Não modifique a máquina em qualquer forma nem use peças e acessórios que não sejam recomendados pelo fabricante.

⚠ ADVERTÊNCIA

Se o aparelho cair, sofrer um impacto forte ou começar a vibrar de maneira anormal, pare-o imediatamente e verifique se está danificado ou identifique o motivo da vibração. Qualquer dano deve ser devidamente reparado ou substituído por um centro de assistência autorizado.

- Para reduzir o risco de lesões associadas ao contacto das peças rotativas, pare sempre o produto, desligue da rede eléctrica ou retire a bateria e assegure-se que todas as peças móveis estão paradas:
 - antes de limpar ou despejar uma obstrução
 - quando deixar o aparelho sem ninguém
 - antes de colocar ou tirar acessórios.
 - antes de verificar, fazer a manutenção ou funcionar

com o produto

- depois de bater num objeto estranho para inspecionar o aparelho e ver se está danificado
- se o produto começar a vibrar de forma anormal (verifique imediatamente)

⚠ ADVERTÊNCIA

O insuflador pode ser fornecido com um arnês. Ajuste com cuidado o arnês para ajudá-lo a suportar o peso do produto mais comodamente.

Identifique o mecanismo de libertação rápida e pratique utilizando-o antes de começar a usar a máquina. A sua utilização correta pode prevenir lesões graves em caso de uma emergência. Nunca use roupas adicionais sobre o arnês nem restrinja, de outro modo, o acesso ao mecanismo de libertação rápida.

AVISOS DE SEGURANÇA DO SOPRADOR

- Use uma máscara de filtro de rosto em condições de poeira para reduzir o risco de lesão associada à inalação de pó.
- Não aponte o soprador na direcção de pessoas ou animais de estimação.
- Nunca coloque objetos dentro dos tubos do soprador.
- Não utilize a máquina junto a janelas abertas.
- Humedeça ligeiramente as superfícies em condições de poeira.
- Use a extensão completa do bocal do soprador para que o fluxo de ar possa funcionar junto ao solo.
- Não coloque o soprador sobre ou perto de detritos soltos. Os detritos podem ser sugados para a ventilação de admissão, resultando em possíveis danos para a unidade.

AVISOS DE SEGURANÇA ADICIONAIS - BATERIA

- Leia, compreenda e siga sempre as instruções de segurança que são fornecidas com a sua bateria e carregador. A não observância pode resultar em choque elétrico, incêndio ou outras situações de perigo. Guarde todas as instruções juntas num local seguro para futuras consultas.
- As ferramentas de bateria não têm que estar ligadas a uma tomada eléctrica, por conseguinte, estarão sempre em estado de funcionamento. Se o cortador não for utilizado imediatamente, não insira a chave de isolamento.
- Extraia a bateria antes de fazer qualquer ajuste, limpeza ou de tirar material da unidade.
- Não coloque aparelhos com bateria ou as respectivas baterias perto de fogo ou fontes de calor. Esta operação irá reduzir o risco de explosão e possíveis lesões.
- Não abra nem danifique a bateria. O electrólito libertado é corrosivo e pode causar danos nos olhos ou na pele. Pode ser tóxico no caso de ingestão.
- Proteja a bateria contra a humidade e a água. Não carregue a unidade em lugares húmidos ou molhados. Reduz assim os riscos de choque eléctrico, de incêndio

ou de ferimentos graves.

- Em caso de danos e uso inadequado da bateria, poderia emitir-se vapor. Proporcione ar fresco e vá a um médico em caso de queixas. O vapor pode irritar o sistema respiratório.
- No verão, não deixe a bateria no carro.
- Não queime a bateria. Quando a bateria já tiver ultrapassado a sua vida útil, descarte corretamente de acordo com os regulamentos locais na área onde reside.
- Sob circunstâncias abusivas, o líquido pode ser ejectado da bateria, evite o contacto. Se o contacto ocorrer acidentalmente, limpe com água abundante. Se o líquido entrar em contacto com os olhos, procure adicionalmente assistência médica. O líquido ejectado da bateria pode causar irritação ou queimaduras.

TRANSPORTE E ARMAZENAMENTO

- Pare o produto, desligue da rede eléctrica ou retire a bateria e deixe que arrefeça antes de o guardar ou transportar.
- Limpe todos os materiais estranhos do produto. Guarde-o num local fresco e seco e bem ventilado a que as crianças não consigam aceder. Mantenha-o afastado de substâncias corrosivas, tais como produtos químicos utilizados em jardinagem e sais de descongelação. Não armazenar ao ar livre.
- Para o transporte, segure a máquina para não se mover nem cair e evitar assim lesionar alguém ou danificar a máquina.

MANUTENÇÃO

⚠ ADVERTÊNCIA

Utilize apenas peças de substituição, acessórios e encaixes do fabricante original. A inobservância desta indicação pode causar um fraco desempenho, possíveis lesões e poderá anular a sua garantia.

⚠ ADVERTÊNCIA

Os serviços de manutenção requerem extremo cuidado e conhecimentos e devem apenas ser realizado por um técnico de assistência qualificado. Para assistência, sugerimos que devolva o produto ao seu centro de assistência autorizado mais próximo para reparação. Ao realizar serviços de manutenção, use apenas peças de substituição idênticas.

- Pode realizar os ajustes e reparações descritos neste manual do utilizador. Para outro tipo de reparações entre em contacto com um agente de serviço autorizado.
- Limpar o produto com um pano suave seco depois de cada uso.
- Verifique todas as porcas, pregos e parafusos com intervalos frequentes para confirmar a tensão apropriada e se certificar que o produto está em condições seguras de funcionamento. Qualquer

peça danificada deve ser substituída ou reparada adequadamente por um centro de serviço autorizado.

USO PREVISTO

Este produto destina-se exclusivamente a ser utilizado ao ar livre.

O produto não deve ser utilizado por crianças nem por pessoas com capacidades físicas, mentais ou sensoriais reduzidas.

O produto destina-se a soprar detritos leves, incluindo folhas, grama e outros resíduos de jardim.

RISCOS RESIDUAIS:

Mesmo quando a máquina é usada conforme prescrito, ainda é impossível eliminar completamente determinados factores de risco residuais. Os seguintes perigos podem surgir na utilização e o operador deve prestar especial atenção para evitar o seguinte:

- Lesões por vibração. Use sempre a ferramenta certa para o trabalho, use pegas concebidas e restrinja o tempo e exposição de trabalho.
- A exposição ao ruído pode provocar perda de audição. Use protecção para os ouvidos e limite o tempo de exposição.
- Lesões causadas por objetos projetados do fluxo de ar do tubo do soprador ou escape do aspirador, se o saco não está instalado ou danificado. Coloque sempre a protecção ocular adequada.

REDUÇÃO DO RISCO

Foi reportado que as vibrações das ferramentas de mão podem contribuir para uma doença designada de Síndrome de Raynaud em determinados indivíduos. Os sintomas podem incluir formigueiro, entorpecimento e empalidecimento dos dedos, habitualmente visível aquando da exposição ao frio. Estima-se que os factores hereditários, exposição ao frio e humidade, dieta, tabagismo e práticas de trabalho contribuem todos para o desenvolvimento destes sintomas. Existem medidas que podem ser tomadas pelo operador para possivelmente reduzir os efeitos da vibração:

- Mantenha o seu corpo quente durante o tempo frio. Ao operar a unidade, use luvas para manter as mãos e os pulsos quentes. Encontra-se reportado que o tempo frio é um grande factor que contribui para o Síndrome de Raynaud.
- Após cada período de operação, exercite para aumentar a circulação sanguínea.
- Faça pausas frequentes no trabalho. Limite o tempo de exposição por dia.

Caso sinta algum dos sintomas desta doença, interrompa de imediato a sua utilização e consulte o seu médico sobre estes sintomas.

⚠ ADVERTÊNCIA

O uso prolongado de uma ferramenta pode causar o agravar lesões. Ao usar qualquer ferramenta durante períodos prolongados, assegure-se que faz intervalos regulares.

CONHEÇA O SER APARELHO

Ver a página 131.

1. Manipulo
2. Fixador de cabo
3. Botão de premir Liga
4. Tubo de sopra
5. Boquilha de alta velocidade
6. Bateria
7. Carregador da bateria
8. Cabo de alimentação

SÍMBOLOS NO PRODUTO



Leia e compreenda todas as instruções antes de manipular o produto, respeite os alertas e as instruções de segurança.



Tenha cuidado com os objectos voláteis ou lançados. Mantenha os visitantes e especialmente as crianças e os animais, a uma distância de pelo menos 15 m da zona de corte.



Use protecção para os ouvidos



Usar protecção para os olhos



Não o exponha à chuva ou a condições de humidade.



Desligar: desligue o aparelho antes de realizar qualquer tarefa de manutenção ou de limpeza.



Retire a ficha da corrente de imediato antes da manutenção ou caso o cabo esteja danificado ou cortado.



Esta ferramenta obedece a todas as normas regulamentares do país da UE onde foi comprada.



Marca de conformidade EurAsian.



Marca de conformidade ucraniana



Ferramenta de tipo II, duplo isolamento



Os aparelhos eléctricos antigos não devem ser eliminados juntamente com o lixo doméstico. Recicle onde existem instalações para o efeito. Verifique com as suas Autoridades Locais ou revendedor para obter informações sobre reciclagem.



O nível de potência sonora garantido é de 94 dB.



Fonte de alimentação : Bateria (DC 18V)



Fonte de alimentação : Eléctrico (AC 230V)

ÍCONES NESTE MANUAL



Ligar à tomada de corrente



Desligar da tomada de corrente



NOTA:



Advertência!

As seguintes palavras de sinal e significados destinam-se a explicar os níveis de risco associados a este produto.

PERIGO

Indica uma situação perigosa iminente, que, se não evitada, poderá resultar em morte ou ferimentos graves.

ADVERTÊNCIA

Indica uma situação potencialmente perigosa, que, se não evitada, poderá conduzir à morte ou graves lesões.

ADVERTÊNCIA

Indica uma situação potencialmente perigosa, que, se não evitada, poderá resultar em pequenas ou moderadas lesões.

ADVERTÊNCIA

Sem símbolo de alerta de segurança

Indica uma situação que pode resultar em danos de propriedade.

ADVARSEL

Når produktet anvendes, skal sikkerhedsreglerne efterleves. Af hensyn til egen og andres sikkerhed skal man læse og forstå denne brugsanvisning, inden produktet anvendes. Disse sikkerhedsregler skal opbevares med henblik på senere brug.

ADVARSEL

Produktet er ikke beregnet til at blive benyttet af børn eller personer med nedsatte fysiske, mentale eller sensoriske evner. Børn bør holdes under tilstrækkeligt opsyn, så man er sikker på, at de ikke leger med produktet.

UDDANNELSE

- Læs brugsanvisningen omhyggeligt. Sørg for at blive fortrolig med betjeningselementerne samt korrekt brug af produktet.
- Produktet må aldrig benyttes af børn, personer med begrænsede fysiske, sensoriske eller mentale evner eller manglende erfaring og viden, eller af folk, der ikke er fortrolige med denne brugsanvisning. Lokale love kan have indflydelse på den tilladte brugerage.
- Husk det er brugeren selv der er ansvarlig for ulykker eller fare andre folk bliver udsat for.
- Tilskuere, børn og kæledyr skal have en sikkerhedsafstand på mindst 15 m til arbejdsområdet. Stop maskinen, hvis uvedkommende kommer ind i området.

FORBEREDELSE

- Nogle områder har regler, som begrænser brugen af produktet til visse formål. Forhør dig hos de lokale myndigheder.
- Under arbejdet med produktet skal man altid bære kraftigt fodtøj og lange bukser. Undlad at bruge maskinen barfodet eller med åbne sandaler. Undgå at bære løstsiddende tøj samt nedhængende snore eller bånd; disse kan hænge fast i bevægelige dele.
- Undlad at benytte løstsiddende tøj eller smykker, som kan blive trukket ind i luftindgangen.
- Langt hår skal bindes op over skulderniveau, så det ikke risikerer at vikle sig ind i bevægelige dele.
- Benyt altid fuldstændigt høreværn under brugen af produktet. Denne maskine er ekstremt støjende, og der er fare for varige høreskader, hvis der ikke træffes de foreskrevne foranstaltninger til at begrænse eksponering, reducere støjen og benytte høreværn.
- Benyt altid fuldstændigt øjenværn under brugen af dette produkt. Producenten anbefaler på det kraftigste, at man benytter fuld ansigtsmæssige og helt lukkede beskyttelsesbriller. Normale briller eller solbriller yder ikke tilstrækkelig beskyttelse. Genstande kan til enhver tid blive opslugnet med høj hastighed af den kraftige luftstråle og kan springe tilbage mod operatøren, hvis de rammer hårde overflader.
- Inden hver brug skal man kontrollere, at alle betjenings-elementer og alt sikkerhedsudstyr fungerer upåklageligt. Undlad at bruge værktøjet, hvis produktet

ikke kan standses med "SLUK"-kontakten.

- Inden hver brug skal man altid visuelt inspicere, at huset er ubeskadiget, og at afskærmninger og håndtag er korrekt placeret og sikret.
- Indleveres på et autoriseret servicecenter med henblik på erstatning af beskadigede eller ulæselige mærkater.
- Brug aldrig produktet med defekte skærme, eller skjolde, eller uden påmonteret sikkerhedsudstyr, fx påmonteret affaldsopsamler.
- Hold alle køleluftindgange fri for affaldsstykker.
- Brug river og koste til løsning af affald, inden der blæses/suges.
- Ryd arbejdsområdet inden hver ibrugtagning. Fjern alle genstande som fx sten, knust glas, søm, ledning eller snor, som kan blive blæst langt væk af den kraftige luftstrøm.

GENERELLE SIKKERHEDSADVARSLER

ADVARSEL

Alle sikkerhedsadvarsler og alle anvisninger skal læses. Manglende overholdelse af advarslerne og anvisningerne kan medføre elektrisk stød, brand og/eller alvorlige personskader.

Save all warnings and instructions for future reference.

Med udtrykket "elværktøj" i advarslerne henvises til dit lysnet-drevne (via ledning) elværktøj eller batteridrevne (ledningsfri) elværktøj.

ARBEJDSOMGIVELSER

- **Hold arbejdsområdet rent og godt oplyst.** Rodede eller mørke områder inviterer til ulykker.
- **Brug ikke elværktøjer i eksplosive omgivelser som fx i nærheden af brandbar væske, gas eller støv.** Elværktøjer udløser gnister, som kan antænde støvet eller dampene.
- **Der må ikke være børn og tilskuere i nærheden, når et elværktøj anvendes.** Distractioner kan medføre, at du mister kontrollen.

ELEKTRISK SIKKERHED

- **Elværktøjets elstik skal passe til elnetkontakten.** Elstikket må aldrig modificeres på nogen som helst måde. Undlad brug af adapterstik til jordede (stelforbundne) elværktøjer. Umodificerede elstik og passende elnetkontakter reducerer faren for elektrisk stød.
- **Undgå kropskontakt med jordede eller stelforbundne overflader som fx rør, radiatorer, komfurer og køleskabe.** Der er forøget risiko for elektrisk stød, hvis din krop er forbundet med jord eller stel.
- **Dette produkt må ikke udsættes for regn eller fugt.** Hvis der trænger vand ind i et elværktøj, øges faren for elektrisk stød.
- **Undlad at misbruge ledningen.** Ledningen må aldrig bruges til at bære eller trække i elværktøjet eller til at trække stikket ud. Ledningen må ikke komme i nærheden af varme, olie, skarpe kanter eller



bevægelige dele. Beskadigede eller sammenfiltrede ledninger øger faren for elektrisk stød.

- Når et elværktøj anvendes i det fri, skal der bruges en forlængerledning, der er egnet til udendørs brug. Brug af ledninger beregnet til udendørs brug reducerer faren for elektrisk stød.
- Hvis man er nødt til at bruge et elværktøj i fugtige omgivelser, skal strømforsyningen have en fejlstrømsafbryder (RCD-afbryder). Brug af fejlstrømssikring reducerer faren for elektrisk stød.

PERSONLIG SIKKERHED

- Når man bruger et elværktøj, skal man være agtpågivende, iagttage hvad man gør og bruge sund fornuft. Undlad at bruge et elværktøj, hvis du er træt eller påvirket af narkotika, alkohol eller medikamenter. Et øjeblikvis uopmærksomhed under brug af motoriserede værktøjer kan medføre alvorlige personskader.
- Brug personlige værnemidler. Brug altid øjenværn. Værnemidler som fx støvmaske, skridfast sikkerhedsfodtøj, hjelm eller høreværn anvendt korrekt i forhold til de givne forhold reducerer faren for personskader.
- Forebyg utilsigtet start. Kontrollér, at kontakten er i pos. OFF (=slukket), inden værktøjet slutes til strømkilde og/eller batteri, samles op eller bæres. At bære elværktøjet med fingeren på kontakten eller at slutte strøm til elværktøjet med tændt kontakt er at invitere til ulykker.
- Fjern evt. skruenøgler, inden der tændes for elværktøjet. En efterladt skruenøgle fastgjort til en roterende del af elværktøjet kan medføre personskader.
- Overstræk ikke. Sørg for altid at have godt fodfæste og god balance. Dette giver bedre kontrol over elværktøjet i uventede situationer.
- Vær ordentligt klædt på. Bær ikke løftsiddende tøj eller smykker. Sørg for, at hår, tøj og handsker ikke kommer i nærheden af bevægelige dele. Løstsiddende tøj, smykker eller langt hår kan hænge fast i bevægelige dele.
- Hvis der findes anordninger for tilslutning af støvudsugnings- og -opsamlingsudstyr, skal disse tilsluttes og anvendes korrekt. Brug af støvopsamling kan reducere støvrelaterede faremomenter.

BRUG OG PLEJE AF ELVÆRKTØJ

- Undlad at tvinge produktet. Brug elværktøjet til det tiltænkte anvendelsesformål. Det korrekte elværktøj klarer opgaven bedre og sikrer med den hastighed, det er designet til.
- Elværktøjet må ikke tages i brug, hvis TÆND/SLUK-kontakten ikke virker. Et elværktøj, der ikke kan kontrolleres med TÆND/SLUK-kontakten, er farligt og skal repareres.
- Inden udførelse af justeringer, udskiftning af tilbehør eller opbevaring af elværktøjer skal elstikket trækkes ud af elnetkontakten, og/eller batteriet skal tages ud af elværktøjet. Disse forebyggende sikkerhedsforanstaltninger reducerer faren for utilsigtet start af elværktøjet.

- Når elværktøjer ikke bruges, skal de opbevares utilgængeligt for børn; personer, som ikke er fortrolige med elværktøjet eller denne brugsanvisning, må ikke anvende elværktøjet. Elværktøjer er farlige i hænderne på ukyndige brugere.
- Elværktøjer skal vedligeholdes. Kontrollér, om der er forkeret indjusterede eller forbundne bevægelige dele, afbrækkede dele samt andre tilstande, som kan påvirke elværktøjets funktionsmåde. Hvis der konstateres skader, skal elværktøjet repareres inden brug. Mange ulykker skyldes dårligt vedligeholdte elværktøjer.
- Skærende værktøjer skal holdes skarpe og rene. Korrekt vedligeholdte skærende værktøjer med skarpe skær er mindre tilbøjelige til at binde/blokere og er lettere at kontrollere.
- Brug elværktøjet, tilbehøret og værktøjs-bits osv. som foreskrevet i denne brugsanvisning, og tag højde for arbejdsforholdene og den aktuelle arbejdsopgave. Brug af elværktøjet i strid med de tiltænkte anvendelsesformål kan medføre farlige situationer.

BRUG OG PLEJE AF BATTERIVÆRKTØJ

- Opladning må kun finde sted med den af producenten foreskrevne oplader. En oplader, der er beregnet til én type batteri, kan udgøre en brandrisiko, hvis den bruges til en anden batteritype.
- Brug kun elværktøjer sammen med specifikt godkendte batterier. Brug af andre batterityper kan medføre fare for personskade og brand.
- Når batteriet ikke bruges, må det ikke opbevares sammen med metalgenstande som fx papirclips, mønter, nøgler, søm, skruer eller andre metalgenstande, som kan skabe forbindelse mellem batteriets poler. Hvis batteriets poler kortsluttes, kan det forårsage forbrændinger eller ildebrand.
- Hvis batteriet misbruges, kan der sprøjte væske ud af det; undgå kontakt med batterivæsken. Ved kontakt med batterivæsken skylles med vand. Hvis der kommer væske i øjnene, søges desuden læge. Udsprøjtet batterivæske kan forårsage irritation eller forbrændinger.

VEDLIGEHOLDELSE

- Sørg for, at elværktøjet serviceres af en kvalificeret reparatør, som kun benytter sig af originale reservedele. Herved garanteres sikkerheden for elproduktet.

EKSTRA SIKKERHEDSADVARSLER

- Undgå utilsigtet start af enheden. Kontrollér altid, at kontakten er i pos. Off (=slukket), inden produktet slutes til strømforsyningen. Flyt ikke produktet med fingeren på startknappen, mens det er tilsluttet strøm.
- Dette produkt må ikke udsættes for regn eller fugt. Hvis der trænger vand ind i et produkt, øges faren for elektrisk stød.
- Strømmen skal tilføres via et fejlstrømsmodul (RCD) med en udløsestrøm på max 30 mA.
- Inden hver brug skal man kontrollere elkablet for evt.



beskadigelser. Hvis det opviser tegn på skader, skal det udskiftes på et autoriseret servicecenter. Elkablet skal altid rulles helt ud under brug; oprullede kabler kan blive overophedet.

- Hvis man skal bruge en forlængerledning, skal man sikre sig, at den er velegnet til udendørs brug og har en mærkekapacitet, der er tilstrækkelig til at forsyne værktøjet. Forlængerledningen skal være mærket med enten "H05 RN-F" eller "H05 VV-F". Forlængerledningen skal kontrolleres for skader inden hver brug. Forlængerledningen skal altid rulles helt ud under brug; oprullede ledninger kan blive overophedet. Beskadigede forlænger kabler må ikke repareres, men skal udskiftes med en tilsvarende type.
- Kontrollér, at strømforsyningskablet er positioneret, så ingen træder på det eller falder over det, eller at på anden måde udsættes for skade eller belastning.
- Produktet må aldrig løftes eller bæres i strømforsyningskablet.
- Træk aldrig i selve kablet, når stikket skal trækkes ud af kontakten.
- Hold strømforsyningsledningen på afstand af varme, olie og skarpe kanter.
- Før altid kablet bagud og væk fra produktet.
- Kontrollér, at spændingen passer til produktet. En navneplade på produktet indikerer enhedens spænding. Produktet må aldrig sluttes en til vekselstrømsspænding, der afviger fra denne spænding.
- Kontrollér, at kontakten er i pos. OFF (=slukket), inden stikket trækkes ud af stikkontakten, eller inden batteriet udtages.

VEKSELSTRØM

- Hvis en ledning bliver beskadiget under brug, skal man straks trække stikket ud af lysnetkontakten. **Undlad at røre ved kablet, før der er slukket for strømmen.** Undlad at bruge maskinen, ledningen er beskadiget eller slidt.
- Maskinen må kun betjenes på rimelige tidspunkter -- dvs. ikke tidligt om morgenen eller sent om aftenen, hvor man risikerer at genere andre.
- Undgå at bruge produktet i atmosfærer med eksplosionsfare.
- Undlad at bruge produktet i dårligt vejr, især hvis der er fare for lynnedslag.
- Må ikke anvendes under dårlige lysforhold. Operatøren skal have tydeligt overblik over arbejdsområdet, så han/hun kan identificere evt. faremomenter.
- Vær opmærksom på, at høreværn begrænser evnen til at høre advarsler (alarmer eller råb). Operatøren skal være ekstra opmærksom på, hvad der sker i arbejdsområdet.
- Sørg for ikke at blive distraheret, og vær altid koncentreret om dét, du gør. Gennemtænk og overvej nøje konsekvenserne af dine handlinger.
- Brug af lignende værktøjer i nærheden øger både risikoen for høreskader og for, at uvedkommende personer kommer ind i dit arbejdsområde.
- Hold et godt fodfæste og balance. Overstræk ikke. Overstrækning kan føre til tab af balancen.

- Sørg altid for at have godt fodfæste på hældninger; der må kun gås, aldrig løbes.
- Hold alle legemsdele på afstand af alle bevægelige dele. Roterende skovblade kan forårsage alvorlig personskade.
- Kør aldrig maskinen uden det korrekte udstyr monteret. Når produktet anvendes som blæser, skal man altid motere blæseslangerne.
- Undgå at ændre ved maskinen på nogen som helst måde eller at bruge dele og tilbehør, som ikke anbefales af producenten.

⚠ ADVARSEL

Hvis produktet tabes, udsættes for stød eller begynder at vibrere unormalt, skal man omgående stoppe det og inspicere det for skader eller lokalisere årsagen til vibrationen. Enhver beskadiget del skal repareres ordentligt eller udskiftes på et autoriseret servicecenter.

- For at mindske risikoen for skader i forbindelse med berøring af roterende dele skal man altid stoppe produktet, trække stikket ud af kontakten eller udtage batteriet og sørge for, at alle bevægelige dele er stoppet fuldstændigt:
 - ingen rengøring eller afhjælpning af en blokering.
 - når produktet efterlades uden opsyn
 - inden installation og fjernelse af tilbehørsdele
 - inden kontrol, vedligeholdelse eller arbejde på produktet
 - Hvis man rammer et fremmedlegeme, skal man huske at inspicere produktet for skader.
 - hvis produktet begynder at vibrere unormalt (kontrolleres omgående)

⚠ ADVARSEL

Blæseren kan være forsynet med skulderstrop. Selen skal indjusteres omhyggeligt, så den bærer produktets vægt komfortabelt.

Lokalisér hurtigudløsningsmekanismen, og øv dig i at bruge denne, inden du tager maskinen i brug. Korrekt brug af denne funktion kan forhindre alvorlige personskader i en nødsituation. Man må aldrig bære anden beklædning uden på skulderstroppen eller på anden måde begrænse adgangen til den hurtige udløsemekanisme.

SIKKERHEDSADVARSLER PÅ BLÆSER

- Under støvede forhold skal du bruge en ansigtsmaske for at nedsætte risikoen for personskade forbundet med indhalering af støv.
- Ret ikke blæserdysen mod personer eller kæledyr.
- Der må aldrig anbringes genstande i blæseslangerne.
- Maskinen må ikke betjenes i nærheden af åbne vinduer.
- Overfladerne fugtes en smule i støvede omgivelser.
- Brug den fulde blæserdyseforlængelse, så luftstrømmen kan virke tæt ved jorden.
- Blæseren må ikke anbringes oven på eller nær løst

affald. Affald kan blive suget ind i indsugningsåbningen og evt. medføre skader på produktet.

EKSTRA SIKKERHEDSADVARSLER - BATTERI

- Læs, forstå og følg altid de sikkerhedsinstrukser, der fulgte med batteri og oplader. Undladelse heraf kan resultere i elektrisk stød, brand eller andre farlige situationer. Opbevar alle brugsanvisninger samlet på et sikkert sted for fremtidig brug.
- Batteriværktøjer skal ikke nødvendigvis forbindes til en stikkontakt; de er således altid klar til brug. Hvis maskinen ikke skal bruges her og nu, skal sikkerhedsnøglen ikke isættes.
- Inden man foretager justeringer, rengøring eller fjerner materiale fra produktet, skal batteriet udtages.
- Batteriprodukter eller de tilhørende batterier må ikke anbringes nær lid eller varme. Herved reduceres faren for eksplosion og evt. personskader.
- Batteriet må ikke åbnes eller mishandles. Udløbende batterisyre er korrosiv og kan forårsage skader på øjne og hud. Den kan være toksisk ved indtagelse.
- Beskyt batteriet mod fugt og vand. Produktet må ikke oplades i fugtige eller våde omgivelser. Derved formindskes risikoen for brand, elektrisk stød og personskader.
- I tilfælde af skade og forkert brug af batteriet kan der uledes dampe. Sørg for frisk luft, og kontakt læge, hvis der konstateres gener. Dampen kan irritere åndedrætssystemet.
- Efterlad ikke batteriet i en bil om sommeren.
- Batteriet må ikke afbrændes. Når batteriets levetid er udløbet, skal det bortskaffes ifølge gældende miljøregler.
- Hvis batteriet misbruges, kan der sprøjte væske ud af det; undgå kontakt med batterivæsken. Ved kontakt med batterivæsken skylles med vand. Hvis der kommer væske i øjnene, søges desuden læge. Udsprøjet batterivæske kan forårsage irritation eller forbrændinger.

TRANSPORT OG OPBEVARING

- Stop produktet, træk stikket ud af stikkontakten, eller tag batteriet ud, og lad det køle af, inden det opbevares eller transporteres.
- Afrens alle fremmedlegemer fra produktet. Opbevar den på et køligt, tørt og godt ventileret sted utilgængeligt for børn. Opbevar motorsaven på afstand af ætsende midler som f.eks. havekemikalier og optøningssalt. Må ikke opbevares udendørs.
- Til transport skal man sikre maskinen, så den ikke kan bevæge sig eller vælte; dette for at forebygge personskader eller skader på maskinen.

VEDLIGEHOLDELSE

⚠ ADVARSEL

Brug kun originale reservedele, ekstraudstyr og tilbehør fra producenten. I modsat fald er der fare for personskader, dårlig maskinydelse og annullering af garantien.

⚠ ADVARSEL

Vedligeholdelse kræver stor omhyggelighed og viden og kun bør udføres af en kvalificeret tekniker. Vi anbefaler du leverer enheden tilbage til dit nærmeste autoriserede service center til reparation. Skal dele udskiftes må kun identiske reservedele anvendes.

- Du kan lave justeringer og reparationer beskrevet i denne brugervejledning. Til andre reparationsopgaver skal man kontakte den autoriserede servicemontør.
- Produktet skal rengøres med en blød klud efter hver brug.
- Tjek ofte alle møtrikker, bolte og skruer om de sidder godt fast, og sørg for at produktet fungerer ordentligt. Enhver del, som bliver beskadiget, skal repareres ordentligt eller udskiftes på et autoriseret servicecenter.

TILTÆNKT ANVENDELSESFORMÅL

Produktet er kun beregnet til udendørs brug.

Produktet er ikke beregnet til at blive benyttet af børn eller personer med nedsatte fysiske, mentale eller sensoriske evner.

Produktet er beregnet til at blæse lettere affald inkl. løv, græs og andet haveaffald.

UUNDGÅELIGE RISICI

Selv om maskinen anvendes som foreskrevet, er det stadig umuligt at eliminere visse uundgåelige risikofaktorer fuldstændigt. Følgende risici kan opstå under brug, og operatøren bør være særligt opmærksom for at undgå følgende:

- Personsikader forårsaget af vibration. Brug altid det rigtige værktøj i forhold til arbejdsopgaven, benyt de hertil indrettede håndtag, og sørg for at begrænse arbejds- og eksponeringstiden.
- Eksponering for støj kan medføre høreskader. Benyt høreværn, og begræns eksponering.
- Fare for personsikader som følge af flyvende genstande fra blæseslangens luftstrøm eller sugerens udblæsning, hvis posen ikke er monteret eller er beskadiget. Der skal altid benyttes passende øjenværn.

RISIKOREDUKTION

Der er rapporteret om, at vibrationer fra håndholdte værktøjer kan være medvirkende til en lidelse kaldet Raynauds syndrom hos visse personer. Symptomerne herpå kan være prikken, følelsesløshed og blegning af fingrene, der normalt viser sig ved kuldepåvirkning. Faktorer som arvelighed, udsættelse for kulde og fugt, kost, rygning og arbejdsvaner menes alle at medvirke til udviklingen af disse symptomer. Der findes forholdsregler, som operatøren kan træffe for at begrænse påvirkningen fra vibrationer:

- Hold kroppen varm i koldt vejr. Brug handsker, så hænder og vriste holdes varme under arbejdet. Der er rapporteret om, at koldt vejr er en væsentlig faktor til Raynauds syndrom.
- Motionér efter hver arbejdsperiode for at øge blodcirkulationen.

EN
FR
DE
ES
IT
NL
PT
DA
SV
FI
NO
RU
PL
CS
HU
RO
LV
LT
ET
HR
SL
SK
BG

- Hold hyppige arbejdspauser. Begræns eksponeringen for vibrationer pr. dag.

Hvis du mærker nogen af symptomerne på denne tilstand, skal du straks ophøre med arbejdet og søge læge.

⚠ ADVARSEL

Længere tids brug af et værktøj kan forårsage - eller forværre - personskader. Når man bruger et værktøj i længere perioder ad gangen, skal man huske at holde hyppige pauser.

KEND PRODUKTET

Se side 131.

1. Håndtag
2. Ledningsholder
3. Tænd/Sluk-kontakt
4. Blæseslange
5. Højhastighedsdyse
6. Batteri
7. Batterioplader
8. Elledning

SYMBOLER PÅ PRODUKTET



Alle vejledninger skal læses og forstås, inden produktet benyttes; følg alle advarsler og sikkerhedsinstrukser.



Pas på udslyngede eller flyvende objekter. Sørg for, at alle tilskuere (især børn og dyr) er mindst 15 m fra arbejdsområdet.



Bær høreværn



Benyt øjenværn



Må ikke udsættes for regn eller bruges på fugtige steder.



Slukning: Tag stikket ud af stikkontakten inden påbegyndelse af rengøring eller vedligeholdelse



Træk omgående stikket ud af lysnetkontakten, hvis kablet beskadiges eller skæres over.



Dette redskab overholder alle lovkraft og standarder i det EU-land, hvor det er købt.



EurAsian overensstemmelsesmærke.



Ukrainsk overensstemmelsesmærke



Klasse II-værktøj, dobbelt-isoleret



Elektriske affaldsprodukter bør ikke afskaffes sammen med husholdningsaffald. Genbrug venligst hvor faciliteterne tillader dette. Tjek med din lokale kommune eller forhandler for genbrugsråd.



Det garanterede lydeffektniveau er 94 dB(A).



Strømforsyning : Batteri (DC 18V)



Strømforsyning : Elektrisk (AC 230V)

IKONER I DENNE BRUGSANVISNING



Tilslut til stikkontakt



Træk stikket ud af stikkontakten



BEMÆRK:



Advarsel!

De følgende ikoner og betydninger er beregnet til at forklare risikoen involveret i at anvende denne enhed.

⚠ FARE

Indikerer en meget farlig situation, som hvis ikke undgås, kan føre til alvorlige skader og i værste fald døden.

⚠ ADVARSEL

Indikerer en potentielt farlig situation, som hvis ikke undgås, kan føre til alvorlige skader og i værste fald døden.

⚠ PAS PÅ

Indikerer en potentielt farlig situation, som hvis ikke undgås, kan føre til mindre eller moderate skader.

PAS PÅ

Uden sikkerhedsadvarselssymbol

Indikerer en situation, som kan medføre materiel skade.



⚠ VARNING

När man använder apparaten måste säkerhetsföreskrifterna följas. För egen och åskådarens säkerhet måste du läsa och vara helt införstådd med dessa instruktioner innan du använder produkten. Förvara instruktionerna på ett säkert ställe för användning vid senare tillfälle.

⚠ VARNING

Produkten är inte avsedd för användning av barn eller personer med fysiska, mentala eller emotionella funktionshinder. Barn ska alltid övervakas så att de inte leker med produkten.

UTBILDNING

- Läs igenom instruktionerna noga. Bekanta dig med reglerna och rätt användning av produkten.
- Se till att barn eller personer med nedsatt fysisk eller psykisk förmåga, eller personer som inte är erfarna eller inte bekanta med dessa instruktioner aldrig använder produkten. Lokala regler kan åldersbegränsa användningen av gräsklipparen.
- Kom ihåg att användaren är ansvarig för olyckor och faror som uppstår för andra människor och deras egendom.
- Håll åskådare, barn och husdjur på minst 15 meters avstånd. Stäng av apparaten om någon kommer in i området.

FÖRBEREDELSE

- En del regioner har regelverk som begränsar produktens användning till vissa funktioner. Ta kontakt med lokala myndigheter för information.
- Vid användning av produkten ska du alltid använda ordentliga skor och långa byxor. Använd inte maskinen barfota eller med öppna sandaler. Bär inte kläder som sitter löst eller som har hängande delar eller snören, de kan fastna i rörliga delar.
- Bär inga löst sittande kläder eller smycken som kan fastna i rörliga delar eller sugas in i luftintag.
- Fäst långt hår över axelhöjd för att undvika att det fastnar i rörliga delar.
- Använd alltid hörselskydd vid användning av produkten. Maskinen är extremt ljudlig och kan ge permanenta hörselskador om inte säkerhetsföreskrifter för att begränsa exponering, minska buller och använda skyddsutrustning följs.
- Använd alltid heltäckande skyddsglasögon vid användning av produkten. Tillverkaren rekommenderar starkt användning av ansiktsskydd eller heltäckande skyddsglasögon. Vanliga glasögon eller solglasögon skyddar inte tillräckligt. Föremål kan när som helst kastas i väg i hög hastighet av den kraftfulla luftströmmen och studsas på hårda ytor i riktning mot användaren.
- Kontrollera före användning så att reglage och säkerhetsanordningar fungerar som de ska. Använd inte verktyget om "Off"-läget inte stoppar motorn.

- Inspektera före varje användning så att höljet är oskadat och att skydd och handtag sitter ordentligt på plats.
- Lämna produkten till auktoriserat servicecenter för byte av skadade eller oläsliga etiketter.
- Använd aldrig verktyget med defekta skydd eller utan att säkerhetsanordningarna, som skräppupsamlaren, är på plats.
- Håll alla kylluftsintag fria från skräp.
- Använd räfsor och borstar för att luckra upp skräp innan du blåser.
- Rensa upp på arbetsområdet innan arbetet påbörjas. Ta bort alla föremål som stenar, glasbitar, spikar, vajerbitar eller tråd som kan fara iväg långt med luften.

ALLMÄNNA SÄKERHETSFÖRESKRIFTER

⚠ VARNING

Läs alla säkerhetsvarningar och alla instruktioner. Om du inte följer varningarna och anvisningarna kan du orsaka elektrisk stöt, brand och allvarlig skada.

Save all warnings and instructions for future reference.

Termen "kraftverktyg" i varningarna hänvisar till ditt eldrivna (med sladd) verktyg eller ditt batteridrivna (utan sladd) verktyg.

ARBETSMILJÖ

- **Håll arbetsområdet rent och välupplyst.** Oordnade och mörka områden inbjuder till olyckor.
- **Använd inte kraftverktyg i explosiva atmosfärer, exempelvis i närheten av brännbara vätskor, gaser eller damm.** Kraftverktyg ger upphov till gnistor vilka kan antända damm eller ångor.
- **Håll barn och åskådare borta när du använder ett kraftverktyg.** Distractioner kan få dig att tappa kontrollen.

ELEKTRISK SÄKERHET

- **Kraftverktygets kontakt måste matcha uttaget. Modifiera inte kontakten på något sätt. Använd inga adapterkontakter med jordade kraftverktyg.** Omodifierade kontakter och matchande uttag minskar risken för elektrisk stöt.
- **Undvik kroppskontakt med jordade ytor, som exempelvis rör, element, spis och kylskåp.** Det föreligger en förhöjd risk för elektrisk stöt om din kropp är jordad.
- **Exponera inte produkten för regn eller våta förhållanden.** Vatten som tränger in i ett kraftverktyg ökar risken för elektrisk stöt.
- **Misshandla inte sladden. Använd aldrig sladden för att bära, dra eller koppla bort kraftverktyget. Håll sladden borta från värme, olja, vassa kanter och rörliga delar.** Skadade eller intrasslade elsladdar ökar risken för elektrisk stöt.
- **Använd en förlängningssladd avsedd för utomhusbruk när du använder kraftverktyget utomhus.** Användning av en sladd lämplig för utomhusbruk minskar risken för elektrisk stöt.

EN
FR
DE
ES
IT
NL
PT
DA
SV
FI
NO
RU
PL
CS
HU
RO
LV
LT
ET
HR
SL
SK
BG





- Använd en jordfelsbrytare om det är oundvikligt att använda ett kraftverktyg i en fuktig miljö. Användningen av en jordfelsbrytare minskar risken för elektrisk stöt.

PERSONLIG SÄKERHET

- Var uppmärksam på vad du gör och använd sunt förnuft när du använder ett kraftverktyg. Använd inte ett kraftverktyg när du är trött eller påverkad av droger, alkohol eller mediciner. Ett ögonblicks uppmärksamhet när du använder kraftverktyg kan orsaka allvarig personskada.
- Använd skyddsutrustning. Bär alltid ögonskydd. Skyddsutrustning, som exempelvis andningskydd, halkskyddade säkerhetsskor, huvudskydd och hörselskydd minskar i tillämpliga fall risken för personskador.
- Förhindra oavsiktlig start. Säkerställ att strömbrytaren är i av-läge innan du ansluter till uttaget och/eller batteripaketet, innan du lyfter upp verktyget och innan du bär det. Att bära kraftverktyg med fingret på avtryckaren eller kraftverktyg som är igång bjuder in olyckor.
- Ta bort eventuella justerings- eller skiftnycklar innan du startar kraftverktyget. En skiftnyckel eller justeringsnyckel som lämnas kvar i en roterande del av kraftverktyget kan orsaka personskada.
- Sträck dig inte. Ha alltid ett bra fotfäste och en god balans. Det ger dig bättre kontroll över kraftverktyget i oväntade situationer.
- Klä dig korrekt. Använd inte löst åtsittande kläder eller smycken. Håll ditt hår, dina kläder och handskar borta från rörliga delar. Lössittande kläder, smycken och långt hår kan fastna i rörliga delar.
- Om några uppsamlingsenheter för damm och avfall medföljer ska dessa vara anslutna och användas på ett korrekt sätt. Användningen av en dammuppsamlare kan minska dammrelaterade faror.

ANVÄND OCH TA HAND OM KRAFTVERKTYGET

- Tvinga inte produkten. Använd rätt kraftverktyg för ditt jobb. Rätt kraftverktyg gör jobbet bättre och säkrare om det används i den takt som det är designat för.
- Använd inte kraftverktyget om strömbrytaren inte fungerar för att stänga av och sätta på verktyget. Alla kraftverktyg som inte kan kontrolleras med strömbrytaren är farliga och måste repareras.
- Koppla från eluttaget och/eller batteripaketet från elverktyget före justeringar, byte av tillbehör eller förvaring. Sådana förebyggande åtgärder minskar risken för att kraftverktyget startar oavsiktligt.
- Förvara avstängda kraftverktyg utom räckhåll för barn och låt inte personer som är obekanta med kraftverktyg, eller dessa instruktioner, använda kraftverktyget. Kraftverktyg är farliga i händerna på otränade användare.
- Underhåll dina kraftverktyg. Kontrollera så att inga rörliga delar är felinriktade eller sitter fast, att inga delar har gått sönder samt att ingenting annat föreligger som kan påverka kraftverktygets

användning. Reparera kraftverktyget innan användning om det är skadat. Många olyckor uppstår på grund av dåligt underhållna kraftverktyg.

- Håll skärverktyg vassa och rena. Korrekt underhållna skärverktyg med vassa skärkanter fastnar inte lika lätt och är lättare att kontrollera.
- Använd kraftverktyget, tillbehören och borrspetsar etc. i enlighet med dessa anvisningar och ta hänsyn till arbetsförhållanden och det jobb som ska utföras. Användning av kraftverktyget till andra saker än det är avsett för kan resultera i en farlig situation.

ANVÄNDNING OCH UNDERHÅLL AV BATTERIET

- Använd endast den batteriladdare som tillverkaren rekommenderar. En batteriladdare som passar en typ av batteripack kan vara en brandfara om den används med en annan typ av batteripack.
- Använd eldrivna verktyg med batteripaket som är speciellt utformade för användning tillsammans med produkterna. Om du använder andra batteripaket ökar du risken för skador och brand.
- När batteripaketet inte används ska det hållas bort från metallföremål som gem, mynt, nycklar, spikar, skruvar och andra små metallföremål som kan kortsluta batteriets kontakter. Vid kortslutning av batteriets kontakter finns det risk för brännskador eller brand.
- Vätska kan läcka ut från batteripaketet vid felaktig användning; undvik kontakt med vätskan. Spola med vatten om du kommer i kontakt med den. Uppsök omedelbart läkarhjälp om du får vätska i ögonen. Den kan orsaka irritation och brännskador.

UNDERHÅLL

- Låt en kvalificerad serviceperson serva ditt kraftverktyg med identiska utbytesdelar. Detta säkerställer att kraftverktygets säkerhet bibehålls.

YTTERLIGARE SÄKERHETSFORESKRIFTER

- Undvik oavsiktlig start. Kontrollera att reglaget är i Off-läget innan produkten kopplas till strömförsörjning. Bär inte en inkopplad produkt med dina fingrar på strömbrytaren.
- Exponera inte produkten för regn eller våta förhållanden. Om vatten kommer in i maskinen ökar risken för elektrisk stöt.
- EI bör komma ifrån en apparat med residual krets (RCD) med en utlösande strömstyrka ej överstigande 30 mA.
- Kontrollera alltid elkabeln före användning. Om det finns tecken på skada ska den bytas ut på godkänt servicecenter. Rulla ut kabeln före användning, hoprullad kabel kan överhettas.
- Om du måste använda förlängningskabel ska du kontrollera att den är för utomhusbruk och har kapacitet för att fungera med verktyget. Förlängningskabeln ska vara märkt med antingen "H05 RN-F" eller "H05 VV-F". Kontrollera förlängningskabeln så det inte finns några skador inför varje användning. Rulla ut förlängningskabeln under användning eftersom hoprullad kabel kan överhettas. Skadade



förlängningskablar får inte repareras, de ska ersättas med motsvarande typ.

- Se till att el-kabeln ligger så att man inte trampar eller snubblar på den, eller så att den på annat sätt kan skadas eller förslitas.
- Lyft aldrig upp- eller bär produkten i el-kabeln.
- Dra aldrig ur kontakten ur väggen genom att dra i sladden.
- Håll el-kabeln borta från värme, olja och skarpa kanter.
- Håll alltid undan kabeln från bakre delen av produkten.
- Kontrollera att volttalet är korrekt för produkten. På en skylt på produkten anges strömstyrkan (Volt). Koppla aldrig produkten till en växelströmsstyrka som skiljer från denna.
- Se till att brytaren är i läget AV före bortkoppling från eluttaget eller ta ur batteriet.

ANVÄNDNING

- Om kabeln skadas under användning ska den kopplas från eluttaget omedelbart. **Rör inte vid kabeln innan strömförsörjningen är fränkopplad.** Använd inte maskinen om kabeln är skadad eller sliten.
- Använd enbart maskinen under lämpliga tider – inte tidigt på morgonen eller sent på kvällen när det kan störa omgivningen.
- Använd aldrig produkten i lättantändlig atmosfär.
- Använd inte produkten i dåligt väder, speciellt inte om det finns risk för åskväder.
- Använd endast i god belysning. Operatören måste ha god överblick över arbetsområdet för att upptäcka potentiella faror.
- När du använder hörselskydd minskar din förmåga att uppfatta varningar (skrik och alarm). Du måste vara extra uppmärksam på vad som sker i arbetsområdet.
- Låt dig inte distraheras och var alltid fokuserad på det du gör. Tänk på och överväg noga konsekvensen av dina handlingar.
- Användning av liknande maskiner i närheten ökar risken för både hörselskador och för andra personer i närheten av arbetsområdet.
- Bibehåll ett bra fotfäste och bra balans. Sträck dig inte. Att sträcka sig kan resultera i balansförlust.
- Var alltid noga med fotfästet i backar och stigar, spring inte.
- Håll alla kroppsdelar borta från rörliga delar. De roterande bladen kan orsaka allvarliga skador.
- Kör aldrig maskinen utan att ha den korrekta utrustningen monterad. När den används som blåsare ska blåsrören installeras.
- Modifiera inte maskinen på något sätt och använd inte delar eller tillbehör som inte rekommenderats av tillverkaren.

⚠ VARNING

Om produkten tappas, utsätts för hårda slag eller börjar vibrera onormalt mycket ska produkten omedelbart stoppas och kontrolleras för eventuella skador eller orsak till vibrationerna. Eventuella skador ska repareras ordentligt eller bytas ut av ett auktoriserat servicecenter.

- För att minska skaderisken med roterande delar ska motorn alltid stoppas, koppla från eluttaget eller ta ur batteriet och se till att alla rörliga delar har stannat helt före:
 - före rengöring eller rensning av ett stopp
 - när produkten lämnas utan övervakning
 - före installation och borttagning av tillbehör
 - före kontroll av, rengöring av eller arbete med produkten
 - efter att ha träffat något föremål för att kontrollera om produkten skadats
 - när maskinen börjar vibrera onormalt (kontrollera omedelbart)

⚠ VARNING

Din blåsare kan utrustas med sele. Justera försiktigt selen så att den hjälper till att bära produktens tyngd. Ta reda på snabbkopplingsmekanismen och testa den innan du börjar använda maskinen. Korrekt användning av den kan förhindra allvarliga skador i nödfall. Bär aldrig extrakläder över selen eller på annat sätt förhindra åtkomsten till snabbutlösningen.

SÄKERHETSFORESKRIFTER FÖR BLÅSARE

- Använd en ansiktsmask om förhållandena är dammiga. Det minskar risken för skador på grund av damminandning.
- Rikta inte utblåsmunstycket mot andra människor eller djur.
- Placera aldrig föremål i blåsrören.
- Använd inte apparaten i närheten av öppna fönster.
- Om det är dammigt ska du fukta ytorna innan arbetet.
- Använd blåsarmunstyckets förlängning så att luftströmmen kan verka nära marken.
- Placera inte blåsaren ovanpå eller nära löst skräp. Skräp kan sugas in i luftintaget och eventuellt skada enheten.

YTERLIGARE SÄKERHETSFORESKRIFTER - BATTERI

- Se till att läsa, vara införstådd med och alltid följa säkerhetsinstruktionerna som medföljde batteri och laddare. Om inte så kan det leda till elektrisk stöt, eldsvåda eller annan farofylld situation. Se till att samtliga instruktioner förvaras tillsammans för framtida referens.
- Batteriverktyg behöver inte vara inkopplade till ett eluttag för att fungera och de är därför alltid redo att användas. Sätt inte i tändningsnyckeln om maskinen

inte ska användas omedelbart.

- Plocka bort batteripaketet innan du gör några justeringar, rengör eller tar bort material från enheten.
- Placera inte batteriprodukter eller deras batterier i närheten av eld eller värme. Detta minskar risken för explosion och skada.
- Försök inte öppna batteripaketet och utsätt det inte för våld. Elektrolyt som läcker ut är korrosivt och kan orsaka ögon- och hudskador. Det kan vara giftigt om det sväljs.
- Skydda batteripaketet mot fukt och vatten. Ladda inte enheten på fuktiga eller våta platser. Du minskar därmed riskerna för brand, elstöt eller allvarliga kroppsskador.
- Om batteriet är skadat eller används på fel sätt kan ånga komma ut från batteriet. Om besvär uppstår, se till att personen ifråga får frisk luft och uppsök sedan en läkare. Ångorna kan irritera andningssystemet.
- Lämna inte batteripaketet i bilen under sommaren.
- Bränn inte batteriet. När batteriets livslängd är slut ska det avyttras på korrekt sätt enligt lokala föreskrifter för ditt område.
- Vätska kan läcka ut från batteripaketet vid felaktig användning; undvik kontakt med vätskan. Spola med vatten om du kommer i kontakt med den. Uppsök omedelbart läkarhjälp om du får vätska i ögonen. Den kan orsaka irritation och brännskador.

TRANSPORT OCH FÖRVARING

- Stoppa produkten, koppla från eluttag eller ta ur batteriet och låt den svalna före transport eller förvaring.
- Ta bort allt främmande material från produkten. Förvara den svalt och välventilerat på en plats där barn inte kan komma åt den. Förvara på avstånd från frätande medel, t.ex. trädgårdskemikalier och vägsalt. Förvara den inte utomhus.
- Vid transport ska maskinen säkras mot rörelser eller fallande för att förhindra personskador eller att maskinen skadas.

UNDERHÅLL

⚠ VARNING

Använd enbart ersättningsdelar och tillbehör från tillverkaren. Om inte kan det eventuellt orsaka skador, sämre resultat och kan upphäva garantin.

⚠ VARNING

Att serva produkten kräver extrem försiktighet och kunskap och bör endast utföras av en kvalificerad servicetekniker. Vi rekommenderar att du returnerar produkten till ditt närmsta auktoriserade servicecenter för reparation. Använd endast identiska utbytesdelar när produkten servas.

- Du kan göra de justeringar och reparationer som beskrivs i den här manualen. För alla andra reparationer

ska godkänt servicecenter kontaktas.

- Efter rengöring ska maskinen alltid rengöras med en mjuk torr trasa.
- För att vara säker på att produkten är säker att använda, kontrollera alla muttrar, bultar och skruvar regelbundet för att säkerställa att de är åtdragna ordentligt. Skadade delar skall repareras ordentligt eller bytas ut av en auktoriserad servicefirma.

ANVÄNDNINGSMOMÅDE

Produkten är enbart avsedd för utomhusbruk.

Produkten är inte avsedd för användning av barn eller personer med fysiska, mentala eller emotionella funktionshinder.

Produkten är avsedd för att blåsa lätt skräp som gräs, löv och annat trädgårdsskräp.

KVARSTÄENDE RISKER

Även om maskinen används enligt föreskrifterna, är det ändå omöjligt att helt eliminera kvarvarande mindre riskfaktorer. Följande risker kan uppkomma under bruk och användaren ska vara extra uppmärksam för att undvika följande:

- Skada orsakad av vibration. Använd alltid rätt verktyg för arbetet, håll ordentligt i handtagen och begränsa arbetstid och exponering.
- Exponering för buller kan orsaka hörselskador. Använd hörselskydd och begränsa exponeringen.
- Skador av flygande föremål kan uppkomma från luftströmmen eller vakuumsugsläppet om inte påsen är ordentligt monterad eller om den är skadad. Använd alltid lämpligt ögonskydd.

RISKMINSKNING

Det finns rapporter om att vibrationer från handhållna verktyg kan bidra till ett tillstånd som kallas Raynauds syndrom för vissa personer. Symptomen brukar vara att det sticker i fingrarna och att de domnar bort; fingrarna kan också bli vita, särskilt vid kyla. Årftliga faktorer, kyla och fukt, diet, rökning och arbetsrutiner tros alla bidra till att orsaka dessa symptom. Det finns förebyggande åtgärder som du kan vidta för att försöka minska vibrationernas påverkan:

- Håll dig varm när du arbetar i kallt väder. Använd handskar för att hålla kvar värmen i händer och handleder. Kyla har rapporterats som en viktig del i utvecklandet av Raynauds syndrom.
- Träna och rör på dig efter varje användningstillfälle för att öka blodcirkulationen.
- Ta ofta pauser från arbetet. Begränsa tiden du utsätter dig varje dag.

Upphör omedelbart om du upplever några av dessa symptom och uppsök din läkare.

⚠ VARNING

Risk för person- eller slitageskador vid användning av verktyget under lång tid. Om verktyget används under längre perioder krävs regelbundna pauser.

LÄR KÄNNA PRODUKTEN

Se sida 131.

1. Handtag
2. Kabelvinda
3. Av/på-knapp
4. Blåsrör
5. Höghastighetsmunstycke
6. Batteri
7. Batteriladdare
8. Strömsladd

SYMBOLER PÅ PRODUKTEN



Läs igenom och var införstådd med alla instruktioner före användning av produkten, var uppmärksam på alla varningar och säkerhetsinstruktioner.



Se upp med kringkastade eller flygande föremål. Håll alla personer i närheten (speciellt barn och djur) minst 15 m bort från arbetsområdet.



Använd hörselskydd



Bär ögonskydd



Utsätt inte för regn eller våta omgivning.



Stäng av: ta bort kontakten från eluttag före rengöring och underhåll



Koppla bort kontakten från elnätet direkt före underhåll eller om kabeln skulle vara skadad eller avklippt.



Detta verktyg uppfyller alla standarder i de EU-länder där det kan köpas.



EurAsian överensstämmelsesymbol.



Ukrainskt märke för överensstämmelse



Klass II-verktyg, dubbelt isolerat



Gamla elektroniska produkter ska inte kastas med hushållssoporna. Återvinn där sådana faciliteter finns. Kontrollera med din lokala myndighet eller säljaren för att få återvinningstips.



Garanterad ljudnivå är 94 dB.



Elförsörjning : Batteri (Likström 18V)



Elförsörjning : Elektrisk (Växelström 230V)

BILDER I DENNA BRUKSANVISNING



Koppla den till ett väggurtag



Urkoppling från väggurtag



ANMÄRKNING:



Varning!

Följande signalord och betydelser är tänkta att förklara de olika risknivåerna som är associerade med denna produkt.

⚠ FARA

Indikerar en överhängande farlig situation som kan, om den inte undviks, resultera i dödsfall eller allvarlig skada.

⚠ VARNING

Indikerar en potentiellt farlig situation som kan, om den inte undviks, resultera i dödsfall eller allvarlig skada.

⚠ PÅMINNELSE

Indikerar en potentiellt farlig situation som kan, om den inte undviks, resultera i mindre eller medelstora skador.

PÅMINNELSE

Utan säkerhetssymbol

Visar på en situation som kan orsaka skada på egendom.

VAROITUS

Noudata turvallisuussääntöjä tuotetta käyttäessäsi. Sinun tulee oman ja sivullisten turvallisuuden vuoksi lukea ja ymmärtää nämä ohjeet täysin ennen tuotteen käyttöä. Säilytä ohjeet tulevaa käyttöä varten.

VAROITUS

Tuotetta ei ole tarkoitettu lasten eikä sellaisten ihmisten käytettäväksi, joiden ruumiin, aistien tai mielen suorituskyky on heikentynyt. Lapsia on pidettävä asianmukaisesti silmällä, jotta he eivät pääse leikkimään tuotteella.

KOULUTUS

- Lue ohjeet huolella. Tutustu ohjaimiin ja tuotteen asianmukaiseen käyttöön.
- Älä koskaan salli lasten tai ihmisten, joiden fyysiset tai henkiset kyvyt tai aistit ovat heikentyneet tai joilta puuttuu kokemusta tai tietämystä, tai näitä ohjeita tuntemattomien käyttää tuotetta. Paikalliset säädökset saattavat asettaa rajoituksia käyttäjän iälle.
- Muista, että ruohonleikkurin käyttö on vastuunalainen vahingoista ja vaaroista, jotka hän aiheuttaa muille ihmisille ja heidän omaisuuksilleen.
- Pidä sivulliset, lapset ja lemmikit 15 metrin etäisyydellä työalueesta. Sammuta laite, jos alueelle tulee ketään.

VALMISTELUT

- Joillain alueilla vallitsee säädöksiä, jotka rajoittavat tämän tuotteen käyttöä joissain toiminnoissa. Pyydä paikallisilta viranomaisilta neuvoa.
- Käytä aina tuotetta käyttäessäsi asianmukaisia jalkineita ja pitkiä housuja. Älä käytä laitetta paljasjaloin tai avosandaaleissa. Älä käytä löysiä vaatteita tai vaatteita, joista riippuu nuoria tai siteitä; ne voivat tarttua liikkuviin osiin.
- Älä käytä löysiä vaatteita tai koruja, jotka saattaisivat imeytyä ilmanottoon.
- Sido pitkät hiukset hartioiden yläpuolelle, jotta ne eivät pääse tarttumaan liikkuviin osiin.
- Käytä aina kuulonsuojaimia tuotetta käyttäessäsi. Tämä laite on erittäin äänekäs ja saattaa vahingoittaa kuuloa pysyvästi, jos ei noudateta varoituksia altistumisen rajoittamiseksi ja melutason alentamiseksi ja jos ei käytetä kuulonsuojaimia.
- Käytä aina täysiä suojalaseja tuotetta käyttäessäsi. Valmistaja suosittelee painokkaasti täyttä kasvusojusta tai täysin suljettuja suojalaseja. Tavalliset silmälasit tai aurinkolasit eivät tarjoa riittävää suojaa. Tehokas ilmavirta voi singota kappaleita milloin vain, ja ne voivat kimmota kovista pinoista käyttäjää kohden.
- Varmista aina ennen käyttöä, että kaikki hallinta- ja turvallisuuslaitteet toimivat asianmukaisesti. Älä käytä laitetta, jos Off-kytkin ei sammuta tuotetta.
- Tarkista aina ennen jokaista käyttökertaa silmämääräisesti, että kotelo on kunnossa ja että suojat ja kahvat ovat tiukasti paikoillaan.

- Palauta valtuutettuun huoltoon vaurioituneiden ja lukukelvottomien kynttien vaihtamiseksi.
- Älä koskaan käytä tuotetta, jos suojat tai suojukset ovat epäkunnossa tai ilman suojalaitteita, kuten roskien kerääjää.
- Pidä kaikki jäähdytysilman ottoaukot puhtaina.
- Irrota roskat ennen puhaltamista/imuroimista maasta haravalla tai harjalla.
- Siivoa työalue ennen jokaista käyttöä. Poista kaikki sellaiset esineet kuten kivet, lasinpalat, naulat, johdot ja langat, jotka voimakas puhallus voi singota pitkiä matkoja.

YLEISET TURVALLISUUSVAROITUKSET

VAROITUS

Lue kaikki turvallisuusvaroitukset ja ohjeet. Varoitusten ja ohjeiden laiminlyönnistä voi seurata sähköisku, tulipalo ja/tai vakava loukkaantuminen.

Save all warnings and instructions for future reference.

Sana "sähkötyökalu" viittaa varoituksissa verkkovirta- (langalliseen) tai akkukäyttöiseen (langattomaan) sähkötyökaluun.

TYÖYMPÄRISTÖ

- **Pidä työalue siistinä ja valoisaan.** Epäjärjestyksessä olevat ja pimeät alueet myötävaikuttavat onnettomuuksiin.
- **Älä käytä sähkötyökalua räjähdysalttiissa paikoissa, kuten helposti syttyvien nesteiden tai kaasujen tai pölyn läheisyydessä.** Sähkötyökalut kipinöivät, mikä saattaa sytyttää pölyn tai höyryt.
- **Pidä lapset ja sivulliset loitolla, kun käytät sähkötyökaluja.** Häiriöt voivat saada koneen riistäytymään hallinnasta.

SÄHKÖTURVALLISUUS

- **Pistokkeen on sovittava pistorasiaan. Älä koskaan muunna pistoketta millään tavalla. Älä käytä maadoitettujen sähkötyökalujen kanssa minkäänlaisia sovitinpistokkeita.** Alkuperäiset pistokkeet ja niitä vastaavat pistorasiat pienentävät sähköiskun vaaraa.
- **Älä kosketa maadoitettuihin pintoihin, kuten putkiin, lämpöpattereihin, heloihin tai jääkaappeihin.** Jos ruumiisi on maadoitettu, sähköiskun vaara on suurempi.
- **Älä altista tätä tuotetta sateelle tai märille olosuhteille.** Sähkötyökaluun joutunut vesi kasvattaa sähköiskun vaaraa.
- **Pidä huolta sähköjohdosta. Älä koskaan kannata tai vedä sähkötyökalua johdosta tai irrota pistoketta johdosta vetämällä. Pidä johto etäällä kuumista paikoista, öljystä, terävistä kulumista ja liikkuvista osista.** Vioittunut tai takkuinen johto lisää sähköiskun vaaraa.
- **Kun käytät sähkötyökalua ulkotiloissa, käytä ulkokäyttöön sopivaa jatkojohtoa.** Ulkokäyttöön sopivan johdon käyttö pienentää sähköiskun vaaraa.



- Jos sähkötyökälu on pakko käyttää kosteissa tiloissa, käytä jäännösvirtalaitteella (RCD) suojattua pistorasiaa. RCD:n käyttö pienentää sähköiskun vaaraa.

KÄYTTÄJÄN TURVALLISUUS

- Ole valpas, katso mitä teet ja käytä maalaisjärkeä, kun käytät sähkötyökäluä. Älä käytä sähkötyökäluä väsyneenä tai huumeiden, alkoholin tai lääkkeiden vaikutuksen alaisena. Tarkkaamattomuus sähkötyökäluä käytettäessä saattaa johtaa vakavaan loukkaantumiseen.
- Käytä henkilökohtaisia suojavarusteita. Käytä aina suojalaseja. Suojalaitteet, kuten pölynaamari, luistamattomat suojakengät, kypärä ja kuulosuojaimet vähentävät loukkaantumisen vaaraa.
- Älä anna koneen käynnistyä vahingossa. Varmista, että katkaisin on poissa päältä, ennen kuin kytket koneen virtalähteeseen ja/tai akkuun ja ennen kuin nostat tai kannat konetta. Sähkötyökäluen kantaminen sormi katkaisimella ja virran ytkeminen koneeseen, joka on päällä, saattaa johtaa onnettomuuksiin.
- Irrota säätöavaimet ja jakoavaimet ennen sähkötyökäluen käynnistystä. Sähkötyökäluen pyöryvään osaan jätetty jako- tai säätöavain saattaa johtaa loukkaantumiseen.
- Älä kurkota liian pitkälle. Pysytkte tukevasti jaloillasi äläkä kurkota käsivartta liian kauas. Tällöin sähkötyökäluä on helpompi hallita odottamattomissa tilanteissa.
- Älä pukeudu väliin vaatteisiin, kravattiin tai koruihin, jotka voivat juuttua liikkuviin osiin. Älä käytä välijä vaatteita tai koruja. Pidä hiukset, vaatteet ja käsineet etäällä liikkuvista osista. Löysät vaatteet, korut ja pitkät hiukset saattavat tarttua liikkuviin osiin.
- Jos laitetta varten on pölynpoisto- ja keräyslaite, kytke se asianmukaisesti ja käytä sitä oikein. Pölyn kerääminen voi vähentää pölyyn liittyviä vaaroja.

SÄHKÖTYÖKÄLUEN KÄYTTÖ JA HUOLTO

- Älä pakota tuotetta. Käytä työhön sopivaa sähkötyökäluä. Asianmukainen sähkötyökälu hoitaa työt paremmin ja turvallisemmin sillä vauhdilla, jota varten se on suunniteltu.
- Älä käytä sähkötyökäluä, jos se ei käynnisty ja sammu katkaisimesta. Jos sähkötyökäluä ei voida hallita katkaisimella, se on vaarallinen ja vaatii korjaamista.
- Irrota pistoke virranlähteestä ja/tai akku työkoneesta, ennen kuin teet säätöjä, vaihdat varusteita tai varastoit konetta. Tällaiset varoitimet pienentävät sitä vaaraa, että kone käynnistyisi vahingossa.
- Varastoi sähkötyökälu pois lasten ulottuvilta äläkä anna kenenkään, joka ei tunne työkoneita tai näitä ohjeita, käyttää sitä. Sähkötyökäluet ovat vaarallisia kouluattamattomien käyttäjien käsissä.
- Huolla sähkötyökälu. Tarkista, että liikkuvat osat on kohdistettu oikein ja että ne liikkuvat kunnolla, että osia ei ole rikkoutunut ja että mikään muu seikka ei

haittaa sähkötyökäluen toimintaa. Jos sähkötyökäluä vioittuu, korjaa se ennen käyttöä. Onnettomuudet johtuvat usein sähkötyökälujen huonosta huollosta.

- Pidä leikkuutyökälu terävinä ja puhtaina. Asianmukaisesti huolletut leikkuutyökäluet, joiden leikkuupinnat ovat teräviä, eivät jumiuudu helposti ja niitä on helppo hallita.
- Käytä työkoneita, lisävarusteita, teriä jne. näiden ohjeiden mukaisesti, ja huomioi työolosuhteet ja tehtävän työn laatu. Työkoneen käyttö muuhun kuin sille tarkoitettuun työhön voi aiheuttaa vaarallisia tilanteita.

AKKUKÄYTTÖISEN TYÖKÄLUEN KÄYTTÖ JA HOITO

- Käytä lataukseen ainoastaan valmistajan suosittelemaa laturia. Yhden tyyppiselle akulle sopivan laturin käyttö toisenlaisen akun kanssa voi olla vaarallista.
- Käytä sähkötyökäluä ainoastaan sitä varten suunniteltujen akkujen kanssa. Muiden akkujen käyttö voi johtaa loukkaantumiseen ja tulipaloon.
- Kun akkuä ei käytetä, pidä se erillään metalliesineistä, kuten paperiliittimistä, kolikoista, avaimista, nautoista, ruuveista ja muista pienistä metalliesineistä, jotka voivat yhdistää akun navat. Akun napojen oikosulkeminen voi aiheuttaa palovammoja ja tulipalon.
- Jos akkuä käsitellään väärin, siitä voi vuotaa nestettä; älä kosketa sitä. Jos kosketat sitä vahingossa, huuhtelee se vedellä. Jos nestettä pääsee silmiin, hakeudu lisäksi lääkärin hoitoon. Akusta vuotanut neste voi ärsyttää ihoa ja aiheuttaa palovammoja.

HUOLTO

- Huollata työkone pätevällä huoltomiehellä, joka käyttää ainoastaan asianmukaisia varaosia. Tämä varmistaa, että sähkötyökälu on turvallinen.

MUITA TURVALLISUUSVAROITUKSIA

- Varo tahatonta käynnistystä. Tarkista aina, että kytkin on OFF-asennossa, ennen kuin kytket tuotteen virtalähteeseen. Älä kannata tuotetta, joka on kytkettyyn virtaan, jos sormi on kytkimellä.
- Älä altista tätä tuotetta sateelle tai märille olosuhteille. Veden pääsy laitteeseen lisää sähköiskun vaaraa.
- Virtalähteessä tulee olla jäännösvirtalaitte (RCD), jonka trippausvirta on enintään 30 mA.
- Tarkista virtajohto aina ennen käyttöä. Jos löytyy mitään merkkejä vaurioitumisesta, se on vaihdattava valtuutetussa huollossa. Avaa aina johto kääröltä ennen käyttöä; käärityt johdot voivat ylikuumentua.
- Jos sinun on käytettävä jatkojohtoa, varmista että se soveltuu ulkokäyttöön ja että sen luokitus riittää laitteelle. Jatkojohdossa tulisi olla merkintä "H05 RN-F" tai "H05 VV-F". Tarkista jatkojohto vaurioiden varalta ennen jokaista käyttökertaa. Avaa jatkojohto aina kääröltä käytön ajaksi, koska käärityt johdot voivat ylikuumentua. Vaurioituneita jatkojohtoja ei saa korjata vaan ne tulee vaihtaa vastaavan tyyppiisiin.
- Varmista, että virtajohto sijaitsee siten, että sen päälle

EN
FR
DE
ES
IT
NL
PT
DA
SV
FI
NO
PL
RU
CS
HU
RO
LV
LT
ET
HR
SL
SK
BG



ei astuta eikä siihen kompastuta eikä se muuten vioitu tai rasitu.

- Älä koskaan nosta tai kannata tuotetta sähköjohdosta.
- Älä koskaan irrota laitetta pistorasiasta vetämällä virtajohdosta.
- Älä päästä virtajohtoa koskettamaan kuumuuden lähteitä, öljyä tai teräviä reunoja.
- Pidä johtoa aina laitteen takana, poissa tuotteen tieltä.
- Tarkista, että jännite on tuotteelle oikea. Laitteen jännite ilmoitetaan sen nimikyltissä. Älä koskaan kytke tuotetta tästä jännitteestä poikkeavaan vaihtovirtaan.
- Tarkista ennen virtalähteestä tai akun irrottamista, että kytkin on Off-asennossa.

KÄYTTÖ

- Jos johto vioittuu käytön aikana, irrota se heti pistorasiasta. **Älä kosketa johtoa, ennen kuin olet irrottanut sen pistorasiasta.** Älä käytä laitetta, jos johto on vioittunut tai kulunut.
- Käytä laitetta ainoastaan säädylliseen aikaan – ei aikaisin aamulla tai myöhään yöllä, jolloin se voi häiritä muita.
- Älä koskaan käytä tuotetta räjähdysalttiissa ympäristössä.
- Älä käytä tuotetta huonolla säällä, erityisesti kun on salamien vaara.
- Älä käytä tätä työkalua huonosti valaistussa paikassa. Käyttäjällä on oltava esteetön näkyvyys työalueelle, jotta hän näkee mahdolliset vaaratekijät.
- Kuulosuojaimet vaikeuttavat varoitusten kuulemistä (hälytyksiä ja huutoja). Käyttäjän on kiinnitettävä enemmän huomiota siihen, mitä työalueella tapahtuu.
- Älä anna minkään häiritä sinua. Keskity aina työhösi. Ajattele ja harkitse toimiesi vaikutuksia huolella.
- Samankaltaisten laitteiden käyttö lähetyvillä kasvattaa kuulovaurion riskiä sekä vaaraa, että joku muu tulee työalueellesi.
- Pidä vakaa tasapaino. Älä kurkota liian pitkälle. Liian pitkälle kurkotta minen saattaa johtaa tasapainon menettämiseen.
- Seiso aina hyvässä tasapainossa rinteissä ja kävele, älä juokse.
- Pidä kaikki ruumiinosat kaukana liikkuvista osista. Pyörivät siipipyörän siivet voivat aiheuttaa vakavia vammoja.
- Älä koskaan käytä laitetta ilman asianmukaisia varusteita. Kun käytät laitetta puhaltimena, asenna siihen aina puhaltimen putket.
- Älä muunna laitetta millään tavoin tai käytä osia tai lisävarusteita, jotka eivät ole valmistajan suosittelemia.

VAROITUS

Jos tuote putoaa, saa kovan iskun tai alkaa täristä normaalia enemmän, sammuta se heti ja tarkista se vaurioiden varalta tai paikanna tärinän syy. Valtuutetun huoltopisteen on korjattava tai vaihdettava vioittuneet osat asianmukaisesti.

- Jotta pyörivien osien koskettamisesta aiheutuvan loukkaantumisen vaara olisi pienempi, pysäytä laite, irrota se pistorasiasta tai irrota akku ja varmista, että kaikki liikkuvat osat ovat pysähtyneet, ennen kuin teet seuraavia:
 - ennen tukoksen poistamista.
 - kun jätät tuotteen valvomatta
 - ennen kuin asennat tai irrotat lisävarusteita
 - ennen tuotteen tarkastusta, ylläpitoa ja huoltoa
 - törmäytyäsi vieraskappaleeseen tarkistamaan tuote vaurioiden varalta
 - Jos tuote alkaa täristä epänormaalisti (tarkista välittömästi)

VAROITUS

Puhallin saattaa olla varustettu valjaililla. Säädä valjaat huolella siten, että ne auttavat mukavasti tukemaan tuotteen painon.

Paikanna pikavapautusmekanismi ja harjoittele sen käyttöä ennen kuin alat käyttää laitetta. Sen asianmukainen käyttö voi hätätilanteessa estää vakavan loukkaantumisen. Älä koskaan käytä vaatteita valjaiden päällä tai muutoin estä pikavapautusmekanismin käyttöä.

PUHALTIMEN TURVALLISUUSVAROITUKSET

- Käytä pölyisissä paikoissa hengitysuodatinta, jotta pölyn hengittämisestä aiheutuvat riskit pienenisivät.
- Älä osoita puhaltimen suutinta ihmisiä tai lemmikkejä kohden.
- Älä koskaan aseta kappaleita puhaltimen putkien sisälle.
- Älä käytä laitetta avoimien ikkunoiden lähellä
- Jos olosuhteet ovat pölyiset, kostuta pintoja hieman.
- Käytä täyttä puhallinsuuttimen jatkoa, jotta ilmasuihku kohdistuu lähelle maata.
- Älä aseta puhallinta irrallisten roskien päälle tai lähelle. Ottoaukkoon saattaa imeytyä roskia, mikä aiheuttaa laitteelle vaurioita.

MUITA TURVALLISUUSVAROITUKSIA - AKKU

- Lue ja ymmärrä akun ja laturin mukana tulleet turvallisuusohjeet ja noudata niitä aina. Tämän laiminlyönti voi aiheuttaa sähköiskun, tulipalon tai muun vaaratilanteen. Pidä kaikki ohjeet yhdessä ja turvallisessa paikassa tulevaa käyttöä varten.
- Akkukäyttöisiä työkaluja ei tarvitse kytkeä pistorasiaan, joten ne ovat aina käyttövalmiita. Jos laitetta ei käytetä heti, älä aseta virta-avainta lukkoon.
- Irrota akku ennen säätöjä, puhdistusta ja materiaalin irrottamista laitteesta.
- Älä aseta akkukäyttöisiä tuotteita tai niiden akkuja lähelle tulta tai lämmönlähdettä. Näin pienennät räjähdyksen ja loukkaantumisen vaaraa.
- Älä avaa tai vioita akkua. Vapautunut elektrolyytti on syövyttävää ja voi vioittaa silmiä tai ihoa. Se voi olla myrkyllistä nieltynä.



- Suojele akkua kosteudelta ja vedeltä. Älä lataa yksikköä kosteassa tai märässä ympäristössä. Vähennät sähköisku-, tulipalo- ja loukkaantumisvaaraa.
- Jos akku vioittuu tai sitä käytetään virheellisesti, siitä saattaa vapautua huuropu. Hakeudu tällöin raikkaaseen ilmaan ja oireiden tapauksessa lääkäriin. Huurut voivat ärsyttää hengitystiehyitä.
- Älä jätä akkua autoon kesällä.
- Älä sytytä akkua tuleen. Kun akku on käyttöikänsä lopussa, hävitä se asianmukaisesti alueesi paikallisten säästöjen mukaisesti.
- Jos akkua käsitellään väärin, siitä voi vuotaa nestettä; älä kosketa sitä. Jos kosketat sitä vahingossa, huuhtelee se vedellä. Jos nestettä pääsee silmiin, hakeudu lisäksi lääkärin hoitoon. Akusta vuotanut neste voi ärsyttää ihoa ja aiheuttaa palovammoja.

KULJETUS JA VARASTOITAESSA

- Sammuta tuote, irrota se pistorasiasta tai irrota akku ja anna sen jäähtyä ennen varastointia ja kuljetusta.
- Puhdista laitteesta kaikki vieraat materiaalit. Varastoilaitteeseen, kuivaan ja hyvin tuuletettuun paikkaan, jossa lapset eivät pääse siihen käsiksi. Pidä poissa syövyttävilta aineilta kuten puutarhakemikaaleilta ja jäänsulatusuolalta. Älä säilytä ulkona.
- Kiinnitä laite kuljetettaessa siten, että se ei pääse liikkumaan tai kaatumaan, jotta vältytään loukkaantumisilta ja vaurioilta.

HUOLTO

VAROITUS

Käytä ainoastaan alkuperäisiä valmistajan tuottamia varaosia, lisälaitteita ja lisävarusteita. Tämän noudattamatta jättäminen voi johtaa loukkaantumiseen ja huonoon tulokseen ja voi mitätöidä takuun.

VAROITUS

Huolto kaipaa suurta huolellisuutta ja hyvää työkalun tuntemusta: Se on annettava pätevän teknikon tehtäväksi. Suosittelemme, että viet työkalun korjattavaksi lähimpään valtuutettuun liikkeeseen. Käytä vaihdossa yksinomaan alkuperäisiä varaosia.

- Voit tehdä tässä käyttöoppaassa kuvattuja säätöjä ja korjauksia. Jos laite vaatii muuta huoltoa, ota yhteys valtuutettuun huoltopisteeseen.
- Puhdista tuote aina käytön jälkeen pehmeällä ja kuivalla liinalla.
- Varmista aina, että ruuvit ja mutterit ovat tiukasti kiinni, jotta tuote olisi aina turvallinen ja käyttövalmis. Valtuutetun huoltopisteen on korjattava tai vaihdettava vioittuneet osat asianmukaisesti.

KÄYTTÖTARKOITUS

Tämä tuote on tarkoitettu yksinomaan ulkokäyttöön. Tuotetta ei ole tarkoitettu lasten eikä sellaisten ihmisten

käytettäväksi, joiden ruumiin, aistien tai mielen suorituskyky on heikentynyt.

Tuotteella saa puhalltaa kevyitä roskia, kuten lehtiä, ruohoa ja muuta puutarhajätettä.

KÄYTTÖÖN LIITTYVÄT RISKIT

Vaikka laitetta käytettäisiin ohjeiden mukaisesti, ei ole mahdollista täysin eliminoida tiettyjä käyttöön liittyviä riskitekijöitä. Käytössä voi aiheutua seuraavia vaaroja, ja käyttäjän tulee kiinnittää erityistä huomiota niiden välttämiseen:

- Tärinän aiheuttama vamma. Käytä aina työhön sopivaa laitetta, käytä nimettyjä kahvoja ja rajoita työaikaa sekä altistumista.
- Liian kova melu voi aiheuttaa kuulovamman. Käytä suojalaseja ja rajoita altistumista.
- Puhaltimen putken tai imurin poistoaukon ilmavirran sinkoamista kappaleista aiheutuva vamma, jos pussia ei ole asennettu tai se on vioittunut. Käytä aina riittävän hyviä suojalaseja.

RISKIEN VÄHENTÄMINEN

Raporttien mukaan käsikäyttöisten laitteiden tärinä voi joidenkin kohdalla myötävaikuttaa Raynaud's Syndromen (Raynauodin oireen) ilmenemiseen. Oireita ovat pistely, turtuus ja sormien kalpeneminen, yleensä kylmässä ilmassa. Perinnölliset tekijät, kylmyys ja kosteus, ruokavalio, tupakointi sekä työtavat voivat kaikki myötävaikuttaa näiden oireiden ilmenemiseen. Käyttäjä voi ehkäistä tärinän aiheuttamia vaikutuksia seuraavasti:

- Pidä itsesi lämpimänä kylmällä säällä. Käytä laitteen käytön aikana käsineitä, jotta kätesi ja ranteesi pysyvät lämpöisinä. Raporttien mukaan kylmä ilma on tärkeä tekijä Raynaud's Syndromen (Raunauodin oireiden) ilmenemisessä.
- Harjoita kunkin käyttöjakson jälkeen liikuntaa, jotta verenkierto lisääntyisi.
- Pidä työn aikana säännöllisesti taukoja. Rajoita päivittäisen tärinän määrä.

Jos mitään yllä mainittuja oireita ilmenee, lopeta heti laitteen käyttö ja kerro oireista lääkäriin.

VAROITUS

Laitteen pitkittynyt käyttö voi aiheuttaa tai vaikeuttaa vammoja. Kun käytät mitä tahansa laitetta pitkiä aikoja, muista pitää säännöllisiä taukoja.

TUNNE TUOTTEESI

Katso sivu 131.

1. Kädensija
2. Johdon kotelo
3. Käynnistyksen painonappi
4. Puhaltimen putki
5. Nopea suutin
6. Akku
7. Akkulaturi
8. Virtajohto



TUOTTEESSA OLEVAT SYMBOLIT



Lue ja ymmärrä kaikki ohjeet ennen tuotteen käyttöä ja noudata kaikkia varoituksia ja turvallisuusohjeita.



Varo sinkoutuneita ja muita lentäviä esineitä. Pidä vierailijat, eritoten lapset ja kotieläimet vähintään 15 m etäisyydessä työskentelyalueelta.



Käytä kuulosuojaimia



Käytä silmäsuojaimia



Älä altista konetta sateelle tai kosteudelle.



Sammuttaminen: irrota pistoke pistorasiasta ennen puhdistusta tai huoltoa.



Jos johto vioittuu tai katkeaa, irrota se heti pistokkeesta ennen sen huoltoa.



Tämä työkalu on sen EU-maan kaikkien sääntömääräisten standardien mukainen, josta se on ostettu.



EurAsian-vaatimustenmukaisuusmerkki.



Ukrainalainen säädöstenmukaisuusmerkintä



Luokan II laite, kaksoiseristetty



Käytöstä poistettavia sähkölaitteita ei pidä hävittää talousjätteiden mukana. Ne on mahdollisuuksien mukaan pantava kiertoon. Kierrätysohjeita antavat kunnan viranomaiset ja vähittäiskauppiat.



Taattu äänenteho on 94 dB.



Virtalähde : Akku (DC 18V)



Virtalähde : Sähkökäyttöinen (AC 230V)

TÄMÄN KÄSIKIRJAN KUVAKKEET



Kytke pistorasiaan



Irrota pistorasiasta



HUOMAUTUS:



Varoitus!

Seuraavat signaalisanat ja merkitykset on tarkoitettu selittämään tähän tuotteeseen liittyviä riskin tasoja.

⚠ VAARA

Ilmaisee välitöntä vaaratilannetta, joka ellei sitä vältetä, johtaa kuolemaan tai vakavaan loukkaantumiseen.

⚠ VAROITUS

Ilmaisee potentiaalisen vaaratilanteen, joka ellei sitä vältetä, johtaa kuolemaan tai vakavaan loukkaantumiseen.

⚠ HUOMAUTUS

Ilmaisee potentiaalisen vaaratilanteen, joka ellei sitä vältetä, saattaa johtaa pienempään tai keskivaikeaan loukkaantumiseen.

HUOMAUTUS

Ilman turvallisuusvaroitussymbolia ilmoittaa tilanteesta, jossa omaisuutta saattaa vaurioitua.

⚠ ADVARSEL

Når produktet brukes må sikkerhetsreglene følges. For din egen sikkerhet og sikkerheten til tilskuere, må du ha lest og forstått disse instruksene før du tar i bruk produktet. Vennligst ta vare på instruksjonene for fremtidig bruk.

⚠ ADVARSEL

Dette produktet er ikke ment å bli brukt av barn eller personer med nedsatte fysiske, mentale eller sensoriske evner. Barn må ha riktig tilsyn for å sikre at de ikke leker med produktet.

OPPLÆRING

- Les instruksjonsmanualen nøye. Gjør deg kjent med styringen og riktig bruk av produktet.
- Du må aldri la barn, personer med redusert fysisk, sensorisk eller mental kapasitet eller mangel på erfaring og kunnskap eller personer som ikke kjenner disse instruksene, bruke produktet. Lokale forskrifter kan begrense en alder av operatøren.
- Husk at operatøren eller brukeren er ansvarlig for uhell og farer som andre personer og deres eiendom får påført.
- Hold tilskuere, barn og kjæledyr 15 m unna arbeidsområde. Stopp maskinen dersom noen går inn på området der maskinen brukes.

KLARGJØRING

- Visse regioner har forskrifter som begrenser bruken av produktet til definerte operasjoner. Spør de lokale myndigheter for råd.
- Når du bruker produktet, ha alltid på gode sko og lange bukser. Ikke bruk maskinen uten sko eller med åpne sandaler. Unngå bruk av løstsittende klær eller klær som har hengende stropper eller snører - disse kan hekte seg fast i bevegelige deler.
- Ikke bruk løstsittende klær eller smykker som kan bli trukket inn i luftinntakene.
- Sørg for at langt hår ikke når lenger ned enn skuldrene for å hindre at det kan fanges opp av roterende deler.
- Bruk alltid full hørselvern når du bruker dette produktet. Denne maskinen er meget støyfull og kan føre til varige hørselskader dersom man ikke bruker hørselvern for å begrense eksponeringen og følger anvisningen om å bruke hørselvern.
- Bruk alltid full øyebeskyttelse når du bruker dette produktet. Produsenten anbefaler sterkt bruk av en full ansiktsmaske eller helt tette vernebriller. Vanlige briller eller solbriller gir ikke tilstrekkelig beskyttelse. Gjenstander kan når som helst bli kastet ut med stor fart av den sterke luftstrømmen og kan sprette tilbake fra harde overflater mot operatøren.
- Kontroller før hver bruk at alle styreenheter og sikkerhetsanordninger fungerer er de skal. Ikke bruk verktøyet hvis "av" knappen ikke stanser produktet.
- Før hver bruk, se alltid over produktet, sjekk om

kabinettet er uskadet og alle vern og håndtak er på plass og riktig sikret.

- Lever produktet på et autorisert serviceverksted for å skifte ut skadde eller uleselige etiketter.
- Du må aldri bruke produktet med ødelagte vern eller beskyttelser eller uten sikkerhetsanordninger, for eksempel hvis avfallsoppsamleren ikke er på plass.
- Hold alle luftinntak rene for avfall.
- Bruk rake og kost for å løse på smuss før blåsning/støvsuging.
- Klargjør arbeidsstedet før hver gangs bruk. Fjern alle gjenstander som steiner, knust glass, spiker, wire eller hyssing som kan bli slengt lange avstander med stor fart.

GENERELLE SIKKERHETSADVARSLER

⚠ ADVARSEL

Les alle sikkerhetsadvarslene og alle instruksjonene.

Å unnlate å følge advarslene og instruksjonene kan føre til elektrisk støt, brann og alvorlig personskade.

Save all warnings and instructions for future reference.

Begrepet "elektrisk verktøy" i advarslene gjelder ditt elektriske verktøy koblet til strømmettet (med ledning) eller batteridrevet (uten ledning) elektrisk verktøy.

ARBEIDSGIVELSER

- **Hold arbeidsområdet rent, ryddig og godt opplyst.** Uryddige og dårlig opplyste områder fører lett til ulykker.
- **Ikke bruk elektrisk verktøy i eksplosive atmosfærer, som der det finnes brennbare væsker, gasser eller støv.** Elektrisk verktøy skaper gnister som kan antenne støv eller gasser.
- **Hold barn og andre på avstand når et elektrisk verktøy brukes.** Distraksjon kan føre til tap av kontroll.

ELEKTRISK SIKKERHET

- **Støpslet på det elektriske verktøyet må stemme med stikkkontakten. Foreta aldri noen form for endringer av støpslet. Ikke bruk noen form for adapterstøpsel til jordet elektrisk verktøy.** Umodifiserte støpsler og passende stikkontakter vil redusere risikoen for elektrisk støt.
- **Unngå kroppskontakt med jordede overflater, som vannrør, radiatorer, kokeapparater og kjøleaggregater.** Det er økt risiko for elektrisk støt dersom kroppen din har kontakt med jord.
- **Ikke utsett produktet for regn eller fuktige forhold.** Vann som trenger inn i et elektrisk verktøy vil øke faren for elektrisk støt.
- **Ikke misbruk den elektriske ledningen. Bruk aldri ledningen til å bære det elektriske verktøyet eller trekke støpslet ut av stikkkontakten. Hold ledningen vekk fra varme, olje, skarpe kanter eller bevegelige deler.** Skadet eller sammenfloknet ledning øker risikoen for elektrisk støt.
- **Når du bruker det elektriske verktøyet utendørs, bruk en skjeteledning som er tilpasset utendørs**



bruk. Bruk av ledning som er tilpasset utendørs bruk reduserer risikoen for elektrisk støt.

- **Dersom bruk av elektrisk verktøy i fuktige omgivelser ikke er til å unngå, bruk en strømkrets med sikring som er tilpasset verktøyet.** Bruk av strømkrets med sikring reduserer risikoen for elektrisk støt.

PERSONLIG SIKKERHET

- **Vær våken, se på hva du gjør og bruk fornuft når du arbeider med et elektrisk verktøy. Ikke bruk elektrisk verktøy når du er sliten eller under påvirkning av narkotiske stoffer, alkohol eller medisiner som kan påvirke din reaksjonsevne og/eller dømmekraft.** Et øyeblikks uoppmerksomhet når elektrisk verktøy brukes kan føre til alvorlige personskade.
- **Bruk personlig verneutstyr. Bruk alltid øyebeskyttelse.** Verneutstyr som støvmaske, sklisikre vernesko, hjelm eller hørselsvern brukt i passende sammenhenger vil redusere risikoen for personskade.
- **Unngå utilsiktet start. Sørg for at bryteren er i posisjon OFF før utstyret kobles til strømmettet og / eller batteripakken, plukkes opp eller bæres.** Å bære det elektriske verktøyet med fingeren på startknappen eller koble strøm til et elektrisk verktøy med bryteren i ON inviterer til ulykker.
- **Fjern justeringsnøkler og annet verktøy før du setter strøm på det elektriske verktøyet.** En fastnøkkel eller annet verktøy festet til en roterende del av et elektrisk verktøy når det startes kan føre til personskade.
- **Ikke len deg for langt. Sørg for godt fotfeste og god balanse til enhver tid.** Dette gir bedre kontroll over det elektriske verktøyet i en uventet situasjon.
- **Kle deg riktig. Ikke bruk løstsittende plagg og/eller løsthengende smykker. Hold hår, klær og hansker vekk fra bevegelige deler.** Løse plagg, smykker og langt hår kan fanges opp av bevegelige deler.
- **Hvis det finnes tilkoblingsmuligheter for oppsagnings- og oppsamlingsutstyr for støv, sørg for at dette blir tilkoblet og brukt på riktig måte.** Bruk av støvoppsamler kan redusere støvrelatert faresituasjoner.

BRUK OG BEHANDLING AV ELEKTRISK VERKTØY

- **Ikke press maskinen. Bruk korrekt elektrisk verktøy for jobben som skal gjøres.** Riktig elektrisk verktøy vil gjøre jobben bedre og tryggere når det brukes slik det var tiltenkt.
- **Ikke bruk verktøyet hvis bryteren ikke slår verktøyet av og på.** Ethvert elektrisk verktøy som ikke kan kontrolleres med bryteren er farlig og må repareres før det kan brukes.
- **Trekk støpslet ut av den elektriske kontakten og/eller batteripakken fra det elektriske verktøyet før du foretar endringer, skifter tilbehør eller lagrer det elektriske verktøyet.** Slike forebyggende sikkerhetstiltak reduserer risikoen for utilsiktet start av det elektriske verktøyet.
- **Oppbevar elektrisk verktøy som ikke brukes utenfor barns rekkevidde og la ikke personer som ikke er kjent med det elektriske verktøyet eller dets**

instruksjoner bruke det. Elektrisk verktøy er farlig i hendene på uerfarne brukere.

- **Vedlikehold av elektrisk verktøy. Kontroller for feilinnretting og at bevegelige deler løper fritt, at det ikke finnes ødelagte deler og enhver annen tilstand som kan påvirke det elektriske verktøyets drift. Hvis skadet må det elektriske verktøyet repareres før bruk.** Mange ulykker skyldes dårlig vedlikeholdt elektrisk verktøy.
- **Hold skjæredeskaper skarpe og rene.** Korrekt vedlikeholdt skjæreverktøy med skarpe skjærekanter har mindre mulighet for å blokkere seg og er lettere å kontrollere.
- **Bruk det elektriske verktøyet, tilbehøret, verktøybits etc i henhold til disse instruksjonene, der du tar hensyn til arbeidsforholdene og det arbeidet som skal utføres.** Bruk av elektrisk verktøy på en måte det ikke var tiltenkt kan skape farlige situasjoner.

BATTERIPRODUKTER - BRUK OG STELL

- **Lad bare med ladere som er spesifisert av produsenten.** En lader som passer til en type batteripakke kan skape risiko for brann dersom den brukes til en annen type batteripakke.
- **Bruk patteriprodukter kun med spesielt tiltenkte batteripakker.** Bruk av andre batteripakker kan føre til risiko for skade og brann.
- **Når batteripakken ikke er i bruk, hold den vekk fra metallgjenstander som binders, mynter, nøkler, spiker, skruer og annet som kan forbinde de to terminalene med hverandre.** Kortslutning av batteriterminalene kan føre til brenning eller brann.
- **Dersom batteriet misbrukes kan det slippe ut væske, unngå hudkontakt med væsken. Hvis du får kontakt med væsken fra batteriet, skyl med rikelige mengder vann. Hvis væsken får kontakt med øynene må det søkes medisinsk hjelp.** Væske som kommer ut av batteriet kan føre til irritasjon eller brannår.

VEDLIKEHOLD

- **Sørg for at reparasjoner og vedlikehold av ditt elektriske verktøy utføres av kvalifiserte teknikere som kun bruker originale erstatningsdeler.** Dette vil sørge for at sikkerheten med det elektriske verktøyet ivaretas.

SPESIELLE SIKKERHETSADVARSLER

- **Unngå utilsiktet start. Sjekk alltid at bryteren er i avposisjon før du stikker pluggen i stikkkontakten. Ikke bær produktet med fingeren på bryteren dersom det er koblet til strømmen.**
- **Ikke utsett produktet for regn eller fuktige forhold. Vann som trenger inn i apparatet vil øke risikoen for elektrisk støt.**
- **Utstyret må få strøm fra en elektrisk kurs med jordfeilbryter som ikke overstiger 30 mA.**
- **Før hver bruk skal strømledningen sjekkes for skader. Hvis det finnes tegn på skade, må ledningen skiftes ut av et autorisert servicested. Rull alltid ut ledningen under bruk for sammenrullede ledninger kan bli**





overopphetet.

- Hvis du har behov for å bruke en skjøteledning, sjekk at den er egnet til bruk utendørs og at den har en nominell strømkapasitet som er tilstrekkelig for å forsyne verktøyet ditt. Skjøteledningen må være merket med enten "H05 RN-F" eller "H05 VV-F". Sjekk skjøteledningen for skader før hver bruk. Rull alltid ut skjøteledningen under bruk for sammenrullede ledninger kan bli overopphetet. Skader på skjøteledninger må ikke repareres med skiftes ut med tilsvarende type ledning.
- Påse at den elektriske ledningen er plassert slik at den ikke vil bli trådt på, snublet i eller på annen måte utsatt for skader eller belastninger.
- Plukk aldri opp eller bær produktet i den elektriske ledningen.
- Ikke trekk i ledningen for å frigjøre støpslet fra stikkkontakten.
- Hold ledningen vekk fra varme, olje og skarpe kanter.
- Legg strømedningen alltid bak deg og unna produktet.
- Påse at den elektriske spenningen stemmer med ditt produkt. En navneplate på produktet viser enhetens spenning. Tilkoble aldri utstyret til en elektrisk kontakt med en spenning som skiller seg fra produktets.
- Sjekk at bryteren er i AV (OFF) posisjon før du kobler fra strømforsyningen eller fjerner batteriet.

BETJENING

- Hvis en elektrisk ledning skades under bruk, trekk støpslet umiddelbart ut av stikkkontakten. **Ikke ta på ledningen før du har koblet fra strømforsyningen.** Ikke bruk maskinen dersom den elektriske ledningen er slitt eller skadet.
- Bruk maskinen kun til akseptable døgntider - ikke tidlig på morgenen eller sent på natten når folk kan føle seg forstyrret.
- Du må aldri bruke produktet i eksplosive omgivelser.
- Unngå å bruke produktet under dårlige værforhold, spesielt når det er fare for lynnedslag.
- Ikke bruk i dårlig lys. Operatøren må ha klar sikt over arbeidsfeltet for å identifisere potensielle farer.
- Bruk av hørselsvern reduserer muligheten for å høre advarsler (rop eller alarmer). Brukeren må være ekstra oppmerksom med hensyn til hva som skjer på arbeidsområdet.
- Ikke la deg bli avledet og hold alltid konsentrasjonen på det du driver med. Ha alltid i bakhode og vær klar over hva konsekvensen av dine handlinger kan være.
- Bruk av lignende utstyr i nærheten øker faren for både hørselskade og muligheten for at andre kommer inn i din arbeidssonen.
- Ha god fotfeste og ballanse til enhver tid. Ikke len deg for langt. Hvis du lener deg for langt, kan du miste balansen.
- Påse at du alltid har godt fotfeste på skråninger, du må alltid gå, ikke løpe.
- Hold alle deler av kroppen vekk fra bevegelige deler. Bladene i roterende løpehjul kan skape alvorlig personskade.
- Kjør ikke motoren uten at korrekt utstyr er montert. Når

produktet brukes som blåser, sett alltid på blåserørene.

- Du må ikke endre maskinen på noe måte eller bruke deler og tilbehør som ikke er anbefalt brukt av produsenten.

⚠ ADVARSEL

Dersom produktet faller i bakken, får et sterkt slag eller starter å vibrere unormalt, stans produktet omgående og sjekk for skader eller finn ut hva som er årsaken for vibrasjonene. Enhver skade må repareres helt eller delen skiftes av et autorisert serviceverksted.

- For å minske faren for personskader forårsaket av kontakt med roterende deler, stans alltid motoren, koble fra strømtilførselen eller fjern batteriet og sjekk at alle bevegelige deler har stanset før:
 - før du renser eller åpner tette enheter
 - å la produktet stå uten tilsyn
 - før installasjon eller fjerning av tilbehør
 - før kontroll, vedlikehold og arbeider på produktet
 - etter at man har kommet borti et fremmedlegeme, sjekk produktet for skader
 - hvis produktet starter å vibrere unormalt (sjekk omgående)

⚠ ADVARSEL

Din blåser kan utstyres med sele. Juster selene forsiktig slik at de hjelper med å bære produktets vekt.

Finn ut hvordan du skal bruke hurtigutløsermekanismen og øv deg på å bruke den før du tar i bruk maskinen. Riktig bruk kan hindre alvorlige personskader dersom en nødsituasjon skulle oppstå. Du må aldri bruke ekstra klær over selen eller på annen måte hindre hurtigutløsermekanismen.

BLÅSER SIKKERHETSADVARSLER

- Bruk ansiktsmaske med filter ved arbeid i støvete miljøer for å redusere risikoen for skader som følge av innånding av støv.
- Ikke rett blåsemunnstykket mot mennesker eller dyr.
- Sett aldri gjenstander inni blåserørene.
- Ikke bruk maskinen i nærheten av åpne vinduer.
- Fukt overflatene lett dersom det er støvete omgivelser.
- Bruk full blåsemunnstykke slik at luftstrømmen kan brukes nær bakken.
- Ikke sett blåseren på toppen av eller nær løstliggende smuss. Smuss kan bli sugd inn i inntaksventilene, noe som kan føre til skader på produktet.

SPESIELLE SIKKERHETSADVARSLER - BATTERI

- Du må lese og forstå sikkerhetsinstruksene som fulgte med batteriet og laderen og alltid følge disse ved bruk. Dersom dette ikke overholdes, kan det føre til elektrisk støt, brann eller andre farlige situasjoner. Ta vare på alle bruksanvisninger på et sted som er trygt for framtidig referanse.

EN
FR
DE
ES
IT
NL
PT
DA
SV
FI
NO
RU
CS
PL
HU
RO
LV
LT
ET
HR
SL
SK
BG





- Batteriprodukter behøver ikke å kobles til en elektrisk kontakt; derfor er de alltid klare til bruk. Ikke sett inn isolatornøkkelen dersom maskinen ikke vil bli brukt umiddelbart.
- Fjern batteripakken før det foretas justeringer, rengjøring eller det skal fjernes deler fra gressklipperen.
- Plasser ikke batteriprodukter eller deres batterier nær åpen flamme eller sterk varme. Dette vil redusere risikoen for eksplosjoner og mulige skader.
- Ikke gjør forsøk på å åpne eller slå i stykker en batteripakke. Batterisyre er korroderende og kan, dersom den kommer ut, føre til skade på hud og øyne. Den kan være giftig å svelge.
- Beskytt batteripakken mot fuktighet og vann. Ikke lad enheten på fuktige eller våte steder. Du reduserer dermed faren for brann, elektrisk støt og alvorlige kroppsskader.
- Ved skade på eller feilaktig bruk av batteriet kan det løse ut damp. Sørg for frisk luft og søk medisinsk hjelp dersom den som er utsatt for dampen føler seg uvel eller syk. Dampen kan irritere luftveiene.
- Ikke etterlat batteripakken i en bil om sommeren.
- Ikke gjør forsøk på å brenne batteriet. Når batteriet har nådd slutten på sin levetid, skal det kastes i samsvar med lokale bestemmelser og forskrifter.
- Dersom batteriet misbrukes kan det slippe ut væske, unngå hudkontakt med væsken. Hvis du får kontakt med væsken fra batteriet, skyl med rikelige mengder vann. Hvis væsken får kontakt med øynene må det søkes medisinsk hjelp. Væske som kommer ut av batteriet kan føre til irritasjon eller brannskår.

TRANSPORT OG LAGRING

- Stans maskinen, koble fra strømuttaket eller fjern batteriet og å la den kjøle ned før lagring eller transport.
- Fjern alle fremmedelementer fra produktet. Lagres på et kjølig, tørt og godt ventilert sted som er utilgjengelig for barn. Hold den borte fra korrosive materialer, så som ugressmidler og veisalt. Ikke oppbevar utendørs.
- Ved transport må du sikre maskinen mot at den flytter seg eller kan falle ned for å hindre personskader eller skader på maskinen.

VEDLIKEHOLD

⚠ ADVARSEL

Bruk kun produsentens originale reservedeler, tilleggsutstyr og påsatser. Dersom dette ikke følges, kan det forårsake personskader, dårlig funksjon og kan annullere garantien din.

⚠ ADVARSEL

Service krever meget stor forsiktighet og kunnskap og bør utføres kun av kvalifisert teknisk personale. Vi anbefaler at man sender verktøyet tilbake til nærmeste autoriserte servicesenter for reparasjon. Når service utføres skal kun identiske reservedeler brukes.

- Du kan foreta justeringer og reparasjoner som er beskrevet i denne brukermanualen. For andre reparasjoner, ta kontakt med et autorisert serviceverksted.
- Etter hver bruk, rens produktet med en myk tørr klut.
- Kontroller all mutter, bolter og skruer med jevne mellomrom at de er skrudd fast for å sikre at produktet er i driftssikker stand. Enhver del som er skadet må repareres eller skiftes ut ved et autorisert serviceverksted.

TILTENKT BRUK

Produktet er kun til utendørs bruk.

Dette produktet er ikke ment å bli brukt av barn eller personer med nedsatte fysiske, mentale eller sensoriske evner.

Produktet er ment for å blåse lett smuss blant annet blader, gress og annet hageavfall.

GJENVÆRENDE RISIKO

Selv om utstyret brukes som beskrevet er det ikke mulig å unngå enhver gjenværende risiko. Følgende faresituasjoner kan oppstå ved bruk, og operatøren må legge spesielt vekt på å unngå følgende:

- Personskade på grunn av vibrasjon. Bruk alltid riktig verktøy til jobben, bruk håndtakene og begrens arbeidstiden og eksponeringen.
- Eksponering for støy kan føre til hørselskader. Bruk hørselvern og begrens eksponeringen.
- Det kan oppstå skader fra flygende gjenstander fra blåserørets luftstrøm eller støvsugerens utgangsåpning dersom støvsugerposen ikke er satt på eller ødelagt. Bruk alltid tilstrekkelig øyevern.

FAREREDUKSJON

Det foreligger rapporter om at vibrasjoner fra håndholdt verktøy for enkelte personer kan bidra til en tilstand som kalles Raynauds Syndrome. Symptomene kan omfatte følelsesløshet og gjøre fingrene bleke, vanligvis synlig ved eksponering til lave temperaturer. Arvelige faktorer, eksponering mot lave temperaturer og fuktighet, diett, røyking og arbeidspraksis blir alle ansett for å kunne bidra til å utvikle disse symptomene. Brukeren kan iverksette tiltak for mulig å redusere virkningene av vibrasjonene:

- Hold kroppen din varm i kaldt vær. Bruk hansker og hold hender og vrister varme ved bruk av gressklipperen. Det er rapportert at kaldt vær er en viktig faktor som bidrar til Raynauds Syndrome.
- Etter hver arbeidsperiode bør det utføres øvelser for å øke blodsirkulasjonen.
- Ta ofte pauser fra arbeidet som utføres. Begrens mengden av eksponering pr. dag.

Hvis du opplever noen av symptomene på denne tilstanden må du øyeblikkelig avbryte arbeidet og oppsøke en lege med disse symptomene.



⚠ ADVARSEL

Hvis man bruker verktøyet for lenge av gangen, kan det føre til eller forverre allerede eksisterende personskade. Når du bruker et verktøy over en lenger tidsperiode, husk å ta regelmessige pauser.

KJENN PRODUKTET DITT

Se side 131.

1. Håndtak
2. Trådholder
3. Av/På-bryter
4. Blåserøret
5. Høyhastighetsmunnstykke
6. Batteri
7. Batterilader
8. Elektrisk ledning

SYMBOLER PÅ PRODUKTET



Les og forstå alle instruksjer før du tar i bruk produktet, følg alle advarsler og sikkerhetsanvisninger.



Vær oppmerksom på utkastede eller flygende gjenstander. Hold alle tilskuere (spesielt barn og dyr) minst 15 m vekk fra arbeidsområdet.



Bruk hørselsvern



Bruk øyebeskyttelse



Ikke utsette for regn eller fuktige forhold.



Skru av: fjern pluggen fra stikkontakten før vedlikehold og rengjøring.



Fjern øyeblikkelig støpset fra stikkontakten dersom ledningen er skadet eller skåret over.



Dette verktøyet overholder samtlige standarder i det EU-landet det er kjøpt i.



EurAsian Konformitetstegn.



Ukrainsk merke for konformitet



Klasse II verktøy, dobbelisolasjon



Avfall fra elektriske produkter skal ikke kastes sammen med husholdningsavfall. Vennligst resirkulere ved eksisterende avfallsbehandlingssted. Undersøk hos dine lokale myndigheter eller forhandler for råd om resirkulering.



Garantert lydeffektnivå er 94 dB.



Strømforsyning : Batteri (DC 18V)



Strømforsyning : Elektrisk (AC 230V)

IKON I DENNE MANUALEN



Tilkoble til strømkontakten



Ta ut av strømkontakten



MERK:



Advarsel!

Følgende symboler og betydninger forklarer risikonivået som er assosiert med dette produktet.

⚠ FARE

Indikerer en øyeblikkelig farlig situasjon, som, hvis ikke unngås, kan resultere i død eller alvorlig personskade.

⚠ ADVARSEL

Indikerer en potensiell farlig situasjon, som, hvis ikke unngås, kan resultere i død eller alvorlig personskade.

⚠ FORSIKTIGHETSREGEL

Indikerer en potensiell farlig situasjon, som, hvis ikke unngås, kan resultere i mindre eller moderat personskade.

FORSIKTIGHETSREGEL

Uten sikkerhetsvarselssymbol

Indikerer en situasjon som kan føre til skade på eiendom.

⚠ ОСТОРОЖНО

При использовании устройства необходимо соблюдать правила техники безопасности. В целях вашей безопасности и безопасности окружающих необходимо прочитать и полностью уяснить настоящие инструкции перед эксплуатацией устройства. Сохраните данные инструкции для последующего использования.

⚠ ОСТОРОЖНО

Данное устройство не предназначено для использования детьми или лицами с ограниченными физическими, психическими или сенсорными возможностями. Не допускайте того, чтобы дети играли с этим устройством.

ОБУЧЕНИЕ

- Внимательно прочтите данные инструкции. Ознакомьтесь с элементами управления и правильным использованием устройства.
- Никогда не позволяйте детям или людям с ограниченными физическими, сенсорными или умственными способностями, а также людям, незнакомым с этими инструкциями, использовать это устройство. Местные инструкции могут ограничить возраст оператора.
- Иметь в виду, что оператор или пользователь ответственны за несчастные случаи или опасности, встречающиеся другим людям или их собственности.
- Не допускайте прохожих, детей и домашних животных ближе чем на 15 м от рабочей зоны. Остановите устройство, если кто-либо появится в рабочей зоне.

ПОДГОТОВКА

- В некоторых регионах существуют ограничения на использование некоторых операций с данным устройством. Проконсультируйтесь с местными органами власти.
- Во время эксплуатации изделия всегда носите специальную обувь и длинные брюки. Не работайте с инструментом босиком или в открытых сандалиях. Не носите слишком свободную одежду или такую одежду, в которой есть свисающие шнуры или завязки, они могут застрять в движущихся частях.
- Не носите просторную одежду или ювелирные украшения, которые могут затянуться в воздухозаборное отверстие.
- Чтобы избежать наматывания волос на вращающиеся детали, закрепите длинные волосы таким образом, чтобы они не свисали ниже плеч.
- Обязательно носите специальные устройства для защиты слуха. Данное устройство сильно шумит, и длительное воздействие шума может привести к повреждению слуха, если не принимать меры предосторожности по ограничению времени воздействия шума, снижению уровня шума и

защите органов слуха.

- Обязательно носите специальные устройства защиты зрения. Производитель настоятельно рекомендует носить шлем-маску или защитные очки закрытого типа. Обычные очки или солнцезащитные очки не являются надлежащей защитой. Мощная струя воздуха может привести к быстрому отлетанию посторонних предметов и их отскоку от твердых поверхностей в сторону оператора.
- Убедитесь перед каждым использованием, что все элементы управления и предохранительные устройства функционируют правильно. Не используйте инструмент, если невозможно остановить устройство выключателем.
- Перед каждым использованием обязательно выполняйте визуальную проверку, чтобы убедиться в том, что корпус не поврежден, и что защитные приспособления и ручки находятся на месте и надежно закреплены.
- Обратитесь в авторизованный сервисный центр для замены поврежденных или нечитаемых этикеток.
- Запрещается эксплуатация продукта с неисправными защитными устройствами или щитками, а также без предохранительных устройств, например, без установленного мусоросборника.
- Очищайте от мусора вентиляционные отверстия для охлаждения двигателя.
- Используйте грабли и метлы, чтобы убрать остатки, прежде чем сдувать/пылесосить.
- Перед каждым использованием проверяйте рабочую зону. Уберите такие объекты, как камни, осколки стекла, гвозди, провода или шнуры, которые могут далеко отлететь под воздействием быстрого потока воздуха.

ОБЩИЕ ПРАВИЛА БЕЗОПАСНОСТИ

⚠ ОСТОРОЖНО

Прочтите все предупреждения и инструкции по технике безопасности. Несоблюдение приводимых ниже предупреждений и инструкций может привести к поражению электрическим током, возгоранию или тяжким телесным повреждениям.

Save all warnings and instructions for future reference.

Термин «электроинструмент» в данном описании относится к инструментам с питанием от сети (проводные) и от аккумуляторных батарей (беспроводные).

БЕЗОПАСНОСТЬ НА РАБОЧЕМ МЕСТЕ

- **Рабочая зона должна быть свободна и хорошо освещена.** Загромождение или плохое освещение рабочей зоны может привести к несчастным случаям.
- **Не используйте электроинструмент во взрывоопасной среде, например в присутствии легковоспламеняющихся жидкостей, газов или пыли.** В электроинструментах происходит



искрообразование, что может привести к воспламенению пыли или газа.

- **Не допускайте присутствия детей и посторонних лиц при работе с инструментом.** Невнимательность может привести к утрате контроля.

ЭЛЕКТРОБЕЗОПАСНОСТЬ

- **Вилка кабеля питания инструмента должна соответствовать используемой розетке. Не подвергайте вилку кабеля каким-либо изменениям. Не используйте какие-либо переходники с электроинструментами с заземляющим проводом.** Использование оригинальных штепсельных вилок и соответствующих розеток предотвращает опасность поражения электрическим током.
- **Не допускайте контакта частей тела с поверхностями заземленных предметов, таких как трубы, радиаторы отопления, кухонные плиты, холодильники.** При соприкосновении частей тела человека с заземленными участками возрастает опасность поражения электрическим током.
- **Категорически запрещается использование этого продукта в условиях повышенной влажности.** Попавшая внутрь инструмента вода повышает опасность поражения электрическим током.
- **Обращайтесь с кабелем питания надлежащим образом. Не используйте кабель для переноски, перемещения или отключения инструмента от сети питания. Оберегайте кабель от источников тепла, масляных и острых предметов и движущихся деталей.** Поврежденные или запутанные провода повышают опасность поражения электрическим током.
- **При работе с электроинструментом вне помещений пользуйтесь удлинительным кабелем, предназначенным для наружного применения.** Использование кабеля, предназначенного для наружного применения, снижает опасность поражения электрическим током.
- **Если нет возможности избежать работы в условиях повышенной влажности, подключайте инструмент через устройство защитного отключения.** При использовании устройства защитного отключения снижается опасность поражения электрическим током.

ЛИЧНАЯ БЕЗОПАСНОСТЬ

- **Соблюдайте осторожность, следите за своими действиями и пользуйтесь здравым смыслом при работе с электроинструментом. Не пользуйтесь инструментом в состоянии усталости или под воздействием наркотических средств, алкоголя или медицинских препаратов.** Малейшая невнимательность при работе с инструментом может привести к тяжкому телесному повреждению.

- **Используйте средства индивидуальной защиты. Всегда надевайте средства защиты зрения.** Средства защиты, такие как пылезащитная маска, нескользящая защитная обувь, шлем-каска, средства защита органов слуха, используемые надлежащим образом, снижают опасность телесного повреждения.
- **Не допускайте случайного запуска. Перед подключением к источнику питания или установкой аккумуляторной батареи, подъемом или перемещением инструмента убедитесь, что переключатель находится в положении «выключено».** Во избежание несчастных случаев при перемещении инструмента не держите пальцы на переключателе инструмента и не подключайте его к источнику питания при включенном положении переключателя.
- **Перед включением инструмента уберите все регулировочные и гаечные ключи.** Гаечные или регулировочные ключи, оставленные на вращающихся частях инструмента, могут привести к телесному повреждению.
- **Не перенапрягать. Старайтесь сохранять устойчивость и подыскивайте твердую опору.** Это обеспечивает лучшую управляемость электроинструментом в непредвиденных ситуациях.
- **Одевайтесь соответствующим образом. Не надевайте свободную одежду и украшения. Не допускайте попадания волос, одежды и перчаток в движущиеся части.** Свободная одежда, украшения и длинные волосы могут попасть в движущиеся части.
- **Если в инструменте предусмотрено использование устройства удаления и сбора пыли, обеспечьте их надежное крепление и надлежащее использование.** Использование пылесборника снижает опасность, связанную с пылеобразованием.

ИСПОЛЬЗОВАНИЕ И ОБРАЩЕНИЕ С ИНСТРУМЕНТОМ

- **Не прикладывайте чрезмерных усилий при работе с данным инструментом. В каждом случае используйте надлежащий электроинструмент.** Правильно выбранный электроинструмент позволяет выполнить работу, для которой он предназначен, более качественно и более безопасно.
- **Не пользуйтесь инструментом, если выключатель не включается или не выключается.** Любой электроинструмент, не управляемый выключателем, представляет опасность и должен быть отремонтирован.
- **Перед выполнением каких-либо регулировок, заменой приспособлений или хранением инструмента отключите вилку кабеля источника питания и/или аккумуляторной батареи от электроинструмента.** Такие меры предосторожности помогут предотвратить опасность случайного пуска инструмента.
- **Храните неиспользуемые электроинструменты**



в месте, недоступном для детей, а также не допускайте к использованию данного инструмента лиц, не знакомых с его работой или не ознакомленных с данными данными инструкциями. Инструмент в руках неподготовленного лица представляет опасность.

- **Бережно обращайтесь с инструментом.** Проверяйте инструмент на отсутствие перекосов или заклинивания движущихся частей, их неисправности или других причин, которые могут отразиться на работе инструмента. При повреждении инструмента перед его дальнейшим использованием его следует отремонтировать. Многие несчастные случаи вызваны ненадлежащим обращением с инструментом.
- **Содержите режущее устройство в чистоте и заточенном виде.** При надлежащем техническом обслуживании режущего инструмента снижается вероятность застревания режущих частей и облегчается управляемость.
- **Используйте инструмент, принадлежности, насадки и т.п. в соответствии с данными указаниями, и принимая во внимание условия работы и выполняемую работу.** Использование данного электроинструмента не по назначению может создать опасную ситуацию.

ЭКСПЛУАТАЦИЯ УСТРОЙСТВА С АККУМУЛЯТОРНЫМ ПИТАНИЕМ И УХОД ЗА НИМ

- **Зарядку выполняйте только с использованием зарядного устройства, указанного изготовителем.** Зарядное устройство, подходящее к одному типу аккумуляторных батарей, может создать опасность возгорания при использовании с аккумуляторными батареями другого типа.
- **Используйте электрические устройства только со специально предназначенными для них аккумуляторными батареями.** Использование аккумуляторных батарей другого типа может привести к телесным повреждениям или возгоранию.
- **Если аккумуляторная батарея не используется, храните ее отдельно от других металлических предметов, например канцелярских скрепок, монет, ключей, гвоздей, винтов и других мелких металлических предметов, которые могут привести к замыканию контактов батареи.** Замыкание контактов батареи может вызвать ожоги или привести к возгоранию.
- **При ненормальных условиях из батареи может вытечь жидкость, избегайте контакта с ней. Если этого избежать не удалось, смойте жидкость водой. Если жидкость попала в глаза, после их промывания обратитесь за медицинской помощью.** Жидкость, вытекающая из батареи, может вызвать раздражение или ожог.

ОБСЛУЖИВАНИЕ

- **Техническое обслуживание и ремонт инструмента должно выполняться только квалифицированным специалистом** с

использованием взаимозаменяемых запасных частей. Это обеспечит нормальное техническое состояние устройства.

ДОПОЛНИТЕЛЬНЫЕ УКАЗАНИЯ ПО БЕЗОПАСНОСТИ

- Избежите неумышленного старта. Прежде чем подключать устройство к источнику электропитания, убедитесь, что выключатель находится в положении «Выкл.». Не несите включенное изделие с вашим пальцем на выключателе.
- Категорически запрещается использование этого продукта в условиях повышенной влажности. Попадание влаги в устройство может привести к выходу его из строя или поражению электрическим током.
- Электропитание на устройство должно подаваться через устройство защитного отключения (RCD) с силой тока размыкания не более 30 мА.
- Перед каждым использованием проверьте шнур питания на наличие повреждений. В случае обнаружения признаков повреждения он должен быть заменен в авторизованном сервисном центре. Всегда разматывайте шнур питания во время эксплуатации устройства, гибкие кабели могут перегреваться.
- Если необходимо использовать удлинительный шнур, убедитесь, что он подходит для использования вне помещений, и допустимый ток достаточен для питания инструмента. Удлинительный шнур должен быть маркирован «H05 RN-F» или «H05 VV-F». Проверьте удлинительный шнур перед каждым использованием на предмет повреждений. Всегда разматывайте удлинительный шнур во время эксплуатации устройства, потому что спиральные шнуры могут перегреваться. Поврежденные удлинители не подлежат ремонту, их следует заменять аналогичным устройством.
- Разложите кабель питания таким образом, чтобы не наступить на него, не запнуться об него и исключить иные возможности его повреждения или оказания нагрузки на него.
- Запрещается тянуть за кабель питания для поднятия или перемещения изделия.
- Запрещается тянуть за кабель питания, чтобы отключить его от сети.
- Не раскладывайте кабель питания вблизи источников тепла, емкостей с маслом и острых предметов.
- Всегда держите шнур позади устройства.
- Убедитесь в том, что напряжение сети соответствует номинальному напряжению изделия. В паспортной табличке устройства указано его номинальное напряжение. Запрещается подключать устройство к сети переменного тока, напряжение которой отличается от указанного.
- Убедитесь, что выключатель находится в положении Выкл. перед отключением от электросети или извлечением батареи.



ЭКСПЛУАТАЦИЯ

- Если в процессе эксплуатации поврежден кабель питания, сразу же отключите вилку кабеля от сети питания. **Не прикасайтесь к проводу, пока он будет отсоединен от электропитания.** Не пользуйтесь инструментом, если кабель питания поврежден или изношен.
- Используйте устройство только в рабочее время, а не рано утром или поздно вечером, когда это может мешать окружающим.
- Никогда не используйте изделие во взрывоопасной атмосфере.
- Избегайте использования устройства в плохих погодных условиях, особенно когда существует риск попадания молнии.
- Не работайте при недостаточном освещении. Оператор должен четко видеть рабочую зону в целях выявления потенциальных опасностей.
- Использование средств защиты органов слуха снижает способность услышать предупреждения (крики или сигналы). Работая, уделять повышенное внимание к происходящему в зоне работы.
- Не отвлекайтесь, будьте всегда сконцентрированы на том, что вы делаете. Тщательно продумывайте и учитывайте последствия своих действий.
- Эксплуатация аналоговых устройств вблизи рабочей зоны повышает риск повреждения слуха и опасность появления посторонних лиц в вашей рабочей зоне.
- Держать устойчивую опору и баланс. Не перенапрягать. Перенапряжение может закончиться потерей баланса.
- Всегда сохраняйте устойчивость на склонах и ходите спокойно, не бегите.
- Не допускайте попадания частей тела в движущиеся детали. Вращающиеся лопасти крыльчатки могут стать причиной тяжелой травмы.
- Никогда не запускайте устройство без установленной на него соответствующей оснастки. При использовании устройства в качестве воздуходувки всегда устанавливайте трубки выдувания.
- Запрещается каким-либо образом изменять конструкцию устройства или использования детали и принадлежности, не рекомендованные производителем.

⚠ ОСТОРОЖНО

Если устройство уронили, оно издает громкий стук или начинает чрезмерно вибрировать, немедленно остановите его и проверьте на наличие повреждений или выясните причину вибрации. Любые поврежденные детали должны быть надлежащим образом отремонтированы или заменены в авторизованном сервисном центре.

- Для снижения риска получения травмы, связанной с касанием вращающихся частей, обязательно

выключите устройство, извлеките шнур питания из розетки или извлеките батарею и убедитесь, что все движущиеся части остановились:

- перед очисткой или устранением забивания
- оставляя продукт без присмотра
- перед установкой и снятием насадок
- перед проверкой, техобслуживанием и эксплуатацией устройства
- после удара о посторонний предмет проверьте устройство на предмет повреждения
- если продукт начинает вибрировать (проверьте немедленно).

⚠ ОСТОРОЖНО

Воздуходувка может поставляться с ремнем. Аккуратно отрегулируйте ремень, чтобы было удобно держать устройство.

Найдите механизм быстрого освобождения и опробуйте его перед началом использования устройства. Его правильное использование может предотвратить серьезные травмы в случае возникновения чрезвычайной ситуации. Никогда не носите одежду поверх ремня и никаким иным образом не ограничивайте доступ к механизму быстрого освобождения.

ПРЕДОСТЕРЕЖЕНИЯ ОТНОСИТЕЛЬНО БЕЗОПАСНОГО ПОЛЬЗОВАНИЯ ВОЗДУХОДУВКОЙ

- Для снижения опасности травмирования, связанного с вдыханием пыли при повышенной запыленности, надевайте на лицо защитную маску.
- Не направляйте выходное отверстие в режиме выдувания на людей или домашних животных.
- Не допускайте попадания посторонних предметов в трубки воздуходувки.
- Не работайте с устройством вблизи открытых окон.
- Слегка смочите поверхности в условиях сильной запыленности.
- Используйте дополнительную насадку воздуходувки, чтобы поток воздуха был близко к земле.
- Не ставьте воздуходувку поверх разбросанного мусора или вблизи него. Мусор может затянуться в воздухозаборник и привести к повреждению устройства.

ДОПОЛНИТЕЛЬНЫЕ УКАЗАНИЯ ПО БЕЗОПАСНОСТИ - АККУМУЛЯТОР

- Прочитайте, уясните и всегда следуйте инструкции по технике безопасности, прилагаемой к батарее и зарядному устройству. Несоблюдение инструкции может привести к поражению электрическим током, пожару и другим опасным ситуациям. Храните все инструкции вместе в надежном месте для дальнейшего использования.
- Нет необходимости включать изделия с аккумуляторным питанием в электрическую розетку, они всегда находятся в рабочем состоянии. Если



вы не собираетесь использовать устройство сразу же, не вставляйте ключ зажигания.

- Перед выполнением любых настроек, очисткой или удалением материала с устройства снимите аккумуляторную батарею.
- Не размещайте батарею рядом с источниками огня или тепла. Это предотвратит опасность взрыва и телесных повреждений.
- Не вскрывайте и не разбирайте аккумуляторную батарею. Вытекающий электролит является разъедающим веществом, которое может привести к поражению глаз или кожи. При проглатывании электролит может привести к отравлению.
- Оберегайте аккумуляторную батарею от сырости и воды. Не заряжайте устройство в условиях повышенной влажности или сырости. Избегайте ударов током, пожара и тяжелых травм.
- При повреждении или ненадлежащем использовании аккумуляторной батареи из нее могут выделяться испарения. В случае появления признаков недомогания обеспечьте поступление свежего воздуха и обратитесь за медицинской помощью. Испарения могут вызвать раздражение органов дыхания.
- Не оставляйте аккумуляторную батарею в салоне автомобиля летом.
- Не сжигайте аккумуляторную батарею. Когда срок службы батареи истечет, утилизируйте ее надлежащим образом в соответствии с местными правилами.
- При ненормальных условиях из батареи может вытечь жидкость, избегайте контакта с ней. Если этого избежать не удалось, смойте жидкость водой. Если жидкость попала в глаза, после их промывания обратитесь за медицинской помощью. Жидкость, вытекшая из батареи, может вызвать раздражение или ожог.

ТРАНСПОРТИРОВКА И ХРАНЕНИЕ

- Остановите устройство, отключите его от питания или извлеките батарею и дайте ему остыть перед постановкой на хранение или транспортировкой.
- Очистите устройство от всех посторонних материалов. Храните его в прохладном, сухом, хорошо проветриваемом и недоступном для детей месте. Не держите бензопилу рядом с коррозионными веществами, такими как садовые химикаты или размораживающая соль. Не храните на открытом воздухе.
- Перед транспортировкой закрепите устройство, чтобы не допустить его перемещения или падения в целях обеспечения безопасности персонала или устройства.

ТЕХНИЧЕСКОЕ ОБСЛУЖИВАНИЕ

⚠ ОСТОРОЖНО

Используйте только оригинальные запчасти, аксессуары и насадки от производителя. Невыполнение этого требования может привести к травме, к снижению производительности и к аннулированию гарантии.

⚠ ОСТОРОЖНО

Обслуживание требует чрезвычайной заботы и знания и должно быть выполнено только квалифицированным техником обслуживания. Для обслуживания мы предлагаем, чтобы вы возвратили изделие вашему самому близкому уполномоченному центру обслуживания для ремонта. При обслуживании использовать только идентичные сменные части.

- Вы можете также выполнить другие виды регулировки и ремонтные работы, описанные в данном руководстве. По вопросу ремонта обращайтесь в авторизованный сервисный центр.
- После каждого использования протирайте изделие мягкой сухой тканью.
- Проверить все болты, задвижки, и винты, через короткие интервалы, на надлежащую плотность, чтобы убедиться, что изделие находится в безопасном, рабочем состоянии. В случае повреждения какой-либо детали необходимо обратиться в авторизованный сервисный центр для выполнения надлежащего ремонта или замены.

НАЗНАЧЕНИЕ

Инструмент предназначен только для использования на открытом воздухе.

Данное устройство не предназначено для использования детьми или лицами с ограниченными физическими, психическими или сенсорными возможностями.

Продукт предназначен для сдувания мелкого мусора, в том числе листьев, травы и тому подобных предметов.

БУДЬТЕ ВСЕГДА ОСТОРОЖНЫ

Даже при использовании данного инструмента строго по назначению, невозможно полностью исключить отдельные факторы риска. При эксплуатации могут возникнуть следующие ситуации, которым пользователь должен уделять особое внимание, чтобы избежать проблем:

- Травмы, вызываемые вибрацией. Применяйте инструмент только по своему назначению, используйте надлежащие ручки и соблюдайте рабочий режим.
- Воздействие шума может привести к повреждению слуха. Носите устройства защиты слуха и

ограничивайте продолжительность шумового воздействия.

- Травмы от летящих объектов из трубки воздуходувки или выпускного отверстия пылесоса, если мешок не установлен или поврежден. Обязательно носите специальные устройства для защиты глаз.

СНИЖЕНИЕ РИСКА

Считается, что вибрация ручного инструмента может привести к проявлению у отдельных лиц так называемой болезни Рейно (Raynaud's Syndrome). К симптомам могут относиться покалывание, онемение и побеление пальцев (как при переохлаждении). Считают, что наследственные факторы, охлаждение и влажность, диета, курение и практический опыт способствуют развитию этих симптомов. Ниже приводятся меры, которые может принять оператор для снижения воздействия вибрации:

- Одевайтесь теплее в холодную погоду. При работе с устройством пользуйтесь перчатками, чтобы руки и запястья были в тепле. Считается, что холодная погода является основным фактором, способствующим возникновению болезни Рейно (Raynaud's Syndrome).
- После каждого этапа работы выполните упражнения для усиления кровообращения.
- Чаще делайте перерывы в работе. Сократите длительность ежедневного пребывания на открытом воздухе.

При появлении каких-либо из указанных симптомов сразу же прекратите работу и обратитесь по их поводу к врачу.

⚠ ОСТОРОЖНО

Слишком продолжительное использование инструмента может привести к травме. При использовании инструмента в течение длительного времени делайте регулярные перерывы.

ИЗУЧИТЕ УСТРОЙСТВО

См. стр. 131.

- Ручьятка
- Фиксатор шнура
- Тумблер включения/выключения
- Трубка выдувания
- Высокоскоростное сопло
- Аккумулятор
- Зарядное устройство
- Кабель питания

УСЛОВНЫЕ ОБОЗНАЧЕНИЯ НА ПРОДУКТЕ



Внимательно прочитайте все инструкции перед началом работы с продуктом, соблюдайте все предупреждения и инструкции по безопасности.



Помните об опасности, которую представляют собой отбрасываемые устройством или вылетающие из-под него предметы. Не подпускайте посторонних лиц, особенно детей и домашних животных, ближе чем на 15 метров к месту проведения работ.



Следует надевать средства защиты органов слуха



Используйте средства защиты органов зрения



Не подвергайте инструмент воздействию дождя и не используйте в условиях повышенной влажности.



Выключите устройство: перед проведением чистки или обслуживания извлеките шнур питания из розетки



При повреждении или порезе кабеля питания или перед техническим обслуживанием отключите кабель питания от сетевой розетки. Настоящий инструмент отвечает всем официальным стандартам страны ЕС, в которой он был приобретен.



Знак Евразийского Соответствия Сертификат Соответствия № TC RU C-DE.AE11.B.04141 Срок действия Сертификата Соответствия По 09.08.2020 Некоммерческая организация Учреждение сертификации и экспертизы «Сертэкс» 109044 РФ, город Москва, 3-й Крутицкий переулок, дом 11



Украинский знак стандартизации



Инструмент класса II, двойная изоляция



Отработанная электротехническая продукция должна уничтожаться вместе с бытовыми отходами. Утилизируйте, если имеется специальное техническое оборудование. По вопросам утилизации проконсультируйтесь с местным органом власти или предприятием розничной торговли.



Гарантируемый уровень звуковой мощности составляет 94 дБ.



Источник питания : Аккумулятор (18 В пост. тока)



Источник питания : Электрический (230 В пер. тока)

ОБОЗНАЧЕНИЯ, ИСПОЛЬЗУЕМЫЕ В ДАННОМ РУКОВОДСТВЕ



Подключение к сетевой розетке



Отсоединение от сетевой розетки



ПРИМЕЧАНИЕ:



Осторожно!

Следующие сигнальные слова и значения предназначены, чтобы объяснить уровни риска, связанного с этим изделием.

⚠ ОПАСНО

Указывает неизбежно опасную ситуацию, которая, если не избежать, кончится смертельным или серьезным ущербом.

⚠ ОСТОРОЖНО

Указывает потенциально опасную ситуацию, которая, если не избежать, может кончиться смертельным или серьезным ущербом.

⚠ ПРЕДОСТЕРЕЖЕНИЕ

Указывает потенциально опасную ситуацию, которая, если не избежать, может кончиться малым или уменьшенным ущербом.

ПРЕДОСТЕРЕЖЕНИЕ

Употребляется без предупреждающего знака

Указывает на ситуацию, которая может привести к повреждению имущества.

Транспортировка:

Категорически не допускается падение и любые механические воздействия на упаковку при транспортировке.

При разгрузке/погрузке не допускается использование любого вида техники, работающей по принципу зажима упаковок.

Хранение:

Необходимо хранить в сухом месте.

Необходимо хранить вдали от источников повышенных температур и воздействия солнечных лучей.

При хранении необходимо избегать резкого перепада температур.

Хранение без упаковки не допускается.

Срок службы изделия:

Срок службы изделия составляет 5 лет.

Не рекомендуется к эксплуатации по истечении 5 лет хранения с даты изготовления без предварительной проверки.

Дата изготовления (код даты) отштампован на поверхности корпуса изделия.

Пример:

W17 Y2015, где Y2015 - год изготовления

W17 – неделя изготовления

Определить месяц изготовления можно согласно приведенной ниже таблице, на примере 2015 года.

Обратите внимание! Количество недель в месяце различается от года к году.

Месяц	Январь	Февраль	Март	Апрель	Май	Июнь	Июль	Август	Сентябрь	Октябрь	Ноябрь	Декабрь	Год
Неделя	01	05	09	14	18	22	27	31	36	40	44	49	2015
	02	06	10	15	19	23	28	32	37	41	45	50	
	03	07	11	16	20	24	29	33	38	42	46	51	
	04	08	12	17	21	25	30	34	39	43	47	52	
	05	09	13	18	22	26	31	35	40	44	48	53	
			14			27							

⚠ OSTRZEŻENIE

Podczas używania tego urządzenia należy przestrzegać odpowiednich zasad bezpieczeństwa. Ze względu na bezpieczeństwo użytkownika oraz osób postronnych, użytkownik musi w pełni zrozumieć te instrukcje przed rozpoczęciem używania produktu. Niniejszą instrukcję należy przechowywać w bezpiecznym miejscu do późniejszego użytku.

⚠ OSTRZEŻENIE

Produkt ten nie jest przeznaczony do użytkowania przez dzieci lub osoby o ograniczonych zdolnościach fizycznych, umysłowych lub sensorycznych. Należy dopilnować, aby dzieci nie bawiły się produktem.

SZKOLENIE

- Przeczytać uważnie wszystkie instrukcje. Należy zapoznać się z przyrządami sterowania oraz zasadami prawidłowej obsługi produktu.
- Nie wolno pozwalać używać tego produktu dzieciom lub osobom o ograniczonych zdolnościach fizycznych, sensorycznych lub umysłowych ani osobom, które nie przeczytały tych instrukcji. Przepisy lokalne mogą ograniczać dopuszczalny wiek operatora.
- Należy pamiętać, że operator lub użytkownik jest odpowiedzialny za spowodowanie wypadku lub zagrożenia bezpieczeństwa osób i mienia.
- Osoby postronne, dzieci i zwierzęta muszą znajdować się w odległości przynajmniej 15 metrów od miejsca pracy. Zatrzymać urządzenie w przypadku wtargnięcia dowolnej osoby w obszar roboczy.

PRZYGOTOWANIE

- W niektórych regionach obowiązują przepisy ograniczające używanie produktu w przypadku określonych działań. Informacje na ten temat można uzyskać w lokalnych urzędach.
- Podczas obsługi produktu zawsze należy nosić odpowiednie obuwie oraz długie spodnie. Nie wolno obsługiwać urządzenia będąc bosą, lub mając założone lekkie obuwie typu sandały. Należy unikać noszenia luźnej odzieży lub ubrań ze zwisającymi sznurkami lub ozdobami, ponieważ mogą zostać one pochwycone przez ruchome części.
- Nie należy nosić luźnej odzieży lub biżuterii, która może być wciągnięta do wlotu powietrza.
- Długie włosy należy zabezpieczyć w taki sposób, aby znajdowały się powyżej poziomu ramion, co pozwoli uniknąć ryzyka ich zaplątania w ruchome elementy urządzenia.
- Podczas obsługi produktu przez cały czas należy stosować pełne zabezpieczenie słuchu. Ta maszyna jest bardzo głośna i może dojść do uszkodzenia słuchu, jeśli nie będą ściśle przestrzegane nasze środki ostrożności mające na celu ograniczenie narażenia przez zredukowanie poziomu hałasu lub stosowanie środków ochrony słuchu.
- Podczas obsługi produktu przez cały czas należy

stosować pełne zabezpieczenie oczu. Producent zdecydowanie zaleca stosowanie pełnej maski twarzowej lub pełnych gogli. Standardowe okulary lub okulary przeciwsłoneczne nie zapewniają wymaganego zabezpieczenia. Obiekty w każdej chwili mogą być odrzucone z dużą szybkością przez wydajny nadmuchiwyzacznik i mogą odbić się od twardej powierzchni, powodując obrażenia.

- Przed użyciem należy sprawdzić, czy wszystkie przyrządy sterowania oraz zabezpieczenia działają prawidłowo. Nie należy używać narzędzia, jeśli wyłącznik („off”) nie umożliwi wyłączenia produktu.
- Przed każdym użyciem zawsze należy wizualnie sprawdzić, czy obudowa nie jest uszkodzona oraz, czy osłony i uchwyty są zamontowane i odpowiednio zabezpieczone.
- Jeśli etykiety są uszkodzone lub nieczytelne, należy zwrócić produkt do punktu serwisowego w celu wymiany etykiet.
- Nigdy nie wolno używać tego produktu z uszkodzonymi osłonami lub zabezpieczeniami lub bez zabezpieczeń, np. bez założonej osłony.
- Wszelkie otwory wentylacyjne należy utrzymywać w stanie wolnym od zanieczyszczeń.
- Przed wydmuchiwaniami/wciąganiem powietrza należy wzruszyć śmieci grabiami i miotłą.
- Oczyszczyć miejsce pracy każdorazowo przed rozpoczęciem pracy. Należy usunąć wszelkie obiekty, takie jak kamienie, szkło, gwoździe, drut itp. ponieważ mogą być one odrzucone przez sprężone powietrze.

OGÓLNE OSTRZEŻENIA DOTYCZĄCE BEZPIECZEŃSTWA

⚠ OSTRZEŻENIE

Zapoznaj się ze wszystkimi zasadami bezpieczeństwa i instrukcjami. Niezastosowanie się do ostrzeżeń i instrukcji może spowodować porażenie prądem, pożar oraz/lub poważne obrażenia ciała.

Save all warnings and instructions for future reference.

Termin „elektronarzędzia” stosowany w przedstawionych tu zasadach bezpieczeństwa odnosi się zarówno do urządzeń zasilanych z sieci energetycznej (przewodowych) jak i urządzeń zasilanych z akumulatora (beprzewodowych).

OTOCZENIE ROBOCZE

- **Miejsce pracy musi być utrzymywane w czystości i dobrze oświetlone.** Obszary zaśmiecone lub niewystarczająco oświetlone mogą być przyczyną wypadku.
- **Nie wolno uruchamiać urządzeń elektrycznych w miejscach, gdzie grozi to wybuchem, na przykład w pobliżu łatwopalnych cieczy, gazów lub pyłów.** Urządzenia elektryczne mogą wytwarzać iskry, które mogą być przyczyną zapłonu pyłów lub oparów.
- **Podczas używania narzędzi elektrycznych należy utrzymywać osoby postronne i dzieci z dala od miejsca pracy.** Odwrócenie uwagi operatora może

EN
FR
DE
ES
IT
NL
PT
DA
PA
SV
FI
NO
RU
PL
CS
HU
RO
LV
LT
ET
HR
SL
SK
BG

spowodować utratę kontroli nad urządzeniem.

ZASADY BEZPIECZEŃSTWA DOTYCZĄCE OBSŁUGI URZĄDZEŃ ELEKTRYCZNYCH

- **Wtyczki zasilania elektronarzędzi muszą pasować do gniazd sieciowych. Nie wolno modyfikować wtyczek w żaden sposób. Nie wolno używać żadnych przejściówek do podłączania urządzeń posiadających przewód zasilania z uziemieniem. Stosowanie oryginalnych wtyczek i dopasowanych gniazd sieciowych zmniejsza ryzyko porażenia prądem.**
- **Unikać kontaktu ciała z powierzchniami uziemionymi lub podłączonymi do bieguna zerowego, np. rury, instalacje grzewcze i chłodnicze. Kontakt ciała z masą lub uziemieniem zwiększa ryzyko porażenia prądem.**
- **Nie narażać tego produktu na działanie deszczu lub wody. Przedostanie się wody do wnętrza elektronarzędzia zwiększa ryzyko porażenia prądem.**
- **Nie uszkodzić przewodu zasilania. Nie wolno używać przewodu zasilania do przenoszenia, ciągnięcia urządzenia lub jego odłączania z gniazda sieciowego. Przewody elektryczne trzymać z dala od źródeł ciepła, oleju, ostrych krawędzi lub ruchomych elementów. Uszkodzony lub zaplątany przewód elektryczny zwiększa ryzyko porażenia prądem.**
- **W przypadku używania urządzenia na zewnątrz, ewentualne przedłużacze muszą być do tego przystosowane. Zastosowanie przedłużacza przystosowanego do warunków zewnętrznych zmniejsza ryzyko porażenia prądem.**
- **Jeśli nie można uniknąć użytkowania urządzenia elektrycznego w warunkach wilgotnych, należy je zasilac z obwodu zabezpieczonego wyłącznikiem różnicowo-prądowym (RCD). Zastosowanie takiego wyłącznika pozwala zmniejszyć ryzyko porażenia prądem elektrycznym.**

BEZPIECZEŃSTWO OSOBISTE

- **Zachowywać skupienie, uważnie obserwować wykonywane czynności, stosować zasady zdrowego rozsądku podczas obsługi urządzenia. Nie używać urządzeń elektrycznych w stanie zmęczenia lub będąc pod wpływem leków, alkoholu lub środków odurzających. Moment nieuwagi podczas obsługi elektronarzędzia może być przyczyną poważnego zranienia.**
- **Stosować środki ochrony osobistej. Zawsze nosić okulary ochronne. Stosowanie takich środków ochrony osobistej jak maska przeciwpyłowa, obuwie antypoślizgowe, twarde nakrycie głowy, nauszники pozwoli zmniejszyć ryzyko zranienia.**
- **Unikać możliwości przypadkowego uruchomienia urządzenia. Przed podłączeniem do zasilania/założeniem akumulatora lub w celu jego podniesienia lub przeniesienia należy upewnić się, że wyłącznik zasilania znajduje się w położeniu wyłączonym. Przenoszenie elektronarzędzia z palcem na wyłączniku lub podłączenie zasilania do urządzenia, w którym wyłącznik znajduje się w położeniu włączonym**

grozi wypadkiem.

- **Usunąć wszelkie narzędzia i klucze przed włączeniem zasilania. Uruchomienie elektronarzędzia z kluczem założonym na ruchomym elemencie grozi poważnym wypadkiem.**
- **Nie sięgać zbyt daleko. Należy cały czas pewnie opierać stopy i utrzymywać równowagę. Zapewni to lepsze panowanie nad urządzeniem w nieprzewidzianych sytuacjach.**
- **Należy zakładać odpowiednią odzież ochronną. Nie zakładać luźnego ubioru ani biżuterii. Trzymać włosy, ubranie i okulary z dala od ruchomych elementów. Mogą być one wciągnięte przez ruchome części urządzenia.**
- **Jeśli używane urządzenie posiada przyłącze do wyciągu i gromadzenia kurzu, należy go używać w odpowiedni sposób. Stosowanie metod usuwania pyłu zmniejsza zagrożenie związane z jego gromadzeniem.**

UŻYTKOWANIE I KONSERWACJA URZĄDZEŃ ELEKTRYCZNYCH

- **Nie przeciągać urządzenia. Używać odpowiedniego narzędzia do odpowiedniego rodzaju prac. Najlepsze efekty pracy, przy zachowaniu pełnego bezpieczeństwa, zapewni używanie urządzeń w zakresie parametrów znamionowych i stosownie do ich przeznaczenia.**
- **Nie używać tego urządzenia, jeśli wyłącznik nie pracuje poprawnie. Używanie elektronarzędzia bez sprawnego wyłącznika jest zbyt niebezpieczne - należy oddać je do naprawy.**
- **Przed przystąpieniem do regulacji, wymiany akcesoriów lub przed odłożeniem elektronarzędzia w miejsce przechowywania należy wyjąć wtyczkę z gniazda sieciowego lub wyjąć akumulator. Tego rodzaju środki zapobiegawcze pozwolą zmniejszyć ryzyko przypadkowego uruchomienia elektronarzędzia.**
- **Nieużywane urządzenia należy przechowywać poza zasięgiem dzieci. Nie wolno zezwalać osobom nie obeznanym z obsługą urządzeń elektrycznych na ich używanie. Urządzenia elektryczne mogą być niebezpieczne w rękach osób nieposiadających odpowiedniego przygotowania.**
- **Urządzenia elektryczne wymagają konserwacji. Należy sprawdzać wyrównanie elementów ruchomych, sprawdzać, czy nie ma jakichkolwiek uszkodzeń, uwzględnić wszelkie aspekty mające wpływ na bezpieczną pracę urządzenia. W przypadku stwierdzenia uszkodzeń, oddać urządzenie do naprawy. Wiele wypadków spowodowane jest użytkowaniem urządzeń w niewłaściwym stanie technicznym.**
- **Elementy tnące muszą być ostre i czyste. Odpowiednio ostre krawędzie tnące ułatwią prowadzenie urządzenia i są bardziej odporne na uszkodzenie.**
- **Wszelkie urządzenia, przystawki, akcesoria itp. należy używać zgodnie z dołączonymi instrukcjami obsługi, z uwzględnieniem warunków i charakteru wykonywanej pracy. Używanie narzędzi w sposób niezgodny z ich przeznaczeniem grozi poważnym**

niebezpieczeństwem.

UŻYTKOWANIE I OBSŁUGA AKUMULATORA

- **Ładować wyłącznie za pomocą ładowarki dostarczonej przez producenta.** Ładowarka przeznaczona do jednego modelu akumulatora może być przyczyną pożaru w przypadku zastosowania do ładowania akumulatora innego typu.
- **Używać narzędzi ręcznych z napędem elektrycznym wyłącznie z akumulatorami przeznaczonymi do tych urządzeń.** Używanie innych akumulatorów wiąże się ze zwiększonym ryzykiem pożaru lub obrażeń ciała.
- **Gdy akumulator nie jest używany, przechowywać go z dala od innych metalowych przedmiotów, np. spinaczy, monet, kluczy, gwoździ, śrub lub innych małych metalowych przedmiotów, które mogłyby utworzyć połączenie między stykami, prowadząc do zwarcia.** Zwarcie styków akumulatora może spowodować oparzenia lub pożar.
- **W przypadku niewłaściwej obsługi może dojść do wycieku płynu z akumulatora, należy unikać kontaktu z tym płynem.** Miejsce ewentualnego kontaktu przepłukać wodą. W przypadku, gdy płyn dostanie się do oczu, po przemyciu zwrócić się o pomoc do lekarza. Płyn wyciekający z akumulatora może powodować podrażnienia i oparzenia.

KONSERWACJA

- **Urządzenie elektryczne powinno być naprawiane przez wykwalifikowany personel, z zastosowaniem identycznych części zamiennych.** Dzięki temu zapewnione będzie bezpieczeństwo użytkowania urządzenia.

DODATKOWE OSTRZEŻENIA DOTYCZĄCE BEZPIECZEŃSTWA

- Unikać możliwości przypadkowego uruchomienia urządzenia. Przed podłączeniem produktu do źródła zasilania zawsze należy sprawdzić, czy przełącznik znajduje się w położeniu wyłączenia (Off). Nie wolno przenosić podłączonego do prądu produktu, trzymając palec na wyłączniku.
- Nie narażać tego produktu na działanie deszczu lub wody. Woda dostająca się do urządzenia stwarza zagrożenie porażenia prądem.
- Urządzenie powinno być zasilane przez wyłącznik różnicowo-prądowy (RCD), o prądzie zadziałania nie większym niż 30 mA.
- Przed każdym użyciem należy sprawdzić, czy przewód zasilający nie jest uszkodzony. W przypadku stwierdzenia oznak uszkodzenia, należy oddać urządzenie do naprawy do autoryzowanego punktu serwisowego. Zawsze należy rozwijać zwinięty przewód zasilający podczas użycia, ponieważ zwinięte przewody mogą się przegrzać.
- Jeśli konieczne jest użycie przedłużacza, należy upewnić się, że nadaje się on do stosowania na zewnątrz pomieszczeń oraz że ma parametry (moc podłączonych urządzeń) umożliwiające podłączenie danego urządzenia. Przedłużacz powinien mieć oznaczenie „H05 RN-F” lub „H05 VV-F”. Przed każdym

użyciem należy sprawdzić, czy przedłużacz nie jest uszkodzony. Przedłużacz zawsze należy rozwijać podczas użytkowania, ponieważ zwinięte kable mogą ulec przegrzaniu. Nie wolno naprawiać uszkodzonych przedłużaczy. Należy wymienić je na produkt o takich samych parametrach.

- Upewnić się, że przewód zasilania jest ułożony w taki sposób, że nie ma ryzyka potknięcia się o niego, pociągnięcia ani innego narażenia na uszkodzenie lub nadmierne napięcie.
- Nie podnosić ani nie przenosić produktu za przewód elektryczny.
- Nie ciągnąć za przewód zasilania w celu wyjęcia wtyczki z gniazda.
- Przewód zasilania trzymać z dala od źródeł ciepła, oleju i ostrych krawędzi.
- Zawsze należy kierować kabel do tyłu, z dala od produktu.
- Upewnić się, że napięcie zasilania jest odpowiednie dla tego produktu. Napięcie zasilania tego produktu podano na tabliczce znamionowej. Nie podłączać urządzenia do zasilania prądem AC o napięciu innym niż znamionowe.
- Przed odłączeniem od źródła zasilania lub wyjęciem akumulatora należy upewnić się, że przełącznik jest w położeniu OFF (wył.).

SPOSÓB UŻYCIA

- W przypadku uszkodzenia kabla podczas pracy, należy natychmiast wyjąć wtyczkę z gniazda zasilania. **Nie wolno dotykać kabla przed odłączeniem go od źródła zasilania.** Nie używać urządzenia w przypadku uszkodzenia lub zużycia kabla zasilania.
- Z maszyny można korzystać wyłącznie w rozsądnych godzinach, a nie wcześniej rano lub późno w nocy, zakłócając spokój innych ludzi.
- Nigdy nie wolno używać produktu w wybuchowej atmosferze.
- Należy unikać używania produktu w złych warunkach pogodowych, szczególnie jeśli występuje ryzyko wyładowań atmosferycznych.
- Nie pracować w słabym oświetleniu. Operator musi dobrze widzieć miejsce pracy, aby móc zidentyfikować potencjalne zagrożenia.
- Stosowanie środków ochrony słuchu zmniejsza słyszalność ostrzeżeń (alarmów, okrzyków). Należy zwracać większą uwagę na to, co dzieje się w miejscu pracy.
- Nie wolno dopuścić do dekoncentracji i zawsze należy skupiać się na wykonywanej czynności. Należy uważnie zastanowić się oraz uwzględnić efekt swoich działań.
- Praca podobnych narzędzi w pobliżu zwiększa ryzyko urazu słuchu oraz wtargnięcia innej osoby na miejsce pracy.
- Stać stabilnie, zachowując równowagę. Nie sięgać zbyt daleko. Sięganie zbyt daleko grozi utratą równowagi.
- Zawsze należy zwracać uwagę na odpowiednie oparcie stóp na zboczach i zawsze należy chodzić, nigdy biegać.

EN
FR
DE
ES
IT
NL
PT
DA
SV
FI
NO
RU
PL
CS
HU
RO
LV
LT
ET
HR
SL
SK
BG

- Wszystkie kończyny należy trzymać z dala od ruchomych elementów urządzenia. Obracające się łopaty wirnika mogą spowodować poważne zranienie.
- Nie uruchamiać urządzenia bez założonych odpowiednich przystawek. Gdy urządzenie jest używane jako dmuchawa, zawsze należy zakładać rury dmuchawy.
- Nie należy modyfikować maszyny w żaden sposób ani używać części i akcesoriów, które nie są zalecane przez producenta.

⚠ OSTRZEŻENIE

W przypadku upuszczenia produktu, narażenia jej na silne uderzenie lub w przypadku wystąpienia nietypowych wibracji należy natychmiast zatrzymać produkt i sprawdzić, czy nie ma oznak uszkodzenia lub ustalić przyczynę wibracji. Wszelkie uszkodzone części muszą być odpowiednio naprawione lub wymienione w autoryzowanym punkcie serwisowym.

- Aby ograniczyć ryzyko urazów ciała związanych z kontaktem z obracającymi się częściami, zawsze należy zatrzymać produkt, odłączyć go od źródła zasilania lub wyjąć akumulator i sprawdzić, czy wszystkie ruchome części zatrzymały się:
 - przed czyszczeniem lub usuwaniem zablokowanego materiału
 - pozostawiając produkt bez nadzoru
 - przed montażem lub demontażem osprzętu
 - przed sprawdzeniem, konserwacją lub obsługą produktu
 - po uderzeniu obcego przedmiotu w celu sprawdzenia, czy produkt nie został uszkodzony
 - jeśli produkt zacznie wibrować w nietypowy sposób (należy natychmiast przeprowadzić kontrolę).

⚠ OSTRZEŻENIE

Dmuchawa może być wyposażona w uprząż. Należy starannie dopasować uprząż, aby umożliwiała ona komfortowe wsparcie produktu.

Należy sprawdzić, w jaki sposób należy obsługiwać mechanizm szybkiego zwalniania i przećwiczyć używanie go przed uruchomieniem maszyny. Prawidłowe użycie może zapobiec poważnym obrażeniom ciała w razie nagłej sytuacji. Nigdy nie należy zakładać dodatkowej odzieży na uprząż, ponieważ spowodowałoby to ograniczenie dostępu do mechanizmu szybkiego zwalniania.

OSTRZEŻENIA DOTYCZĄCE BEZPIECZEŃSTWA PRACY Z DMUCHAWĄ

- W przypadku wytwarzania dużej ilości kurzu, aby zapobiec jego wdychaniu, należy stosować maskę przeciwpyłową.
- Nie wolno kierować dyszy dmuchawy w kierunku osób postronnych lub zwierząt.
- Nigdy nie wolno wkładać obiektów do rur dmuchawy.

- Nie uruchamiać urządzenia w pobliżu otwartych okien.
- W przypadku dużego zapylenia należy lekko zwilżyć powierzchnię.
- Należy używać szerokiej dyszy, tak aby strumień powietrza mógł być prowadzony blisko ziemi.
- Nie umieszczać dmuchawy na luźnym gruzie lub w jego pobliżu. Gruz może zostać wciągnięty przez otwory powietrza dolotowego, co może spowodować uszkodzenie urządzenia.

DODATKOWE OSTRZEŻENIA DOTYCZĄCE BEZPIECZEŃSTWA - AKUMULATOR

- Należy przeczytać, zrozumieć i zawsze przestrzegać instrukcji bezpieczeństwa dostarczonych z akumulatorem i ładowarką. W przeciwnym razie może dojść do porażenia prądem, pożaru lub innej niebezpiecznej sytuacji. Wszystkie instrukcje należy przechowywać razem w bezpiecznym miejscu w celu wykorzystania w przyszłości.
- Narzędzia akumulatorowe nie muszą być podłączane do sieci energetycznej i zawsze są w stanie gotowym do uruchomienia. Jeżeli urządzenie nie będzie od razu używane, nie wolno wkładać klucza odłącznika.
- Przed rozpoczęciem regulacji, czyszczenia lub usuwania materiału z urządzenia należy wyjąć akumulator.
- Nie umieszczać urządzeń akumulatorowych ani samych akumulatorów w pobliżu ognia lub źródeł ciepła. Przestrzeganie tego zalecenia pozwoli zmniejszyć ryzyko eksplozji i zranienia.
- Nie otwierać i nie modyfikować akumulatora. Wyciekający elektrolit jest czynnikiem korozyjnym i może powodować urazy oczu lub skóry. W razie połknięcia może być toksyczny.
- Chronić akumulator przed wilgocią i wodą. Nie ładować akumulatora w wilgotnym lub mokrym miejscu. W ten sposób zmniejszycie ryzyko porażenia prądem elektrycznym, pożaru czy obrażeń ciała.
- W przypadku uszkodzenia i nieprawidłowego użytkowania akumulatora może dojść do emisji oparów. Należy udać się na świeże powietrze i w razie dolegliwości uzyskać pomoc medyczną. Opary mogą podrażnić układ oddechowy.
- Nie wolno pozostawiać akumulatora latem w samochodzie.
- Nie wolno wrzucać akumulatora do ognia. Gdy upłynie termin przydatności akumulatora, należy zutylizować go zgodnie z obowiązującymi przepisami.
- W przypadku niewłaściwej obsługi może dojść do wycieku płynu z akumulatora, należy unikać kontaktu z tym płynem. Miejsce ewentualnego kontaktu przepłukać wodą. W przypadku, gdy płyn dostanie się do oczu, po przemyciu zwrócić się o pomoc do lekarza. Płyn wyciekający z akumulatora może powodować podrażnienia i oparzenia.

TRANSPORT I PRZECHOWYWANIE

- Przed schowaniem lub transportem produktu należy zatrzymać go, odłączyć od źródła zasilania lub wyjąć akumulator i odczekać, aż ostygnie.

- Usunąć z produktu wszelkie zanieczyszczenia. Należy przechowywać urządzenie w chłodnym, suchym i dobrze wentylowanym miejscu, które jest niedostępne dla dzieci. Nie chowajcie jej w pobliżu czynników żrących, takich jak ogrodowe produkty chemiczne czy sole odmrażające. Nie przechowywać na zewnątrz.
- W przypadku transportu urządzenia należy zabezpieczyć je przed przemieszczaniem się lub upadkiem, aby nie dopuścić do obrażeń ciała lub uszkodzenia urządzenia.

KONSERWACJA

⚠ OSTRZEŻENIE

Należy stosować wyłącznie oryginalne części zamienne, akcesoria oraz przystawki producenta. W przeciwnym razie może dojść do obrażeń ciała, niskiej wydajności oraz do unieważnienia gwarancji.

⚠ OSTRZEŻENIE

Serwisowanie wymaga wyjątkowej staranności i wiedzy. Może być wykonywane wyłącznie przez wykwalifikowany personel serwisowy. W celu naprawy zaleca się oddać kosiarkę do najbliższego autoryzowanego punktu serwisowego. Do napraw używać wyłącznie identycznych zamienników.

- Możesz wykonywać czynności regulacyjne i naprawcze opisane w tej instrukcji obsługi. W przypadku innych napraw należy skontaktować się autoryzowanym punktem serwisowym.
- Po każdym użyciu należy wyczyścić produkt miękką, suchą szmatką.
- Systematycznie sprawdzać, czy wszystkie nakrętki, wkręty i śruby są dobrze dokręcone, aby upewnić się, że produkt jest w bezpiecznym stanie. Każdą uszkodzoną część należy odpowiednio naprawić lub wymienić w autoryzowanym punkcie serwisowym.

PRZEZNACZENIE

Produkt jest przeznaczony do użytku wyłącznie na zewnątrz pomieszczeń.

Produkt ten nie jest przeznaczony do użytkowania przez dzieci lub osoby o ograniczonych zdolnościach fizycznych, umysłowych lub sensorycznych.

Produkt jest przeznaczony do wydmuchiwania lekkich śmieci, w tym liści, trawy i innych odpadów ogrodowych.

RYZIKO ZWIĄZANE Z UŻYTKOWANIEM:

Nawet jeśli urządzenie jest używane zgodnie z zaleceniami, nadal nie jest możliwe wyeliminowanie określonych czynników ryzyka. Następujące zagrożenia mogą wystąpić podczas używania urządzenia i operator powinien zwracać szczególną uwagę na poniższe punkty:

- Urazy ciała spowodowane przez wibracje. Zawsze należy używać do określonego zadania odpowiednich narzędzi, korzystać z przeznaczonych do tego

uchwytów i stosować się do zaleceń dotyczących czasu pracy i narażenia.

- Narażenie na hałas może spowodować utratę słuchu. Należy nosić środki ochrony uszu oraz ograniczyć poziom narażenia.
- Występuje ryzyko obrażeń ciała na skutek uderzenia przez objekty wyrzucane z rury nadmuchu lub wydmuchu, jeśli worek nie jest zamocowany lub jest uszkodzony. Stosować przez cały czas odpowiednie środki ochrony oczu.

OGRANICZENIE RYZYKA

Badania dowodzą, że wibracje powodowane przez narzędzia ręczne mogą wywoływać u niektórych osób objawy syndromu Raynauda. Typowe objawy to mrowienie, drętwienie i blednięcie palców, widoczne zwykle po wystawieniu na działanie zimna. Uważa się, że czynniki dziedziczne, wystawienie na działanie zimna i wilgoci, dieta, palenie papierosów i przyjęte zwyczaje przyczyniają się do rozwoju tych objawów. Istnieją środki zaradcze, które może podjąć operator narzędzia, aby zmniejszyć efekt wibracji:

- Zadbaj o niskie temperaturach o ciepłotę własnego ciała, zakładając odpowiednie ubranie. Podczas obsługi urządzenia należy nosić rękawice, aby dłonie i nadgarstki były ciepłe. Wiadomo, że niskie temperatury są główną przyczyną powstawania objawu Raynauda.
- Podczas przerw w pracy należy wykonywać ćwiczenia poprawiające krążenie krwi..
- Podczas pracy robić częste przerwy. Ograniczyć ekspozycję w ciągu dnia.

W razie doświadczenia dowolnego z wymienionych objawów, należy niezwłocznie zaprzestać użytkowania tego urządzenia i skontaktować się z lekarzem.

⚠ OSTRZEŻENIE

Długotrwałe użytkowanie narzędzia może spowodować obrażenia ciała lub nasilić dolegliwości zdrowotne. W przypadku używania narzędzia przed dłuższy czas należy pamiętać o regularnych przerwach.

ZAPOZNAJ SIĘ ZE SWOIM PRODUKTEM

Patrz str. 131.

1. Rękojeść
2. Uchwyt przewodu
3. Przełącznik W-Wył
4. Rura nadmuchu
5. Dysza szybkoobrotowa
6. Akumulator
7. Ładowarka akumulatora
8. Przewód zasilania

SYMBOLE PRODUKTU



Należy przeczytać i zrozumieć wszystkie instrukcje przed rozpoczęciem obsługi produktu oraz przestrzegać wszystkich ostrzeżeń i instrukcji dotyczących bezpieczeństwa.



Uwaga na odrzucane przedmioty. Trzymać wszystkie osoby postronne, szczególnie dzieci i zwierzęta, w odległości przynajmniej 15 m od miejsca pracy.



Nosić środki ochrony słuchu



Zakładać środki ochrony wzroku



Nie wystawiać urządzenia na działanie deszczu ani nie używać w miejscach o dużej wilgotności.



Wyłączyć: odłączyć wtyczkę od źródła zasilania przed czyszczeniem lub konserwacją.



W przypadku stwierdzenia uszkodzenia przewodu zasilania i przed rozpoczęciem czynności konserwacyjnych niezwłocznie wyjąć wtyczkę z gniazda zasilania. Narzędzie to spełnia wymogi wszystkich norm reglamentacji kraju UE, w którym było ono zakupione.



Znak zgodności EurAsian



Ukraiński znak zgodności



Narzędzie klasy II, podwójna izolacja



Zużyte produkty elektryczne nie powinny być utylizowane z odpadami domowymi. Prosimy poddawać recyklingowi w odpowiednich miejscach. Informacje o właściwych metodach recyklingu można uzyskać u władz lokalnych lub sprzedawcy.



Maksymalny poziom natężenia hałasu wynosi 94 dB.



Zasilanie : Akumulator (DC 18 V)



Zasilanie : Elektryczna (AC 230 V)

IKONY UŻYWANE W TYM PODRĘCZNIKU



Podłączyć do gniazda zasilania



Odłączyć z gniazda zasilania



OBJAŚNIENIE:



Ostrzeżenie!

Poniższe symbole i nazwy które im nadano, pozwalają wyjaśnić różne poziomy ryzyka związanego z użytkowaniem tego narzędzia.

⚠ NIEBEZPIECZEŃSTWO

Wskazuje na realne zagrożenie, które może spowodować śmierć lub poważne zranienie, jeżeli się nie uniknie tego niebezpieczeństwa.

⚠ OSTRZEŻENIE

Wskazuje na potencjalne zagrożenie, które może spowodować śmierć lub poważne zranienie, jeżeli się nie uniknie tego niebezpieczeństwa.

⚠ UWAGA

Wskazuje na potencjalne zagrożenie, które może spowodować mniejsze lub bardziej poważne zranienie, jeżeli się nie uniknie tego niebezpieczeństwa.

UWAGA

Bez symbolu ostrzeżenia
Sytuacja, która może grozić uszkodzeniem mienia.

⚠ VAROVÁNÍ

Při používání výrobku musí být dodrženy bezpečnostní předpisy. Pro vaši vlastní bezpečnost a přítomných osob je nutné si přečíst a plně pochopit tyto pokyny před použitím výrobku. Tyto pokyny uschovejte pro příští použití.

⚠ VAROVÁNÍ

Tento nástroj není určen pro používání osobami, včetně dětí, pokud jsou jejich fyzické, pohybové nebo mentální schopnosti sníženy. Dohlédněte, aby si děti se spotřebičem nehrály.

ZAŠKOLENÍ

- Návod si pečlivě přečtete. Seznamte se s ovládním a řádným používáním nástroje.
- Produkt není určen pro používání osobami, včetně dětí se sníženými tělesnými, smyslovými nebo duševními schopnostmi nebo s nedostatkem zkušeností a znalostí, pokud neprošli školením ohledně používání, čištění či údržby. Místní předpisy mohou omezovat dobu obsluhy.
- Uživatel nebo obsluha tohoto zahradnického nástroje je zodpovědná za nehody nebo nebezpečí způsobená na jiné osobě nebo jejich majetku.
- Všechny přihlízející, zvláště děti a zvířata udržujte 15 m mimo pracovní oblasti. Zastavte přístroj, pokud někdo vstoupí do pracovního prostoru.

PŘÍPRAVA

- Místní předpisy mohou omezovat použití výrobku. Ověřte si u svého orgánu místní správy toto nařízení.
- Když s nástrojem pracujete, noste vždy pevnou obuv a dlouhé kalhoty. Se zařízením nepracujte, pokud máte obuty sandály s otevřenou špičkou, nebo pokud jste bosí. Zamezte nošení volných oděvů, nebo které mají vlající šňůrky nebo pásky; mohou se zachytit do pohyblivých částí.
- Nenoste volné oblečení nebo šperky, mohou se zachytit do nasávání vzduchu.
- Dlouhé vlasy si svažte nad rameny, aby se nemohly zaplést do pohyblivých částí.
- Při práci s nástrojem vždy používejte ochranu sluchu. Nástroj je velmi hlučný a může nastálo ovlivnit sluch při vystavení, omezujte hluk a noste ochranu sluchu, i když to není dáno.
- Při práci s nástrojem vždy používejte ochranu zraku. Výrobce důrazně doporučuje používat celoobličejovou masku nebo uzavřenou ochranné brýle. Dioptrické ani sluneční brýle nejsou vhodnou ochranou. Objekty mohou být odmršťovány vysokou rychlostí silným proudem vzduchu a mohou se odrážet od pevných povrchů směrem k obsluze.
- Před každým použitím se ujistěte, že všechny ovladače a jističe řádně fungují. Nástroj nepoužívejte, pokud přepínač „nevypíná“ (off) nástroj.
- Zkontrolujte před každým použitím, zda jsou všechny

chrániče, kryty proti trávě a rukojetě řádně a bezpečně namontovány a v dobrém stavu.

- Odevzdejte nejbližšímu servisnímu středisku k výměně poškozených či nečitelných štítků.
- Nikdy neprovazujte nástroj s poškozenými chrániči nebo štíty nebo bez bezpečnostních zařízení, například lapačem úlomků.
- Udržujte všechny otvory pro chlazení vzduchem prosté smetí.
- Používejte hrábě a košťata pro uvolnění smetí před foukáním / vysáváním.
- Před každým použitím si vyčistěte pracovní oblast. Odstraňte všechny předměty, například kameny, rozbité sklo, dráty nebo struny, které se mohou vymrští velmi silným proudem vzduchu.

VŠEOBECNÁ BEZPEČNOSTNÍ VAROVÁNÍ

⚠ VAROVÁNÍ

Přečtete si všechny pokyny a bezpečnostní varování. Opomenutí dodržování varování a pokynů uvedených níže může způsobit úraz elektrinou požár a/nebo vážná poranění osob.

Save all warnings and instructions for future reference.

Pojem „elektricky poháněný nástroj“ ve varování poukazuje na váš nástroj, který je napájen pomocí napájecího kabelu z elektrické sítě (s kabelem) nebo z baterie (bez přívodního kabelu).

PRACOVNÍ PROSTŘEDÍ

- **Udržujte pracovní prostor čistý a dobře osvětlený.** Zatarasené nebo tmavé oblasti vedou k nehodám.
- **Nepracujte s tímto elektricky poháněným nástrojem ve výbušných prostředích, například v přítomnosti hořlavých kapalin, plynů nebo prachu.** Elektricky poháněné nástroje vytváří jiskry, které mohou zapálit prach nebo výpary.
- **Udržujte děti a přihlízející během práce s elektricky poháněným nástrojem stranou.** Rozptylování může způsobit ztrátu kontroly.

ELEKTRICKÁ BEZPEČNOST

- **Zástrčky elektricky poháněného nástroje musí být shodné s elektrickou zásuvkou. Nepokoušejte se zástrčku jakýmkoliv způsobem upravovat. Nepoužívejte žádný adaptér zástrček se zemným (uzemněným) elektricky poháněným nástrojem.** Neupravené zástrčky a shodné zásuvky snižují nebezpečí elektrického úrazu.
- **Předcházejte tělesnému kontaktu s uzemněnými nebo zemněnými povrchy, například trubkami, radiátory, sporáky a lednicemi.** Je zde zvýšené nebezpečí zásahu elektrickým proudem, pokud je vaše tělo zemněno nebo uzemněno.
- **Nevystavujte tento přístroj dešti nebo vlhkým podmínkám.** Voda vnikající do elektricky poháněného nástroje zvyšuje nebezpečí elektrického úrazu.
- **Nepoškožujte napájecí kabel. Nikdy pro odpojování, táhnutí nebo přenášení elektricky poháněného**



nástroje nepoužívejte kabel. Udržujte kabel mimo horké plochy, olej, pohyblivé součásti nebo ostré hrany. Poškozené nebo zamotané kabely zvyšují nebezpečí elektrického úrazu.

- Pokud používáte elektricky poháněný nástroj ve venkovním prostředí, používejte prodlužovací kabel vhodný pro venkovní prostředí. Použití kabelu vhodného pro venkovní prostředí snižuje nebezpečí elektrického úrazu.
- Pokud používáte elektricky poháněný nástroj ve vlhkém prostředí, je nezbytné používat proudový chránič (PCH). Použitím PCH snížíte nebezpečí poranění elektrickým proudem.

OSOBNÍ BEZPEČNOST

- **Budte ve střehu, hlídejte, co děláte a používejte zdravý rozum při provozu tohoto elektricky poháněného nástroje. Elektrický nástroj nepoužívejte, pokud jste unaveni nebo pod vlivem drog, alkoholu nebo léků.** Chvilce nepozornosti při práci s tímto elektricky poháněným nástrojem může způsobit vážná poranění osob.
- **Používejte osobní ochrannou výbavu. Vždy noste ochranu očí.** Ochranná výbava jako respirátor, protiskluzová obuv, ochranná přilba nebo ochrana sluchu použitá pro příslušné podmínky snižuje osobní poranění.
- **Zabraňte náhodnému spuštění. Zabezpečte, aby byl spínač v poloze vypnuto (off) před připojením zdroje energie a/nebo bloku baterií, přípravou nebo nesením nástroje.** Nošení elektrického nástroje s vaším prstem na spínači nebo se zapojenou zástrčkou elektrického nástroje může při zapnutí vést k nehodě.
- **Odstraňte všechny seřizovací klíče nebo šroubováky, než zapnete poháněný nástroj.** Klíč nebo šroubovák ponechaný přiložený k pohyblivému dílu elektricky poháněného nástroje může způsobit poranění osob.
- **Nepřeceňujte se. Udržujte řádné postavení a rovnováhu po celou dobu práce.** Toto umožňuje lepší ovládání poháněného nástroje v neočekávaných situacích.
- **Správně se oblékejte. Nenoste volný oděv nebo šperky. Udržujte svoje vlasy, oděv a rukavice mimo pohyblivou část.** Volný oděv, šperky nebo dlouhé vlasy mohou být zachyceny do pohyblivých dílů.
- **Pokud jsou zařízení vybavena přípojkou pro odsávání prachu a sběrným zařízením, ujistěte se, že jsou správně připojeny k nástroji, a že se správně používají.** Použití odsavače prachu může snížit nebezpečí související s prachem.

POUŽITÍ A PÉČE O NÁSTROJ

- **Nepoužívejte nadměrnou sílu na nástroj. Nářadí vybírejte podle povahy práce, kterou chcete provádět.** Správný elektricky poháněný nástroj bude svou práci provádět lépe a bezpečněji při práci, pro kterou byl navržen.
- **Elektricky poháněný nástroj nepoužívejte, pokud spínač nezapíná a nevypíná.** Každý elektricky poháněný nástroj, který nemůže být ovládán spínačem, je nebezpečný a musí být opraven.

- **Odpojte zástrčku od zdroje napájení a/nebo bateriový modul dříve, než provedete jakákoliv nastavení, výměnu příslušenství nebo než elektrický nástroj uložíte.** Také bezpečnostní preventivní opatření snižují riziko náhodného spuštění elektrického nástroje.
- **Ukládejte nečinný elektricky poháněný nástroj mimo dosah dětí a nenechávejte neznámé osoby pracovat s elektricky poháněným nástrojem nebo s těmito pokyny k obsluze elektrického nástroje.** Elektricky poháněné nástroje jsou nebezpečné v rukou nekvalifikovaných uživatelů.
- **Udržujte elektrické nástroje. Kontrolujte vychýlení nebo zasekávání pohyblivých dílů, rozbité části a každé jiné podmínky, které mohou ovlivnit funkci elektricky poháněných nástrojů.** Zjistí-li se poškození, musí se elektricky poháněný nástroj před použitím opravit. Mnoho úrazů je způsobeno nedostatečně udržovanými elektricky poháněnými nástroji.
- **Udržujte řezné nástroje ostré a čisté.** Řádně udržované řezné nástroje s ostrými řeznými hranami mají nízkou pravděpodobnost zaseknutí a jsou snadněji ovladatelné.
- **Poháněné nástroje, příslušenství a vrtáky, atd. používejte v souladu s těmito pokyny s ohledem k pracovním podmínkám a práci, která má být provedena.** Použití elektricky poháněného nástroje pro práce jiné, než zamýšlené by mohlo mít za následek nebezpečnou situaci.

POUŽITÍ A PÉČE O NÁSTROJ NA BATERIE

- **Dobíjejte pouze nabíječkou určenou výrobcem.** Nabíječka, která je vhodná pro jeden typ akumulátoru může způsobit nebezpečí požáru, pokud se používá s jiným bateriovým modulem.
- **Elektrický nástroj používejte pouze s přesně určeným bateriovým modulem.** Použití jakéhokoliv jiného akumulátoru může způsobit nebezpečí poranění a požáru.
- **Pokud akumulátor nepoužíváte, uchovávejte jej mimo kovové předměty jako svorky pro papír, mince, klíče, hřebíky, šrouby nebo jiné malé kovové předměty, které mohou vytvořit propojení jednoho vývodu s druhým.** Zkratování vývodů baterie může způsobit požár nebo popáleniny.
- **Za nevhodných podmínek může z baterie vytékat kapalina; zabraňte kontaktu.** Pokud dojde k náhodnému kontaktu, omyjte vodou. Pokud kapalina přijde do kontaktu s očima, vyhledejte lékařskou pomoc. Kapalina vytečená z baterie způsobit podráždění nebo popáleniny.

ÚDRŽBA

- **Váš elektricky poháněný nástroj smí opravovat pouze kvalifikovaný opravárenský pracovník a musí používat pouze shodné náhradní díly.** Toto zajišťuje udržování bezpečnosti elektricky poháněného nástroje.

DOPLŇJÍCÍ BEZPEČNOSTNÍ VAROVÁNÍ

- **Zabraňte náhodnému spuštění.** Vždy zkontrolujte, že je před zapojením výrobku do síťové zásuvky spínač v





poloze Off (VYPNUTO). Nenoste zapojených výrobek s prstem na spínači.

- Nevystavujte tento přístroj dešti nebo vlhkým podmínkám. Voda vnikající do zařízení zvyšuje nebezpečí elektrického úraza.
- Elektrické zařízení musí být napájeno přes proudový chránič s reziduálním proudem nepřesahujícím 30 mA.
- Před každým použitím zkontrolujte napájecí kabel na poškození. Pokud jeví známky poškození, je nutné jej vyměnit v pověřeném servisním středisku. Během používání kabel plně rozviňte, smotaný kabel se může přehřívat.
- Pokud potřebujete použít prodlužovací kabel, ujistěte se, že je vhodný pro venkovní použití a má dostatečnou proudovou kapacitu pro napájení nástroje. Prodlužovací kabel by měl být označen buď „H05 RN-F“ nebo „H05 VV-F“. Před každým použitím vizuálně prohlédněte prodlužovací kabel na poškození. Během používání prodlužovací kabel plně rozviňte, smotaný kabel se může přehřívat. Poškozené napájecí kabely se nesmí opravovat, vždy vyměňte za stejný typ.
- Zkontrolujte, zda je napájecí kabel umístěn tak, aby se po něm nešlapalo a aby nemohlo dojít k jeho skřípnutí nebo jinému způsobu poškození či stlačení.
- Nikdy výrobek nezvedejte ani nepřenašejte uchopením za elektrický kabel.
- Nikdy netahejte za napájecí kabel, chcete-li jej odpojit od elektrické sítě.
- Dávejte pozor, aby se napájecí kabel nedostal do kontaktu s horkem, olejem nebo ostrými hranami.
- Vždy kabel směřujte směrem dozadu za výrobek.
- Zkontrolujte, zda je napětí napájecí soustavy vhodné pro výrobek. Štítek s názvem produktu udává pracovní napětí zařízení. Nikdy nepřipojujte produkt ke střídavému napětí, které se liší od tohoto napětí.
- Zkontrolujte, že je před odpojením od zdroje elektrické energie nebo odebráním akumulátoru spínač napájení v poloze OFF (vypnuto).

POUŽITÍ

- If a cord becomes damaged during use, disconnect the supply cord from the mains immediately. **Nedotýkejte se kabelu před odpojením z elektrické zásuvky.** Nepoužívejte nástroj, když je kabel poškozen nebo ve špatném stavu.
- Nástroj používejte pouze ve vhodnou denní dobu - ne brzy ráno nebo pozdě večer, neboť lidé mohou být rušeni.
- Nikdy nepoužívejte ve výbušném ovzduší.
- Nepožívejte stroj při špatném počasí, zejména, hrozí-li bouřky.
- Neprovozujte při slabém osvětlení. Obsluha musí mít čistý výhled na pracovní oblast k identifikaci potenciálních nebezpečí.
- Uvědomte si, že použití ochrany sluchu snižuje vaši schopnost slyšet varování (poplachy nebo výkřiky). Obsluha si musí být tohoto vědoma a platí speciální upozornění, aby si všimla události v jeho pracovní oblasti.

- Nerozptylujte se a vždy se koncentrujte na to, co děláte. Přemýšlejte o své práci a pečlivě berte v úvahu vliv svých činností.
- Obsluha podobných nástrojů zvyšuje jak nebezpečí poranění sluchu, tak osob vstupujících do zóny práce.
- Udržujte bezpečné postavení a rovnováhu. Nepřeceňujte se. Přeceňování může způsobit ztrátu rovnováhy.
- Vždy na svazích zabezpečte své pevné postavení a chodte, neběhejte.
- Udržujte všechny části těla mimo pohyblivé součásti. Rotující lopatky hnacího kola mohou způsobit vážné poranění.
- Nikdy neuvádějte nástroj do chodu bez řádně připevněných doplňků. Když nástroj používáte jako fukar, vždy nainstalujte trubice fukaru.
- Nástroj nijak neupravujte nebo nepoužívejte příslušenství, jež nejsou doporučena výrobcem.

VAROVÁNÍ

Pokud začne po pádu, silných nárazech nástroj nenormálně vibrovat, zastavte nástroj a ihned zjistěte příčinu vibrací a rozsah škod. Pokud je nějaká část poškozena, musí se nechat řádně opravit nebo vyměnit pověřeným servisním střediskem.

- Pro snížení nebezpečí spojených s kontaktem s pohyblivými díly vždy zastavte motor, odpojte od zdroje energie nebo odeberte akumulátor a ujistěte se, že se všechny rotující díly zastavily:
 - před čištěním nebo odstraněním ucpávky,
 - je-li ponechán výrobek bez dozoru
 - před demontáží a montáží příslušenství,
 - před kontrolou, čištěním nebo prací na nástroji,
 - po nárazu cizího předmětu; prohlédněte výrobek na poškození
 - pokud stroj začne abnormálně vibrovat (ihned zkontrolujte)

VAROVÁNÍ

Váš fukar lze dodat s popruhy. Popruhy řádně seřídte tak, aby pomáhaly rozdělovat váhu nástroje.

Vyhledejte si jak obsluhovat rychlospojku a naučte se ji používat před první obsluhou nástroje. Její správné používání může zabránit v nouzi vážným poraněním. Nikdy nenoste doplňující oděv přes popruhy nebo jinak neomezujte přístup k rychlospojce.

BEZPEČNOSTNÍ VAROVÁNÍ K FUKARU

- V prašných prostředích noste respirátor pro snížení nebezpečí poranění spojených s vdechováním prachu.
- Trysku fukaru nikdy nesměřujte na osoby ani domácí zvířata.
- Nikdy neumistujte předměty dovnitř trubic fukaru.
- Neprovozujte přístroj v blízkosti otevřených oken.
- V prašných podmínkách povrch lehce navlhčete.





- Používejte trysku fukaru plně nataženou, takže proud vzduchu může pracovat blízko země.
- Neumístujte fukar na smetí nebo blízko rozházeného smetí. Smetí se může dostat do vstupních otvorů, což má za následek možné poškození přístroje.

DOPLŇJÍCÍ BEZPEČNOSTNÍ VAROVÁNÍ - BATERIE

- Přečtěte, pochopte a vždy dodržujte bezpečnostní pokyny dodané k akumulátoru a nabíječe. Nedodržování těchto pokynů může způsobit úraz elektrinou, požár či jiná nebezpečí. Tento návod k používání uložte na bezpečném místě k pozdějšímu nahlížení.
- Nástroje na akumulátory se nepřipojují do elektrické sítě; proto jsou vždy v provozním stavu. Pokud stroj nebudete ihned používat, nevkládejte odpojovací klíč.
- Před prováděním jakékoliv údržby, seřizováním, odstraňováním materiálu nebo před čištěním výrobku vytáhněte akumulátor.
- Neumístujte přístroje na baterie nebo jeho baterie blízko ohně nebo tepla. Tím se sníží riziko výbuchu a možného poranění.
- Baterii nerozebírejte ani nedeformujte. Uniklý elektrolyt je korozivní a může poškozovat oči neb kůži. Může ublížit, spolkně-li se.
- Nevystavujte akumulátor působení vlhkosti a vody. Nástroj na baterie nenabíjejte ve vlhkých ani mokřích prostředích. Tyto pokyny důsledně dodržujte, aby nedošlo ke vzniku požáru, úrazu elektrickým proudem nebo zranění.
- V případě poškození a nesprávného používání baterie mohou unikat výpary. Zajistěte čerstvý vzduch a v případě komplikací vyhledejte lékařskou pomoc. Výpary mohou dráždit dýchací systém.
- Nenechávejte akumulátor v létě ve vozu.
- Baterii nepalte. Pokud akumulátor dosáhl konce své životnosti, řádně jej zlikvidujte dle místních předpisů.
- Za nevhodných podmínek může z baterie vytékat kapalina; zabraňte kontaktu. Pokud dojde k náhodnému kontaktu, omyjte vodou. Pokud kapalina přijde do kontaktu s očima, vyhledejte lékařskou pomoc. Kapalina vytečená z baterie způsobí podráždění nebo popáleniny.

TRANSPORT A SKLADOVÁNÍ

- Před skladováním nebo transportem výrobek vždy zastavte, odpojte od napájení nebo odeberte akumulátor a nechejte vychladnout.
- Odstraňte z výrobku všechny cizí materiál. Ukládejte v chladných, suchých a dobře větraných prostorech, které nejsou přístupné dětem. Nářadí neuskładňujte v blízkosti žiravých látek, jako například v blízkosti zahrádkářských nebo zahradnických chemických přípravků nebo solí na zimní sypaní komunikací. Neskladujte mimo budovu.
- Při transportu nástroj zajistěte proti pohybům nebo pádu, abyste zabránili poranění osob nebo poškození stroje.

ÚDRŽBA

⚠ VAROVÁNÍ

Používejte pouze originální příslušenství, doplňky a náhradní díly výrobce. Zanedbání může zapříčinit možné poranění, slabý výkon a může dojít ke ztrátě záruky.

⚠ VAROVÁNÍ

Údržba vyžaduje extrémní péči a znalosti a měla by být prováděna pouze kvalifikovaným servisním technikem. Pro údržbu nebo servis doporučujeme výrobek vrátit do nejbližšího pověřeného opravárenského střediska. Pokud opravujete, používejte pouze stejné náhradní díly.

- Můžete provádět v návodu k obsluze uvedené opravy a seřízení. Další opravy se smí provádět pouze u pověřených servisních prodejců.
- Po každém použití setřete nástroj měkkým a suchým hadříkem.
- Zkontrolujte všechny šrouby, matice v častých intervalech na řádné utažení, aby se zajistilo, že výrobek bude pracovat v bezpečných pracovních podmínkách. Jákýkoliv poškozený díl je nutné správně opravit nebo nechat vyměnit v autorizovaném servisním středisku.

ZAMÝŠLENÉ POUŽITÍ

Tento výrobek je určen pouze pro venkovní používání.

Tento nástroj není určen pro používání osobami, včetně dětí, pokud jsou jejich fyzické, pohybové nebo mentální schopnosti sníženy.

Nástroje je určen pro odfukování lehkých materiálů, včetně listí, trávy nebo jiného odpadu ze zahrád.

ZBYTKOVÁ RIZIKA

Dokonce, i když se zařízení provozuje jak je předepsáno, je stále nemožné zcela eliminovat veškeré zbytkové rizikové faktory. Následující nebezpečí mohou nastat při používání; vyhýbejte se:

- Poranění způsobené vibracemi. Pro danou práci vždy používejte správný nástroj, navržené rukojeti a dodržujte pracovní dobu a expozici.
- Vystavování hluku může způsobit poškození sluchu. Noste ochranu sluchu a omezte vystavení.
- Nebezpečí poranění odletujícími předměty z fukaru nebo výfuku vysavače, pokud není vak upevněn či je poškozen. Vždy noste adekvátní ochranu zraku.

SNÍŽENÍ RIZIKA

Bylo zjištěno, že vibrace z ručních pracovních nástrojů mohou u některých osob přispívat ke stavu tzv. Raynaud's Syndrome (Raynaudovu syndromu). Mezi jeho příznaky patří brnění, necitlivost a zbledení prstů, patrné obvykle po pobytu v chladu. Vědci se domnívají, že k rozvinutí těchto příznaků přispívají dědičné faktory, pobyt v chladu a vlhku, strava, kouření a pracovní návyky. Uživatel může omezit



případné působení vibrací použitím vhodných opatření:

- Za chladného počasí se teple oblečte. Při práci s nástrojem si navlekněte rukavice, abyste udrželi ruce a zápěstí v teple. Bylo zjištěno, že chladné počasí je hlavním faktorem přispívajícím k Raynaud's Syndrome (Raynaudovu syndromu).
- Během práce si v pravidelných intervalech zacvičte, abyste zvýšili krevní oběh.
- Zařazujte časté pracovní přestávky. Omezte dobu práce za den.

Jakmile pocítíte některý z výše uvedených příznaků tohoto syndromu, okamžitě přerušete práci a vyhledejte lékaře.

VAROVÁNÍ

Poranění mohou být způsobena, či zhoršena, prodlouženým používáním nástroje. Když používáte jakýkoliv nástroj delší dobu, dělejte pravidelně přestávky.

POZNEJTE SVŮJ NÁSTROJ

Viz strana 131.

1. Rukojeť
2. Přidržovač kabelu
3. Spínač On/Off (Zapnuto/Vypnuto)
4. Trubice fukaru
5. Vysokorychlostní tryska
6. Baterie
7. Nabíječka akumulátorů
8. Napájecí kabel

SYMBOLY NA VÝROBKU



Řádně si návod přečtěte, porozumějte veškerým pokynům a dodržujte všechny bezpečnostní pokyny a bezpečnostní varování.



Dávejte pozor na odmrštěné nebo odletující předměty. Všechny přihlízející, zvláště děti a zvířata udržujte ve vzdálenosti alespoň 15 m od pracovní oblasti.



Noste ochranu sluchu



Noste ochranu očí



Nevystavujte dešti nebo nepoužívejte ve vlhkých podmínkách.



Vypnutí: před čištěním nebo údržbou odpojte zástrčku ze zásuvky



Vyndejte ihned zástrčku z elektrické zásuvky, jakmile zjistíte poškození nebo před údržbou.



Toto nářadí je v souladu se všemi normami a předpisy platnými v zemi EU, ve které bylo zakoupeno.



Euroasijská značka shody



Ukrajinská značka shody



Zařízení třídy II, dvojitě izolováno



Odpad elektrických výrobků se nesmí likvidovat v domovním odpadu. Recyklujte prosím na sběrných místech. Ptejte se u místních úřadů nebo prodejce na postup při recyklaci.



Zaručená hladina akustického výkonu je 94 dB.



Napájecí napětí : Baterie (DC 18V)



Napájecí napětí : Elektrická (AC 230V)

IKONY V NÁVODU



Zapojení do elektrické zásuvky



Odpojení od elektrické sítě



POZNÁMKA:



Varování!

Následující signální slova a významy jsou vhodné pro vysvětlení úrovní nebezpečí spojených s tímto výrobkem.

NEBEZPEČÍ

Označuje bezprostředně rizikovou situaci, které je třeba předejít, jinak bude jejím následkem smrt nebo vážné zranění.

VAROVÁNÍ

Označuje možnou rizikovou situaci, které je třeba předejít, jinak jejím následkem může být smrt nebo vážné zranění.

VAROVÁNÍ

Označuje možnou rizikovou situaci, které je třeba předejít, jinak jejím následkem může být smrt nebo vážné zranění.

VAROVÁNÍ

Bez symbolu bezpečnostní výstrahy

Určuje situaci, která může mít za následek vážné poškození.



▲ FIGYELMEZTETÉS

A termék használatakor a biztonsági szabályokat be kell tartani. A saját és mások biztonsága érdekében a termék használata előtt el kell olvasnia és teljesen meg kell értenie ezt az útmutatót. Tartsa meg a kézikönyvet, hátha a későbbiekben szüksége lehet rá.

▲ FIGYELMEZTETÉS

Ezt a terméket nem használhatják gyerekek és korlátozott fizikai, érzékelési vagy mentális képességekkel rendelkező személyek. A gyerekekre oda kell figyelni, nehogy játszanak a termékkel.

GYAKORLÁS

- Figyelmesen olvassa el az utasításokat. Legyen tisztában a termék kezelőszerveivel és helyes használatával.
- Ne hagyja, hogy gyerekek, csökkent fizikai, érzékelési vagy értelmi képességgel rendelkező személyek, vagy akiknek nincs meg a tapasztalatuk és tudásuk ehhez, vagy az utasításokat nem ismerő személyek működtessék, tisztítsák vagy karbantartsák a terméket. A helyi előírások korlátozhatják a kezelő életkorát.
- Jegyezze meg, hogy a kezelő vagy a felhasználó felelős a más embereknek vagy tulajdonuknak okozott veszélyekért vagy balesetekért.
- A nézelődőket, gyerekeket és a háziállatokat tartsa 15 m távolságban a munkaterülettől. Állítsa le a motort, ha bárki belép a területre.

ELŐKÉSZÜLET

- Egyes régiókban olyan előírások érvényesek, amelyek korlátozzák a termék bizonyos műveletekre való használatát. További információért forduljon a helyi önkormányzathoz.
- A termék működtetése közben mindig megfelelő lábbelit és hosszú nadrágot viseljen. Ne használja a gépet mezítláb vagy nyitott szandálban. Kerülje a bő ruha viselését, vagy amelyből zsinórok vagy madzagok lógnak ki; beakadhatnak a mozgó részekbe.
- Ne viseljen laza ruházatot vagy ékszereket, amelyek bekerülhetnek a légbemeneti nyílásba.
- Ha hosszú a haja, azt a vállvonal felett rögzítse, nehogy beakadjon valamilyen mozgó alkatrészekbe.
- A termék használata közben mindig viseljen teljes fülvédőt. Ez a gép nagyon hangos, és maradandó halláskárosodást eredményezhet, ha a kitettség korlátozására, a zaj csökkentésére és a fülvédő használatára vonatkozó előírások nincsenek szigorúan betartva.
- A termék használata közben mindig viseljen teljes szemvédőt. A gyártó kifejezetten javasolja a teljes arcmaszk vagy teljesen zárt védőszemüveg használatát. A normál szemüveg vagy a napszemüveg nem nyújtanak megfelelő védelmet. Az erőteljes légáramlás bármikor nagy sebességgel röpíthet el tárgyakat, amelyek a kemény felületekről visszapatthanak a kezelő felé.

- Minden használat előtt ellenőrizze, hogy az összes kezelőszerv és biztonsági eszköz megfelelően működik. Ne használja a gépet, ha a főkapcsoló nem állítja le a motort.
- Minden használat előtt vizsgálja meg vizuálisan a terméket, hogy a burkolat sérülésmentes és a védőburkolatok és a fogantyúk a helyükön vannak és megfelelően rögzítettek.
- A sérült vagy olvashatatlan címkék cseréjéhez vigye vissza egy hivatalos szervizközpontba.
- Soha ne működtesse a termék hibás védőburkolatokkal vagy védőlemezekkel, illetve biztonsági berendezések, például felhelyezett hulladékgyűjtő nélkül.
- Keep all cooling air inlets clear of debris.
- Fűvés / szívás előtt gereblye és seprű segítségével lazítsa fel a hulladékot.
- A használat előtt tisztítsa meg a munkaterületet. Távolítsa el minden tárgyat, úgymint köveket, törött üvegeket, szegeket, drótdarabokat és szálakat, amelyeket a nagysebességű levegő jelentős távolságra fújhat el.

ÁLTALÁNOS BIZTONSÁGI FIGYELMEZTETÉSEK

▲ FIGYELMEZTETÉS

Olvassa el az összes biztonsági figyelmeztetést és útmutatót. A figyelmeztetések és utasítások be nem tartása elektromos áramütést, tüzet és/vagy súlyos sérülést eredményezhet.

Save all warnings and instructions for future reference.

A figyelmeztetésekben a „szerszámgép” kifejezés az elektromos hálózatról (kábelrel) működtetett vagy akkumulátorról (kábel nélkül) működtetett gépet jelenti.

MUNKATERÜLET

- **A munkaterületet tartsa tisztán és jól megvilágítva.** A rendetlen vagy sötét munkaterületek balesetekhez vezethetnek.
- **Az elektromos szerszámgépeket ne működtesse robbanásveszélyes környezetben, mint például robbanásveszélyes folyadékok, gázok vagy porok jelenlétében.** Az elektromos gépekben szikrák keletkeznek, amik begyűjthetik a port vagy a gőzöket.
- **Az elektromos szerszámgép használatakor a gyerekeket és a kívülről tartsa távol.** A figyelem elterelődése az irányítás elvesztését okozhatja.

ELEKTROMOS BIZTONSÁG

- **A szerszámgép dugaszának illeszkednie kell az aljzathoz. Semmilyen módon ne módosítsa a dugaszt. A földelt elektromos gépekhez ne használjon adapter dugaszt.** A nem módosított és illeszkedő dugasz csökkenti az áramütés kockázatát.
- **Kerülje az érintkezést földelt felületekkel, mint például csövekkel, radiátorokkal és hűtőkkel.** Megnöveli az áramütés kockázatát, ha a teste földeltté válik.
- **Ne tegye ki a terméket esőnek vagy nedves**





környezet hatásának. A szerszámgépekbe kerülő víz növeli az áramütés kockázatát.

- **Ne rongálja meg a kábelt.** A szerszámgép kábelét soha ne használja a szerszám hordozására, húzására vagy kihúzására. A kábelt hőtől, olajtól, éles tárgyaktól vagy mozgó alkatrészekről tartsa távol. A sérült vagy beakadt kábelek növelik az áramütés kockázatát.
- **Szerszámgépnek a szabadban való működtetésekor kültéri használatra is megfelelő hosszabbító kábelt használjon.** Kültéri használatra megfelelő hosszabbító kábel csökkenti az áramütés kockázatát.
- **Ha a szerszámgép használata nedves környezetben elkerülhetetlen, használjon áram-védőkacsolót (RCD).** Az RCD használata csökkenti az áramütés kockázatát.

SZEMÉLYI BIZTONSÁG

- **Elektromos szerszámgép működtetésekor legyen mindig éber, figyeljen arra, amit csinál, és használja a józan esztét.** Ne használja a szerszámgépet, ha fáradt vagy alkohol, gyógyszer illetve más tudatmódosító szerek hatása alatt áll. A gép használata közben már egyetlen figyelmen kívül maradt pillanat is súlyos személyi sérüléshez vezethet.
- **Használjon személyi védelmi eszközöket.** Mindig viseljen védőszemüveget. A védelmi felszerelések, mint például a pormaszk, a csúszásmentes biztonsági lábbelik, a védősisak vagy a fülvédő megfelelő használata csökkenti a személyi sérüléseket.
- **Kerülje el a véletlen bekapcsolást.** A szerszám szállítása vagy felemelése, az áramellátás és/vagy akkumulátor csatlakoztatása előtt ellenőrizze, hogy a kapcsoló kikapcsolt állásban van. Szerszámgépek szállítása a kapcsolón tartott ujjal vagy bekapcsolt szerszámgépek áram alá helyezése balesetekhez vezet.
- **A szerszámgépről bekapcsolás előtt távolítsa el minden beállító kulcsot és csavar kulcsot.** Egy a szerszámgép forgó alkatrészén maradt beállító kulcs vagy csavar kulcs személyi sérülést eredményezhet.
- **Ne hajoljon ki túlságosan.** Mindig tartson megfelelő testtartást és egyensúlyt. Ez a szerszámgép jobb irányítását teszi lehetővé váratlan szituációkban.
- **Viseljen megfelelő ruházatot.** Ne vegyen fel laza ruhát vagy ékszereket. A haját, a ruháit és a kesztyűjét tartsa távol a forgó alkatrészekről. A laza ruházat, ékszerek vagy a hosszú haj beakadhatnak a mozgó alkatrészekbe.
- **Ha a gép el van látva porkivezető vagy -gyűjtő berendezésekhez való csatlakozási lehetőséggel, akkor ügyeljen rá, hogy ezeket csatlakoztassák és megfelelően használják.** A porfogó használata csökkentheti a porral kapcsolatos veszélyeket.

A SZERSZÁMGÉP HASZNÁLATA ÉS KARBANTARTÁSA

- **Ne erőltesse a terméket. A feladathoz a megfelelő szerszámgépet használja.** A megfelelő szerszámgép jobb teljesítménnyel és sokkal biztonságosabban fog dolgozni olyan körülmények között, amilyenekre azt

tervezték.

- **Ne használja a szerszámgépet, ha a kapcsoló nem kapcsol és ki.** Bármilyen szerszámgép veszélyes, amit a kapcsolóval nem lehet irányítani, ezért azt meg kell javítani.
- **Bármilyen beállítás, tartozékcseré elvégzése vagy a szerszámgép tárolása előtt húzza ki a szerszámgépet a hálózatról és/vagy vegye ki az akkumulátort a szerszámgépből.** Az ilyen megelőző biztonsági óvintézkedések csökkentik a szerszámgép véletlen bekapcsolódásának kockázatát.
- **A használaton kívüli gépet gyerekek számára nem elérhető helyen tárolja, és ne hagyja, hogy a szerszámgépet vagy a kézikönyvet nem ismerő személyek használják a szerszámgépet.** Gyakorlatlan felhasználók kezében a szerszámgépek veszélyesek.
- **Tartsa megfelelő állapotban a szerszámgépeket.** Ellenőrizze a mozgó alkatrészek akadását vagy helytelen beállítását, az alkatrészek törését és minden más körülményt, ami hatással lehet a szerszámgép működésére. Ha sérült, a szerszámgépet használat előtt meg kell javítani. Sok balesetet a rosszul karbantartott szerszámgépek okoznak.
- **A vágószerszámok legyenek élesek és tiszták.** A megfelelően karbantartott, éles vágóélű vágószerszámok kevésbé akadnak be és könnyebben irányíthatók.
- **A szerszámgépet, a tartozékokat és a biteket stb. ezen utasításban leírtaknak megfelelően használja, figyelembe véve a munkakörülményeket és az elvégzendő feladatot.** A szerszámgép rendeltetéstől eltérő műveletekre való használata veszélyes helyzeteket eredményezhet.

AKKUMULÁTOROS SZERSZÁMGÉP HASZNÁLATA ÉS KARBANTARTÁSA

- **Csak a gyártó által megadott töltővel töltsen az akkumulátorokat.** Egy adott akkumulátortípushoz való töltő egy másik típusú akkumulátorral való használata tűzveszélyes lehet.
- **A szerszámokat csak a hozzájuk való akkumulátorokkal üzemeltesse.** Más akkumulátorok használata tűzveszélyes lehet, és sérüléseket okozhat.
- **Az akkumulátort használaton kívül tartsa távol más fém tárgyaktól, úgymint gemkapcsoktól, érméktől, kulcsoktól, szögektől, csavaroktól vagy más kisméretű fém tárgyaktól, amelyek rövidre zárhatják a két érintkezőt.** Az akkumulátor érintkezőinek rövidre zárása tüzet vagy égéseket okozhat.
- **Nem megfelelő körülmények esetén folyadék távozhat az akkumulátorból, kerülje az azzal való érintkezést.** Ha mégis érintkezik vele, öblítse le vízzel. Ha a folyadék szembe kerül, forduljon orvoshoz. Az akkumulátorból kifolyt folyadék irritációt vagy égéseket okozhat.

KARBANTARTÁS

- **A szerszámgépet csak szakképzett szervizszakemberrel szervizeltesse, csak azonos**



cserealkatrészeket használva. Ez biztosítja, hogy a szerszám gép használata továbbra is biztonságos legyen.

TOVÁBBI BIZTONSÁGI FIGYELMEZTETÉSEK

- Kerülje el a véletlen bekapcsolást. A termék elektromos hálózatra való csatlakoztatása előtt mindig ellenőrizze, hogy a kapcsoló kikapcsolt állásban van. Az elektromos hálózatra kapcsolt terméket ne szállítsa úgy, hogy az ujjja a kapcsolón van.
- Ne tegye ki a terméket esőnek vagy nedves környezet hatásának. A készülékbe bejutó víz növeli az áramütés kockázatát.
- A készüléket egy 30 mA-nél nem nagyobb kioldóáramú áram-védőkapcsolóval (RCD) kell felszerelni.
- Minden használat előtt sérülés tekintetében vizsgálja át a tápkábelt. Ha sérülés jelei látszanak, hivatalos szervizközpontban kell kicseréltetni. Használatkor mindig tekerje szét a tápkábelt, a feltekert kábelek túlhevülhetnek.
- Ha hosszabbító kábelt kell használnia, ügyeljen arra, hogy az kültéri használatra alkalmas és a gép meghajtásához elégséges teljesítményű legyen. A hosszabbító kábelnek „H05 RN-F” vagy „H05 VV-F” jelöléssel kell rendelkeznie. Sérülés tekintetében minden használat előtt vizsgálja meg a hosszabbító kábelt. Használatkor mindig tekerje szét a hosszabbító kábelt, mert a feltekert kábelek túlhevülhetnek. A sérült hosszabbító kábeleket tilos megjavítani, azokat azonos típusúra kell kicserélni.
- Ügyeljen rá, hogy a tápkábel úgy legyen elvezetve, hogy arra ne lépjenek rá, ne botoljanak el benne, és más módon se károsítsák vagy feszítsék meg.
- Ne fogja meg és ne szállítsa a terméket az elektromos kábelnél fogva.
- A hálózatról való leválasztásakor soha ne a tápkábelt húzza.
- Hőtől, olajtól és éles szélektől tartsa távol a tápkábelt.
- A kábelt mindig a termék mögött vezesse el.
- Ellenőrizze, hogy a hálózati feszültség megfelelő a termékhez. A termék működési feszültsége az adattáblán van feltüntetve. A terméket ne csatlakoztassa olyan váltóáramú feszültséghez, amely különbözik ettől a feszültségtől.
- Ügyeljen rá, hogy áramtalanítás vagy az akkumulátor eltávolítása előtt a kapcsolót mindig állítsa kikapcsolt állásba.

HASZNÁLAT

- Ha használat közben a tápkábel megsérült, azonnal húzza ki a tápkábelt az elektromos hálózati aljzattól. **Az elektromos hálózatról való leválasztás előtt ne érjen a kábelhez.** Ne használja a gépet, ha a tápkábel károsodott vagy elhasználódott.
- Csak a nappali órákban használja a gépet – ne korán reggel vagy késő este, amikor megzavarhatja mások nyugalalmát.
- Soha ne működtesse a terméket robbanásveszélyes környezetben.
- Kerülje a termék használatát rossz időjárási feltételek

mellett, különösen villámlás esetén.

- Ne használja a gépet gyenge megvilágítás esetén. A kezelőnek tiszta rálátással kell rendelkeznie a munkaterületre, hogy azonosíthassa a potenciális veszélyeket.
- Fülvédő viseletek csak korlátozottan hallja a figyelmeztetéseket (riasztást vagy kiáltást). A kezelőnek jobban oda kell figyelnie arra, hogy mi folyik a munkaterületen.
- Ne zaklassa fel magát, és mindig arra koncentráljon, amit csinál. Körültekintően mérlegeljen, és vegye figyelembe a tettei hatásait.
- Hasonló gépek egymás közelében történő használata növeli a halláskárosodás veszélyét, valamint annak veszélyét, hogy más személyek lépnek be az Ön munkaterületére.
- Stabílan álljon és vegyen fel megfelelő egyensúlyt. Ne hajoljon ki túlságosan. A túlzott kihajlás egyensúlyvesztést eredményezhet.
- Mindig biztosan támaszkodjon meg a lejtőkön, és sétáljon, ne szaladjon.
- A tesztszeit tartsa távol a mozgó alkatrészekről. A forgó propeller lapátjai komoly sérülést okozhatnak.
- Soha ne működtesse a gépet megfelelően felszerelt tartozékok nélkül. Fűvógépként használva mindig szerelje fel a fűvócsöveket.
- Semmilyen módon ne módosítsa a gépet vagy használjon a gyártó által nem ajánlott alkatrészeket és tartozékokat.

FIGYELMEZTÉS

Ha a gép leesett, erős ütést kapott vagy rendellenesen kezd vibrálni, azonnal állítsa le a gépet, és vizsgálja át sérülések tekintetében vagy azonosítsa a vibráció okát. Minden sérülést hivatalos szervizközpontban kell megjavítani vagy kicseréltetni.

- A forgó alkatrészekkel való érintkezés okozta sérülések veszélyének csökkentése érdekében mindig állítsa le a terméket, válassa le a hálózatról vagy vegye ki az akkumulátort, és ellenőrizze, hogy minden mozgó rész megállt:
 - tisztítás vagy eltömődés megszüntetése előtt
 - a termék felügyelet nélkül hagyása esetén
 - mielőtt felszerelné vagy eltávolítaná a tartozékokat
 - ellenőrzés, karbantartás vagy a gépen végzett bármilyen művelet megkezdése előtt
 - egy idegen tárgy eltalálása után sérülés tekintetében vizsgálja át a terméket
 - ha a gép szokatlanul kezd rezegni (ellenőrizze azonnal).



▲ FIGYELMEZTETÉS

Előfordulhat, hogy fűvógép egy hevederrel van szállítva. Pontosan állítsa be a hevedert, hogy kényelmesen segítse a termék súlyának megtámasztását.

Keresse meg a gyorskioldó mechanizmust, és gyakorolja be a használatát, mielőtt elkezdené használni a gépet. A helyes használat megakadályozhatja a súlyos sérüléseket vészhelyzetben. Ne viseljen további ruházatot a hevederen felül, és ne korlátozza más módon a gyorskioldó mechanizmushoz való hozzáférést.

FŰVÓGÉP BIZTONSÁGI FIGYELMEZTETÉSEK

- Poros körülmények között viseljen arcmaszkot, hogy csökkentsse a por beszívásából eredő sérülések veszélyét.
- Ne irányítsa a fűvógépet közvetlenül emberekre vagy háziállatokra.
- Soha ne tegyen semmilyen tárgyat a fűvócsövek belsejébe.
- Ne működtesse a gépet nyitott ablak közelében.
- Poros körülmények között enyhén nedvesítse be a felületet.
- A teljes fűvógépcső-hosszabbítót használja, hogy a légáram csak közvetlenül a talaj felett jusson ki a csőből.
- Ne tegye a fűvógépet laza hulladék tetejére vagy mellé. A hulladék bekerülhet a légbeömlő nyílásaiba, ami a berendezés súlyos károsodását eredményezheti.

TOVÁBBI BIZTONSÁGI FIGYELMEZTETÉSEK - AKKUMULÁTOR

- Olvassa el, értse meg és mindig tartsa be az akkumulátorhoz és a töltőhöz mellékelt biztonsági előírásokat. Ennek elmulasztása áramütést, tüzet vagy más veszélyes szituációkat eredményezhet. A jövőbeni felhasználásra az összes útmutatót tartsa együtt, biztonságos helyen.
- Az akkumulátoros szerszámokat nem kell az elektromos hálózathoz csatlakoztatni, így mindig készen állnak a használatra. Ha a gépet nem fogja azonnal használni, akkor ne helyezze be az áramtalanító kulcsot.
- Bármilyen beállítás, tisztítás vagy anyag gépből történő eltávolítás előtt vegye ki az akkumulátort a gépből.
- Az akkumulátoros termékeket vagy az akkumulátort ne tegye tűz vagy hőforrás közelébe. Ezzel csökkenti a robbanás és az esetleges sérülés kockázatát.
- Ne nyissa fel és ne módosítsa az akkumulátort. A kifolyt elektrolit korródáló, és a szem vagy a bőr sérülését okozhatja. Belélegzőskor mérgező lehet.
- Óvja az akkumulátort a nedvességtől és a víztől. Az akkumulátort ne töltsen nedves vagy vizes helyeken. Ezen előírás betartása jelentősen csökkenti a tűz-, az áramütés- és a testi sérüléssel járó balesetek veszélyét.
- Az akkumulátor károsodásakor és helytelen használata esetén gőz szabadulhat ki. Biztonságtól friss levegőt, és panasz esetén forduljon orvoshoz. A gőz irritálhatja a légzőrendszert.
- Ne hagyja az akkumulátort nyáron a kocsiban.

- Ne égesse el az akkumulátort. Amikor az akkumulátor élettartamának végére ért, megfelelően, a helyi előírások szerint semmisítse meg.
- Nem megfelelő körülmények esetén folyadék távozhat az akkumulátorból, kerülje az azzal való érintkezést. Ha mégis érintkezik vele, öblítse le vízzel. Ha a folyadék szembe kerül, forduljon orvoshoz. Az akkumulátorból kifolyt folyadék irritációt vagy égéseket okozhat.

SZÁLLÍTÁS ÉS TÁROLÁS

- Szállítás vagy tárolás előtt állítsa le a terméket, csatlakoztassa le a hálózatról vagy vegye ki az akkumulátort, és hagyja lehűlni a gépet.
- Minden idegen anyagtól tisztítsa meg a terméket. Hűvös, száraz és jól szellőztetett, gyerekektől elzárt helyiségben tárolja. Ne tárolja olyan oxidálószeres közelében, mint pl. kerti munkáknál használatos vegyszerek vagy jégmentesítő sók. Ne tárolja a szabadban.
- Szállításkor rögzítse a gépet elmozdulás és leesés ellen, hogy elkerülje a sérüléseket és az anyagi kárt.

KARBANTARTÁS

▲ FIGYELMEZTETÉS

Csak a gyártó eredeti cserealkatrészeit, tartozékait és szereléseit használja. Ennek figyelmen kívül hagyása gyenge motorteljesítményt, esetleges sérülést és a jótállás elvesztését okozhatja.

▲ FIGYELMEZTETÉS

szervizelés különös figyelmet és hozzáértést igényel, és csak szakképzett szerelő végezheti el. Javasoljuk, hogy a szervizeléskor a terméket vigye a legközelebbi hivatalos szervizközpontba javítás céljából. Szervizeléskor csak azonos cserealkatrészeket használjon.

- A használati útmutatóban leírt beállításokat és javításokat Ön is elvégezheti. Az egyéb javításokhoz vegye fel a kapcsolatot a hivatalos szervizzel.
- Minden egyes használat után egy puha, száraz ruhával tisztítsa meg a terméket.
- Gyakori időközönként ellenőrizze a csavaranyák, csavarok és fejescsavarok megfelelő meghúzását, hogy a termék biztonságos üzemi állapotban legyen. A sérült alkatrészeket egy hivatalos szervizközpontban kell megjavíttatni vagy kicseréltetni.

RENDELTESSZERŰ HASZNÁLAT

A termék kizárólag a szabadban használható.

Ezt a terméket nem használhatják gyerekek és korlátozott fizikai, érzékelési vagy mentális képességekkel rendelkező személyek.

A termék könnyű hulladék, például levelek, fű vagy más kerti hulladék elfújására szolgál.



FENNMARADÓ KOCKÁZAT

Még a gép rendeltetésszerű használata esetén sem lehet teljesen kiküszöbölni minden kockázati tényezőt. A gép használata során a következő veszélyek merülhetnek fel, és a kezelőnek különösen oda kell figyelnie az alábbiak elkerülésére:

- A vibráció sérüléseket okozhat. Mindig a munkához megfelelő célszerszámot használja, használja a gépre szerelt fogantyúkat, és korlátozza a munkaidőt és a vibrációnak való kitettséget.
- A zajnak való kitettség halláskárosodást okozhat. Viseljen hallásvédőt és korlátozza a zajnak való kitettséget.
- Sérülést okozhatnak a fúvócső légárama által elfújtt vagy a porszívóból kiáramló levegője miatt kirepülő tárgyak, ha a zsák nincs felhelyezve vagy sérült. Mindig viseljen megfelelő szemvédőt.

KOCKÁZATCSÖKKENTÉS

Arról számoltak be, hogy a kéziszerszámok használata során fellépő vibráció bizonyos személyeknél hozzájárulhat az úgynevezett Raynaud-szindróma (Raynaud's Syndrome) nevű állapot kialakulásához. A tünetei lehetnek: az ujjak zsibbadása, elfehéredése, szúrások érzése, amelyek hidegnek kitéve gyakran felerősödnek. Az örökítő tényezők, a hidegnek kitettség és verejtékezés, a diéta, a dohányzás és munka közben alkalmazott fogások valószínűleg mind hozzájárulhatnak ezen tünetek megjelenéséhez. A vibráció hatásainak csökkentése érdekében a kezelőnek be kell tartani az alábbi óvintézkedéseket:

- Hideg időben tartsa melegen a testét. A gép használatakor viseljen kesztyűt a kéz és a csukló melegen tartásához. Arról számoltak be, hogy a hideg időjárásnak fontos szerepe van a Raynaud-szindróma kialakulásában.
- Bizonyos időtartamú használat után mindig végezzen gyakorlatokat a vérkeringés javításához.
- Gyakran tartson munkaszünetet. Korlátozza a napi munkaidőt.

Ha ezen állapot bármelyik tünetét tapasztalja, azonnal hagyja abba a munkát, és tájékoztassa az orvosát a tünetekről.

▲ FIGYELMEZTETÉS

Injuries may be caused, or aggravated, by prolonged use of a tool. Ha a gépet hosszú időn át kell használnia, tartson gyakran szünetet.

ISMERJE MEG A TERMÉKET

Lásd 131. oldal.

1. Fogantyú
2. Kábeltartó
3. Be/ki kapcsoló
4. Fúvógép csője
5. Nagyfordulatú fúvófej
6. Akkumulátor

7. Akkumulátortöltő

8. Tápkábel

SZIMBÓLUMOK A TERMÉKEN



A termék használata előtt olvassa el és értsze meg a kezelési útmutatóban leírtakat, és tartsa be az összes figyelmeztető és biztonsági utasítást.



Figyeljen a kivetett vagy repülő tárgyra. Az nézelődők (különösen a gyerekek és a háziállatok) legyenek legalább 15 m-es távolságra a használati területtől.



Viseljen fülvédőt



Viseljen védőszemüveget



Ne tegye ki esőnek, és ne használja nedves környezetben.



Kikapcsolás: tisztítás vagy karbantartás előtt húzza ki a dugaszt a hálózatból



Karbantartás előtt vagy sérülése, illetve átvágása esetén azonnal húzza ki a tápkábelt az elektromos hálózatból.



Ez a szerszám minden, a vásárlás európai uniós országában hatályos szabványnak megfelel.



Eurázsiai megfelelőségi jelzés.



Ukrainai megfelelőségi nyilatkozat



Class II gép, kettős szigetelés



A kiselejtezett elektromos termékeket nem szabad a háztartási hulladékkal együtt kidobni. Ezeket újra kell hasznosítani, ha van rá lehetőség. Az újrahasznosítással kapcsolatban érdeklődjön a helyi önkormányzatnál vagy a termék forgalmazójánál.



Garantált hangteljesítményszint: 94 dB.







Áramellátás : Akkumulátor (Egyenáram 18V)



Áramellátás : Elektromos (Váltakozó áram 230V)

IKONOK A KÉZIKÖNYVBEN

-  Csatlakoztassa egy elektromos hálózati aljzathoz
-  Húzza ki az elektromos hálózati aljzathól
-  MEGJEGYZÉS:
-  Figyelmeztetés!

A következő jelölőszavak és jelentések arra szolgálnak, hogy megmagyarázzák a termékkel kapcsolatos veszélyességi szinteket.

⚠ VESZÉLY
Egy bekövetkező veszélyes helyzetet jelez, ami, ha nem előzik meg, halált vagy komoly sérülést eredményez.

⚠ FIGYELMEZTETÉS
Egy potenciálisan bekövetkező veszélyes helyzetet jelez, amit, ha nem előznek meg, halált vagy komoly sérülést eredményezhet.

⚠ FIGYELEMFELHÍVÁS
Egy potenciálisan veszélyes helyzetet jelez, ami, ha nem előzik meg, kisebb vagy mérsékelt sérülést eredményezhet.

FIGYELEMFELHÍVÁS
Biztonsági figyelmeztető szimbólum nélkül
Egy olyan helyzetet jelez, ami anyagi kárt eredményezhet.

⚠️ AVERTISMENT

Atunci când utilizează produsul, normele de siguranță trebuie să fie respectate. Pentru siguranța dvs și a trecătorilor, trebuie să citiți și să înțelegeți pe deplin aceste instrucțiuni înainte de a opera produsul. Vă rugăm să păstrați instrucțiunile într-un loc sigur pentru utilizare ulterioară.

⚠️ AVERTISMENT

Produsul nu este destinat a fi folosit de către copii sau persoane cu capacități fizice, mintale reduse sau senzoriale reduse. Copiii trebuie să fie supravegheați adecvat pentru a vă asigura că nu se joacă cu produsul.

INSTRUIRE

- Citiți instrucțiunile cu atenție. Familiarizați-vă cu comenzile și folosirea corectă a produsului.
- Nu lăsați niciodată copiii, persoanele cu capacități fizice, senzoriale sau mintale reduse sau cu lipsă de experiență și cunoștințe sau persoanele nefamiliarizate cu aceste instrucțiuni să folosească produsul. Reglementările locale pot restricționa vârsta operatorului.
- Rețineți că operatorul sau utilizatorul este responsabil pentru accidentele sau pericolele ce pot avea loc asupra altor persoane sau proprietății lor.
- Țineți trecătorii, copiii și animalele de companie la 15 metri depărtare de zona de operare. Opriti mașina dacă cineva intră în zonă.

PREGĂTIRE

- Unele regiuni au reglementări care restricționează utilizarea produsului la unele operațiuni. Pentru sfaturi întrebați autoritățile dvs. locale.
- În timpul operării produsului purtați întotdeauna încălțăminte rezistentă și pantaloni lungi. Nu operați mașina când sunteți desculți sau purtați sandale deschise. Evitați purtarea de haine largi sau care au cordoane sau șireturi etc; ele pot fi prinse în părțile în mișcare ale aparatului.
- Nu purtați haine largi sau bijuterii ce pot fi atrase de admisia de aer.
- Strângeți părul lung mai sus de nivelul umerilor pentru a preveni prinderea în orice piese în mișcare.
- Purtați protecție completă pentru auz tot timpul când operați acest produs. Această mașină este extrem de zgomotoasă și ar putea rezulta în surzenie dacă limita de expunere, reducerea zgomotului și purtarea de protecție a auzului nu sunt strict urmate.
- Purtați protecție completă pentru ochi tot timpul când operați acest produs. Producătorul recomandă cu hotărâre folosirea unei măști complete pentru față sau ochelari de protecție cu apărători laterale. Ochelarii normali sau cei de soare nu reprezintă o protecție corespunzătoare. Obiectele pot fi aruncate cu o viteză mare de către jetul puternic de aer în orice moment și pot să ricoșeze din suprafețele tari înspre operator.
- Asigurați-vă că înainte de fiecare folosire toate funcțiile

de control și dispozitivele de siguranță funcționează corect. Nu folosiți produsul dacă întrerupătorul „oprit” nu oprește produsul.

- Înainte de fiecare folosire, inspectați întotdeauna vizual pentru a vedea dacă carcasa nu este deteriorată și că apărătorii și mânerul sunt la locul lor și prinse corespunzător.
- Returnați produsul la un service autorizat pentru a înlocui etichetele deteriorate sau ilizibile.
- Nu operați niciodată produsul cu apărătorii sau dispozitivele de protecție defecte, sau fără ele, de exemplu fără colectorul de resturi la locul său.
- Țineți toate orificiile de intrare a aerului de răcire departe de moloz.
- Folosiți greble sau mătură pentru a slăbi resturile înainte de operațiunea de suflare/aspirare.
- Eliberați zona de lucru înainte de fiecare utilizare. Îndepărtați toate obiectele precum pietre, sticlă spartă, cuie, fire electrice sau fire ce pot fi aruncate la o distanță considerabilă de către aerul cu viteză mare.

AVERTISMENTE GENERALE PRIVIND SIGURANȚA

⚠️ AVERTISMENT

Citiți toate avertismentele și instrucțiunile de siguranță. Nerespectarea acestor avertismente și instrucțiuni poate conduce la șocuri electrice, incendii și/ sau accidente grave.

Save all warnings and instructions for future reference.

Termenul de „unealtă electrică” folosit în avertismente se referă la uneltele electrice alimentate de la rețea (cu cablu) sau cu acumulator (fără cablu).

MEDIUL DE LUCRU

- **Mențineți curată și bine iluminată zona de lucru.** Zona de dezordonate și întunecate prezintă pericol de accidente.
- **Nu operați cu unealta electrică în atmosfere explozive, precum în prezența lichidelor, gazelor sau a prafului inflamabil(e).** Uneltele electrice creează scântei care pot aprinde praful sau vaporii.
- **Țineți copiii și persoanele din jur la distanță în timpul operării unei unelte electrice.** Distragerea atenției vă poate face să pierdeți controlul.

SIGURANȚĂ ELECTRICĂ

- **Ștecărele uneltelor electrice trebuie să se potrivească cu priza. Nu modificați niciodată ștecărul în nici un fel. Nu folosiți niciodată adaptoare de șteacăre cu uneltele electrice cu împământare.** Ștecărele nemodificate și prizele potrivite reduc riscul de electrocutare.
- **Evitați contactul corpului cu suprafețele conectate la împământare, precum țevi, radiatoare, reșouri, mașini de gătit și frigider.** Există un risc crescut de electrocutare când corpul dumneavoastră are contact cu împământarea.



- **Nu expuneți acest produs la ploaie sau condiții de umiditate.** Apa care intră într-o unealtă electrică va crește riscul de electrocutare.
- **Nu forțați cablul.** Nu trageți niciodată unealta electrică de cablul de alimentare pentru a o transporta, a o trage sau a scoate ștecărul din priză. Țineți cablul de alimentare departe de căldură, ulei, micii ascuțite sau piese în mișcare. Cablurile deteriorate sau încurcate cresc riscul de electrocutare.
- **Atunci când lucrați cu o unealtă electrică în aer liber, folosiți un prelungitor adecvat pentru utilizarea în aer liber.** Folosirea unui prelungitor adecvat pentru utilizarea în aer liber reduce riscul de electrocutare.
- **În cazul în care operarea unei unelte electrice într-o zonă umedă nu poate fi evitată, folosiți o alimentare protejată cu un dispozitiv de curent rezidual (RCD).** Utilizarea unui RCD reduce riscul de electrocutare.
- **Nu folosiți unealta electrică dacă comutatorul nu o poate porni și opri.** Orice unealtă electrică, care nu poate fi controlată cu comutatorul este periculoasă și trebuie reparată.
- **Deconectați ștecărul de la sursa de alimentare și / sau acumulatorul de la unealta electrică înainte de a efectua orice reglaje, a schimba accesorii sau de a stoca uneltele electrice.** Astfel de măsuri preventive de siguranță reduc riscul de pornire accidentală a uneltei electrice.
- **Nu lăsați uneltele electrice la îndemâna copiilor și nu permiteți persoanelor nefamiliarizate cu unealta electrică sau cu aceste instrucțiuni să folosească unealta.** Uneltele electrice sunt periculoase în mâinile utilizatorilor neinstruiți.
- **Întrețineți uneltele electrice.** Verificați alinierea sau lipirea pieselor în mișcare, spargerea pieselor, precum și orice altă stare care poate afecta funcționarea uneltei electrice. Dacă este deteriorată, solicitați repararea uneltei înainte de utilizare. Multe accidente sunt cauzate de unelte electrice întreținute necorespunzător.

SIGURANȚĂ PERSONALĂ

- **Fiți vigilenți, fiți atenți la ceea ce faceți, acționați cu simț practic când operați o unealtă electrică.** Nu folosiți unealta electrică în timp ce sunteți obosit sau sub influența drogurilor, a alcoolului sau a medicamentelor. Un moment de neatenție în timpul operării uneltelor electrice poate cauza vătămare personală gravă.
- **Utilizați echipament personal de protecție.** Purtați întotdeauna ochelari de protecție. Echipamentele de protecție, precum masca de praf, încălțăminte de protecție antiderapantă, casca sau protecția auditivă, folosite în condiții adecvate, vor reduce riscul rănilor.
- **Prevenirea pornirii neintenționate.** Asigurați-vă că comutatorul este în poziția oprit înainte deconectarea la sursa de alimentare și / sau la acumulator, ridicarea sau transportul uneltei. Transportarea uneltelor electrice cu degetul pe comutator sau punerea sub tensiune a uneltelor electrice care au comutatorul în poziția pornit predispune la accidente.
- **Îndepărtați orice cheie de reglare înainte de a porni unealta.** O cheie sau rămasă atașată de o piesă rotativă a uneltei electrice poate cauza vătămări corporale.
- **Nu vă aplecați excesiv.** În timpul operării dispozitivului, păstrați-vă în permanență echilibrul și stabilitatea. Acest lucru permite un mai bun control al uneltei electrice în situații neașteptate.
- **Îmbrăcați-vă corespunzător.** Nu purtați haine largi sau bijuterii. Mențineți părul, hainele și mânușile departe de piesele în mișcare. Hainele largi, bijuteriile sau părul lung pot fi prinse de piesele aflate în mișcare.
- **Dacă sunt prevăzute dispozitive pentru conectarea facilităților de extracție și de colectare a prafului, asigurați-vă că acestea sunt conectate și folosite corect.** Utilizarea colectării prafului poate reduce riscurile legate de praf.
- **Păstrați uneltele de tăiere ascuțite și curate.** Uneltele de tăiere corect întreținute, cu micii de tăiere ascuțite au o probabilitate mai redusă de lipire și sunt mai ușor de controlat.
- **Folosiți unealta electrică, accesoriile și burghiile etc. în conformitate cu aceste instrucțiuni, ținând cont de condițiile de lucru și de lucrarea care urmează să fie efectuată.** Utilizarea uneltei electrice pentru alte operații decât cele preconizate poate duce la situații periculoase.

FOLOSIREA ȘI ÎNTREȚINEREA MAȘINII CU ACUMULATOR

- **Reîncărcați numai cu încărcătorul specificat de producător.** Un încărcător destinat unui anumit tip de acumulator este folosit la încărcarea altor acumulatori există pericolul de incendii.
- **Folosiți uneltele electrice numai cu acumulatorii indicați.** Utilizarea oricărui alți acumulatori poate crea un risc de vătămare și de incendiu.
- **Atunci când acumulatorul nu este în uz, păstrați-l departe de alte obiecte metalice, cum ar fi agrafe de birou, monede, chei, cuie, șuruburi sau alte obiecte metalice mici, care pot face o conexiune de la o bornă la alta.** Scurtcircuitarea bornelor bateriei poate provoca arsuri sau incendii.
- **Ca urmare a folosirii necorespunzătoare, din acumulator se poate scurge lichid; evitați contactul cu acesta.** În cazul unui contact accidental, spălați cu apă. În cazul contactului cu ochii, consultați suplimentar un medicul. Lichidul care iese din acumulator poate provoca iritații sau arsuri.

ÎNȚEȚINERE

- **Solicitați efectuarea lucrărilor de service la unealta dvs. electrică numai de către o persoană calificată în reparații, folosind numai piese de schimb identice.** Acest lucru va garanta că siguranța uneltei electrice este menținută.

FOLOSIREA ȘI ÎNȚEȚINEREA UNELTEI ELECTRICE

- **Nu forțați produsul.** Folosiți unealta electrică corectă pentru aplicație. Unealta electrică corectă va funcționa mai bine și mai sigur la viteza pentru care a fost proiectată.





AVERTIZĂRI SUPLIMENTARE DE SIGURANȚĂ

- Evitați pornirile involuntare. Verificați întotdeauna că întrerupătorul este în poziția Oprit înainte de conectarea produsului la priză electrică. Nu transportați un produs alimentat la priză având degetul pe butonul de pornire.
- Nu expuneți acest produs la ploaie sau condiții de umiditate. Pătrunderea apei în aparat va crește riscul electrocutării.
- Energia electrică trebuie să fie furnizată printr-un dispozitiv pentru curent rezidual (RCD) cu un curent de declanșare de nu mai mult de 30 mA.
- Înainte de fiecare folosire, verificați de defecte cablul de alimentare. Dacă există semne de deteriorare, trebuie înlocuit la un centru service autorizat. Desfășurați întotdeauna cablul de alimentare, cablurile înfășurate pot să se supraîncalzească.
- Dacă e nevoie să folosiți un cablu prelungitor asigurați-vă că este corespunzător pentru uzul în exterior și are o valoare nominală a curentului suficientă să vă alimenteze aparatul. Cablul prelungitor trebuie să fie marcat fie "H05 RN-F", fie "H05 VV-F". Verificați cablul prelungitor să nu fie deteriorat înainte de fiecare folosire. Desfășurați întotdeauna cablul prelungitor în timpul folosirii întrucât cablurile nedesfășurate se pot supraîncălzi. Cablurile prelungitoare deteriorate nu trebuie reparate, ele trebuie înlocuite cu un model echivalent.
- Asigurați-vă că cablul de alimentare este poziționat astfel încât să nu călcați pe el, să nu vă împiedicați de el sau să nu fie expus la deteriorare sau strivire.
- Nu ridicați sau transportați produsul de cablul electric.
- Nu trageți niciodată de cablul de alimentare pentru a deconecta de la sursa de alimentare.
- Păstrați cablul departe de căldură, ulei sau margini ascuțite.
- Direcționați întotdeauna cablul în spate ferit de produs.
- Asigurați-vă că tensiunea este corectă pentru produsul dvs. O etichetă de pe produs indică tensiunea unității. Nu conectați produsul la o tensiune de curent alternativ care diferă de această tensiune.
- Asigurați-vă că întrerupătorul este în poziția OPRIT înainte de deconectarea de la priză sau îndepărtarea bateriei.

UTILIZARE

- Dacă un cablu este deteriorat în timpul utilizării, deconectați cablul de alimentare de la priză imediat. **Nu atingeți cablul electric înainte de deconectarea de la priză electrică.** Do not use the machine if the cord is damaged or worn.
- Operați mașina doar la ore rezonabile - nu dimineața devreme sau seara târziu când lumea ar putea fi deranjată.
- Nu operați niciodată produsul într-un mediu exploziv.
- Evitați folosirea produsului în condiții de vreme rea în special când există risc de fulgere.
- Nu utilizați în condiții de iluminare necorespunzătoare. Operatorul necesită o panoramă clară a zonei de lucru pentru identificarea potențialelor pericole.

- Utilizarea antifoanelor reduce capacitatea de auzi avertismente (alarme sau strigăte). Operatorul trebuie să fie foarte atent la ceea ce se întâmplă în zona de lucru.
- Nu fiți niciodată cu atenția distrasă și concentrați-vă întotdeauna asupra ceea ce faceți. Gândiți-vă și luați în considerare cu atenție efectul acțiunilor dvs.
- Operarea de aparate similare în vecinătate crește atât riscul unei deteriorări a auzului cât și posibilitatea ca alte persoane să intre în zona dvs. de lucru.
- Mențineți sprijin ferm pe picioare și echilibru. Nu vă aplecați excesiv. Aplecarea excesivă poate cauza pierderea echilibrului.
- Asigurați-vă întotdeauna o poziție fermă a picioarelor pe pante, și mergeți întotdeauna, nu fugiți
- Țineți toate părțile corpului la distanță de orice piesă în mișcare. Lamele rotorului în mișcare pot cauza rănirea gravă.
- Nu operați unitatea fără ca echipamentul corespunzător să fie instalate. Atunci când e folosit ca suflantă, instalați întotdeauna tuburile de suflat.
- Nu modificați mașina în niciun fel sau să folosiți părți și accesorii ce nu sunt recomandate de către producător.

⚠ AVERTISMENT

Dacă produsul este scăpat, suferă un impact dur sau începe să vibreze anormal, opriți imediat produsul și inspectați dacă este deteriorat sau identificați cauza vibrației. Orice deteriorare trebuie reparată corespunzător sau înlocuită la un centru service autorizat.

- Pentru a reduce riscul de vătămare asociat cu contactul cu piesele în rotire, opriți întotdeauna produsul, deconectați-l de la priză sau îndepărtați bateria și asigurați-vă că toate piesele în mișcare s-au oprit:
 - înainte curățării sau deblocării înfundării
 - când lăsați produsul nesupravegheat
 - înainte instalării sau îndepărtării accesoriilor
 - înainte verificării, efectuării întreținerii sau utilizării produsului
 - după lovirea unui obiect străin să inspectați produsul să nu fie deteriorat.
 - dacă produsul începe să vibreze anormal (verificați imediat)

⚠ AVERTISMENT

Aparatul Dvs de suflat ar putea fi furnizat cu un ham. Reglați cu atenție hamul pentru a vă ajuta confortabil să susțineți greutatea produsului. Identificați mecanismul de eliberare rapidă și faceți câteva probe înainte de a folosi aparatul. Folosirea corespunzătoare poate preveni vătămarea gravă în cazul unei urgențe. Nu purtați niciodată haine suplimentare peste centură sau în altfel să restricționați accesul la mecanismul de eliberare rapidă.



AVERTIZĂRI DE SIGURANȚĂ A APARATULUI DE SUFLAT.

- În condiții de prezență a prafului, purtați o mască facială prevăzută cu filtru pentru a reduce riscurile asociate cu inhalarea prafului.
- Nu direcționați duza suflantei către persoane sau animale.
- Nu așezați niciodată obiecte în interiorul furtunelor aparatului de suflat.
- Nu folosiți mașina lângă ferestrele deschise.
- Umeziți ușor suprafețele în condiții de praf.
- Folosiți prelungitorul duzelor de suflat pentru ca fluxul de aer să lucreze aproape de sol.
- Nu așezați aparatul de suflat pe sau în vecinătatea resturilor desprinse. Resturile ar putea fi aspirate în orificiul de admisie rezultând în posibila deteriorare a aparatului.

AVERTIZĂRI SUPPLEMENTARE DE SIGURANȚĂ - ACUMULATOR

- Citiți, înțelegeți și urmați întotdeauna instrucțiunile de siguranță ce vin împreună cu acumulatorul și încărcătorul. Neurmarea instrucțiunilor poate rezulta în electrocutare, incendiu sau situații periculoase. Păstrați toate instrucțiunile împreună într-un loc sigur pentru o consultare ulterioară.
- Uneltele cu acumulator nu trebuie conectate la o sursă de curent; de aceea, acestea sunt permanent în stare de funcționare. Dacă mașina nu va fi utilizată imediat, nu introduceți cheia de contact.
- Scoateți acumulatorul înainte de a face orice ajustări, de curățare sau de eliminarea materialului din unitate.
- Nu lăsați produsele cu acumulatori sau acumulatorii acestora în apropierea focului sau a surselor de căldură. Acest lucru va reduce riscul producerii de explozii sau răniri.
- Nu deschideți sau distrugeți bateria. Electrolitul eliberat este coroziv și poate cauza vătămarea ochilor sau a pielii. Poate fi toxic dacă este înghițit.
- Protejați acumulatorul împotriva umezelii și a apei. Nu încărcați unitatea în locuri umede sau ude. Reduceți astfel riscurile de incendiu, de electrocutare și de răniri corporale.
- În caz de deteriorare și de folosire inadecvată a acumulatorului, pot fi emiși vapori. Respirați aer proaspăt și consultați medicul în caz de dureri. Vaporii pot irita sistemul respirator.
- Nu lăsați acumulatorul în vehicul în timpul verii.
- Nu aruncați acumulatorul în foc. Când bateria este peste perioada ei de funcționare, eliminați-o corect în conformitate cu reglementările locale din zona dvs.
- Ca urmare a folosirii necorespunzătoare, din acumulator se poate scurge lichid; evitați contactul cu acesta. În cazul unui contact accidental, spălați cu apă. În cazul contactului cu ochii, consultați suplimentar un medicul. Lichidul care iese din acumulator poate provoca iritații sau arsuri.

TRANSPORTAREA ȘI DEPOZITAREA

- Opriti produsul, deconectați-l de la priză sau îndepărtați bateria și lăsați-l să se răcească înainte de a-l depozita sau transporta.
- Curățați toate materialele străine din produs. Depozitați-l într-un loc răcoros, uscat și bine aerisit ce este inaccesibil copiilor. Nu-l depozitați în apropiere de agenți corozivi cum ar fi produși chimici de grădinarit sau săruri antigel. Nu depozitați în aer liber.
- Pentru transportare, fixați aparatul împotriva mișcării sau căderii pentru a preveni vătămarea persoanelor sau a deteriora aparatul.

ÎNȚREȚINEREA

⚠ AVERTISMENT

Folositi doar piese de schimb, accesorii si atasamente originale ale producatorului. Neurmarea acestora poate cauza posibila vătămare, slaba funcționare și ar putea anula garanția.

⚠ AVERTISMENT

Service-ul necesită atenție și cunoștințe deosebite și trebuie îndeplinit doar de către un tehnician service calificat. Pentru service sugerăm să returnați produsul la cel mai apropiat centru service autorizat pentru efectuarea reparațiilor. Când se efectuează service-ul folosiți doar piese de schimb identice.

- Puteți face reglaje și reparații descrise în acest manual de instrucțiuni. Pentru alte reparații, contactați agentul service autorizat.
- După fiecare folosire curățați produsul cu o cârpă moale și uscată.
- Verificați toate piulițele, suruburile la intervale frecvente de timp ca să fie corespunzător strânse pentru a vă asigura că produsul este în stare de lucru în siguranță. Orice piesă deteriorată trebuie să fie reparată în mod corespunzător sau înlocuită de un service autorizat.

UTILIZARE PREVĂZUTĂ

Acest produs este proiectat doar pentru folosirea în mediul exterior.

Produsul nu este destinat a fi folosit de către copii sau persoane cu capacități fizice, mintale sau senzoriale reduce.

Produsul este proiectat să sufle resturile ușoare precum frunzele, iarba și alte resturi din grădină.

RISURI REZIDUALE

Chiar dacă mașina este folosită conform instrucțiunilor, este totuși imposibil să eliminați complet anumiți factori de risc reziduali. Următoarele pericole pot apărea în timpul folosirii și operatorul trebuie să acorde atenție specială pentru a evita următoarele:

- Vătămare cauzată de vibrație. Folosiți întotdeauna

aparatură potrivit pentru sarcină, folosiți mânerul prevăzute și restricționați timpul de lucru și expunerea.

- Expunerea la zgomot poate cauza vătămarea auzului. Purtați protecție pentru auz și limitați expunerea.
- Vătămarea cauzată de obiectele aruncate de fluxul de aer al furtunului de suflat sau a evacuării aspiratorului dacă sacul nu este prins sau este deteriorat. Purtați protecție pentru ochi adecvată tot timpul.

REDUCEREA RISCULUI

S-a raportat faptul că vibrațiile produse de uneltele manuale pot contribui, la anumite persoane, la o afecțiune denumită Sindromul Raynaud. Simptomele pot include furnicătură, amorțeală și albirea degetelor, care apare, de obicei, după expunerea la frig. Factori ereditari, expunerea la frig și umiditate, dieta, fumatul și practicile de muncă contribuie la dezvoltarea acestor simptome. Există măsurător care pot fi efectuate de către operator pentru a reduce efectele de vibrațiilor:

- Păstrați-vă temperatura corporală ridicată pe vreme rece. Când operați unitatea purtați mănuși pentru a vă menține mâinile și încheieturile la căldură. S-a constatat că vremea rece este un factor major care contribuie la sindromul Raynaud.
- După fiecare perioadă de operare, trebuie făcute exerciții pentru a crește circulația sângelui.
- Trebuie făcute pauze la intervale de timp regulate. Limitați expunerea zilnică.

Dacă sunt experimentate oricare dintre simptomele acestei afecțiuni, trebuie întreruptă utilizarea și consultat un medic.

AVERTISMENT

Pot fi cauzate sau agravate vătămările de la folosirea prelungită a aparatului. Atunci când folosiți o sculă pentru perioade prelungite, asigurați-vă că luați pauze regulate.

CUNOAȘTEȚI-VĂ PRODUSUL

Vezi pagina 131.

1. Mâner
2. Opritur cablu
3. Întrerupător pornire/oprire
4. Tub de suflat
5. Duză de mare viteză
6. Acumulator
7. Încărcător de acumulator
8. Cordon de alimentare

SIMBOLURILE DE PE PRODUS.



Citiți și înțelegeți toate instrucțiunile înainte de operarea produsului, urmați toate avertizările și instrucțiunile de siguranță.



Feriți-vă de obiecte proiectate sau în zbor. Țineți toate persoanele, în special copiii și animalele de companie, la cel puțin 15 m distanță de zona de lucru.



Purtați protecție pentru urechi



Purtați întotdeauna ochelari de protecție



Nu expuneți la ploaie sau umezeală.



Opriti și deconectați de la priză înainte de curățare sau întreținere.



Deconectați fișa de la rețeaua de alimentare cu electricitate imediat înainte de realiza operații de întreținere sau în cazul în care cablul este deteriorat sau tăiat.

Acest aparat este conform cu ansamblul normelor reglementare din țara din UE în care a fost cumpărat.



Marcaj de conformitate EurAsian.



Semn de conformitate ucrainean



Aparat clasa II, izolație dublă.



Deșeurile produselor electrice nu trebuie să fie eliminate împreună cu deșeurile casnice. Vă rugăm să reciclați acolo unde există facilități. Verificați la autoritatea dvs locală sau la vânzător pentru sfaturi privind reciclarea.



Nivelul de putere sonoră garantat este de 94 dB.



Alimentare cu curent : Acumulator (DC 18V)



Alimentare cu curent : Electric (AC 230V)

PICTOGRAME ÎN ACEST MANUAL



Conectarea la priză



Deconectați de la priză



OBSERVAȚIE:



Avertisment!

următoarele cuvinte simbol și înțelesul lor au intenția de a explica nivelele de risc asociate cu acest produs.

⚠ PERICOL

Indică o situație periculoasă iminentă, care dacă nu este evitată va cauza decesul sau vătămarea gravă.

⚠ AVERTISMENT

Indică o situație periculoasă iminentă, care dacă nu este evitată poate rezulta în deces sau vătămare gravă.

⚠ ATENȚIE

Indică o situație potențial periculoasă, care dacă nu este evitată poate cauza vătămarea moderată sau ușoară.

ATENȚIE

Fără a simbolul de alertă privind siguranța

Indică o situație care poate duce la pagube materiale.

EN
FR
DE
ES
IT
NL
PT
DA
SV
FI
NO
RU
PL
CS
HU
RO
LV
LT
ET
HR
SL
SK
BG

⚠ BRĪDINĀJUMS

Izmantojot ierīci, izpildiet drošības noteikumus. Jūsu un tuvāk stāvošo cilvēku drošībai, pirms ierīces lietošanas jums ir jāizlasa un pilnībā jāsaprot šīs ierīces instrukcijas. Lūdzu, glabājiet noteikumus drošā vietā vēlākai izmantošanai.

⚠ BRĪDINĀJUMS

Ierīce nav paredzēta bērniem vai cilvēkiem ar samazinātām fiziskām, garīgām spējām vai maņu kustību traucējumiem. Nepieciešams pienācīgi uzmanīt bērnus, lai nodrošinātu, ka tie nespēlējas ar ierīci.

APMĀCĪBA

- Uzmanīgi izlasiet norādījumus. Iepazīstieties ar ierīces vadīšanu un pareizu lietošanu.
- Nekad neļaujiet bērniem, cilvēkiem ar samazinātām fiziskajām spējām, maņu vai garīgiem traucējumiem, vai cilvēkiem ar pieredzes un zināšanu trūkumu, vai cilvēkiem, kuri nav iepazinušies ar instrukcijām, izmantot šo ierīci. Vietos jstatymai gali apriboti jrengimo operatoriaus amziu.
- Turēkite omenyje, kad operatorius arba vartotojas yra atsakingas už nelaimingus atsitikimus arba kitiems asmenims ar jų turtui sukeltą pavojų.
- Pārīecinieties, ka tuvāk stāvošie -bēni un dzīvnieki ir 15 m attālumā no jūsu darbošanās vietas. Apturiet mehānismu, ja kāds ienāk darba zonā.

SAGATAVOŠANA

- Dažos reģionos pastāv noteikumi, kas ierobežo darbības, kurām produkts ir izmantojams. Vērsieties pie atbildīgajām amatpersonām pēc padoma.
- Izmantojot ierīci, vienmēr lietojiet atbilstošus apavus un garās bikses. Nestrādājiet ar iekārtu, ja jums ir basas kājas vai valējas sandales. Lietojiet pieguļošu apģērbu vai apģērbu no kura nekas nekarājas; citādi, tie var tikt ierauti zargriezī.
- Nevelciet brīvu apģērbu vai juvelierizstrādājumus, kas var tikt ierauti gaisa ieejā.
- Nostipriniet garus matus virs pleciem, lai nepieļautu to ieķeršanos kustīgās detaļās.
- Ierīces izmantošanas laikā, vienmēr lietojiet ausu aizsargu. Ierīce ir ļoti skaļa un var radīt ilgstošus dzirdes traucējumus, ja neievērosiet drošības pasākumus, lai samazinātu trokšņu ietekmi uz savu dzirdi.
- Ierīces izmantošanas laikā, vienmēr lietojiet pilnu acu aizsargu. Ražotāji obligāti iesaka lietot pilnu sejas masku vai pilnībā noslēgtas aizsargbrilles. Parastās brilles vai saulesbrilles nevar tikt izmantotas aizsardzībai. Jebkurā brīdī gaisa strūkļas var izraisīt priekšmetu lidošanu lielā ātrumā, kā rezultātā tie var atlēkt no cietas virsmas un trāpīt strādniekam.
- Pirms katras lietošanas reizes pārīecinieties, ka visas kontroles un drošības sistēmas ir darba kārtībā. Neizmantojiet ierīci ja izslēgšanas slēdzis neapstādina motoru.

- Pirms katras lietošanas, vienmēr vizuāli pārbaudiet, vai nav bojāts korpuss un, vai aizsargi un rokturi ir savās vietās un ir atbilstoši nodrošināti.
- Ja jāaizstāj sabojātas vai nesalāsams uzlīmes, dodieties uz pilnvarotu servisa centru.
- Nekad neizmantojiet ierīci ar bojātiem aizsargiem vai vairogiem vai arī bez drošības ierīcēm, piemēram, grūžu savācēja.
- Dzesēšanas gaisa ieejas atveres nedrīkst būt aizsērējušas.
- Izmantojiet grābekļus un slotas, lai uzirdinātu darba virsmu pirms pūšanas/sūkšanas.
- Pirms katras izmantošanas attīriet darba zonu. No darba zonas aizvāciet tādu priekšmetus kā akmeņus, stikla lauskas, naglas, vadus, vai auklas, un citus priekšmetus, kas saskarsmē ar liela ātruma gaisa plūsmu var tikt tālu aizpūsti.

VISPĀRĪGIE DROŠĪBAS BRĪDINĀJUMI

⚠ BRĪDINĀJUMS

Izlasiet visus drošības brīdinājumus un norādījumus. Brīdinājumu un norādījumu neizpildīšana var izraisīt elektrisko triecienu, aizdegšanos un/vai smagu ievainojumu.

Save all warnings and instructions for future reference.

Nosaukums "elektroinstrumenti" brīdinājumos attiecas uz jūsu elektrisko (ar vadu) elektroinstrumentu vai ar akumulatoru darbināmo (bez vada) elektroinstrumentu.

DARBA VIETA

- Turiet darba vietu tīru un labi apgaismotu. Pārblīvētas un tumšas vietas izraisa negadījumus.
- Nedarbiniet elektroinstrumentus sprādzienbīstamā vidē, piemēram, degošu šķidrums, gāzu vai putekļu klātbūtnē. Elektroinstrumenti rada dzirksteles, kas var aizdedzināt putekļus vai gāzes.
- Neļaujiet bērniem un blakusstāvētājiem tuvoties darbā esošiem elektroinstrumentiem. Izkļaidības dēļ jūs varat zaudēt kontroli.

ELEKTRODROŠĪBA

- Elektroinstrumenta kontaktdakšai jāatbilst kontaktilgzdai. Nekad nepārveidojiet kontaktdakšu. Sazemētiem elektroinstrumentiem nelietojiet pārējas ligzdas. Nepārveidotas kontaktdakšas un atbilstošas kontaktilgzdas samazinās elektriskā trieciena risku.
- Nepieļaujiet ķermeņa kontaktu ar sazemētām virsmām, piemēram, caurulēm, radiatoriem, pavardiem un saldētavām. Ja jūsu ķermenis ir sazemēts, pastāv palielināts elektriskā trieciena risks.
- Nepakļaujiet šo precī lietum vai slapjiem apstākļiem. Ūdens iekļūšana elektroinstrumentā palielina elektriskā trieciena risku.
- Neizmantojiet kabeli nepareizi. Nekad neizmantojiet vadu, lai nestu, vilktu elektroinstrumentu vai atvienotu kontaktdakšu. Turiet kabeli tālu no siltuma



avota, eļļas, asiem priekšmetiem vai kustīgām detaļām. Bojāts vai savērpts kabelis palielina elektriskā trieciena iespēju.

- Strādājot ar elektroinstrumentu ārpus telpām, lietojiet āra lietošanai piemērotu pagarinātāju. Elektriskā trieciena risku samazina lietošanai ārpus telpām piemērota kabeļa izmantošana.
- Ja elektroinstrumenti ir jālieto mitrās telpās, izmantojiet strāvas noplūdes automātslēdzi (RCD) barošanas vadā. Paliekošās strāvas ierīces izmantošana samazina elektriskā trieciena risku.

PERSONISKĀ DROŠĪBA

- Uzmanieties darba laikā un izmantojiet veselo saprātu, darbojoties ar elektroinstrumentu. Neizmantojiet elektroierīci, ja esat noguris vai narkotisko vielu, alkohola vai medikamentu ietekmē. Neuzmanības brīdis, strādājot ar elektroinstrumentiem, var izraisīt smagus ievainojumus.
- Lietojiet personīgo aizsargaprīkojumu. Vienmēr lietojiet aizsargbrilles. Aizsargaprīkojums, piemēram, putekļu maska, neslīdoši aizsargapavi, aizsargķivere vai ausu aizsargi, kas lietoti atbilstošos apstākļos, samazina personas ievainojumu iespēju.
- Nepieļaujiet nejašu iedarbināšanu. Pirms pievienot enerģijas avotam un/vai akumulatoram, pacelt un pārvietot darbarīku, pārliecinieties, ka slēdzis ir izslēgtā stāvoklī. Elektroinstrumentu pārnēsāšana, turot pirkstu uz slēdža vai ieslēgtu elektroinstrumentu pārnēsāšana var izraisīt nelaimes gadījumu.
- Noņemiet visas regulēšanas uzgriežņu atslēgas pirms elektroierīces ieslēgšanas. Uzgriežņu atslēga vai atslēga, kas palikusi piestiprināta pie elektroinstrumenta rotējošās detaļas, var izraisīt personas ievainojumu.
- Nepersitempkite. Visu laiku stāviet stingri un stabili. Tas ļauj labāk vadīt elektroinstrumentu negaidītās situācijās.
- Apģērbieties pareizi. Nevalkājiet vaļīgu apģērbu vai rotaslietas. Turiet savus matus, apģērbu un cimdus tālu no kustīgām detaļām. Vaļīgs apģērbs, rotaslietas vai gari mati var tikt ierauti starp kustīgām detaļām.
- Ja ierīce ir aprīkota ar putekļu nosūcēja un savācēja pievienojumu, pārliecinieties, ka tas ir pievienots un tiek pareizi lietots. Putekļu savācēja lietošana var samazināt putekļu izraisītos riskus.

ELEKTROINSTRUMENTU LIETOŠANA UN APRŪPE

- Nepielietojiet spēku, izmantojot ražojumu. Izmantojiet savam darbam atbilstošu elektroierīci. Pareizais elektroinstrumenti veiks darbu labāk un drošāk ar ātrumu, kādam ticis konstruēts.
- Nelietojiet elektroinstrumentu, ja ar slēdzi to nevar ieslēgt un izslēgt. Ja elektroinstrumentu nevar vadīt ar slēdzi, tas ir bīstams un jāremontē.
- Atvienojiet kontaktdakšu no enerģijas avota un/vai akumulatoru no elektroinstrumenta pirms veikt jebkādas regulējumus, piederumu maiņu vai novietot glabāšanai elektroinstrumentus. Šādi profilakses pasākumi samazina elektroierīces nejaūšas iedarbināšanas iespēju.

- Glabājiet neizmantotus elektroinstrumentus bērniem nepieejamās vietās un neļaujiet neapmācītām personām darboties ar elektroinstrumentiem. Elektroinstrumenti ir bīstami neapmācītu personu rokās.
- Apkopt elektroinstrumentus. Pārbaudiet kustīgo detaļu savienojumu pareizību, detaļu berzi un citus apstākļus, kas var ietekmēt elektroinstrumenta darbu. Ja elektroinstrumenti ir bojāti, pirms lietošanas veiciet tā remontu. Daudzus negadījumus izraisa slikti apkopti elektroinstrumenti.
- Turiet griezējrikus asus un tīrus. Pareizi apkopti griezējriki instrumenti ar asām griezējšķautnēm retāk pielīp un ir vieglāk vadāmi.
- Izmantojiet elektroierīci, piederumus, darbinstrumentus u.c. saskaņā ar šiem norādījumiem, ņemiet vērā darba apstākļus un veicamo darbu. Elektroinstrumenta izmantošana neparedzētu darbību veikšanai var radīt bīstamu situāciju.

AR AKUMULATORU DARBINĀMU IERĪČU LIETOŠANA UN KOPŠANA

- Uzlādējiet tikai ar ražotāja noteikto lādētāju. Lādētājs, kas paredzēts lietošanai ar viena veida akumulatoru, var būt ugunsbīdīgs, ja to izmanto ar citu akumulatoru.
- Lietojiet elektriskos instrumentus tikai ar konkrētajai ierīcei paredzēto akumulatoru. Jebkura cita akumulatora lietošana var radīt ievainojumu un ugunsgrēka risku.
- Kad nelietojat akumulatoru, neturiet to citu metāla priekšmetu tuvumā, piemēram: papīra saspraudes, monētas, atslēgas, naglas, skrūves vai citi sīki metāla priekšmeti, kas var veidot savienojumu starp spailēm. Akumulatora spaiļu īsslēgums var radīt aizdegšanos vai ugunsgrēku.
- Nepareizas rīcības gadījumā no akumulatora var izkļūt šķidrums; izvairieties no saskares ar to. Nejaūšas saskares gadījumā skalojiet skarto vietu ar ūdeni. Ja šķidrums nokļūst acīs, nepieciešama arī medicīniskā palīdzība. No akumulatora izkļuvušais šķidrums var izraisīt kairinājumu vai apdegumus.

APKOPE

- Vai jūsu elektroinstrumentu apkalpo kvalificēts personāls, izmantojot tikai identiskas rezerves daļas. Tas nodrošinās elektroinstrumenta drošības saglabāšanu.

PAPILDU DROŠĪBAS BRĪDINĀJUMI

- Izvairieties no nejaūšas iedarbināšanas. Pirms pievienojiet iekārtu pie elektrības, vienmēr pārbaudiet, vai ieslēgšanas slēdzis atrodas pozīcijā izslēgts. Nepārnēsiet pieslēgtu izstrādājumu, turot pirkstu uz slēdža.
- Nepakļaujiet šo precī lietu vai slāpjiem apstākļiem. Ūdenim iekļūstot iekārtā, palielināsies risks saņemt elektriskās strāvas triecienu.
- Elektriskā enerģija jāpiegādā caur strāvas noplūdes automātslēdzi (RCD) ar atslēgšanas strāvu, kas

EN
FR
DE
ES
IT
NL
PT
DA
SV
FI
NO
RU
PL
CS
HU
RO
LV
LT
ET
HR
SL
SK
BG



nepārsniedz 30 mA.

- Pirms katras lietošanas reizes pārbaudiet, vai strāvas vads nav bojāts. Ja vērojamas bojājumu pazīmes, bojātā vieta jānomaina pilnvarotā servisa centrā. Lietošanas laikā vienmēr attīniet strāvas vadu, satīti vadi var pārkarst.
- Ja jums ir nepieciešamība lietot pagarinātāja vadu, pārliecinieties, ka tas ir derīgs lietošanai ārā un, ka tam ir atbilstoša jauda, lai spētu ar elektrību nodrošinātu jūsu darbarīku. Pagarinātājauklai ir jābūt apzīmētai ar "H05 RN-F" vai "H05 VV-F" Pirms katras lietošanas, pārbaudiet pagarinātāja vadu, vai tā nav bojāta. Izmantošanas laikā, pilnībā attīniet pagarinātāja vadu, jo satīti pagarinātāja vadi var pārkarst. Bojātu vada pagarinātāju nedrīkst labot, to jānomaina pret līdzvērtīgu.
- Pārliecinieties, ka elektrības vads ir novietots tā, lai neuzkāptu, nepakļūtu uz tā, vai citādi to nepakļautu bojājumam vai slodzei.
- Nekad nepaceliet un nenesiet izstrādājumu aiz elektriskā kabeļa.
- Atvienojot no enerģijas avota, nekad nevelciet aiz elektriskā vada.
- Turiet elektrības vadu prom no siltuma avota, eļļas un asām šķautnēm.
- Kabeli vienmēr turiet aiz ierīces.
- Pārliecinieties, ka spriegums ir atbilstošs izstrādājumam. Ierīces spriegums norādīts uz iekārtas nosaukuma plāksnītes. Nekad nepievienojiet ierīci cita sprieguma vērtības maiņspriegumam.
- Pārliecinieties, ka slēdzis atrodas pozīcijā IZSLĒGTS pirms atvienojat no strāvas padeves vai izņemiet baterijas.

EKSPLOATĀCIJA

- Ja vads lietošanas laikā tiek sabojāts, nekavējoties atvienojiet to no elektrofīkla. **Neaiztieciat vadu pirms neesat atvienojis elektrību.** Nelietojiet iekārtu, ja tās vads ir bojāts vai nodilis.
- Lietojiet ierīci saprātīgās dienas daļās – nelietojiet to agri no rīta vai vēlā naktī, kad jūs varat traucēt citiem cilvēkiem.
- Nelietojiet ierīci apstākļos, kur tā var uzsprāgt.
- Nelietojiet ierīci sliktos laika apstākļos, it īpaši, kad pastāv zibens riski.
- Nelietojiet sliktā apgaismojumā. Lietotājam jābūt pilnai redzamībai pār darba zonu, lai spētu identificēt iespējamus draudus.
- Dzirdes aizsargu lietošana mazinās jūsu spēju dzirdēt brīdinājumus (blāvienus vai skaņas signālus). Operatoram jāpievērš sevišķa uzmanība tam, kas notiek darba zonā.
- Vienmēr koncentrējieties uz to, ko jūs šobrīd darāt. Rūpīgi pārdomājiet un apsveriet savas darbības.
- Līdzīgas ierīces izmantošana tuvumā palielina gan risku sabojāt dzirdi, gan iespēju, ka otrs cilvēks ieies jūsu darba zonā.
- Visada tvirtai stovēkite ir išlaikykite pusiausvyrā. Nepersitempkite. Persitempē galite prarasti

pusiausvyrā.

- Atrodoties uz slīpas virsmas, vienmēr pārliecinieties par stabili kāju stāvokli, un ejiet, nekad neskrīniet.
- Turiet visas ķermeņa daļas tālu no visām kustīgajām detaļām. Rotējošas darbrata lāpstiņas var radīt nopietnas traumas.
- Nedarbiniet iekārtu, ja nav uzstādīts pareizais aprikojums. Ja izmantojiet kā pūtēju, vienmēr uzstādiēt pūšanas caurulī.
- Nepārveidojiet ierīci un nelietojiet detaļas un aksesuārus, kurus nav ieteicies ražotājs.

⚠ BRĪDINĀJUMS

Ja ierīce tiek nomesta, tā ir saskārusies ar smagu triecienu vai tā sāk nevaldāmi vibrēt, nekavējoties izslēdziet ierīci un centieties atrast bojājumu vai arī cēloni šādai vibrācijai. Jebkāda tehniska apkope ir jāveic tikai autorizētos tehniskās apkopes centros.

- Lai samazinātu savainošanās risku, kas saistīts ar rotējošo daļu saskarsmi, vienmēr apturiet precī, atvienojiet no tīkla vai izņemiet baterijas, un pārliecinieties, ka visas kustīgās daļas ir apstājušās:
 - pirms tīrīšanas vai šķēršļu izcīršanas
 - kad atstājat ierīci bez uzraudzības
 - pirms pievienojat vai noņemat piestiprinājumus
 - pirms ierīces pārbaudīšanas, apkopes vai darbināšanas
 - Sazāģējot nezināmu priekšmetu, pārbaudiet, vai ierīce nav bojāta.
 - ja iekārta sāk neparasti vibrēt (pārbaudiet nekavējoties)

⚠ BRĪDINĀJUMS

Jūsu pūtējs var būt aprikots ar iekārtu. Uzmanīgi uzstādiēt drošības jostas, lai palīdzētu ērti atbalstīt ierīces svaru. Identificējiet ātrās atbrīvošanas mehānismu un iemācieties to lietot pirms jūs esat sācis lietot šo ierīci. Šī mehānisma pareiza izmantošana var pasargāt jūs no ievainojumiem ārkārtas gadījumos. Nekad nevelciet citu apģērbu virs turētāja vai jebkādā citā veidā apgrūtiniet piekļuvi ātrās atļaišanas mehānismam.

PŪTĒJA DROŠĪBAS BRĪDINĀJUMI

- Putekļainos apstākļos valkājiet sejas filtra masku, lai mazinātu traumu riskus saistībā ar putekļu ieelpošanu.
- Nevērsiet pūtēja sprauslu cilvēku vai dzīvnieku virzienā.
- Nekādā gadījumā nelieciet priekšmetus pūtēja caurulēs.
- Nedarbiniet mašīnu atvērtu logu tuvumā.
- Putekļainos apstākļos viegli samitriniet virsmas.
- Lietojiet pilnu pūtēja uzgaļa pagarinājumu tā, lai gaisa plūsma var strādāt tuvu zemei.
- Nenovietojiet ierīci uz vai tuvumā priekšmetiem. Tie var tikt iesūkti gaisa padevē un sabojāt ierīci.



PAPILDU DROŠĪBAS BRĪDINĀJUMI - AKUMULATORS

- Izlasiet, izprotiet un vienmēr ievērojiet akumulatora un lādētāja komplektā iekļautos drošības norādījumus. Pretējā gadījumā varat izraisīt elektrošoku, aizdegšanos vai citas bīstamas situācijas. Visas instrukcijas glabājiet drošā vietā turpmākām uzziņām.
- Akumulatora instrumenti nav jāpieslēdz elektrotīklam, tādēļ tie vienmēr ir lietošanas gatavībā. Ievietojiet slēdža atslēgu tikai tad, ja ierīci darbināsiet nekavējoties.
- Izņemiet akumulatoru pirms regulēšanas, tīrīšanas vai objektu izņemšanas no ierīces.
- Nenovietojiet akumulatoru izstrādājumus vai to akumulatorus uguns vai karstuma avotu tuvumā. Tas mazinās eksploziju un traumu risku.
- Neatveriet un neizjauciet akumulatoru. Izliets elektrolīts ir korodējošs un var radīt bojājumus acīm vai ādai. Norijot tas ir toksisks.
- Sargājiet akumulatoru no mitruma un ūdens. Nelādējiet akumulatoru mitrā vietā. Šī noteikuma ievērošana mazinās elektriskā trieciena, aizdegšanās un nopietnu traumu risku.
- Akumulatora bojājuma un nepareizas lietošanas gadījumā var izdalīties tvaiks. Nodrošiniet svaigu gaisu un sūdzību gadījumā lūdziet medicīnisku palīdzību. Tvaiks var kairināt elpošanas sistēmu.
- Vasarā neatstājiet akumulatoru automašīnā.
- Nesadedziniet akumulatoru. Kad akumulators vairs nav lietojams, atbrīvojieties no tā saskaņā ar jūsu reģionā pieņemtajiem noteikumiem.
- Nepareizas rīcības gadījumā no akumulatora var izkļūt šķidrums; izvairieties no saskares ar to. Nejaušas saskares gadījumā skalojiet skarto vietu ar ūdeni. Ja šķidrums nokļūst acīs, nepieciešama arī medicīniskā palīdzība. No akumulatora izkļuvušais šķidrums var izraisīt kairinājumu vai apdegumus.

TRANSPORTĒŠANA UN UZGLABĀŠANA

- Apturiet precī, atvienojiet no tīkla vai izņemiet baterijas, un atļaujiet tai atdzist pirms noglabāšanas vai transportēšanas.
- Notīriet visus svešķermeņus no izstrādājuma. Uzglabājiet to vēsā, sausā un labi vēdinātā vietā, kurai nevar piekļūt bērni. Neglabājiet to vietā, kur tuvumā atrodas korozīvas vielas, piemēram dārza darbos izmantojamas ķīmikālijas vai atsalīdzināšanai domāta sāls. Neuzglabājiet ārpus telpām.
- Transportēšanas laikā nostipriniet iekārtu tā, lai tā nevarētu kustēties vai apkrīst, lai izvairītos no personu ievainošanas un iekārtas bojāšanas.

APKOPE

BRĪDINĀJUMS

Lietojiet tikai oriģinālās ražotāja rezerves daļas, piederumus un uzgaļus. Pretējā gadījumā var tikt radīti ievainojumi un parādīts slikts sniegums, kā arī var tikt anulēta garantija.

BRĪDINĀJUMS

Aptarnavimā atlikti būtina itin atdīžiai, todēl rekomenduojuame, kad tehninei apzīūrai vykdytų kvalifikuotas specialistas. Techninei apzīūrai atlikti patariame gražinti prietaisą į artimiausią įgaliotą paslaugų teikimo tarnybą. Sugedusias detales keiskite tik originaliomis detalėmis.

- Daudzus šajā lietotāja rokasgrāmatā aprakstītos regulēšanas un remontdarbus varat veikt pats. Lai veiktu citus remontdarbus, sazinieties ar pilnvarotā servisa darbinieku.
- Pēc katras lietošanas reizes notīriet precī ar mīkstu, sausu drāniņu.
- Regulāri pārbaudiet visus uzgriežņus, stiprinājumus un skrūves, lai pārliecinātos, ka tās ir cieši pievilktas un izstrādājums ir drošā darba stāvoklī. Jebkura bojāta detaļa jānodod remontam vai nomaīņai pilnvarotā apkopes centrā.

PAREDZĒTAIS LIETOJUMS

Šī ierīce paredzēta izmantošanai tikai ārpus telpām.

Ierīce nav paredzēta bērniem vai cilvēkiem ar samazinātām fiziskām, garīgām spējām vai maņu kustību traucējumiem. Ierīce ir paredzēta, lai pūstu vieglus priekšmetus, piemēram, lapas, zāli un citus dārza atkritumus.

OBJEKTĪVIE RISKI

Pat tad, ja ierīce tiek lietota atbilstoši norādījumiem, joprojām nav iespējams pilnībā novērst atsevišķus riska faktorus. Lietošanas laikā var rasties šādas bīstamas situācijas, un lietotājam ir jāpievērš pastiprināta uzmanība, lai tās novērstu:

- Vibrācijas radīts ievainojums. Vienmēr izmantojiet pareizos rīkus tiem paredzētajam darba, izmantojiet norādītos rokturus un ierobežojiet laiku, cik ilgi izmantojat ierīci.
- Saskarsme ar troksni var radīt dzirdes traucējumus. Valkājiet ausu aizsargu un ierobežojiet saskarsmi.
- Ja somiņa nav kārtīgi pievienota, vai tā ir bojāta, tad pastāv risks gūt ievainojumus no lidojošiem priekšmetiem, no pūtēja caurules gaisa plūsmas vai sūcēja izvades. Vienmēr izmantojiet atbilstošu acu aizsargu.

RISKA SAMAZINĀŠANA

Ir ticis ziņots, ka vibrācijas no rokas instrumentiem atsevišķos cilvēkos var veicināt kaiti, ko sauc par Reino sindromu. Simptomi var ietvert pirkstu tīkšķēšanu, nejutīgumu un nobālēšanu, parasti aukstā laikā. Tiek uzskatīts, ka tradicionālie faktori, aukstums un mitrums, uzturs, smēķēšana un darba prakse sekmē šo simptomu attīstību. Operators var veikt pasākumus, lai iespējami samazinātu vibrācijas efektu:

- Aukstā laikā ķermenim jābūt siltam. Darbinot ierīci, nēsājiet cimdus, lai rokas un plaukstas locītavas būtu siltas. Ir pētījumi, ka auksts laiks ir galvenais faktors, kas veicina Reino sindromu.

EN
FR
DE
ES
IT
NL
PT
DA
SV
FI
NO
RU
PL
CS
HU
RO
LV
LT
ET
HR
SL
SK
BG



- Ik pēc laika apturiet darbu un veiciet vingrinājumus, kas uzlabo asins cirkulāciju.
- Strādājot jābūt biežiem pārtraukumiem. Ierobežojiet iedarbības ilgumu dienā.

Ja jūs izjūtat kādu no šiem simptomiem, nekavējoties apturiet ierīces lietošanu un sazinieties ar ārstu par šiem simptomiem.

⚠ BRĪDINĀJUMS

Ilgstoša preces lietošana var radīt ievainojumus vai pasliktināt jau esošos. Ilgstoši lietojot jebkuru instrumentu, pārliecinieties, ka tiek veikti regulāri pārtraukumi.

PAZĪSTIET SAVU IERĪCI

Skatīt 131. lappusi

1. Rokturis
2. Auklas aizturis
3. Ieslēgšanas/izslēgšanas slēdzis
4. Pūšanas caurule
5. Liela ātruma sprausla
6. Akumulators
7. Akumulatora lādētājs
8. Strāvas vads

UZ PRECES ESOŠIE SIMBOLI



Pirms preces darbināšanas izlasiet un izprotiet visus norādījumus, ievērojiet visus brīdinājumus un drošības norādījumus.



Sargieties no izmestiem vai lidojošiem priekšmetiem. Neļaujiet nepiederošām personām, it īpaši bērniem un mājdzīvniekiem, tuvoties darba zonai tuvāk par 15 m.



Lietojiet dzirdes aizsargus



Valkājiet acu aizsargaprīkojumu



Nepakļaujiet lietum vai mitriem apstākļiem.



Izslēdziet: pirms tīrīšanas un apkopes, atvienojiet kontaktdakšu no elektrības.



Pirms apkopes veikšanas vai gadījumā, ja kabelis ir bojāts vai sagriezts, nekavējoties atvienojiet kontaktdakšu no elektrotīkla.



Darbarīks atbilst visām normām ES valstī, kurā tas ir iegādāts.



EurAsian atbilstības marķējums.



Ukrainas apstiprinājuma zīme



2. klases instruments, dubulta izolācija



Izlietotie elektroprodukti nedrīkst tikt izmesti kopā ar māsaimniecības atkritumiem. Lūdzu, nododiet tos attiecīgajās atk ār totas izmantošanas vietās. Sazinieties ar savu vietējo varas pārstāvi vai izplatītāju, lai noskaidrotu, kur iespējama atkārtota pārstrāde.



Garantētais skaņas jaudas līmenis ir 94 dB.



Barošanas bloks : Akumulators (DC 18V)



Barošanas bloks : Elektrisks (AC 230V)

IKONAS ŠAJĀ ROKASGRĀMATĀ



Pievienojiet enerģijas avotam



Atvienojiet no enerģijas avota



PIEZĪME:



Brīdinājums!

Lai izskaidrotu risku, kas saistīti ar izstrādājumu, līmeni, paredzēti šādi norādījuma vārdi un jēdzieni.

⚠ BĪSTAMI

Norāda draudošo bīstamo situāciju, kas, ja no tās neizvairās, var novest pie nāves vai nopietnas traumas.

⚠ BRĪDINĀJUMS

Norāda potenciālo bīstamo situāciju, kas, ja no tās neizvairās, var novest pie nāves vai nopietnas traumas.

⚠ UZMANĪBU

Norāda potenciālo bīstamo situāciju, kas, ja no tās neizvairās, var novest pie nelielas vai vidējas traumas.

UZMANĪBU

Bez drošības brīdinājuma apzīmējuma

Norāda uz situāciju, kas var radīt īpašuma bojājumus.



⚠ ĮSPĖJIMAS

Būtina laikytis saugos reikalavimų naudojantis šiuo produktu. Savo bei aplinkinių saugumui turite perskaityti ir gerai suprasti šias instrukcijas, tik tuomet naudoti krūmapjovę. Išsaugokite šią instrukciją ateičiai.

⚠ ĮSPĖJIMAS

Krūmapjovės negali naudoti vaikai ar asmenys su fiziniais, psichiniais ar jutiminiais sutrikimais. Vaikus reikia tinkamai prižiūrėti, kad jie nežaistų su krūmapjove.

APMOKYMAS

- Atidžiai perskaitykite instrukcijas. Gerai žinoti apie valdiklius ir tinkamą krūmapjovės naudojimą.
- Jokiu būdu neleiskite naudoti krūmapjovės vaikams, asmenims su fiziniais, jutiminiais ar psichiniais sutrikimais, ar žmonėms, neturintiems reikiamos patirties ir žinių, arba nesusipažinusiems su šiomis instrukcijomis. Vietos įstatymai gali apriboti įrengimo operatoriaus amžių.
- Turėkite omenyje, kad operatorius arba vartotojas yra atsakingas už nelaimingus atsitikimus arba kitiems asmenims ar jų turtui sukeltą pavojų.
- Pašaliniai asmenys, vaikai ir gyvūnai turi būti 15 m atstumu nuo genėjimo vietos. Išjunkite mašiną, jei į darbo zoną kas nors įeitų.

PARUOŠIMAS

- Kai kuriuose regionuose šio gaminio naudojimą tam tikriems darbams apriboja galiojantys įstatymai. Kreipkitės patarimo į vietos įstaigą.
- Naudodami krūmapjovę, būtinai dėvėkite tinkamą avalynę ir mūvėkite kelnes ilgomis klešnėmis. Nedirbkite su šiuo prietaisu neapsiavę arba avėdami atvirus sandalus. Stenkitės nedėvėti dukšlių drabužių, arba rūbų su kabančiais raišteliais ar kaklaraiščiu: juos gali įtraukti judamosios dalys.
- Nedėvėkite dukšlių drabužių ar papuošalų, kurie gali būti įtraukti į oro įleidimo angą.
- Ilgus plaukus suriškite aukščiau pečių, priešingu atveju, jie gali įsipainioti į judančias įrankio dalis.
- Naudodami šią krūmapjovę, visada dėvėkite klausos apsaugą. Šis prietaisas veikia ypatingai triukšmingai, todėl griežtai nesilaikant atsar gumo priemonių (t.y. riboti buvimą sveikatai žalingoje aplinkoje, sumažinti triukšmą ir dėvėti ausų apsaugos priemonės), galima nepagydomai pakenkti klausai.
- Naudodami šią krūmapjovę, visada dėvėkite pilną akių apsaugą. Gamintojas primygtinai rekomenduoja dėvėti viso veido kaukę ar prigludusius apsauginius akinius. Įprasti ar saulės akiniai nėra tinkama apsaugos priemonė. Galingas oro srautas bet kada gali išstėkšti objektus dideliu greičiu ir jie gali atšokę rikošetu sužeisti operatorių.
- Prieš kiekvieną naudojimą patikrinkite, ar tinkamai veikia visi valdikliai ir saugos įtaisai. Nenaudokite įrankio, jeigu išjungimo jungikliu nepavyksta sustabdyti krūmapjovės.

- Prieš kiekvieną krūmapjovės naudojimą, būtinai apžiūrėkite, ar jos korpusas nepakenktas ir ar apsauginiai įtaisai bei rankenos tinkamai ir saugiai sumontuoti.
- Pakenktas ar neįskaitomas etiketes pateikite įgaliojamam techninio aptarnavimo centrui, kad pakeistų naujomis.
- Jokiu būdu nenaudokite krūmapjovės, jeigu apsauginiai įtaisai ar skydeliai pakenkti, arba be apsauginių įtaisų, pavyzdžiui, jei nėra sąnašų surinkimo įtaiso.
- Stebėkite, kad oro vėsinimo įsiurbimo angos neužsiklištų atliekomis.
- Prieš nupūsdami oru / siurbdami, iš grėblių ir šluotų išvalykite sąnašas.
- Prieš pradėdami darbą sutvarkykite darbo vietą. Pašalinkite visus daiktus, tokius kaip akmenys, stiklo duženos, viny, vielos ar virvės, kurie gali būti toli nupūsti greito oro srauto.

BENDRIEJI SAUGOS ĮSPĖJIMAI

⚠ ĮSPĖJIMAS

Perskaitykite visus saugos įspėjimus ir visą instrukciją. Įspėjimų ir instrukcijų nesilaikymas gali sukelti elektros smūgį, gaisrą ir (ar) rimtus sužeidimus.

Save all warnings and instructions for future reference. Įspėjimuose nurodytas terminas „elektrinis įrankis“ reiškia elektrinio įrankio naudojimą, jį prijungus prie maitinimo tinklo (laidu) arba maitinimo baterijos (belaids).

DARBO APLINKA

- Darbo vieta turi būti švari ir gerai apšviesta.** Nelaimingi atsitikimai įvyksta netvarkingose ar tamsiose vietose.
- Nenaudokite elektrinių įrankių, jei šalia yra degios ir sprogti galinčios medžiagos (skysčiai, dujos ar dulkės).** Elektriniai įrankiai kibirkščiuoja ir gali uždegti dulkes arba garus.
- Neleiskite vaikams ir šalia esantiems asmenims būti šalia įjungto elektrinio įrankio.** Išsiblaškę galite prarasti kontrolę.

ELEKTROS SAUGA

- Elektrinio įrankio kištukai turi atitikti kištukinį lizdą. Niekada nekeiskite kištuko.** Su įžemintais (įžeminimo) elektriniais įrankiais niekada nenaudokite kištukų adapterių. Nepakeisti kištukai ir atitinkantys lizdai sumažina elektros smūgio pavojų.
- Stenkitės nesiliesti prie įžemintų ar įžeminimo paviršių (vamzdžių, radiatorių, grandinių / viryklių, šaldytuvų).** Įžeminius savo kūną, padidės elektros smūgio pavojus.
- Įrenginio negalima laikyti lietuje ar drėgmėje.** Dėl vandens, patekusio į elektrinį įrankį, padidėja elektros smūgio pavojus.
- Laidą naudokite pagal jo paskirtį.** Niekada jo nenaudokite elektriniams įrankiams pernešti, tempti ar išjungti. Saugokite maitinimo laidą nuo karščio, tepalų, aštrių kampų ir judančių detalių.

EN
FR
DE
ES
IT
NL
PT
DA
SV
FI
NO
RU
PL
CS
HU
RO
LV
LT
ET
HR
SL
SK
BG





Pažeisti ar supainioti laidai padidina elektros smūgio galimybę.

- **Dirbdami su elektriniu įrankiu lauke, naudokite tik lauke naudoti skirtus ilginamuosius laidus.** Naudojant tinkamą laukui laidą sumažinama elektros smūgio tikimybė.
- **Jei būtina naudotis elektriniu įrankiu drėgnomis oro sąlygomis, naudokite likutinės srovės prietaisą (RCD).** Naudojant RCD sumažinama elektros smūgio tikimybė.

ASMENINĖ SAUGA

- **Būkite budrūs ir stebėkite, ką darote, bei sąmoningai naudokite elektrinį įrankį.** Nesinaudokite įrankiu, kai esate pavargę ar paveikti narkotinių medžiagų, alkoholio ar vaistų. Neatidumas darbo su elektriniu įrankiu metu gali sukelti sunkius sužeidimus.
- **Naudokite asmeninės apsaugos įrangą. Visada dėvėkite akių apsaugos priemones.** Atitinkamomis sąlygomis naudojamos apsaugos priemonės, pvz. dulkių kaukė, neslystantys apsauginiai batai, šalmas ar apsaugos ausims, sumažina asmeninių sužeidimų pavojų.
- **Saugokitės, kad įrankis netyčia neįsijungtų. Įsitinkinkite, kad prieš prijungiant įrankį prie maitinimo šaltinio ir (ar) baterijos, pakeliant ar nešant įrankį, jungiklis yra išjungtas.** Nešant elektrinį įrankį, uždėjus pirštą ant jungiklio, arba elektrinį įrankį, kurio jungiklis yra įjungtoje padėtyje, gali įvykti nelaimingas atsitikimas.
- **Prieš įjungiant elektrinį įrankį, išimkite derinimo raktą ar veržliaraktį.** Jei juos paliksite pridėtus prie besisukančios įrankio dalies, galite susižaloti.
- **Neipersitempkite. Visada tvirtai stovėkite ir išlaikykite pusiausvyrą.** Tai padės geriau kontroliuoti įrankį netikėtų situacijų metu.
- **Dėvėkite tik darbai tinkamus drabužius. Nedėvėkite laisvų, neprigludusių drabužių ir juvelyrinių dirbinių.** Saugokite plaukus, drabužius ir pirštines toliau nuo judančių dalių. Laisvi drabužiai, papuošalai ar ilgi plaukai gali įsipainioti į judančias įrankio dalis.
- **Jei įrengti dulkių ištraukimo ir surinkimo įrenginiai, įsitinkinkite, kad jie prijungti ir naudojami tinkamai.** Su dulėmis susijusiam pavojui sumažinti naudokite dulkių surinkimą.

ELEKTRINIO ĮRANKIO NAUDOJIMAS IR PRIEŽIŪRA

- **Nenaudokite per didelės jėgos. Pritaikykite tinkamą elektrinį įrankį atliekamam darbui.** Naudodami pagal paskirtį pagamintą tinkamą elektrinį įrankį, darbą atliksite geriau ir saugiau.
- **Nenaudokite elektrinio įrankio, jei jungiklio negalite įjungti ir išjungti.** Jungikliu nevaldomas elektrinis įrankis yra pavojingas ir jį reikia taisyti.
- **Prieš sureguliuojant įrankį, keičiant atsargines dalis ar sandėliavimą atjunkite laidą nuo maitinimo šaltinio ir (ar) akumulatoriaus.** Tokios saugumo priemonės apsaugos nuo atsitiktinio įrankio įsijungimo.
- **Laikykite elektrinį įrankį vaikams neprieinamoje vietoje ir neleiskite juo naudotis asmenims, kurie nemoka juo naudotis.** Neįgudusiems asmenims

elektriniai įrankiai yra pavojingi.

- **Prižiūrėkite elektrinius įrankius. Patikrinkite judančių detalių nesutapimus, sukibimą, ar sumontuotos detalės nesulūžusios bei kitą būklę, kuri gali turėti neigiamos įtakos įrankio veikimui.** Jei įrankis sugedęs, prieš naudojimą jį reikia suremontuoti. Nemažai nelaimingų atsitikimų įvyksta dėl netinkamai prižiūrimų elektrinių įrankių.
- **Pjovimo įrankius reikia pastoviai galštai ir valyti.** Tinkamai prižiūrėti aštriais asmenimis pjovimo įrankiai mažiau stringa ir juos lengviau valdyti.
- **Naudokite elektrinius įrankius, atsargines detales, grąžtus ir t. t., pagal šias instrukcijas ir atsižvelgdami į darbo sąlygas bei turimą atlikti darbą.** Naudokite elektrinį įrankį tik pagal tiesioginę paskirtį, kitaip sukelsite pavojingą situaciją.

ĮRANKIO SU AKUMULIATORIUMI NAUDOJIMAS IR PRIEŽIŪRA

- **Pakartotinai kraukite prietaisą tik naudodami gamintojo nurodytą kroviklį.** Vieno tipo akumulatoriui tinkantis įkroviklis gali kelti gaisro pavojų kitokiam akumulatoriui.
- **Elektrinius įrankius naudokite tik su jiems skirtais baterijų paketais.** Naudojant kitokių akumulatorius, galima susižeisti ar sukelti gaisrą.
- **Kai akumulatorius nenaudojamas, jį laikykite toliau nuo kitų metalinių daiktų, pavyzdžiui, sąvaržėlių, monetų, raktų, vinių, varžtų ar kitų mažų metalinių daiktų, kurie vieną gnybtą gali sujungti su kitu.** Sutrumpinus vieną akumulatoriaus gnybtą su kitu, galima nusideginti arba sukelti gaisrą.
- **Netinkamomis sąlygomis iš akumulatoriaus gali ištekėti skystis - nelieskite jo.** Jei atsitiktinai prisilietėte - nuplaukite vandeniu. Jei skysčio pateko į akis, papildomai kreipkitės į gydytoją. Iš akumulatoriaus ištekėjęs skystis gali nudeginti ar sukelti sudirginimus.

TECHNINIS APTARNAVIMAS

- **Elektrinį įrankį turi remontuoti tik kvalifikuoti darbuotojai, kurie naudoja identišką atsargines dalis.** Tai užtikrina elektrinio įrankio saugumą.

PAPILDOMI SAUGOS ĮSPĖJIMAI

- **Saugokitės, kad jis netyčia neužsivestų.** Prieš įjungiant krūmaprovę į maitinimo šaltinį, būtinai patikrinti, ar jungiklis išjungtas. Nenešiotkite gaminio su prijungtu laidu laikydami pirštą ant jungiklio.
- **Įrenginio negalima laikyti lietuje ar drėgmėje.** Į įrenginį patekęs vanduo padidina elektros smūgio pavojų.
- **Elektros maitinimas turi būti paduodamas per prietaisą su srovės atjungimo (RCD), kurio išsijungimo srovės riba neturi būti didesnė, nei 30 mA.**
- **Kiekvieną kartą prieš naudojant įrenginį, būtinai patikrinti, ar nepažeistas maitinimo laidas.** Pastebėjus pažeidimo požymių, laidą reikia pakeisti. Laidą gali keisti tik įgaliotas techninio aptarnavimo centras. Naudojant, maitinimo laidą reikia išvynioti: susukti į ritę laidai gali perkaisti.
- **Jei reikia naudoti pailginimo laidą, patikrinkite, ar**





jis tinkamas naudoti lauko sąlygomis ir ar jo srovės parametrai tinkami įrankio maitinimui. Pailginimo laidas turi būti paženklintas „H05 RN-F“ arba „H05 VV-F“. Prieš kiekvieną naudojimą patikrinkite, ar pailginimo laidas nepakenktas. Naudojant, būtinai išvynioti pailginimo laido ritę, nes susukti pailginimo laidai gali perkaisti. Pažeistų pailginimo laidų nereikia taisyti: juos reikia keisti tolygaus tipo laidais.

- Įsitikinkite, kad maitinimo laidas būtų tokioje padėtyje, kad ant jo niekas neužliptų, neužkliūtų ar kaip nors kitaip neapgadintų.
- Niekada nekelkite ir neneškite gaminio už elektros laido.
- Niekada netraukite už maitinimo laido norėdami prietaisą išjungti iš maitinimo.
- Saugokite maitinimo laidą nuo karščio, alyvos ir aštrių briaunų.
- Būtinai nukreipti laidą į krūmaprovės galinę dalį.
- Patikrinkite ar maitinimo įtampa atitinka gaminio parametrus. Pavadinimo plokštelėje ant produkto nurodoma prietaiso įtampa. Niekada nejunkite produkto prie AC įtampos šaltinio, kurio skirtinga įtampa.
- Prieš atjungdami įrenginį nuo maitinimo šaltinio arba išimdami akumuliatorių, įsitikinkite, kad jungtukas yra padėtyje OFF (išjungta).

EKSPLOATAVIMAS

- If a cord becomes damaged during use, disconnect the supply cord from the mains immediately. **Nelieskite laido, jei jis neatjungtas nuo maitinimo šaltinio.** Do not use the machine if the cord is damaged or worn.
- Naudokite prietaisą tik priimtinais valandomis - ne anksti ryte ar vėlai vakare, kai jo skeleidžiamas triukšmas gali drumsti žmonių ramybę.
- Jokių būdu nenaudokite prietaiso sprogioje aplinkoje.
- Stengtis nenaudoti krūmaprovės blogomis oro sąlygomis, ypač, kai yra žaibavimo pavojus.
- Dirbkite gerai apšviestoje aplinkoje. Kad pastebėtų galimus pavojus, prietaisu dirbančiam asmeniui turi būti sudarytos gero matomumo sąlygos.
- Klausos apsaugos priemonių naudojimas sumažina įspėjamųjų garsų (ryksmų arba pavojaus signalų) girdėjimo galimybę. Operatorius turi atkreipti ypatingą dėmesį, kas vyksta darbo vietoje.
- Nesiblaškykite ir būkite susikaupę, kai genite. Būkite budrūs ir rūpestingai apgalvokite savo veiksmus bei jų pasekmes.
- Netoliese naudojant panašius prietaisus padidėja pavojus pakenkti klausą ir galimybė kitiems asmenims patekti į darbo zoną.
- Visada tvirtai stovėkite ir išlaikykite pusiausvyrą. Nepersitempkite. Persitempę galite prarasti pusiausvyrą.
- Būtinai patikrinti, ar tvirtas pagrindas po kojomis atšlaitėse, ir eiti – jokių būdu nebėgti.
- Stovėkite toliau nuo visų judančių įrankio detalių. Besisukantys diskinių rato peiliukai gali sukelti sunkius sužeidimus.
- Niekada nenaudokite įrankio be pritvirtintų tinkamų

detalių. Naudojant įrankį kaip lapų nupūtimo įtaisą, būtinai sumontuokite pūtimo vamzdžius.

- Niekaip nemodifikuokite prietaiso ir nemontuokite dalių bei priedų, kurias naudoti nepataria gamintojas.

⚠ ĮSPĖJIMAS

Numetus krūmaprovę, jei stipriai susitrenkus ar pradėjus neįprastai vibruoti, ją reikia nedelsiant sustabdyti ir patikrinti, ar nepakenkta arba nustatyti vibravimo priežastį. Pakenktos dalys turi būti tinkamai sutaisytos arba pakeistos įgaliojame techninio aptarnavimo centre.

- Kad išvengtumėte su besisukančiomis dalimis susijusio pavojaus, visuomet išjunkite gaminį, atjunkite nuo maitinimo tinklo arba išimkite akumuliatorių ir įsitikinkite, kad visos judančios dalys nustojo judėti:
 - prieš valant ar išimant susidariusį kamštį
 - kai paliekate krūmaprovę be priežiūros
 - prieš montuojant ar nuimant įtaisus
 - prieš tikrinant, prižiūrint ar naudojant krūmaprovę
 - atsitrenkus į pašalinį daiktą, apžiūrėti, ar krūmaprovė nepakenkta
 - Prietaisui pradėjus neįprastai vibruoti (kuo skubiau patikrinkite).

⚠ ĮSPĖJIMAS

Pūstuvus gali būti pateikiamas su diržu. Rūpestingai sureguliuokite saugos diržus, kad jie patogiai padėtų atremti krūmaprovės svorį.

Nustatykite greito atleidimo mechanizmą ir pasipraktikuokite, kaip juo naudotis prieš pradėdami genėti. Teisingai naudojant šį įtaisą, galima apsisaugoti nuo sužeidimų įvykus avarijai. Jokių būdu nemūvėkite palaidų drabužių virš papildomos atramos ar kitaip neklaidykite spartaus atpalaidavimo mechanizmo.

NUPŪTIMO ORU PRIETAISO SAUGOS ĮSPĖJIMAI

- Esant dulkėms, dėvėkite kaukę nuo dulkių, kad dulkių įkvėpus sumažintumėte pavojų sveikatai.
- Pūstuvo antgalio nenukreipkite į žmones ar gyvūnus.
- Jokių būdu nedėkite daiktų į nupūtimo oru prietaiso vamzdžius.
- Šio prietaiso nenaudokite prie atvirų langų.
- Kai valote dulkėtas vietas, šiek tiek sudrėkinkite valomus paviršius.
- Kad oro srautą būtų galima pūsti arti žemės, iki galo ištempkite orpūtės antgalio kotą.
- Nenustatykite orpūtės ant palaidų sąnašų arba netoliese jų. Prietaisas gali įtraukti sąnašas į įsiurbimo angą ir dėl to sugesti.

PAPILDOMI SAUGOS ĮSPĖJIMAI - BATERIJA

- Perskaitykite, supraskite ir griežtai vadovaukitės saugos instrukcijomis, pridedamomis prie prietaiso baterijos ir įrankio. Nesilaikant saugos instrukcijų, gali įvykti elektros smūgis, kilti gaisras ar kitos pavojingos situacijos. Visas instrukcijas laikykite kartu saugioje

EN
FR
DE
ES
IT
NL
PL
PT
DA
SV
FI
NO
RU
PL
CS
HU
RO
LV
LT
ET
HR
SL
SK
BG





vietoje, kad prireikus galėtumėte jas bet kada paskaityti.

- Akumuliatorių įrankių prie maitinimo šaltinio prijungti nereikia, todėl jie visuomet paruošti naudoti. Jei prietaiso greitai nenaudosite, neikiškite izoliatoriaus raktą.
- Prieš reguliuodami, valydami įrankį ar šalindami nuopjovas iš įrankio, visada išimkite akumuliatorių.
- Baterinių įrankių ar jų baterijų nelaikykite prie ugnies ar karščio. Taip sumažinsite sprogo ir sužeidimų pavojų.
- Niekada nebandykite akumuliatoriaus atidaryti ar išardyti. Išsiskiriantys elektrolitai yra koroziniai bei gali pakenkti akims ir odai. Juos prarijus, jie gali būti nuodingi.
- Akumuliatorių saugokite nuo drėgmės ir vandens. Įrankio neįkraukite drėgnose ar šlapiose vietose. Laikantis šių nurodymų, sumažinamas elektros smūgio, gaisro ar sunkių sužeidimų pavojus.
- Akumuliatorių pažeidus gali išsiskirti garai. Išėikite į gryną orą ir jei vis dar prastai jaučiatės, kreipkitės į gydytojus. Garai gali dirginti kvėpavimo organus.
- Vasaros metu akumuliatoriaus nepalikite automobilyje.
- Akumuliatoriaus nedeginkite. Pasenusią, nebenaudojamą bateriją šalinkite tinkamai, pagal vietos taisykles.
- Netinkamomis sąlygomis iš akumuliatoriaus gali ištekėti skystis - nelieskite jo. Jei atsitiktinai prisilietėte - nuplaukite vandeniu. Jei skystis pateko į akis, papildomai kreipkitės į gydytoją. Iš akumuliatoriaus ištekėjęs skystis gali nudeginti ar sukelti sudirginimus.

GABENIMAS IR LAIKYMAS

- Prieš padėdami laikyti arba gabenti, įrenginį išjunkite, atjunkite nuo maitinimo tinklo arba išimkite akumuliatorių ir palaukite, kol atvės.
- Nuo įrankio nuvalykite visas pašalines medžiagas. Laikykite vėsioje, sausoje, gerai vėdinamoje ir vaikams nepasiekiamoje vietoje. Nelaikykite jo arti nuo tokių koroziją sukeliančių reagentų kaip cheminės sodininkystės medžiagos arba druskos, naudojamos prieš apledėjimą. Nelaikykite lauke.
- Ruošdami gabenimui, nejudamai pritvirtinkite įrenginį, kad gabenant nenukristų ir nesužeistų žmonių arba nesugestų pats.

PRIEŽIŪRA

⚠ ĮSPĖJIMAS

Keitimui naudokite tik originalias gamintojo atsargines dalis. Neoriginalios dalys gali būti sužeidimų ir įrenginio blogo veikimo priežastis, ir dėl to gali būti anuliuotas garantinis pažymėjimas.

⚠ ĮSPĖJIMAS

Aptarnavimą atlikti būtina itin atidžiai, todėl rekomenduojame, kad techninę apžiūrą vykdytų kvalifikuotas specialistas. Techninei apžiūrai atlikti patariame gražinti prietaisą į artimiausią įgaliotą paslaugų teikimo tarnybą a. Sugedusias detales keiskite tik originaliomis detalėmis.

- Prietaisą galite reguliuoti ir remontuoti, kaip aprašyta šiame naudotojo vadove. Dėl kitų remonto darbų kreipkitės į įgaliotą techninio aptarnavimo centrą.
- Po kiekvieno naudojimo, išvalykite įrenginį sausu švelnaus audinio gabalėliu.
- Dažnai tikrinkite visas varžles, varžtus ir sraigtus, ar jie tvirtai laikosi ir ar gaminyje yra saugios darbo būklės stovyje. Bet kurią apgadintą detalę leidžiama remontuoti arba keisti tik autorizuotame aptarnavimo centre.

NAUDOJIMO PASKIRTIS

Grandininis pjūklas skirtas pjauti tik lauke.

Krūmapjovės negali naudoti vaikai ar asmenys su fiziniais, psichiniais ar jutimais sutrikimais.

Prietaisas skirtas nupūsti lengvas sąnašas, įskaitant lapus, žolę ir kitas sodininkystės šiukšles.

ŠALUTINIAI PAVOJAI

Netgi prietaisą naudojant pagal jo paskirtį visų šalutinių rizikos veiksnių visiškai pašalinti neįmanoma. Gali kilti toliau nurodyti pavojai, todėl operatorius turi būti itin dėmesingas, kad išvengtų šių dalykų:

- Vibracijos sukeltas sužalojimas. Kiekvieną darbą atlikite jam skirtu įrankiu, naudokite atitinkamas rankenas ir ribokite darbo bei buvimo sveikatai žalingoje aplinkoje laiką.
- Ilgai būnant triukšme, galima pakenkti klausai. Dėvėkite akių apsaugą ir ribokite poveikio trukmę.
- Jeigu sąnašų maišelis neįdėtas arba pakenktas, orpūtės vamzdžio oro srovės pakelti daiktai gali sužeisti. Visada dėvėkite tinkamą akių apsaugą.

RIZIKOS MAŽINIMAS

Turime pranešimų, kad vibracija nuo ranka laikomų įrankių kai kuriems asmenims gali turėti neigiamos įtakos vystantis Raynaud sindromui. Šios ligos požymiai yra pirštų dilgčiojimas, nutirpimas ir pabalimas, paprastai pasireiškiantis nuo šalčio. Šie simptomai vystosi dėl paveldimų veiksnių, nesisaugant nuo šalčio ir drėgmės, dėl mitybos, rūkymo ir darbo praktikos. Operatorius gali imtis šių priemonių, kurios gali sumažinti vibracijos poveikį:

- Apsirenkite kuo šilčiau šaltu oru. Dirbant šiuo prietaisu mėvėkite pirštines, kad plaštakos ir riešai būtų laikomi šilčiau. Turime pranešimų, kad Raynaud sindromas labiausiai vystosi nuo šalto oro sąlygų.
- po darbo kiekvieną kartą pasportuokite, kad pagerėtų kraujotaka;
- dažnai darykite darbo pertraukas. Apribokite darbo



laikotarpį per dieną.

Jei jums pasireiškia kokie nors šios būklės simptomai, nedelsdami nutraukite darbą ir kreipkitės į gydytoją.

⚠ ĮSPĖJIMAS

Ilgiau naudojant, įrankis kelia sužeidimų pavojų ir apsunkina darbą. Ilgiau naudojant įrankius, reikia reguliariai daryti pertraukas.

PAŽINKITE SAVO GRANDININĮ PJŪKLĄ

Žr. 131 psl.

1. Rankena
2. Laido fiksatorius
3. Įjungimo/išjungimo mygtukas
4. Nupūtimo vamzdis
5. Didelio greičio antgalis
6. Baterija
7. Akumulatoriaus įkroviklis
8. Maitinimo laidas

SIMBOLIAI ANT ĮRENGINIO



Prieš naudodami įrenginį, atidžiai perskaitykite instrukcijas, laikykitės įspėjimų ir saugos nurodymų.



Saugokitės išmetamų arba skrendančių objektų. Įsitinkinkite, kad 15 metrų atstumu nuo darbo zonos nėra pašalinių asmenų (ypač vaikų ir gyvūnų).



Wear ear protection



Dėvėkite apsauginius akinius



Nenaudoti lyjant ar esant drėgnoms sąlygoms.



Išjunkite: prieš pradėdami priežiūros ar valymo darbus, ištraukite kištuką iš maitinimo lizdo.

Prieš atlikdami priežiūros darbus arba jei laidas pažeistas ar įpjautas, nedelsiant ištraukite kištuką iš maitinimo šaltinio.

Šis prietaisas atitinka visas reglamentuotas normas ES šalies, kur jis buvo nupirktas.



„EurAsian“ atitikties ženklas.



Ukrainos atitikties ženklas



II klasės įrankis, dviguba izoliacija



Elektrinių produktų atliekos neturi būti metamos kartu su namų ūkio atliekomis. Prašome perdirbkite jas ten, kur yra tokios perdirbimo bazės. Dėl perdirbimo patarimo kreipkitės į savo vietinę savivaldybę ar pardavėją.



Garantuotas garso galios lygis yra 94 dB.



Maitinimas : Baterija (Nuolatinė srovė 18V)



Maitinimas : Elektrinis (Kintamoji srovė 230V)

ŽENKLAI ŠIOJE INSTRUKCIJOJE



Pajunkite į maitinimo lizdą



Išjunkite iš maitinimo lizdo



PASTABA:



Įspėjimas!

Šie signaliniai žodžiai yra skirti nurodyti su prietaiso naudojimu susijusio pavojaus lygį.

⚠ PAVOJUS

Reiškia ypač pavojingą padėtį, kurios neišvengus bus patirti sunkūs ar net mirtini sužeidimai.

⚠ ĮSPĖJIMAS

Reiškia potencialiai pavojingą situaciją, kurios neišvengus galimi sunkūs ar net mirtini sužeidimai.

⚠ ATSARGIAI

Reiškia potencialiai pavojingą situaciją, kurios neišvengus galimi lengvi ar vidutinio sunkumo sužeidimai.

ATSARGIAI

Be įspėjamųjų simbolių
Reiškia nuosavybės žalos tikimybę.



⚠ HOIATUS

Seadme kasutamisel tuleb järgida ohutusreegleid. Teie ja kõrvalseisjatele ohutuse tagamiseks lugege käesolevad juhised enne seadme kasutamist läbi. Hoidke juhend edaspidiseks kasutamiseks alles.

⚠ HOIATUS

Seade ei ole ette nähtud kasutamiseks laste või nende isikute poolt, kellel on piiratud füüsilised, vaimsed või sensoorsed võimed. Laste järele tuleb piisavalt valvata, et nad seadmega ei mängiks.

VÄLJAÕPE

- Lugege juhised hoolikalt läbi. Õppige tundma kõiki seadme juhtseadiseid ja kasutusnõudeid.
- Ärge lubage lapsi ega piiratud füüsiliste, sensoorsete ja vaimsete võimetega inimesi ega kogemuste ja teadmisteta ning käesolevate juhistega mittetutvunud inimesi seadet kasutada. Kohalikud regulatsioonid võivad seada kasutaja vanusele piiranguid.
- Pidage meeles, et operaator või kasutaja on vastutav õnnetuste või ohuolukordade eest, mis võivad puudutada teisi inimesi või nende vara.
- Hoidke kõik kõrvalseisjad, lapsed ja lemmikloomad tööalalt vähemalt 15 meetri kaugusele. Kui keegi tööpiirkonda siseneb, siis lõpetage töötamine.

ETTEVALMISTUSTOIMINGUD

- Mõnedes piirkondades on seadused, mis piiravad toote kasutamist teatud tööde tegemiseks. Lisateavet saate kohalikust omavalitsusest.
- Kandke seadmega töötamisel kinniseid jalanõusid ja pikki pükse. Ärge kasutage seadet paljajalu ega kandke töötamise ajal lahtisi sandaale. Vältige selliste riiete kandmist, mis on lõdvad või millel on paelad või sidemed; need võivad haakuda liikuvate osade külge.
- Ärge kandke lõtvu riietusesemed või ehteid, mida võidakse tõmmata õhu sissevõtuavasse.
- Kinnitage pikad juuksed õlgadest kõrgemale, et vältida nende takerdumist liikuvate osade vahele.
- Kandke selle seadme kasutamisel alati kuulmiskaitseid ja kaitseprille. See seade on väga müraarukas ja kui täpselt ei järgita ettenähtud piiranguid müraga kokkupuute ja müravähenduse osas või ei kasutata kuulmiskaitsevahendeid, võib põhjustada püsiva kuulmiskahjustuse.
- Kandke selle seadme kasutamise ajal alati silmakaitsevahendeid. Tootja soovib kasutada igal juhul näomaski või külgkaitsega silmamaski. Tavalised kaitseprillid või päikesepriidid ei ole nõuetekohased kaitsevahendid. Objektid võivad võimsa õhujoo toimele suures kiirusel igal hetkel välja lennata ja võivad kõvadelt pindadelt põrkuda operaatori suunas.
- Enne seadme kasutamise alustamist veenduge, et kõik juht- ja ohutusseadised töötavad nõuetekohaselt. Kui seade nupule OFF vajutamisel välja ei lülitu, ärge hakake tööriista kasutama.

- Enne iga kasutuskorda kontrollige välise vaatluse teel, et korpus ei ole vigastatud ja kaitsed ning käepidemed on oma kohtadel ning nõuetekohaselt kinnitatud.
- Pöörduge vigastatud ja loetamatute kleebiste asendamiseks volitatud hoolduskeskuse poole.
- Ärge kasutage seadet, mille kaitsed või katted on vigastatud või ilma kaitseeseadisteta, näiteks ilma prahikogurita.
- Hoidke jahutusõhu pilud prahist puhtad.
- Enne puhumise või imemise alustamist kasutage reha ja harja.
- Enne töö alustamist tuleb tööpiirkond alati korrastada. Eemaldage tööpiirkonnast kõik esemed, nagu kivid, klaasikillud, naelad, juhtmed või nõõrid, mis võivad suure õhuvoolu tõttu kaugele välja paiskuda.

OHUTUSE ÜLDEESKIRJAD

⚠ HOIATUS

Lugege kõik ohuhoiatused ja juhised läbi. Hoiatuste ja juhiste eiramisel on oht saada elektrilööki või raskeid kehavigastusi ning/või põhjustada tulekahju.

Save all warnings and instructions for future reference.

Hoiatuses kasutatav termin „elektritööriist“ tähendab mehaanilist tööriista, mis saab toidet elektrivõrgust (juhtmega) või akust (ilma juhtmata).

TÖÖKOHT

- Hoidke töökoht puhas ja hästi valgustatud. Korrastamata ja pimedas kohas töötamisel võivad juhtuda õnnetused.
- Ärge kasutage elektritööriistu plahvatusohtlikes keskkondades, näiteks kergestisüttivate vedelike ja gaaside läheduses ega tolmuses kohas. Elektritööriistad tekitavad sädemeid, mis võivad tolmuga või auru süüdata.
- Elektritööriistaga töötamisel hoidke lapsed ja kõrvalised isikud eemal. Tähelepanu hajumise korral võib teil kontroll kaduda.

ELEKTRIOHUTUS

- Elektritööriistade pistikud peavad pistikupesasse sobima. Ärge püüdke pistiku konstruktsiooni mingil moel muuta. Ärge ühendage maanduskontaktiga (kordusmaandusega) elektritööriistu elektrivõrku läbi vahepistmike. Pistiku ja pistikupesaga konstruktsiooni muutmise korral tekib elektrilöögi oht.
- Hoiduge kehalisest kontaktist maandatud pindadega, näiteks torud, radiaatorid, elektripliidid ja külmikud. Kehaosade maandamisel suureneb elektrilöögi saamise oht.
- Ärge jätke seadet vihma kätte või märga kohta. Vee sattumisel elektrilise tööriista sisemusse suureneb elektrilöögi saamise oht.
- Ärge kasutage toitejuhet mittesihipäraselt. Ärge kasutage toitejuhet tööriista kandmiseks, vedamiseks või pistikupesast väljatõmbamiseks. Hoidke toitejuhe eemal kuumusest, õlist, teravatest





servadest ja liikuvatest osadest. Vigastatud või keerdus toitekaablid suurendavad elektrilöögi ohtu.

- Väljas töötamisel kasutage välistingimustes kasutamiseks sobivaid pikendusjuhtmeid. Välistingimustele sobiva pikendusjuhtme kasutamine vähendab elektrilöögi ohtu.
- Kui elektritööriistaga töötamine niisketes oludes on vältimatut, siis kasutage rikkevoolu-kaitselülitiga (RCD) kaitsitud vooluvõrku. RCD kasutamine vähendab elektrilöögi ohtu.

ISIKUKAITSE

- Mehaanilise tööriistaga töötamisel jälgige tööpiirkonda ja kasutage sealjuures tervet mõistust. Ärge kasutage tööriista siis, kui te olete väsinud, uimastite, alkoholi või ravimite mõju all. Hetkeline tähelepanu hajumine tööriista kasutamise ajal võib põhjustada raske kehavigastuse.
- Kasutage isikukaitsevahendeid. Kandke alati silmakaitsevahendeid. Kui tööolud seda nõuavad, tuleb kasutada isikukaitsevahendeid, näiteks tolmu maski, libisemiskindlaid turvajalatsid, kiivrit ja kuulmiskaitsevahendeid, mis kehavigastuste riski vähendavad.
- Vältige tahtmatut käivitumist. Enne toitejuhtme või aku ühendamist, tööriista kättevõtmist või teisaldamist veenduge, et tööriista lüliti on välja lülitatud. Õnnetuste vältimiseks ärge hoidke tööriista kandmise ajal sõrme lülituspulki ega ühendage tööriista toitevõrku siis, kui lüliti on sisse lülitatud.
- Enne tööriista sisselülitamist eemaldage sellel reguleerivõti või nutrivõti. Elektritööriista külge jäetud reguleerivõti või nutrivõti võivad põhjustada raske kehavigastuse.
- Ärge kummardage. Hoidke end pidevalt jalgadel ja tasakaalus. Siis on teil ootamatul olukorra tekkimisel tööriista üle parem kontroll.
- Kandke tööks sobivat riietust. Ärge kandke lõtvu riideid ja ehteid. Hoidke juuksed, riietusesemed ja töökindad liikuvatest osadest eemal. Lõdvad riietusesemed, ehted ja pikad juuksed võivad haakuda liikuvate osade külge.
- Kui tööriistal tuleb kasutada tolmu eraldamis- või kogumisseadisi, siis veenduge, et need on ühendatud ja nõuetekohases kasutuses. Tolmukoguri kasutamisega saab vähendada tolmu seotud ohtusid.

ELEKTRITÖÖRIISTA KASUTAMINE JA KORRASHOID

- Ärge kasutage töötamisel liigset jõudu. Kasutage tööks sobivat elektritööriista. Õigesti valitud elektritööriist töötab ettenähtud võimsuspiirkonnas paremini ja ohutumalt.
- Ärge kasutage elektritööriista, kui lüliti ei lülita seda sisse ja välja. Lülitiga lülitamatu tööriista kasutamine on ohtlik ja see tuleb lasta ära remontida.
- Enne tööriista reguleerimist, tarvikute vahetamist või hoiumist võtke toitejuhe pistikupesast välja ja/või eemaldage aku. Need ennetavad ohutusmeetmed vähendavad tööriista tahtmatu käivitumise riski.

- Hoidke kasutuses mitteolevaid elektritööriistu lastele kättesaamatus kohas ja ärge lubage elektritööriista mitte tundvaid või kasutusjuhendiga mitte tutvunud isikuid elektritööriista kasutada. Oskamatu kasutaja käes olev elektritööriist on ohtlik.
- Mehaaniliste elektritööriistade hooldus. Kontrollige liikuvate osade mittesentreeritust ja kinnitumist, osade vigastusi ning tehke kindlaks muud seisundid, mis võivad mõjustada elektritööriista tööd. Kui mõni osa on vigastatud, siis laske elektritööriist enne kasutamist ära parandada. Halvasti hooldatud elektritööriistad põhjustavad palju õnnetusi.
- Hoidke lõiketerad teravad ja puhtad. Teravate lõiketeradega ja nõuetekohaselt hooldatud lõikeriistad jäävad harvemini kinni ning neid on kergem kontrolli all hoida.
- Tööriistade, tarvikute, otsakute ja muude lisaseadmete kasutamisel juhenduge nende kasutusjuhenditest, võttes arvesse tehtavat tööd ja tööolusid. Tööoperatsiooniks mitte ettenähtud tööriista kasutamine võib tekitada ohtliku olukorra.

AKUTÖÖRIISTA KASUTAMINE JA KORRASHOID

- Laadige akut ainult tootja poolt ettenähtud laadijaga. Akulaadaja, mis sobib ühele akupaketile võib põhjustada tulekahju, kui seda kasutada teise akupaketiga.
- Kasutage akutööriista ainult selleks ettenähtud akudega. Muude akupakettide kasutamine võib põhjustada kehavigastusi või tulekahju.
- Sel ajal kui akupakett ei ole kasutusel, hoidke seda eemal metallesemetest nagu kirjaklambrid, mündid, võtmed, naelad, kruvid ja muudest väikestest metallobjectidest, mis võivad akuklemmid lühistada. Aku klemmide lühistamine võib põhjustada põletust või tulekahju.
- Aku vale kasutamise korral võib akuvedelik välja voolata - vältige sellega kokkupuudet. Akuvedeliku nahale sattumisel peske see veega maha. Akuvedeliku silma sattumisel pöörduge arsti poole. Väljapritisiv akuvedelik võib tekitada nahaärritust või -põletust.

TEENINDAMINE

- Laske oma elektrilist tööriista hooldada väljaõppinud teenindustöötajal; remontimisel tohib kasutada ainult originaalvaruosi. See tagab elektriseadme ohutuse.

TÄIENDAVAD OHUTUSJUHISED

- Vältige soovimatut käivitumist. Enne toitejuhtme ühendamist veenduge alati, et toitelüliti on väljalülitatud asendis. Ärge kandke toitega ühendatud toodet sõrme lüliti hoides.
- Ärge jätke seadet vihma kätte või märga kohta. Vee sattumisel seadme sisse suureneb elektrilöögi saamise oht.
- Elektriline tööriist tuleb ühendada vooluvõrku läbi rikkevoolu-kaitselüliti (RCD), mille rakendumisvoolu tugevus on maksimaalselt 30 mA.





- Enne iga kasutuskorda kontrollige toitejuhe üle vigastuste suhtes. Kui on vigastumise märke, tuleb see asendada pädeva elektrikuga. Kerige toitejuhe alati lahti, sest kokku keeratud juhe võib üle kuumeneda.
- Kui teil on vaja kasutada pikendusjuhet, veenduge et see on välistingimuste jaoks sobiv ja teie tööriista jaoks piisava ristlõikega. Pikenduskaablitel peab olema markeering "H05 RN-F" või "H05 VV-F". Kontrollige pikendusjuhet enne iga kasutamist vigastuste suhtes. Kerige pikendusjuhe alati lahti, sest kokku keeratud juhe võib üle kuumeneda. Ärge hakake vigastatud pikendusjuhet parandama, vaid asendage teise sobivat tüüpi juhtmega.
- Veenduge, et toitejuhe asetseb nii, et sellele ei saa astuda, komistada või seda mingil muul viisil vigastada või pingestada.
- Ärge kunagi tõstke või kandke toodet juhtmest hoides.
- Ärge kunagi ühendage toitejuhet lahti sellest tõmmates.
- Hoidke toitejuhe eemal kuumusest, õlist ja teravatest servadest.
- Juhtige kaabel endast tahapoole, seadmest eemale.
- Veenduge, et võrgupinge vastab tootel kasutatavale pingele. Toote tehasesildil on näidatud kasutatav pingeline voltides. Ärge mingil juhul ühendage seadet AC-võrku, millel on sellest erinev pingeline.
- Enne toitejuhtme lahti ühendamist või akupaketi eemaldamist veenduge, et lüliti on asendis "OFF".

KASUTAMINE

- Kui toitejuhe saab töötamise ajal vigastada, siis võtke see kohe pistikupesast välja. **Ärge puudutage toitejuhet enne, kui see on vooluvõrgust lahti ühendatud.** Kui juhe on vigastada saanud, siis ärge seadet kasutage.
- Töötage masinaga ainult mõistlikul kellaajal, mitte aga varahommikul, hilisõhtul või öösel, kui see võib teisi inimesi häirida.
- Ärge kunagi kasutage seadet plahvatusohtlikus keskkonnas.
- Vältige seadme kasutamist halva ilmaga, eriti siis kui on äikese oht.
- Ärge kasutage seadet halva valgustatuse korral. Töötajal peab tööpiirkonnale olema selge väljavaade, et tuvastada võimalikku ohtu.
- Kuulmiskaitsevahendid takistavad häälohiatuste (hüüded ja helisignaalid) kuulmist. Operaator peab seda arvesse võtma ja pöörama täiendavat tähelepanu sellele, mis toimub tema töökohal.
- Ärge laske oma tähelepanu töötamisel kõrvale juhtida ja keskenduge ainult oma tegevusele. Mõelge toimingud hoolikalt läbi ja kaalutage oma toimingute mõjusid.
- Mitme sarnase seadme töötamisel samas piirkonnas suurendab kuulmiskahjustuse riski töötajal ja inimestel, kes tööpiirkonda sisenevad.
- Hoidke kindlat jalgade asendit ja tasakaalu. Ärge kummardage. Kummardamine võib põhjustada tasakaalu kadumist.
- Kallakul töötamisel tagage endale kindel jalgealune, ärge liikuge ega tehke kiireid liigutusi.

- Hoidke kõik kehaosad liikuvatest osadest eemal. Pöörleva tiiviku labad võivad põhjustada raske kehavigastuse.
- Ärge mingil juhul püüdke käivitada seadet ilma, et töötarvikud on nõuetekohaselt paigaldatud. Puhurina kasutamisel paigaldage puhumistorud.
- Ärge püüdke seadme konstruktsiooni mingil viisil muuta ega kasutage varuosi või tarvikuid, mis pole tootja poolt soovitatud.

⚠ HOIATUS

Kui seade on maha kukkunud, saanud tugeva löögi või hakkab ebanormaalselt vibreerima, seisake seade viivitamatult ja kontrollige see üle vigastuste suhtes. Kõik vigastused tuleb lasta volitatud hooldustöökohas parandada või asendada.

- Pöörlevate osadega kokkupuutumisest tingitud kehavigastuste vähendamiseks seisake seade, ühendage toide lahti või eemaldage aku ja veenduge liikuvate osade seiskumises.
 - enne puhastamist ja ummistuse kõrvaldamist
 - seadme jätmise järelvalveta
 - enne tarvikute paigaldamist ja eemaldamist
 - enne seadme kontrollimist, hooldamist ja sellega töötamist
 - pärast kokkupuutumist võõrkehaga, et seade vigastuste suhtes üle kontrollida
 - kui muruniiduk hakkab ebanormaalselt vibreerima (kontrollige viivitamatult).

⚠ HOIATUS

Puhuri komplektis võivad olla rakmed. Reguleerige rakmed enda jaoks hoolikalt välja, nii et need hoiavad seadet üleväljal.

Tehke kindlaks, kuidas kasutada kiirvabastusmehhanismi ja proovige seda enne kasutamise alustamist. Selle õige kasutamine võimaldab ära hoida hädaolukorras tekkida võiva raske kehavigastuse. Ärge mingil juhul kandke rakmete peal riietusesemeid, muidu piirate juurdepääsu kiirvabastusmehhanismile.

PUHURI OHUTUSJUHISED

- Tolmest tingimustes töötamisel kandke respiraatorit, et vähendada tolmu sissehingamisest põhjustatud tervisekahjustusi.
- Ärge mingil juhul suunake puhuri otsakut inimeste või lemmikloomade suunas.
- Ärge pange mingeid esemeid puhuri toru sisse.
- Ärge kasutage seadet avatud akude läheduses.
- Tolmuses kohas niisutage pindasid.
- Pikendage puhuri toru sellise pikkuseni, mille puhul saate õhku puhuda maapinna lähedal.
- Ärge suunake puhurit vahetult lahtise prahi peale või selle lähedusse. Praht võidakse imeda ventilaatori sissetõmbesavadesse ja see võib põhjustada seadme



vigastumise.

TÄIENDAVAD OHUTUSJUHISED - AKU PAKETIGA

- Lugege aku ja akulaadija komplektis olevad ohutusjuhised läbi ja tehke need endale selgeks. Selle nõude eiramine võib põhjustada elektrilööki, tulekahju ja muud ohtlikke olukordi. Hoidke kõiki juhiseid ühes kindlas kohas, et saaksite neid tulevikus lugeda.
- Akutoitega tööriistu ei pea pingestamiseks vooluvõrgu pistikupessa ühendama – need on pingel all kogu aeg. Kui te muruniidukit kohe kasutama ei hakka, ärge pange lülitusvõtit sisse.
- Enne reguleerimist, hooldamist või lõigatavat materjalist puhastamist võtke akupakett välja.
- Ärge jätke akusid või toiteelemente lahtise tule lähedusse või kuumale kohtale. Selle juhise järgimine vähendab plahvatuse ja võimaliku kehavigastuse ohtu.
- Ärge akupaketti avage ega osadeks lahutage. Vabanev elektrolüüt on korrodeeriv ja võib põhjustada silma- ja nahavigastusi. Allaneelamisel on see mürgine.
- Kaitske akut niiskuse ja vee vastu. Ärge laadige akut niiskes või märjas kohas. Selle juhise järgimine vähendab elektrilööki, tulekahju ja raske kehavigastuse ohtu.
- Aku vigastamise või ebaõige kasutamise korral võib eralduda gaase. Kaebuste korral minge värske õhu kätte ja kutsuge arstiabi. Gaasid võivad ärritada hingamissüsteemi.
- Ärge jätke akupaketti suvisel ajal autosse.
- Ärge püüdke akut põletamise teel hävitada. Kui aku kasutusaeg on ületanud kasutusea, utiliseerige see vastavalt kasutuskohal kehtivatele eeskirjadele.
- Aku vale kasutamise korral võib akuvedelik välja voolata - vältige sellega kokkupuudet. Akuvedeliku nahale sattumisel peske see veega maha. Akuvedeliku silma sattumisel pöörduge arsti poole. Väljapritsiiv akuvedelik võib tekitada nahaärritust või -põletust.

TRANSPORTIMINE JA HOIUSTAMINE

- Enne hoiule panekut või teisaldamist seisake seade, ühendage toide lahti või eemaldage aku ja laske jahtuda.
- Puhastage seade kõikidest võõrkehadest. Hoidke kuivas ja hästi ventileeritud kohas, mis on lastele juurdepääsmatu. Hoidke kettsaagi eemal söövitavatest ainetest nagu aiakemikaalid ja jäätõrjevahendid. Ärge hoiustage õues.
- Vedamise ajal tõkestage masin liikuma hakkamise ja alla kukkumise vastu, et vältida kehavigastusi ja masinaosade kahjustamist.

HOOLDUS

⚠ HOIATUS

Kasutage ainult tootja originaalvaruosi, tarvikuid ja tööorganeid. Selle nõude eiramine võib põhjustada, kehavigastuse, tootluse languse ja teile antud garantii tühistamise.

⚠ HOIATUS

Hooldamine nõuab ülimalt korrrashoidu ja teadmisi ning tuleks teostada ainult kvalifitseeritud hooldustehnikute poolt. Hoolduseks soovime me viia toote remontimiseks lähimasse vo lit atud teenind uskesk usesse . Kui hooldate, kasutage ainult neidseid varuosi.

- Lubatud on teha ainult selles kasutusjuhendis kirjeldatud reguleerimis- ja parandustoiminguid. Muude remonditööde tegemiseks võtke ühendust volitatud hooldajaga.
- Pühkige trimmer pärast iga kasutuskorda pehme kuiva lapiga puhtaks.
- Kontrollige kõiki mutreid, polte ja kruvisid sagedaste intervallidega õige pinguloleku suhtes, et veeenduda toote ohutus töökorras olemises. Vigastatud osad tuleb lasta pädeval hooldajal parandada või asendada.

OTSTARBEKOHANE KASUTAMINE

See toode on ette nähtud kasutamiseks vaid väljaspool ruume.

Seade ei ole ette nähtud kasutamiseks laste või nende isikute poolt, kellel on piiratud füüsilised, vaimsed või sensoorsed võimed.

Seade on ette nähtud kasutamiseks vaid kerge prahi ärarapuhumiseks, näiteks lehed, rohi ja muu aiandusprügi.

JÄÄKRISKID

Isegi siis, kui masinat kasutatakse kirjeldatud viisil, ei ole võimalik kõrvaldada kõiki jääkriskide mõjureid. Töötamise ajal võivad tekkida järgmised ohud, millele operaator peab pöörama erilist tähelepanu.

- Vibratsioonist põhjustatud kehavigastus. Kasutage töötamiseks õiget seadet, kasutage ettenähtud käepidemeid, piirake tööaega ja kokkupuudet vibratsiooniga.
- Tugev müra võib põhjustada kuulmiskahjustuse. Kandke kuulmiskaitsevahendeid ja piirake müraga kokkupuudet.
- Kui kogumiskott ei ole paigaldatud või on katki, võivad väljapaiskuvad esemed põhjustada kehavigastusi. Kandke alati nõuetekohaseid silmakaitsevahendeid.

RISKI ALANDAMINE

Teadaolevalt võib käsitööriistade kasutamine põhjustada mõnedel inimestel seisundit, mida nimetatakse Raynaud' sündroomiks. Sümptomidena võib ilmneda sõrmede tuimus ja valkjaks muutumine, mis tavaliselt ilmneb külmas töötamisel. Nende sümptomite puhul tuleb hoiduda külmast ja niiskusest, dieedist ning suitsetamisest ja kasutada õigeid tööõiveteid. Vibratsiooni mõju vähendamiseks tuleb rakendada järgmisi abinõusid.

- Külma ilmaga hoidke oma keha soe. Kandke kindaid, et hoida oma käed ja randmed soojad. Uuringud näitavad, et Raynaud's Syndrome ilmneb põhiliselt külma ilmaga.
- Pärast külmas töötamist tehke harjutusi, et verevarustust kiirendada.

- Tehke regulaarselt töövaheaegasid. Piirake tööperioodi pikkust.

Kui ilmnevad haigustunnused, lõpetage kohe töö ja pöörduge arsti poole.

⚠ HOIATUS

Seadme pikaajalisel kasutamisel võite saada kehavigastusi ja varasemad vigastused võivad süveneda. Seadme kasutamisel pika aja jooksul tuleb teha korralisi vaheaegasid.

ÕPPIGE OMA TOODET TUNDMA

Vt leht 131.

1. Käepide
2. Juhtmekinneti
3. „Sisse/välja“-lülit
4. Puhumistoru
5. Öhu kiirendusdüüs
6. Aku paketi
7. Akulaadija
8. Toitejuhe

MASINAL OLEVAD SÜMBOLID



Enne seadmega töö alustamist lugege kõik juhised hoolikalt läbi ja pidage kinni hoiatustest ja ohutusega seotud juhistest.



Hoiduge ülespaisatud ja lendavate esemete eest. Hoidke kõik kõrvalseisjad, eriti lapsed ja lemmikloomad tööalalt vähemalt 15 meetri kaugusele.



Kandke kuulmiskaitsevahendeid



Kandke silmakaitsevahendeid



Ärge jätke vihma kätte või kasutage niiskes kohas.



Lülitage välja - enne seadme puhastamist või hooldamist võtke pistik pistikupesast välja.



Kui seadme toitejuhe on vigastatud või sellel on sisselõige, siis ühendage pistik vooluvõrgust enne parandamist kohe lahti.



Vastab kõigile eeskirjadele EL-i liikmesriigis, kus toode on osetud.



Euraasia vastavusmärk.



Ukraina vastavusmargis



Tööriista klass II, topeltisolatsiooniga



Mittekasutatavaid elektritooteid ei tohi visata olmejäätmete hulka. Vaid tuleb viia vastavasse kogumispunkti. Vajadusel küsige sellekohast nõu oma edasimüüjalt või vastavalt kohaliku omavalitsuse institutsioonilt.



Garanteeritud helivõimsuse tase on 94 dB.



Toitepinge : Aku (DC 18V)



Toitepinge : Elektriline (DC 230V)

KASUTUSJUHENDIS KASUTATAVAD IKOONID



Ühendage pistikupesasse



Võtke pistikupesast välja



MÄRKUS.



Hoiatus!

Järgnevad märguandesõnad ja tähendused on mõeldud selle toote kasutamiseks seotud riskitasemete kirjeldamiseks.

⚠ OHT.

Viitab kohe tekkivale ohtlikule situatsioonile, mis, kui ei väldita, lõpeb surma või tõsise vigastusega.

⚠ HOIATUS

Viitab võimalikule ohtlikule situatsioonile, mis, kui ei väldita, võib lõppeda surma või tõsise vigastusega.

⚠ ETTEVAATUST

Viitab võimalikule ohtlikule situatsioonile, mis, kui ei väldita, võib lõppeda väiksemate või keskmiste vigastusega.

ETTEVAATUST

Ilma hoiatussümbolita

Osutab olukorrale, mis võib põhjustada varakahju.

UPOZORENJE

Prilikom korištenja proizvoda moraju se slijediti sigurnosna pravila. Radi vaše i sigurnosti ostalih promatrača, prije rada s proizvodom pažljivo i potpuno pročitajte ove upute. Molimo vas da čuvate ove upute radi kasnijeg korištenja.

UPOZORENJE

Ovaj proizvod nije namijenjen za korištenje od strane djece ili osoba sa smanjenim fizičkim, psihičkim ili mentalnim mogućnostima. Djecu je potrebno odgovarajuće nadzirati kako bi se osiguralo da se ne igraju s proizvodom.

OBUKA

- Pažljivo pročitajte upute. Upoznajte se s upravljačkim elementima i pravilnim korištenjem proizvoda.
- Nikada ne dopustite djeci, osobe smanjenih tjelesnih, osjetljivih ili mentalnih mogućnosti ili osoba koje ne raspolažu iskustvom ili osobama koj nisu upoznate s ovim uputama da koriste proizvod. Moguće je da lokalni propisi propisuju starosnu dob rukovatelja.
- Imajte na umu da je rukovatelj ili korisnik odgovoran za nezgode ili opasnosti koje nastanu drugim osobama ili njihovoj imovini.
- Držite promatrače, djecu i kućne ljubimce 15 m dalje od područja rada. Zaustavite uređaj ako bilo tko uđe u područje rada.

PRIPREMA

- Neke regije imaju pravila koja ograničavaju korištenje proizvoda za neke radove. Provjerite kod lokalnih tijela za savjet.
- Tijekom rada s proizvodom uvijek nosite zaštitnu obuću i duge hlače. Nemojte raditi bosu ili u otvorenim sandalama. Izbjegavajte nositi odjeću koja je labava ili s nje visi konop ili kravata, oni se mogu zahvatiti u pokretne dijelove.
- Nemojte nositi labavu odjeću ili nakit koji može biti povučen u otvor za zrak.
- Osigurajte dugu kosu na način da je iznad razine ramena kako biste spriječili zahvaćanje u bilo koje pokretne dijelove.
- Cijelo vrijeme dok radite s proizvodom nosite zaštitu za oči. Ovaj uređaj izuzetno je bučan i može dovesti do trajnog oštećenja sluha ako se ne pridržavate mjera opreza za izlaganje, smanjnite buke i nošenja zaštite za sluh.
- Cijelo vrijeme nosite potpunu zaštitu za oči. Proizvođač izričito predlaže masku na cijelom licu ili potpuno zatvorene naočale. Obične naočale ili sunčane naočale nisu adekvatna zaštita. Predmeti mogu biti odbačeni velikom brzinom snažnim mlazom zraka i mogu se odbiti od tvrde površine prema operateru.
- Osigurajte prije svakog korištenja da svi upravljački elementi i sigurnosni uređaji pravilno funkcioniraju. Ne koristite alat ako sklopka „isključeno“ ne zaustavlja proizvod.

- Prije svakog korištenja, uvijek vizualno provjerite da vidite je li kućište oštećeno, te da su štitnici i ručke pravilno postavljeni i pričvršćeni.
- Za zamjenu oštećenih ili nečitljivih naljepnica vratite ih u ovlaštenu servisnu centar.
- Nikada nemojte raditi s proizvodom s oštećenim pokrovima ili štitnicima, ili bez sigurnosnih uređaja, npr. postavljenog sakupljača krhotina.
- Održavajte sve ulaze za zrak čistim od krhotina.
- Koristite grablje i metle kako biste popustili ostatke prije ispuhivanja/usisavanja.
- Prije svakog korištenja očistite radno područje. Uklonite sve predmete kao što su kamenje, slomljeno staklo, čavli, žica ili konopi koji mogu biti odbačeni uslijed velike brzine.

OPĆA SIGURNOSNA PRAVILA

UPOZORENJE

Pročitajte sva sigurnosna upozorenja i sve upute. Nepodržavanje upozorenja i uputa može izazvati strujni udar, požar i/ili ozbiljne ozljede.

Save all warnings and instructions for future reference.

Pojam „električni alat“ u upozorenjima odnosi se na vaš glavni alat (napajanje preko kabela) ili električni alat koji se napaja preko baterije (bez kabela).

RADNA OKOLINA

- **Držite radni prostor čistim i dobro osvijetljenim.** Zatrpani i neosvijetljeni radni prostori izazivaju nezgode.
- **Nemojte rukovati električnim alatima u eksplozivnim atmosferama u kojima su prisutne zapaljive tekućine, plinovi ili prašina.** Električni alati stvaraju iskre koje mogu zapaliti prašinu ili pare.
- **Tijekom rada s električnim alatom držite podalje djecu i promatrače.** Ometanje može dovesti do toga da izgubite kontrolu.

ELEKTRIČNA SIGURNOST

- **Utikači električnog alata moraju odgovarati utičnici. Nikada nemojte modificirati utikače ni na koji način. Nemojte koristiti nikakve adapter utikače s uzemljenim električnim alatima.** Originalni utikači i odgovarajuće utičnice smanjuju opasnost od strujnog udara.
- **Izbjegavajte kontakt tijela s uzemljenim površinama poput cijevi, radijatora, štednjaka i hladnjaka.** Ako je vaše tijelo uzemljeno, povećava se opasnost od strujnog udara.
- **Nemojte uređaj izlagati kiši ili vlažnim uvjetima.** Ulazak vode u električni alat povećava opasnost od strujnog udara.
- **Nemojte zlorabiti kabel. Nikada nemojte koristiti kabel za nošenje, povlačenje ili isključivanje električnog alata. Držite kabel podalje od topline, ulja, oštih rubova ili pokretnih dijelova uređaja.** Oštećeni ili zapleteni kabeli povećavaju opasnost od strujnog udara.



- Kada radite s električnim alatom na otvorenom, koristite produžni kabel prikladan za rad na otvorenom. Korištenje kabela prikladnog za rad na otvorenom smanjuje opasnost od strujnog udara.
- Ako se ne može izbjeći rad s električnim alatom u vlažnoj lokaciji koristite FID sklopku (RCD uređaj) za zaštitu napajanja. Korištenje RCD uređaja smanjuje opasnost od električnog udara.

OSOBNA SIGURNOST

- Budite na oprezu, gledajte to što radite i pri radu s električnim alatom koristite zdrav razum. Nemojte koristiti električni alat kad ste umorni ili pod utjecajem droge, alkohola ili lijekova. Trenutak nepažnje pri radu s električnim alatima može dovesti do teških osobnih ozljeda.
- Koristite osobnu zaštitnu opremu. Uvijek nosite zaštitna sredstva za oči. Zaštitna oprema poput maske za prašinu, zaštitna obuća sa zaštitom od klizanja, kaciga ili zaštita za uši koja se koristi u odgovarajućim uvjetima smanjuje osobne ozljede.
- Spriječite slučajno pokretanje. Osigurajte da je prije priključivanja na izvor napajanja i/ili baterije, podizanja ili nošenja alata, sklopka u položaju OFF (isključeno). Nošenje električnog alata s vašim prstom na sklopki ili uključivanje električnih alata sa sklopkom postavljenom na položaj on (uključeno) dovodi do nezgoda.
- Prije uključivanja električnog alata uklonite sve klinove za podešavanje i ključeve. Ključ ili klin ostavljen priključen na rotirajućem dijelu električnog alata može dovesti do osobne ozljede.
- Ne sežite preko određene granice. Cijelo vrijeme držite pravilno uporište i ravnotežu. Ovo u neočekivanim situacijama omogućuje bolju kontrolu nad električnim alatom.
- Pravilno se odjenite. Nemojte nositi široku odjeću ili nakit. Kosu, odjeću i rukavice držite podalje od pokretnih dijelova. Široka odjeća, nakit ili dugačka kosa mogu biti zahvaćeni u pokretne dijelove alata.
- Ako su uređaji opremljeni s priključkom aparata za odvajanje i prikupljanje prašine, osigurajte da su oni priključeni i pravilno korišteni. Korištenje uređaja za sakupljanje prašine smanjuje opasnosti vezane uz prašinu.

KORIŠTENJE I BRIGA O ELEKTRIČNOM ALATU

- Nemojte proizvod koristiti iznad njegovih mogućnosti. Za vašu primjenu koristite točan električni alat. Točan električni alat bolje će i sigurnije uraditi posao u odnosu za što je namijenjen.
- Nemojte koristiti električni alat ako ga sklopka pravilno ne uključuje i isključuje. Svaki električni alat koje se ne može kontrolirati pomoću sklopke je opasan i mora se popraviti.
- Prije nego što izvršite bilo kakva podešavanja, zamijenite dodatni pribor ili pohranite električne alate, odspojite utikač iz izvora napajanja i/ili bateriju iz električnog alata. Ovakve preventivne sigurnosne mjere smanjuju opasnost od slučajnog pokretanja električnog alata.

- Električne alate pohranite u stanju mirovanja izvan dohvata djece i ne dopustite rad s električnim alatom osobama koje nisu upoznate s električnim alatom ili ovim uputama. Električni alati su opasni u rukama nestručnih korisnika.
- Održavanje električnih alata. Provjerite radi pogrešnog poravnanja ili savijanja pokretnih dijelova, puknuća dijelova i drugih uvjeta koji mogu utjecati na rad električnog alata. Ako je oštećen, električni alat prije korištenja popravite. Većina nezgoda uzrokovano je od strane električnih alata koji su slabo održavani.
- Rezne alate držite ostrim i čistim. Pravilno održavanim reznim alatima s ostrim rubovima za rezanje, manja je vjerojatnost zahvaćanja i lakše se kontroliraju.
- Koristite električni alat, pribor i dijelove alata itd., u skladu s ovim uputama i uzevši u obzir radne uvjete i rad koji treba izvršiti. Korištenje električnog alata za radove drugačije od njegove namjene može dovesti do opasne situacije.

KORIŠTENJE I BRIGA O AKU ALATU

- Punite samo s punjačem navedenim od proizvođača. Punjač koji je prikladan za jednu vrstu baterija može dovesti do opasnosti od požara kada se koristi s drugom baterijom.
- Koristite AKU alate samo s posebno naznačenim baterijama. Korištenje bilo kojih drugih baterija dovodi do opasnosti od ozljeda i požara.
- Kada se baterija ne koristi držite je dalje od drugih metalnih predmeta kao što su spajalice za papir, kovanice, ključevi, čavli, vijci ili drugi mali metalni predmeti koji mogu spojiti jedan pol na drugi. Kratki spoj polova baterije može izazvati opekotine ili požar.
- Pod uvjetima loma može doći do izbacivanja tekućine iz baterije, izbjegavajte kontakt. Ako dođe do nehotičnog kontakta, isperite to mjesto s vodom. Ako tekućina dospije u oči, dodatno potražite liječničku pomoć. Tekućina koja istječe iz baterije može dovesti do iritacije ili opekotina.

ODRŽAVANJE

- Neka vaš električni alat servisira kvalificirana osoba za popravak koristeći samo identične zamjenske dijelove. Ovo će osigurati da se održi sigurnost električnog alata.

DODATNA SIGURNOSNA UPOZORENJA

- Izbjegavajte nehotično pokretanje alatke. Prije uključivanja proizvoda u napajanje uvijek provjerite da li je prekidač u položaju OFF (isključeno). Ne nosite proizvod priključen na struju s prstom na prekidaču.
- Nemojte uređaj izlagati kiši ili vlažnim uvjetima. Ulazak vode u uređaj povećava opasnost od strujnog udara.
- Napajanje treba biti putem FID sklopke (RCD uređaj) s proradnom strujom ne većom do 30 mA.
- Prije svakog korištenja, provjerite kabel za napajanje na oštećenje. Ako postoje znakovi oštećenja, mora ga zamijeniti ovlaštenu servisnu tehničar. Uvijek odmotajte kabel za napajanje tijekom korištenja, namotani kabel može se ugrijati.





- Ako trebate koristiti produžni kabel, osigurajte da je prikladan za korištenje na otvorenom i da ima dovoljan kapacitet za napajanje alata. Produžni kabel treba imati oznaku „H05 RN-F“ ili „H05 VV-F“. Prije svakog korištenja provjerite na oštećenja produžnog kabela. Uvijek odmotajte produžni kabel tijekom korištenja, namotani kabel može se ugrijati. Oštećene produžne kabele ne treba popravljati, treba ih zamijeniti s odgovarajućim tipom.
- Provjerite je li kabel za napajanje pravilno pozicioniran tako da se na njega ne može stati, zapeti ili drugim predmetima oštetiti ili naprezati.
- Nikada ne podižite ili nosite proizvod za električni kabel.
- Nikada ne povlačite za kabel kako biste ga odspojili iz napajanja.
- Držite kabel za napajanje podalje od topline, ulja i oštrih rubova.
- Uvijek usmjerite kabel u stražnji dio proizvoda.
- Provjerite da li je točno napajanje za vaš proizvod. Nazivna pločica na proizvodu naznačuje napon jedinice. Nikada ne priključujte proizvod na AC napon koji se razlikuje od ovog napona.
- Prije isključivanja iz napajanja provjerite je li prekidač u položaju Off (isključeno) ili uklonite bateriju.

UPORABA

- Ako se kabel ošteti tijekom korištenja, odmah ga odspojite iz napajanja. **Nemojte dodirivati kabel prije nego ga isključite iz napajanja.** Nemojte koristiti uređaj ako je kabel oštećen ili istrošen.
- Radite s uređajem na napajanje u razumne sate – ne rano ujutro ili kasno navečer kada možete uznemiravati ljude.
- Nikada ne radite s proizvodom u eksplozivnoj atmosferi.
- Izbjegavajte korištenje proizvoda u lošim vremenskim uvjetima, posebice ako postoji opasnost od udara munje.
- Nemojte raditi u slabom osvjetljenju. Operateru treba jasan pogled radnog područja kako bi identificirao potencijalne opasnosti.
- Korištenje zaštite za sluh smanjuje vašu mogućnost da čujete upozorenja (viku ili alarme). Rukovatelj mora obratiti posebnu pozornost na to što se događa u radnom području.
- Pazite da vas se ne ometa i uvijek budite koncentrirani na to što radite. Razmislite i imajte na umu efekt vaših radnji.
- Rad u blizini sličnim alatom dovodi do opasnosti povreda sluha i mogućim ulaskom drugih osoba u radno područje.
- Zauzmite čvrst stav i ravnotežu. Ne sežite preko određene granice. Seznanje preko određene granice može imati za posljedicu gubitak ravnoteže.
- Uvijek se čvrsto uprite na kosinama i hodajte, nikada ne trčite.
- Držite sve dijelove tijela dalje od svih pokretnih dijelova. Rotirajuće oštrice propelera mogu izazvati ozbiljne ozljede.
- Nikada nemojte pogoniti uređaj bez pravilno priključene

opreme. Prilikom korištenja pihalice uvijek montirajte cijev pihalice.

- Nemojte modificirati uređaj ni na koji način ili koristiti dijelove ili dodatni pribor koje nije preporučio proizvođač.

⚠ UPOZORENJE

Ako je proizvod ispio, pretrpio težak udar ili abnormalno vibrira, odmah zaustavite proizvod i provjerite na oštećenje ili identificirajte uzrok vibracija. Svaki oštećeni dio trebao bi pravilno popraviti ili zamijeniti ovlašteni servisni centar.

- Za samnjenje opasnosti od povreda povezanih s dodirrom rotirajućih dijelova, uvijek zaustavite proizvod, odspojite napajanje ili uklonite bateriju i provjerite da su svi pokretni dijelovi zaustavljeni prije:
 - prije čišćenja i odblokiranja
 - kada ostavljate proizvod bez nadzora
 - prije ugradnje ili uklanjanja priključaka
 - prije provjere, održavanja ili rada na uređaju
 - nakon odbacivanja nepoznatog predmeta; provjerite uređaj na oštećenja
 - ako uređaj počne abnormalno vibrirati (odmah provjerite)

⚠ UPOZORENJE

Vaša pualica može imati kopču. Pažljivo podesite kopču rad komfora u pomoći podrške težine proizvoda. Pronađite brzi mehanizam za otpuštanje i vježbajte korištenje prije nego počnete koristiti uređaj. Njegovo pravilno korištenje sprječava ozbiljne povrede u slučaju nužde. Nikada ne nosite dodatnu odjeću preko kopče ili na drugi način ne ograničavajte pristup mehanizmu za brzo otpuštanje.

SIGURNOSNA UPOZORENJA VEZANO ZA PUHALICU

- U prašnjavim uvjetima nosite masku za lice s filtrom kako biste smanjili opasnost o ozljeda vezanih uz udisanje prašine.
- Nemojte usmjeravati mlaznicu pihalice u smjeru ljudi ili kućnih ljubimaca.
- Nikada ne postavljajte predmete unutar cijevi pihalice.
- Nemojte raditi s uređajem pored otvorenih prozora.
- Neznatno navlažite površine u prašnjavim uvjetima.
- Koristite produžetak mlaznice za jako puhanje kako bi mlaz zraka radio bliže tla.
- Ne postavljajte pualicu na vrh ili pored hrpe krhotina. Krhotine mogu biti usisane u ulazni otvor za ventilaciju dovodeći do mogućeg oštećenja jedinice.

DODATNA SIGURNOSNA UPOZORENJA - BATERIJA

- Pročitajte, razumite i uvijek slijedite sigurnosne upute koje dolaze s baterijom i punjačem. Nepoštivanje ovog upozorenja može rezultirati električnim udarom, požarom ili drugim opasnim situacijama. Držite



sve upute zajedno na sigurnom mjestu za buduće korištenje.

- AKU alate nije potrebno priključivati u električne utičnice, stoga su uvijek u radnom stanju. Ako se uređaj neće odmah koristiti, nemojte umetati ključ za kontakt.
- Uklonite bateriju prije izvođenja svih podešavanja, čišćenja ili uklanjanja materijala iz uređaja.
- Ne postavljajte uređaje na baterije ili njihove baterije pored plamena ili topline. Ovo će smanjiti opasnost od eksplozije i moguće ozljede.
- Nemojte otvarati ili oštećivati bateriju. Oslobođeni elektroliti su korozivni i mogu dovesti do oštećenja očiju ili kože. Ako se proguta može biti otrovno.
- Zaštitite bateriju od vlage i vode. Ne puniti uređaj u vlažnim ili mokrim mjestima. Tako ćete smanjiti opasnost od požara, strujnog udara ili tjelesnih ozljeda.
- U slučaju oštećenja ili nepravilnog korištenja baterije, može doći do ispuštanja pare. Izidite na svjež zrak i potražite liječničku pomoć u slučaju poteškoća. Pare mogu nadražiti respiratorni sustav.
- Ne ostavljajte bateriju u automobilu tijekom ljeta.
- Nemojte spaljivati bateriju. Kada istekne vijek trajanja baterije, odložite je pravilno i prema lokalnim propisima za vaše područje.
- Pod uvjetima loma može doći do izbacivanja tekućine iz baterije, izbjegavajte kontakt. Ako dođe do nehotičnog kontakta, isperite to mjesto s vodom. Ako tekućina dospije u oči, dodatno potražite liječničku pomoć. Tekućina koja istječe iz baterije može dovesti do iritacije ili opekotina.

PRIJEVOZ I SKLADIŠTENJE

- Zaustavite proizvod, odspojite napajanje ili uklonite bateriju i omogućite mu da se ohladi prije skladištenja ili prijevoza.
- Očistite svaki strani materijal s uređaja. Skladištite ga na suhom i dobro ventiliranom mjestu koje nije pristupačno djeci. Nemojte ju ostavljati u blizini korozivnih agenasa kao ni vrtnih kemijskih proizvoda i soli za odmrzavanje. Ne ostavljajte na otvorenom.
- Za prijevoz, osigurajte uređaj protiv pomicanja ili pada kako biste spriječili povrede osoba ili oštećenja na uređaju.

ODRŽAVANJE

⚠ UPOZORENJE

Koristite samo originalne zamjenske dijelove, dodatni pribor i priključke od proizvođača. Nepoštivanje ovih uputa može dovesti do mogućih ozljeda, loše učinkovitosti i može dovesti do poništenja jamstva.

⚠ UPOZORENJE

Servisiranje iziskuje krajnju pažnju i znanje i treba da ga vrši samo kvalificirani serviser. Za servisiranje mi vam preporučamo da odnesete proizvod u najbliži ovlaštenu servisni centar radi opravke. Prilikom servisiranja koristiti identične zamjenske dijelove.

- Možete izvršiti podešavanja i popravke koji su opisani u ovom priručniku. Za druge popravke, obratite se ovlaštenom servisnom agentu.
- Nakon svakog korištenja proizvod obrišite sa suhom mekom krpom.
- Često provjeravajte sve matice i zavrtnje da li su dobro pritegnuti kako biste bili sigurni da je proizvod u sigurnom radnom stanju. Svaki oštećeni dio trebao bi pravilno popraviti ili zamijeniti ovlaštenu servisni centar.

NAMJENA

Uređaj je namijenjen samo za korištenje na otvorenom.

Ovaj proizvod nije namijenjen za korištenje od strane djece ili osoba sa smanjenim fizičkim, psihičkim ili mentalnim mogućnostima.

Proizvod je namijenjen za ispuhivanje lakih ostataka uključujući lišće, travu i druge vrtno otpatke.

OSTALE OPASNOSTI:

Čak i kad je uređaj korišten kao što je prethodno opisano, još uvijek nije moguće potpuno isključiti ostale čimbenike opasnosti. Može doći do sljedećih opasnosti prilikom korištenja i operater mora obratiti posebnu pozornost kako bi izbjegao sljedeće:

- Ozljede uzrokovane vibracijom. Uvijek koristite pravi alat za posao, koristite označenu kopču i ograničite radno vrijeme i izloženost.
- Izlaganje buci može izazvati povredu sluha. Nosite zaštitu za sluh i ograničite izloženost.
- Može doći do povrede od letjećih predmeta iz cijevi protoka cijevi pihalice ili ispusta usisavača ako vrećica nije postavljena ili je oštećena. Cijelo vrijeme nosite odgovarajuća sredstva za zaštitu očiju.

SMANJENJE OPASNOSTI

Prijavljeno je da vibracije alata koje se drži u ruci kod određenih pojedinaca mogu doprinijeti stanju pod nazivom Raynaud's Syndrome. Simptomi mogu uključivati trnce, ukočenost i bjelinu prstiju, obično uočljivo po izlaganju hladnoći. Smatra se da nasljedne osobine, izlaganje hladnoći i vlazi, dijeta, pušenje i radni postupci pridonose razvoju ovih simptoma. Postoje mjere koje operater može poduzeti kako bi smanjio moguće učinke vibracije:

- Održavajte svoje tijelo toplim u hladnim vremenskim uvjetima. Kad radite s uređajem nosite rukavice kako biste ruke i zglobove održavali toplima. Prijavljeno je da je hladnoća glavni čimbenik koji doprinosi Raynaud's Syndrome.
- Nakon svakog perioda rada vježbajte kako biste povećali cirkulaciju krvi.

- Uzimajte česte stanke u radu. Ograničite količinu izlaganja po danu.

Ako osjetite neke od simptoma ovog stanja, odmah prekinite korištenje i obratite se svome liječniku vezano uz ove simptome.

⚠ UPOZORENJE

Povrede mogu biti uzrokovane ili zadobivene produljenim korištenjem alata. Kada koristite bilo koji alat dulje vremena, osigurajte da uzimate povremene stanke.

UPOZNAJTE SVOJ PROIZVOD

Pogledajte stranicu 131.

- Ručka
- Držač kabela
- Sklopka za Uklj./isklj. (ON/OFF)
- Cijev puhalice
- Mlaznica velike brzine
- Baterija
- Punjač za baterije
- Kabel za napajanje

SIMBOLI NA PROIZVODU



Pročitajte i razumite sve upute prije rada s proizvodom, slijedite sva upozorenja i sigurnosne upute.



Čuvajte se odbačenih ili letećih predmeta. Držite sve promatrače, naročito djecu i kućne ljubimce na udaljenosti ne manjoj od 15 m od radnog područja.



Nosite zaštitu za sluh



Nosite sredstva za zaštitu očiju



Ne izlažite kiši ili vlažnim uvjetima.



Sklopka za OFF (isključivanje): uklonite utikač napajanja prije čišćenja ili održavanja



Ako je kabel oštećen ili prerezan odmah uklonite utikač iz utičnice prije održavanja.



Ovaj alat usklađen je sa svim normama i propisima zemlje Europske unije u kojoj je kupljen.



EurAsian znak konformnosti.



Ukrajinska oznaka za sukladnost



Alat II razreda s dvostrukom izolacijom



Otpadni električni proizvodi ne treba da se odlažu s otpadom iz domaćinstva. Molimo da recikirate gdje je to moguće. Potražite savjet od lokalnih vlasti ili prodavca kako reciklirati.



94 dB

Jamčena razina zvučne snage 94 dB.



Izvor napajanja : Baterija (DC 18 V)



Izvor napajanja : Električni (AC 230 V)

IKONE U OVOM PRIRUČNIKU



Priključite u utičnicu za napajanje



Isključite iz utičnice za napajanje



NAPOMENA:



Upozorenje!

Slijedeće riječi upozorenja i značenja imaju namjeru da objasne nivo rizika u vezi s ovim proizvodom.

⚠ OPASNOST

Ukazuje na neposrednu opasnu situaciju, koja, ukoliko se ne izbjegne, može rezultirati smrću ili opasnim povredama

⚠ UPOZORENJE

Ukazuje na moguću opasnu situaciju, koja, ukoliko se ne izbjegne, može rezultirati smrću ili opasnim povredama

⚠ UPOZORENJE

Ukazuje na moguću opasnu situaciju, koja, ukoliko se ne izbjegne, može rezultirati manjim ili blažim povredama

UPOZORENJE

Bez sigurnosnog simbola upozorenja
Naznačuje situaciju koja može rezultirati oštećenjem imovine.

⚠ OPOZORILO

Med uporabo stroja upoštevajte varnostna navodila. Preden začnete uporabljati izdelek, morate za vašo varnost in varnost prisotnih v celoti prebrati in razumeti ta navodila. Prosimo, shranite ta navodila za kasnejšo rabo.

⚠ OPOZORILO

Izdelek ni namenjen za uporabo s strani otrok ali oseb z zmanjšanimi fizičnimi, duševnimi ali senzoričnimi zmožnostmi. Otroke nenehno primerno nadzorujte, da se ne bodo igrali z napravo.

URJENJE

- Pazljivo preberite navodila. Seznanite se s krmilnimi elementi in pravilno uporabo izdelka.
- Nikoli ne dovolite otrokom, osebam z zmanjšanimi fizičnimi, senzoričnimi ali mentalnimi zmožnostmi ali osebam s pomanjkanjem izkušenj ali znanja ter osebam, ki niso seznanjene s temi navodili, da uporabljajo izdelek. Lokalni predpisi se morda nanašajo tudi na minimalno starost upravitelja.
- Pomnite, da je upravitelj oz. uporabnik odgovoren za nesreče ali nevarnosti, ki se pripetijo ostalim ljudem ali njihovi lastnini.
- Prisotni, otroci in živali naj bodo vsaj 15 m oddaljeni od delovnega območja. Če kdorkoli vstopi v delovno območje, zaustavite napravo.

PRIPRAVA

- V nekaterih regijah predpisi omejujejo uporabo izdelka na določene namene. Za nasvet se obrnite na lokalne oblasti.
- Med upravljanjem izdelka vedno nosite ustrezno obutev in dolge hlače. Naprave ne uporabljajte, če ste bos ali nosite odprte sandale. Izogibajte se nošenju ohlapnih oblačil ali oblačil z odstopajočimi dodatki, saj se lahko ujamejo med premične dele.
- Ne nosite ohlapnih oblačil ali nakita, ki bi se lahko ujel v dovod zraka.
- Dolge lase si spnite nad rameni in tako preprečite, da bi se ujeli v premikajoče se dele.
- Med celotnim upravljanjem izdelka vedno nosite popolno zaščito za ušesa. Ta naprava je izredno hrupna in lahko povzroči trajne poškodbe sluha, če ne upoštevate previdnostnih ukrepov glede omejitve izpostavljenosti, zmanjšanja hrupa in nošenja zaščite za sluh.
- Med celotnim upravljanjem tega izdelka vedno nosite popolno zaščito za oči. Proizvajalec močno priporoča ščitnik za celotni obraz in popolnoma zaprta očala. Navadna očala ali sončna očala niso zadostna zaščita. Močan zračni vrtnec lahko kadarkoli zelo hitro vrže predmete, ki se lahko od trde površine odbijejo proti uporabniku.
- Pred vsako uporabo zagotovite, da vse kontrole in varnostne naprave delujejo pravilno. Orodja ne uporabljajte, če stikalo za izklop ne ustavi izdelka.

- Pred vsako uporabo vedno vizualno preverite, da je ohišje nepoškodovano in da so varovala in ročaji na mestu in pravilno pritrjeni.
- Poškodovane ali nečitljive nalepke naj zamenjajo v pooblaščenem servisnem centru.
- Nikoli ne upravljajte izdelka s poškodovanimi varovali ali zaščitami, brez varovalnih naprav kot na primer brez nameščenega zbiralca ostankov.
- Poskrbite, da bodo odprtine za zračenje čiste.
- Pred uporabo puhalnika/sesalnika z grabljami zrahljajte sprjeti material.
- Pred vsako uporabo temeljito očistite območje obratovanja. Odstranite vse predmete, kot so skale, razlomljeno steklo, žebliji, žice ali dele vrvi, ki bi med delovanjem lahko odleteli.

SPLOŠNA VARNOSTNA OPOZORIILA

⚠ OPOZORILO

Preberite vsa varnostna opozorila in navodila. Zaradi neupoštevanja opozoril in navodil lahko pride do električnega udara, požara in/ali resnih poškodb.

Save all warnings and instructions for future reference.

Izraz »električno orodje« v opozorilih se nanaša na orodja, ki jih poganja električni tok (žična), ali na akumulatorska (brezžična) orodja.

DELOVNO OBMOČJE

- **Delovno območje naj bo čisto in dobro osvetljeno.** V neurejenih in temnih območjih se rade zgodijo nesreče.
- **Električnih orodij ne uporabljajte v eksplozivnih okoljih npr. v bližini vnetljivih tekočin, plinov ali prahu.** Električna orodja proizvajajo iskre, ki lahko vnamejo prah ali hlape.
- **Med uporabo električnega orodja v bližino ne pustite otrok in drugih ljudi.** Zaradi zmanjšane koncentracije lahko izgubite nadzor.

ELEKTRIČNA VARNOST

- **Vtiči električnih orodij se morajo prilegati vtičnicam. Vtiča nikoli in na noben način ne smete spreminjati. Z ozemljenimi električnimi orodji ne uporabljajte adapterjev vtiča.** Nespremenjeni vtiči in ustrezne vtičnice zmanjšajo tveganje električnega udara.
- **Izogibajte se telesnemu stiku z ozemljenimi površinami, kot so cevi, radiatorji, kuhalniki in hladilniki.** Če je vaše telo ozemljeno, obstaja povečano tveganje električnega udara.
- **Izdelka ne izpostavljajte dežju ali vlažnim pogojem.** Voda v električnem orodju znatno poveča tveganje električnega udara.
- **Kabla ne uporabljajte za neustrezne namene. Kabla nikoli ne uporabljajte za prenašanje, vleko ali izklop električnega orodja. Pazite, da kabel ne pride v stik z vročino, oljem, ostrimi robovi ali gibljivimi deli.** Poškodovani ali zapleteni kabli zvišujejo tveganje električnega udara.
- **Med uporabo električnega orodja na prostem**



uporabljajte podaljševalni kabel, ki je primeren za zunanjo uporabo. Uporaba kabla, primernega za zunanjo uporabo, znižuje tveganje električnega udara.

- Če je delo z električnim orodjem v vlažnem okolju neizogibno, uporabite tokovno zaščitno stikalo (RCD). Uporaba naprave RCD zmanjša tveganje za električni udar.

OSEBNA VARNOST

- Med obratovanjem bodite pozorni, spremljajte potek dela in uporabljajte zdrav razum. Električnega orodja ne uporabljajte, ko ste utrujeni oz. pod vplivom drog, alkohola ali zdravil. Trenutek nepazljivosti med uporabo električnega orodja lahko povzroči hude telesne poškodbe.
- Uporabljajte osebno zaščitno opremo. Vedno nosite zaščito za oči. Če v različnih okoliščinah nosite ustrezno zaščitno opremo, kot so maska proti prahu, obutev z nedrsečim podplatom, trdno pokrivalo glave in zaščita za sluh, zmanjšate možnost telesnih poškodb.
- Preprečite neželen zagon. Preden orodje priključite na vir napajanja, vstavite baterije, ga vzamete v roke ali prenašate, se prepričajte, da je stikalo v izključenem položaju. Prenašanje električnih orodij, tako da prst držite na stikalu, ali dovajanje napajanja električnim orodjem, pri katerih je stikalo v položaju »on (vklop)« poveča tveganje nesreč.
- Pred vklopom električnega orodja odstranite morebitne nastavitvene ključe ali izvijače. Izvijač ali ključ, ki ostane pritrjen na vrtljivi del električnega orodja, lahko povzroči telesne poškodbe.
- Nesiahajte priliš d'aleko. Pazite, da stojite stabilno in da imate ravnotežje. To omogoča boljši nadzor nad električnim orodjem v nepričakovanih situacijah.
- Bodite primerno oblečeni. Ne nosite ohlapnih oblačil ali nakita. Pazite, da lasje, oblačila in rokavice ne pridejo v bližino gibljivih delov. Ohlapna oblačila, nakit ali dolgi lasje se lahko zapletejo v gibljive dele.
- Če so naprave namenjene priključitvi na pripomočke za sesanje in zbiranje prahu, se prepričajte, da so ti priključeni in ustrezno uporabljeni. Uporaba zbiralca prahu lahko zmanjša nevarnosti, povezane s prahom.

UPORABA IN NEGA ELEKTRIČNEGA ORODJA

- Izdelka ne preobremenjujte. Uporabite električno orodje, ki ustreza vašemu delu. Ustrezno električno orodje bo nalogo opravilo bolje in varneje v kategoriji, za katero je bilo zasnovano.
- Ne uporabljajte električnega orodja, če ga stikalo ne vklopi ali izklopi, kot bi bilo treba. Kakršno koli električno orodje, ki ga ni mogoče nadzirati s stikalom, je nevarno in ga je potrebno popraviti.
- Odklopite vtič z vira napajanja in/ali baterije, preden opravljate kakršne koli prilagoditve, menjate dodatke ali shranjujete električno orodje. Tovrstni preventivni varnostni ukrepi zmanjšajo možnost slučajnega zagona električnega orodja.
- Električna orodja, ki niso v uporabi, shranjujte izven dosega otrok in ne dovolite, da bi električno orodje uporabljale osebe, ki niso seznanjene z električnim

orodjem ali s temi navodili. Električna orodja so v rokah neusposobljenih uporabnikov nevarna.

- Električna orodja redno vzdržujte. Preverite, če so gibljivi deli napačno poravnani ali zaskočeni, če so sestavni deli polomljeni ali če obstaja kakršno koli druge stanje, ki lahko vpliva na varno delovanje električnega orodja. Če je električno orodje poškodovano, ga pred ponovno uporabo dajte v popravilo. Številne nesreče zakrivijo neustrezno vzdrževana električna orodja.
- Rezalna orodja naj bodo vedno nabrušena in čista. Pravilno vzdrževana rezalna orodja z ostrimi rezili se težje zaskočijo in jih je lažje nadzirati.
- Električno orodje, dodatke, nastavke za orodje itd. uporabljajte v skladu s temi navodili ter upoštevajte delovne pogoje in vrsto dela, ki ga boste izvajali. Uporaba električnega orodja za namene, ki so drugačni od tistih, za katere je bilo orodje zasnovano, lahko povzroči nevarne situacije.

UPORABA IN VZDRŽEVANJE BATERIJSKEGA ORODJA

- Baterijo polnite le s polnilnikom, ki ga določa proizvajalec. Polnilnik, ki ustreza eni vrsti baterij, morda lahko povzroči požar, če z njim polnite drugo vrsto baterij.
- Baterijska orodja uporabljajte samo s predpisano vrsto baterij. Uporaba katerih koli drugih baterij ustvari tveganje poškodb in požara.
- Ko baterije ne uporabljate, pazite, da bo odmaknjena od kovinskih predmetov, kot so papirne sponke, kovanci, ključi, žebliji, vijaki ali drugih majhni kovinski predmeti, ki bi lahko povzročili povezavo med obema terminaloma. Kratek stik zaradi povezanih terminalov baterije lahko povzroči opeklino ali požar.
- Ob zlorabi baterije lahko iz nje steče tekočina. Če se po nesreči dotaknete tekočine, mesto dotika sperite z vodo. Če pride tekočina v stik z očmi, poiščite zdravstveno pomoč. Tekočina, ki izteče iz baterije, lahko povzroči vnetje ali opeklino.

SERVISIRANJE

- Električno orodje naj servisira usposobljena oseba, uporabljati pa sme le originalne nadomestne dele. To bo zagotovilo vzdrževanje varnostni električnega orodja.

DODATNA VARNOSTNA OPOZORILA

- Izogibajte se nenamernemu zaganjanju naprave. Preden izdelek priključite na napajanje, preverite če je stikalo v položaju OFF (IZKLOP). Ne nosite vklapljenega izdelka s prstom na stikalu.
- Izdelka ne izpostavljajte dežju ali vlažnim pogojem. Voda, ki vstopi v napravo, zviša tveganje za električni udar.
- Napajanje naprave mora imeti napravo za rezidualni tok (RCD), tok naj ne presega 30 mA.
- Pred vsako uporabo preverite, če je napajalni kabel poškodovan. Če obstajajo znaki poškodb, morajo zamenjavo opraviti na pooblaščenem servisu. Kadar





izdelek uporabljate, vedno odvijte napajalni kabel; zaviti kabli se lahko pregrejejo.

- Če morate uporabiti električni podaljšek, zagotovite, da je primeren za zunanjo uporabo in je zadostno zmogljiv za napajanje vašega orodja. Električni podaljšek mora biti označen z oznako »H05 RN-F« ali »H05 VV-F«. Pred vsako uporabo preverite, ali je električni podaljšek poškodovan. Kadar izdelek uporabljate, vedno odvijte električni podaljšek, saj se lahko oviti kabli pregrejejo. Poškodovane podaljševalne kable ne smete popravljati, temveč jih zamenjajte s kablom enakovredne vrste.
- Prepričajte se, da je napajalni kabel napeljan tako, da nanj nič ali nihče ne more pasti, stopiti, se obenj spotakniti ali ga kakorkoli poškodovati.
- Izdelka nikoli ne dvigujte in ne prenašajte za električni kabel.
- Ko odstranjujete vtičak iz vtičnice, nikoli ne vlecite za napajalni kabel.
- Kabel držite proč od vročine, olja ali ostrih robov.
- Električni kabel vedno usmerite stran od zadnjega dela izdelka.
- Prepričajte se, da napetost ustreza izdelku. Imenska ploščica na izdelku prikazuje napetost naprave. Nikoli ne priklaplajte izdelka na izmenično napetost, drugačno od navedene.
- Stikalo mora biti v položaju za izklop (OFF), preden odklopite napajanje ali odstranite baterijo.

DELOVANJE

- Če se kabel med uporabo poškoduje, ga takoj odklopite iz električne vtičnice. **Ne dotikajte se kabla, preden ne prekinete napajanja z elektriko.** Do not use the machine if the cord is damaged or worn.
- Napravo uporabljajte le ob primernih urah – ne zgodaj zjutraj ali pozno zvečer, ko bi lahko koga motili.
- Naprave nikoli ne uporabljajte v eksplozivnem ozračju.
- Izogibajte se uporabi izdelka v slabih vremenskih pogojih, še posebej, če obstaja nevarnost strele.
- S cepilnikom ne upravljajte pri slabi osvetljavi. Upravljaavec mora imeti jasen pregled nad delovnim območjem, da lahko prepozna morebitne nevarnosti.
- Zaščita za sluh zmanjša vašo sposobnost, da slišite opozorila (alarne ali klice). Upravljaavec mora še bolj paziti na dogajanje v okolici.
- Med obratovanjem bodite osredotočeni na delo in se ne dajte motiti. Dobro premislite o svojih dejanjih pretehtajte njihove posledice.
- Uporaba podobnih orodij v bližini poveča nevarnost za poškodbe sluha in nevarnost, da druge osebe vstopijo v vaše delovno območje.
- Pazite na ravnotežje in ne pretiravajte. Nesiahajte prilišč daleko. Pretiravanje lahko povzroči izgubo ravnotežja.
- Vedno trdno stojite na neravnih površinah in hodite, nikoli ne tecite.
- Dele telesa držite proč od premikajočih se delov. Vrteči se kraki rotorja lahko povzročijo hude poškodbe.
- Naprave nikoli ne vklopite brez nameščene ustrezne opreme. Ko napravo uporabljate kot puhalnik, vedno namestite cevi za puhalnik.

- Na noben način ne spreminjajte naprave ter ne uporabljajte delov in dodatkov, ki jih ne priporoča proizvajalec.

⚠ OPOZORILO

Če izdelek pade, močno trči ali začne nenormalno vibrirati, ga nemudoma zaustavite in preverite, ali je poškodovan oziroma poiščite vzrok vibriranja. Vsakršno poškodbo mora ustrezno popraviti ali zamenjati pooblaščen servisni center.

- Da zmanjšate tveganje poškodb, povezanih z vrtečimi se deli, izdelek vedno zaustavite, odklopite napajanje ali odstranite baterijo ter se prepričajte, da so se vsi vrteči se deli ustavili:
 - pred čiščenjem ali odstranjevanjem blokade
 - ko pustite izdelek brez nadzora
 - pred nameščanjem ali odstranjevanjem pripomočkov
 - pred preverjanjem in vzdrževanjem izdelka ali delom na njem
 - ko zadenete tujek, preverite, ali je izdelek poškodovan
 - če izdelek začne nenormalno vibrirati (preverite nemudoma).

⚠ OPOZORILO

Puhalnik ima lahko priložen oprtnik. Previdno prilagodite jermen, da vam bo na udoben način pomagal podpirati težo izdelka.

Preden začnete uporabljati napravo, poiščite hitri odpenjalni mehanizem in vadite njegovo uporabo. Pravilna uporaba lahko prepreči hude telesne poškodbe v nujnem primeru. Nikoli ne nosite oblačil prek traka za nošenje ali kako drugače omejite dostop do mehanizma za hitro sprostitvev.

VARNOSTNA OPOZORILA ZA PUHALNIK

- V okolju z veliko prahu uporabljajte obrazni filter, saj tako zmanjšate tveganje za poškodbe, ki bi nastale zaradi vdihavanja prahu.
- Šobe puhalnika ne usmerjajte proti ljudem ali živalim.
- V cevi puhalnika nikoli ne dajajte predmetov.
- Naprave ne uporabljajte blizu odprtih oken.
- V prašnih pogojih površine nekoliko navlažite
- Uporabite podaljšek šobe puhalnika, tako da lahko zračni curek deluje zelo blizu tlom.
- Puhalnika ne postavljajte na vrh ali poleg odpadkov. Odpadke bi lahko povleklo v vhodno prezračevalno cev puhalnika, zaradi česar se enota lahko poškoduje.

DODATNA VARNOSTNA OPOZORILA - AKUMULATOR

- Varnostna navodila, priložena bateriji in polnilniku, morate prebrati, jih razumeti in vedno upoštevati. Če tega ne storite, lahko pride do električnega udara, požara ali drugih nevarnih situacij. Vsa navodila hranite skupaj na varnem mestu za bodočo referenco.





- Baterijskih orodij ni potrebno vključiti v električno vtičnico, zato so vedno v stanju delovanja. Če naprave ne nameravate uporabiti takoj, ne vstavljajte izolacijskega ključa.
- Pred nastavljanjem, čiščenjem ali odstranjevanjem materiala iz enote iz nje odstranite baterijo.
- Baterijskih izdelkov ali baterij ne postavljajte v bližino ognja ali vročine. To zmanjša nevarnost eksplozije ter telesnih poškodb.
- Baterije ne odpirajte in je ne poškodujte. Sproščeni elektroliti so korozivni in lahko poškodujejo oči ali kožo. Lahko so strupeni, če jih zaužijete.
- Baterijo zaščitite pred vlago in vodo. Enote ne polnite v vlažnih ali mokrih pogojih. Če boste ravnali tako, boste zmanjšali možnost električnega udara, požara in resnih telesnih poškodb.
- V primeru poškodbe in napačne rabe baterije lahko pride do hlapenja. Poskrbite, da bo zrak čist, v primeru težav pa poiščite zdravniško pomoč. Hlapi lahko dražijo dihalni sistem.
- Poleti baterije ne puščajte v avtomobilu.
- Baterije ne sežigajte. Ko bateriji poteče življenjska doba, jo zavrzite v skladu z lokalnimi predpisi.
- Ob zlorabi baterije lahko iz nje steče tekočina. Če se po nesreči dotaknete tekočine, mesto dotika sperite z vodo. Če pride tekočina v stik z očmi, poiščite zdravstveno pomoč. Tekočina, ki izteče iz baterije, lahko povzroči vnetje ali opekline.

TRANSPORT IN SHRANJEVANJE

- Zaustavite izdelek, odklopite napajanje ali odstranite baterijo ter pustite, da se izdelek ohladi, preden ga shranite ali transportirate.
- Očistite vse tujke z izdelka. Shranite jo na suhem in dobro prezračenem mestu, ki ni na dosegu otrok. Hranite proč od jedkih sredstev, kot so kemikalije za vrtnarjenje in soli za odmrzovanje. Ne shranjujte na prostem.
- Pri transportiranju napravo zavarujte tako, da se ne bo premikala ali padla, in tako preprečite poškodbe oseb ali naprave.

VZDRŽEVANJE

⚠ OPOZORILO

Uporabljajte le originalne rezervne dele in dodatke, ki jih priporoča proizvajalec. V nasprotnem primeru naprava lahko slabo deluje, povzroči poškodbe, garancija pa ne velja več.

⚠ OPOZORILO

Servisiranje zahteva posebno pozornost in znanje in naj jo zato opravlja samo izurjeni servisni tehnik. Servisiranje in popravila izdelka vam priporočamo pri vašem najbližjem pooblaščenem servisnem centru. Pri servisiranju uporabljajte le identične nadomestne dele.

- Opravljati smete le nastavitve in popravila, ki so opisana v teh navodilih za uporabo. Za ostala popravila se obrnite na pooblaščenega serviserja.
- Po vsaki uporabi izdelek očistite z mehko in suho krpo.
- Pogosto preverjajte, ali so vse matice in vijaki dobro priti in tako zagotovite varno delovno stanje izdelka. Vsak poškodovani del mora ustrezno popraviti ali zamenjati pooblaščen servisni center.

NAMEN UPORABE

Izdelek je namenjen izključno zunanji uporabi.

Izdelek ni namenjen za uporabo s strani otrok ali oseb z zmanjšanimi fizičnimi, duševnimi ali senzoričnimi zmožnostmi.

Izdelek je namenjen za pihanje lahkih smeti vključno z listjem, travo in drugimi vrtnimi odpadki.

REZIDUALNA TVEGANJA:

Tudi če napravo uporabljate tako, kot je predpisano, ni mogoče popolnoma odpraviti določenih preostalih dejavnikov tveganja. Med uporabo se lahko pojavijo naslednje nevarnosti, upravljevec pa naj bo pozoren na sledeče:

- Poškodbe zaradi vibracij. Vedno uporabljajte pravo orodje za opravilo, uporabite ustrezne ročaje in omejite delovni čas in izpostavljenost.
- Izpostavljenost hrupu lahko povzroči poškodbo sluha. Nosite zaščito za sluh in omejite izpostavljenost.
- Pride lahko do poškodb zaradi delcev, ki odletijo iz pihalne cevi ali oddušne cevi sesalnika, če vreča ni nameščena ali je poškodovana. Vedno nosite ustrezno zaščito za vid.

ZMANJŠANJE TVEGANJA

Ugotovljeno je bilo, da lahko pri nekaterih posameznikih vibracije ročnih orodij povzročijo Raynaudov sindrom. Simptomi so lahko mravljinici, otrplost in pobledele prsti, kar je običajno vidno, kadar je oseba izpostavljena mrazu. Dedni dejavniki, izpostavljenost mrazu in vlagi, dieta, kajenje in delovne navade naj bi pripomogle k razvoju teh simptomov. Za zmanjšanje učinkov vibracij lahko upravljevec upošteva naslednja navodila:

- Poskrbite, da bo vaše telo na mrazu toplo. Med upravljanjem nosite rokavice in tako ohranjajte toploto vaših dlani in zapestij. Kot poročajo, je mraz glavni dejavnik, ki prispeva k Raynaudovemu sindromu.
- Po vsakem obdobju upravljanja naprave telovadite in tako pospešite krvni obtok.
- Pogosto si vzemite odmor. Omejite dnevno količino izpostavljenosti.

Če zaznavate kakršne koli simptome takšnega stanja, takoj prenehajte z uporabo naprave in se o simptomih posvetujte z zdravnikom.



⚠ OPOZORILO

Daljša uporaba orodja lahko privede do poškodb ali pa so poškodbe lahko hujše. Kadar orodje uporabljate dalj časa, si večkrat vzemite odmor.

SPOZNAJTE SVOJ IZDELEK

Glejte stran 131.

1. Ročaj
2. Držalo kabla
3. Stikalo za vklop/izklop
4. Cev puhalnika
5. Visokohitrostna šoba
6. Akumulator
7. Polnilnik baterij
8. Napajalni kabel

SIMBOLI NA IZDELKU



Pred uporabo izdelka morate prebrati in razumeti vsa navodila, upoštevati vsa opozorila in varnostne napotke.



Pazite na izvržene ali leteče predmete. Prisotni, še posebej otroci in živali, naj bodo med obratovanjem oddaljeni vsaj 15m od delovnega območja.



Wear ear protection



Nosite zaščito za oči



Ne izpostavljajte ga dežju ali vlagi.



Izključeno: pred čiščenjem ali vzdrževanjem odstranite vtičač iz glavnega napajanja



Pred vzdrževanjem oziroma če je kabel poškodovan ali prerezan, takoj izvlecite vtič iz glavnega omrežja.



Ustreza vsem predpisanim standardom v državi članici EU, kjer je bil kupljen izdelek.



EurAsian oznaka o skladnosti.



Ukrajinska oznaka za skladnost



Orodje razreda II, dvojna izolacija



Odpadne električne izdelke odlagajte skupaj z ostalimi gospodinjstvi odpadki. Reciklažo opravljajte na predpisanih mestih. Za reciklažni nasvet se obrnite na lokalne oblasti.



Zajamčena raven zvočne moči je 94 dB.



Napajanje : Akumulator (DC 18 V)



Napajanje : Električni (AC 230 V)

IKONE V TEM PRIROČNIKU



Priključite v vtičnico



Izključite iz vtičnice



OPOMBA:



Opozorilo!

Sledeče signalne besede in pomeni naj bi pojasnili ravni tveganja, ki so povezane s tem izdelkom.

⚠ NEVARNOST

Označuje neizbežno tvegano stanje, ki če se ji ne izognete lahko povzroči smrt ali resno poškodbo.

⚠ OPOZORILO

Označuje morebitno tvegano stanje, ki če se ji ne izognete lahko povzroči smrt ali resno poškodbo.

⚠ POZOR

Označuje morebitno tvegano stanje, ki če se mu ne izognete lahko povzroči manjšo ali srednje resno poškodbo.

POZOR

Brez simbola za varnostno opozorilo

Prikazuje situacijo, ki lahko povzroči materialno škodo.



⚠ VAROVANIE

Pri používaní tohto produktu sa musia dodržiavať bezpečnostné zásady. Pre vašu vlastnú bezpečnosť a bezpečnosť okolostojacich osôb si pred použitím produktu musíte prečítať tento návod a porozumieť všetkým jeho pokynom. Odložte si tento návod na neskoršie použitie.

⚠ VAROVANIE

Produkt nie je určený na použitie deťmi alebo osobami so zníženými fyzickými, duševnými alebo zmyslovými schopnosťami. Deti musia byť pod primeraným dozorom, aby sa nemohli s produktom hrať.

ŠKOLENIE

- Pozorne si prečítajte pokyny. Oboznámte sa s ovládacími prvkami a správnu obsluhu produktu.
- Nikdy nedovoľte deťom, osobám so zníženými fyzickými, duševnými alebo zmyslovými schopnosťami alebo s nedostatočnými skúsenosťami a znalosťami alebo osobám, ktoré nie sú oboznámené s týmito návodom, používať produkt. Miestne platné predpisy môžu obmedzovať dobu použitia kosačky.
- Užívateľ alebo obsluha stroja sú zodpovední za nehody alebo škody na majetku a za nebezpečenstvo vzniknuté pri prevádzke stroja.
- Okolostojace osoby, deti a domáce zvieratá, musia stáť min. 15 m od pracovného priestoru. Ak nejaká osoba vstúpi do pracovného priestoru, zastavte stroj.

PRIPRAVA

- Niektoré regióny majú nariadenia, ktoré obmedzujú použitie produktu na určité operácie. Poradte sa s miestnym úradom.
- Pri práci s produktom vždy používajte pevnú obuv a dlhé nohavice. Nepoužívajte nástroj bosí alebo v otvorených sandáloch. Nenoste odev, ktorý je voľný alebo má voľne visiace šnúrky či pútka – môžu sa zachytiť do pohybujúcich sa dielov.
- Nenoste voľný odev, ani šperky, ktoré by sa mohli vtiahnuť do prívodu vzduchu.
- Dlhé vlasy zaistite, aby boli nad úrovňou pliec a nedošlo tak k ich zamotaniu do pohyblivých dielov.
- Pri práci s produktom neustále používajte ochranu sluchu. Toto zariadenie je veľmi hlučné a v prípade, že nevykonáte žiadne prísne opatrenia, ktoré by zamedzili vystaveniu hluku, znížili hluk alebo nebudete používať ochranu sluchu, môže dôjsť k trvalej strate sluchu.
- Pri práci s produktom neustále používajte kompletnú ochranu zraku. Výrobca dôrazne odporúča celotvárovú masku alebo úplne uzavreté ochranné okuliare. Štandardné okuliare alebo slnečné okuliare nie sú primeranou ochranou. Siný prúd vzduchu môže kedykoľvek spôsobiť vymrštenie predmetov vysokou rýchlosťou a tieto sa môžu odraziť od pevných povrchov smerom k obsluhujúcemu.
- Pred každým použitím skontrolujte, či všetky ovládacie prvky a bezpečnostné zariadenia fungujú správne.

Nástroj nepoužívajte, ak spínač nevypína produkt.

- Pred každým použitím vždy vizuálne skontrolujte, či nie je poškodený plášť a či vodiace kryty a rukoväte sú na svojom mieste a správne zaistené.
- Výmenu poškodených alebo nečitateľných štítkov vykonávajú v autorizovanom servisnom centre.
- Nikdy nepracujte so zariadením, ktoré má poškodené ochranné vodidlá alebo kryty alebo nemá nasadené bezpečnostné zariadenia, napríklad zberač sutiny.
- Zo všetkých otvorov na chladiaci vzduch odstraňujte úlomky.
- Na uvoľnenie sutiny pred fúkaním či vysávaním použite hrable a metly.
- Pred každým použitím vyčistite pracovisko. Odstráňte všetky objekty ako kamene, rozbité sklo, klince, drôty alebo pružiny, ktoré by sa mohli vymrštiť do značnej vzdialenosti následkom vysokej rýchlosti vzduchu.

VŠEOBECNÉ BEZPEČNOSTNÉ VÝSTRAHY

⚠ VAROVANIE

Prečítajte si všetky bezpečnostné výstrahy a pokyny. Pri nedodržaní týchto výstrah a pokynov môže dôjsť k úrazu elektrickým prúdom, požiaru a/alebo závažnému poraneniu.

Save all warnings and instructions for future reference.

Pojem „mechanický nástroj“ vo výstrahách sa vzťahuje na váš sieťový (káblový) mechanický nástroj alebo akumulátorový (bezkáblový) mechanický nástroj.

PRACOVNÝ PRIESTOR

- **Pracovisko udržiavajte v čistote a správne osvetlené.** Prepchané alebo tmavé miesta zvyšujú pravdepodobnosť nehôd.
- **Nepracujte s mechanickými nástrojmi vo výbušných atmosférach, napríklad v blízkosti zápalných tekutín, plynov alebo prachu.** Mechanické nástroje vytvárajú iskry, ktoré môžu podpáliť takýto prach alebo výpary.
- **Deti a okolostojaci sa počas práce s mechanickým nástrojom nesmú zdržovať v jeho blízkosti.** Rozptýlenie môže spôsobiť, že stratíte nad nástrojom kontrolu.

ELEKTRICKÁ BEZPEČNOSŤ

- **Zástrčky mechanického nástroja musia zodpovedať zásuvke. Zástrčku nikdy žiadnym spôsobom neupravujte. S uzemnenými mechanickými nástrojmi nepoužívajte rozdvojné zásuvky.** Použitím neupravovaných zástrčiek a zodpovedajúcich zásuviek sa znižuje riziko úrazu elektrickým prúdom.
- **Vyhýbajte sa telesnému kontaktu s uzemnenými povrchmi, napríklad rúrami, radiátormi, sporákmi a chladničkami.** Ak je vaše telo uzemnené, hrozí vysoké riziko úrazu elektrickým prúdom.
- **Produkt nevystavujte dažďu ani mokrému prostrediu.** Voda, ktorá vnikne do mechanického nástroja, zvyšuje riziko úrazu elektrickým prúdom.

EN
FR
DE
ES
IT
NL
PT
DA
SV
FI
NO
RU
PL
CS
HU
RO
LV
LT
ET
HR
SL
SK
BG





- **Kábel nenamáhajte. Nikdy nepoužívajte kábel na prenášanie, ťahanie alebo odpájanie mechanického nástroja.** Kábel nedávajte do blízkosti tepla, oleja, ostrých okrajov alebo pohyblivých dielov. Poškodené alebo zamotané káble zvyšujú riziko úrazu elektrickým prúdom.
- **Pri práci s mechanickým nástrojom v exteriéri používajte predlžovací kábel vhodný pre použitie v exteriéri.** S káblom vhodným pre použitie v exteriéri sa znižuje riziko úrazu elektrickým prúdom.
- **Ak je nevyhnutné pracovať s mechanickým nástrojom vo vlhkom prostredí, použite zdroj chránený zariadením pre zvyškový prúd.** Použitie zariadenia pre zvyškový prúd znižuje riziko úrazu elektrickým prúdom.

OSOBNÁ BEZPEČNOSŤ

- **Pri práci s mechanickým nástrojom buďte ostražití, sledujte, čo robíte a používajte zdravý rozum. Nepoužívajte mechanický nástroj, keď ste unavení alebo pod vplyvom drog, alkoholu alebo liekov.** Chvíľa nepozornosti počas práce s mechanickými nástrojmi môže spôsobiť závažné osobné poranenie.
- **Používajte osobné ochranné pomôcky. Vždy používajte chrániče zraku.** Ochranné pomôcky ako protiprachová maska, protišmyková bezpečnostná obuv, pevný klobúk alebo chrániče sluchu, používané pre príslušné podmienky, znižujú riziko vzniku osobného poranenia.
- **Zabráňte neúmyselnému spusteniu. Pred zapojením zariadenia do siete a/alebo k jednotke akumulátora, zdvíhaním alebo prenášaním nástroja vždy skontrolujte, či je spínač vo vypnutej polohe.** Pri prenášaní mechanických nástrojov s prstom položeným na spínači alebo pripájaní mechanických nástrojov so zapnutým spínačom sa zvyšuje riziko úrazu.
- **Pred zapnutím nástroja odstráňte prípadný nastavovací klin alebo kľúč.** Keď necháte kľúč alebo klin nasadený na rotujúci diel mechanického nástroja, môže dôjsť k vážnemu poraneniu osôb.
- **Neprečeňujte sa. Neustále zachovávajte pevnú oporu nôh a rovnováhu.** Tak si zaistíte lepšiu kontrolu nad mechanickým nástrojom v nečakaných situáciách.
- **Primerane sa oblečte. Nenoste voľný odev ani šperky. Vlasy, odev a rukavice nepribližujte k pohyblivým sa dielom.** Voľný odev, šperky či dlhé vlasy sa môžu zachytiť do pohyblivých častí.
- **Ak sú zariadenia vybavené pripojením na prostriedky na odsávanie a zber prachu, zaistite, aby boli správne pripojené a primerane sa používali.** Pri použití týchto prostriedkov sa znižujú riziká pochádzajúce z prachu.

POUŽÍVANIE ELEKTRICKÉHO NÁSTROJA A STAROSTLIVOSŤ OŇ

- **Na nástroj nevyvíjajte silu. Používajte vhodný nástroj pre dané použitie.** Správny mechanický nástroj splní svoju úlohu lepšie a bezpečnejšie pri rýchlosti, na ktorú je určený.
- **Mechanický nástroj nepoužívajte, ak spínač**

nezapína a nevypína nástroj. Mechanický nástroj, ktorý sa nedá ovládať spínačom, je nebezpečný a musí sa dať opraviť.

- **Pred vykonaním akýchkoľvek úprav, výmene príslušenstva alebo odložením mechanického nástroja odpojte zástrčku zo sieťovej zásuvky a/alebo jednotky akumulátora.** Takéto preventívne opatrenie znižuje riziko neúmyselného spustenia mechanického nástroja.
- **Nečinné mechanické nástroje odložte mimo dosahu detí a nedovoľte používať mechanický nástroj osobám neoboznámeným s mechanickým nástrojom alebo týmito pokynmi.** Mechanické nástroje sú v rukách netrénovaných osôb nebezpečné.
- **Na mechanických nástrojoch vykonávajte údržbu. Skontrolujte, či pohyblivé diely nie sú nesprávne nastavené alebo zablokované, či niektoré diely nie sú poškodené, ako aj akýkoľvek iný stav, ktorý by mohol ovplyvniť činnosť mechanického nástroja. V prípade poškodenia nechajte mechanický nástroj pre použitím opraviť.** Veľké množstvo nehôd je spôsobených nedostatočnou údržbou mechanických nástrojov.
- **Rezacie nástroje udržiavajte ostré a v čistote.** Správne udržiavané rezacie nástroje s ostrými ostriami sa menej pravdepodobne zaseknú a ľahšie sa ovládajú.
- **Mechanický nástroj, príslušenstvo a vrtáky a pod., používajte v súlade s týmto návodom, pričom berte do úvahy pracovné podmienky a úlohu, ktorú chcete vykonať.** Pri používaní mechanického nástroja na iné ako určené činnosti môže dôjsť k nebezpečným situáciám.

POUŽÍVANIE AKUMULÁTORA A STAROSTLIVOSŤ OŇ

- **Nabíjajte len s použitím nabíjачky špecifikovanej výrobcom.** Nabíjачka, ktorá je vhodná pre jeden typ jednotky akumulátora, môže pri použití s inou jednotkou akumulátora spôsobiť riziko požiaru.
- **Používajte len mechanické nástroje so špecificky určenými jednotkami akumulátorov.** Pri použití iných jednotiek akumulátora vzniká riziko poranenia a požiaru.
- **Keď sa jednotka akumulátora nepoužíva, nedávajte ju do blízkosti iných kovových objektov, ako sú papierové sponky, mince, kľúče, klince, skrutky či iné malé kovové predmety, ktoré by mohli skratovať svorky.** Pri skratovaní svoriek akumulátora môže dôjsť k popáleniam alebo požiaru.
- **Za nevhodných podmienok, keď by z batérie vytekala kvapalina, predchádzajte kontaktu s ňou.** Pri náhodnom kontakte opláchnite vodou. **Ak tekutina zasiahne oči, dodatočne vyhľadajte lekársku pomoc.** Tekutina vytečená z akumulátora môže spôsobiť podráždenie alebo popáleniny.

OPRAVY

- **Servis mechanického nástroja prenechajte kvalifikovanému servisnému pracovníkovi s použitím len identických náhradných dielov.** Taktto zachováte bezpečnosť mechanického nástroja.





AKUMULÁTOR – BEZPEČNOSTNÉ VÝSTRAHY

- Dbajte na to, aby nedochádzalo k neúmyselnému spusteniu. Pred zapojením produktu do elektrickej siete vždy skontrolujte, či je spínač vo vypnutej polohe (OFF). Neprenášajte zapojený produkt s prstom nachádzajúcim sa na spínači.
- Produkt nevystavujte dažďu ani mokrému prostrediu. Voda, ktorá vnikne do zariadenia, zvyšuje riziko úrazu elektrickým prúdom.
- Elektrické napájanie musí byť privádzané cez zariadenie pre zvyškový prúd s vypínacím prúdom maximálne 30 mA.
- Pred použitím skontrolujte napájaci kábel, či nie je poškodený. Pri akýchkoľvek známkach poškodenia ich musí vymeniť autorizovaný servisné centrum. Pri použití vždy odviňte napájaci kábel, lebo zvinuté káble sa môžu prehrievať.
- Ak potrebujete použiť predlžovací kábel, skontrolujte, či je vhodný na použitie v exteriéri a má a dostatočnú nominálnu prúdovú kapacitu na napájanie nástroja. Predlžovací kábel musí mať označenie „H05 RN-F“ alebo „H05 VV-F“. Pred každý použitím skontrolujte predlžovací kábel, či nedošlo k poškodeniu. Pri použití vždy odviňte predlžovací kábel, lebo zvinuté káble sa môžu prehrievať. Poškodené predlžovacie káble sa nesmú opravovať, ale vymeniť za ekvivalentný typ.
- Dbajte na to, aby bol napájaci kábel umiestnený tak, aby naň nikto nestúpil, nezakopol oň, ani ho inak nepoškodil alebo nenamáhal.
- Produkt nikdy nezdvíhajte ani neprenášajte za elektrický kábel.
- Nástroj nikdy neodpájajte z elektrickej siete ťahaním za napájaci kábel.
- Napájaci kábel nedávajte do blízkosti tepla, oleja alebo ostrých okrajov.
- Kábel vždy smerujte dozadu smerom od produktu.
- Skontrolujte, či je napätie správne pre váš produkt. Firemný štítok na produkte uvádza napätie jednotky. Zariadenie nikdy nepripájajte k striedavému napätiu inému, ako je uvedené napätie.
- Pred odpojením z elektrickej siete skontrolujte, či je spínač vo vypnutej polohe.

PREVÁDZKA

- Ak sa kábel pri používaní poškodí, okamžite ho odpojte z elektrickej siete. **Pred odpojením napájania sa nedotýkajte kábla.** Nástroj nepoužívajte, ak je kábel poškodený alebo opotrebovaný.
- So zariadením pracujte len v rozumných hodinách – nie skoro ráno alebo neskoro večer, kedy by to mohlo rušiť ostatných ľudí.
- Nikdy nepracujte so zariadením vo výbušnej atmosfére.
- Nepoužívajte produkt v zlom počasí, najmä ak existuje riziko vzniku bleskov.
- Nepracujte pri nedostatočnom osvetlení. Obsluhujúci musí mať jasný výhľad na pracovný priestor, aby mohol identifikovať potenciálne nebezpečenstvo.
- Použitie ochrany sluchu znižuje schopnosť počuť zvukové výstrahy (výkriky alebo alarmy). Operátor musí

dávať zvlášť pozor, čo sa deje v pracovnej oblasti.

- Nenechajte sa rozptýliť a vždy sa sústreďte na to, čo práve robíte. Dôkladne si premyslite a zväzťte účinky vašich činov.
- Pri používaní podobných nástrojov v blízkosti sa zvyšuje riziko poranenia sluchu a potenciál pre ostatné osoby, ktoré vstúpia do pracovného priestoru.
- Udržujte bezpečný postoj a rovnováhu. Nepreceňujte sa. Preceňovanie sa môže spôsobiť stratu rovnováhy.
- Na svahoch vždy dbajte na pevnú oporu nôh a vždy kráčajte, nebežte.
- Žiadnu časť tela nedávajte do blízkosti žiadnej pohybujúcej sa časti. Rotujúce lopatky kolesa môžu zapríčiniť vážne zranenie.
- Nikdy neprevádzkujte jednotku bez vhodne pripojeného príslušenstva. Pri používaní vo funkcii dýchadla vždy nainštalujte rúrky dýchadla.
- Zariadenie žiadnym spôsobom neupravujte ani nepoužívajte diely či príslušenstvo, ktoré neodporúča výrobca.

VAROVANIE

Ak produkt spadne, utrpí silný náraz alebo začne neštandardne vibrovať, okamžite ho zastavte s skontrolujte, či nedošlo k poškodeniu alebo zistíte príčinu vibrácií. Akékoľvek poškodenie sa musí náležite opraviť alebo vymeniť v autorizovanom servisnom centre.

- Na zníženie rizika poranenia následkom kontaktu s rotujúcimi dielmi pred nasledujúcimi činnosťami vždy zastavte produkt, odpojte ho od elektrickej siete alebo vyberte akumulátor a skontrolujte, či sa všetky pohybujúce úplne zastavili:
 - pred čistením alebo odstránením upchatia
 - pri ponechaní produktu bez dozoru
 - Pred montážou alebo demontážou nástavcov
 - pred kontrolou, údržbou alebo prácou na produkte
 - po zasiahnutí cudzím predmetom treba skontrolovať, či produkt nie je poškodený
 - ak zariadenie začne neštandardne vibrovať (ihneď skontrolujte)

VAROVANIE

Dýchadlo môže byť vybavené postrojom. Dôkladne nastavte postroj tak, aby vám pohodlne pomáhal pri nosení hmotnosti produktu.

Oboznámte sa s činnosťou mechanizmu rýchleho uvoľnenia a vyskúšajte si jeho používanie predtým, ako začnete používať zariadenie. Jeho správne použitie môže zabrániť vážnemu poraneniu v prípade ohrozenia. Nikdy nenoste na postroji ďalší odev ani nijako inak neobmedzujte prístup k mechanizmu rýchleho uvoľnenia.

BEZPEČNOSTNÉ VÝSTRAHY PRE DÝCHADLO

- Noste ochrannú tvárovú masku v prašných podmienkach, aby ste znížili riziko zranenia spojené





s vdýchnutím prachu.

- Nesmerujte trysku dúchadla smerom na ľudí alebo zvieratá.
- Do rúrok dúchadla nikdy nekladajte žiadne predmety.
- Nepoužívajte zariadenie v blízkosti otvorených okien.
- V prašnom prostredí mierne navlhčite povrchy.
- Použite nástavec so širokou dýzou dúchadla, aby prúd vzduchu mohol zaberat' v blízkosti zeme.
- Nepokladajte dúchadlo na voľnú sutinu ani do jej blízkosti. Do nasávacieho otvoru sa môže vsať sutina, čo by pravdepodobne spôsobilo poškodenie zariadenia.

AKUMULÁTOR – BEZPEČNOSTNÉ VÝSTRAHY - BATERIA

- Prečítajte si s porozumením a striktné dodržiavajte bezpečnostné pokyny, ktoré sú pribalené k akumulátoru a nabíjačke. V opačnom prípade môže dôjsť k zásahu elektrickým prúdom, požiaru alebo nebezpečným situáciám. Všetky pokyny odložte spoločne na bezpečné miesto pre prípad potreby v budúcnosti.
- Akumulátorové nástroje nemusia byť zapojené do elektrickej siete, preto sú neustále v prevádzkovom stave. Ak sa zariadenie nebude bezprostredne používať, nekladajte rozpojovaci kľúč.
- Keď vykonávate úpravy, čistíte alebo odstraňujete materiál, vyberte jednotku akumulátora z jednotky.
- Nedávajte akumulátorové zariadenia ani ich akumulátory do blízkosti ohňa alebo tepla. Znížite tak riziko explózie a možného poranenia.
- Jednotku akumulátora neotvárajte ani nedeformujte. Vytečený elektrolyt je leptavý a môže spôsobiť poškodenie očí alebo pokožky. Pri požití môže byť toxický.
- Jednotku akumulátora chráňte pred vlhkosťou a vodou. Zariadenie nenabíjajte vo vlhkom alebo mokrom prostredí. Dodržiavaním tohto pravidla znižujete riziko úrazu elektrickým prúdom, požiaru alebo závažného osobného poranenia.
- Pri poškodení a nesprávnom používaní akumulátora môže dôjsť k unikaniu výparov. V prípade komplikácií zabezpečte čerstvý vzduch a vyhľadajte lekársku pomoc. Výpary môžu spôsobiť podráždenie dýchacích ciest.
- Nenechávajte jednotku akumulátora v lete v automobile.
- Akumulátor nespálujte. Keď akumulátor dosiahne koniec svojej životnosti, zlikvidujte ho správnym spôsobom podľa miestnych predpisov vo vašom regióne.
- Za nevhodných podmienok, keď by z batérie vytekala kvapalina, predchádzajte kontaktu s ňou. Pri náhodnom kontakte opláchnite vodou. Ak tekutina zasiahne oči, dodatočne vyhľadajte lekársku pomoc. Tekutina vytečená z akumulátora môže spôsobiť podráždenie alebo popáleniny.

PREPRAVA A SKLADOVANIE

- Pred uskladnením alebo prepravou zastavte zariadenie, odpojte ho od elektrickej siete alebo vyberte akumulátor a nechajte ho vychladnúť.

- Odstráňte zo zariadenia všetky cudzie materiály. Odložte ho na suché a dobre vetrané miesto, na ktoré nemajú prístup deti. Náradie neuskladňujte v blízkosti žieravých látok, ako napríklad v blízkosti záhradníckych chemických prípravkov alebo solí na zimný posyp komunikácií. Neskladujte v exteriéri.
- Pri preprave zaistite zariadenie pred pohybom alebo pádom, aby nedošlo k poraneniu osôb alebo poškodeniu zariadenia.

ÚDRŽBA

⚠ VAROVANIE

Používajte len originálne náhradné diely, príslušenstvo a nástavce výrobcu. V opačnom prípade môže dôjsť k možnému poraneniu, nedostatočnému výkonu a strate platnosti záruky.

⚠ VAROVANIE

Údržba vyžaduje extrémnu starostlivosť a znalosti, a musí byť prevádzaná výhradne v autorizovanom servise. Z dôvodu servisu vám odporúčame vrátiť výrobok do najbližšieho autorizovaného servisného centra na opravu. Ak výrobok opravujete, používajte iba rovnaké originálne náhradné diely.

- Môžete vykonávať úpravy a opravy popísané v tejto príručke. Pri ostatných opravách sa obráťte na autorizovaného servisného zástupcu.
- Po každom použití vyčistite produkt mäkkou suchou tkaninou.
- Skontrolujte všetky skrutky, matice v častých intervaloch či sú riadne utiahnuté, aby sa zaistila bezpečná prevádzka produktu. Akýkoľvek poškodený diel sa musí náležite opraviť alebo vymeniť v autorizovanom servisnom centre.

ÚČEL POUŽITIA

Tento produkt je určený len pre použitie v exteriéri.

Produkt nie je určený na použitie deťmi alebo osobami so zníženými fyzickými, duševnými alebo zmyslovými schopnosťami.

Tento produkt je určený na odľukovanie ľahkej sutiny, ako sú listy, tráva a iní záhradné zvyšky.

ZVYŠKOVÉ RIZIKÁ:

Aj keď sa nástroj používa podľa predpisu, nie je možné eliminovať určité zvyškové rizikové faktory. Pri použití vznikajú nasledujúce riziká a obsluhujúca osoba musí venovať zvláštnu pozornosť, aby nedošlo k nasledovnému:

- Zranenie spôsobené vibráciami. Vždy používajte vhodný nástroj pre danú úlohu, používajte určené rukoväte a obmedzte pracovný čas a mieru rizika.
- Vystavovanie hluku môže spôsobiť poranenie sluchu. Používajte ochranu sluchu a obmedzte expozíciu.
- Nebezpečenstvo odletujúcich predmetov z prúdu vzduchu výstupnej rúrky alebo výfuku vysávača, ak



vrecko nie je nasadené alebo je poškodené. Neustále používajte primeranú ochranu zraku.

OBMEDZENIE RIZIKA

Boli hlásené prípady, kedy vibrácie z ručných nástrojov u niektorých osôb prispeli k stavu nazývanému Raynaudov syndróm. K symptómom patria: trpnutie, znecitlivenie a blednutie prstov, zvyčajne zjavné po vystavení zime. Je známe, že k vývoju týchto symptómov prispievajú: dedičné faktory, vystavovanie zime a vlhkosti, diéta, fajčenie a pracovné návyky. Opatrenia, ktoré môže vykonať obsluhujúca osoba na možné zníženie účinkov vibrácií:

- V studenom počasí udržiavajte svoje telo v teple. Pri práci so zariadením noste rukavice, aby ste mali ruky a zápästia v teple. Boli hlásené prípady, kedy hlavným faktorom prispievajúcim k Raynaudovmu syndrómu bolo studené počasie.
- Po každom určitom časovom úseku prevádzky cvičte, aby ste zlepšili krvný obeh.
- Počas práce si doprajte časté prestávky. Obmedzte počet vystavení za deň.

Ak zistíte ktorýkoľvek zo symptómov tohto stavu, okamžite prerušte používanie zariadenia, navštívte svojho lekára a povedzte mu o symptómoch.

VAROVANIE

Pri dlhodobom alebo zvýšenom používaní môže dôjsť k zraneniam. Pri používaní nástroja príliš dlhé obdobia si vždy doprajte pravidelné prestávky.

OBOZNÁMTE SA S VAŠIM PRODUKTOM

Pozrite stranu 131.

1. Rúčka
2. Držiak kábla
3. Hlavný spínač
4. Fúkacia trubica
5. Výsokorychlostná dýza
6. Batéria
7. Nabíjačka akumulátorov
8. Napájací kábel

SYMBOLY NA PRODUKTE



Pred použitím produktu si s porozumením prečítajte všetky pokyny a dodržiavajte výstražné a bezpečnostné upozornenia.



Pozor na vymrštené alebo odletujúce objekty. Všetky okolostojace osoby (najmä deti a domáce zvieratá) musia stáť minimálne 15 m od pracoviska.



Používajte chrániče sluchu



Používajte chrániče zraku



Nevystavujte dažďu ani nepoužívajte vo vlhkom prostredí.



Vypnutie: pred čistením alebo údržbou odpojte zástrčku z elektrickej siete



Ak sa kábel poškodí alebo pretrhne, bezprostredne pred vykonaním údržby odpojte zástrčku z elektrickej siete.



Vyhovuje všetkým regulačným normám v krajine EÚ, v ktorej bol výrobok zakúpený.



Euroázijská značka zhody



Ukrajinské označenie zhody



Nástroj triedy II, dvojité izolácia



Opotrebované elektrické zariadenia by ste nemali odhadzovať do domového odpadu. Prosíme o recykláciu ak je možné. Kontaktujte miestne úrady, alebo predajcu pre viac informácií ohľadom ekologického spracovania.



Garantovaná hladina akustického výkonu je 94 dB.



Napájanie : Batéria (18 V DC)



Napájanie : Elektrická (230 V AC)

IKONY V TOMTO NÁVODE



Pripojte do elektrickej zásuvky



Odpojte z elektrickej zásuvky



POZNÁMKA:



Varovanie!

Nasledujúce značky a významy vysvetľujú úroveň rizika spojeným s výrobkom.

⚠ NEBEZPEČENSTVO

Označuje bezprostredne nebezpečnú situáciu, ktorá

môže vyústiť v smrť, alebo vážne zranenie.

 **VAROVANIE**

Označuje potenciálne nebezpečnú situáciu, ktorá môže vyústiť v smrť, alebo vážne zranenie.

 **VÝSTRAHA**

Označuje potenciálne nebezpečnú situáciu, ktorá môže vyústiť v ľahké, alebo stredne ťažké zranenie.

VÝSTRAHA

Bez symbolu bezpečnostného alarmu

Označuje situáciu, ktorá môže zapríčiniť poškodenie majetku.

⚠ ПРЕДУПРЕЖДЕНИЕ

При използване на продукта трябва да се спазват правилата за безопасност. За осигуряване на вашата безопасност и тази на страничните наблюдатели трябва да прочетете тези инструкции, преди да работите с продукта. Съхранявайте ръководството за експлоатация на сигурно място, за да можете да го ползвате и по-късно.

⚠ ПРЕДУПРЕЖДЕНИЕ

Продуктът не е предназначен за използване от деца или от лица с намалени физически, сетивни или умствени способности. Децата трябва да бъдат внимателно надзиравани, за да се гарантира, че не си играят с продукта.

ОБУЧЕНИЕ

- Прочете инструкциите внимателно. Запознайте се с контролите за управление и правилното използване на продукта.
- Никога не позволявайте продуктът да бъде използван от: деца; лица с намалени физически, сетивни или умствени способности; лица без необходимите опит и знания; лица, които не са запознати с настоящите инструкции. Местните наредби могат да налагат ограничения за възрастта на оператора.
- Трябва да знаете, че операторът или потребителят е отговорен за причиняването на злополуки или щети на други лица или имущество.
- Дръжте всички странични наблюдатели, деца и домашни животни на разстояние поне 15 метра от работната зона. Ако някой навлезе в работната зона, спрете машината.

ПОДГОТОВКА

- В някои региони има разпоредби, ограничаващи използването на продукта до определени операции. За съвети се обръщайте към местните власти.
- Когато използвате продукта, винаги носете здрави затворени обувки и дълъг панталон. Не използвайте инструмента, ако сте боси или носите отворени сандали. Избягвайте да носите широки дрехи или такива с висящи краища или връзки; те могат да се заплетат в движещите се части.
- Не носете широки дрехи или украшения, които могат да бъдат захванати във входящия вентилационен отвор.
- Дългата коса трябва да бъде прибрана на ниво над раменете, за да се избегне заплитането ѝ в движещите се части.
- При работа с продукта винаги носете защитни средства за слуха. Тази машина е изключително шумна и може да възникне трайна загуба на слуха, ако не се спазват стриктно предпазните мерки за ограничаване на излагането и намаляване на нивата на шума, както и за носене на защитни средства за слуха.

- При работа с продукта винаги носете всички необходими защитни средства за очите. Производителят силно препоръчва използването на маска за цяло лице или на защитни очила, които са плътно прилепнали до очите. Обикновените или слънчевите очила не представляват надеждна защита. Мощната въздушна струя може да предизвика отхвърчането на предмети с висока скорост, като те могат да рикошират от твърди повърхности към оператора.
- Преди всяка употреба проверявайте дали всички контроли и устройства за безопасност функционират правилно. Не използвайте инструмента, ако превключвателят "OFF" ("Изключване") не спира продукта.
- Преди всяка употреба проверявайте визуално дали корпусът е здрав и дали предпазителят и ръкохватките са правилно обезопасени на местата им.
- Занесете в оторизиран сервизен център, ако е необходима замяна на повредени или нечетливи етикети.
- Никога не използвайте продукта с повредени предпазители или странични екрани, както и без необходимите защитни устройства, например без монтиран чувал за отпадъци.
- Дръжте всички охлаждащи вентилационни отвори чисти от отпадъци.
- Използвайте гребла и метли, за да разчистите отпадъците преди обдухване/засмукване.
- Винаги почиствайте работното пространство, преди да използвате уреда. Премахвайте всички предмети като камъни, счупени стъкла, пирони, жици или телове, които могат да отхвъркнат на значително разстояние от силната въздушна струя.

ОБЩИ ПРЕДУПРЕЖДЕНИЯ ЗА БЕЗОПАСНОСТ

⚠ ПРЕДУПРЕЖДЕНИЕ

Прочетете всички предупреждения относно безопасността и всички инструкции. Неспазването на предупрежденията и инструкциите може да доведе до токов удар, пожар и/или сериозни наранявания.

Съхранявайте всички предупреждения и инструкции за бъдещи справки.

Терминът „електрически инструмент“ в предупрежденията се отнася за вашия инструмент - със захранване от електрическата мрежа (с кабел) или на батерия (безжичен).

БЕЗОПАСНОСТ НА РАБОТНАТА ЗОНА

- **Поддържайте работното пространство чисто и добре осветено.** Безпорядъкът или тъмнината в работното пространство са предпоставка за злополуки.
- **Не използвайте електрически инструменти в експлозивни среди, например в присъствието на запалителни течности, газове или прах.** По



време на работа електрическите инструменти произвеждат искри, които могат да възпламенят прах или пари.

- **Дръжте децата и страничните наблюдатели далече, докато боравите с електрически инструмент.** Ако вниманието ви бъде отклонено, може да загубите контрола над електрическия инструмент.

ЕЛЕКТРИЧЕСКА БЕЗОПАСНОСТ

- **Щепселът на електрическия инструмент трябва да е съвместим с контакта. В никакъв случай не внасяйте изменения в конструкцията на щепсела.** Когато работите със занулени електрически инструменти, не използвайте адаптери за щепсела. Използването на оригиналните щепсели и контакти намалява риска от токов удар.
- **Избягвайте допир със заземени повърхности, като тръби, радиатори, печки и хладилници.** Когато тялото ви е заземено, рискът от възникване на токов удар е по-голям.
- **Не излагайте продукта на дъжд или влажни условия.** Проникването на вода в електрическия инструмент повишава опасността от токов удар.
- **Не насилвайте захранващия кабел.** Никога не носете, не изключвайте и не дърпайте електрическия инструмент за кабела. Предпазвайте кабела от нагряване, омасляване, допир до остри ръбове или до подвижни звена на машини. Повредените или усукани кабели увеличават риска от токов удар.
- **Когато работите с електрически инструмент на открито, използвайте само удължителни кабели, предназначени за работа на открито.** Използването на удължител, предназначен за работа на открито, намалява риска токов удар.
- **Ако не можете да избегнете използването на електрически инструмент на влажно място, използвайте RCD (прекъсвач със защитно изключване).** Използването на RCD намалява опасността от електрически удар.

ЛИЧНА БЕЗОПАСНОСТ

- **Бъдете бдителни, внимавайте какво правите и проявявайте благоразумие, когато боравите с електрически инструмент.** Не използвайте електрически инструмент, когато сте уморени или под влиянието на наркотични вещества, алкохол или лекарства. Миг невнимание, докато боравите с електрически инструмент, е достатъчен за получаването на сериозни наранявания.
- **Използвайте лична защитна екипировка.** Винаги носете защитни очила. Защитната екипировка, като маска против прах, пригледени против плъзгане защитни обувки, твърда шапка или антифони, използвани за подходящите условия, ще намали опасността от физически наранявания.
- **Не допускайте нежелано стартиране.** Преди да вдигате или носите инструмента и преди да го включвате в електрическата мрежа и/или батерия, винаги проверявайте дали

превключвателят е на позиция **OFF** (изкл). Носенето на инструмента с пръст върху превключвателя или включването му към електричеството, докато превключвателят му е на включен, е предпоставка за злополуки.

- **Махнете всички гаечни или френски ключове за настройка преди да включите инструмента.** Помощен инструмент, забравен на въртящ се елемент, може да доведе до физически наранявания.
- **Не се протягайте, за да работите на трудно достижими места.** Винаги стъпвайте стабилно по време на работа и пазете равновесие. Това дава възможност за по-добър контрол над електрическия инструмент в неочаквани ситуации.
- **Обличайте се целесъобразно.** Не носете широки дрехи или украшения. Дръжте косата, дрехите и ръкавиците си на безопасно разстояние от подвижните елементи. Широките дрехи, украшенията, дългите коси могат да бъдат захванати и увлечени от движещи се елементи.
- **Ако устройствата са оборудвани със съоръжение за издърпване и събиране на прах, уверете се, че е то свързано и функционира правилно.** Използването на устройства за събиране на прах ще намали рисковете, свързани с работа в прашни условия.

ИЗПОЛЗВАНЕ И ОБСЛУЖВАНЕ НА ЕЛЕКТРИЧЕСКИЯ ИНСТРУМЕНТ

- **Не насилвайте продукта.** Използвайте електрическия инструмент, съобразно неговото предназначение. Правилно подбраният електрически инструмент ще свърши работата по-добре и по-безопасно в зададения от производителя диапазон на натоварване.
- **Не използвайте електрически инструменти, чиито пусков прекъсвач е повреден.** Електрически инструмент, който не може да бъде контролиран посредством превключвател, е опасен и трябва да бъде ремонтиран.
- **Изключете щепсела от източника на захранване и/или батерията от електрическия инструмент, преди да извършвате каквито и да е корекции, да сменят принадлежностите и преди съхраняване на електрическите инструменти** Тази мярка премахва опасността от задействане на електрическия инструмент по невнимание.
- **Съхранявайте незаетите електрически инструменти на недостъпни за деца места и не позволявайте на лица, незапознати с инструмента или с тези указания, да боравят с него.** Когато са в ръцете на неопитни потребители, електрическите инструменти могат да бъдат изключително опасни.
- **Поддържайте електрическите инструменти в изправност.** Проверявайте за неизправности или заклиняване в подвижните елементи, за счупени части или други обстоятелства, които могат да влошат работата на електрическия инструмент. Преди да използвате електрическия





инструмент, се погрижете повредите да бъдат отстранени. Много от трудовите злополуки се дължат на недобре поддържани електрически инструменти.

- **Поддържайте режещите инструменти винаги добре заточени и чисти.** Инструменти, за които е полагана правилна грижа и са с добре наточени режещи елементи, се управляват по-лесно и вероятността да заядат е по-малка.
- **Използвайте електрическите инструменти, принадлежностите и режещите и др. части съобразно тези указания, като се съобразявате с работните условия и с работата, която ще извършвате.** Използването на електрически инструменти за различни от предвидените от производителя приложения повишава опасността от възникване на трудови злополуки.

ИЗПОЛЗВАНЕ И ОБСЛУЖВАНЕ НА ИНСТРУМЕНТА С БАТЕРИЯ

- **Презареждайте единствено със зарядното устройство, посочено от производителя.** Зарядно устройство, подходящо за зареждане на един вид батерии, може да предизвика риск от пожар, ако бъде използвано за други батерии.
- **Използвайте електрически инструменти с батерии единствено със специално предназначение за тях батерии.** Използването на всякакви други батерии може да създаде риск от нараняване и пожар.
- **Когато батерията не се използва, съхранявайте я далеч от други метални обекти, като например кламери, монети, ключове, гвоздеи, гайки или други малки метални обекти, които могат да направят връзка между клемите.** Късото съединение от клемите може да доведе до изгаряния или пожар.
- **При неправилно използване батерията може да отдели течност; избягвайте контакт.** Ако случайно настъпи контакт, промийте с вода. Ако течността влезе в контакт с очите, потърсете допълнително медицинска помощ. Отделената от батерията течност може да причини възпаление или изгаряния.

СЕРВИЗНО ОБСЛУЖВАНЕ

- **Ремонтът на електрическите инструменти трябва да се извършва само от квалифицирани специалисти и само с използването на оригинални резервни части.** По този начин се гарантира поддържането на безопасност при работа с електрическия инструмент.

ДОПЪЛНИТЕЛНИ ПРЕДУПРЕЖДЕНИЯ ЗА БЕЗОПАСНОСТ

- **Избягвайте неволно стартиране.** Винаги проверявайте дали превключвателят е на позиция OFF („Изключено“), преди да включите продукта в захранването. Не носете включен продукт, докато пръстът ви е на бутона.
- **Не излагайте продукта на дъжд или влажни**

условия. Проникването на вода в уреда повишава риска от токов удар.

- **Уредът трябва да бъде захранван чрез прекъсвач за защитно изключване, пропускащ ток не повече от 30 mA.**
- **Преди употреба огледайте захранващия кабел за повреди.** Ако има следи от повреда, той трябва да се смени от упълномощен сервизен център. Винаги развивайте захранващия кабел преди употреба; навитите кабели могат да прегреят.
- **Ако е необходимо да използвате удължаващ кабел, проверете дали той е подходящ за работа на открито или дали захранващият му капацитет е достатъчен за захранване на вашия инструмент.** Удължаващият кабел трябва да има маркировка „H05 RN-F“ или „H05 VV-F“. Проверявайте удължаващия кабел за повреди преди всяка употреба. Винаги развивайте удължаващия кабел при работа, защото неразвитите кабели могат да прегреят. Повредените удължителни кабели не трябва да се поправят, а да се сменят с такива от еквивалентен тип.
- **Внимавайте захранващият кабел да не е на места, където може да бъде настъпен, прегазен или изложен по друг начин на повреда или напрежение.**
- **Никога не вдигайте и не носете продукта за електрическия кабел.**
- **Никога не дърпайте захранващия кабел, за да изключите инструмента от електричеството.**
- **Дръжте захранващия кабел далече от топлина, масло и остри предмети.**
- **Винаги насочвайте кабела към задната част на продукта и възможно по-далече от него.**
- **Уверете се, че напрежението за продукта е правилно.** На табелката с характеристиките на продукта, можете да видите напрежението му. Никога не свързвайте уреда към променлив ток с различно от посоченото напрежение.
- **Уверете се, че превключвателят е в позиция OFF (ИЗКЛЮЧЕНО), преди да изключите уреда от електрозахранването и да извадите акумулаторната батерия.**

РАБОТА

- **Ако кабелът се повреди по време на работа, внимателно издърпайте кабела от електрическата мрежа. Не докосвайте кабела, преди да сте изключили захранването.** Не използвайте инструмента, ако кабелът е повреден или износен.
- **Работете с машината само в подходящо за това време - извън ранните сутрешни и късните вечерни часове, когато е възможно да прочете на други хора.**
- **Никога не работете с уреда в експлозивна среда.**
- **Избягвайте да използвате продукта при лоши метеорологични условия, особено ако има риск от мълнии.**
- **Не използвайте тази машина при слабо осветление.** Операторът трябва да има чиста видимост върху работното пространство, за да идентифицира



потенциални опасности.

- При използване на антифони ще се намали способността да чувате предупреждения (подвиквания или аларми). Операторът трябва да е особено внимателен за това, което се случва в работната зона.
- Не се разсейвайте и бъдете винаги концентрирани върху това, което правите. Внимателно обмисляйте възможните резултати от вашите действия.
- Ако наблизо се работи с подобни уреди, това увеличава както риска от увреждане на слуха, така и вероятността други хора да навлязат във вашето работно пространство.
- Заемайте стабилна позиция и пазете баланс. Не се протягайте, за да работите на трудно достижими места. Протегането може да доведе до загуба на равновесие.
- Стъпвайте на стабилна опора при работа на наклон и винаги ходете, а не тичайте.
- Дръжте движещите се части на разстояние от тялото си. Въртящата се перка на ротора може да нанесе тежки контузии.
- В никакъв случай не стартирайте машината, ако не е напълно оборудвана. Когато използвате уреда в режим на обдухване, тръбите за обдухване трябва да са монтирани.
- Не модифицирайте машината по никакъв начин и не използвайте части и принадлежности, които не са препоръчани от производителя.

⚠ ПРЕДУПРЕЖДЕНИЕ

Ако продуктът бъде изпуснат, претърпи силен удар или започне да вибрира неестествено, незабавно изключете продукта и проверете за повреди или се опитайте да идентифицирате причината за вибрирането. Поправките и замените на части при повреда трябва да се извършват от оторизиран сервизен център.

- За да намалите опасността от нараняване при контакт с движещите се елементи, винаги спирайте продукта, изключвайте го от захранването или изваждайте акумулаторната батерия, след което изчаквайте всички движещи се елементи напълно да спрат движението си:
 - преди почистване или отстраняване на запушвания
 - когато оставяте продукта без надзор
 - преди монтиране или демонтиране на допълнителни приставки
 - преди проверка, поддръжка или работа по продукта
 - след сблъсък с друг предмет да инспектирате продукта за повреди
 - ако уредът започне да вибрира неестествено (проверете незабавно)

⚠ ПРЕДУПРЕЖДЕНИЕ

Вашият обдухател може да е снабден с презрамка. Внимателно регулирайте презрамката, така че да ви е удобно, докато поддържате тежестта на продукта. Запознайте се с механизма за бързо освобождаване и упражнявайте използването му, преди да започнете да работите с машината. Правилното използване на този механизъм може да предотврати сериозно нараняване при възникване на извънредна ситуация. Никога не носете допълнително облекло над ремъка за закачане, защото така се блокира достъпът до механизма за бързо освобождаване.

ПРЕДУПРЕЖДЕНИЯ ЗА БЕЗОПАСНОСТ В РЕЖИМ НА ОБДУХВАНЕ

- При работа в прашни условия носете филтърна маска, за да се намали опасността от заболявания на дихателните пътища в следствие на вдишването на прах.
- Не насочвайте дюзата за обдухване срещу хора или животни.
- Никога не поставяйте предмети вътре в обдухващите тръби.
- Не работете с машината в близост до отворени прозорци.
- Навлажнявайте леко повърхностите при работа в прашни условия.
- Използвайте удължения крайник за пълно обдухване, така че въздушният поток да преминава близо до земята.
- Не поставяйте машината върху или в близост до свободно хвърчащи отпадъци. Възможно е входящият вентилационен отвор да засмуче отпадъците и те да повредят машината.

ДОПЪЛНИТЕЛНИ ПРЕДУПРЕЖДЕНИЯ ЗА БЕЗОПАСНОСТ - БАТЕРИЯ

- Прочетете, разберете и винаги следвайте инструкциите за безопасност, предоставени към вашата акумулатор и зарядно устройство. Неспазването на инструкциите може да доведе до токов удар, пожар или други опасни ситуации. Запазете всички инструкции заедно и на сигурно място за бъдещи справки.
- Не е нужно инструментите с батерии да бъдат включвани в електрически контакт; следователно те винаги са в работно състояние. Ако машината няма да се използва незабавно, не поставяйте ключа на изолатора.
- Извадете батерията, преди да извършвате каквито и да е настройки, почистване или изваждане на материали от уреда.
- Не оставяйте продукти с батерии или техните батерии близо до огън или топлина. Това ще намали опасността от експлозия и вероятността за наранявания.
- Не отваряйте и не повреждайте батерията. Освободеният електролит е разяждащ и може да



доведе до увреждане на очите или кожата. Може да е отровен, ако се погълне.

- Предпазвайте батерията от влага и вода. Никога не презареждайте инструмент на мокри или влажни места. Спазването на това правило ще намали опасността от токов удар, пожар или сериозни физически наранявания.
- В случай на повреда и неправилно използване на батерията може да се отделят изпарения. Осигурете свеж въздух и потърсете лекарска помощ в случай на оплаквания. Изпаренията може да възпалят дихателната система.
- Не оставяйте батерията в кола през лятото.
- Не изгаряйте батерията. Когато жизненият цикъл на батерията изтече, изхвърлете я надлежно и в съответствие с приложимите местни разпоредби.
- При неправилно използване батерията може да отдели течност; избягвайте контакт. Ако случайно настъпи контакт, промийте с вода. Ако течността влезе в контакт с очите, потърсете допълнително медицинска помощ. Отделената от батерията течност може да причини възпаление или изгаряния.

ТРАНСПОРТИРАНЕ И СЪХРАНЕНИЕ

- Спрете продукта, изключете го от захранването или извадете акумулаторната батерия, след което го изчакайте да се охлади, преди да го транспортирате или приборете за съхранение.
- Почистете продукта от всички чужди частици. Съхранявайте я на хладно, сухо и добре проветрявано място, което е недостъпно за деца. Не го оставяйте в близост до корозивни материали като градински химикали или соли за размразяване. Не съхранявайте на открито.
- При транспортиране закрепете здраво машината, за да елиминирате вероятността от придвижване или падане и да предотвратите физическите наранявания на лица или повреди по машината.

ПОДДРЪЖКА

⚠ ПРЕДУПРЕЖДЕНИЕ

Използвайте само оригинални резервни части, аксесоари и приставки от производителя. В противен случай може да се влоши работата на инструмента или да получите тежки контузии, а гаранцията ви ще стане невалидна.

⚠ ПРЕДУПРЕЖДЕНИЕ

Сервизното обслужване изисква изключително внимание и специфични познания и следва да бъде извършвано само от квалифициран техник. За сервизно обслужване и поправка препоръчваме да занесете продукта до най-близкия упълномощен цен се рвизен цен тър. При ремонт използвайте само идентични резервни части.

- Можете да правите настройки и поправки, описани в това ръководство на потребителя. За други поправки се свържете с агент на упълномощения сервиз.
- Всеки път след употреба почиствайте продукта с мека и суха кърпа.
- Периодично проверявайте дали всички гайки, болтове и винтове са правилно затегнати, за да сте сигурни, че продуктът е в изправност. Всяка повредена част трябва да бъде поправена или заменена от упълномощен сервизен център.

ПРЕДНАЗНАЧЕНИЕ

Продуктът е предназначен за използване само на открито.

Продуктът не е предназначен за използване от деца или от лица с намалени физически, сетивни или умствени способности.

Продуктът е предназначен за издухване на леки отпадъци, включително листа, трева и други градински отпадъци.

НЕПРЕДВИДЕНИ РИСКОВЕ.

Дори когато машината се използва по предназначение, е невъзможно напълно да се отстранят определени остатъчни рискови фактори. Рисковете, описани по-долу, може да възникнат по време на употреба и операторът трябва да внимава за избягването на следното:

- Нараняване, причинено от вибрация. Винаги използвайте подходящия инструмент за съответната дейност и предназначенията за целта ръкохватки, като ограничавате времето на работа и излагането на рискове.
- Излагането на шум може да доведе до увреждане на слуха. Носете антифони и ограничете излагането.
- Ако чувалът за отпадъци не е прикрепен добре или е повреден, могат да възникнат наранявания в резултат на летящи предмети от въздушната струя при обдухване или от отходната струя при засмукване. По всяко време носете подходящи защитни средства за очите.

ΜΕΙΩΣΗ ΚΙΝΔΥΝΟΥ

Известно е, че вибрациите, произвеждани от ръчни инструменти може да предизвикат у някои индивиди заболяване, наречено Синдром на Рейнолд (Raynaud's Syndrome). Симптомите може да включват изтръпване, схващане и избледняване на пръстите, обикновено се забелязват при излагане на студ. Смята се, че наследствените фактори, излагането на студ и влага, диетите, пушенето и някои работни навици допринасят за развитието на тези симптоми. Могат да се вземат някои мерки, които могат да се предприемат от оператора, за да се намалат ефектите от вибрациите:

- Поддържайте телесната температура в студено време. Когато боравите с инструмента, носете ръкавици, за да поддържате ръцете и китките си топли. Според изследванията главният фактор,



допринасящ за развитието на Raynaud's Syndrome, е студеното време.

- Правете упражнения за активизиране на кръвообращението след всеки работен цикъл.
- Редовно излизайте в почивка. Ограничете излагането на вибрации на ден.

При поява на някои от симптомите на това заболяване, незабавно прекратете употребата на инструмента и посетете лекар.

ПРЕДУПРЕЖДЕНИЕ

Продължителното използване на инструмента може да доведе до наранявания или влошаване. При използване на инструмента за продължителни периоди от време правете чести почивки.

ОПОЗНАЙТЕ ВАШИЯ ПРОДУКТ

Вж. страница 131.

1. Ръкохватка
2. Фиксатор за кабела
3. Превключвател (за стартиране и спиране)
4. Обдухваща тръба
5. Високоскоростна дюза
6. Батерия
7. Зарядно устройство за батериите
8. Захранващ кабел

СИМВОЛИ НА ПРОДУКТА



Прочетете и осмислете всички указания, преди да започнете работа с продукта; спазвайте всички предупреждения и инструкции за безопасност.



Внимавайте за изхвърлени или летящи обекти. Дръжте всички странични наблюдатели (особено деца и домашни любимци) на поне 15m разстояние от работната зона.



Носете антифони



Носете защитни средства за очи



Не излагайте на дъжд и на влажни условия.



Изключване: изключвайте щепсела от захранването, преди да извършвате дейности по поддръжка и почистване



Ако кабелът е повреден или срязан, както и непосредствено преди профилактика, изключете щепсела от електрическата мрежа.



Тази машина е в съответствие с нормативната уредба на държавата от ЕС, където е била закупена.

EurAsian знак за съответствие.



Украински знак за съответствие



Инструмент от клас II, двойна изолация



Електрическите уреди не трябва да се изхвърлят заедно с битовите отпадъци. Рециклирайте, където има възможност. Обърнете се за съвет по рециклирането към местните власти или разпространителите.



Гарантираното ниво на шум е 94 dB.



Електрическо захранване : Батерия (DC 18 V)



Електрическо захранване : Електрическа (AC 230 V)

ИКОНИ В ТОВА РЪКОВОДСТВО



Свържете към електрически контакт.



Изключете от електрическия контакт



ЗАБЕЛЕЖКА:



Предупреждение!

Следните сигнални думи и значенията им са предназначени да обяснят нивата на опасност, свързани с този продукт.

ОПАСНОСТ

Указва неминуемо опасна ситуация, която ако не бъде избегната, ще доведе до сериозни наранявания или смърт.

ПРЕДУПРЕЖДЕНИЕ

Указва потенциално опасна ситуация, която ако не бъде избегната, може да доведе до сериозни наранявания или смърт.

ВНИМАНИЕ

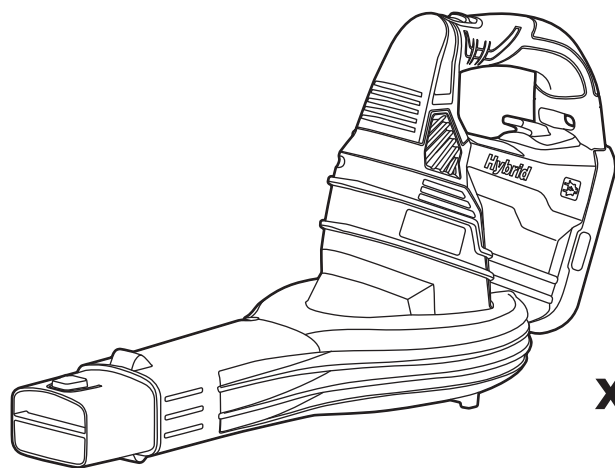
Указва потенциално опасна ситуация, която ако не бъде избегната, може да доведе до дребни или средни наранявания.

ВНИМАНИЕ

Без предупредителен символ за безопасност

Указва ситуация, която може да доведе до имуществени щети.

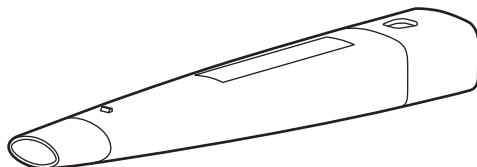
- EN
- FR
- DE
- ES
- IT
- NL
- PT
- DA
- SV
- FI
- NO
- RU
- PL
- CS
- HU
- RO
- LV
- LT
- ET
- HR
- SL
- SK
- BG**



x 1



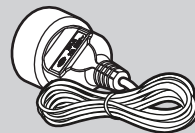
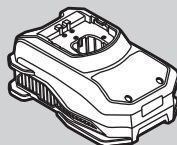
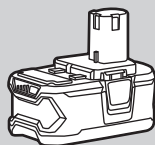
x 1

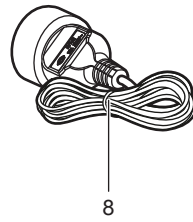
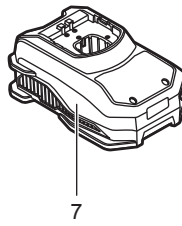
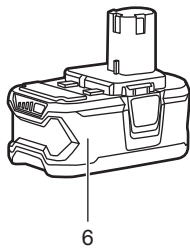
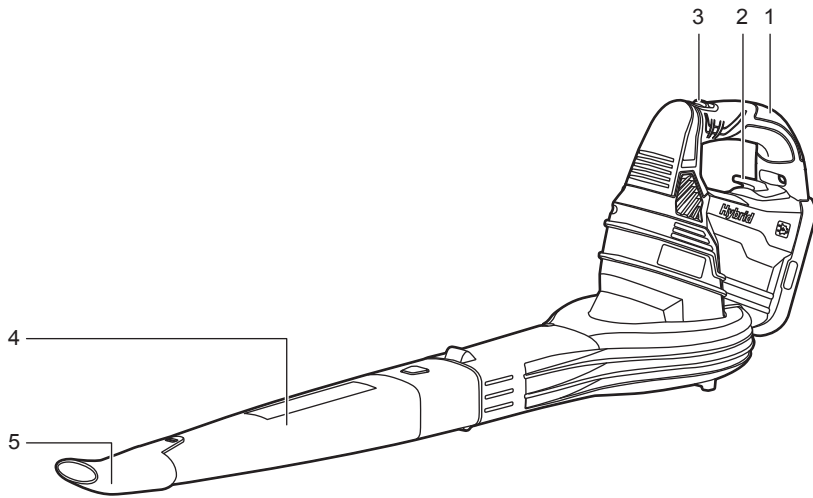


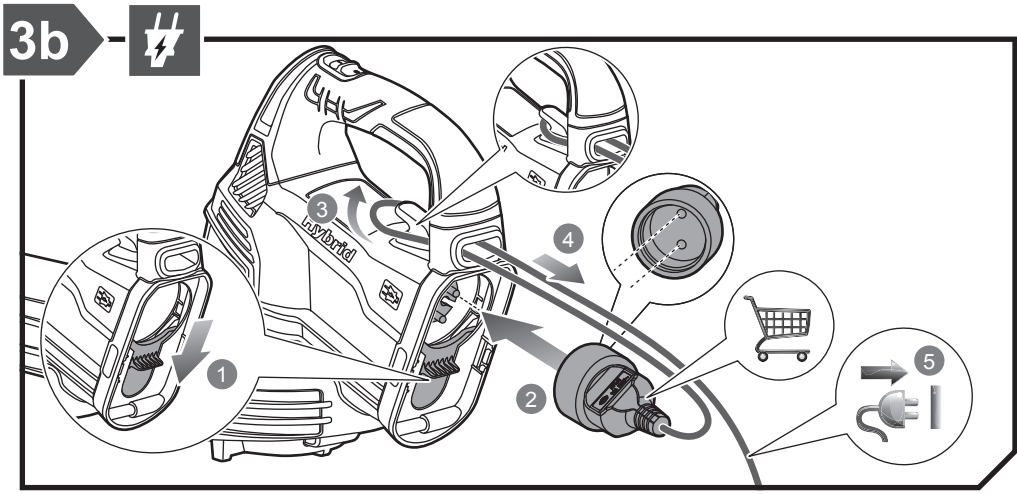
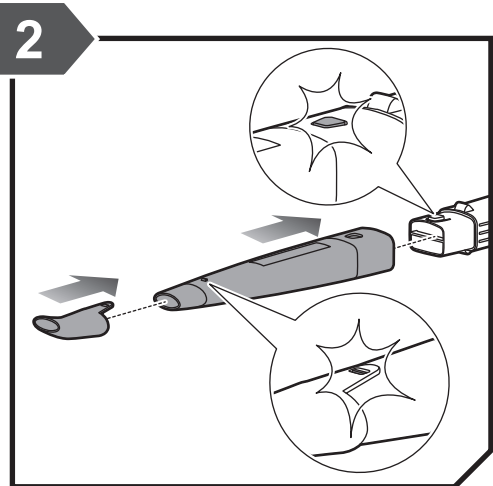
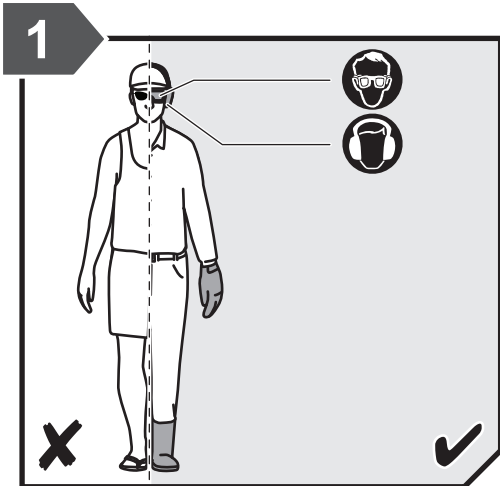
x 1



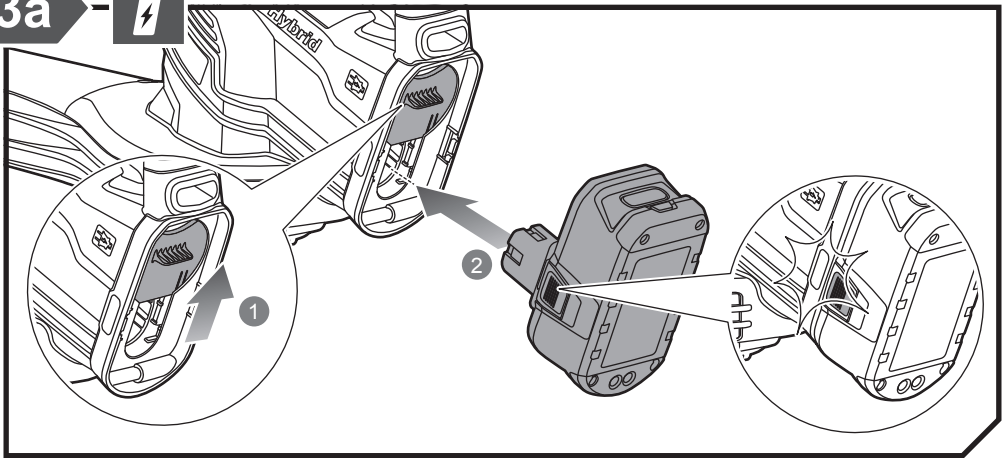
x 1



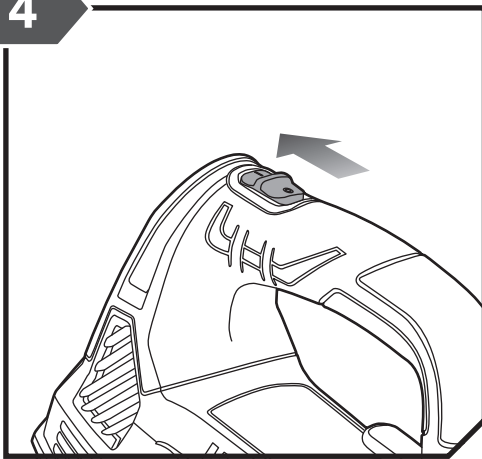




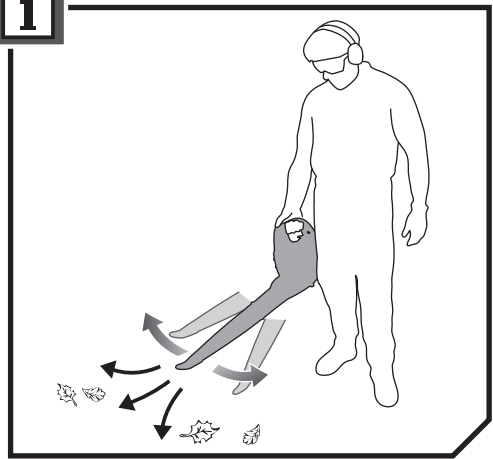
3a

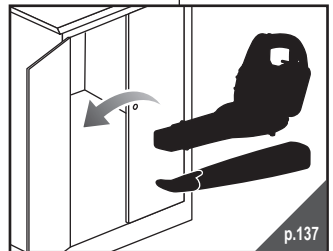
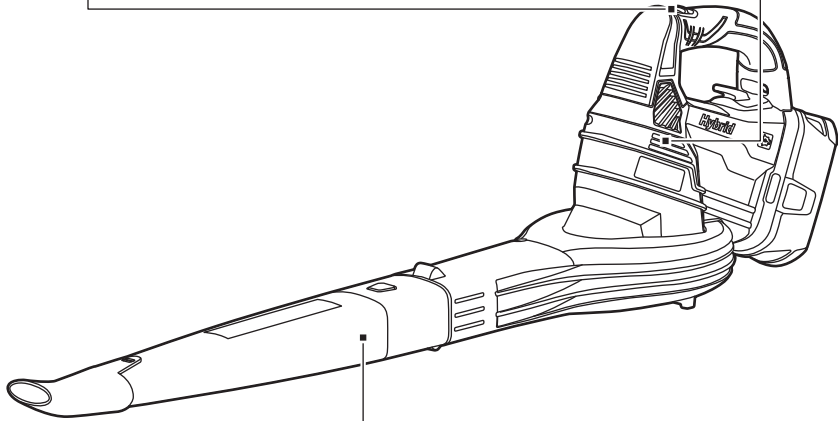
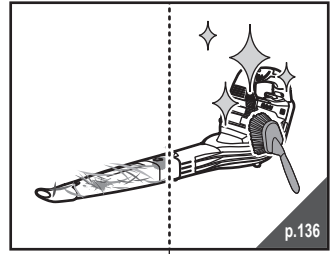
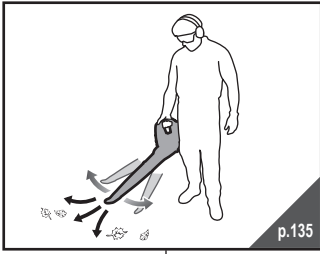


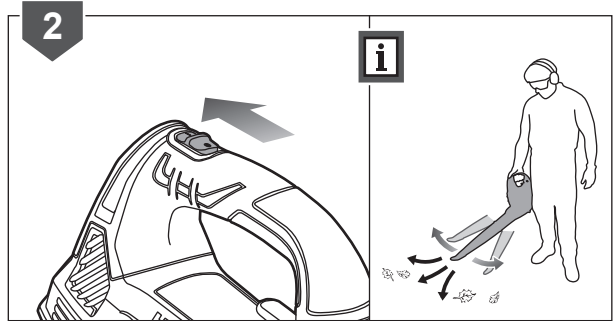
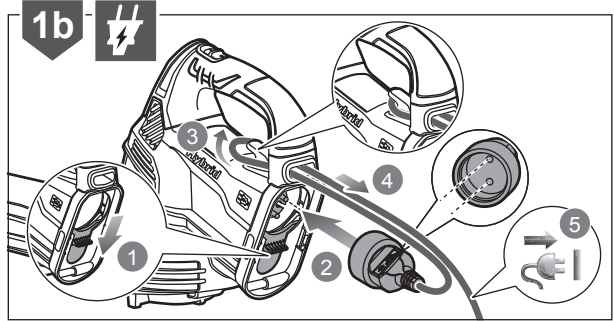
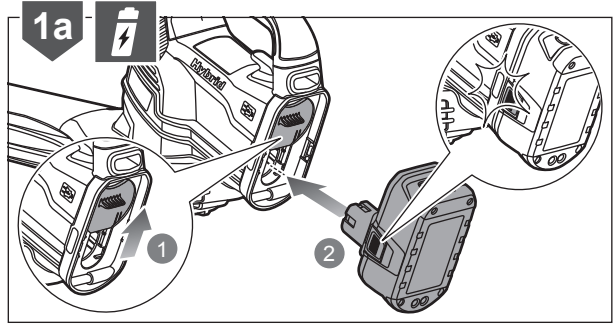
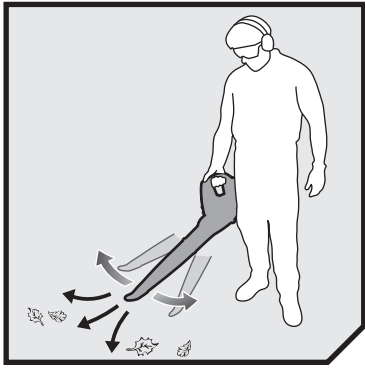
4

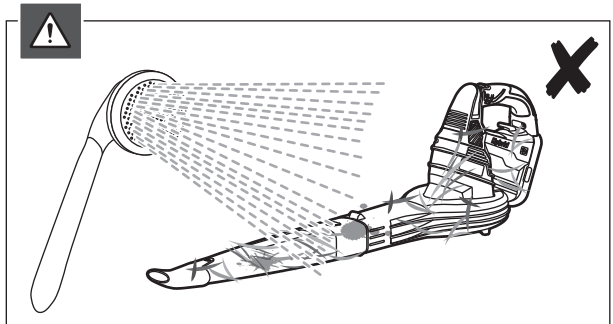
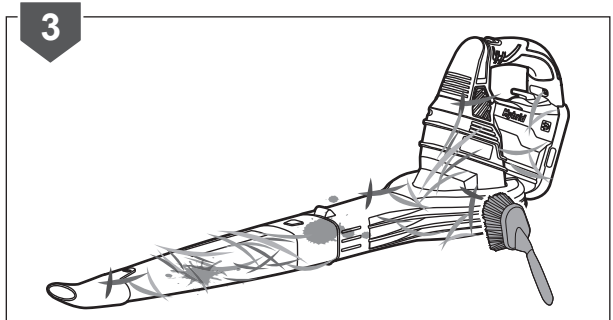
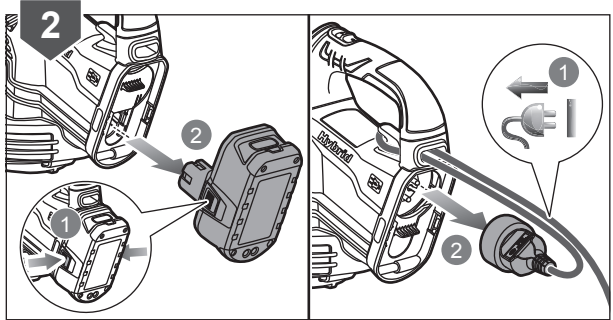
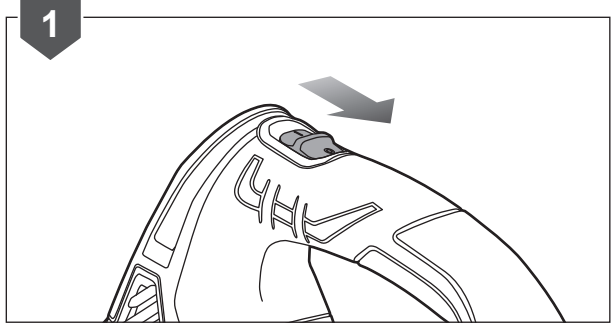
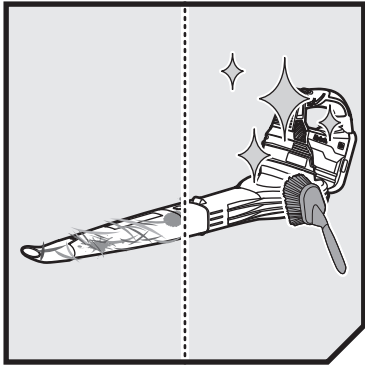


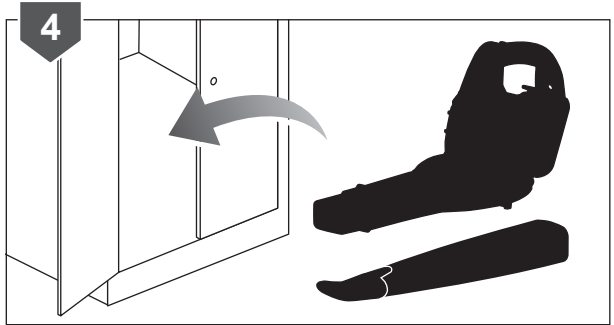
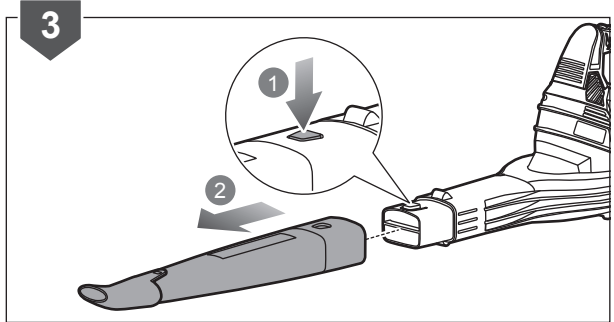
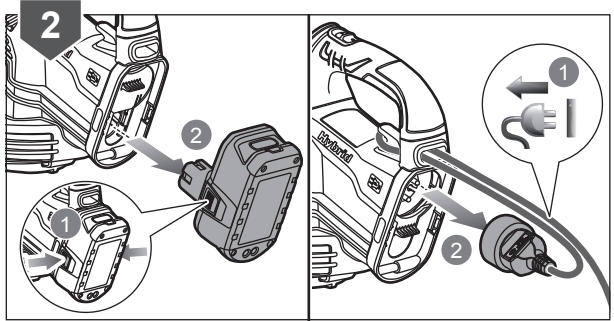
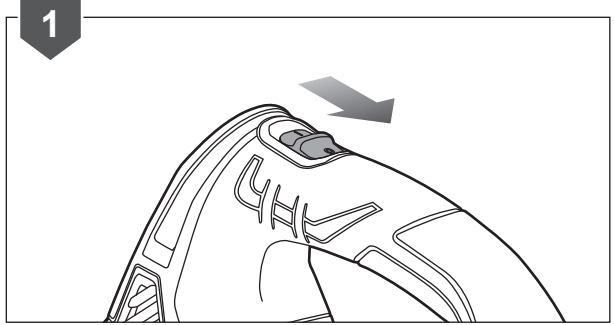
i











EN GUARANTEE

In addition to any statutory rights resulting from the purchase, this product is covered by a guarantee as stated below.

1. The guarantee period is 24 months for consumers and commences on the date when the product was purchased. This date has to be documented by an invoice or other proof of purchase. The product is designed and dedicated to consumer and private use only. So there is no guarantee provided in case of professional or commercial use.
2. There is, in some cases (i.e. promotion, range of tools), a possibility to extend the warranty period over the period described above using the registration on the www.ryobitools.eu website. The eligibility of the tool is clearly displayed in stores and/or on packaging. The end user needs to register his/her newly-acquired tools online within 8 days from the date of purchase. The end user may register for the extended warranty in his country of residence if listed on the online registration form where this option is valid. Furthermore, end users must give their consent to the storage of the data which are required to enter online and they have to accept the terms and conditions. The registration confirmation receipt, which is sent out by e-mail, and the original invoice showing the date of purchase will serve as proof of the extended warranty. Your statutory rights remain unaffected.
3. The guarantee covers all defects of the product during the warranty period due to defaults in workmanship or material at the purchase date. The guarantee is limited to repair and/or replacement and does not include any other obligations including but not limited to incidental or consequential damages. The warranty is not valid if the product has been misused, used contrary to the instruction manual, or being incorrectly connected. This guarantee does not apply to
 - any damage to the product that is the result of improper maintenance
 - any product that has been altered or modified
 - any product where original identification (trade mark, serial number) markings have been defaced, altered or removed
 - any damage caused by non-observance of the instruction manual
 - any non CE product
 - any product which has been attempted to be repaired by an non-qualified professional or without prior authorization by Techtronic Industries
 - any product connected to improper power supply (amps, voltage, frequency)
 - any product used with inappropriate fuel mixture (fuel, oil, percentage of oil)
 - any damage caused by external influences (chemical, physical, shocks) or foreign substances
 - normal wear and tear of spare parts
 - inappropriate use, overloading of the tool
 - use of non-approved accessories or parts
 - carburettor after 6 months, carburettor adjustments after 6 months
 - components (parts and accessories) subject to natural wear and tear, including but not limited to bump knobs, drive belts, clutch, blades of hedge trimmers or lawn mowers, harness, cable throttle, carbon brushes, power cord, tines, felt washers, hitch pins, blower fans, blower and vacuum tubes, vacuum bag and straps, guide bars, saw chains, hoses, connector fittings, spray nozzles, wheels, spray wands, inner reels, outer spools, cutting lines, spark plugs, air filters, gas filters, mulching blades, etc.
4. For servicing, the product must be sent or presented to a RYOBI authorized service station listed for each country in the following list of service station addresses. In some countries your local RYOBI dealer undertakes to send the product to the RYOBI service organisation. When sending a product to a RYOBI service station, the product should be safely packed without any dangerous contents such as petrol, marked with sender's address and accompanied by a short description of the fault.
5. A repair/replacement under this guarantee is free of charge. It does not constitute an extension or a new start of the guarantee period. Exchanged parts or tools become our property. In some countries delivery charges or postage will have to be paid by the sender.
6. This guarantee is valid in the European Community, Switzerland, Iceland, Norway, Liechtenstein, Turkey and Russia. Outside these areas, please contact your authorized RYOBI dealer to determine if another warranty applies.

AUTHORISED SERVICE CENTRE

To find an authorised service centre near you, visit <http://uk.ryobitools.eu/header/service-and-support/service-agents>.

FR GARANTIE

En plus des droits statutaires liés à l'achat, ce produit est couvert par une garantie telle que décrite ci-dessous.

1. La durée de la garantie accordée au consommateur est de 24 mois à partir de la date d'achat. Cette date doit être authentifiée par une facture ou tout autre preuve d'achat. Le produit a été conçu en vue d'une utilisation strictement privée. Aucune garantie ne s'applique donc en cas d'utilisation professionnelle ou commerciale.
2. Il existe, dans certains cas (par exemple promotion, gamme d'outils), une possibilité d'étendre la période de garantie au-delà de la période précédemment décrite en utilisant le formulaire d'enregistrement présent sur le site Internet www.ryobitools.eu. L'éligibilité d'un outil est clairement affichée dans les points de vente et/ou sur l'emballage. L'utilisateur final doit enregistrer son/ses outil(s) nouvellement acheté(s) en ligne dans les 8 jours qui suivent la date d'achat. L'utilisateur a la possibilité de s'enregistrer pour l'extension de garantie dans son pays de résidence si celui-ci est listé dans le formulaire d'enregistrement en ligne où cette option est valide. L'utilisateur final doit donner son consentement pour l'enregistrement des données requises pour accéder au site et doit accepter les termes et conditions. La confirmation d'enregistrement, envoyée par courrier électronique, ainsi que la facture originale mentionnant la date d'achat serviront de preuve de l'extension de garantie. Vos droits statutaires restent inchangés.
3. La garantie couvre les défauts des pièces et de main d'oeuvre du produit pendant la période de garantie à partir de la date d'achat. La garantie n'inclut aucune autre obligation, tel que, mais sans s'y limiter, les dommages accessoires ou indirects. La garantie est non valable en cas de mauvaise utilisation du produit, d'utilisation contraire aux instructions du mode d'emploi, ou en cas de branchement incorrect. Cette garantie ne s'applique pas pour :
 - tout dommage au produit résultant d'un mauvais entretien
 - tout produit ayant été altéré ou modifié
 - tout produit dont les marquages originaux d'identification (marque, numéro de série) ont été dégradés, altérés ou retirés
 - tout dommage causé par le non-respect des instructions du mode d'emploi
 - tout produit non CE
 - tout produit ayant subi une tentative de réparation par du personnel non qualifié ou sans autorisation préalable de Techtronic Industries
 - tout produit raccordé à une alimentation secteur non conforme (ampérage, voltage, fréquence)
 - tout produit utilisé avec un mélange inapproprié (essence, huile, pourcentage d'huile)
 - tout dommage causé par des influences extérieures (chimiques, physiques, chocs) ou par des substances étrangères
 - l'usure normale des pièces consommables
 - une utilisation inappropriée, une surcharge de l'outil
 - l'utilisation de pièces ou accessoires non agréés
 - les carburateurs après plus de 6 mois à compter de la date d'achat, également les réglages du carburateur après plus de 6 mois à compter de la date d'achat
 - les composants (pièces et accessoires) sujets à une usure naturelle, incluant de façon non exhaustive les têtes de fil à frapper, les courroies de transmission, les embrayages, les lames des taille-haies ou des tondeuses à gazon, les harnais, les câbles d'accélérateur, les charbons, les cordons d'alimentation, les fraises de cultivateurs, les rondelles feutre, les goupilles de fraise, les turbines et lame de broyage des souffleurs, les tubes de soufflage et d'aspiration des souffleurs, les sacs de souffleurs et leurs lanières, les guides-chaîne, les chaînes de tronçonneuses, les tuyaux et raccords, les buses et lances de nettoyeurs haute pression, les roues, les recharges de fil des têtes de coupe, les têtes de coupe, le fil de coupe, les bougies d'allumage, les filtres à air, les filtres à essence, etc.
4. Si le produit doit être réparé, envoyez-le à un service après-vente agréé RYOBI dont vous trouverez ci-dessous la liste pour chaque pays. Dans certains pays, votre revendeur RYOBI se chargera d'envoyer le produit à un centre de réparation RYOBI. Lorsque vous envoyez un produit à un service après-vente RYOBI, celui-ci doit être correctement emballé, sans contenir aucun produit dangereux tel que de l'essence, et vous devez indiquer votre adresse ainsi qu'une courte description du problème.
5. Une réparation / un remplacement sous garantie est gratuit(e). Ceci ne constituera pas une extension de garantie ni un nouveau départ de la période de garantie. Les pièces ou les outils remplacés deviennent notre propriété. Dans certains pays, les frais de port devront être assumés par l'expéditeur.
6. Cette garantie est valable au sein de l'Europe, de la Suisse, de l'Islande, de la Norvège, du Liechtenstein, de la Turquie, de la Russie. En dehors de ces zones, veuillez contacter votre distributeur agréé RYOBI pour déterminer si une autre garantie s'applique.

SERVICE APRÈS-VENTE AGRÉÉ

Pour trouver le service après-vente agréé le plus proche, rendez-vous sur <http://fr.ryobitools.eu/header/service-and-support/service-agents>.

DE GARANTIE

Zusätzlich zu den aufgrund des Kaufs entstehenden gesetzlichen Rechten, ist dieses Produkt von der unten aufgeführten Garantie abgedeckt.

- Die Garantiezeit für Endverbraucher beträgt 24 Monate für und beginnt ab dem Kaufdatum des Produktes. Dieses Datum muss durch eine Rechnung oder einen anderen Kaufbeleg dokumentiert sein. Das Produkt ist ausschließlich für den Privatgebrauch entwickelt und bestimmt. Deshalb wird keine Garantie im Fall von professionellem oder kommerziellem Einsatz angeboten.
- In einigen Fällen (z.B. Promotion, auf eine bestimmte Produktpalette oder auf bestimmte Produkte begrenzt) besteht die Möglichkeit die Garantiezeit über den oben genannten Zeitraum, durch Registrierung auf der Webseite www.ryobitools.eu, zu verlängern. Der verlängerte Garantieanspruch für ein bestimmtes Produkt wird deutlich in den Geschäften und/oder auf der Verpackung des Produktes gezeigt. Der Endverbraucher muss seine neu gekauften Produkte innerhalb von 8 Tagen ab Kaufdatum registrieren. Der Endverbraucher kann sich für die erweiterte Garantie im Land seines permanenten Wohnsitzes registrieren, wenn diese Möglichkeit in dem Online-Formular gegeben ist. Des weiteren müssen die Endverbraucher ihr Einverständnis zur Speicherung der online angegebenen Daten geben und die Geschäftsbedingungen annehmen. Die per E-Mail verschickte Bestätigung der Registrierung und die Originalrechnung mit Kaufdatum dienen als Nachweis für die verlängerte Garantie. Ihre gesetzlichen Rechte bleiben unangetastet.
- Die Garantie deckt während der Garantiezeit ab Kaufdatum alle Produktmängel aufgrund von Material- oder Herstellungsmängeln ab. Diese Garantie ist auf Reparatur und/oder Ersatz beschränkt und enthält keine weiter Verpflichtungen einschließlich aber nicht beschränkt auf beiläufige oder resultierende Schäden. Die Garantie ist nicht gültig, wenn das Produkt missbräuchlich oder entgegen der Bedienungsanleitung benutzt, oder falsch angeschlossen wurde. Diese Garantie gilt nicht für:
 - Jegliche Schäden die an dem Produkt aufgrund falscher Wartung entstehen.
 - Jedes Produkt das verändert oder modifiziert wurde.
 - Jedes Produkt an dem die originale Identifizierung (Markenzeichen, Seriennummer) verunstaltet, verändert oder entfernt wurden.
 - Jede Beschädigung die durch Nichtbeachtung der Bedienungsanleitung verursacht wurde.
 - Jedes Produkt ohne CE Zeichen.
 - Jedes Produkt das von einer unqualifizierten Person oder ohne vorherige Genehmigung von Techtronic Industries versucht wurde zu reparieren.
 - Jedes Produkt das an eine falsche Stromversorgung (Ampere, Spannung, Frequenz) angeschlossen wurde.
 - Jedes Produkt das mit einer falschen Treibstoffmischung (Treibstoff, Öl, Prozentanteil von Öl) betrieben wurde.
 - Jede Beschädigung die von äußeren Einflüssen (chemisch, physisch, Stöße) oder fremden Substanzen verursacht wurde.
 - Normaler Verschleiß und Abnutzung von Ersatzteilen.
 - Zweckwidrige Benutzung, Überlastung des Werkzeugs.
 - Benutzung von nicht zugelassenem Zubehör oder Teilen.
 - Den Vergaser nach 6 Monaten, die Vergasereinstellung nach 6 Monaten.
 - Teile (Teile und Zubehörteile) die normalem Verschleiß unterliegen, einschließlich aber nicht beschränkt auf Fadenköpfe, Antriebsriemen, Kupplungen, Klängen von Heckenschneidern oder Rasenmähern, Gurtzeug, Gaszügen, Kohlebürsten, Netzkabel, Zinken, Filzunterlegscheiben, Anhangstifte, Gebläse, Gebläse- und Saugschläuche, Saugbeutel und Riemen, Führungsschienen, Sägeketten, Schläuche, Anschlüsse, Sprühdüsen, Räder, Sprühanlagen, innere Rollen, äußere Spulen, Schneidfäden, Zündkerzen, Luftfilter, Treibstofffilter, Mulchmesser usw.
- Zur Wartung muss das Produkt eingeschickt werden oder einem für jedes Land in der folgenden Liste aufgeführten autorisierten RYOBI Kundendienst gebracht werden. In einigen Ländern schickt Ihr örtlicher RYOBI Händler das Produkt an den RYOBI Kundendienst. Wenn ein Produkt an den RYOBI Kundendienst geschickt wird, sollte es sicher verpackt werden, ohne gefährlichen Inhalt, wie Treibstoff, mit der Absenderadresse versehen sein und eine kurze Beschreibung des Fehlers enthalten.
- Reparatur/Ersatz unter dieser Garantie sind kostenfrei. Das stellt keine Verlängerung oder Neustart der Garantiezeit dar. Ausgewechselte Teile oder Werkzeuge treten in unseren Besitz über. In einigen Ländern müssen Lieferkosten oder Postgebühren von dem Absender getragen werden.
- Diese Garantie gilt in der Europäische Gemeinschaft, Schweiz, Island, Norwegen, Liechtenstein, Türkei und Russland. Bitte kontaktieren Sie Ihren autorisierten RYOBI-Händler, um herauszufinden ob eine andere Gewährleistung außerhalb dieser Gebiete gültig ist.

AUTORISIERTER KUNDENDIENST

Besuchen Sie <http://de.ryobitools.eu/header/service-and-support/service-agents>, um einen autorisierten Kundendienst in Ihrer Nähe zu finden.

ES GARANTÍA

Además de cualquier derecho estatutario derivado de la compra, este producto está cubierto con la siguiente garantía.

- El período de garantía es de 24 meses para los consumidores y comienza a partir de la fecha de compra del producto. Esta fecha debe demostrarse con una factura u otra prueba de compra. El producto está diseñado y destinado al consumidor y únicamente para uso privado. Por tanto, no se ofrece ninguna garantía en caso de uso profesional o comercial.
- En algunos casos (como promociones o un conjunto de herramientas) existe la posibilidad de ampliar el período de garantía hasta el período descrito anteriormente mediante el registro en el sitio web www.ryobitools.eu. La elegibilidad de la herramienta se muestra claramente en las tiendas o en el embalaje. El usuario final debe registrar sus herramientas recién adquiridas en línea en los 8 días siguientes a la fecha de compra. El usuario final podrá registrarse para ampliar la garantía en su país de residencia si éste aparece en el formulario de registro en línea en que esta opción es válida. Además, los usuarios finales deben dar su consentimiento para que se guarden los datos que se solicitan para entrar en línea y aceptar los términos y condiciones. El recibo de la confirmación de registro, que se enviará por correo electrónico, y la factura original que muestre la fecha de compra servirán como prueba de la ampliación de la garantía. Sus derechos estatutarios permanecerán intactos.
- La garantía cubre, durante el período de garantía, todos los defectos del producto que se deban a fallos de la mano de obra o a fallos del material en la fecha de compra. La garantía tiene un límite de reparación o sustitución y no incluye ninguna otra obligación se deba a, aunque sin limitarse a ello, daños accidentales o incidentales. La garantía no es válida si se ha hecho un uso inadecuado del producto, si no se ha usado siguiendo el manual de instrucciones o si se ha conectado incorrectamente. Esta garantía no se aplica a:
 - cualquier daño del producto derivado de un mantenimiento inadecuado
 - cualquier producto que haya sido alterado o modificado
 - cualquier producto en el que las marcas de identificación originales (marca comercial, número de serie) hayan sido borradas, modificadas o eliminadas
 - cualquier daño causado por el incumplimiento del manual de instrucciones
 - cualquier producto que no sea CE
 - cualquier producto que haya intentado reparar un profesional no cualificado o sin una autorización previa de Techtronic Industries
 - cualquier producto conectado a un suministro eléctrico inadecuado (amperios, tensión, frecuencia)
 - cualquier producto utilizado con una mezcla de combustible inadecuada (combustible, aceite, porcentaje de aceite)
 - cualquier daño causado por influencias externas (de productos químicos, daños físicos, descarga eléctrica) o sustancias extrañas
 - desgaste o rotura normal de las piezas de repuesto
 - uso inadecuado, sobrecarga de la herramienta
 - uso de accesorios o piezas no homologados
 - carburador después de 6 meses, ajustes del carburador después de 6 meses
 - componentes (piezas y accesorios) sujetos a un desgaste o rotura natural, incluyendo, aunque sin limitarse a ello, las perillas de las bombas, correas de transmisión, embrague, cuchillas de cortasetos o cortacéspedes, arnés, acelerador, escobillas de carbón, cable de alimentación, horquillas, arandelas de fieltro, pasadores de enganche, ventiladores, tubos de ventilador y de vacío, correas y bolsas de vacío, barras de guía, sierras de cadena, mangueras, accesorios de conexión, boquillas pulverizadoras, ruedas, varas rioradoras, carretes interiores y exteriores, hilos de corte, bujías, filtros de aire, filtros de gas, cuchillas de trituración, etc.
- Para el servicio, el producto debe enviarse o entregarse en un punto de servicio técnico autorizado RYOBI enumerado para cada país en la siguiente lista de direcciones de servicio técnico. En algunos países su distribuidor local RYOBI se encarga de enviar el producto a la organización del servicio de RYOBI. Al enviar un producto a un punto de servicio técnico RYOBI, el producto debe embalarse de forma segura sin que contenga ninguna sustancia peligrosa como petróleo, debe llevar la dirección del remitente e ir acompañado de una breve descripción del fallo.
- Una reparación/sustitución dentro de esta garantía se realiza de forma gratuita. No constituye una ampliación ni un reinicio del período de garantía. Las piezas o herramientas que se cambian pasan a ser de nuestra propiedad. En algunos países los gastos de envío o del franqueo deberán pagarlos el remitente.
- Esta garantía es válida en la Comunidad Europea, Suiza, Islandia, Noruega, Liechtenstein, Turquía y Rusia. Fuera de estas zonas, póngase en contacto con su distribuidor autorizado RYOBI para determinar si se aplica otra garantía.

SERVICIO TÉCNICO AUTORIZADO

Para encontrar el servicio técnico autorizado más cercano, visite <http://uk.ryobitools.eu/header/service-and-support/service-agents>.



IT GARANZIA

Oltre ai legittimi diritti derivanti dall'acquisto del prodotto, quest'ultimo è coperto da garanzia come indicato nei seguenti punti.

- Il periodo di garanzia per il consumatore è di 24 mesi ed ha inizio dalla data in cui il prodotto è stato acquistato. Questa data deve essere documentata da una ricevuta o da altra prova d'acquisto. Il prodotto è stato disegnato e progettato solo per l'utilizzo privato del consumatore. La garanzia viene invalidata in caso di utilizzo professionale o commerciale.
- In alcuni casi (per esempio promozioni e gamme di prodotti) esiste la possibilità di estendere il periodo di garanzia oltre il periodo indicato sopra registrandosi sul sito web www.ryobitools.eu. L'idoneità del prodotto a rievolvere tale estensione viene indicata chiaramente nei punti vendita e/o sull'imballo. L'utente finale deve registrare il suo prodotto appena acquistato online entro 8 giorni dalla data d'acquisto. L'utente finale può accedere all'offerta nel suo paese quando la stessa è valida e qualora si sia registrato online. Inoltre, gli utenti finali devono dare il proprio consenso all'archiviazione dei dati che si inseriscono online indicando che i termini e le condizioni sono stati accettati. La ricezione della conferma della registrazione verrà inviata via email e la fattura originale indicante la data d'acquisto verrà utilizzata come prova della garanzia estesa. I diritti legittimi dell'utente rimarranno invariati.
- La garanzia copre tutti i difetti di fabbricazione del prodotto durante il periodo di garanzia a causa di guasti di fabbricazione o di materiale alla data di acquisto. La garanzia è limitata alla riparazione e/o alla sostituzione e non include altri obblighi compreso ma non limitato a danni incidentali o consequenziali. La garanzia non è valida se il prodotto non è stato utilizzato come indicato nel manuale di istruzioni o se è stato collegato in maniera non corretta. La garanzia non si applica a:
 - qualsiasi danno al prodotto che sia il risultato di una scorretta manutenzione
 - qualsiasi prodotto che sia stato alterato o modificato
 - qualsiasi prodotto sul quale l'identificazione originale (marchio registrato, numero di serie) sia stata resa illegibile, sia stata danneggiata o alterata
 - qualsiasi danno causato dalla non osservanza del manuale d'istruzioni
 - qualsiasi prodotto non contrassegnato con il marchio CE
 - qualsiasi prodotto che una persona non qualificata abbia tentato di riparare o che si è tentato di riparare senza l'autorizzazione delle Techtronisianoc Industries
 - qualsiasi prodotto collegato a un'alimentazione non corretta (per amp, voltaggio, frequenza)
 - qualsiasi prodotto utilizzato con la miscela scorretta di carburante (carburante, olio, percentuale d'olio)
 - qualsiasi danno causato da agenti esterni (chimici, fisici o shock) o da sostanze estranee
 - normale usura di parti di ricambio
 - utilizzo non appropriato, sovraccaricamento di utensili
 - utilizzo non approvato di accessori o parti
 - carburatore dopo 6 mesi, regolazioni al carburatore dopo 6 mesi
 - componenti (parti e accessori) soggetti alla normale usura, compreso ma non limitato a manopole di avviamento a spinta, cinghie di trasmissione, frizione, lame di sfondatori o tagliaerba, cablaggio, cavo dell'acceleratore, spazzole al carbonio, cavi dell'alimentazione, lancette, rondelle in feltro, perni di aggancio, ventole del soffiatore, tubi del soffiatore e dell'aspirapolvere, sacchetti e cinghie dell'aspirapolvere, barre di guida, catene della motosega, tubi, raccordi del connettore, ugelli a spruzzo, ruote, bacchette a spruzzo, bobine interne, bobine esterne, fili di taglio, candele, filtri dell'aria, filtri del gas, lame di triturazione, ecc.
- Per servizi di manutenzione, il prodotto dovrà essere mandato o presentato presso un punto di servizio clienti autorizzato RYOBI indicato nella seguente lista. In alcune nazioni il rivenditore RYOBI si occuperà di inviare il prodotto al più vicino servizio clienti Ryobi. Quando si invia un prodotto a un servizio clienti RYOBI, il prodotto dovrà essere correttamente imballato senza eventuali contenuti pericolosi quali carburanti, e contrassegnato con l'indirizzo della persona che lo ha inviato e accompagnato da una breve descrizione del problema riscontrato.
- Si garantisce una riparazione/sostituzione gratuita quando il prodotto è coperto da garanzia. Questa sostituzione o riparazione non costituisce una estensione o un nuovo inizio di un periodo di garanzia. Le parti o l'utensile cambiati sono di proprietà della ditta. In alcune nazioni i costi di consegna o invio dovranno essere pagati dalla persona che spedisce.
- Questa garanzia è valida all'interno della Comunità Europea, in Svizzera, Islanda, Norvegia, Liechtenstein, Turchia e Russia. Al di fuori di queste aree, si prega di contattare il proprio gestore autorizzato RYOBI per determinare se si applica un'altra garanzia.

CENTRO SERVIZI AUTORIZZATO

Per individuare il più vicino centro servizi autorizzato, visitare il sito <http://uk.ryobitools.eu/header/service-and-support/service-agents>.

NL GARANTIE

Bovenop de statutaire rechten als gevolg van de aankoop, wordt dit product gedekt door een garantie, zoals deze hieronder wordt beschreven.

- De garantietermijn bedraagt 24 maanden voor consumenten en begint vanaf de datum waarop het product werd aangekocht. Deze datum moet worden gedocumenteerd door een factuur of ander aankoopbewijs. Het product is uitsluitend ontworpen en bedoeld voor particuliere gebruikers. De garantie vervalt bij professioneel of commercieel gebruik.
- In enkele gevallen (vb. promotie, gereedschapsaanbod) bestaat er een mogelijkheid om de garantietermijn te verlengen met dezelfde periode als deze hierboven beschreven met behulp van de registratie op de website www.ryobitools.eu. Of het product al of niet in aanmerking komt, is duidelijk aangegeven in winkels en/of de verpakking. De eindgebruiker dient zijn/haar nieuw werktuig binnen de 8 dagen na de aankoopdatum online registreren. De eindgebruiker kan zich aanmelden voor de uitgebreide garantie in zijn verblijfsland als dit op het online registratieformulier is opgenomen wanneer deze optie geldig is. Bovendien moet de eindgebruiker zijn toestemming geven om informatie te gebruiken die nodig is om toegang te krijgen tot de website en dient de algemene voorwaarden te accepteren. Het ontvangstbewijs van dit registratieformulier, dat via e-mail wordt verzonden, en de originele factuur die de aankoopdatum vermeldt dienen als bewijs van de uitgebreide garantie. Uw statutaire rechten blijven onveranderd.
- De garantie dekt alle defecten van het product gedurende de garantietermijn als gevolg van fouten in het werk of materiaal op de aankoopdatum. De garantie is beperkt tot de reparatie en/of vervanging en omvat geen andere verplichtingen waaronder, maar niet beperkt tot, incidentele of gevolgschade. De garantie is niet geldig als het product werd misbruikt, in tegenspraak met de gebruiksaanwijzing werd gebruikt of foutief werd verbonden. Deze garantie geldt niet voor:
 - schade aan het product als gevolg van foutief onderhoud
 - als het product op enigerlei wijze werd gewijzigd
 - als originele markeringen ter identificatie (handelsmerk, serienummer) van het product werden verwijderd of gewijzigd
 - voor schade als gevolg van het niet in acht nemen van deze gebruiksaanwijzing
 - een niet EC-product
 - een product, waaraan een niet-gekwalificeerde vakman reparaties uitvoerde of waaraan reparaties werden uitgevoerd zonder voorafgaande toestemming van Techtronic Industries
 - een product dat werd aangesloten aan een foutieve krachtbron (amps, spanning, frequentie)
 - een product dat met een ongeschikt brandstofmengsel (brandstof, olie, oliepercentage) werd gebruikt
 - schade veroorzaakt door externe invloeden (chemische, fysieke schokken) of vreemde stoffen
 - normale slijtage van reserve-onderdelen
 - foutief gebruik, overbelasting van het werktuig
 - gebruik van niet-goedgekeurde accessoires of onderdelen
 - de carburator na 6 maanden, carburatorafstellingen na 6 maanden
 - componenten (onderdelen en accessoires) die onderworpen zijn aan slijtage, met inbegrip van, maar niet beperkt tot stookknoppen, aandrijfriemen, koppeling, snijbladen van heggtrimmers of grasmaaimachines, harnassen, versnellingskabels, koolborstels, stroomsnoeren, tanden, viltrepen, trekpenen, ventilatoren, blazer- en vacuümhuizen, stofzuigzakken en -riemen, geleiders, zaagkettingen, slangen, connectoren, sproeimodellen, wielen, sproeiërs, inwendige spoelen, uitwendige spoelen, maaialijnen, bougies, luchtfilters, gasfilters, struikruimbladen, etc.
- Voor onderhoud moet het product naar een geautoriseerd RYOBI-onderhoudsstation worden gestuurd of gebracht. Een lijst met de adressen van deze stations per land is hier opgenomen. In bepaalde landen verzendt uw plaatselijke RYOBI-verdeler het product naar de RYOBI-onderhoudsorganisatie. Als een product naar een RYOBI-onderhoudsstation wordt gezonden, moet het product veilig zijn verpakt zonder gevaarlijke inhoud, zoals benzine, met aanduiding van het adres van de verzender en met inbegrip van een korte beschrijving van de fout.
- Een reparatie/vervanging onder deze garantie is gratis. Dit heeft geen gevolgen voor de duur van deze garantie of betekent niet dat de garantie wordt verlengd of opnieuw begint. Vervangen onderdelen of werktuigen worden onze eigendom. In bepaalde landen moeten verzendings- of leveringskosten door de verzender worden betaald.
- Deze garantie is geldig in de Europese Unie, Zwitserland, IJsland, Noorwegen, Liechtenstein, Turkije en Rusland. Buiten deze landen neemt u contact op met uw geautoriseerde RYOBI-verdeler om te bepalen of er een andere garantie geldt is.

GEAUTORISEERD ONDERHOUDSCENTRUM

Om een geautoriseerd onderhoudscentrum in uw buurt te vinden, surf u naar <http://uk.ryobitools.eu/header/service-and-support/service-agents>.



PT GARANTIA

Além de qualquer direito estatutário derivado da compra, este produto está coberto com a seguinte garantia.

- O período de garantia é de 24 meses para os consumidores e começa a partir da data de compra do produto. Esta data deve ser comprovada com uma factura ou outra prova de compra. O produto foi desenhado e destinado ao consumidor e apenas para uso privado. Portanto, não se oferece qualquer garantia em caso de uso profissional ou comercial.
- Em alguns casos (como promoções ou um conjunto de ferramentas) existe a possibilidade de ampliar o período de garantia até ao período descrito anteriormente através do registo no website www.ryobitools.eu. A elegibilidade da ferramenta mostra-se claramente nas lojas ou na embalagem. O utilizador final deve registar as suas ferramentas recém-adquiridas on-line nos 8 dias seguintes à data de compra. O utilizador final poderá registar-se para ampliar a garantia no seu país de residência se este aparecer no formulário de registo on-line em que esta opção é válida. Além disso, os utilizadores finais devem dar o seu consentimento para se guardarem os dados que se solicitam para entrar on-line e aceitar os termos e condições. A confirmação de registo, que será enviada por correio electrónico, e a factura original que mostre a data de compra servirão como prova da ampliação da garantia. Os seus direitos estatutários permanecerão intactos.
- A garantia cobre, durante o período de garantia, todos os defeitos do produto que se devam a falhas da mão-de-obra ou a falhas do material na data de compra. A garantia tem um limite de reparação ou substituição e não inclui qualquer outra obrigação que se deva a, embora sem se limitar a tal, danos acidentais ou incidentais. A garantia não é válida se se fez um uso inadequado do produto, se não se usou seguindo o manual de instruções ou se foi ligado incorrectamente. Esta garantia não se aplica a:
 - qualquer dado do produto derivado de uma manutenção inadequada
 - qualquer produto que tenha sido alterado ou modificado
 - qualquer produto em que as marcas de identificação originais (marca comercial, número de série) tenham sido apagadas, modificadas ou eliminadas
 - qualquer dano causado por incumprimento do manual de instruções
 - qualquer produto que não seja CE
 - qualquer produto que um profissional não qualificado tenha tentado reparar ou sem uma autorização prévia de Techtronic Industries
 - qualquer produto ligado a um fornecimento eléctrico inadequado (ampérios, tensão, frequência)
 - qualquer produto utilizado com uma mistura de combustível inadequada (combustível, óleo, percentagem de óleo)
 - qualquer dano causado por influências externas (de produtos químicos, danos físicos, descarga eléctrica) ou substâncias estranhas
 - desgaste ou ruptura normal das peças de substituição
 - uso inadequado, sobrecarga da ferramenta
 - uso de acessórios ou peças não homologadas
 - carburador após 6 meses, ajustes do carburador após 6 meses
 - componentes (peças e acessórios) sujeitos a um desgaste ou ruptura natural, incluindo, embora sem se limitar a tal, os botões de embate, correias de transmissão, embraiagem, lâminas de corta-arbustos ou corta-relvas, ameses, acelerador, escovas de carvão, cabo de alimentação, forquilhas, anilhas de feltro, passadores de gancho, ventiladores, tubos de ventilador e de vácuo, correias e bolsas de vácuo, barras de guia, serras de cadeia, mangueiras, acessórios de ligação, boquilhas pulverizadoras, rodas, varas borrifadoras, carretes interiores e exteriores, fios de corte, velas, filtros de ar, filtros de gás, lâminas de trituração, etc.
- Para o serviço, o produto deve ser enviado ou entregue num ponto de serviço técnico autorizado RYOBI enumerado para cada país na seguinte lista de moradas de serviço técnico. Em alguns países o seu distribuidor local RYOBI encarrega-se de enviar o produto para a organização do serviço de RYOBI. Ao enviar um produto a um ponto de serviço técnico RYOBI, o produto deve ser embalado de forma segura sem que contenha qualquer substância perigosa como petróleo, deve levar a morada do remetente e ir acompanhado de uma breve descrição da falha.
- Uma reparação/substituição dentro desta garantia realiza-se de forma gratuita. Não constitui uma ampliação nem um reinício do período de garantia. As peças o ferramentas que se alterem passam a ser da nossa propriedade. Em alguns países os gastos de envio ou da franquia deverá pagá-los o remetente.
- Esta garantia é válida na Comunidade Europeia, Suíça, Islândia, Noruega, Liechtenstein, Turquia e Rússia. Fora destas zonas, entre em contacto com o seu distribuidor autorizado RYOBI para determinar se se aplica outra garantia.

CENTRO DE ASSISTÊNCIA AUTORIZADO

Para encontrar um centro de assistência autorizado próximo de si, visite <http://uk.ryobitools.eu/header/service-and-support/service-agents>.

DA GARANTI

Ud over de lovbestemte rettigheder ved køb, er dette produkt dækket af en garanti som angivet nedenfor.

- Garantien er 24 måneder for forbrugerne og træder i kraft den dato, hvor produktet bliver købt. Denne dato skal dokumenteres af en faktura eller andet købsbevis. Produktet er designet og beregnet til privat brug. Så der er ingen garanti i tilfælde af erhvervs-mæssig brug.
- Der er i visse tilfælde (f.eks. kampagner eller udvalgt produkter) mulighed for at forlænge garantien i perioden beskrevet ovenfor ved at registrere produktet på www.ryobitools.dk. Berettigelsen af produktet vises tydeligt i butikker og / eller på emballagen. Slutbrugeren skal registrere hans/hendes nyhvervede produkter online indenfor 8 dage fra købsdatoen. Slutbrugeren kan tilmelde sig den udvidede garanti i sit bopælsland, hvis det er opført på den online tilmeldingsformular. Desuden skal slutbrugere give deres samtykke til lagring af de data, der er nødvendige for at komme ind på nettet, og de er nødt til at acceptere vilkår og betingelser. Kvittingen på modtagelsen af registreringen, som udsendes via e-mail, og den originale faktura, der angiver købsdatoen, fungerer som bevis på den udvidede garanti. Dine lovbestemte rettigheder forblive uændret.
- Garantien dækker alle fejl ved produktet i løbet af garantiperioden, som kan føres tilbage til fabriktions- eller materialefejl på købsdatoen. Garantien begrænser sig til reparation og/eller udskidning og omfatter ikke andre forpligtelser inklusiv, men ikke begrænset til, skader eller følgeskader. Garantien er ikke gyldig, hvis produktet har været udsat for misbrug, anvendelse i strid med brugsanvisningen eller har været tilsluttet forkert. Denne garanti dækker ikke:
 - Enhver skade på produktet som følge af ukorrekt vedligeholdelse
 - Ethvert produkt, som er blevet ændret eller modificeret
 - Ethvert produkt, hvor de originale identifikationsmærker (varemærke, serienummer) er blevet ødelagt, ændret eller fjernet
 - Enhver skade, der skyldes manglende overholdelse af brugsanvisningen
 - Ethvert produkt uden CE-mærkning
 - Ethvert produkt, som har været udsat for forsøg på reparation af en uautoriseret fagmand eller uden accept fra Techtronic Industries
 - Ethvert produkt, der har været sluttet til forkert strømforsyning (ampere, spænding, frekvens)
 - Ethvert produkt, der har været anvendt med forkert brændstofblanding (brændstof, olie, olieforhold)
 - Enhver skade, der skyldes udefra kommende påvirkninger (kemisk, fysisk, stød) eller fremmedlegemer
 - Normal slitage på reservedele
 - Forkert anvendelse, overbelastning af produktet
 - Brug af ikke-godkendt tilbehør eller (reserve)dele
 - Karburator efter 6 måneder, karburatorjusteringer efter 6 måneder
 - komponenter (dele og tilbehør), der har været udsat for naturlig slitage, inklusive, men ikke begrænset til, afstandsknopper, drivremme, kobling, klinger på hækkeklippere eller plæneklippere, seler, gaskabel, kulbørster, strømforsyningskabel, knive, filtknive, låsestifte, blæseventilatorer, blæse- og indsuigningsrør, sugepose og stropper, styresværd, savkæder, slanger, tilslutningsfittings, sprøjtedyser, hjul, sprøjtetave, indvendige hjul, udvendige spoler, skæretråd, tændrør, luftfiltre, gasfiltre, bioklip-klinger, mv.
- Til servicering skal produktet indleveres til eller forevises et autoriseret RYOBI serviceværksted for det pågældende land. I nogle lande vil din lokale RYOBI-forhandler sende produktet til RYOBI's serviceorganisation. Når et produkt indleveres til et RYOBI serviceværksted, skal det emballeres forsvarligt uden farligt indhold (som f.eks. benzin), være forsynet med afsenderadresse og ledsaget af en kort beskrivelse af fejlen.
- Reparation/udskifning i henhold til denne garanti er gratis. Den medfører ikke forlængelse eller ny start af garantiperioden. Udskiftede dele eller værktøjer overgår til vores ejendom. I nogle lande skal leveringsomkostninger eller porto betales af afsenderen.
- Denne garanti er gyldig i EU, Schweiz, Island, Norge, Liechtenstein, Tyrkiet og Rusland. Uden for disse områder bedes man venligst kontakte sin autoriserede RYOBI-forhandler for at få opklaret, om evt. andre garantier er gældende.

AUTORISERED SERVICE/VERKSTEDER

Find nærmeste autoriserede serviceværksted på <http://dk.ryobitools.eu/header/service-and-support/service-agents>.

SV GARANTI

Förutom de lagstadgade rättigheter som följer köpet omfattas denna produkt av en garanti som anges nedan.

- Garantitiden är 24 månader för konsumenter och börjar den dag då produkten köptes. Detta datum måste kunna dokumenteras av en faktura eller annat inköpsbevis. Produkten är utformad och avsedd för konsumenter och ska endast användas för privat bruk. Det innebär att ingen garanti lämnas vid yrkesmässig eller kommersiell användning.
- I vissa fall (t.ex. marknadsföring, sortiment av verktyg), finns det en möjlighet att förlänga garantitiden under den period som beskrivs ovan genom registrering på hemsidan www.ryobitools.eu. De verktyg det gäller för framgår tydligt i butikern och/eller på förpackningen. Slut användaren måste registrera sitt nyinköpta verktyg på nätet inom 8 dagar från inköpsdatum. Slut användaren kan registrera sig för den utökade garantitiden i sitt hemland om det framgår på registreringsformuläret online där detta alternativ är giltigt. Dessutom måste slut användarna ge sitt samtycke till lagring av de uppgifter som krävs för att komma in på nätet och de måste godkänna villkoren. Registreringens mottagningsbevis som skickas ut via e-post och den ursprungliga fakturan som visar inköpsdatum fungerar som bevis på förlängd garantitid. Dina lagstadgade rättigheter påverkas inte.
- Garantin täcker alla fel på produkten under garantitiden som beror på fel i utförande eller material vid inköpsdatumet. Garantin är begränsad till reparation och/eller utbyte och inkluderar inte några andra åtaganden, inklusive men inte begränsat till oförutsedda skador eller följdskador. Garantin gäller inte om produkten har använts på fel sätt, använts på ett sätt som inte följer användarhandboken eller som har anslutits på ett felaktigt sätt. Denna garanti gäller inte för:
 - skador på produkten som beror på felaktigt underhåll
 - om produkten har ändrats eller modifierats
 - en produkt där den ursprungliga identifieringen (varumärke, serienummer) har förstörts, ändrats eller tagits bort
 - skador som orsakas av att användarhandboken inte har följts
 - alla produkter som inte följer CE-bestämmelser
 - en produkt som en icke-kvalificerad yrkesperson eller en person som inte har behörighet från Technronic Industries har försökt att reparera
 - en produkt som ansluts till eluttaget (ampere, spänning, frekvens) på fel sätt
 - en produkt som används med olämplig bränsleblandning (bränsle, olja, procent av olja)
 - skador som orsakas av yttre påverkan (kemiska, fysikaliska, stötar) eller främmande ämnen
 - normalt slitage av reservdelar
 - felaktig användning, överbelastning av verktyget
 - användning av icke-godkända tillbehör eller delar
 - förgasare efter 6 månader, justering av förgasare efter 6 månader
 - komponenter (delar och tillbehör) med förbehåll för normalt slitage, inklusive men inte begränsat till stötknappar, drivremmar, koppling, blad av häcksaxar eller gräsklippare, sele, kabelhållare, kolborstar, nätkabel, pinnar, filtbrickor, hitchkopplingar, blåsfåktar, fläkt- och vakuumpör, vakuumpåska och remmar, ledskenor, sågkedjor, slangar, anslutningar, sprutmunstycken, hjul, sprayanordningar, inre spolar, yttre spolar, skärande linjer, tändstift, luftfilter, gasfilter, marktäckningsblad, osv.
- För service, måste produkten skickas eller presenteras till en RYOBI-godkänd servicestation som anges för varje land i följande lista med adresser. I vissa länder ombesörjer den lokala RYOBI-återförsäljaren att skicka produkten till RYOBI-serviceorganisationen. När en produkt skickas till en RYOBI-servicestation, ska produkten förpackas på ett säkert sätt utan farligt innehåll som bensin, märkt med avsändarens adress tillsammans med en kort som beskriver felet.
- En reparation/utbyte som sker under denna garanti är gratis. Den utgör inte en förlängning eller en ny start på garantitiden. Utbyts delar eller verktyg blir vår egendom. I vissa länder måste leveranskostnader eller porto betalas av avsändaren.
- Denna garanti gäller i EU, Schweiz, Island, Norge, Liechtenstein, Turkiet och Ryssland. Utanför dessa områden ska du kontakta din auktoriserade RYOBI-återförsäljare för att avgöra om en annan garanti gäller.

AUKTORISERAT SERVICECENTER

Du hittar närmaste auktoriserade servicecenter genom att gå till <http://uk.ryobitools.eu/header/service-and-support/service-agents>.

FI TAKUU

Hankinnasta kuitioivien laillisten oikeuksien lisäksi tätä tuotetta hallitsee alla kuvattu takuu.

- Takuukausi on 24 kuukautta kuluttajille ja alkaa tuotteen ostopäivästä. Tämän päivän on oltava merkitty kuittiin tai muuhun todisteseen hankinnasta. Tämä tuote on suunniteltu ja tarkoitettu ainoastaan kuluttajien yksityiskäyttöön. Ammatti- ja kaupalliseen käyttöön ei näin ollen ole takuuta.
- Joissain tapauksissa (kuten tarjous, laitesarjat) takuukautta voidaan pidentää kuvattua kautta pidemmäksi rekisteröimällä tuote osoitteessa www.ryobitools.eu. Takuun pidentymismahdollisuus ilmoitetaan selkeästi kaupassa jätät pakkaussessa. Loppukäyttäjän on rekisteröitävä uusi laitteensa online 8 päivän sisällä sen hankkimisesta. Loppukäyttäjän voi rekisteröityä saadakseen jatkuvan takuun asuinmaassaan, jos se mainitaan online-rekisteröintilomakkeessa. Lisäksi, loppukäyttäjän on annettava suostumuksensa tallentaa syötetyt tiedot online, ja hänen on hyväksyttävä ehdot. Sähköpostitse lähetettävä rekisteröintivahvistus ja alkuperäinen kuitti, josta ilmenee hankintapäivä, toimivat todistena takuun jatkamisesta. Lailliset oikeudet eivät muutu.
- Takuu kattaa takuuaikana kaikki tuotteen viat, jotka johtuvat valmistus- tai materiaaliavista hankintapäivänä. Takuu rajoittuu korjaukseen ja/ tai vaihtoon eikä sisällä mitään muita velvoitteita, mukaan lukien mm. satunnaiset ja seuraamukset vauriot. Takuu ei ole voimassa, jos tuotetta on väärinkäytetty tai käytetty käyttöoppaan vastaisesti tai se on kytketty virheellisesti. Takuu ei kata seuraavia:
 - tuotteelle koituneet vahingot, jotka johtuvat virheellisestä ylläpidosta
 - tuote, jota on muunneltu
 - tuote, jossa alkuperäiset tunnisteet (tavaramerkki, sarjanumero) ovat turmeltuneet tai niitä on muutettu tai ne on poistettu
 - käyttöoppaan laiminlyönnistä johtuvat vauriot
 - ei-EC-tuotteet
 - tuotteet, jotka on yrittänyt korjata ei-pätevä asentaja tai jonka korjaukselle ei ole saatu Technronic Industriesiltä hyväksyntää etukäteen
 - tuotteet, jotka on kytketty vääranlaiseen virtalähteeseen (virta, jännite, taajuus)
 - tuote, jossa on käytetty virheellistä polttoaineseosta (polttoaine, öljy, öhlyn osuus)
 - vauriot, jotka johtuvat ulkoisista syistä (kemikaalit, fyysiset tekijät, iskut) tai vieraista aineista
 - normaali varaosien kuluminen
 - virheellinen käyttö, laitteen ylikuormitus
 - muiden kuin hyväksytyjen lisävarusteiden ja osien käyttö
 - kaasutin 6 kuukauden jälkeen, kaasuttimen säätö 6 kuukauden jälkeen
 - komponentit (osat ja lisävarusteet), joihin kohdistuu luonnollista kulumista, mukaan lukien mm. napautusnupit, vetohihnat, kytin, pensastrimmeriden ja ruohonleikkurien terät, valjaat, kaapelikaasutin, hiilijarhat, virtajohto, piikit, huopavälilevyt, sokat, puhallimet, puhallin- ja imuputket, polynimurin pussit ja hihnat, terälevyt, teräketjut, letkut, liittimet, suuttimet, pyörät, suihkuputket, sisäkelat, ulkoiset kelat, leikkusuimat, syytystulpat, ilmansuodattimet, polttoainesuodattimet, silppuriterät jne.
- Huollon saaminen edellyttää, että tämä tuote lähetetään tai vietään RYOBI:n valtuuttamaan huoltoon, jotka luetaan maittain seuraavassa huoltojen osoiteluettelossa. Joissain maissa paikallinen RYOBI-jälleenmyyjä hoitaa tuotteen lähettämisen RYOBI-huoltoon. Kun tuote lähetetään RYOBI-huoltoon, se on pakattava turvallisesti ilman mitään vaarallista sisältöä, kuten bensiniä, siihen on merkittävä lähettäjän osoite ja sen mukana on lähetettävä vian kuvaus.
- Tämän takuun puitteissa tapahtuva korjaaminen/vaihto on ilmaista. Se ei merkitse takuujakson jatkamista tai uuden kauden alkua. Vaihdetuista osista ja laitteista tulee meidän omaisuuttamme. Joissain maissa lähettäjän on maksettava toimituskulut tai postimaksu.
- Tämä takuu on voimassa Euroopan Yhteisössä, Sveitsissä, Islannissa, Norjassa, Liechtensteinissa, Turkissa ja Venäjällä. Jos olet näiden alueiden ulkopuolella, ota yhteys valtuutettuun RYOBI-jälleenmyyjään, joka voi kertoa, onko joku muu takuu voimassa.

VALTUUTETTU HUOLTO

Valtuutettua huoltoa lähimmän valtuutetun huollon sivulta <http://fi.ryobitools.eu/header/service-and-support/service-agents>.

NO GARANTI

I tillegg til enhver lovbestemt rettighet som følge av dette kjøpet er dette produktet dekket av en garanti som beskrevet nedenfor.

- Garantitiden er 24 måneder for forbrukere, og starter på produktets kjøpsdato. Denne datoen må dokumenteres av faktura eller annet kjøpsbevis. Produktet er konstruert og beregnet på forbrukere og kun privat bruk. Det gis ingen garanti ved profesjonell eller kommersiell bruk.
- Det er, i noen tilfeller, (dvs. markedsføring, serie av verktøy), mulig å utvide garantitiden ut over den perioden som er nevnt ovenfor ved bruk av registrering på nettstedet www.ryobitools.eu/Verktoys/garantiberegtigelse vises klart i butikkene og/eller på emballasjen. Sluttbruker må registrere sitt nylig innkjøpte verktøy på nettet innen 8 dager etter kjøpsdatoen. Sluttbruker kan registrere seg for utvidet garanti i det landet hvor vedkommende bor hvis dette landet er ført opp på nettregistreringsskjemaet hvor dette alternativet er gyldig. Sluttbruker må også gi sin tillatelse til lagring av de data som er påkrevet å registrere på nettet, og må akseptere vilkår og betingelser. Registreringsbekrefnelsen, som sendes som epost, og den originale kvitteringen som viser kjøpsdatoen, vil gjelde som bevis på den utvidede garantien. Dine lovbestemte rettigheter vil fortsatt gjelde.
- Garantien gjelder alle defekter på produktet i garantitiden som følge av feil på arbeid eller materialer på kjøpsdatoen. Garantien er begrenset til reparasjon og/eller utskifting av produktet, og inkluderer ingen annen forpliktelse, inklusive men ikke begrenset til tilfældige eller direkte eller indirekte følgeskader. Garantien gjelder ikke dersom produktet er misbrukt, brukt i strid med brukermanualens instruksjoner eller vært feilaktig tilkoblet. Denne garantien gjelder ikke:
 - enhver skade på produktet som følge av utilstrekkelig vedlikehold
 - et produkt som er endret eller modifisert
 - ethvert produkt hvor original identifikasjonsmerke (varemerke, serienummer) er tildekket, endret eller fjernet
 - enhver skade som følge av at instruksjoner i brukermanualen ikke er fulgt
 - ethvert ikke-CE-produkt
 - ethvert produkt som er forsøkt reparert av en ukvalifisert person, eller uten forutgående tillatelse av Techtron Industries
 - ethvert produkt som er tilkoblet uriktig strømkilde (ampere, spenning, frekvens)
 - ethvert produkt som er brukt med feil drivstoffblanding (drivstoff, olje, prosentvis andel olje)
 - enhver skade forårsaket av eksterne påvirkninger (kjemiske, fysiske eller slag) eller fremmede substanser
 - normal slitasje på reservedeler
 - feilaktig bruk, overbelastning av verktøyet
 - bruk av ikke godkjent tilbehør eller reservedeler
 - forgasser etter 6 måneder, forgasserjusteringer etter 6 måneder
 - komponenter (deler og tilbehør) gjenstand for naturlig slitasje, inklusive men ikke begrenset til dunkeknotter, drivreimer, clutch, kniver på hekklippere eller gressklippere, seler, gasswire, karbonborster, elektriske ledninger, tenner, filtpakninger, skaftpinner, blåseviser, blåse- og sugeslangar, oppsamlingsposer, motorsagsverd, sagkjeder, slanger, tilkoblingsdeler, sprøytedyser, hjul, sprøytestaver, innvendige ruller, utvendige spoler, klippesnorer, tennplugg, luftfiltere, gassfiltere, oppkappingsblader, etc.
- For ettersyn og reparasjoner må produktet leveres til et RYOBI-autorisert servicesenter ført opp for det enkelte land i følgende liste av servicesidasadresser. I noen land vil din lokale RYOBI-forhandler sørge for å sende produktet til RYOBI's serviceorganisasjon. Når et produkt sendes til en RYOBI servicesidasjon må produktet være forsvarlig emballert uten farlig innhold som bensin, merket med senders navn og adresse og medsendt en kort beskrivelse av feilen.
- En reparasjon/utskifting i henhold til denne garantien er gratis. Den representerer ikke en forlengelse av garantiperioden eller en ny start på garantiperioden. Utskiftede deler eller verktøy blir vår eiendom. I noen land vil leveringskostnader eller porto måtte betales av sender.
- Denne garantien er gyldig i EU, Sveits, Island, Norge, Liechtenstein, Tyrkia og Russland. Utenfor disse områdene ber vi om at du kontakter en autorisert RYOBI-forhandler for å finne ut om en annen garanti gjelder.

AUTORISERT SERVICESENTER

For å finne et autorisert servicesenter i nærheten, gå til <http://no.ryobitools.eu/header/service-and-support/service-agents>.

RU ГАРАНТИЯ

В дополнение к законным правам, вытекающим из факта покупки, на данный продукт распространяются следующие гарантийные обязательства.

- Гарантийный период составляет 24 месяца для покупателей и начинается с даты приобретения продукта. Дата приобретения подтверждается документально товарным чеком или другим доказательством покупки. Данный продукт предназначен для использования только в личных целях. Гарантия не предоставляется в случае профессионального или коммерческого использования данного продукта.
- В некоторых случаях (например, при продвижении продукта, приобретении некоторых видов инструментов) возможно продление гарантийного срока при регистрации продукта на веб-сайте www.ryobitools.eu. Применительно продукта разъясняется в магазинах при продаже и/или на упаковке продукта. Конечному пользователю следует зарегистрировать вновь приобретенный инструмент через Интернет в течение 8 дней с даты покупки. Конечный пользователь может зарегистрировать продукт для получения расширенной гарантии в стране проживания, если данная возможность предоставляется интернет-формой регистрации. Также, конечный пользователь должен дать свое согласие на хранение данных, требуемых при заполнении формы через Интернет, и принять условия соглашения. Уведомление о подтверждении регистрации, отправляемое по электронной почте, и оригинальный товарный чек с датой покупки служат доказательством расширенной гарантии. Законные права потребителя при этом остаются в силе.
- Данная гарантия распространяется на все дефекты продукта, связанные с производственным браком или браком материалов в момент приобретения, в течение гарантийного периода. Данная гарантия ограничивается ремонтом и/или заменой и не включает другие обязательства, в том числе, связанные с побочным или косвенным ущербом. Гарантия недействительна в случае ненадлежащего использования, использования с нарушением инструкций руководства по эксплуатации или неправильного подключения продукта. Гарантия недействительна, если:
 - повреждение продукта вызвано ненадлежащим техническим обслуживанием
 - продукт подвергся изменениям или был модифицирован
 - оригинальная маркировка (товарный знак, заводской номер) неудобочитаема, изменена или удалена
 - повреждение вызвано несоблюдением инструкций данного руководства
 - отсутствует маркировка CE
 - была попытка отремонтировать продукт неквалифицированным лицом или без предварительного согласования с компанией Techtron Industries
 - продукт подключался к ненадлежащему источнику питания (ненадлежащая сила тока, напряжение, частота)
 - продукт использовался с недопустимой топливной смесью (топливо, масло, процент содержания масла)
 - повреждение вызвано внешним воздействием (химические, физические, удары) или посторонними веществами
 - это связано с нормальным износом заменяемых деталей
 - это связано с ненадлежащим использованием, перегрузкой инструмента
 - это связано с использованием нереккомендованных принадлежностей или деталей
 - карбюратор использовался свыше 6 месяцев, регулировка карбюратора после 6 месяцев
 - компоненты (детали и принадлежности) подверженные естественному износу, в том числе, колпачки, приводные ремни, муфта, режущие полотна шпалерных ножиц или газонокосилок, крепежные ремни, тросик дроссельной заслонки, угольные щетки, кабель питания, фрезы, фетровые прокладки, шпильки, крыльчатки, выпускные и всасывающие трубки, мешок для мусора и решетки, пыльные шины, пыльные щели, шланги, соединительные фитинги, распылительные насадки, колеса, распылители, внутренние бобины, внешние бобины, режущие струны, свечи зажигания, воздушные фильтры, газовые фильтры, механизмы для мульчирования и т.п.
- Для проведения технического обслуживания продукт следует представить в официальный центр технического обслуживания компании RYOBI в соответствии со списком по каждой стране. В некоторых странах дилерам компании RYOBI требуется пересылка продукта в соответствующий сервисный центр компании RYOBI. При отправке продукта в центр технического обслуживания RYOBI, продукт следует упаковать надлежащим образом без содержания любых опасных веществ (таких как бензин) с указанием адреса отправителя и кратким описанием неисправности.
- Ремонт/замена продукта по условиям данной гарантии осуществляются бесплатно. В данном случае не предусмотрено продление срока гарантии или начало нового гарантийного периода. Заменяемые детали или инструмент становятся собственностью компании. В некоторых странах оплата доставки и почтовые расходы ложатся на отправителя.
- Данная гарантия действительна в странах ЕС, Швейцарии, Исландии, Норвегии, Лихтенштейне, Турции и России. Для получения информации о применении данной гарантии в других регионах обращайтесь к официальному дилеру компании RYOBI.

УПОЛНОМОЧЕННЫЙ СЕРВИСНЫЙ ЦЕНТР

Чтобы найти ближайший уполномоченный сервисный центр, обратитесь к веб-сайту <http://uk.ryobitools.eu/header/service-and-support/service-agents>.

PL GWARANCJA

Oprócz wszelkich praw ustawowych wynikających z zakupu, ten produkt jest objęty gwarancją jak podano poniżej.

- Okres gwarancji wynosi 24 miesiące dla konsumentów i rozpoczyna się w dniu, w którym produkt został zakupiony. Ta data musi być udokumentowana przez fakturę lub inny dowód zakupu. Produkt został zaprojektowany i jest przeznaczony wyłącznie do użytku konsumenckiego i prywatnego. W związku z tym gwarancja nie jest udzielana w przypadku zastosowań profesjonalnych i komercyjnych.
- Nie ma, w niektórych przypadkach (promocja tj. zakres narzędzi), możliwość przedłużenia okresu gwarancji w okresie opisanym powyżej przy rejestracji na stronie internetowej www.ryobitools.eu. Kwalifikowalność narzędzia jest wyraźnie określona w sklepaczu oraz/lub na opakowaniu. Użytkownik końcowy musi zarejestrować swoje nowe zakupione narzędzia online w ciągu 8 dni od daty zakupu. Użytkownik końcowy może zarejestrować się w celu rozszerzenia gwarancji w swoim kraju zamieszkania, jeśli jest on wymieniony w formularzu rejestracji online, kiedy ta opcja jest ważna. Ponadto użytkownicy końcowi muszą wyrazić zgodę na przechowywanie danych, które są wymagane do zalogowania online oraz muszą zaakceptować regulamin. Otrzymanie potwierdzenia rejestracji, które jest wysyłane na adres e-mail oraz oryginalna faktura z podaną datą zakupu będą służyć jako dowód przedłużonej gwarancji. Twoje prawa ustawowe pozostają nienaruszone.
- Gwarancja obejmuje wszystkie wady produktu w okresie gwarancyjnym, spowodowane usterekami w wykonaniu lub materiale w chwili nabycia. Gwarancja jest ograniczona do naprawy oraz/lub wymiany i nie obejmuje żadnych innych obowiązków w tym m.in. odpowiedzialności za szkody przypadkowe lub wtórne. Gwarancja nie jest ważna, jeśli produkt był użytkowany w niewłaściwy sposób, był wykorzystywany w sposób niezgodny z instrukcją obsługi lub był nieprawidłowo podłączony. Ta gwarancja nie obejmuje:
 - uszkodzenia produktu, które jest wynikiem nieprawidłowej konserwacji
 - produktu, który został przerobiony lub zmodyfikowany
 - produktu, w którym zniekształcono, zmieniono lub usunęto oryginalne oznaczenia (nazwę handlową, numer seryjny)
 - uszkodzeń spowodowanych nieprzestrzeganiem instrukcji obsługi
 - produktu bez certyfikatu CE
 - produktu, który był naprawiany przez niewykwalifikowaną osobę lub bez uprzedniej autoryzacji firmy Techtronic Industries
 - produktu podłączonego do nieprawidłowego źródła zasilania (napięcie, napięcie, czystość)
 - produktu używanego z nieprawidłową mieszanką paliwa (paliwo, olej, zawartość procentowa oleju)
 - uszkodzeń spowodowanych przez czynniki zewnętrzne (chemiczne, fizyczne, uderzenia) lub obce substancje
 - normalnego zużycia części zamiennych
 - niewłaściwego użytkowania, przecięcia narzędzia
 - stosowania niezatwierdzonych akcesoriów lub części
 - gaźnika po 6 miesiącach, regulacji gaźnika po 6 miesiącach
 - elementów (części i akcesoriów) podlegających naturalnemu zużyciu, m.in. gałek odbojnikowych, pasów napędowych, sprężel, ostrej nożyc do żywoptłów lub kosiariek, uprząży, przepustnicy, szczołek węglowych, przewodu zasilającego, zębów, podkładek filcowych, sworznik zaczepu, wentylatorów dmuchawy, przewodów dmuchawy i podciśnieniowych, worków próżniowych i pasków, prowadnic, łańcuchów pilarki, przewodów, mocowań złączy, dyszy rozpylających, kółek, lancy rozpylających kat., dmuchawy, dmuchawy i rury próżniowe, torebki próżniowe i paski, prowadnice, bębnow wewnętrznych, szpulki zewnętrznych, żyłki tnącej, świec zapłonowych, filtrów powietrza, filtrów gazu, ostrej do ściółkowania itp.
- W celu serwisowania produktu należy wysłać lub okazać w autoryzowanym centrum serwisowym RYOBI wymienionym dla każdego kraju na poniższej liście adresów stacji serwisowych. W niektórych krajach lokalny dealer firmy RYOBI zobowiązuje się wysłać produkt do centrum serwisowego firmy RYOBI. W przypadku wysyłki produktu do centrum serwisowego RYOBI, produkt należy dobrze zapakować, bez umieszczenia żadnych niebezpiecznych rzeczy, tj. paliwa i oznaczyć adresem nadawcy oraz krótkim opisem usterek.
- Naprawa/wymiana w ramach tej gwarancji jest bezpłatna. Nie stanowi to przedłużenia lub nowego rozporządzenia okresu gwarancji. Wymieniane części lub narzędzia stają się naszą własnością. W niektórych krajach koszty wysyłki lub pocztowe będą musiały być opłacone przez nadawcę.
- Ta gwarancja obowiązuje na terytorium Wspólnoty Europejskiej, Szwajcarii, Islandii, Norwegii, Liechtenstein, Turcji i Rosji. Poza tymi obszarami należy skontaktować się z autoryzowanym dealerem RYOBI aby sprawdzić, czy dostępna jest jeszcze inna gwarancja.

AUTORYZOWANY PUNKT SERWISOWY

Najbliższy autoryzowany punkt serwisowy można wyszukać w witrynie internetowej <http://uk.ryobitools.eu/header/service-and-support/service-agents>.

CS ZÁRUKA

Navíc k zákonným právam, které vznikají nákupem, je k výrobku poskytována záruka.

- Záruka je období 24 měsíců pro spotřebitele a začíná běžet datem nákupu produktu. Toto datum musí být zadokumentováno fakturou nebo jiným důkazem o koupi. Tento výrobek je určen a vyhrazen jen pro domácí a soukromé používání. Záruka se tedy nepoužije pro profesionální ani komerční používání.
- Existuje, v některých případech (tj. propagace, určité nástroje), možnost prodloužení doby záruky nad výše uvedené období pomocí registrace na stránkách www.ryobitools.eu. Vhodnost nástroje je jasně vyobrazena v prodejních a/nebo na obalu. Koncový uživatel musí zaregistrovat své nově pořízené nástroje online během 8 dní od data nákupu. Koncový uživatel se může zaregistrovat k prodloužení doby záruky v zemi jeho trvalého bydliště, pokud je uvedeno v online registračním formuláři, kde je tato možnost platná. Navíc musí koncový uživatel poskytnout souhlas s uchováním údajů, které jsou zapotřebí do online registru a musí přijmout podmínky smlouvy. Přijetí potvrzení o registraci, odeslané e-mailem, a originální faktura udávající datum nákupu slouží jako důkaz prodloužené záruky. Vaše zákonná práva zůstávají nedotčena.
- Záruka pokrývá veškeré vady produktu během záruky způsobené vadami při zpracování nebo v materiálu v době nákupu. Záruka se omezuje na opravu a/nebo výměnu a nezahrnuje žádné jiné závazky včetně, ale ne omezené na související nebo následné škody. Záruka neplatí, pokud, pokud se produkt nesprávně používal, používal v rozporu s návodem nebo byl nesprávně zapojen. Záruka nelze uplatnit v následujících případech:
 - jakákoliv škoda na výrobku v důsledku nesprávné údržby
 - jakýkoliv výrobek byl pozměněn či modifikován
 - jakýkoliv výrobek, kde byly původní identifikační značky (obchodní značka, výrobní číslo) odstraněny, pozměněny či modifikovány
 - jakákoliv škoda způsobená nedodržováním návodu k obsluze
 - výrobek nemá značku CE
 - každý výrobek, kde došlo k pokusu jej opravit nekvalifikovanou osobou nebo bez předchozího souhlasu společnosti Techtronic Industries
 - každý výrobek byl připojen nesprávnému napájení (proud, napětí, frekvence)
 - každý výrobek, který se používal s nesprávnou palivovou směsí (palivo, olej, podíl oleje)
 - veškeré škody byly způsobeny externími vlivy (chemické, fyzické, nárazy) či cizími látkami
 - běžné opotřebení a spotřební náhradní díly
 - nevhodné používání, přetěžování nástroje
 - použití nesvhálených doplňků nebo dílů
 - karburátor po 6 měsících, seřízení karburátoru po 6 měsících
 - komponenty (díly a doplňky) podléhající běžnému opotřebení, včetně, ale ne omezené, nárazových tlačítek, hnacích řemenů, spojky, nožů plotostříhu či sekaček trávy, postroje, lanka škrtící klapky, uhlíkových kartáčů, napájecího kabelu, plechů, plstěných podložek, závlaček, ventilátorů fukaru, hadic fukaru a vysavače, vaku vysavače a popruhu, vodičích lišt, pilových řetězů, hadic, spojovacích tvarovek, rozprašovačích trysek, kol, střikací trubice, vnitřních, vnějších cívek, sekacích strun, zapalovačích svíček, vzduchových filtrů, spalňových filtrů, umíčovacích nožů atd.
- Pro servis výrobku je třeba zaslat nebo předložit pověřenému servisnímu středisku RYOBI dle seznamu adres servisních středisek. V některých zemích váš místní prodejce RYOBI provádí odeslání výrobku servisní organizaci RYOBI. Při zasílání výrobku servisnímu středisku RYOBI by se měl výrobek bezpečně zabalit bez nebezpečného obsahu jako benzin, označit adresu odesílatele a přiložit list krátkým popisem vady.
- Oprava/výměna během záruky je bezplatná. Neznamená prodloužení ani začátek nového záručního období. Vyměněné díly či nástroje se stávají naším vlastnictvím. V některých zemích doručení či poštovné platí odesílatelem.
- Záruka je platná v Evropské unii, Švýcarsku, Islandu, Norsku, Lichtenštejnsku, Turecku a Rusku. U ostatních oblastí prosím kontaktujte pověřeného prodejce RYOBI pro upřesnění, zda platí jiná záruka.

POVĚŘENÉ SERVISNÍ STŘEDISKO

Pro nalezání nejbližšího pověřeného servisního střediska navštivte <http://uk.ryobitools.eu/header/service-and-support/service-agents>.

HU GARANCIA

A vásárlással összefüggő esetleges törvény adta jogok mellett a termékre az alábbiakban részletezett garancia vonatkozik.

1. A garancia időtartama a fogyasztók számára 24 hónap, ami a termék megvásárlásának napjától számítódik. Ezt a dátumot számlával vagy a vásárlást igazoló más dokumentummal kell igazolni. A terméket kizárólag a vevő által, személyes célokra való használatra tervezték és készítették. Ezért a garancia nem vonatkozik a profik általi vagy üzleti célokra való használatra.
2. Egyes esetekben (pl. promóció, bizonyos termékcsaládok) lehetőség van a garancia időtartamának a fent leírt garanciaperióduson túli meghosszabbítására a www.ryobitools.eu webhelyen történő regisztrációval. Az, hogy egy adott gép jogosult-e erre, egyértelműen fel van tüntetve a boltokban és/vagy a csomagoláson. A végfelhasználónak a vásárlás napjától számított 8 napon belül regisztrálnia kell az újonnan beszerzett gépet. A végfelhasználó a kiterjesztett garanciáért a lakóhelye szerinti országban regisztrálhat, ha az szerepel az online regisztrációs űrlapon. Emellett a végfelhasználónak hozzá kell járulnia az online belépéshez szükséges adatai tárolásához és el kell fogadnia a szerződési feltételeket. A regisztráció e-mailedben küldött visszaigazolása, valamint a vásárlást igazoló eredeti számla szolgálkan a kiterjesztett garancia érvényesítésére. A törvény adta jogai nem sérülnek.
3. A garancia a garancia időtartama alatt a termék összes olyan hibájára kiterjed, amelyek a vásárlás napján is fennálló gyártási vagy anyaghiba miatt következnek be. A garancia javításra és/vagy cserére korlátozódik, és nem tartalmaz további kötelezettséget, beleértve, de nem kizárólag a véletlenszerű vagy következetes károkra vonatkozó kötelezettségeket sem. A garancia nem érvényes a termék helytelen használatra, a használati utasításban leírtakkal ellentétes használatra vagy hibás csatlakoztatása esetén. A garancia nem vonatkozik a következőkre:
 - a termék helytelen karbantartásból eredő esetleges károsodásokra
 - átalakított vagy módosított termékekre
 - olyan termékre, melyen az eredeti azonosító jelöléseket (védjegy, sorozatszám) megrongálták, átalakították vagy eltávolították
 - a használati utasítás be nem tartásával összefüggő károkra
 - a CE minősítéssel nem rendelkező termékre
 - a nem képzett szakember által vagy a Technronic Industries előzetes jóváhagyása nélküli javított termékre
 - a nem megfelelő tápforrásokhoz (áramerősség, feszültség, frekvencia) csatlakoztatott termékre
 - a nem megfelelő üzemanyag-keverékkel (üzemanyag, olaj, olajárány) használt termékre
 - külső hatások (vegyi, fizikai, ütés) vagy idegen anyagok által okozott károsodásokra
 - a cserealkatrészek normál kopására és elhasználódására
 - helytelen használatra, a szerszám túlterhelésére
 - nem jóváhagyott tartozékok vagy alkatrészek használatára
 - a karburátorra 6 hónap elteltével, a karburátor beállításaira 6 hónap elteltével
 - Természetes elhasználódásnak és kopásnak kitett összetevőkre (alkatrészek és tartozékok), beleértve de nem kizárólag az ütközőgombokra, hajtószíjakra, tengelykapcsolóra, sóvényvágó vagy fűnyíró kecséire, vezetékkecsékre, gázkábelekre, szénkefékre, tápkábelekre, kapákra, nemez alátétkarikákra, sasszegekre, fűvágó ventilátoraira, fűvő és vákuumszivők, fűvőszálókra és szíjakra, lánccvetőkre, fűrészlánccokra, tömlőkre, csatlakozókra, szűrőfejekre, kerekkekre, lánzdákra, belső orsókra, külső orsókra, vágószálakra, gyújtógyertyákra, légszivők, üzemanyagszivők, tömörítő kapákra stb.
4. A szervizeléshez a terméket el kell küldeni vagy be kell mutatni valamelyik hivatalos RYOBI szervizközpontban, melyek elérhetősége az egyes országokban az alábbiakban van megadva. Egyes országokban a RYOBI kereskedő vállalja, hogy elküldi a terméket a RYOBI szervizbe. A terméknek a RYOBI szervizlátnak való küldésekor a termék biztonságosan be kell csomagolni, mindenféle veszélyes anyagot, pl. üzemanyagot el kell távolítani belőle, meg kell adni a feladó címét és a hiba rövid leírását.
5. A garancia keretében végzett javítás/cseréje ingyenes. Ugyanakkor ez nem jelenti a garancia időtartamának kiterjesztését vagy új garanciaperiódus kezdetét. A kicserélt alkatrészek vagy szerszámok a mi tulajdonunkban maradnak. Egyes országokban a szállítási vagy a postaköltségeket a feladó fizeti.
6. Ez a garancia az Európai Közösségekben, Svájcban, Izlandon, Norvégiában, Liechtensteinben, Törökországban és Oroszországban érvényes. Ezen területeken kívül az érvényes garancia-feltételeket illetően lépjen kapcsolatba a hivatalos RYOBI forgalmazóval.

HIVATALOS SZERVIZKÖZPONT

A legközelebbi hivatalos szervizközpont megtalálásához látogasson el a <http://uk.ryobitools.eu/header/service-and-support/service-agents>.

RO GARANȚIE

În plus față de alte drepturi statutare rezultând din achiziție, produsul este acoperit de o garanție ca cea menționată mai jos.

1. Perioada de garanție este de 24 de luni pentru consumatorii și începe de la data la care produsul a fost achiziționat. Această dată trebuie să fie dovedită de o factură sau altă dovadă de cumpărare. Produsul este proiectat și dedicat pentru consumator și doar pentru uz privat. Ca urmare nu există nicio garanție asigurată în caz de folosire profesională sau comercială.
2. Există, în anumite cazuri (de ex. promoții, game de produse) o posibilitate de a prelungi perioada de garanție peste perioada descrisă mai sus folosind înregistrarea pe site-ul www.ryobitools.eu. Eligibilitatea aparatului este afișată clar în magazine și/sau ambalaj. Utilizatorul final se poate înregistra pentru o garanție extinsă în țara sa de reședință dacă e listat pe formularul de înregistrare online acolo unde opțiunea este validă. Mai mult, utilizatorii finali trebuie să-și dea consimțământul cu privire la păstrarea datelor ce sunt cerute a fi introduse online și trebuie să accepte termenii și condițiile. Notificarea de confirmare a înregistrării, ce este trimisă prin email, și factura originală ce arată data achiziționării vor servi ca dovadă a garanției extinse. Drepturile dvs statutare rămând neafectate.
3. Garanția acoperă toate defectele produsului în timpul perioadei de garanție cauzate de defecte din procesul de producție sau ale materialului la data achiziționării. Garanția este limitată la reparație și/sau înlocuire și nu include alte obligații incluzând dar nelimitându-se la pagube incidentale sau secundare. Garanția nu este validă dacă produsul a fost folosit greșit, folosit contrar instrucțiunilor din manual sau a fost conectat incorect. Această garanție nu se aplică la:
 - orice defecțiune a produsului ca rezultat a întreținerii necorespunzătoare
 - orice produs ce a fost schimbat sau modificat
 - orice produs unde marcajul original de identificare (marcă comercială, număr serie) a fost deteriorat, schimbat sau modificat
 - orice defecțiune cauzată de nerespectarea manualului de instrucțiuni
 - orice produs non CE
 - orice produs care a fost încercat să fie reparat de către o persoană necalificată sau fără autorizare în prealabil de către Technronic Industries
 - orice produs conectat necorespunzător la sursa de curent (amperi, voltaj, frecvență)
 - orice produs folosit cu amestec necorespunzător de combustibil (combustibil, ulei, procentaj de ulei)
 - orice defecțiune cauzată de influențe externe (chimice, fizice, șocuri) sau substanțe străine
 - uzura normală a pieselor de schimb
 - folosire necorespunzătoare, suprasolicitare a sculei
 - folosire de accesorii și părți neaprobate
 - carburator după 6 luni, reglări ale carburatorului după 6 luni
 - componente (părți și accesorii) subiect a uzurii naturale, incluzând dar nelimitându-se la butoane rotative, curele de distribuție, ambreiaj, lame ale aparatelor de bordurat și tuns iarba, hamuri, cabluri de accelerație, perii de carbon, cabluri electrice, dinți ale furcii, șaibe de păsli, ventilatoare și tuburi de absorbție, sac vacuum și chingi, bare de ghidare, ferăstraie cu lanț, furture, fitinguri de conectare, vergele de pulverizat, duze de pulverizat, roți, vergele de pulverizat, bobine interioare, bobine exterioare, fire pentru tăiat, buji, filtre de aer, filtre de gaz, lame protectoare, etc
4. Pentru service, produsul trebuie să fie trimis sau prezentat la un punct service RYOBI autorizat listat pentru fiecare țară în următoarea listă cu adrese ale punctelor service. În anumite țări reprezentantul dvs local RYOBI se angajează să trimită produsul la un punct de service RYOBI. Atunci când se trimite un produs la un punct service RYOBI, produsul trebuie să fie împachetat cu grijă fără a conține produse periculoase precum benzină, marcat cu adresa expeditorului și însoțit de o scurtă descriere a defecțiunii.
5. Repararea/inlocuirea în timpul garanției este fără niciun cost. Nu constituie o prelungire sau un nou început a perioadei de garanție. Părțile sau aparatele schimbate devin proprietatea noastră. În anumite țări taxele de expediere trebuie să fie plătite de către expeditor.
6. Garanția este valabilă în Uniunea Europeană, Elveția, Islanda, Norvegia, Liechtenstein, Turcia și Rusia. În afara acestor zone, vă rugăm contactați reprezentantul dvs local autorizat RYOBI pentru a determina dacă se aplică altă garanție.

CENTRU DE SERVICE AUTORIZAT

Pentru a găsi un centru de service autorizat lângă dvs., vizitați <http://uk.ryobitools.eu/header/service-and-support/service-agents>.

LV GARANTĪJA

Papildus visām likumā paredzētajām tiesībām saistībā ar iegādi šim izstrādājumam ir turpinājuma izklāstīta garantija.

1. Garantijas periods patērētājiem ir 24 mēneši, un tas sākas izstrādājuma iegādes dienā. Šim datumam ir jābūt dokumentētām rēķinā vai citā iegādi apliecinošā dokumentā. Šis izstrādājums ir izgatavots un paredzēts vienīgi patērētājam un privātai lietošanai. Profesionālais vai komerciālais lietošanas gadījumā garantija nav spēkā.
2. Atsevišķos gadījumos (piem., akcija, vairāki instrumenti) pastāv iespēja pagarināt garantijas periodu virs seīti minētā perioda, reģistrējot to www.ryobitools.eu vietnē. Instrumenta pielietojums ir skaidri norādīts veikalos un/vai uz iepakojuma. Lietotājiem ir jāreģistrē savj jauniegūtie instrumenti tiešsaistē 8 dienu laikā no iegādes datuma. Lietotājs var reģistrēties pagarinātajai garantijai savā dzīvesvietas valstī, ja tā ir norādīta tiešsaistes reģistrācijas veidlapā, kur pieejama šī iespēja. Turklāt lietotājiem ir jāievada dati tiešsaistē, jādod piekrišana šo datu uzglabāšanai un jāpiekrīt noteikumiem. Saņemtais reģistrācijas apstiprinājums, kas izsūtīts pa e-pastu, un reģinātais, kurā redzams iegādes datums, ir pagarinātās garantijas pierādījums. Jūsu likumā paredzētās tiesības netiek ietekmētas.
3. Garantija attiecas uz visiem izstrādājuma bojājumiem, kas radušies garantijas perioda laikā iegādes dienā esošo izgatavošanas vai materiāla defektu dēļ. Garantija ir ierobežota līdz remontam un/vai nomaigai un neietver citus pienākumus, ieskaitot, bet neaprobežojoties ar nejausiem vai netiesiem zaudējumiem. Garantija nav spēkā, ja izstrādājums ir liets nepareizi vai neievērojot rokasgrāmatas norādījumus vai ticis nepareizi savienots. Garantija netiecas uz:
 - izstrādājuma bojājumiem, kas radušies nepareizas apkopes dēļ;
 - izstrādājumiem, kas tikusi pielāgoti vai pārveidoti;
 - izstrādājumiem, kuru oriģinālais identifikācijas marķējums (preču zīme, sērijas numurs) ticis sabojāts, pārveidots vai noņemts;
 - bojājumiem, kurus izraisījis rokasgrāmatas norādījumu neievērošana;
 - izstrādājumiem bez CE marķējuma;
 - izstrādājumiem, kurus ir mēģinājis remontēt nekvalificēts speciālists vai kuri remontēti bez Technonic Industries atļaujas;
 - izstrādājumiem, kas tikusi pievienoti neatbilstošai energopadevei (apmēri, spriegums, frekvence);
 - izstrādājumiem, kuros izmantots nepareizs degvielas maisījums (degviela, eļļa, eļļas daudzums);
 - bojājumiem, kurus izraisījis ārēja iedarbība (ķīmiska, fiziska, triecieni) vai svešas vielas;
 - nomaīlu detaļu nolietojumu un nodilumu;
 - instrumenta nepareizu lietošanu, pārslozdi;
 - neapstiprinātu detaļu un piederumu lietošanu;
 - karburatoru pēc 6 mēnešiem, karburatora regulējumiem pēc 6 mēnešiem;
 - komponentiem (detaļām un piederumiem), kas ir pakļauti dabiskam nodilumam un nolietojumam, ietverot, bet neaprobežojoties ar darbināšanas pogām, piedziņas siksnām, dzīvzoga trimeru un zāles plāvēju asmeņiem, plecu turētāju, kabeļa droseli, ogļekļa sukām, elektrības vadu, tapām, filca starplikām, sakabes tapām, pūteja ventilatoriem, pūteja un vakuuma caurulēm, vakuuma maisiem un lencēm, virzošajiem stieņiem, zāga ķēdēm, šļūtenēm, savienotāja stiprinājumiem, smidzināšanas sprauslām, riteņiem, smidzināšanas nūjām, iekšējiem ruļļiem, ārējām spolēm, griešanas auklām, aizdedzes svečēm, gaisa filtriem, gāzes filtriem, mulčēšanas asmeņiem u. c.;
4. Ja nepieciešams veikt remontu, izstrādājums jānosūta vai jānodod RYOBI pilnvarotam servisa centram, kas norādīts pie attiecīgās valsts servisa centru adresu sarakstā. Atsevišķs valstis vietējais RYOBI dīleris uzņemas nosūtīt izstrādājumu RYOBI servisa organizācijai. Nosūtot izstrādājumu RYOBI servisa centram, izstrādājuma jābūt droši iepakotam bez bīstama satura, piemēram, degvielas, marķētam ar sūtītāja adresi un kopā ar īsu aprakstu par defektu.
5. Remonts/nomaigā šīs garantijas ietvaros ir bez maksas. Tas nepagarina un neuzsāk jaunu garantijas periodu. Nomaīnātās detaļas un instrumenti nonāk mūsu īpašumā. Atsevišķs valstis piegādes maksa un pasta izdevumi jāsedz sūtītājam.
6. Šī garantija ir derīga Eiropas Kopienā, Šveicē, Islandē, Norvēģijā, Lihtenšteinā, Turcijā un Krievijā, Ārpus šiem reģioniem, lūdzu, sazinieties ar savu pilnvaroto RYOBI dīleri, lai noskaidrotu, vai ir spēkā cita garantija.

AUTORIZĒTS APKALPOŠANAS CENTRS

Lai atrastu tuvāko autorizēto apkalpošanas centru, apmeklējiet <http://uk.ryobitools.eu/header/service-and-support/service-agents>.

LT GARANTĪJA

Be įstatymais nustatyty teisių, įgyjamų nusipirkus šį produktą, produktui taikoma toliau nurodyta garantija.

1. Pirkėjams galiojantis garantinis periodas yra 24 mėnesiai ir prasideda nuo produkto pirkimo datos. Data turi būti nurodyta sąskaitoje-faktūroje arba kitame pirkimą įrodančiame dokumente. Produkta sukurtas ir skirtas tik naudotojui ir tik asmeniniam naudojimui. Todėl garantija netaikoma produktą naudojančiam profesionaliam ar komerciniam tikslams.
2. Kai kuriais atvejais yra galimybė pratęsti garantinį laikotarpį iki toliau nurodyto laikotarpio, prieš tai užsiregistruvus www.ryobitools.eu svetainėje. Įrankio tinkamumo aiškiai parodytas parduotuvėse ir (arba) ant pakuotės. Galutinis naudotojas turi užregistruoti savo naujai įsigytus įrankius internetu per 8 dienas nuo jų pirkimo datos. Galutinis naudotojas gali užsiregistruoti dėl garantijos pratęsimo savo šalyje, jei ši pateikta registracijos internetu formoje, kurioje galimas šis pasirinkimas. Be to, galutinai naudotojai privalo duoti savo sutikimą laikyti duomenis, kuriuos reikia įvesti internete, ir jie turi sutikti su sąlygomis ir nuostatomis. Registracijos patvirtinimo pranešimas, išsiunčiamas el. paštu, ir originali sąskaityta faktūra, kurioje nurodyta pirkimo data, įrodo pratęstą garantiją. Jūsų įstatymuose nustatyti teisės nebus pakenkti.
3. Garantiniu laikotarpiu garantija taikoma visiems produkto trūkumams, atsiradusiems dėl prastos darbo kokybės arba prastu produko medžiagų pirkimo dieną. Garantija taikoma tik taisymsui ir (arba) pakeltimui ir joje nenumatyti jokie kiti įsipareigojimai, įskaitant, bet neapsinbojanat atsilikline ar susijusia žala. Garantija negalioja produktą netinkamai naudojant, priešingai vadove nurodytoms instrukcijoms, arba netinkamai prijungus. Garantija netaikoma šiais atvejais:
 - produktui padaryti žalai netinkamai atliekamam produkto techninė priežiūra;
 - pakeistam arba modifikuotam produktui;
 - bet kokiems produktams, kurių originalios identifikacijos (prekės ženklas, serijos numeris) žymės buvo sugadintos, pakeistos ar pašalintos;
 - bet kokiai žalai, patirtai nesaikant naudojimo vadovo;
 - bet kokiame CE nepaženklintam produktui;
 - bet kokiame produktui, kurį bandė taisyti nekvalifikuotas specialistas, arba iš anksto negavus „Technonic Industries“ leidimo;
 - bet kokiame produktui, įjungtam į netinkamą maitinimo tinklą (amperai, įtampa, dažnis);
 - bet kokiame produktui, naudojamam su netinkamu degalų mišiniu (degalai, alyva, alyvos procentinis kiekis);
 - bet kokiai žalai, kilusiai dėl išorinio poveikio (cheminis, fizinis poveikis, smūgiai) arba pašaliniių medžiagų;
 - įprastam atsarginių dalių dėvėjimuisi;
 - produktą netinkamai naudojant arba jį perkrovus;
 - naudojant nepatvirtintus priedus arba dalis;
 - karbiuratoriu po 6 mėnesių, karbiuratoriaus reguliavimui po 6 mėnesių;
 - komponentams (daliims ir priedams), kurie dėvisi savaime, įskaitant, bet neapsinbojanat iškiliais mygtukais, diržinėmis pavakomis, sankaba, gyvatvorės žirklių arba vejos pjovimo mašinų asmeņimis, diržais, kabeļo droseliu, anglies šepetėliais, maitinimo laidu, virbams, veltinio poveržlėmis, traukimo kaiščiais, pūtimo ventilatoriais, pūstuvu ir siurblio vamzdžiais, siurblio maišeliu ir dirželiais, kreipiamaiais strypais, pjūklų grandinėmis, žarnelėmis, jungtimis, purkštukais, ratais, purškimo lazdelėmis, vidiniais suktaivais, išorinėmis ritėmis, mulktintuivais, uždegimo žvakėmis, oro filtrais, dujų filtrais, mulčiavimo asmeņimis ir t. t.;
4. Norint atlikti techninį aptarnavimą, produktą reikia nusiųsti arba pristatyti į vieną iš RYOBI įgaliotų techninio aptarnavimo punktų, esančių kiekvienoje šalyje toliau pateiktame aptarnavimo punktų adresų sąraše. Kai kuriose šalyse jūsų vietinis RYOBI pardavėjas gali nusiųsti produktą į RYOBI techninio aptarnavimo punktą. Siunčiant produktą į RYOBI techninio aptarnavimo punktą, produktą reikia saugiai supakuoti, prieš tai iš jo pašalinus pavojingas medžiagas, pavzdžiui, benzina, nurodyti siuntėjo adresą ir pridėti trumpą gedimo aprašymą.
5. Pagal šią garantiją taisymo ar keitimo darbai atliekami nemokamai. Garantijoje nenumatytas garantijos pratęsimas ar naujo garantinio laikotarpio pradėjimas. Pakeistos dalys arba įrankiai tampa mūsų nuosavybe. Kai kuriose šalyse pristatymo ar siuntimo paštu išlaidas turi padengti siuntėjas.
6. Ši garantija taikoma Europos bendrijoje, Šveicarijoje, Islandijoje, Norvegijoje, Lihtenšteinėje, Turkiijoje ir Rusijoje. Kitose šalyse kreipkitės į savo įgaliotą RYOBI pardavėją, norėdami sužinoti, ar taikoma kita garantija.

ĮGALIOTAS TECHINIS PRIEŽIŪROS CENTRAS

Jei norite surasti įgaliotą techninės priežiūros centrą netoli Jūsų, apsilankykite interneto svetainėje <http://uk.ryobitools.eu/header/service-and-support/service-agents>.

ET GARANTIID

Lisaks ostu puhul kaasnevate seadusjärgsete õiguste kehtib tootele allpool esitatud tingimustega garantiid.

- Ostja poolt ostetud tootele on kehtestatud garantiiperiood 24 kuud ja see hakkab kehtima toote ostmise kuupäeval. See kuupäev on märgitud arvele või muule ostu lõendavale dokumendile. Toode on ette nähtud ostjale ainult isiklikuks kasutamiseks. Kui toodet kasutatakse ametialast või ärilistel eesmärkidel, siis garantiid ei kehti.
- Mõnel juhul (nt reklaam, seadmete seeria) on võimalik pikendada garantiiperioodi pikemaks ajaks kui ülal mainitud, kui kasutatakse registreerimist veebisaidil www.ryobitools.eu kaudu. Registreerimise tingimused on välja pandud kauplustesse ja/või on pakendil. Lõppkasutaja peab oma uued tüüristad veebis registreerima 8 päeva jooksul alates ostukuupäevast. Lõppkasutaja võib registreerida end pikendatud garantiis oma asukohamaal, kui see on esitatud veebis registreerimise loendil, seal kus see vaik on olemas. Peale selle, lõppkasutajad peavad andma nõusoleku enda andmete salvestamiseks, mida vajatakse veebi sisenumiseks ja nõustuma esitatud tingimustega. Pikendatud garantiid kehtivust lõendab e-postiga saadetud registreerimise kinnitusteada, ja algupärane arve, millel on ostukuupäev. Teie seadusjärgsed õigused jäävad mõjutamata.
- Garantiid kehtib kõikide ostukuupäevast kehtima hakkaval garantiiperioodil ilmnenu rike suhtes, mis on tingitud töötlemis- või materjalivigadest. Garantiid on piiratud remondi ja/või asendamise ja ei sisalda muid kohustusi, kuid mitte ainult, kaasneva või tuleneva kahju eest. Garantiid ei kehti, kui toode on väärkasutatud, kasutusjuhendis nimetatud otstarbele mittevastavalt kasutatud või toode on ebaõigesti ühendatud. See garantiid ei rakendu järgmistel juhtudel:
 - tootel on mingi vigastus, mis on põhjustatud ebaõigest kasutamisest,
 - toodet on mingil viisil ümber ehitatud või muudetud,
 - toote algupärane tuvastusmarkering (kaubamärk, seerianumber) on kahjustatud, ümber tehtud või eemaldatud,
 - tootel on mingi vigastus, mis on tingitud kasutusjuhendi mittejälgimisest,
 - toode ei ole CE-märgisega,
 - toodet on püüdnud parandada ebaõiged spetsialist või seda on tehtud ilma Techtronic Industries volitusteta,
 - toode on ühendatud selleks mitteettnähtud elektritoitevõrguga (väär voolu tugevus, pinge või sagedus),
 - tootes on kasutatud mitteettnähtud kütusesegu (kütus, õli, väär õli vahetkord),
 - tootel on vigastus välistõmõjudest (keemilised või füüsilised mõjud või löögid),
 - toote varuosadel ilmneb tavapärane kulumine,
 - toodet on ebaõigesti kasutatud või üle koormatud,
 - tootel on kasutatud mitteettnähtud tarvikuid või osi,
 - toote karburaator pärast 6 kuu möödumist, toote karburaatori sätted pärast 6 kuu möödumist,
 - toote koostesadel (osad ja tarvikud) ilmneb tavapärane kulumine järgmistel detailidel (kuid mitte ainult): etteandenu, ajamirihmad, sidur, hekiõikuri või muruniiduki terad, rakmed, gaasitross, süsinikharjad, toitejuhe, piid, viitseibid, vedrutihvid, puhumisventilaatorid, puhuri ja imuri torud, imisüsteemi kotid ja ribad, juhtvardad, saeketid, voolikud, õhendusliitmikud, düüsid, rattad, pihustustorud, siseturmid, välispoolid, lõikeõhvid, süüteküünlad, õhufiltrid, gaasifiltrid, multšimisterad jne.
- Hooldamiseks tuleb toode saata või tuua mõnda RYOBI volitatud hoolduspunkti, mis on esitatud loendis iga riigi jaoks ja milles on hoolduspunkti aadressid. Mõnes riigis kohustub RYOBI edasimüüja saatma toote RYOBI hooldusasutusse. Kui toode saadetakse RYOBI hooldusasutusse, tuleb toode turvaliselt ära pakkida ilma, et sellesse jääks ohtlikku sisu, näiteks bensiin ja pakendile tuleb märkida saatja aadress ja riike lühikirjeldus.
- Selle garantiid alusel tehtud remont/asendus on tasuta. Sellega ei kaasne garantiiperioodi pikemine või uue garantiiperioodi algus. Asendatud osad ja tüüristad jäävad meie omandusse. Mõnes riigis tuleb saate- või postikulud tasuda saatja poolt.
- See garantiid kehtib Euroopa Liidus, Šveitsis, Islandil, Norras, Liechtensteinis, Türgis ja Venemaal. Väljaspool neid riike võtke ühendust Ryobi volitatud edasimüüjaga, et teada saada teistsuguste garantiid kehtivus.

VOLITATUD HOOLDUSKESKUS

Oma volitatud hoolduskeskuse leiate veebisaidil <http://uk.ryobitools.eu/header/service-and-support/service-agents>.

HR JAMSTVO

U dodatku svih zakonskih prava koja proizlaze kao rezultat kupnje, ova proizvod pokriven je jamstvom kao što je utvrđeno u nastavku.

- Jamstveno razdoblje je 24 mjeseca za korisnike, a započinje na datum kupnje proizvoda. Ovaj datum treba biti dokumentiran računom ili nekim drugim dokazom o kupnji. Proizvod je dizajniran i namijenjen samo za korisnike i osobno korištenje. Stoga nema omogućenog jamstava u slučaju profesionalnog ili komercijalnog korištenja.
- U nekim slučajevima (primjerice promocije, paleta alata) postoji mogućnost produženog jamstvenog razdoblja preko gore navedenog razdoblja korištenjem registracije na web mjestu www.ryobitools.eu. Sukladnost alata jesno je prikazana u trgovini ili na pakiranju. Krajnji korisnik treba registrirati svoje novo pribavljene alate na mreži unutar 8 dana od datuma kupnje. Krajnji korisnik može se registrirati za produženo trajanje jamstva u svojoj zemlji stanovanja ako je navedena na mrežnom obrascu za registraciju gdje je ova opcija valjana. Nadalje, krajnji korisnici moraju dati svoje odobrenje za spremanje podataka koji su potrebni za unos na mreži i moraju prihvatiti uvjete i odredbe. Primatku potvrde o registraciji, koja se šalje e-poštom i originalni račun koji prikazuje datum kupnje služe kao dokaz produženog jamstva. Vaša zakonska prava ostaju nepromijenjena.
- Jamstvo pokriva sve kvarove proizvoda tijekom jamstvenog razdoblja zbog pogreški u izradi ili materijalu na datum kupnje. Jamstvo je ograničeno na popravak ili zamjenu i ne uključuje nikakve druge obveze uključujući ne ograničavajući se na slučajne ili posljedične štete. Jamstvo nije valjano ako je proizvod pogrešno korišten, korišten suprotno od korisničkog priručnika ili je nepravilno priključen. Ovo jamstvo se ne primjenjuje na:
 - svako oštećenje proizvoda koje je rezultat nepravilnog održavanja
 - svaki proizvod koji je izmijenjen ili modificiran
 - svaki proizvod gdje su originalne identifikacijske oznake (zaštitni znak, serijski broj) izbrisane, zamijenjene ili uklonjene
 - svako oštećenje uzrokovano neprikladnim korištenjem priručnika
 - svaki proizvod koji nije CE
 - svaki proizvod koji je pokušao popraviti neovlašten profesionalac ili bez prethodnog odobrenja od strane Techtronic Industries
 - svaki proizvod priključen na nepravilno napajanje energijom (amperi, napon, frekvencija)
 - Svaki proizvod korišten s neodgovarajućom mješavinom (gorivo, ulje, postotak ulja)
 - svako oštećenje uzrokovano vanjskim utjecajima (kemijsko, fiziko, udar) ili stranim stvarima
 - normalno trošenje i habanje rezervnih dijelova
 - nepravilno korištenje, preopterećenje alata
 - korištenje neodobrenog dodatnog pribora ili dijelova
 - rasplinjača nakon 6 mjeseci, podešavanje rasplinjača nakon 6 mjeseci
 - komponente (dijelovi i dodatni pribor) koji su predmet prirodnog trošenja i habanja, uključujući ne ograničavajući se na gumbce za otpuštanje, pogonske remene, spojku, oštrice trimera za grmlje ili kosilicu, kope, sajle gasa, ugljene četke, kabele za napajanje, noževe, podloške, ztkice za zgubnu vezu, ventilatore puhalice, cijevi za ispuhivanje i usisavanje, vakuumske vrećice i trake, vodilice, lance pile, crijeva, priključene elemente, mlaznice za raspršivanje, kotače, kopljia za raspršivanje, unutartrajne kolute, vanjske kaleme, flaksove, svječice, filtre za zrak, filtre za plin, oštrice za usitnjavanje itd.
- Za servisiranje, proizvod se mora poslati ili predati ovlaštenoj stanici za servis tvrtke RYOBI navedenoj za svaku zemlju u sljedećem popisu adresa stanica za servis. U nekim zemljama vaša lokalni RYOBI zastupnik obavezan je poslati proizvod u servisnu organizaciju tvrtke RYOBI. Prilikom slanja proizvoda u stanicu za servis tvrtke RYOBI, proizvod treba biti sigurno pakiran bez ikakvog opasnog sadržaja poput benzina, s označenom adresom pošiljatelja i pripadajućim kratkim opisom pogreške.
- Popravak/zamjena pod ovim jamstvom se ne naplaćuje. Ne produžuje zakonsko ili ne započinje novo jamstveno razdoblje. Zamijenjeni dijelovi ili alati postaju naše vlasništvo. U nekim zemljama pošiljatelj plaća poštarinu.
- Ovo jamstvo je valjano u Europskoj zajednici, Švicarskoj, Islandu, Norveškoj, Litnjenštajnu, Turskoj i Rusiji. Izvan ovih područja molimo vas da kontaktirate vašeg ovlaštenog zastupnika RYOBI kako biste odredili ako se primjenjuje druga jamstva.

OVLAŠTENI SERVISNI CENTAR

Za pronalaženje ovlaštenog servisnog centra pored vas posjetite <http://uk.ryobitools.eu/header/service-and-support/service-agents>.

SL GARANCIJA

Poleg kakršnih koli zakonskih pravic, ki jih pridobite z nakupom, za ta izdelek velja tudi garancija, kot je opisano spodaj.

1. Garancijsko obdobje je 24 mesecev za potrošnike in se začne z datumom nakupa. Ta datum mora biti dokumentiran z računom ali drugim dokazilom o nakupu. Izdelek je namenjen in posevečen le potrošniški in zasebni uporabi. Zato garancija ne velja za profesionalno ali komercialno uporabo.
2. V nekaterih primerih (npr. promocija, obseg orodij) obstaja možnost podaljšanja garancijskega obdobja prek zgoraj opisanega obdobja, kar je mogoče storiti z registracijo na spletnem mestu www.ryobitools.eu. Namen orodja je jasno označen v trgovinah in/ali na embalaži. Končni uporabnik mora svoje novo orodje registrirati prek spleta v 8 dneh od datuma nakupa. Končni uporabnik se lahko registrira za podaljšano garancijo v svoji državi, kjer ima stalno prebivališče, če je država vključena na seznam v obrazcu za registracijo, kjer je ta možnost veljavna. Poleg tega mora končni uporabnik odobriti shranjevanje podatkov, ki so potrebni za spletni vstop, in morajo sprejeti pogoje in določila. Potrdilo o registraciji, ki se pošlje po e-pošti, ter originalni račun, na katerem je naveden datum nakupa, veljata kot dokazilo o podaljšani garanciji. Vaše zakonske pravice ostanejo nespremenjene.
3. Garancija krje vse okvare izdelka med garancijskim obdobjem zaradi napak v izdelavi ali materialu na datum nakupa. Garancija je omejena na popravilo/zamenjavo in ne vključuje drugih obveznosti, med drugim ne vključuje obveznosti zaradi nenamerne ali posledične škode. Garancija ni veljavna, če je bil izdelek zlorabljen, uporabljen v nasprotju z navodili za uporabo ali nepravilno priključen. Garancija ne velja:
 - za kakršno koli poškodbo izdelka, ki je posledica neprimernega vzdrževanja,
 - če je bil izdelek spremenjen ali modificiran,
 - če so originalne identifikacijske oznake (blagovna znamka, serijska številka) na izdelku poškodovane, spremenjene ali odstranjene,
 - če je do poškodbe prišlo zaradi neupoštevanja navodil za uporabo,
 - za katere koli izdelke, ki niso skladni z oznako CE,
 - če je izdelek poskusil opraviti neusposobljen strokovnjak ali brez predhodne odobritve družbe Techtronic Industries,
 - če je bil izdelek priključen na neustrezno električno omrežje (jakost, napetost, frekvenca),
 - če je bil izdelek uporabljen z neustrezno mešanico goriva (gorivo, olje, odstotek olja),
 - če je do poškodbe prišlo zaradi zunanjih vplivov (kemični, fizični, udarci) ali tujih snovi,
 - za normalno obrabo nadomestnih delov,
 - neustrezne uporabe, preobremenitve orodja,
 - uporabe neodobrenih dodatkov ali delov,
 - za uplinjač po 6 mesecih, prilagoditve uplinjača po 6 mesecih,
 - za sestavne dele (dele in dodatke), ki so podvrženi normalni obrabi, med drugim za vzmetne gume, pogonske jermene, sklopko, rezila obrezovalnikov ali kosilnic, nosilni trak, kabelske dušilke, karbonskih krtačk, napajalnega kabla, zobovje, polstene podložke, varnostne zatiče, ventilatorje, puhalne in sesalne cevi, sesalne vreče in trakove, vodila, verige za žage, gibljive cevi, nastavke priključkov, pršilne šobe, kolesa, pršilne palice, notranje kolote, zunanja vretena, rezalne nitke, vžigalne svečke, zračne filtre, plinske filtre, drobilna rezila itd.,
4. Za servisiranje je treba izdelek poslati ali prinesiti v pooblaščen servisni center RYOBI, ki je za vsako državo naveden na naslednjem seznamu z naslovi servisnih centrov. V nekaterih državah pošiljanje izdelka servisnemu centru RYOBI prevzame lokalni trgovec z izdelki RYOBI. Za pošiljanje servisnemu centru RYOBI mora biti izdelek varno zapakiran, brez kakršnih koli nevarnih snovi, npr. gorivo, označen z naslovom pošiljatelja, priložen pa mora biti kratek opis napake.
5. Popravilo/nadomestilo v sklopu te garancije je brezplačno. Ne pomeni podaljšanja ali novega začetka garancijskega obdobja. Zamenjani deli ali orodja postanejo naša last. V nekaterih državah mora stroške pošiljanja ali dostave poravnati pošiljatelj.
6. Ta garancija je veljavna v Evropski skupnosti, Šviciji, na Islandiji, Norveškem, v Liechtensteinu, Turčiji in Rusiji. Izven teh področij stopite v stik s pooblaščenim trgovcem RYOBI, da ugotovite, ali velja katera druga garancija.

POOBlašČEN SERVISNI CENTER

Pooblaščen servisni center blizu vas poiščite na <http://uk.ryobitools.eu/header/service-and-support/service-agents>.

SK ZÁRUKA

Okrem zákonných práv vyplývajúcich zo zakúpenia je tento produkt pokrytý zárukou, ako je uvedené nižšie.

1. Záručná doba pre spotrebiteľov je 24 mesiacov a začína dňom zakúpenia produktu. Tento dátum musí byť zdokumentovaný faktúrou alebo iným dokladom o kúpe. Tento produkt je navrhnutý a určený len na potrebné a osobné použitie. Takže v prípade profesionálneho alebo komerčného použitia neplatí žiadna záruka.
2. V niektorých prípadoch (napr. reklamná akcia, rad produktov) existuje možnosť predĺženia záručnej doby nad dobu uvedenú vyššie pomocou registrácie na webovej stránke www.ryobitools.eu. Spôsobilosť nástroja je zreteľne zobrazená v obchodoch a ha obale. Koncový používateľ si musí zaregistrovať svoje novonadobudnuté nástroje online do 8 dní odo dňa zakúpenia. Koncový používateľ sa môže zaregistrovať za účelom získania predĺženej záruky vo svojej krajine, ak je uvedená v online registračnom formulári, kde je táto možnosť platná. Okrem toho musia koncoví používatelia poskytnúť súhlas k uloženiu údajov, ktoré sa zadávajú online a musia súhlasiť so zmluvnými podmienkami. Doklad s potvrdením o registrácii, ktorý posielame prostredníctvom e-mailu a originál faktúry s uvedeným dátumom zakúpenia slúžia ako dôkaz predĺženej záruky. Vaše zákonné práva ostávajú nedotknuté.
3. Táto záruka pokrýva všetky poruchy produktu počas záručnej doby, ktoré vznikli následkom nedostatkov vo vypracovaní alebo materiáli v deň zakúpenia. Táto záruka je omezená na opravu alebo výmenu a nezahŕňa ďalšie povinnosti, napríklad vedľajšie alebo následné škody. Táto záruka je neplatná, ak bol produkt požívaný nesprávne, používaný v rozpore s návodom na použitie alebo nesprávne pripojený. Táto záruka sa nevzťahuje na:
 - akékoľvek poškodenie produktu, ku ktorému došlo následkom nesprávnej údržby
 - akýkoľvek produkt, ktorý bol pozmenený alebo upravený
 - akýkoľvek produkt, na ktorom boli poškodené pozmenené alebo odstránené originálne identifikačné znaky (obchodná známka, sériové číslo)
 - akékoľvek poškodenie spôsobené následkom neodržania návodu na použitie
 - akýkoľvek produkt iný ako CE
 - akýkoľvek produkt, o ktorého opravu sa pokúšal nekvalifikovaný odborník alebo v prípade opravy bez predchádzajúceho oprávnenia od spoločnosti Techtronic Industries
 - akýkoľvek produkt pripojený k nesprávnejmu napájaciemu zdroju (prúd, napätie, frekvencia)
 - akýkoľvek produkt používaný s nevhodnou palivovou zmesou (palivo, olej, percento oleja)
 - akékoľvek poškodenie spôsobené vonkajšími vplyvmi (chemické, fyzické, nárazy) alebo cudzími látkami
 - bežné opotrebenie náhradných dielov
 - nesprávne používanie a preťažovanie nástroja
 - používanie neschváleného príslušenstva alebo dielov
 - karburátor po 6 mesiacoch, úpravy karburátora po 6 mesiacoch
 - komponenty (diely a príslušenstvo), ktoré podliehajú prirodzenému opotrebeniu, napríklad pružinové tlačidlá, hnacie remene, spojka, ostria strihača živého plotu alebo kosačky trávy, postroj, ťahadlo škrťacej klapky, uhľikové kefky, napájaci kábel, končeky, plstené podložky, kolký s háčikom, ventilátory dýchadla, rúrky dýchadla a vysávača, vrecko a remene vysávača, vodiace lišty, pilové reťaze, hadice, konektorové armatúry, rozprašovače trysky, koleska, striekacie tyče, vnútorné navijaky, vonkajšie cievy, rezné drôty, zapalovače sviečky, vzduchové filtre, benzínové filtre, mulčovacie ostria a pod.
4. Na servis sa musí produkt odoslať alebo predložiť autorizovanému servisnému centru RYOBI uvedenému pre každú krajinu v nasledujúcom zozname adres servisných staníc. V niektorých krajinách pošle produkt do servisnej organizácie RYOBI váš miestny predajca produktov RYOBI. Pri odoslaní produktu do servisnej stanice RYOBI musí byť produkt bezpečne zabalený bez akéhokoľvek nebezpečného obsahu, napríklad paliva, označený adresou odosielateľa a musí byť k nemu priložený krátky popis poruchy.
5. Oprava či výmena v rámci tejto záruky je bezplatná. Nevplyvva z nej predĺženie či nový začiatok záručnej doby. Vymenené diely alebo nástroje sa stávajú našim majetkom. V niektorých krajinách doručovací poplatok alebo poštovné platí odosielateľ.
6. Táto záruka je platná v Európskej únii, Švajčiarsku, na Islande, v Nórsku, Lichtenštajnsku, Turecku a Rusku. Mimo týchto oblastí kontaktujte autorizovaného predajcu spoločnosti Ryobi, u ktorého zisľíte, či platí nejaká iná záruka.

AUTORIZOVANÉ SERVISNÉ CENTRUM

Ak chcete nájsť najbližšie autorizované servisné centrum, navštívte stránku <http://uk.ryobitools.eu/header/service-and-support/service-agents>.

BG ГАРАНЦИЯ

В допълнение към законоустановените права, произтичащи от покупката, този продукт е обхванат от гаранция, както е изложено по-долу.

1. Гаранционният срок е 24 месеца за клиенти и започва да тече от деня на закупуване на продукта. Тази дата трябва да се докаже с фактура или друго доказателство за покупка. Продуктът е изработен и предназначен само за потребителска и лична употреба. Следователно не се дава гаранция в случай на използване от професионалисти или с търговска цел.
2. В някои случаи (като промоция, гама инструменти) съществува възможност за удължаване на гаранционния срок след изтичането на описания тук чрез регистрация на уеб сайта www.ryobitools.eu. Дали инструментът отговаря на условията за такова удължаване, ясно показано в магазини и/или върху опаковката. Крайният потребител трябва да регистрира своите новопридобити инструменти онлайн в рамките на 8 дни от датата на покупка. Крайният потребител може да се регистрира за удължена гаранция в държавата си на пребиваване, ако е посочена във формуляра за онлайн регистрация като място, където тази опция е валидна. Освен това крайните потребители трябва да дадат съгласието си за съхранение на данните, които са задължителни за попълване онлайн, и трябва да приемат общите условия. Полученото потвърждение за регистрация, изпратено по имейл, и оригиналната фактура, показваща датата на покупка, ще служат като доказателство за удължената гаранция. Законоустановените Ви права остават незаасегнати.
3. Гаранцията покрива всички дефекти на продукта по време на гаранционния срок, които се дължат на проблеми в изработката или материалите към момента на покупката. Гаранцията е ограничена до ремонт и/или замяна и не включва други задължения, включително, но не само, случайни или закономерни щети. Гаранцията е невалидна, ако продуктът е използван неправилно или в противоречие с ръководството с инструкции, както и ако е свързан неправилно. Тази гаранция не важи за:
 - щети по продукта в резултат на неправилна профилактика;
 - продукти, които са били изменени или модифицирани;
 - продукт, при който оригиналните маркировки за идентификация (търговска марка, сериен номер) са изтрети, променени или премахнати;
 - повреда, причинена от неспазване на ръководството с инструкции;
 - продукт без CE маркировка;
 - продукт, за който е направен опит за ремонт от неквалифициран специалист или без предварително разрешение от Techtronic Industries;
 - продукт, свързан към неподходящо електрозахранване (ампераж, волтаж, честота);
 - продукт, използван с неподходяща горивна смес (гориво, масло, процент масло);
 - щети, причинени от външни влияния (химични, физични, удари) или чужди вещества;
 - нормално износване на резервни част;
 - неподходяща употреба, претоварване на инструмента;
 - използване на неодобриени аксесоари или части;
 - карбуратора след 6 месеца, настройки на карбуратора след 6 месеца;
 - компоненти (част и аксесоари), подложени на естествено износване, включително, но не само, копчета за тласкане, задвижващи ремъци, съединител, остриета на ножници за жив плет, косачки, самар, кабелен дросел, карбонови четки, захранващ кабел, остриета, филцови шайби, осигурителни щифтове, вентилатори на уреди за обдухване, тръби за обдухване и всмукване, торба за отпадъци и ремъци, водеща шина, вериги за триони, маркучи, фитинги на конектори, дюзи, колела, пръскалки, вътрешни и външни макари, режещо влакно, запалителни свещи, въздушни филтри, горивни филтри, остриета за мулчиране и т.н.
4. За обслужване продуктът трябва да се изпрати или занесе на оторизиран сервиз на RYOBI, посочен за всяка държава в следния списък с адреси на сервиси. В някои държави местният търговец на RYOBI поема да изпрати продукта до сервизен център на RYOBI. При изпращане на продукт до сервиз на RYOBI продуктът трябва да е опакован безопасно без опасно съдържание, като бензин, да е маркиран с адреса на подателя и придружен от кратко описание на повредата.
5. Ремонтът или замяната по силата на тази гаранция са безплатни. Те не водят до удължаване или подновяване на гаранционния срок. Сменените части или инструменти стават наша собственост. В някои държави таксите за доставка или изпращане трябва да се платят от подателя.
6. Тази гаранция е валидна в Европейската общност, Швейцария, Исландия, Норвегия, Лихтенщайн, Турция и Русия. Извън тези области се свържете с упълномощения търговец на RYOBI, за да се установи дали са приложими други гаранции.

УПЪЛНОМОЩЕН СЕРВИЗЕН ЦЕНТЪР

За да намерите упълномощен сервизен център близо до вас, посетете <http://uk.ryobitools.eu/header/service-and-support/service-agents>.

English	Français	Deutsch	Español	Italiano	Nederlands
Product specifications	Caractéristiques produit	Produkt-Spezifikationen	Características del producto	Caratteristiche del prodotto	Productgegevens
Rated voltage (DC)	Tension nominale (CC)	Nennspannung (DC)	Tensión nominal (CC)	Voltaggio nominale (DC)	Toegekende spanning (Gelijkstroom)
Rated voltage (AC)	Tension nominale (CA)	Nennspannung (AC)	Tensión nominal (CA)	Voltaggio nominale (AC)	Toegekende spanning (Wisselstroommodus)
Rated input power (AC)	Puissance nominale d'entrée (CA)	Nennaufnahmeleistung (AC)	Potencia nominal de entrada (CA)	Alimentazione nominale (AC)	Nominaal inputvermogen (Wisselstroommodus)
Air velocity	Vitesse du flux d'air	Luftgeschwindigkeit	Velocidad del aire	Velocità aria	Luchtdebit
Air volume	Volume d'air	Luftvolumen	Volumen del aire	Volume aria	Luchtvolume
Weight (without battery pack)	Poids (Sans batterie)	Gewicht (Ohne Akku)	Peso (Sin batería)	Peso (Senza batteria)	Gewicht (Zonder accupak)
Vibration level (in accordance with EN 50636-2-100:2014 Annex BB)	Niveau de vibrations (selon l'Annexe BB de EN 50636-2-100:2014)	Vibrationsgrad (entspricht Anhang BB von EN 50636-2-100:2014)	Nivel de vibración (según el Anexo BB de EN 50636-2-100:2014)	Livello di vibrazioni (Secondo quanto indicato dall'Allegato BB di EN 50636-2-100:2014)	Trillingsniveau (in overeenstemming met bijlage BB van EN 50636-2-100:2014)
Vibration total value	Valeur totale des vibrations	Gesamtwert der Vibration	Valor total de vibración	Valore totale vibrazioni	Totale waarde trilling
Uncertainty of measurement	Incertitude de la mesure	Unsicherheit der Messung	Incertidumbre de medición	Incertezza della misurazione	Onzekerheid bij meting
Noise emission level (in accordance with EN 50636-2-100 Annex CC)	Niveau d'émission sonore (selon l'Annexe CC de EN 50636-2-100)	Geräuschemission (entspricht Anhang CC von EN 50636-2-100)	Nivel de emisión de ruido (según el Anexo CC de EN 50636-2-100)	Livello di emissione rumori (Secondo quanto indicato dall'Allegato CC di EN 50636-2-100)	Niveau geluidsemisie (in overeenstemming met bijlage CC van EN 50636-2-100)
A-weighted sound pressure level at operator's position	Niveau de pression sonore pondéré A au niveau de l'opérateur	A-bewerteter Schalldruckpegel an der Position des Benutzers	Nivel de presión sonora ponderado A en la posición del operario	Livello di pressione sonora ponderata A alla posizione dell'operatore	A-gewogen geluidsdrumniveau bij positie van gebruiker
Uncertainty of measurement	Incertitude de la mesure	Unsicherheit der Messung	Incertidumbre de medición	Incertezza della misurazione	Onzekerheid bij meting
A-weighted sound power level	Niveau de puissance sonore pondéré-A	A-bewerteter Schallleistungspegel	Nivel de potencia acústica ponderada en A	Livello di potenza sonora pesato A	A-gewogen geluids-niveau
Uncertainty of measurement	Incertitude de la mesure	Unsicherheit der Messung	Incertidumbre de medición	Incertezza della misurazione	Onzekerheid bij meting
Battery and charger	Batterie et chargeur	Akku und Ladegerät	Batería y cargador	Batteria e caricatore	Accu en oplader
Compatible battery packs	Packs Batterie Compatibles	Kompatible Akkus	Paquetes de batería compatibles	Gruppo batterie compatibili	Compatibele accupacks
Weight of battery pack (Maximum)	Poids de batterie (maximum)	Gewicht des Akku (Maximum)	Peso de la batería (máximo)	Peso del gruppo batterie (Massimo)	Gewicht batterijpack (maximum)
Compatible charger	Chargeur compatible	Kompatibles Ladegerät	Cargador compatible	Caricatore compatibile	Kompatibel oplader



Português	Dansk	Svenska	Suomi	Norsk	Русский	
Características do aparelho	Produkt specifikationer	Produkt specifikationer	Tuotteen tekniset tiedot	Produkt spesifikasjoner	Характеристики изделия	
Tensão nominal (DC)	Mærkespænding (DC)	Spänning (Likström)	Nimellisjännite (DC)	Nominell spenning (DC)	Номинальное напряжение (для режима постоянного тока)	18V
Tensão nominal (AC)	Mærkespænding (AC)	Spänning (Växelströmsläge)	Nimellisjännite (AC)	Nominell spenning (AC)	Номинальное напряжение (для режима переменного тока)	230-240V ~50Hz
Potência nominal de entrada (AC)	Normeret indgangseffekt (AC)	Klassad ineffekt (Växelströmsläge)	Nimellisototeho (AC)	Nominell inngående effekt (AC)	Номинальная входная мощность (для режима переменного тока)	330 W
Velocidade do Ar	Lufthastighed	Lufthastighet	Ilman nopeus	Lufthastighet	Скорость воздушного потока	250 km/h
Volume de Ar	Luftvolumen	Luftvolym	Ilmamäärä	Luftvolum	Объем воздуха	2,8 m³/min
Peso (Sem bateria)	Vægt (Ingen batteri)	Vikt (Utan batteri)	Paino (Ilman akku)	Vekt (Uten batteri)	вес (Без аккумулятора)	2,1 kg
Nível de vibração (segundo o Anexo BB da norma EN 50636-2-100:2014)	Vibrationsniveau (i henhold til bilag BB til EN 50636-2-100:2014)	Vibrationsnivå (enligt Annex BB i EN 50636-2-100:2014)	Tärinätaso (EN 50636-2-100:2014 -standardin liitteen BB mukaan)	Vibrasjonsnivå (i samsvar med Tillegg BB til EN 50636-2-100:2014)	Уровень вибрации (в соответствии с Приложением BB стандарта EN 50636-2-100:2014)	
Valor total da vibração	Total vibrationsværdi	Totalvärde för vibration	Tärinän kokonaisarvo	Vibrasjon totalverdi	Суммарное значение вибрации	2,7 m/s²
Incerteza de medições	Målingsusikkerhed	Osäkerhet i mätningar	Mittausten epätaarkkuus	Usikkerhet ved måling	Погрешность измерения	1,5 m/s²
Nível de emissão de ruído (segundo o Anexo CC da norma EN 50636-2-100)	Støjemissionsniveau (i henhold til bilag CC til EN 50636-2-100)	Bullernivå (enligt Annex CC i EN 50636-2-100)	Melutaso (EN 50636-2-100 -standardin liitteen CC mukaan)	Støyemisjonsnivå (i samsvar med Tillegg CC til EN 50636-2-100)	Уровень шума (в соответствии с Приложением CC стандарта EN 50636-2-100)	
Nível de pressão sonora ponderada A na posição do operador	A-vægtet lydtryksniveau ved operatørens position	A-viktad ljudtrycksnivå vid operatörsplats	A-painotettu käyttäjään kohdistuva äänenpainetaso	Støynivåvektning ved operatørens posisjon	Амплитудно-взвешенный уровень звукового давления в рабочем месте оператора	78,0 dB(A)
Incerteza de medições	Målingsusikkerhed	Osäkerhet i mätningar	Mittausten epätaarkkuus	Usikkerhet ved måling	Погрешность измерения	2,5 dB
Nível de potência sonora ponderada A	A-vægtet lydeffektniveau	A-vägd ljudeffektnivå	A-painotettu äänenteho	A-vektet lydeffektnivå	Уровень A-взвешенной звуковой мощности	91,0 dB(A)
Incerteza de medições	Målingsusikkerhed	Osäkerhet i mätningar	Mittausten epätaarkkuus	Usikkerhet ved måling	Погрешность измерения	1,4 dB
Bateria e carregador	Batteri og oplader	Batteri och batteriladdare	Akku ja laturi	Batteri og lader	Аккумуляторная батарея и зарядное устройство	
Baterias Compatíveis	Kompatible batterier	Kompatibla batteripaket	Yhteensopivat akut	Kompatible batteripakker	Совместимая аккумуляторная батарея	BPL-1815 / BPL-1820 / RB18L13 / RB18L15 / RB18L25 / RB18L26 / RB18L40 / RB18L50
Peso da bateria (máximo)	Batteripakkens vægt (max)	Batteriets vikt (max)	Akun paino (enintään)	Vekten på batteriene (maksimalt)	Масса батареи (максимум)	0,75 kg
Carregador compatível	Compatibele oplader	Passande laddare	Yhteensopiva laturi	Kompatibel lader	Совместимое зарядное устройство	BCL-1800 / BCL1418 / BCL14181H / BCL14183H



Polski	Čeština	Magyar	Română	Latviski	Lietuviškai
Parametry techniczne	Technické údaje produktu	Termék műszaki adatai	Specificațiile produsului	Produkta specifikācijas	Gaminio techninės savybės
Napięcie znamionowe (DC)	Jmenovitě napětí (DC)	Névleges feszültség (Egyenáram)	Tensiunea nominală (DC)	Nominālais spriegums (DC)	Nominali įtampa (Nuolatinė srovė)
Napięcie znamionowe (AC)	Jmenovitě napětí (AC)	Névleges feszültség (Váltakozó áramú)	Tensiunea nominală (AC)	Nominālais spriegums (AC)	Nominali įtampa (Kintamoji srovė)
Znamionowa moc pobierana (AC)	Jmenovitý příkon (AC)	Névleges bemeneti teljesítmény (Váltakozó áramú)	Valoare putere la intrare (AC)	Aprēķinātā ievades jauda (AC)	Nominaloji įėjimo galia (Kintamoji srovė)
Prędkość powietrza	Rychlost vzduchu	Levegő sebessége	Viteză aer	Gaisa ātrums	oro greitis
Objętość powietrza	Objem vzduchu	Levegőtérfogat	Volum de aer	Gaisa plūsma	Oro kiekis
Ciężar (Bez akumulatora)	Hmotnost (Není vložen akumulátor)	Gépsúly (Akkumulátor nélkül)	Greutate (Fără baterie)	Svars (Bez akumulatora)	Svoris (Be akumulatorinės baterijos)
Poziom drgań (zgodnie z aneksem BB normy EN 50636-2-100:2014)	Úroveň vibrací (v souladu s přílohou BB normy EN 50636-2-100:2014)	Vibrációs szint (az EN 50636-2-100:2014 BB. függeléke szerint)	Nivelul vibrațiilor (în conformitate cu anexa BB din EN 50636-2-100:2014)	Vibrācijas līmenis (saskaņā ar EN 50636-2-100:2014 pielikumu BB)	Vibracijos lygis (pagal EN 50636-2-100:2014 standarto BB priedą.)
Łączna wartość vibracji	Hodnota celkových vibrací	Vibráció teljes értéke	Valoare totală vibrație	Vibrācijas kopējais apjoms	Bendra vibracijos vertė
Niepewność pomiaru	Nejistota měření	Mérés bizonytalansága	Incertitudine a măsurării.	Mērījuma mainīgums	Matmenų paklaida
Poziom emisji hałasu (zgodnie z aneksem CC normy EN 50636-2-100)	Hladina emise hluku (v souladu s přílohou CC normy EN 50636-2-100)	Zajëbocsátási szint (az EN 50636-2-100 CC. függeléke szerint)	Nivel emisie zgomot (în conformitate cu anexa CC din EN 50636-2-100)	Trokšņa emisijas līmenis (saskaņā ar EN 50636-2-100 pielikumu CC)	Triukšmo emisijų norma (pagal EN 50636-2-100 standarto CC priedą.)
Poziom ciśnienia akustycznego w pozycji operatora	Hladina akustického tlaku vážená funkcií A v poloze obsluhy	A-súlyozott hangnyomásszint a kezelő helyén	Un nivel de presiune al sunetului mai tare la poziția operatorului.	Lietotāja pozīcijā ir ar A novērtēts skaņas spiediena līmenis.	A lygio svoris garso slėgis operatoriaus padėtyje.
Niepewność pomiaru	Nejistota měření	Mérés bizonytalansága	Incertitudine a măsurării.	Mērījuma mainīgums	Matmenų paklaida
A-ważony poziom natężenia hałasu	Hladina akustického výkonu vážená funkcií A	A-súlyozott hangteljesítményszint	Nivel de putere acustică ponderată A	A-līmeņa skaņas jaudas līmenis	A svertinis garso lygis
Niepewność pomiaru	Nejistota měření	Mérés bizonytalansága	Incertitudine a măsurării.	Mērījuma mainīgums	Matmenų paklaida
Akumulator i ładowarka	Nabječka a baterie	Akkumulátor és töltő	Bateria și încărcătorul	Akumulators un lādētājs	Akumulatorius ir įkroviklis
Pasujące akumulatory	Kompatibilní akumulátory	Kompatibilis akkumulátorok	Acumulatori compatibili	Savietojami akumulatoru komplekti	Suderinami baterijos paketai
Waga akumulatora (maks)	Hmotnost akumulátoru (maximální)	Akkumulátor tömege (maximum)	Greutatea acumulatorului (maximă)	Baterijas pakas svars (Maksimums)	Akumulatoriaus svoris (didžiausias)
Odpowiednia ładowarka	Kompatibilni nabječka	Kompatibilis töltő	Încărcător compatibil	Saderīgs lādētājs	Tinkamas įkroviklis

Eesti	Hrvatski	Slovensko	Slovenčina	България	
Toote tehnilised andmed	Specifikacije proizvoda	Specifikacije izdelka	Špecifikácie produktu	Технически характеристики	
Nimipinge (DC)	Nazivni napon (DC)	Nazivna napetost (DC)	Menovité napätie (DC)	Номинален волтаж (DC)	18V
Nimipinge (AC)	Nazivni napon (AC)	Nazivna napetost (AC)	Menovité napätie (AC)	Номинален волтаж (AC)	230-240V ~50Hz
Nominaalne sisendvool (AC)	Ulazna snaga (AC)	Nazivna vhodna moč (AC)	Menovitý príkon (AC)	Номинална входяща мощност (AC)	330 W
Õhu kiirus	Brzina zraka	Hitrost zraka	Rýchlosť vzduchu	Скорост на въздушната струя	250 km/h
Õhu vooluhulk	Količina zraka	Prostornina zraka	Objem vzduchu	Въздушен обем	2,8 m³/min
Kaal (Ilma aku pakita)	Težina (Bez baterije)	Teža (Brez baterijskega)	Hmotnosť (Bez batérie)	Тегло (Без батерия)	2,1 kg
Vibratsioonitase (vastavalt standardi EN 50636-2-100:2014 lisale BB)	Razina vibracije (u skladu s Dodatkom BB EN 50636-2-100:2014)	Raven vibracij (v skladu z aneksom BB v EN 50636-2-100:2014)	Úroveň vibrácií (v súlade s Dodatkom BB normy EN 50636-2-100:2014)	Ниво на вибрация (в съответствие с приложение BB на EN 50636-2-100:2014)	
Vibratsiooni koguväärtus	Ukupna vrijednost vibracija	Skupna vrednost vibracij	Celková hodnota vibrácií	Обща стойност на вибрациите	2,7 m/s²
Mõõtmismääramatus	Neodređenost mjerenja	Negotovost meritev	Nespolahlivost' merani	Несигурност на измерването	1,5 m/s²
Müraemissiooni tase (vastavalt standardi EN 50636-2-100 lisale CC)	Razina emitirane buke (u skladu s Dodatkom CC EN 50636-2-100)	Raven emisij hrupa (v skladu z aneksom CC v EN 50636-2-100)	Úroveň emisií hluku (v súlade s Dodatkom CC normy EN 50636-2-100)	Ниво на шумова емисия (в съответствие с приложение CC на EN 50636-2-100)	
A-kaalutud müraemissiooni rõhu tase operatoori töökohal	A-ponderirana razina zvučnog tlaka u položaju operatera	A-izmerjena raven zvočnega tlaka pri položaju upravljalca	Vážená A hladina akustického tlaku na pozícií obsluhujúcej osoby.	Равнище А на нивото на шумовото налягане на мястото на оператора.	78,0 dB(A)
Mõõtmismääramatus	Neodređenost mjerenja	Negotovost meritev	Nespolahlivost' merani	Несигурност на измерването	2,5 dB
A-kaalutud helivõimsuse tase	Ponderirana razina zvučne snage	A-izmerjena raven zvočne moči	Vážená A hladina akustického výkonu	Ниво на силата на шума с равнище А	91,0 dB(A)
Mõõtmismääramatus	Neodređenost mjerenja	Negotovost meritev	Nespolahlivost' merani	Несигурност на измерването	1,4 dB
Aku ja laadija	Baterija i punjač	Baterija in polnilnik	Akumulátor a nabíjačka	Батерия и зарядно устройство	
Ühilduvad akupaketid	Kompatibilna pakiranja baterija	Zdrúzljive baterije	Kompatibilné jednotky akumulátorov	Съвместими батерии	BPL-1815 / BPL-1820 / RB18L13 / RB18L15 / RB18L25 / RB18L26 / RB18L40 / RB18L50
Akupaketi mass (maksimaalne)	Težina baterija (maksimalno)	Teža baterije (največja)	Hmotnosť jednotky akumulátora (maximálna)	Тегло на акумулаторната батерия (максимално)	0,75 kg
Kasutatav laadija	Kompatibilni punjač	Zdrúzljiv polnillec	Kompatibilná nabíjačka	Съвместимо зарядно устройство	BCL-1800 / BCL1418 / BCL14181H / BCL14183H

EN EC DECLARATION OF CONFORMITY

Techtronic Industries GmbH
Max-Eyth-Straße 10, 71364 Winnenden, Germany

Herewith we declare that the product

Hybrid Blower
Brand: RYOBI
Model number: OBL1820H
Serial number range: 44439402000001 - 44439402999999

is in conformity with the following European Directives and harmonised standards

2006/42/EC, 2014/30/EU, 2000/14/EC, 2005/88/EC, 2011/65/EU,
EN 60335-1:2012+A11:2014, EN 50636-2-100:2014,
EN 55014-1:2017, EN 55014-2:2015, EN 61000-3-2:2014, EN
61000-3-3:2013, EN 62233:2008, EN 50581:2012

Measured sound power level: 91,0 dB(A)
Guaranteed sound power level: 94 dB(A)
Conformity assessment method to Annex V Directive 2000/14/EC amended by
2005/88/EC.

Andrew John Eyre (BEng, CEng, MIET)
Vice President, Regulatory & Safety Winnenden,
Oct. 30, 2017

Authorised to compile the technical file: Alexander
Krug, Managing Director
Techtronic Industries GmbH
Max-Eyth-Straße 10, 71364 Winnenden, Germany

DE EC KONFORMITÄTSERKLÄRUNG

Techtronic Industries GmbH
Max-Eyth-Straße 10, 71364 Winnenden, Germany

Hiermit erklären wir, dass die Produkte

Hybrid-Bläser
Marke: RYOBI
Modellnummer: OBL1820H
Seriennummernbereich: 44439402000001 - 44439402999999

mit den folgenden europäischen Richtlinien und harmonisierten Normen entspricht

2006/42/EC, 2014/30/EU, 2000/14/EC, 2005/88/EC, 2011/65/EU,
EN 60335-1:2012+A11:2014, EN 50636-2-100:2014,
EN 55014-1:2017, EN 55014-2:2015, EN 61000-3-2:2014, EN
61000-3-3:2013, EN 62233:2008, EN 50581:2012

Gemessener Schalleistungspegel: 91,0 dB(A)
Garantierter Schalleistungspegel: 94 dB(A)
Konformitätsbeurteilungsmethode zu Anhang V Richtlinie 2000/14/EC wie durch
2005/88/EC.

Andrew John Eyre (BEng, CEng, MIET)
Vizepräsident, Vorschriften und Sicherheit
Winnenden, Oct. 30, 2017

Autorisiert die technische Datei zu erstellen:
Alexander Krug, Geschäftsführer
Techtronic Industries GmbH
Max-Eyth-Straße 10, 71364 Winnenden, Germany

FR DÉCLARATION DE CONFORMITÉ EC

Techtronic Industries GmbH
Max-Eyth-Straße 10, 71364 Winnenden, Germany

Déclarons par la présente que le produit

Souffleur Hybride
Marque: Ryobi
Numéro de modèle: OBL1820H
Étendue des numéros de série: 44439402000001 - 44439402999999

est conforme aux Directives Européennes et Normes Harmonisées suivantes

2006/42/EC, 2014/30/EU, 2000/14/EC, 2005/88/EC, 2011/65/EU,
EN 60335-1:2012+A11:2014, EN 50636-2-100:2014,
EN 55014-1:2017, EN 55014-2:2015, EN 61000-3-2:2014, EN
61000-3-3:2013, EN 62233:2008, EN 50581:2012

Niveau de puissance sonore mesuré: 91,0 dB(A)
Niveau de puissance sonore garanti: 94 dB(A)
Méthode d'évaluation de conformité de l'annexe V Directive 2000/14/EC modifiée
2005/88/EC.

Andrew John Eyre (BEng, CEng, MIET)
Vice-Président, Réglementation & Sécurité
Winnenden, Oct. 30, 2017

Autorisé à rédiger le dossier technique:
Alexander Krug, Directeur Général
Techtronic Industries GmbH
Max-Eyth-Straße 10, 71364 Winnenden, Germany

ES DECLARACIÓN EC DE CONFORMIDAD

Techtronic Industries GmbH
Max-Eyth-Straße 10, 71364 Winnenden, Germany

Por la presente declaramos que los productos

Soplador híbrido
Marca: Ryobi
Número de modelo: OBL1820H
Intervalo del número de serie: 44439402000001 - 44439402999999

se encuentra en conformidad con las siguientes Directivas Europeas y normas
armonizadas

2006/42/EC, 2014/30/EU, 2000/14/EC, 2005/88/EC, 2011/65/EU,
EN 60335-1:2012+A11:2014, EN 50636-2-100:2014,
EN 55014-1:2017, EN 55014-2:2015, EN 61000-3-2:2014, EN
61000-3-3:2013, EN 62233:2008, EN 50581:2012

Nivel de potencia acústica medido: 91,0 dB(A)
Nivel de potencia acústica garantizado: 94 dB(A)
Método de evaluación de conformidad con el anexo V Directiva 2000/14/EC
modificada por la 2005/88/EC.

Andrew John Eyre (BEng, CEng, MIET)
Vicepresidente, Director General de Normativa y
Seguridad Winnenden, Oct. 30, 2017

Autorizado para elaborar la ficha técnica:
Alexander Krug, Administrador Ejecutivo
Techtronic Industries GmbH
Max-Eyth-Straße 10, 71364 Winnenden, Germany

IT DICHIARAZIONE DI CONFORMITÀ EC

Techtronic Industries GmbH
Max-Eyth-Straße 10, 71364 Winnenden, Germany

Si dichiara con la presente che il prodotto

Soffiatore ibrido
Marca: RYOBI
Numero modello: OBL1820H
Gamma numero seriale: 44439402000001 - 44439402999999

è conforme alle seguenti Direttive Europee e ai seguenti standard armonizzati
2006/42/EC, 2014/30/EU, 2000/14/EC, 2005/88/EC, 2011/65/EU,
EN 60335-1:2012+A11:2014, EN 50636-2-100:2014,
EN 55014-1:2017, EN 55014-2:2015, EN 61000-3-2:2014, EN
61000-3-3:2013, EN 62233:2008, EN 50581:2012

Livello di potenza acustica misurato: 91,0 dB(A)
Livello di potenza sonora garantita: 94 dB(A)
Metodo di valutazione sulla conformità all'allegato V Direttiva 2000/14/EC modificata
con la 2005/88/EC.

CE

Andrew John Eyre (BEng, CEng, MIET)
Vice-Presidente, Dipartimento Regolazioni &
Sicurezza Winnenden, Oct. 30, 2017

Autorizzato per compilare il file tecnico:
Alexander Krug, Direttore Amministrativo
Techtronic Industries GmbH
Max-Eyth-Straße 10, 71364 Winnenden, Germany

PT DECLARAÇÃO EC DE CONFORMIDADE

Techtronic Industries GmbH
Max-Eyth-Straße 10, 71364 Winnenden, Germany

Pelo presente declaramos que os produtos

Ventilador de híbrido
Marca: RYOBI
Número do modelo: OBL1820H
Intervalo do número de série: 44439402000001 - 44439402999999

*se encontra em conformidade com as seguintes Directivas Europeias e normas
harmozizadas*
2006/42/EC, 2014/30/EU, 2000/14/EC, 2005/88/EC, 2011/65/EU,
EN 60335-1:2012+A11:2014, EN 50636-2-100:2014,
EN 55014-1:2017, EN 55014-2:2015, EN 61000-3-2:2014, EN
61000-3-3:2013, EN 62233:2008, EN 50581:2012

Nível de potência sonora medido: 91,0 dB(A)
Nível de potência sonora garantido: 94 dB(A)
Método de avaliação de conformidade para o anexo V Directiva 2000/14/EC
alterada por 2005/88/EC.

CE

Andrew John Eyre (BEng, CEng, MIET)
Vice-Presidente, Regulamentação & Segurança
Winnenden, Oct. 30, 2017

Autorizado para compilar o ficheiro técnico:
Alexander Krug, Administrador Executivo
Techtronic Industries GmbH
Max-Eyth-Straße 10, 71364 Winnenden, Germany

NL EC CONFORMITEITSVERKLARING

Techtronic Industries GmbH
Max-Eyth-Straße 10, 71364 Winnenden, Germany

Hierbij verklaren wij dat het product

Hybride blazer
Merk: Ryobi
Modelnummer: OBL1820H
Serienummerbereik: 44439402000001 - 44439402999999

*is in overeenstemming met de volgende Europese Richtlijnen en geharmoniseerde
normen*

2006/42/EC, 2014/30/EU, 2000/14/EC, 2005/88/EC, 2011/65/EU,
EN 60335-1:2012+A11:2014, EN 50636-2-100:2014,
EN 55014-1:2017, EN 55014-2:2015, EN 61000-3-2:2014, EN
61000-3-3:2013, EN 62233:2008, EN 50581:2012

Gemeten geluidsniveau: 91,0 dB(A)
Gegarandeerd geluidsniveau: 94 dB(A)
Evaluatiemethode conformiteit volgens bijlage V Richtlijn 2000/14/EC gewijzigd
door 2005/88/EC.

CE

Andrew John Eyre (BEng, CEng, MIET)
Vice-president, Regelgeving en Veiligheid
Winnenden, Oct. 30, 2017

Afgevaardigde voor het samenstellen van de technische fiche:
Alexander Krug, Directeur
Techtronic Industries GmbH
Max-Eyth-Straße 10, 71364 Winnenden, Germany

DA EC OVERENSSTEMMELSEERKLÆRING

Techtronic Industries GmbH
Max-Eyth-Straße 10, 71364 Winnenden, Germany

Vi erklærer hermed, at produktet

Hybridblæser
Brand: RYOBI
Modelnummer: OBL1820H
Serienummerområde: 44439402000001 - 44439402999999

er i overensstemmelse med følgende EU-direktiver og harmoniserede standarder

2006/42/EC, 2014/30/EU, 2000/14/EC, 2005/88/EC, 2011/65/EU,
EN 60335-1:2012+A11:2014, EN 50636-2-100:2014,
EN 55014-1:2017, EN 55014-2:2015, EN 61000-3-2:2014, EN
61000-3-3:2013, EN 62233:2008, EN 50581:2012

Målt støjniveau: 91,0 dB(A)
Garanteret støjniveau: 94 dB(A)
Overensstemmelsesvurderingsmetode til bilag V Direktiv 2000/14/EC ændret ved
2005/88/EC.

CE

Andrew John Eyre (BEng, CEng, MIET)
Vicepræsident, Regler og Sikkerhed Winnenden,
Oct. 30, 2017

Bemyndiget til at udarbejde det tekniske kartotek:
Alexander Krug, Administrerende Direktør
Techtronic Industries GmbH
Max-Eyth-Straße 10, 71364 Winnenden, Germany

SV EC-KONFORMITETSDEKLARATION

Techtronic Industries GmbH
Max-Eyth-Straße 10, 71364 Winnenden, Germany

Härmed deklarerar vi att produkterna

Hybridblåsare
Märke: RYOBI
Modellnummer: OBL1820H
Serienummerintervall: 44439402000001 - 4443940299999

är i enlighet med följande EU-direktiv och harmoniserade standarder
2006/42/EC, 2014/30/EU, 2000/14/EC, 2005/88/EC, 2011/65/EU,
EN 60335-1:2012+A11:2014, EN 50636-2-100:2014,
EN 55014-1:2017, EN 55014-2:2015, EN 61000-3-2:2014, EN
61000-3-3:2013, EN 62233:2008, EN 50581:2012

Uppmätt ljudeffektnivå: 91,0 dB(A)
Garanterad ljudeffektnivå: 94 dB(A)
Konformitetsbedömning gjord enligt metod i V Direktiv 2000/14/EC samt tilläggan
i 2005/88/EC.

Andrew John Eyre (BEng, CEng, MIET)
Vice President, Regelverk och
Säkerhet Winnenden, Oct. 30, 2017

Godkänd att sammanställa den tekniska filen:
Alexander Krug, VD
Techtronic Industries GmbH
Max-Eyth-Straße 10, 71364 Winnenden, Germany

NO EC-SAMSVARERKLÆRING

Techtronic Industries GmbH
Max-Eyth-Straße 10, 71364 Winnenden, Germany

Herved erklærer vi at produktet

Hybridblåser
Märke: RYOBI
Modellnummer: OBL1820H
Serienummerserie: 44439402000001 - 4443940299999

er i samsvar med følgende europeiske direktiver og harmoniserte standarder
2006/42/EC, 2014/30/EU, 2000/14/EC, 2005/88/EC, 2011/65/EU,
EN 60335-1:2012+A11:2014, EN 50636-2-100:2014,
EN 55014-1:2017, EN 55014-2:2015, EN 61000-3-2:2014, EN
61000-3-3:2013, EN 62233:2008, EN 50581:2012

Målt lydeffektnivå: 91,0 dB(A)
Garantert lydeffektnivå: 94 dB(A)
Metode for vurdering av konformitet til Tillegg V Direktiv 2000/14/EC endret ved
2005/88/EC.

Andrew John Eyre (BEng, CEng, MIET)
Visepresident, Forskrifter og Sikkerhet
Winnenden, Oct. 30, 2017

Autorisert til å sette sammen den tekniske filen:
Alexander Krug, Administrerende Direktør
Techtronic Industries GmbH
Max-Eyth-Straße 10, 71364 Winnenden, Germany

FI EC-SÄÄNNÖSTEN NOUDATTAMINEN

Techtronic Industries GmbH
Max-Eyth-Straße 10, 71364 Winnenden, Germany

Ilmoitamme täten, että tuotteet

Hybridipuhallin
Tuotemerkki: RYOBI
Mallinumero: OBL1820H
Sarjanumerosalue: 44439402000001 - 4443940299999

noudattaa seuraavia EU-direktiivejä ja harmonoituja standardeja
2006/42/EC, 2014/30/EU, 2000/14/EC, 2005/88/EC, 2011/65/EU,
EN 60335-1:2012+A11:2014, EN 50636-2-100:2014,
EN 55014-1:2017, EN 55014-2:2015, EN 61000-3-2:2014, EN
61000-3-3:2013, EN 62233:2008, EN 50581:2012

Mitattu äänenteho: 91,0 dB(A)
Taattu äänentehon: 94 dB(A)
Säännösten noudattaminen tarkastettu direktiivin 2000/14/EC liitteen V mukaisesti
muunnettu direktiivillä 2005/88/EC.

Andrew John Eyre (BEng, CEng, MIET)
Varatoimitusjohtaja, Säästöstenmukaisuus ja
Turvallisuus Winnenden, Oct. 30, 2017

Valtuutettu kokoamaan tekninen tiedosto:
Alexander Krug, Toimitusjohtaja
Techtronic Industries GmbH
Max-Eyth-Straße 10, 71364 Winnenden, Germany

RU ЗАЯВЛЕНИЕ О СООТВЕТСТВИИ ТРЕБОВАНИЯМ ЕС

Techtronic Industries GmbH
Max-Eyth-Straße 10, 71364 Winnenden, Germany

Настоящим мы заявляем, что данный продукт

Гибридная воздуходувка
Марка: RYOBI
Номер модели: OBL1820H
Диапазон заводских номеров: 44439402000001 - 4443940299999

соответствует требованиям следующих Директив ЕС и согласованных стандартов
2006/42/EC, 2014/30/EU, 2000/14/EC, 2005/88/EC, 2011/65/EU,
EN 60335-1:2012+A11:2014, EN 50636-2-100:2014,
EN 55014-1:2017, EN 55014-2:2015, EN 61000-3-2:2014, EN
61000-3-3:2013, EN 62233:2008, EN 50581:2012

Измеренный уровень звуковой мощности: 91,0 dB(A)
Гарантируемый уровень звуковой мощности: 94 dB(A)
Способ оценки соответствия, приложение V к директиве 2000/14/EC с
изменениями 2005/88/EC.

Andrew John Eyre (BEng, CEng, MIET)
Вице-Президент По Технике Безопасности И Стандартам
Winnenden, Oct. 30, 2017

Лицо, ответственное за подготовку технической документации:
Alexander Krug, Директор
Techtronic Industries GmbH
Max-Eyth-Straße 10, 71364 Winnenden, Germany

PL DEKLARACJA ZGODNOŚCI EC

Techtronic Industries GmbH
Max-Eyth-Straße 10, 71364 Winnenden, Germany

Niniejszym deklarujemy, że produkty

Dmuchała hybrydowa
Marka: RYOBI
Numer modelu: OBL1820H
Zakres numerów seryjnych: 44439402000001 - 44439402999999

jest zgodny z następującymi dyrektywami europejskimi i zharmonizowanymi normami

2006/42/EC, 2014/30/EU, 2000/14/EC, 2005/88/EC, 2011/65/EU,
EN 60335-1:2012+A11:2014, EN 50636-2-100:2014,
EN 55014-1:2017, EN 55014-2:2015, EN 61000-3-2:2014, EN
61000-3-3:2013, EN 62233:2008, EN 50581:2012

Zmierzony poziom natężenia hałasu: 91,0 dB(A)
Maksymalny poziom natężenia hałasu: 94 dB(A)
Metoda ocena zgodności zgodnie z aneksem V Dyrektywa 2000/14/EC zmieniona przez dyrektywę 2005/88/EC.

Andrew John Eyre (BEng, CEng, MIET)
Wiceprezes ds. Zgodności Prawnej i Bezpieczeństwa
Winnenden, Oct. 30, 2017

Osoba upoważniona do sporządzenia dokumentu technicznego:
Alexander Krug, Dyrektor Zarządzający
Techtronic Industries GmbH
Max-Eyth-Straße 10, 71364 Winnenden, Germany

HU EC MEGFELELŐSÉGI NYILATKOZAT

Techtronic Industries GmbH
Max-Eyth-Straße 10, 71364 Winnenden, Germany

Ezúton kijelentjük, hogy a termékek

Hibrid fűvógép
Marka: RYOBI
Típusszám: OBL1820H
Sorozatszám tartomány: 44439402000001 - 44439402999999

megfelel az alábbi Európai Irányelvek és harmonizált szabványok vonatkozó rendelkezéseinek

2006/42/EC, 2014/30/EU, 2000/14/EC, 2005/88/EC, 2011/65/EU,
EN 60335-1:2012+A11:2014, EN 50636-2-100:2014,
EN 55014-1:2017, EN 55014-2:2015, EN 61000-3-2:2014, EN
61000-3-3:2013, EN 62233:2008, EN 50581:2012

Mért hangteljesítményszint: 91,0 dB(A)
Garantált hangteljesítményszint: 94 dB(A)
A megfelelőségi értékelési eljárás a 2000/14/EC irányelv V. függeléké szerint történt által módosított 2005/88/EC irányelv.

Andrew John Eyre (BEng, CEng, MIET)
Alelnök, Megfelelőségi és Biztonsági Területek
Winnenden, Oct. 30, 2017

A műszaki dokumentáció összeállítására felhatalmazott:
Alexander Krug, Ügyvezető Igazgató
Techtronic Industries GmbH
Max-Eyth-Straße 10, 71364 Winnenden, Germany

CS PROHLÁŠENÍ O SHODĚ EC

Techtronic Industries GmbH
Max-Eyth-Straße 10, 71364 Winnenden, Germany

Tímto prohlašujeme, že výrobky

Hybridní fukar
Značka: RYOBI
Číslo modelu: OBL1820H
Rozsah sériových čísel: 44439402000001 - 44439402999999

že tento výrobek je v souladu s evropskými a harmonizovanými standardy
2006/42/EC, 2014/30/EU, 2000/14/EC, 2005/88/EC, 2011/65/EU,
EN 60335-1:2012+A11:2014, EN 50636-2-100:2014,
EN 55014-1:2017, EN 55014-2:2015, EN 61000-3-2:2014, EN
61000-3-3:2013, EN 62233:2008, EN 50581:2012

Změřená hladina akustického výkonu: 91,0 dB(A)
Zaručená hladina akustického výkonu: 94 dB(A)
Soulad s metodou určování pro přílohu V směrnice 2000/14/EC upravená 2005/88/EC.

Andrew John Eyre (BEng, CEng, MIET)
Viceprezident, Normy a Bezpečnost Winnenden,
Oct. 30, 2017

Pověření ke kompilaci technického souboru:
Alexander Krug, Generální Reditel
Techtronic Industries GmbH
Max-Eyth-Straße 10, 71364 Winnenden, Germany

RO DECLARAȚIE DE CONFORMITATE EC

Techtronic Industries GmbH
Max-Eyth-Straße 10, 71364 Winnenden, Germany

Prin prezenta, declarăm că produsele

Sufiator frunze hibrid
Marcă: RYOBI
Număr serie: OBL1820H
Gamă număr serie: 44439402000001 - 44439402999999

este în conformitate cu următoarele Directive Europene și standarde armonizate
2006/42/EC, 2014/30/EU, 2000/14/EC, 2005/88/EC, 2011/65/EU,
EN 60335-1:2012+A11:2014, EN 50636-2-100:2014,
EN 55014-1:2017, EN 55014-2:2015, EN 61000-3-2:2014, EN
61000-3-3:2013, EN 62233:2008, EN 50581:2012

Nivelul măsurat al puterii acustice: 91,0 dB(A)
Nivel garantat al puterii acustice: 94 dB(A)
Metoda de evaluare a conformității cu Anexa V Directiva 2000/14/EC modificată prin 2005/88/EC.

Andrew John Eyre (BEng, CEng, MIET)
Vicepreședinte, Reglementare și Siguranță
Winnenden, Oct. 30, 2017

Autorizat să completeze fișa tehnică:
Alexander Krug, Director General
Techtronic Industries GmbH
Max-Eyth-Straße 10, 71364 Winnenden, Germany

LV EC ATBILSTĪBAS DEKLARĀCIJA

Techtronic Industries GmbH
Max-Eyth-Straße 10, 71364 Winnenden, Germany

Ar šo paziņojam, ka produkti

Hidrīdpūķis
Zīmols: RYOBI
Modeļa numurs: OBL1820H
Sērijas numura intervāls: 44439402000001 - 44439402999999

atbilst šādām Eiropas direktīvām un saskaņotajiem standartiem
2006/42/EC, 2014/30/EU, 2000/14/EC, 2005/88/EC, 2011/65/EU,
EN 60335-1:2012+A11:2014, EN 50636-2-100:2014,
EN 55014-1:2017, EN 55014-2:2015, EN 61000-3-2:2014, EN
61000-3-3:2013, EN 62233:2008, EN 50581:2012

Izmērītās skaņas jaudas līmenis: 91,0 dB(A)
Garantētais skaņas intensitātes līmenis: 94 dB(A)
Atbilstības novērtēšanas metode pielikumam V Direktīvai 2000/14/EC labota
2005/88/EC.

Andrew John Eyre (BEng, CEng, MIET)
Viceprezidents, Darba Drošības Noteikumi
Winnenden, Oct. 30, 2017

Pilnvarots sastādīt tehnisko failu:
Alexander Krug, Izpilddirektors
Techtronic Industries GmbH
Max-Eyth-Straße 10, 71364 Winnenden, Germany

ET EC VASTAVUSDEKLARATSIOON

Techtronic Industries GmbH
Max-Eyth-Straße 10, 71364 Winnenden, Germany

Kinnitame, et see toode

Hübriidpūhur
Mark: RYOBI
Mudeli number: OBL1820H
Seerianumbri vahemik: 44439402000001 - 44439402999999

vastab järgmistele Euroopa direktiividele ja harmoniseeritud standarditele
2006/42/EC, 2014/30/EU, 2000/14/EC, 2005/88/EC, 2011/65/EU,
EN 60335-1:2012+A11:2014, EN 50636-2-100:2014,
EN 55014-1:2017, EN 55014-2:2015, EN 61000-3-2:2014, EN
61000-3-3:2013, EN 62233:2008, EN 50581:2012

Mõõdetud helivõimsuse tase: 91,0 dB(A)
Garanteeritud helivõimsuse tase: 94 dB(A)
Vastavushindamine vastavalt lisale V direktiivis 2000/14/EC muudetud direktiiviga
2005/88/EC.

Andrew John Eyre (BEng, CEng, MIET)
Asepresident Standardiseerimise Ja Ohutuse Alal
Winnenden, Oct. 30, 2017

Tehnilise faili koostamiseks volitatud isik:
Alexander Krug, Tegevdirektor
Techtronic Industries GmbH
Max-Eyth-Straße 10, 71364 Winnenden, Germany

LT EC ATITIKTIKIS DEKLARACIJA

Techtronic Industries GmbH
Max-Eyth-Straße 10, 71364 Winnenden, Germany

Mes pareiškiame, kad šie produktai

Hibridinis lapų nupūtimo įtaisas
Prekės ženklas: RYOBI
Modelio numeris: OBL1820H
Serijinio numerio diapazonas: 44439402000001 - 44439402999999

pagamintas laikantis toliau nurodytųjų Europos Direktyvų ir darniųjų standartų
2006/42/EC, 2014/30/EU, 2000/14/EC, 2005/88/EC, 2011/65/EU,
EN 60335-1:2012+A11:2014, EN 50636-2-100:2014,
EN 55014-1:2017, EN 55014-2:2015, EN 61000-3-2:2014, EN
61000-3-3:2013, EN 62233:2008, EN 50581:2012

Išmatuotas akustinis lygis: 91,0 dB(A)
Garantuotas akustinis lygis: 94 dB(A)
Atitikties įvertinimo metodas pagal direktyvos 2000/14/EC, V Priedą su pataisomis
2005/88/EC.

Andrew John Eyre (BEng, CEng, MIET) Kontrolės Ir
Saugos Viceprezidentas Winnenden, Oct. 30, 2017

[galiotas sudaryti techninį failą:
Alexander Krug, Generalinis Direktorius Techtronic
Industries GmbH
Max-Eyth-Straße 10, 71364 Winnenden, Germany

HR EC IZJAVA O USKLADENOSTI

Techtronic Industries GmbH
Max-Eyth-Straße 10, 71364 Winnenden, Germany

Ovime izjavljujemo da su proizvodi

Hibridna puhalica
Marka: RYOBI
Broj modela: OBL1820H
Raspon serijskog broja: 44439402000001 - 44439402999999

usklađen sa sljedećim Europskim Direktivama i usklađenim normama
2006/42/EC, 2014/30/EU, 2000/14/EC, 2005/88/EC, 2011/65/EU,
EN 60335-1:2012+A11:2014, EN 50636-2-100:2014,
EN 55014-1:2017, EN 55014-2:2015, EN 61000-3-2:2014, EN
61000-3-3:2013, EN 62233:2008, EN 50581:2012

Izmjerena razina zvučne snage: 91,0 dB(A)
Jamčena razina zvučne snage: 94 dB(A)
Metoda procjene usklađenosti prema Dodatku V Direktive 2000/14/EC navedeno
u 2005/88/EC.

Andrew John Eyre (BEng, CEng, MIET)
Potpredsjednik za Pravila i Sigurnost Winnenden,
Oct. 30, 2017

Ovlašten da sastavi tehničku datoteku: Alexander
Krug, Direktor Upravljanja
Techtronic Industries GmbH
Max-Eyth-Straße 10, 71364 Winnenden, Germany

SL IZJAVA EC O SKLADNOSTI

Techtronic Industries GmbH
Max-Eyth-Straße 10, 71364 Winnenden, Germany

Izjavljamo, da je izdelek
Hibridni puhalnik
Znamka: RYOBI
Številka modela: OBL1820H
Razpon serijskih števil: 44439402000001 - 44439402999999

v skladu s sledečimi evropskimi direktivami in harmoniziranimi standardi
2006/42/EC, 2014/30/EU, 2000/14/EC, 2005/88/EC, 2011/65/EU,
EN 60335-1:2012+A11:2014, EN 50636-2-100:2014,
EN 55014-1:2017, EN 55014-2:2015, EN 61000-3-2:2014, EN
61000-3-3:2013, EN 62233:2008, EN 50581:2012

Izmerjena raven zvočne moči: 91,0 dB(A)
Zajamčena raven zvočne moči: 94 dB(A)
Način ugotavljanja skladnosti z aneksom V direktive 2000/14/EC ki je bila spremenjena z 2005/88/EC.


Andrew John Eyre (BEng, CEng, MIET)
Podpredsednik, Zakonodajna In Varnostne Zadeve
Winnenden, Oct. 30, 2017

Pooblaščen oseba za sestavo tehnične dokumentacije:
Alexander Krug, Izvršni Direktor
Techtronic Industries GmbH
Max-Eyth-Straße 10, 71364 Winnenden, Germany

CE


BG ЕС ДЕКЛАРАЦИЯ НА ЗА СЪОТВЕТСТВИЕ

Techtronic Industries GmbH
Max-Eyth-Straße 10, 71364 Winnenden, Germany

С настоящето декларираме, че продуктите
хибриден уред за обдухване
Марка: RYOBI
Номер на модела: OBL1820H
Обхват на серийни номера: 44439402000001 - 44439402999999

отговаря на следните директиви на ЕС и хармонизирани стандарти
2006/42/EC, 2014/30/EU, 2000/14/EC, 2005/88/EC, 2011/65/EU,
EN 60335-1:2012+A11:2014, EN 50636-2-100:2014,
EN 55014-1:2017, EN 55014-2:2015, EN 61000-3-2:2014, EN
61000-3-3:2013, EN 62233:2008, EN 50581:2012

Измерено ниво на шум: 91,0 dB(A)
Гарантирано ниво на шум: 94 dB(A)
Метод за оценяване на съответствието с приложение V Директива 2000/14/EC,
изменена от 2005/88/EC.


Andrew John Eyre (BEng, CEng, MIET)
Вицепрезидент, Правни Услуги И Безопасност
Winnenden, Oct. 30, 2017

Упълномощено лице за съставяне на техническия файл:
Alexander Krug, Изпълнителен Директор
Techtronic Industries GmbH
Max-Eyth-Straße 10, 71364 Winnenden, Germany

CE


SK PREHLÁSENIE O ZHODE EC

Techtronic Industries GmbH
Max-Eyth-Straße 10, 71364 Winnenden, Germany

Týmto vyhlasujeme, že výrobok
Hybridné dúchadlo
Značka: RYOBI
Číslo modelu: OBL1820H
Rozsah sériových čísiel: 44439402000001 - 44439402999999

je v súlade s nasledujúcimi Európskymi smernicami a harmonizovanými normami
2006/42/EC, 2014/30/EU, 2000/14/EC, 2005/88/EC, 2011/65/EU,
EN 60335-1:2012+A11:2014, EN 50636-2-100:2014,
EN 55014-1:2017, EN 55014-2:2015, EN 61000-3-2:2014, EN
61000-3-3:2013, EN 62233:2008, EN 50581:2012

Nameraná úroveň hluku: 91,0 dB(A)
Garantovaná úroveň hluku: 94 dB(A)
Spôsob určenia zhody podľa Dodatku V Smernica 2000/14/EC doplnená o 2005/88/EC.


Andrew John Eyre (BEng, CEng, MIET)
Viceprezident, Regulácia a Bezpečnosť Winnenden,
Oct. 30, 2017

Oprávnená osoba na zostavenie technického súboru:
Alexander Krug, Generálny Riaditeľ
Techtronic Industries GmbH
Max-Eyth-Straße 10, 71364 Winnenden, Germany

CE





