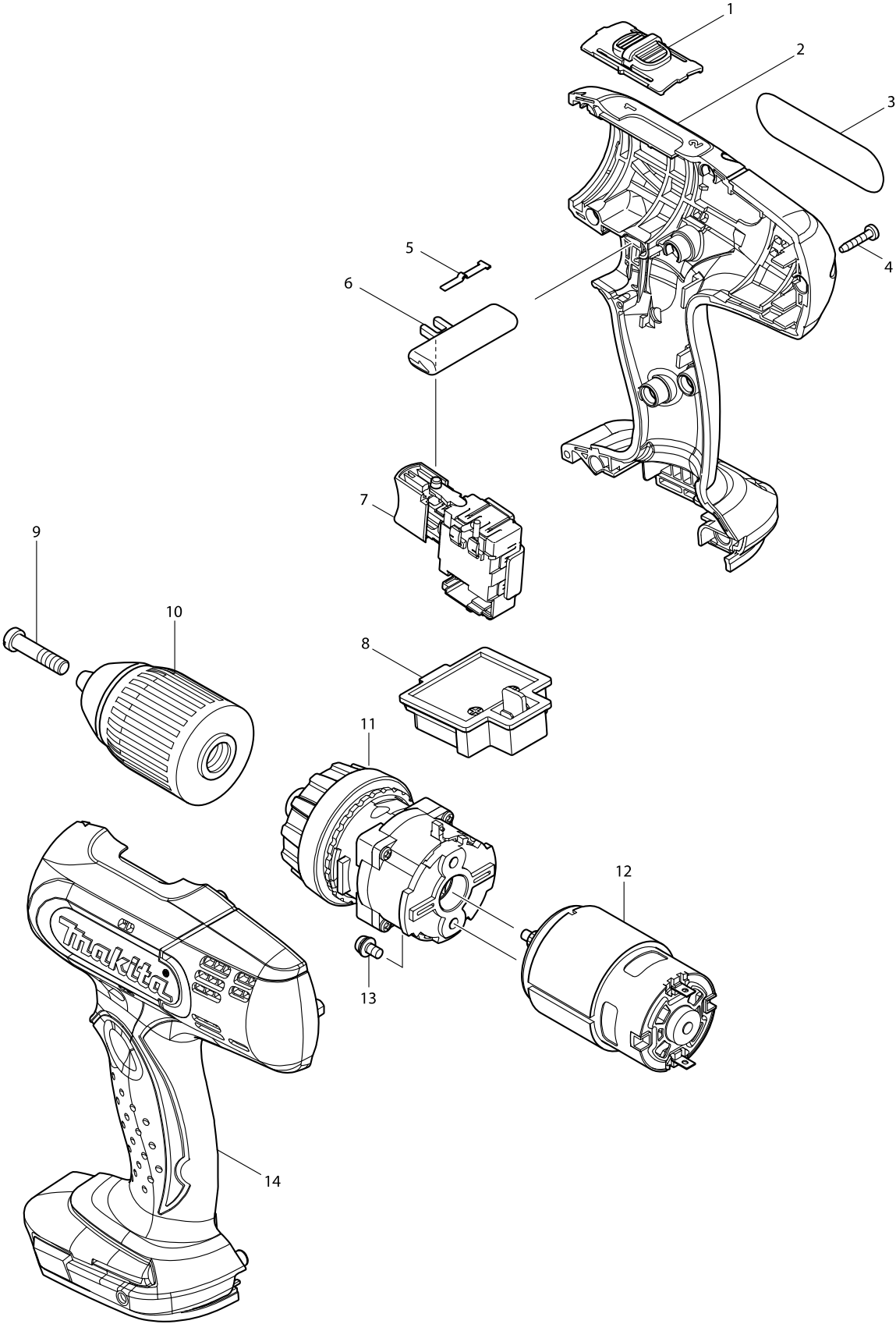


Model No. DDF453 CORDLESS DRIVER DRILL 13MM



Model No. DDF453 CORDLESS DRIVER DRILL 13MM

Item	Parts No.	Description	I/C	Qty	N/O	Opt. 1	Opt. 2	Note
001	125310-5	SPEED CHANGE LEVER ASS'Y		1				
C10	231433-0	COMPRESSION SPRING 4		2				
002	187363-2	HOUSING SET		1				
D10		INC. 14						
003	815G82-9	DDF453 NAME PLATE		1				
004	266130-9	TAPPING SCREW BIND PT 3X16		9				
005	232182-2	LEAF SPRING		1				
006	419250-0	F/R CHANGE LEVER		1				
007	632A23-2	SWITCH UNIT		1				
008	643852-2	TERMINAL		1				
009	251468-5	- FLAT HEAD SCREW M6X22		1				
010	766004-9	KEYLESS DRILL CHUCK 13		1				
011	125483-4	GEAR ASS'Y		1				
012	629937-8	DC MOTOR		1				
013	911108-4	PAN HEAD SCREW M4X8		2				
014	187363-2	HOUSING SET		1				
D10		INC. 2						
A01	784636-0	+- BIT 2-65		1				
A02G	***DC18RC	DC18RC FAST CHARGER		1				
A02H	***DC18SD	DC18SD BATTERY CHARGER		1				
A02J	***DC18SD	DC18SD BATTERY CHARGER		1				
A02K	***DC18RC	DC18RC FAST CHARGER		1				
A02L	***DC18SD	DC18SD BATTERY CHARGER		1				
A02N	***DC18SD	DC18SD BATTERY CHARGER		1				
A02O	***DC18SD	DC18SD BATTERY CHARGER		1				
A02P	***DC18RC	DC18RC FAST CHARGER		1				
A02Q	***DC18RC	DC18RC FAST CHARGER		1				
A03G	194204-5	BATTERY BL1830 SET		2	*			
A03H	194513-2	BATTERY BL1815 SET		2				
A03J	194204-5	BATTERY BL1830 SET		2	*			
A03K	196460-3	BATTERY BL1820 SET		2				
A03L	196235-0	BATTERY BL1815N SET		2	*			
A03N	194513-2	BATTERY BL1815 SET		2				
A03O	196235-0	BATTERY BL1815N SET		2	*			
A03P	196460-3	BATTERY BL1820 SET		2				
A03Q	196235-0	BATTERY BL1815N SET		2	*			
A03-1G	194204-5	BATTERY BL1830 SET	O	2				
A03-1J	194204-5	BATTERY BL1830 SET	O	2				
A03-1L	196235-0	BATTERY BL1815N SET	O	2				
A03-1O	196235-0	BATTERY BL1815N SET	O	2				
A03-1Q	196235-0	BATTERY BL1815N SET	O	2				
A04	450128-8	BATTERY COVER		1				
A05G	158777-2	PLASTIC CARRYING CASE		1				
C10	163455-1	LATCH		2				
C20	419360-3	HANDLE		1				
A05H	158777-2	PLASTIC CARRYING CASE		1				
C10	163455-1	LATCH		2				
C20	419360-3	HANDLE		1				

Model No. DDF453 CORDLESS DRIVER DRILL 13MM

Item	Parts No.	Description	I/C	Qty	N/O	Opt. 1	Opt. 2	Note
A05J	158777-2	PLASTIC CARRYING CASE		1				
C10	163455-1	LATCH		2				
C20	419360-3	HANDLE		1				
A05K	158777-2	PLASTIC CARRYING CASE		1				
C10	163455-1	LATCH		2				
C20	419360-3	HANDLE		1				
A05L	158777-2	PLASTIC CARRYING CASE		1				
C10	163455-1	LATCH		2				
C20	419360-3	HANDLE		1				
A05N	821550-0	CONNECTOR PLASTIC CASE (TYPE2)		1				
C10	453974-8	LATCH		4				
A05O	821550-0	CONNECTOR PLASTIC CASE (TYPE2)		1				
C10	453974-8	LATCH		4				
A05P	821550-0	CONNECTOR PLASTIC CASE (TYPE2)		1				
C10	453974-8	LATCH		4				
A05Q	821550-0	CONNECTOR PLASTIC CASE (TYPE2)		1				
C10	453974-8	LATCH		4				
A06N	837863-9	INNER TRAY		1				
A06O	837863-9	INNER TRAY		1				
A06P	837863-9	INNER TRAY		1				
A06Q	837863-9	INNER TRAY		1				
A07N	803A95-6	DDF453SHJ PLASTIC CASE LABEL		2				
A07O	803B07-5	DDF453SYJ PLASTIC CASE LABEL		2				
A07P	803J01-5	DDF453RAJ PLASTIC CASE LABEL		2				
A07Q	803B03-3	DDF453RYJ PLASTIC CASE LABEL		2				
A08N	803A97-2	DDF453SHJ INDICATION LABEL		1				
A08O	803B06-7	DDF453SYJ INDICATION LABEL		1				
A08P	803J00-7	DDF453RAJ INDICATION LABEL		1				
A08Q	803B02-5	DDF453RYJ INDICATION LABEL		1				
E02	688165-4	LINE FILTER		1				