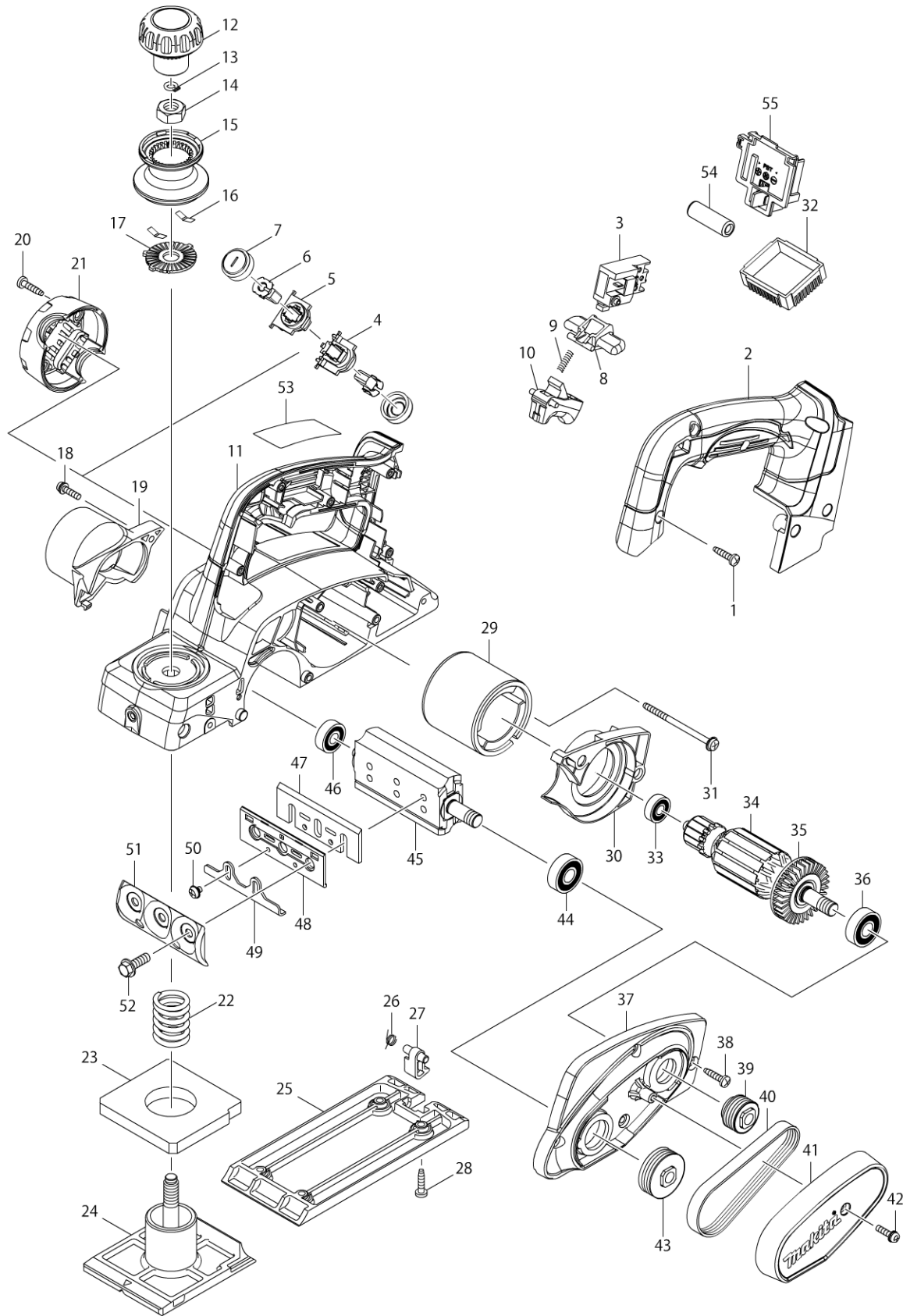


Model No. DKP180 82MM CORDLESS PLANER



Model No. DKP180 82MM CORDLESS PLANER

Item	Parts No.	Description	I/C	Qty	N/O	Opt. 1	Opt. 2	Note
001	266326-2	TAPPING SCREW 4X18		6				
002	140905-3	HANDLE COVER COMPLETE		1				
C10	263005-3	RUBBER PIN 6		1				
003	650631-1	SWITCH		1				
004	643872-6	BRUSH HOLDER		1				
005	643873-4	BRUSH HOLDER		1				
006	194435-6	CARBON BRUSH CB-441		1				
007	643829-7	HOLDER CAP		2				
008	419664-3	LOCK OFF LEVER		1				
009	231469-9	COMPRESSION SPRING 4		1				
010	419665-1	SWITCH LEVER		1				
011	140904-5	MAIN FRAME COMPLETE		1				
C10	263005-3	RUBBER PIN 6		1				
012	451328-3	KNOB COVER		1				
013	961004-6	RETAINING RING S-8		1				
014	264028-4	HEX. NUT M10		1				
015	452480-0	KNOB		1				
016	232185-6	LEAF SPRING		2				
017	346110-2	CAM PLATE		1				
018	911128-8	PAN HEAD SCREW M4X16		1				
019	451329-1	NOZZLE		1				
020	266326-2	TAPPING SCREW 4X18		2				
021	419281-9	REAR COVER		1				
022	231004-3	COMPRESSION SPRING 18		1				
023	421007-7	RUBBER PACKING		1				
024	319011-7	FRONT BASE		1				
025	319009-4	BASE		1				
026	231698-4	TORSION SPRING 7		1				
027	451392-4	FOOT		1				
028	266326-2	TAPPING SCREW 4X18		4				
029	638571-3	YOKE UNIT		1				
030	452479-5	BAFFLE PLATE		1				
031	266292-3	TAPPING SCREW 4X65		2				
032	620264-6	CONTROLLER		1				
033	210017-7	BALL BEARING 607DDW		1				
034	519272-1	ARMATURE ASS'Y DC18V		1				
D10		INC. 33,35,36						
035	240052-1	FAN 46		1				
036	211088-7	BALL BEARING 6000DDW		1				
037	140753-0	BRACKET COMPLETE		1				
C10	263002-9	RUBBER PIN 4		2				
038	266326-2	TAPPING SCREW 4X18		4				
039	222172-3	V-PULLEY 4-24L		1				
040	225007-7	POLY V-BELT 4-241		1				
041	452478-7	BELT COVER		1				
042	911128-8	PAN HEAD SCREW M4X16		1				
043	222173-1	V-PULLEY 4-33.5		1				
044	211088-7	BALL BEARING 6000DDW		1				

Model No. DKP180 82MM CORDLESS PLANER

Item	Parts No.	Description	I/C	Qty	N/O	Opt. 1	Opt. 2	Note
045	161061-6	DRUM		1				
046	211032-4	BALL BEARING 608ZZ		1				
047	A-82921	T.C.T. MINI PLANER BLADE		1				
048	343433-9	SET PLATE F/MINI BLADE		2				
049	345644-2	ADJUST PLATE		2				
050	265132-2	+ PAN HEAD SCREW M4X5		4				
051	187679-5	DRUM PLATE SET		1				
052	251609-3	HEX. FLANGE HEAD BOLT M6X17		6				
053	815K71-8	DKP180 NAME PLATE		1				
054	688165-4	LINE FILTER		1				
055	644808-8	TERMINAL		1				
A01	165581-2	GUIDE RULE		1				
A02	265785-7	THUMB SCREW M5X10		1				
A03	123062-2	BLADE GAUGE ASS'Y		1				
C10	911228-4	PAN HEAD SCREW M5X18		2				
C20	411086-3	GAUGE PLATE		1				
A04	782209-3	SOCKET WRENCH 9		1				
A05E	***DC18RC	DC18RC FAST CHARGER		1				
A05G	***DC18RC	DC18RC FAST CHARGER		1				
A05H	821551-8	CONNECTOR PLASTIC CASE (TYPE3		1				
C10	453974-8	LATCH		4				
A05I	***DC18RC	DC18RC FAST CHARGER		1				
A06E	194204-5	BATTERY BL1830 SET		2				
A06G	194204-5	BATTERY BL1830 SET		2				
A06H	837808-7	INNER TRAY		1				
A06I	196399-0	BATTERY BL1840 SET		2				
A07E	450128-8	BATTERY COVER		1				
A07G	450128-8	BATTERY COVER		1				
A07H	803H80-1	DKP180ZJ INDICATION LABEL		1				
A07I	450128-8	BATTERY COVER		1				
A08E	824982-0	PLASTIC CARRYING CASE		1				
C10	162271-8	LATCH		2				
C20	450990-1	HANDLE		1				
A08G	821551-8	CONNECTOR PLASTIC CASE (TYPE3		1				
C10	453974-8	LATCH		4				
A08H	803H81-9	DKP180ZJ PLASTIC CASE LABEL		2				
A08I	821551-8	CONNECTOR PLASTIC CASE (TYPE3		1				
C10	453974-8	LATCH		4				
A09E	837295-0	INNER TRAY		1				
A09G	837808-7	INNER TRAY		1				
A09I	837808-7	INNER TRAY		1				
A10G	803H78-8	DKP180RFJ INDICATION LABEL		1				
A10I	804G41-8	DKP180RMJ INDICATION LABEL		1				
A11G	803H79-6	DKP180RFJ PLASTIC CASE LABEL		2				
A11I	804G42-6	DKP180RMJ PLASTIC CASE LABEL		2				