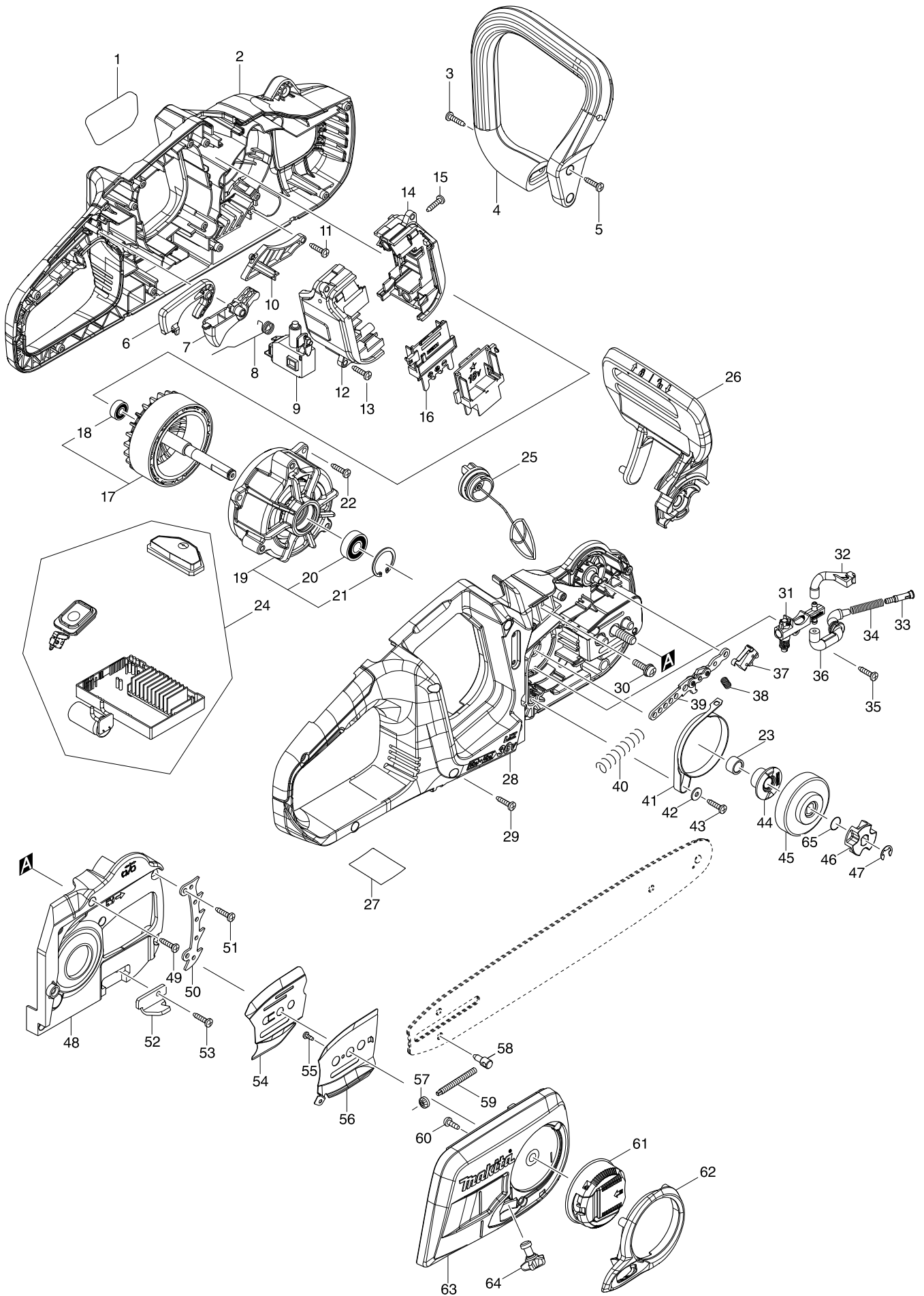


# Model No. DUC303 300MM CORDLESS CHAIN SAW



# Model No. DUC303 300MM CORDLESS CHAIN SAW

Item	Parts No.	Description	I/C	Qty	N/O	Opt. 1	Opt. 2	Note
001	810R16-3	DUC303 MODEL NO. LABEL		1				
002	183F61-2	HOUSING SET		1				
C10	812D15-7	CAUTION LABEL		1				
D10		INC. 28						
003	266326-2	TAPPING SCREW 4X18		2				
004	457007-1	FRONT HANDLE		1				
005	266326-2	TAPPING SCREW 4X18		2				
006	457013-6	CATCH LEVER		1				
007	457006-3	SWITCH LEVER		1				
008	232318-3	TORSION SPRING 10		1				
009	650781-2	SWITCH C3JW-6B-P		1				
010	457010-2	HOUSING L COVER		1				
011	266326-2	TAPPING SCREW 4X18		1				
012	183F15-9	TERMINAL BOX SET		1				
C10	263005-3	RUBBER PIN 6		4				
D10		INC. 14						
013	266326-2	TAPPING SCREW 4X18		4				
014	183F15-9	TERMINAL BOX SET		1				
C10	263005-3	RUBBER PIN 6		4				
D10		INC. 12						
015	266326-2	TAPPING SCREW 4X18		2				
016	643874-2	TERMINAL		2				
017	519411-3	ROTOR ASS'Y		1				
D10		INC. 18						
018	210028-2	BALL BEARING 606ZZ		1				
019	592H45-5	STATOR ASS'Y		1				
D10		INC. 20,21						
020	210059-1	BALL BEARING 6000DDW		1				
021	962105-3	RETAINING RING R-26		1				
022	266326-2	TAPPING SCREW 4X18		3				
023	257402-3	SLEEVE 10		1				
024	144254-0	CONTROLLER COMPLETE		1				
025	168399-0	TANKCAP COMPLETE		1				
026	457022-5	FRONT HAND GUARD		1				
027	852V49-6	DUC303 NAME PLATE		1				
028	183F61-2	HOUSING SET		1				
C10	812D15-7	CAUTION LABEL		1				
D10		INC. 2						
029	266326-2	TAPPING SCREW 4X18		8				
030	911233-1	PAN HEAD SCREW M5X20		3				
031	142156-4	OIL PUMP COMPLETE		1				
032	424904-6	CONNECTOR B		1				
033	452666-6	NIPPLE		1				
034	234207-8	COMPRESSION SPRING 6		1				
035	266326-2	TAPPING SCREW 4X18		1				
036	424903-8	CONNECTOR A		1				
037	632H47-0	SWITCH UNIT		1				
038	231298-0	COMPRESSION SPRING 6		1				

**Model No. DUC303 300MM CORDLESS CHAIN SAW**

Item	Parts No.	Description	I/C	Qty	N/O	Opt. 1	Opt. 2	Note
039	163448-8	LINKPLATE COMPLETE		1				
040	232319-1	COMPRESSION SPRING 9		1				
041	345454-7	BRAKE BAND		1				
042	267195-4	FLAT WASHER 4		1				
043	266326-2	TAPPING SCREW 4X18		1				
044	221427-3	WORM GEAR		1				
045	161526-8	BRAKE DRUM COMPLETE		1				
046	221464-7	SPROCKET 6		1				
047	961013-5	STOP RING E-7		1				
048	457004-7	HOUSING R COVER		1				
049	266326-2	TAPPING SCREW 4X18		4				
050	347078-5	SPIKE BUMPER		1				
051	266326-2	TAPPING SCREW 4X18		2				
052	347079-3	CHAIN CATCHER		1				
053	266326-2	TAPPING SCREW 4X18		1				
054	346694-0	GUIDE PLATE ES		1				
055	266166-8	TAPPING SCREW CT 3X8		1				
056	346699-0	GUIDE PLATE CS		1				
057	227496-2	STRAIGHT BEVEL GEAR 14		1				
058	326310-0	ADJUST PIN		1				
059	326312-6	ADJUST SCREW		1				
060	266427-6	TAPPING SCREW 4X12		3				
061	142235-8	NUT COMPLETE		1				
062	454519-5	NUT COVER		1				
063	457000-5	SPROCKET COVER		1				
064	142288-7	WHEEL COMPLETE		1				
C10	213011-8	O RING 7		1				
065	213060-5	O RING 10		1				
A02	165245-8	GUIDE BAR		1				
A03	419288-5	CHAIN COVER		1				
A04	196740-7	SAW CHAIN SET		1				
A05B	***DC18RD	DC18RD TWO PORT FAST CHARGER		1				
A06B	197280-8	BATTERY BL1850B SET		2				