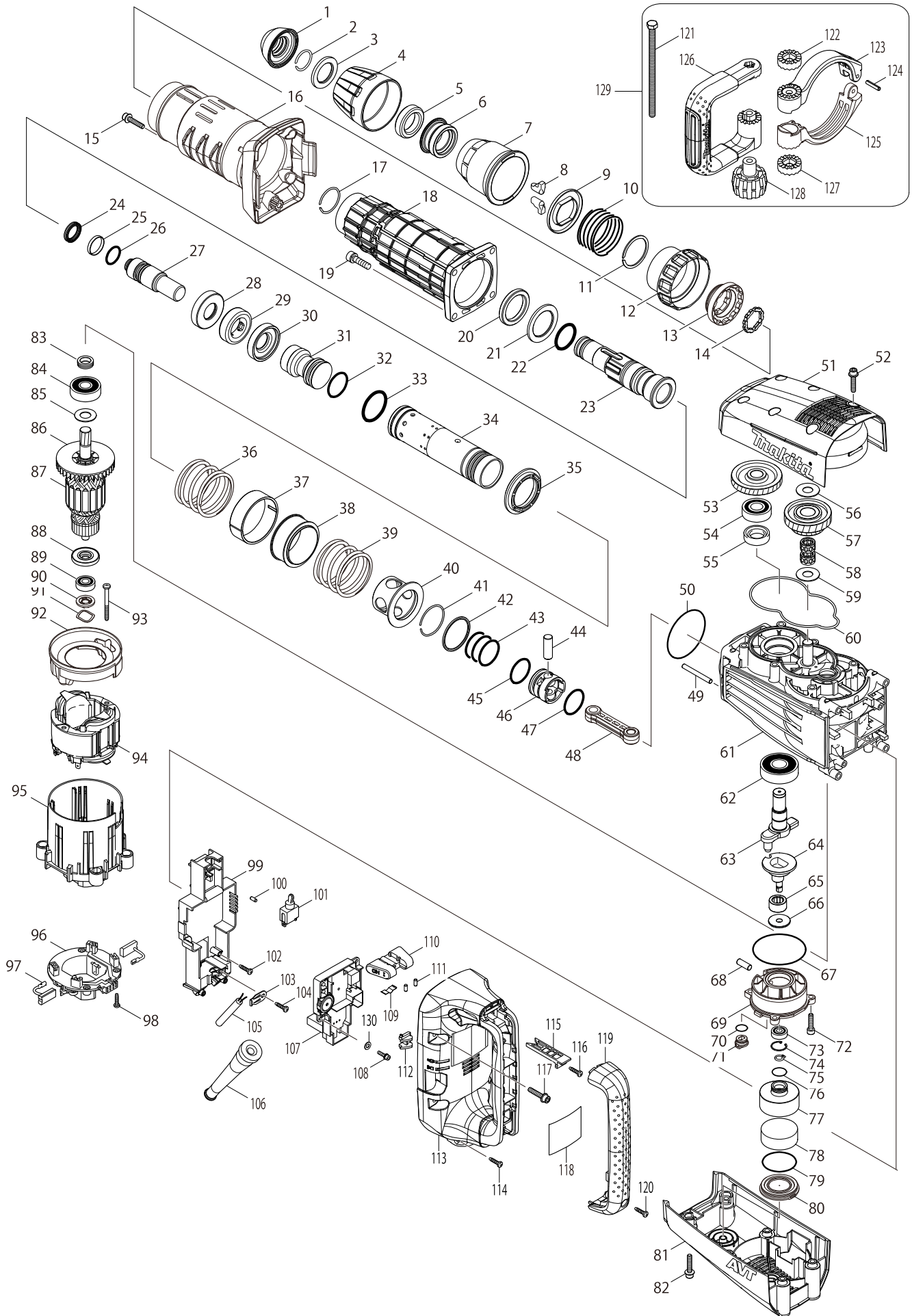


# Model No. HM1214C DEMOLITION HAMMER



# Model No. HM1214C DEMOLITION HAMMER

Item	Parts No.	Description	I/C	Qty	N/O	Opt. 1	Opt. 2	Note
001	424165-8	TOOL HOLDER CAP		1				
002	233973-4	RING SPRING 26		1				
003	267386-7	FLAT WASHER 30		1				
004	450894-7	CHUCK COVER		1				
005	262147-0	RUBBER RING 30		1				
006	324987-5	CHUCK RING		1				
007	450895-5	RELEASE COVER		1				
008	310279-8	TOOL RETAINER		2				
009	346015-6	SPRING GUIDE		1				
010	234086-4	COMPRESSION SPRING 56		1				
011	961232-3	RETAINING RING WR-45		1				
012	450893-9	CHANGE RING COVER		1				
013	324969-7	CHANGE RING		1				
014	324988-3	LOCK RING		1				
015	266499-1	H.S HEAD BOLT M6X30 WITH GM		1				
016	451113-4	BARREL COVER		1				
017	233970-0	RING SPRING 35		1				
018	158984-7	BARREL COMPLETE		1	*			
018-1	141786-8	BARREL COMPLETE	<	1				
019	266010-9	HEX. SOCKET HEAD BOLT M8X30		4				
020	262148-8	RUBBER RING 39		1				
021	267387-5	FLAT WASHER 39		1				
022	213079-4	O-RING 35.5		1				
023	324985-9	TOOL HOLDER		1				
024	213980-3	X-RING 21		1				
025	213431-6	FLUORIDE RING 28		1				
026	213394-6	O RING 23		1				
027	325681-2	IMPACT BOLT		1				
028	324993-0	SHOULDER SLEEVE		1				
029	262149-6	RUBBER RING 24		1				
030	324993-0	SHOULDER SLEEVE		1				
031	325680-4	STRIKER		1				
032	213499-2	O-RING 31.5		1				
033	213581-7	O-RING 44		1				
034	331856-3	CYLINDER 40		1				
035	451110-0	CYLINDER GUIDE		1				
036	234107-2	COMPRESSION SPRING 58		1				
037	451103-7	WEIGHT GUIDE		1				
038	331854-7	COUNTER WEIGHT		1				
039	234107-2	COMPRESSION SPRING 58		1				
040	325661-8	SLIDE SLEEVE		1				
041	231985-1	RING SPRING 43		1				
042	257297-4	RING 45		1				
043	213510-0	O RING 36		3				
044	268121-6	PIN 12		1				
045	213499-2	O-RING 31.5		1				
046	450961-8	PISTON		1				
047	213149-9	O RING 35		1				

# Model No. HM1214C DEMOLITION HAMMER

Item	Parts No.	Description	I/C	Qty	N/O	Opt. 1	Opt. 2	Note
048	450890-5	CONNECTING ROD		1				
049	268235-1	PIN 6		1				
050	213754-2	O RING 71		1				
051	451115-0	GEAR COVER		1				
052	266499-1	H.S HEAD BOLT M6X30 WITH GM		6				
053	226699-5	HELICAL GEAR 52		1				
054	211256-2	BALL BEARING 6203LLB		1	*			
054-1	211290-2	BALL BEARING 6203ZZ	O	1				
055	213313-2	OIL SEAL 20		1				
056	267166-1	FLAT WASHER 14		1				
057	226155-5	GEAR COMPLETE 34-48		1				
058	212159-3	NEEDLE CAGE 1412		2				
059	267166-1	FLAT WASHER 14		1				
060	424196-7	SEAL RING		1				
061	158983-9	CRANK HOUSING COMPLETE		1				
062	211327-5	BALL BEARING 6304LLU		1				
063	325659-5	CRANK SHAFT		1				
064	325660-0	COUNTER SHAFT		1				
065	212225-6	NEEDLE BEARING 1613		1				
066	325662-6	SHOULDER WASHER 8		1				
067	213754-2	O RING 71		1				
068	268222-0	PIN 8		1				
069	158985-5	BEARING BOX COMPLETE		1				
070	213176-6	O RING 14		1				
071	451104-5	GREASE CAP		1				
072	266087-4	HEX.BOLT M6X25		3				
073	211032-4	BALL BEARING 608ZZ		1				
074	962112-6	RETAINING RING R-22		1				
075	961004-6	RETAINING RING S-8		1				
076	213262-3	O RING 18		1				
077	451108-7	FILTER CASE		1				
078	443147-1	FILTER		1				
079	213569-7	O RING 45		1				
080	451109-5	FILTER CASE COVER		1				
081	451116-8	REAR COVER		1				
082	266499-1	H.S HEAD BOLT M6X30 WITH GM		6				
083	331855-5	SEALING SCREW		1				
084	211249-9	BALL BEARING 6302LLU		1				
085	267397-2	FLAT WASHER 15		1				
086	240003-4	FAN 80		1				
087	517838-1	ARMATURE ASSEMBLY 220-240V		1				
D10		INC. 84-86,88,89						
088	681642-5	INSULATION WASHER		1				
089	210059-1	BALL BEARING 6000DDW		1				
090	451107-9	WASHER GUIDE		1				
091	267809-5	WAVE WASHER 19		1				
092	451111-8	BAFFLE PLATE		1				
093	266095-5	TAPPING SCREW 5X55		2				

# Model No. HM1214C DEMOLITION HAMMER

Item	Parts No.	Description	I/C	Qty	N/O	Opt. 1	Opt. 2	Note
094	636303-2	FIELD 220-240V		1				
095	451117-6	MOTOR HOUSING		1				
096	638447-4	BRUSH HOLDER UNIT		1	*			
096-1	632D00-2	BRUSH HOLDER UNIT	<	1				
097	194412-8	CARBON BRUSH CB-171		1	*			
097-1	195844-2	CARBON BRUSH CB-175	O	1				
098	265995-6	TAPPING SCREW 4X18		4				
099	158986-3	CONTROLLER COVER COMPLETE		1	*			
099-1	158986-3	CONTROLLER COVER COMPLETE	S	1				
100	263027-3	RUBBER PIN 4		1				
101	651423-1	SWITCH		1				
102	265995-6	TAPPING SCREW 4X18		2				
103	687169-3	STRAIN RELIEF		1				
104	265995-6	TAPPING SCREW 4X18		1				
105	695123-3	POWER SUPPLY CORD 1.5-2-4.0		1				
106	682560-0	CORD GUARD 10		1				
107	631883-3	CONTROLLER		1	*			
107-1	631883-3	CONTROLLER	S	1	*			
107-2	620226-4	CONTROLLER	S	1				
108	265490-6	HEX. SOCKET HEAD BOLT M4X16		2	*			
108-1	266834-3	H.S.H.BOLT M4X18 WITH GM	S	2				
109	232209-8	LEAF SPRING		1				
110	451112-6	SLIDE LEVER		1				
111	263027-3	RUBBER PIN 4		2				
112	451105-3	LENS		1				
113	451118-4	HANDLE		1				
114	265995-6	TAPPING SCREW 4X18		1				
115	451106-1	SWITCH LEVER		1				
116	265995-6	TAPPING SCREW 4X18		1				
117	266499-1	H.S HEAD BOLT M6X30 WITH GM		4				
118	866749-0	HM1214C NAME PLATE		1				
119	451119-2	HANDLE COVER		1				
120	265995-6	TAPPING SCREW 4X18		2				
121	265439-6	HEX. BOLT M8X150		1				
122	417002-3	SIDE HANDLE CAM		1				
123	318430-4	SIDE HANDLE BASE 90A		1				
124	951166-8	SPRING PIN 5-24		1				
125	318431-2	SIDE HANDLE BASE 90B		1				
126	417003-1	SIDE HANDLE		1				
127	417002-3	SIDE HANDLE CAM		1				
128	252640-2	WING NUT M8		1				
129	135283-4	SIDE HANDLE 90 ASSEMBLY		1				
D10		INC. 121-128						
130	941051-3	FLAT WASHER 4		2	*			
130-1	346546-5	PLATE	X	2	*			
131	442180-0	BOTH SIDE ADHESIVE TAPE	S	1	*			
132	126096-4	CONTROLLER ASSEMBLY		1	*			
D10		INC. 99,102,107,131			*			

