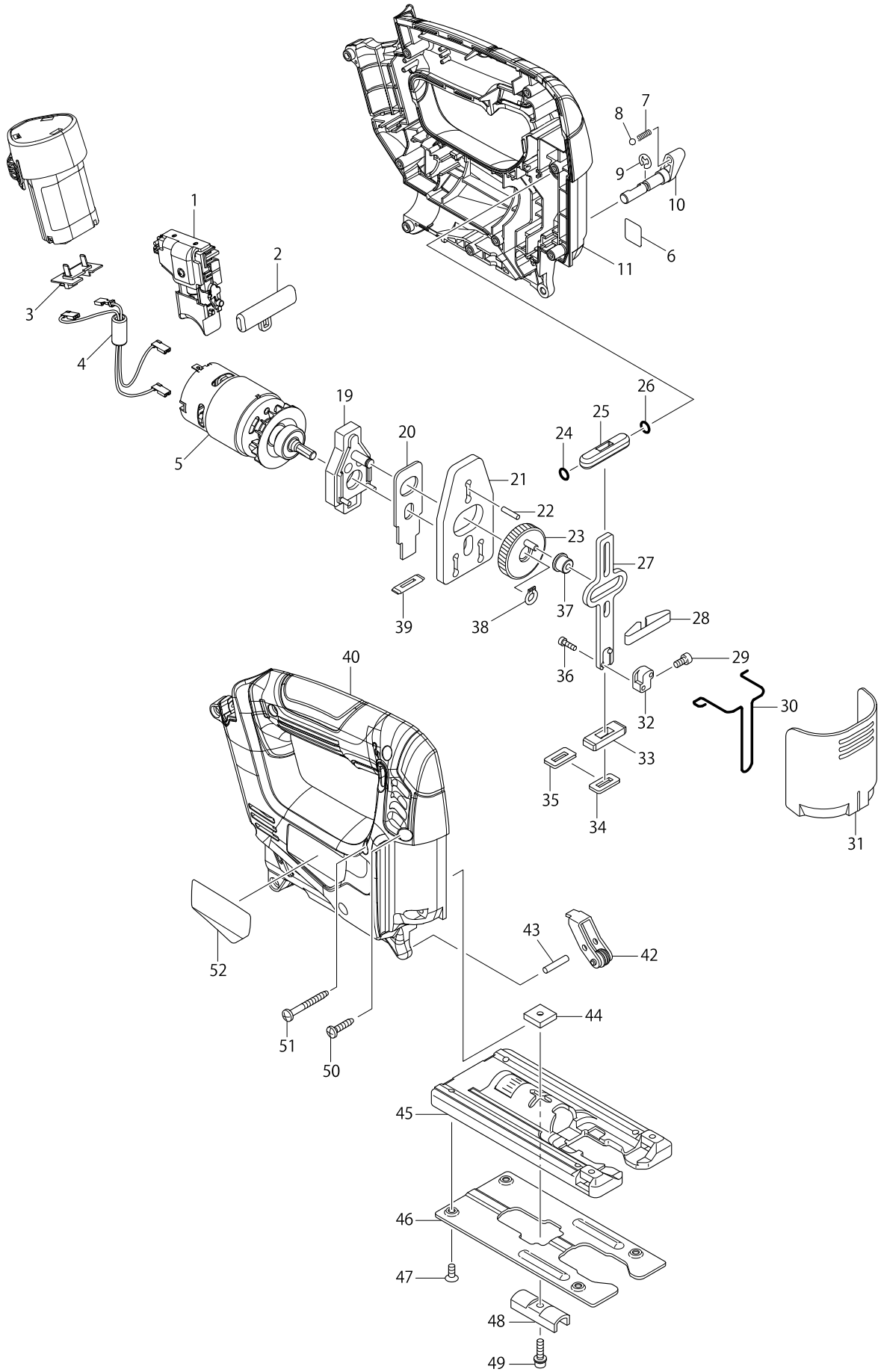


Model No. JV100D CORDLESS JIG SAW



Model No. JV100D CORDLESS JIG SAW

Item	Parts No.	Description	I/C	Qty	N/O	Opt. 1	Opt. 2	Note
001	650679-3	SWITCH C3HW-3A-M		1				
002	417880-1	F/R CHANGE LEVER		1				
003	643830-2	TERMINAL		1				
004	638976-7	LINE FILTER UNIT		1				
005	629926-3	DC MOTOR		1				
007	233151-6	COMPRESSION SPRING 4		1				
008	216008-6	STEEL BALL 4		1				
009	961011-9	STOP RING E-4		1				
010	272267-2	LEVER 19		1				
D10		INC. 40						
011A	187216-5	HOUSING SET		1				
011B	187216-5	HOUSING SET		1				
011C	187216-5	HOUSING SET		1				
011D	187217-3	HOUSING SET		1				
011E	187216-5	HOUSING SET		1				
019	152600-3	BEARING CASE COMPLETE		1				
020	344683-9	PUSH PLATE		1				
021	344614-8	BALANCE PLATE		1				
022	256254-9	PIN 3		1				
023	153260-4	GEAR COMPLETE		1				
024	213038-8	O RING 5		1				
025	313082-6	SLIDER GUIDE		1				
026	213038-8	O RING 5		1				
027	344613-0	SLIDER		1				
028	232183-0	LEAF SPRING		1				
029	922107-1	HEX. SOCKET HEAD BOLT M4X8		1				
030	323748-0	SAFETY WIRE		1				
031	416476-5	DUST COVER		1				
032	313140-8	BLADE CLAMP		1				
033	313086-8	SLIDER SUPPORT		1				
034	423307-1	POLY URETANE SPONGE SEAL		1				
035	344686-3	SEAL PLATE		1				
036	266177-3	HEX. SOCKET HEAD BOLT M3X10		2				
037	257683-9	COLLAR SLEEVE		1				
038	961002-0	RETAINING RING S-6		1				
039	416703-0	DUST SEAL		1				
D10		INC. 11						
040A	187216-5	HOUSING SET		1				
040B	187216-5	HOUSING SET		1				
040C	187216-5	HOUSING SET		1				
040D	187217-3	HOUSING SET		1				
040E	187216-5	HOUSING SET		1				
042	158392-2	RETAINER COMPLETE		1				
043	256117-9	PIN 4		1				
044	343540-8	HOLDER		1				
045	317796-9	BASE		1				
046	345441-6	BASE PLATE		1				
047	912107-9	COUNTERSUNK HEAD SCREW M4X8		4				

Model No. JV100D CORDLESS JIG SAW

Item	Parts No.	Description	I/C	Qty	N/O	Opt. 1	Opt. 2	Note
048	344685-5	CLAMP COMPLETE		1				
049	922128-3	HEX. SOCKET HEAD BOLT M4X16		1				
050	266326-2	TAPPING SCREW 4X18		9				
051	266351-3	TAPPING SCREW 4X35		1				
052	896564-8	JV100D NAME PLATE		1				
A01A	A-85628	JIGSAW BLADE NO.B10		1				
A01B	A-85628	JIGSAW BLADE NO.B10		1				
A01C	A-85628	JIGSAW BLADE NO.B10		1				
A01E	A-85628	JIGSAW BLADE NO.B10		1				
A02A	783201-2	HEX. WRENCH 3		1				
A02B	783201-2	HEX. WRENCH 3		1				
A02C	783201-2	HEX. WRENCH 3		1				
A02E	783201-2	HEX. WRENCH 3		1				
A03B	192732-4	GUIDE RULE SET		1				
C10	165217-3	GUIDE RULE		1				
C20	323802-0	GUIDE PIN		1				
C30	271601-3	KNOB 20		1				
C40	922107-1	HEX. SOCKET HEAD BOLT M4X8		1				
A03C	192732-4	GUIDE RULE SET		1				
C10	165217-3	GUIDE RULE		1				
C20	323802-0	GUIDE PIN		1				
C30	271601-3	KNOB 20		1				
C40	922107-1	HEX. SOCKET HEAD BOLT M4X8		1				
A04B	***DC10WA	DC10WA BATTERY CHARGER		1				
A04C	***DC10WA	DC10WA BATTERY CHARGER		1				
A05B	194550-6	BATTERY BL1013 SET		2				
A05C	194550-6	BATTERY BL1013 SET		2				
A06B	821508-9	PLASTIC CARRYING CASE		1				
C10	162315-4	LATCH		2				
C20	452137-3	HANDLE		1				
A06C	821549-5	CONNECTOR PLASTIC CASE (TYPE1)		1	*			
C10	453974-8	LATCH		4	*			
A06E	821549-5	CONNECTOR PLASTIC CASE (TYPE1)		1				
C10	453974-8	LATCH		4				
A06-1C	821549-5	CONNECTOR PLASTIC CASE (TYPE1)	<	1				
C10	453974-8	LATCH		4				
A07B	890653-1	JV100DWE PLASTIC CASE LABEL		2				
A07C	837665-3	INNER TRAY		1				
A07E	837665-3	INNER TRAY		1				
A08C	800X50-7	JV100DWJ INDICATION LABEL		1				
A08E	803L38-4	JV100DZJ INDICATION LABEL		1				
A09C	800X51-5	JV100DWJ PLASTIC CASE LABEL		2				
A09E	803L39-2	JV100DZJ PLASTIC CASE LABEL		2				